



Installation Instructions: C058

1700\*900\*620mm

**Inspect bath carefully and report any damage or faults before installation. No claims can be entered in to after installation.**



**Protect the bath throughout installation process.**

**Installation must be carried out by suitably qualified tradesman in accordance with the instructions.**

**The quality of this product is in your hands. Please read all the instructions before starting the installation.**

**No installation should take place until all items have been deemed cosmetically acceptable. Once installation commences all products then enter into their governing warranty periods and no returns can be accepted, by commencing with the installation you are accepting the goods cosmetic state with all 'workings' being covered by warranty. (contact us for more information before installing if required)**

# IMPORTANT NOTICE

Before you proceed with fitting your Vidalux bath please read and understand the following:

By commencing testing and installation of the unit you are agreeing to the Terms and Conditions set out by us: copies of which are available by contacting us by email or by telephone (details on the cover of this manual).

You are required to ensure the purchased product dimensions allows for ease of passage to the intended installation area.

Regarding weight tolerances of installation area, it is advisable to contact a builder or refer to Building regulations to ensure the product placement area has sufficient joist/floor support.

1. It is important that you ensure that your purchase has been delivered undamaged. You are required to check the contents and report any damage that you feel needs repairing or replacing within 48hrs of receipt of goods. Items reported damaged after this time WILL be chargeable.
2. The product you have purchased is designed for home DIY fitting. You are only required under the Terms and Conditions to get any electrics feeding the shower installed by a qualified specialist. The product requires connection to electricity and this by law requires a Part P qualified electrician. Failure to provide evidence of this will void the relating product warranty
3. We are a supply only company. If you report to us any damage we will send replacements or solutions to remedy the problem described. We endeavor to fully understand the problem first by asking a series of questions and then propose the solution. We may even ask for digital images to be sent via email to assist the process. The warranty is parts only and does NOT include fitting/inconvenience or other related costs.
4. You are required to ensure that you correctly water test any bath tub before fitting and ensure that you/ your fitter fully tests the unit upon completion and attends to any leaks and faults before he leaves.
5. **All hoses, such as to the valve assembly, shower outputs and air switches and waste are fitted for transport purposes and need to be properly sealed and tightened before use.** During transportation some connections can become dislodged and therefore break any watertight seal, you are required to ensure that your fitter specifically tests for these possible occurrences and seal/fix accordingly.
6. **Do not book fitter until you have inspected the unit. We cannot be held responsible for delays and costs incurred by having to return to fit parts that need supplying.**
7. We cannot be held liable for inconvenience caused due to lack of bathing facilities caused by any delay in receiving your product or whilst awaiting parts.
8. Regarding our sales and technical support: We know our products and their requirements, but we are not qualified plumbers or electricians and accept no liability for claims suggesting the same. You are advised to check the suitability of the product with a professional body. It is the customer responsibility to ensure the product is fit for purpose.
9. A 'Completion Certificate' is included at the end of the manual where you should record the details of your installers - you will need this to record your warranty on our website. You MUST register the product warranty within 90 days following delivery

## ATTENTION

**ALWAYS FIT EASY TO GET TO ISOLATION TAPS ON BOTH THE HOT AND COLD WATER SUPPLY (NOT SUPPLIED). JUST LIKE A DISHWASHER OR WASHING MACHINE, THIS PRODUCT MUST BE ISOLATED WHEN NOT IN USE.**

## REMEMBER:

These baths are designed to be free standing and movable from their location should you have the need to replace anything. ALWAYS USE Flexible braided water inlet pipes (not supplied) at least a metre long (not central heating plastic type!)

Always use a flexible waste pipe from your house supply to the bath .

NEVER FIX with rigid pipes, NEVER FIX the unit to the wall.

# Before you begin



**Assembly requires two persons.**

## **Tools needed to assemble this unit:**

Electric screwdriver with a selection of heads, regular screwdrivers, pipe grips, spanners, spirit level, sharp knife and rubber mallet. Connection of the electrical supply and plumbing may require additional tools.

Do not fully tighten any screw fixings initially during build as this allows the frame to move a little and aid location of all holes and screws; remember to fully tighten before completion and subsequent use. There is a drill bit supplied with the kit, to allow either widening of holes or drilling new holes which you feel cannot be located during construction.

## **Water requirements**

This bath requires two water supplies (1 x hot and 1 x cold) tested to be between 1 and 3 bar, with a flow rate over 7.5 litres per minute.

NOTE: We recommend water pressures over 2 bar to achieve optimum showering results.

## **Gravity Fed systems**

If you have a Gravity fed system, then fitting a Pump will almost certainly be required. Fitting a Shower pump rated over 1.5 bar is necessary as a minimum. Shower pumps MUST be properly sited, installed and commissioned. Incorrectly installed shower pumps will cause adverse affects to your showering and bathing resulting in pulsing or starting and stopping of the pump.

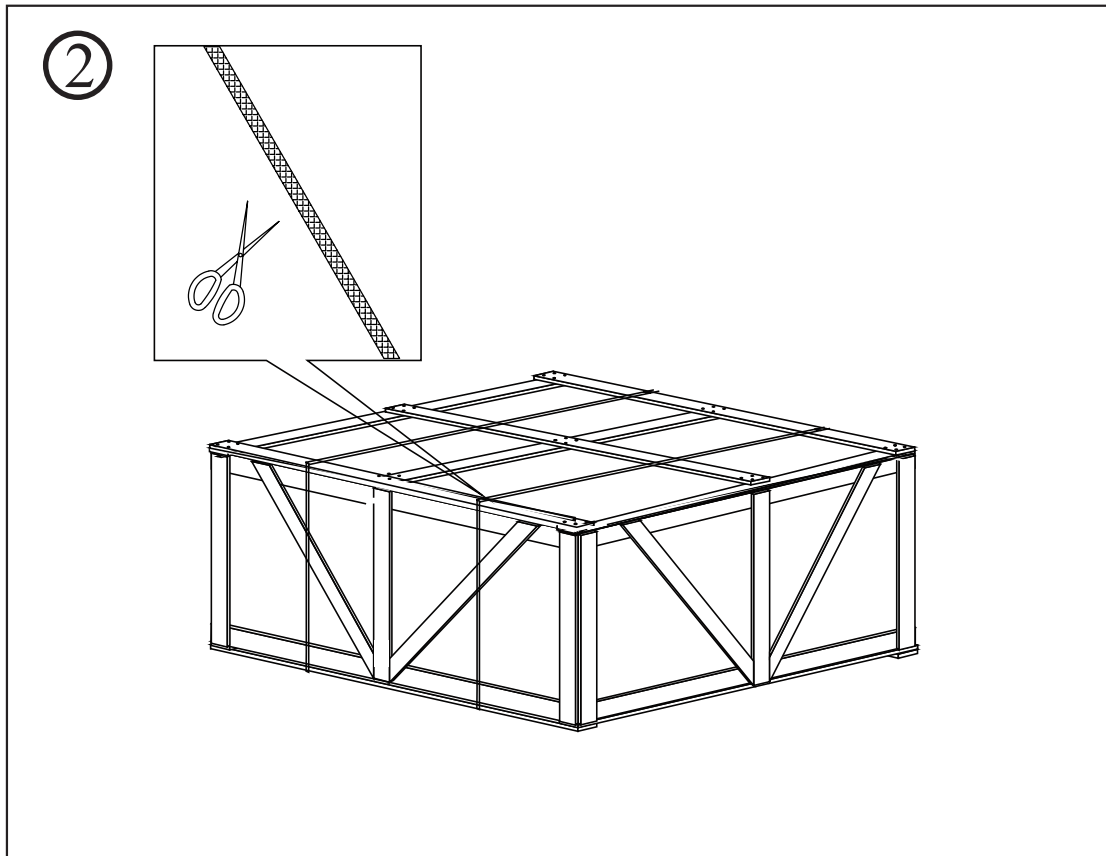
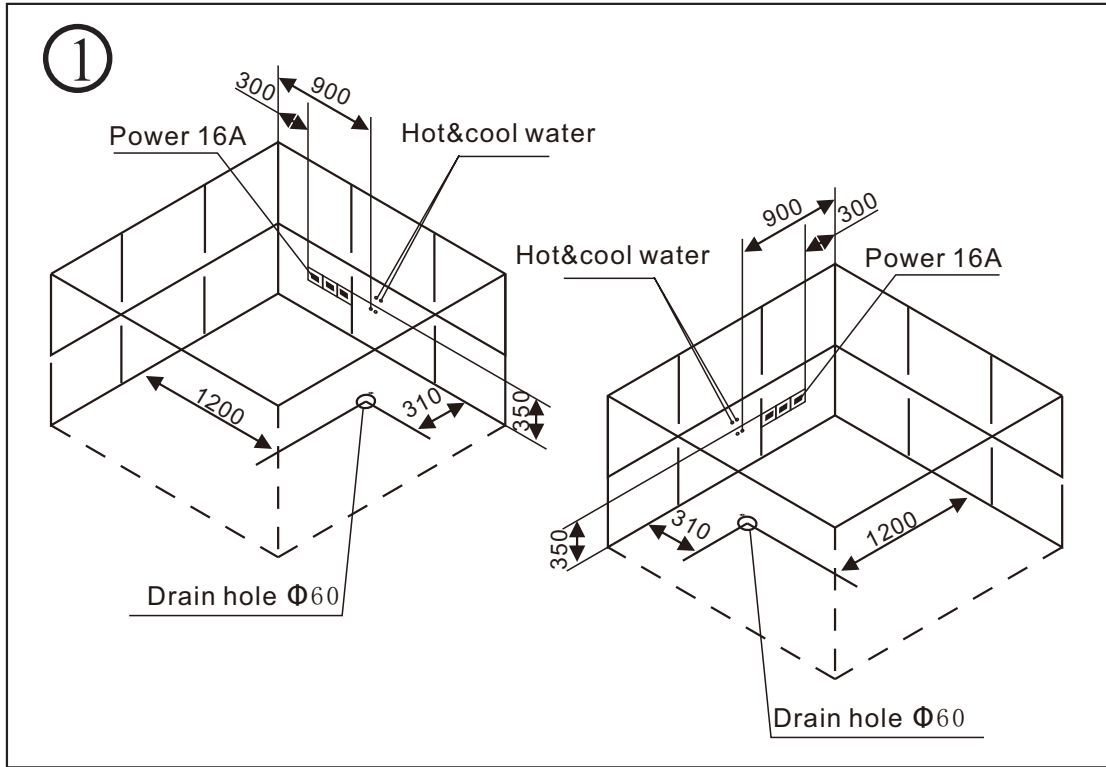
## **Isolating Valves**

You MUST fit isolation valves to the unit on both hot and cold incoming feeds as it enables you to turn off the water supply to the shower when not in use (for example going away on holiday). Additionally isolating valves makes service checks easier than locating the house stop cock.

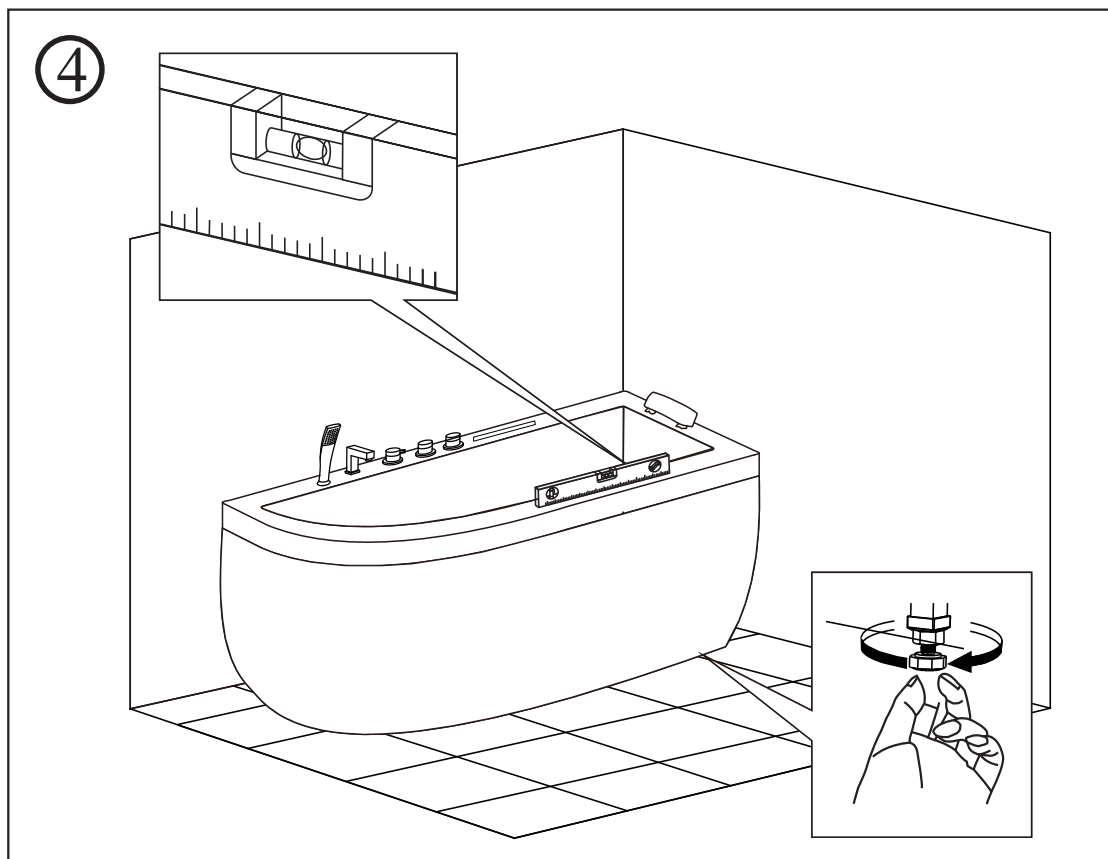
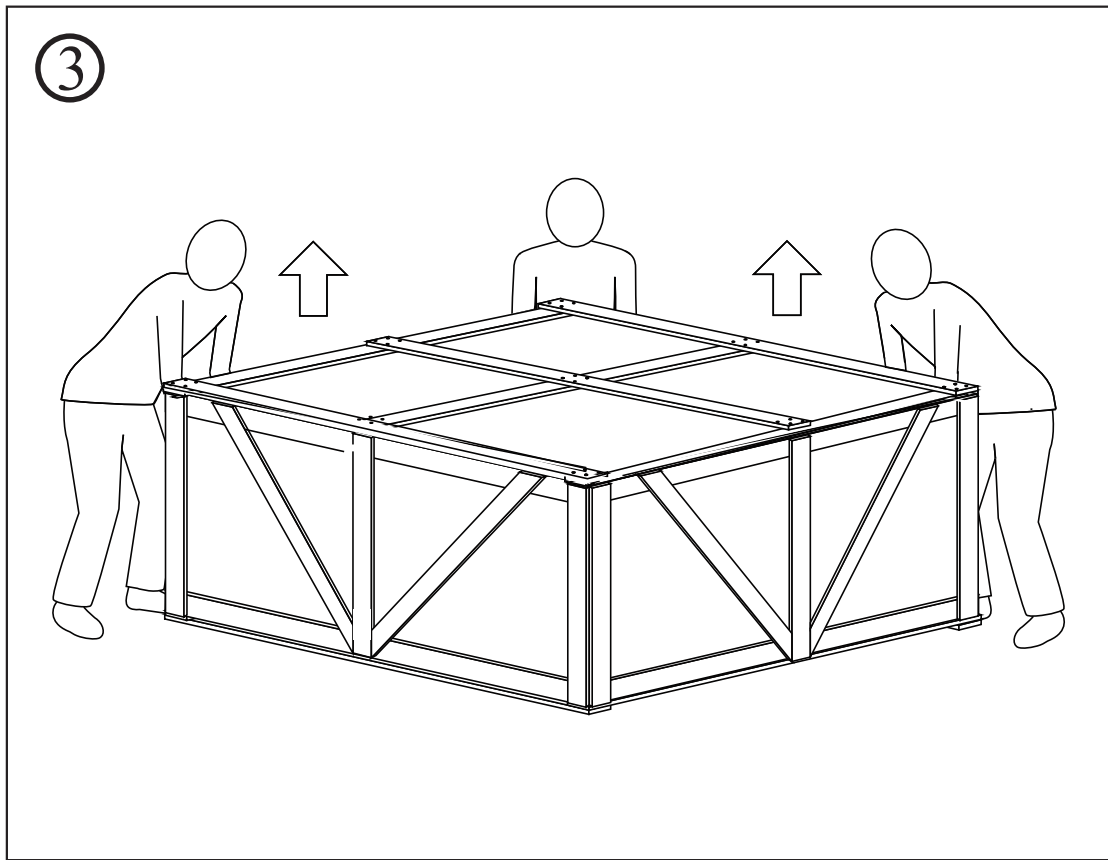
**DUE TO THE NATURE OF THIS PRODUCT WE HIGHLY ADVISE THE PURCHASE AND FITTING OF A WATER SOFTENER**

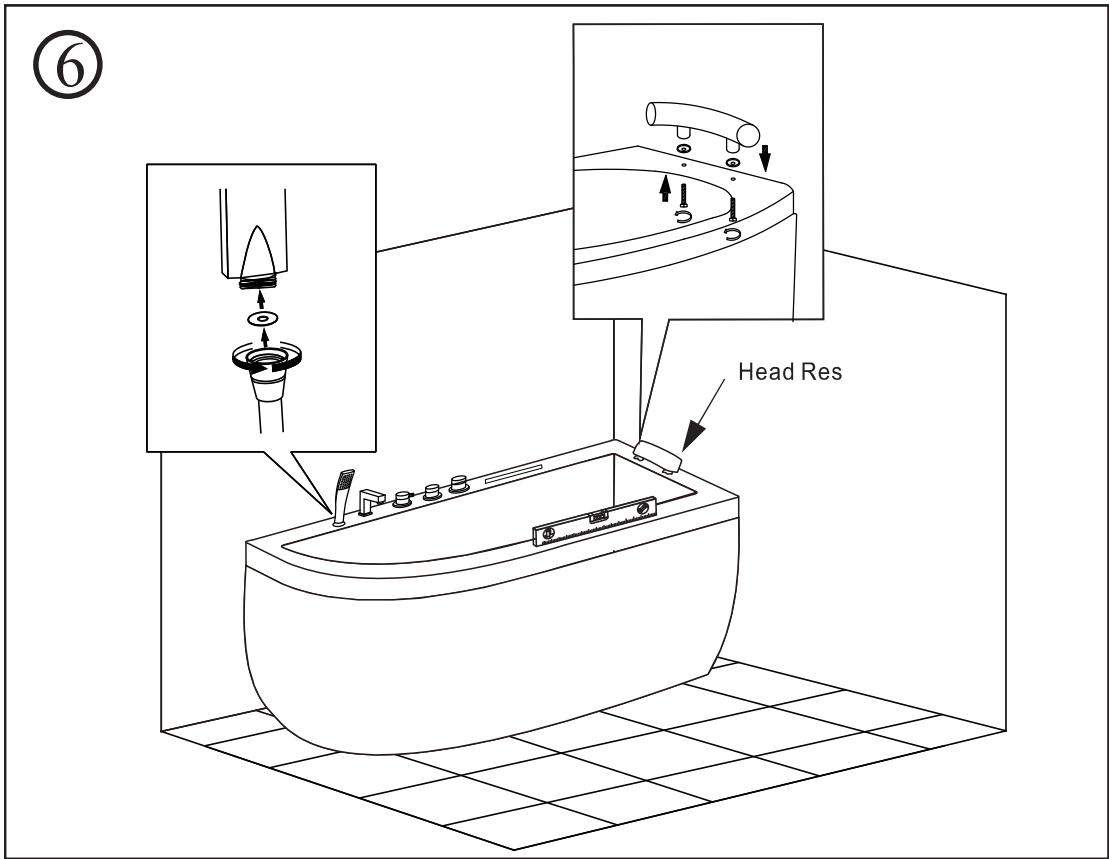
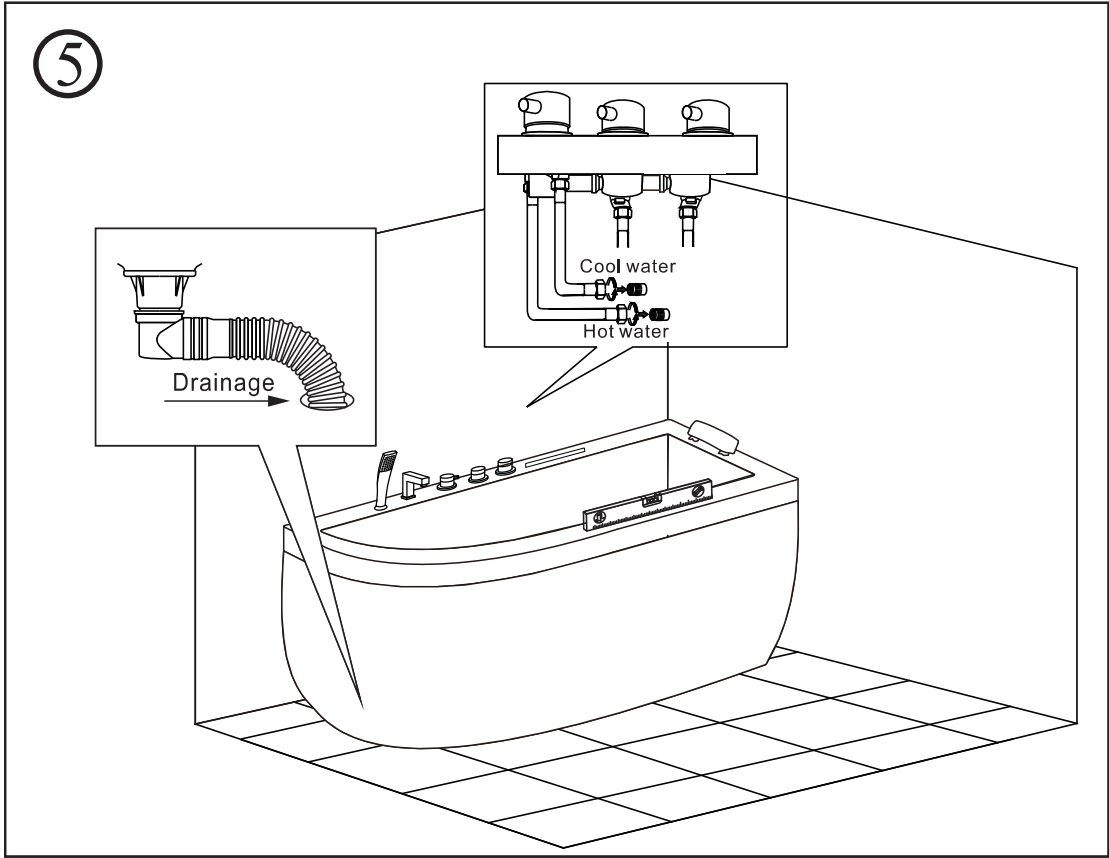
(PLEASE NOTE LIMESCALE BUILD UP MAY CAUSE DAMAGE TO YOUR SHOWER AND WILL NOT BE COVERED UNDER WARRANTY)

# Installation



# Intelligent Sanitary Wares





# Intelligent Sanitary Wares

## Operation of water and electrical parts

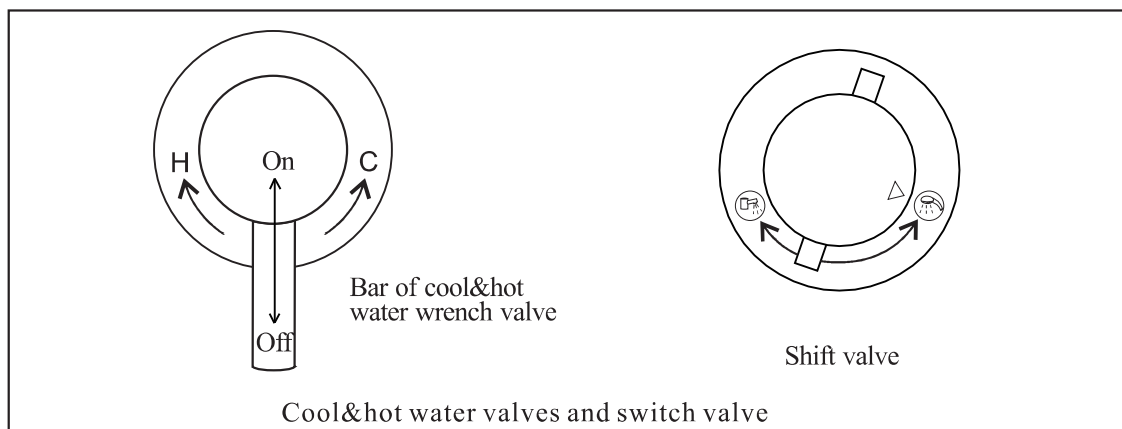
### 1. Water valve and supply

1.1 Turn on the general cool&hot water valve in the bathroom.

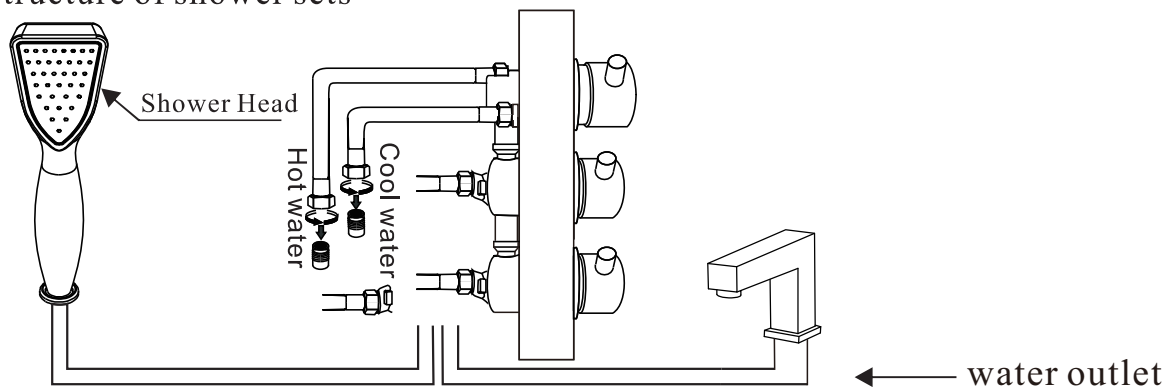
1.2 Make the water overflow by pulling up the bar of the cool&hot water wrench valve; turn it left or right to adjust the water temperature.

1.3 Turn the shift valve left or right to select water overflow from faucet or shower tap, left is shower tap, right is faucet (some models without faucet, which is connect to water pipe cycle system, the water will overflow from nozzle).

1.4 Diagram of cool&hot water valves and switch valve.



### 1.5. Structure of shower sets



## 2.0 Operation of computer control

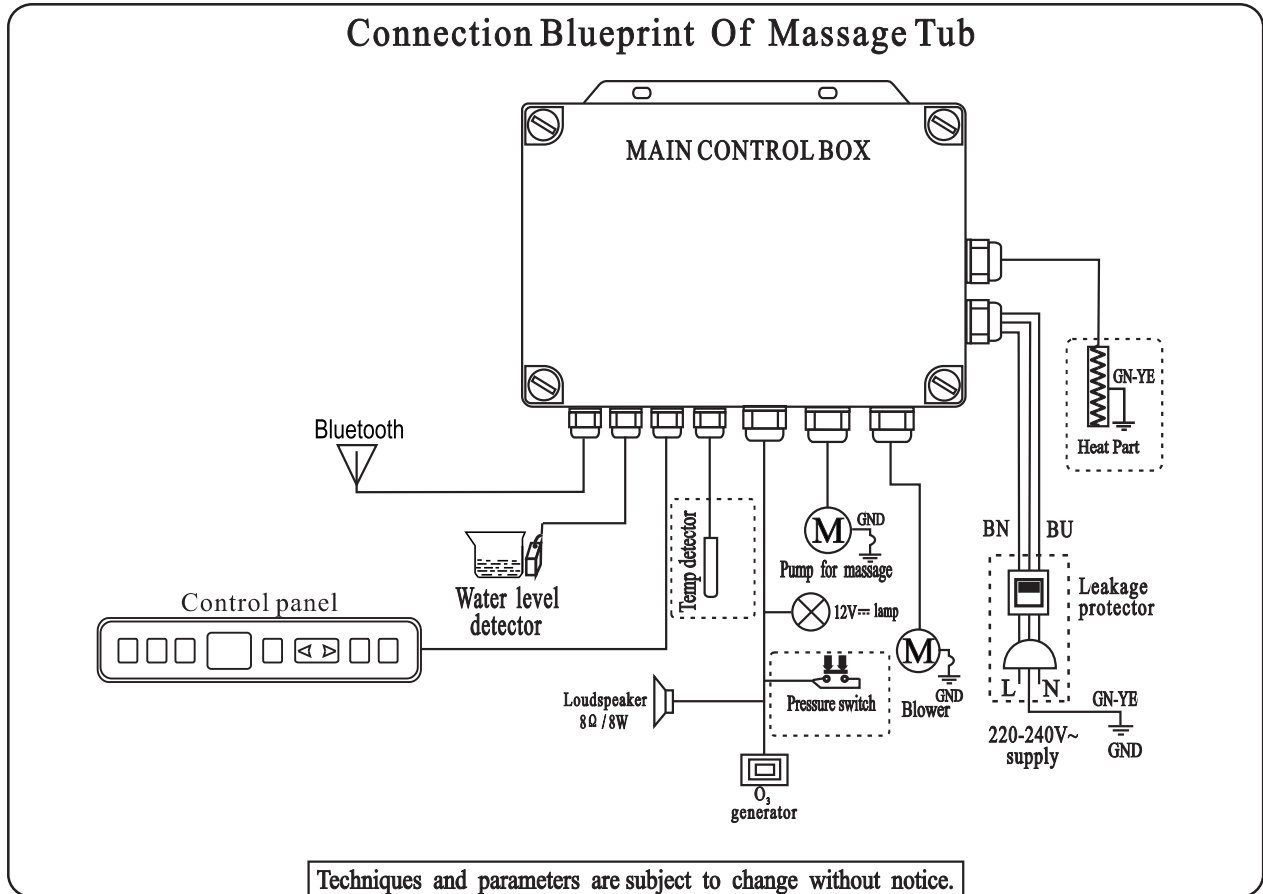
### 2.1 Diagram of control panel

#### **:POWER**

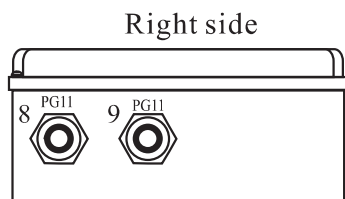
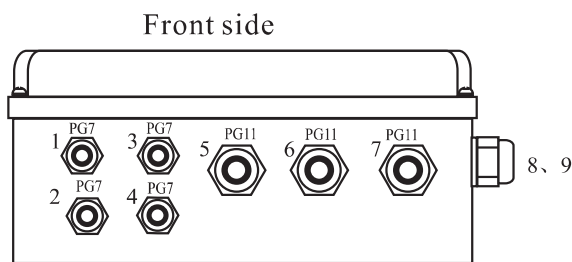
Touch press power key to start panel, LCD flashed, current water temperature and bathing figure sign shows, in 45 minutes, system shuts off automatically, you need to restart the system by pressing the POWER key. Press MEN key as the Timer sign shows on LCD, press Tun+/- key to adjust timer from 1-99 minutes.

# Wiring and operation of computer

## 1. Wiring of power box



## 2. Wire terminals diagram of power box

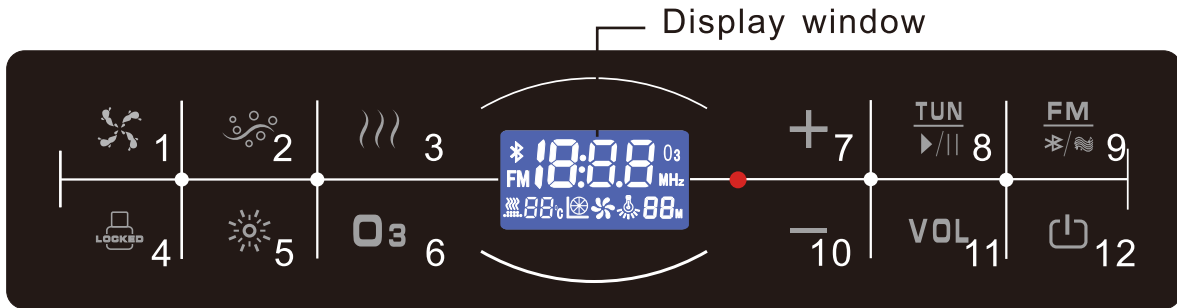


- 1-PG7: Antenna
- 2-PG7: Water level sensor
- 3-PG7: LCD
- 4-PG7: Temperature sensor
- 5-PG11: O<sub>3</sub> Speaker ON/OFF Bottom lamp
- 6-PG11: Water pump
- 7-PG 11: Air blower
- 8-PG11: Power cable
- 9-PG11: Heater



# Manual Norsk H103.

## Bruk av kontrollpanel H103.



- |                         |                                  |
|-------------------------|----------------------------------|
| 1. water pump           | 7. adjusting plus                |
| 2. wind pump            | 8. Frequency button              |
| 3. thermostatic heating | 9. FM radio or blue tooth button |
| 4. lock                 | 10. adjusting minus.             |
| 5. bottom light         | 11. Volume button                |
| 6. ozone sterilization  | 12. Power ON/OFF button          |

# Operation instruction and direction

## 1) Power ON/OFF switch

Push down the switch, the controller is open, its status light is on, and other function can be used only when power is ON.

## 2) Bottom light ON/OFF button

Push down the button, the light is on; repeat the operation, the light is off.

## 3) water pump ON/OFF button

Push down the button, the water pump is on; repeat the operation, the water pump is off.



## 4) wind pump on/off button

Push down the button, the wind pump is on; repeat the operation, the wind pump is off.



## 5) Ozone sterilization button


Push down the button, Ozone sterilization is on; Repeat the operation, O3 will be stopped in 15 minutes when O3 is switch.


## 5) Thermostatic heating

when the water pump is open, you can push down the button , Then the Heater starts to run normally. when it is pressed on long time, you can press  to set the water temperature. The temperature setting range is: 30 to 50 °C. Temperature display window will flash when the temperature is set, And will display current water temperature in few seconds.

## 6) FM Radio & blue tooth ON/OFF

 — Volume adjusting minus and  + Volume adjusting plus button.

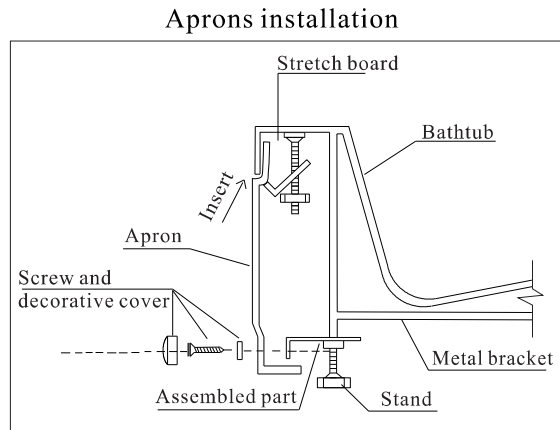
 + — They can turn the radio step by step when they are pressed on short time. They can search the station when they are pressed on long time, it can select memory channel.

Touch the key  again, the blue tooth is on. Open the Blue tooth function of the controller, then search for Blue tooth devices through devices such as mobile phone 00:1F:81:88:88:9E, or home music, which will prompt you to enter password, the universal code is: 000000, if the devices such as mobile phone can't connect to Blue tooth of the controller, please restart your mobile phone and the controller.

Notice: Do not open the water pump When there is not enough water.

## Appurtenance : Aprons installation

- Follow diagram 5 to insert aprons into pontes crevice between stretch board and tub edge  
( notice : properly incline apron to ensure insert go fluently)



- Regulate aprons installation location, with locknuts to tighten aprons to fastener, cover fastener with decorative nuts.
- Put tub on prepared location , insert drainpipe into prepared waterspout, notice : keep inlet depth less than 10cm( if water spout faraway from location , you can lengthen the hose with same diametral hose , but please ensure kerf with plastic sealed against any leakage .)
- Reinstall the apron according to the above procedures in an inverse turn.

# Intelligent Sanitary Wares

## Caution

Don't disconnect the appliance with wet hands;

Don't use or stop the use if the appliance is damaged, especially the supply cord and the case;

Parts containing live parts, except parts supplied with safety extra-low voltage not exceeding 12V, must be inaccessible to a person in the bath;

Earthed appliances must be permanently connected to fixed wiring;

Parts incorporating electrical components, except remote control devices, must be located or fixed so that they cannot fall into the bath;

The appliance should be supplied through a residual current device (RCD) having a rated residual operating current not exceeding 30mA;

The built-in battery contains substances which may be harmful to the environment. When you discard your remote controller in due course, please remove the battery and hand it in separately at an officially assigned collection point.

## Maintenance

1. Keep the acryl surface of the shower panel from crashing by a sharp edge. If the surface is crashed or there is some blot which can not be removed by scrub, using #1500 sand paper to polish it and apply some toothpaste on a soft cloth to wipe it.
2. Using special cleanser to clean-up the shower panel. The cleanser contain no such organic solvents as acid, alkali, ketone and aldehyde.
3. Need not polish the plating parts of the shower panel to prevent from affecting the brightness of the surface. Keep benzine and acid (such as sealant) away from the plating parts avoid eroding when being in installation.
4. Shut down the water and electrical supply if the shower panel is not in operation for a long time. Keep it in a dry and ventilated circumstance and far away from volatile chemicals.
5. Clean-up the filter at the joint of the water pipe to ensure the fluent flowing.

# Troubleshooting

| Symptoms  | Problem Causes   | Recommended Action  |
|---|--|---|
| Indicating light on control panel doesn't work and whirlpool doesn't work | ①、Electrical power box disconnects to control box<br>②、5V voltage on circuit board is not available  | ①、Connect the electrical power box to control box<br>②、Repair 5V voltage  |
| No signal display on LCD and indicating light doesn't work                | ①、Electrical power disconnects, no power to control box<br>②、4A fuse of electrical power box is burn-out   | ①、Turn on electrical power<br>②、Rcplacc bulb  |
| Whirlpools bottom lamp is not available                                   | ①、Bulb cord disconnects<br>②、bulb is not available<br>③、No power to bulb   | ①、Conenct the wiring again<br>②、Rcplacc bulb<br>③、Bulb overruns,it runs from 20W to 25W   |
| Hydro function is not available   | ①、Medical bath generator doesn't work<br>②、Pipe of medical bath generator is blocked<br>③、Medical bath generator disconnects   | ①、Replace medical bath generator<br>②、Remove obstruction from pipe<br>③、Connect the wiring again  |
| Medical bath in not available   | ①、Water doesn't reach high water level detector<br>②、Water level detector doesn't work<br>③、Pump doesn't work<br>④、Electronagnetic valve of air outlet doesn't work<br>⑤、Air pipe is blocked | ①、Wait for water reaching high water level detector<br>②、Check and repair high water level detector<br>③、Replace pump<br>④、Check and repair electromagnetic valve of air outlet<br>⑤、Renove obstruction from pipe |
| Telephone receiver doesn't work   | ①、Control disconnects to telephone wiring<br>②、Indoor telephone is of anti-theft-dialing lock  | ①、Connect telephone wiring to control<br>②、Don't connect to telephone of anti-theft -dialing lock   |
| Sterilization function is not available                                   | ①、Sterilization device disconnects<br>②、Sterilization device doesn't work  | ①、Connect wiring again<br>②、Replace sterilization device  |
| Remote control doesn't work   | ①、Capacity of battery is too low<br>②、Battery installs in wrong direction<br>③、Kemote control is not available   | ①、Replace battery<br>②、Install battery properly according to prompt<br>③、Replace remote control   |
| Radio effect is not good enough   | ①、Antenna is not spread<br>②、Antenna position is not proper  | ①、Spread antenna<br>②、Adjust antenna position   |
| Heating device failed   | ①、Water doesn't reach high water level detector<br>②、Water pump doesn't turn on<br>③、Heating protector broken<br>④、Heating bar broken  | ①、Wait for water reaching high water level detector<br>②、Turn on the water pump<br>③、Replace heating protector<br>④、Replace heating bar   |

Notice:①、 Call dealer or qualified electrician for maintenance when meeting problems.

②、 Must not replace, put on or take off the electrical parts when checking problems by user themselves.

# Completion Form

This form must be filled out by the plumber/installer and electrician (where applicable) in order to validate the warranty. You are required to register the warranty online at [www.vidalux.co.uk](http://www.vidalux.co.uk)

You MUST register the product warranty within 90 days following delivery

**PLEASE RETAIN THIS CERTIFICATE FOR FUTURE REFERENCE**

## Shower Details

**Model No.**

**Date Of Delivery**

**Invoice No.**

**Install Date**

## Install Information

**Water Supply Type**

**Combi**

**Mega Flow/Pressurised**

**Pumped**

**Gravity Fed**

**Cold Water Pressure  
(LPM or BAR)**

**Hot Water Pressure  
(LPM or BAR)**

**PEV or PRV fitted?**

**PEV**

**Details**

**PRV**

**Details of pressure  
testing/flow rate  
equipment used**

## Plumbing Installation

**Installer Name**

**Company**

**Address**

**Town/City**

**Post Code**

**Contact Tel**

**Credentials/  
Certificates held -  
Reg number**

**Signature**

**Date**

## Electric Installation

**Installer Name**

**Company**

**Address**

**Town/City**

**Post Code**

**Contact Tel**

**Part P Reg No.**

**Date**

**Signature**

**FOR TECHNICAL  
ASSISTANCE PLEASE  
EMAIL US ON:**

**[sales@vidalux.co.uk](mailto:sales@vidalux.co.uk)**

**OR CALL US ON:**

**01524 489939**