

SOJAG

produits saisonniers • seasonal products

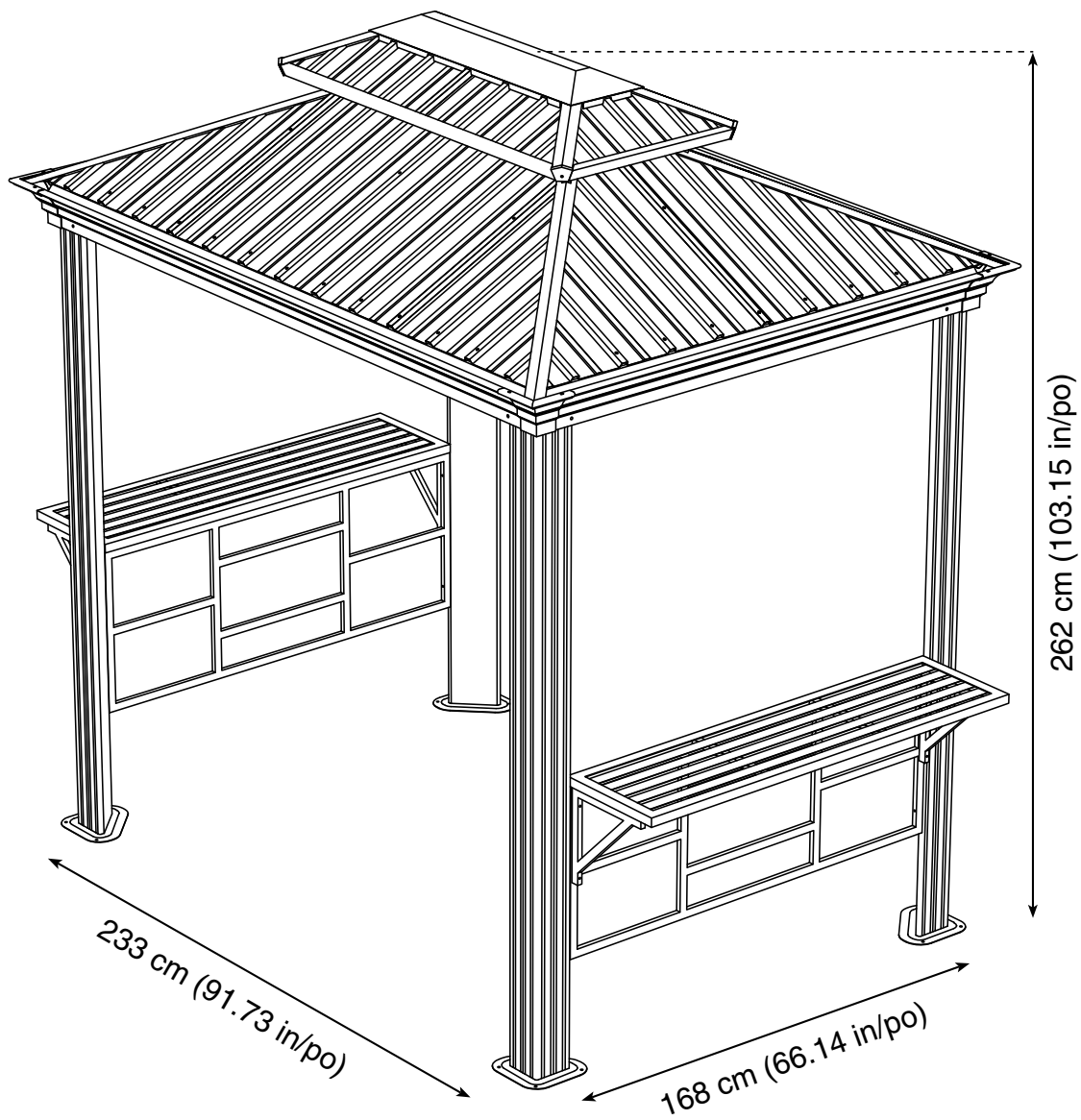
Sojag code: 999-7160680

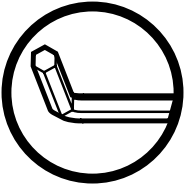
CUP/UPC code: 772830160680

Costco code: 1067226

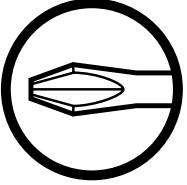
QUESTIONS? 01923 213113

Assembly Manual / Guide d'assemblage / Manual de ensamblaje / 조립 설명서 / Montageanleitung





Use the hex keys in the box. / Utilisez les clés hexagonales fournies dans la boîte. /
Utilice las llaves hexagonales en la caja. / 상자에 육각 키를 사용 하십시오. / Verwenden Sie
die Sechskantschlüssel in der Box.



Please use a phillips screwdriver / Utilisez un tournevis de type Phillips / Por favor,
use un destornillador Phillips / 십자 드라이버를 사용 하십시오. / Bitte verwenden Sie einen
Kreuzschraubenzieher.



you may need to use a drill for this step. / vous pouvez avoir besoin d'utiliser une
perceuse pour cette étape. / puede que tenga que utilizar un taladro para este paso. /
이 단계에선 드릴을 사용해야 할 수도 있습니다. / Für diesen Schritt können Sie einen
Bohrer verwenden.



It is recommended to wear protective gloves / Le port de gants de protection est recommandé /
El uso de guantes de protección se recomienda / 보호 장갑을 착용 하는 것이 좋습니다. /
Das Tragen von Schutzhandschuhen wird empfohlen.



Two or more people are required at this stage. / Deux personnes ou plus sont nécessaires à cette
étape. / Dos o más personas se requieren en esta etapa. / 이 단계에서는 두 명 이상이 필요합니다. /
Für diesen Bauschritt sind 2 oder mehr Personen erforderlich.

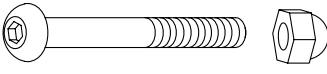


Do not screw firmly for now. / Ne pas visser fermement pour l'instant. / No atornille con
firmeza por ahora. / 아직 나사를 단단히 조이지 마십시오. / Bitte die Schrauben zum
jetzigen Zeitpunkt noch nicht fest anziehen.

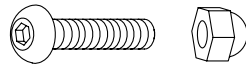


Sold in options / Vendus en options / vendido en las opciones /
옵션 판매 / Optional erhältlich

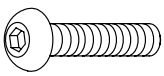
S X 16 (+2)



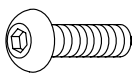
T X 36 (+4)



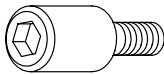
U X 17 (+2)



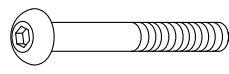
V X 44 (+4)



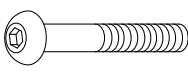
X X 16 (+2)



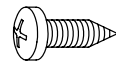
X1 X 8 (+2)



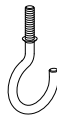
X2 X 8 (+2)



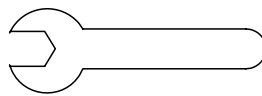
Y X 36 (+6)



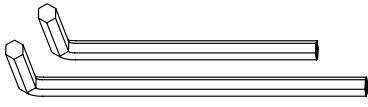
Wa X 2

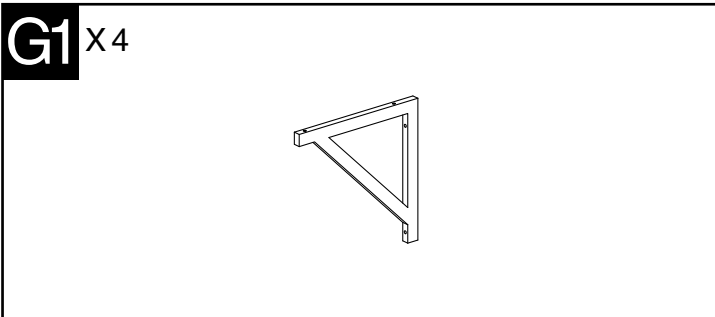
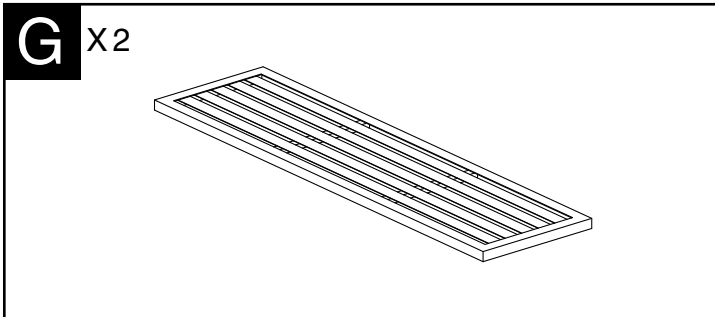
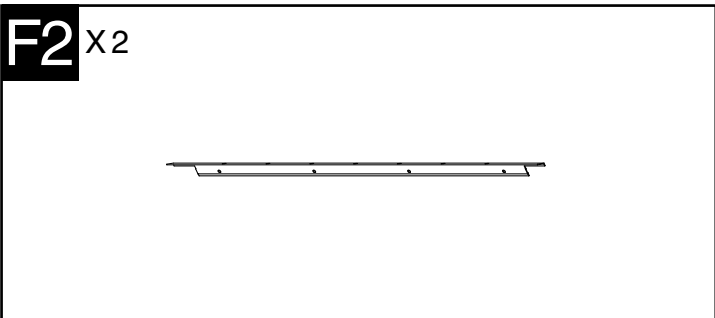
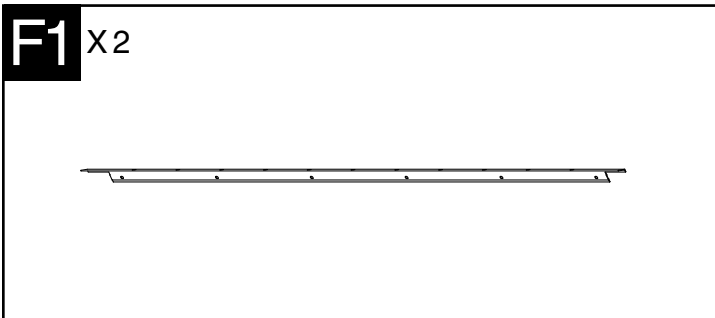
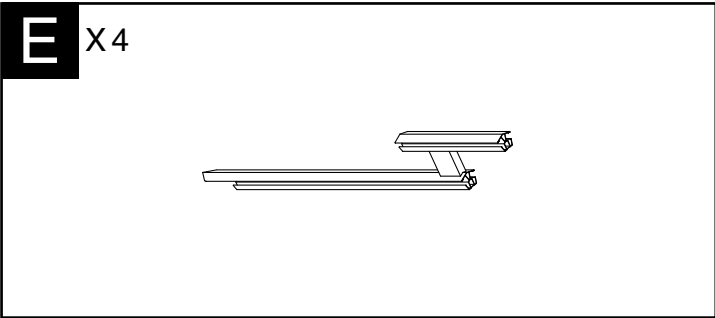
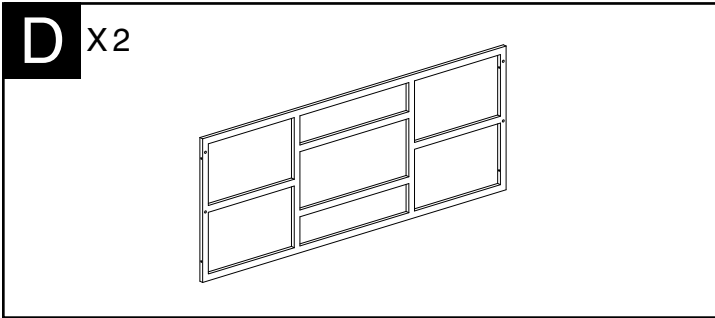
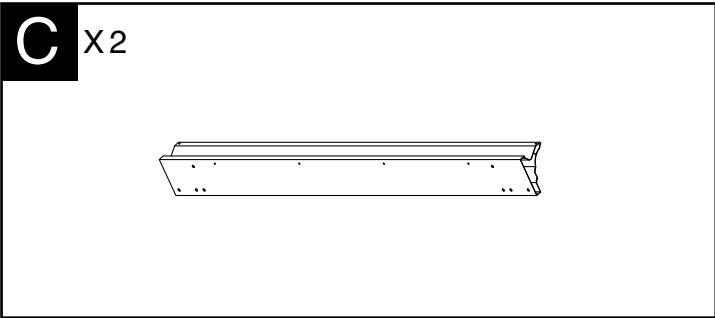
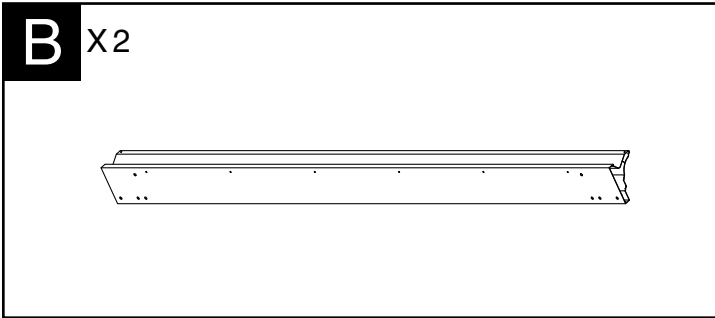


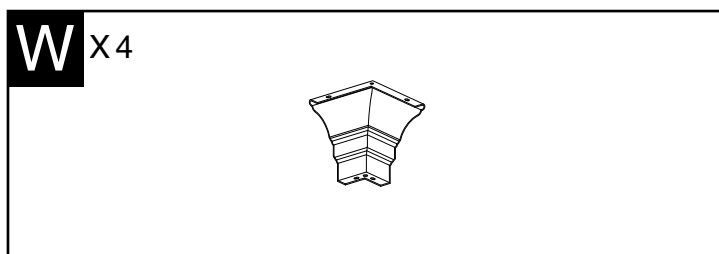
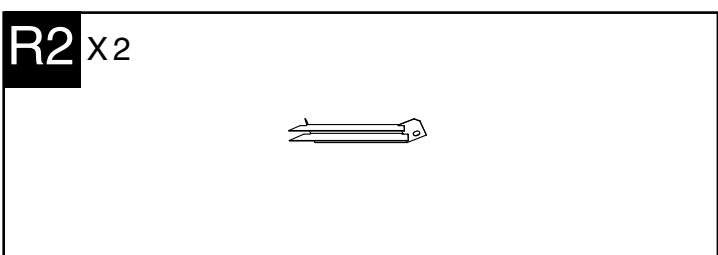
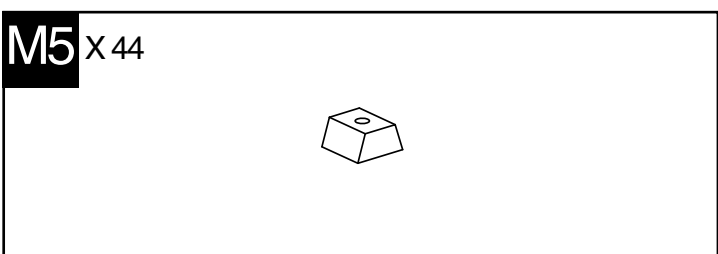
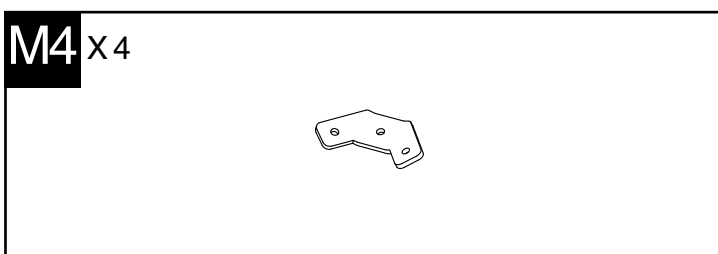
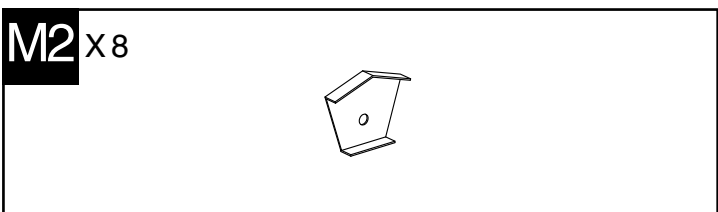
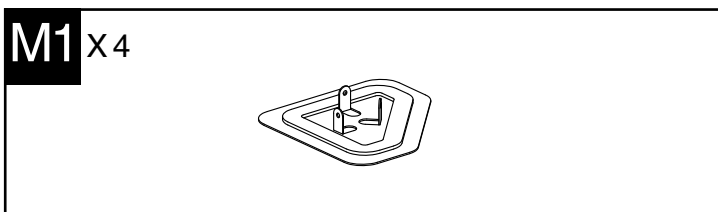
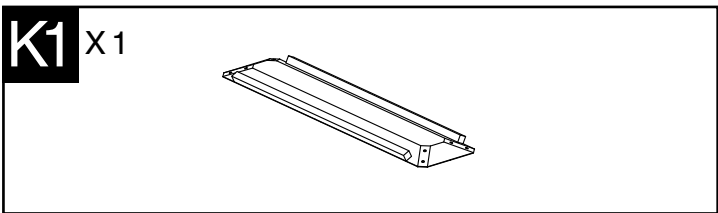
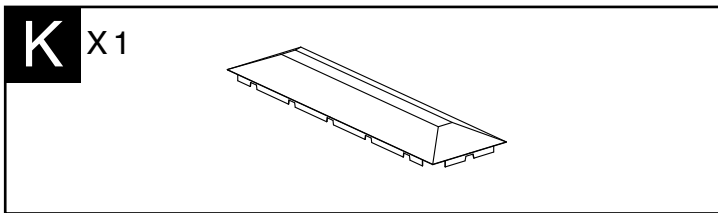
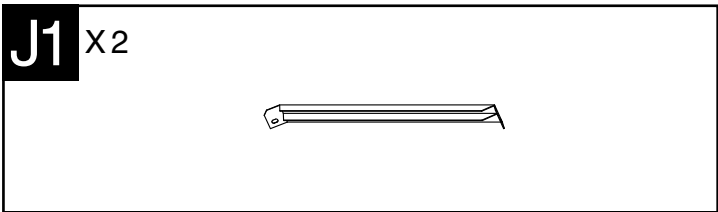
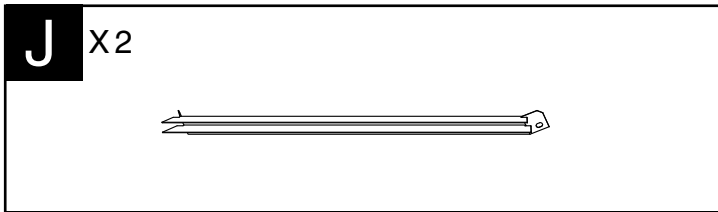
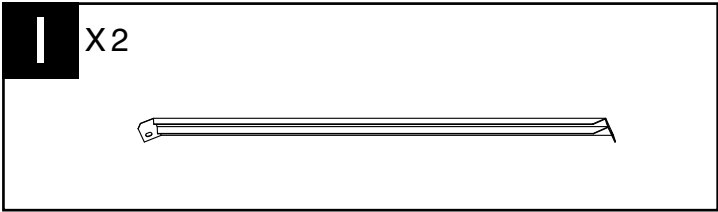
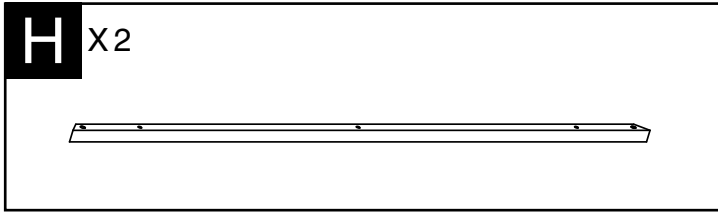
W2 X 1

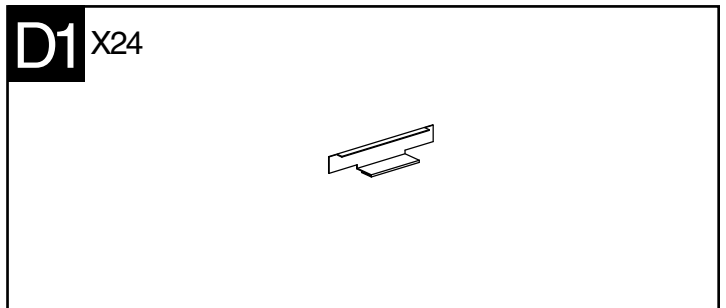
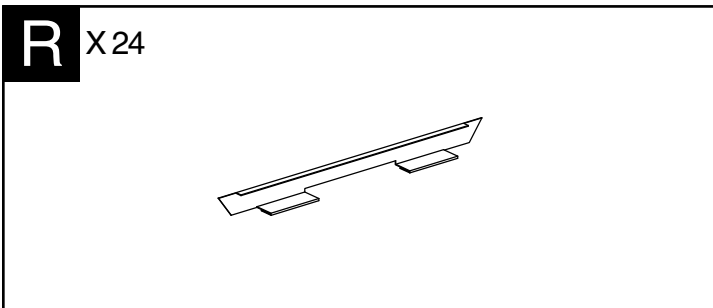
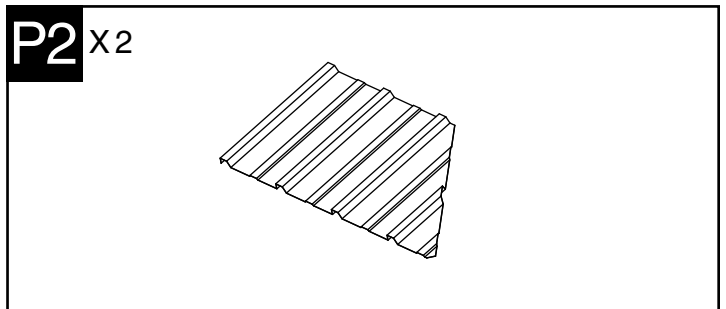
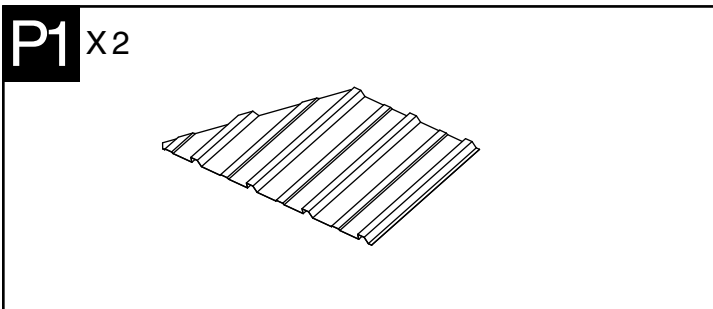
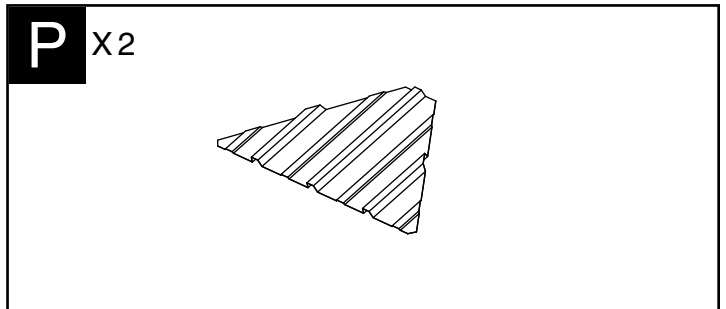
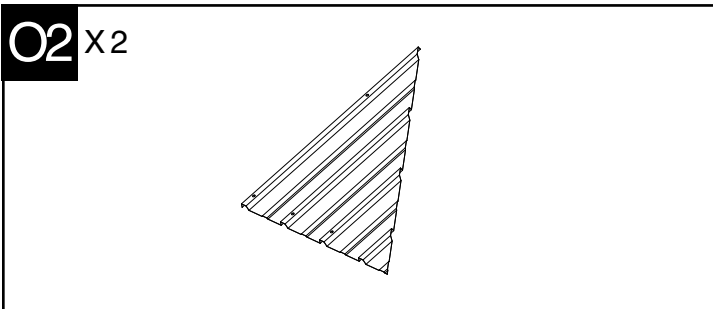
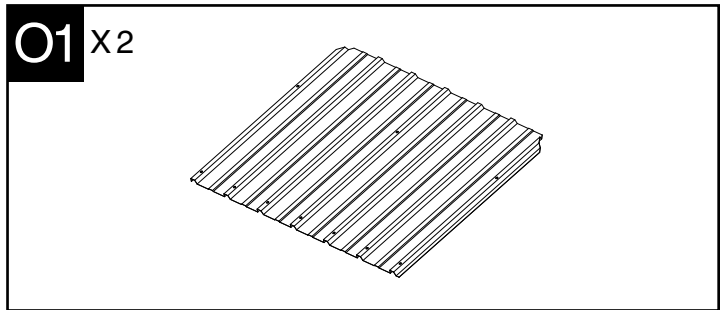
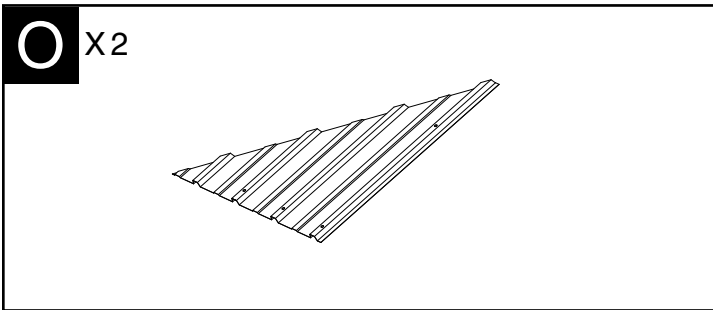
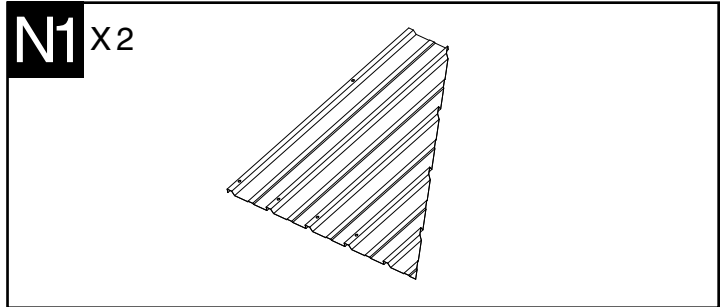
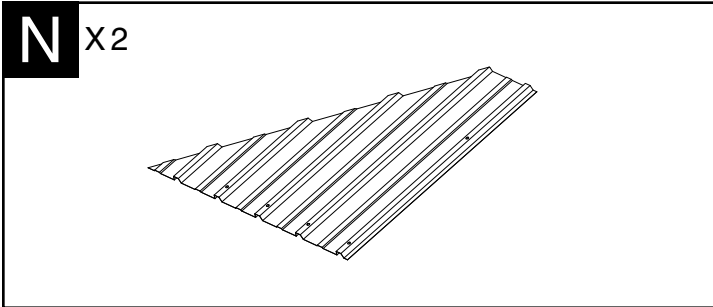


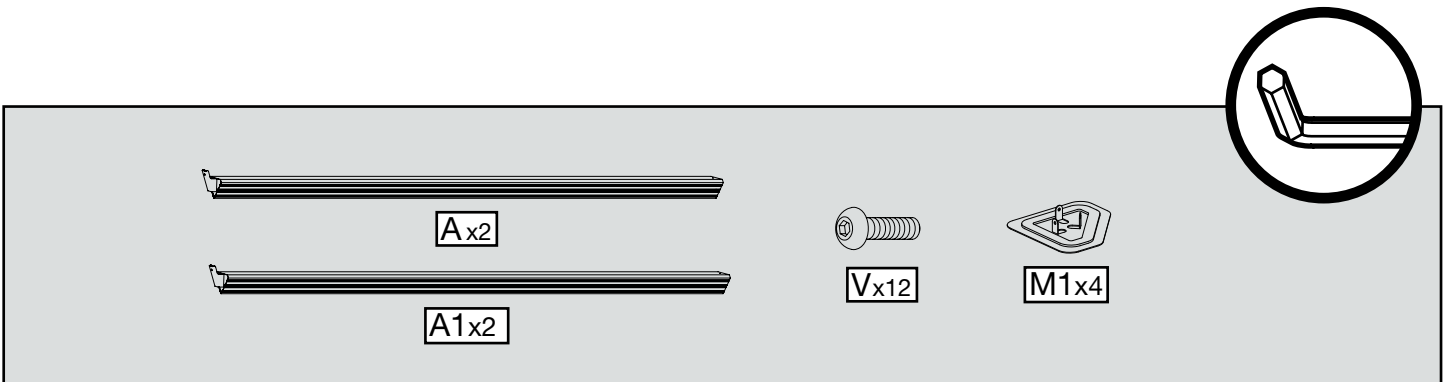
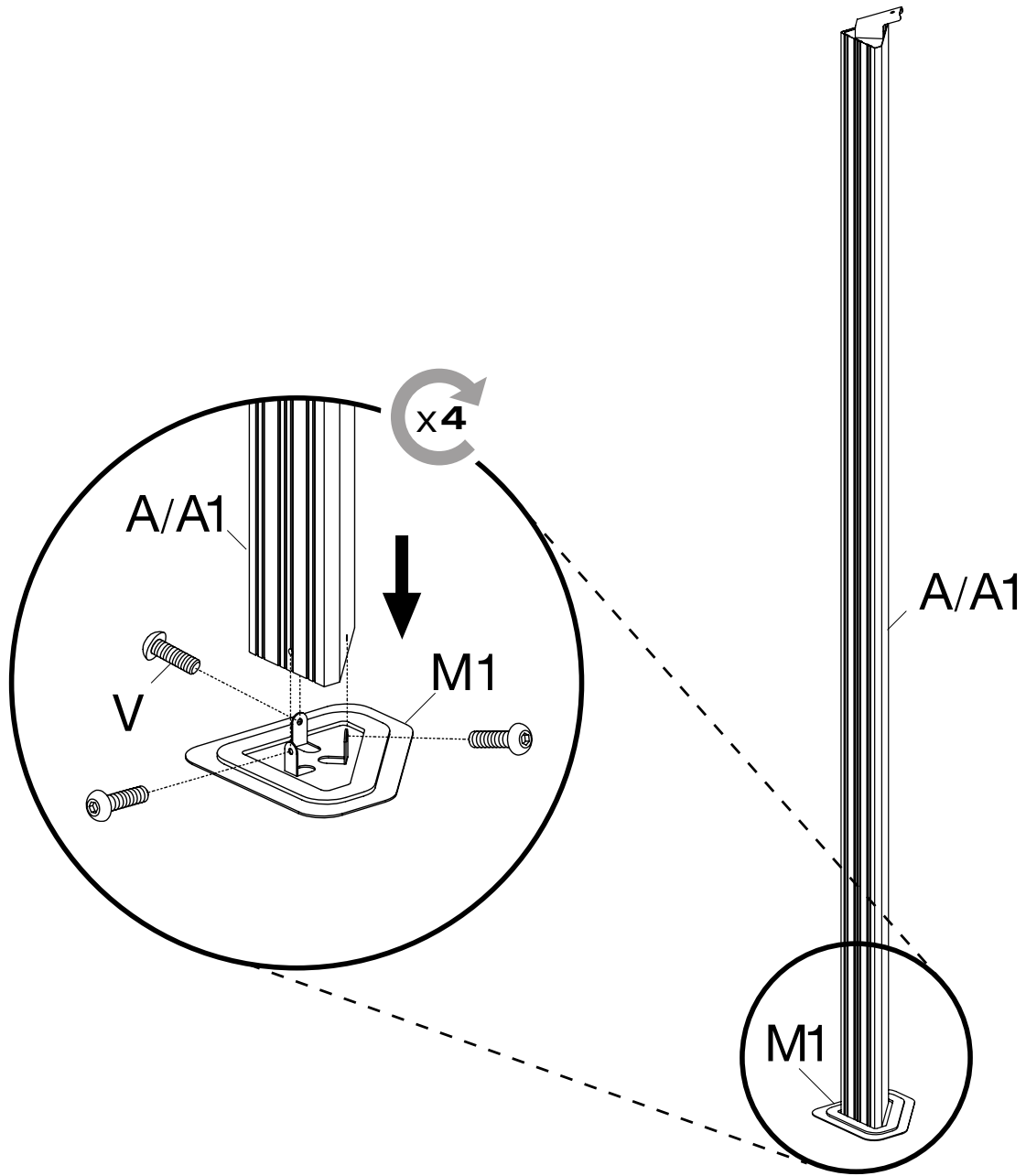
Z X 1

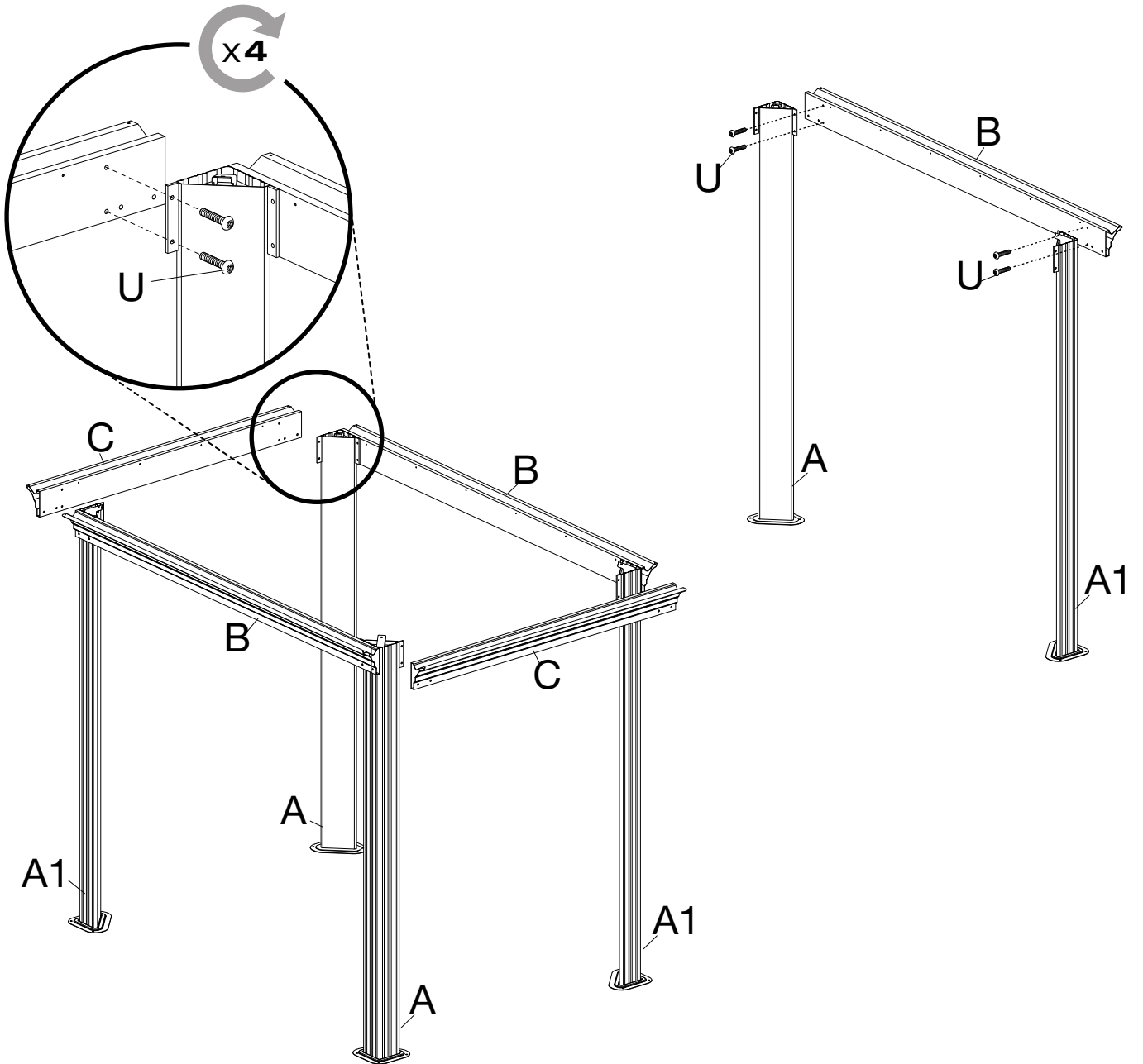




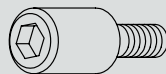
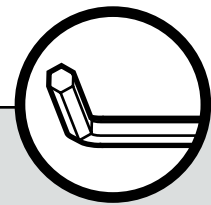
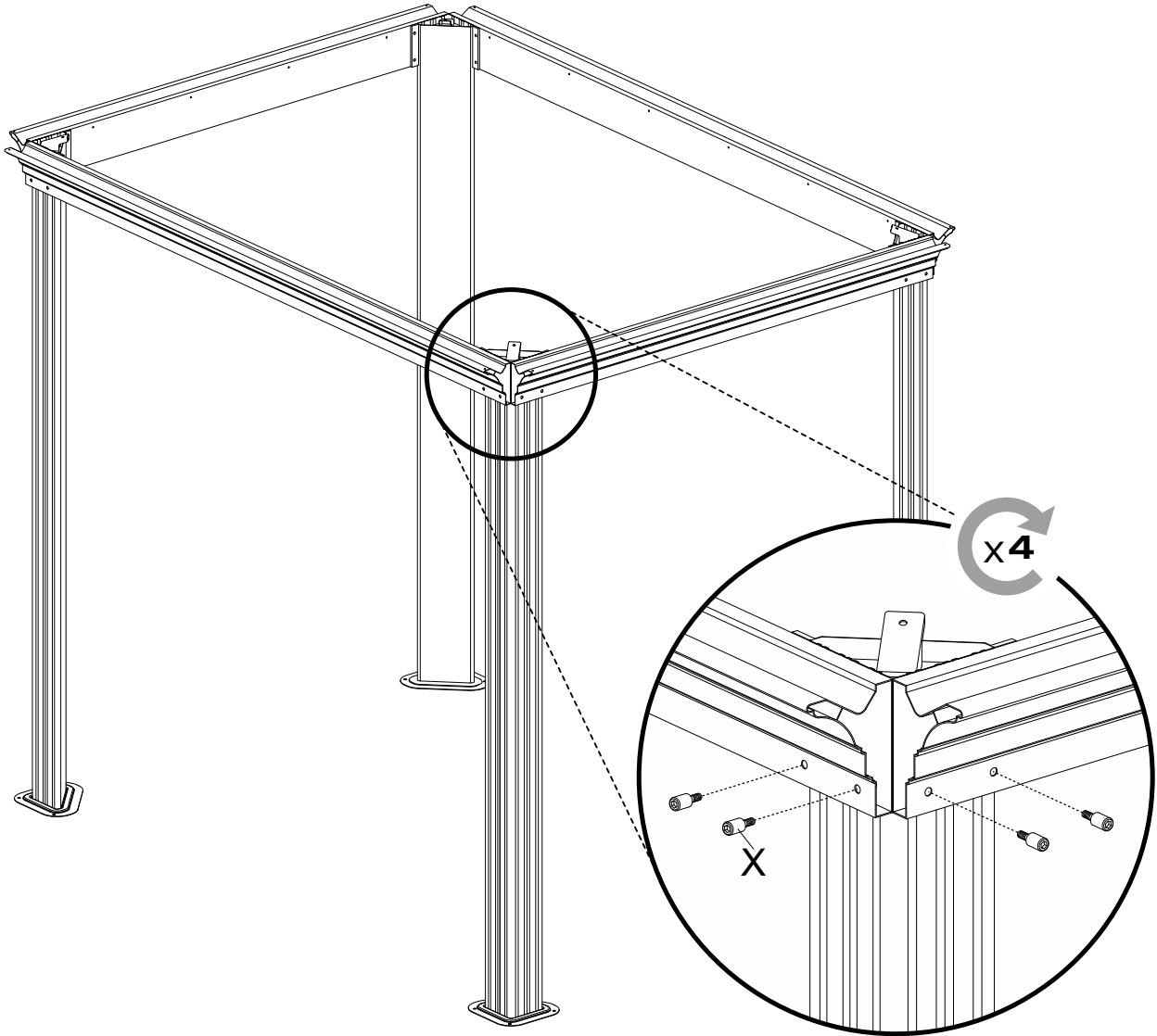




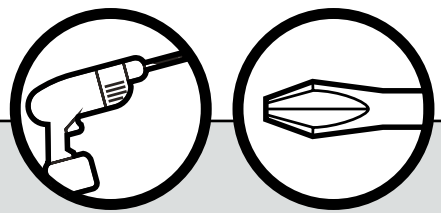
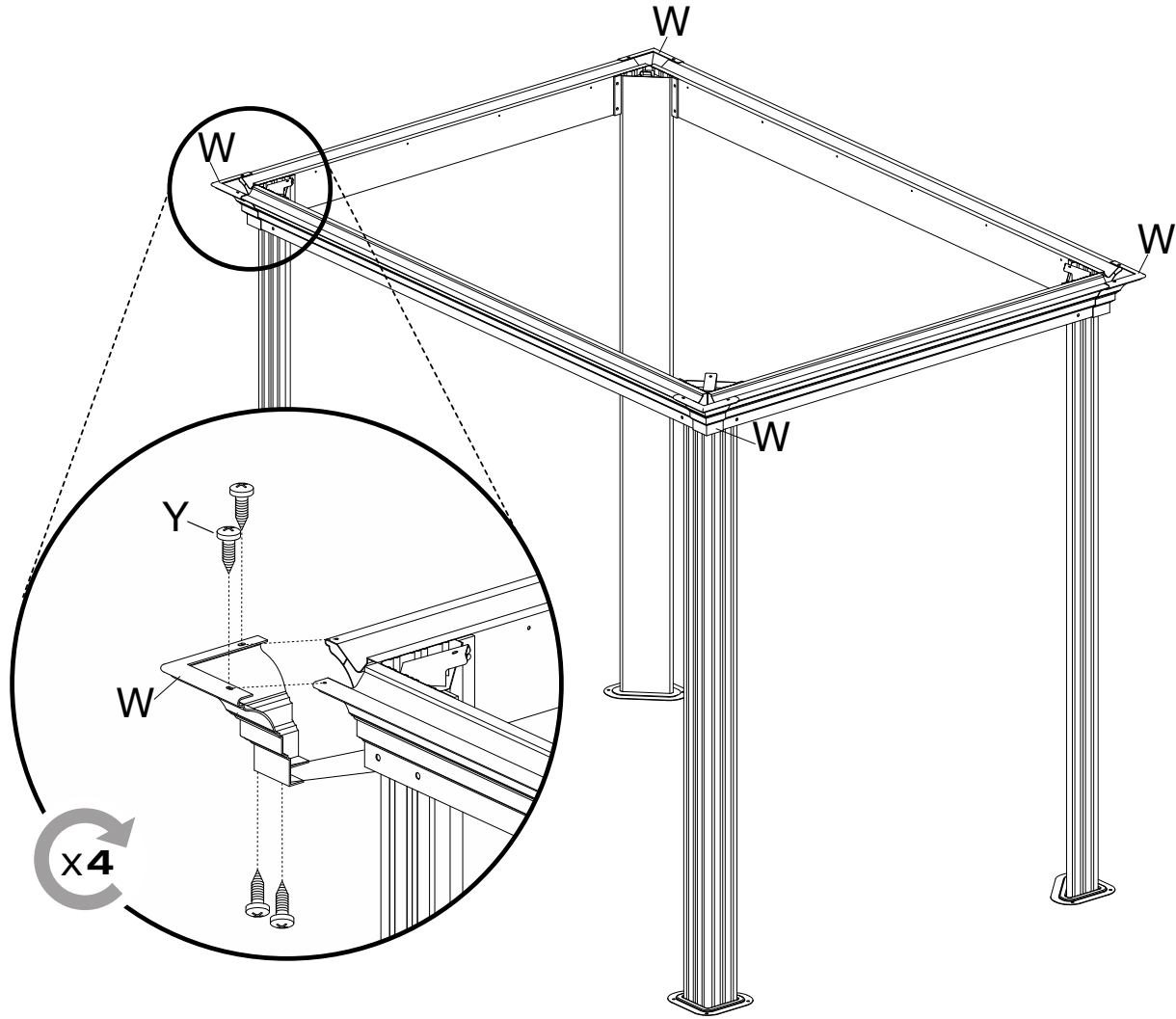




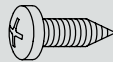
This section contains the parts list for the assembly. It includes two beams labeled Bx2 and Cx2, a screw labeled Ux16, a circular icon with two people and the number 2+, and a circular icon showing a corner bracket.



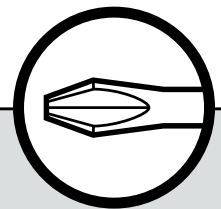
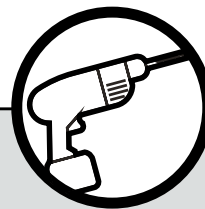
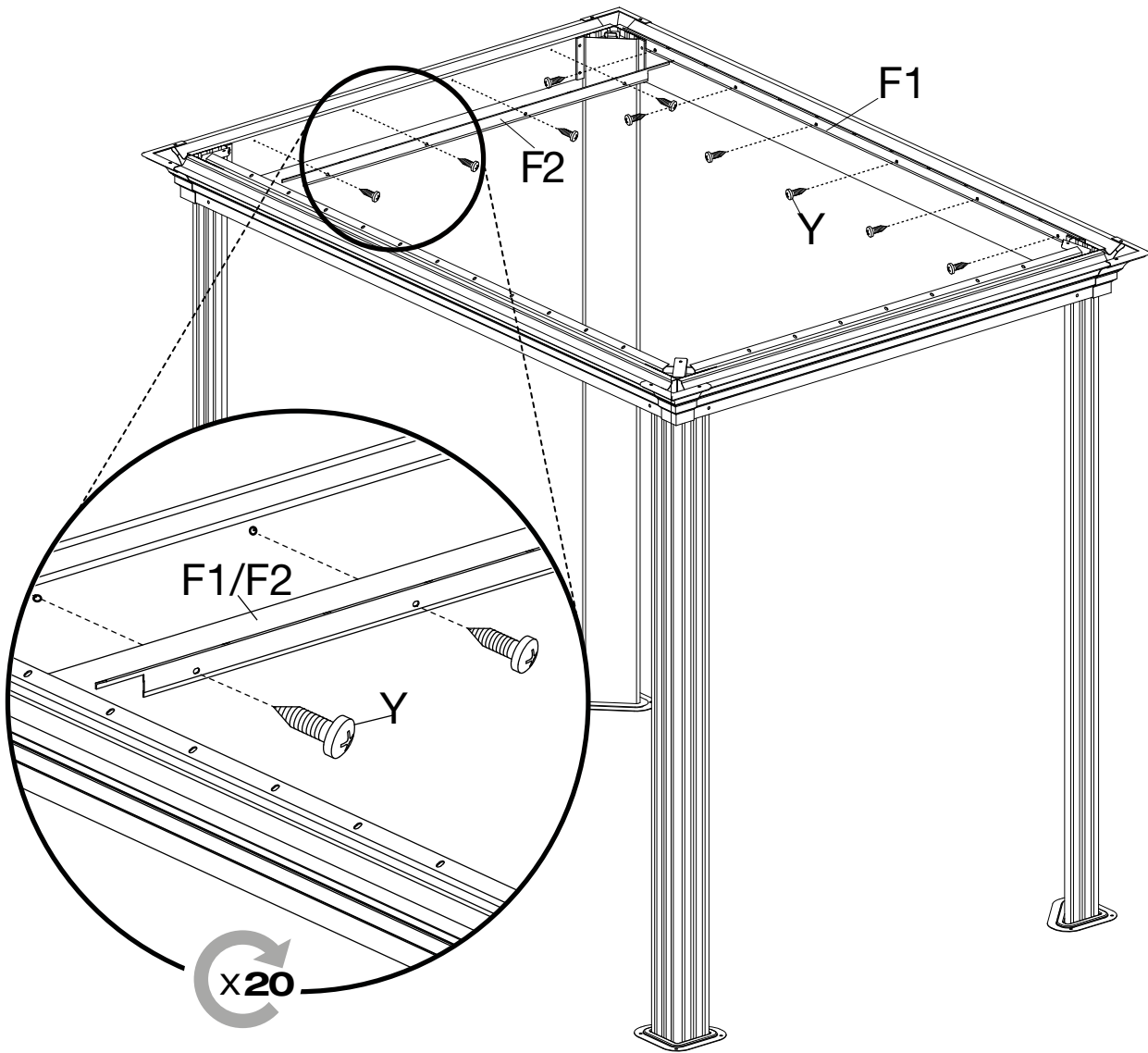
X x16



Wx4



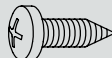
Yx16



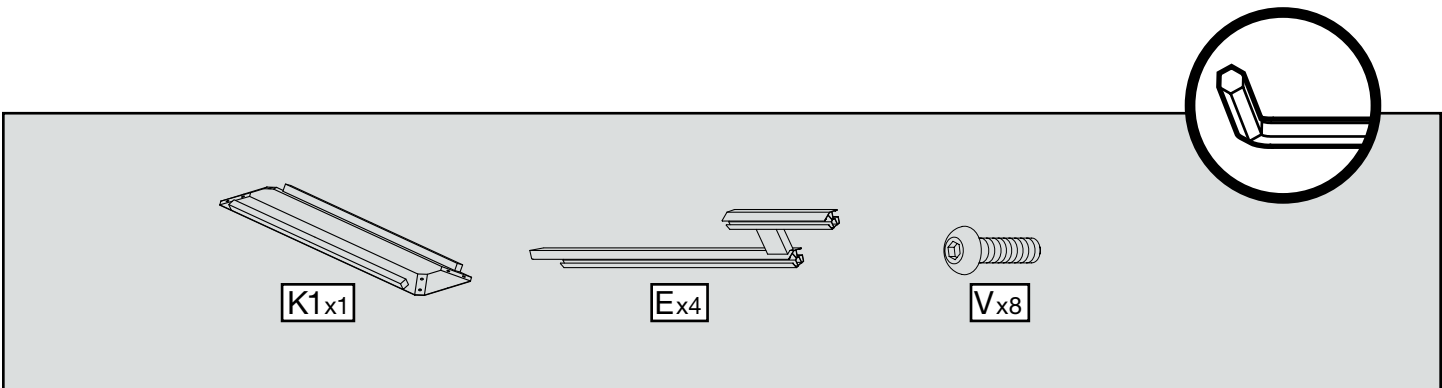
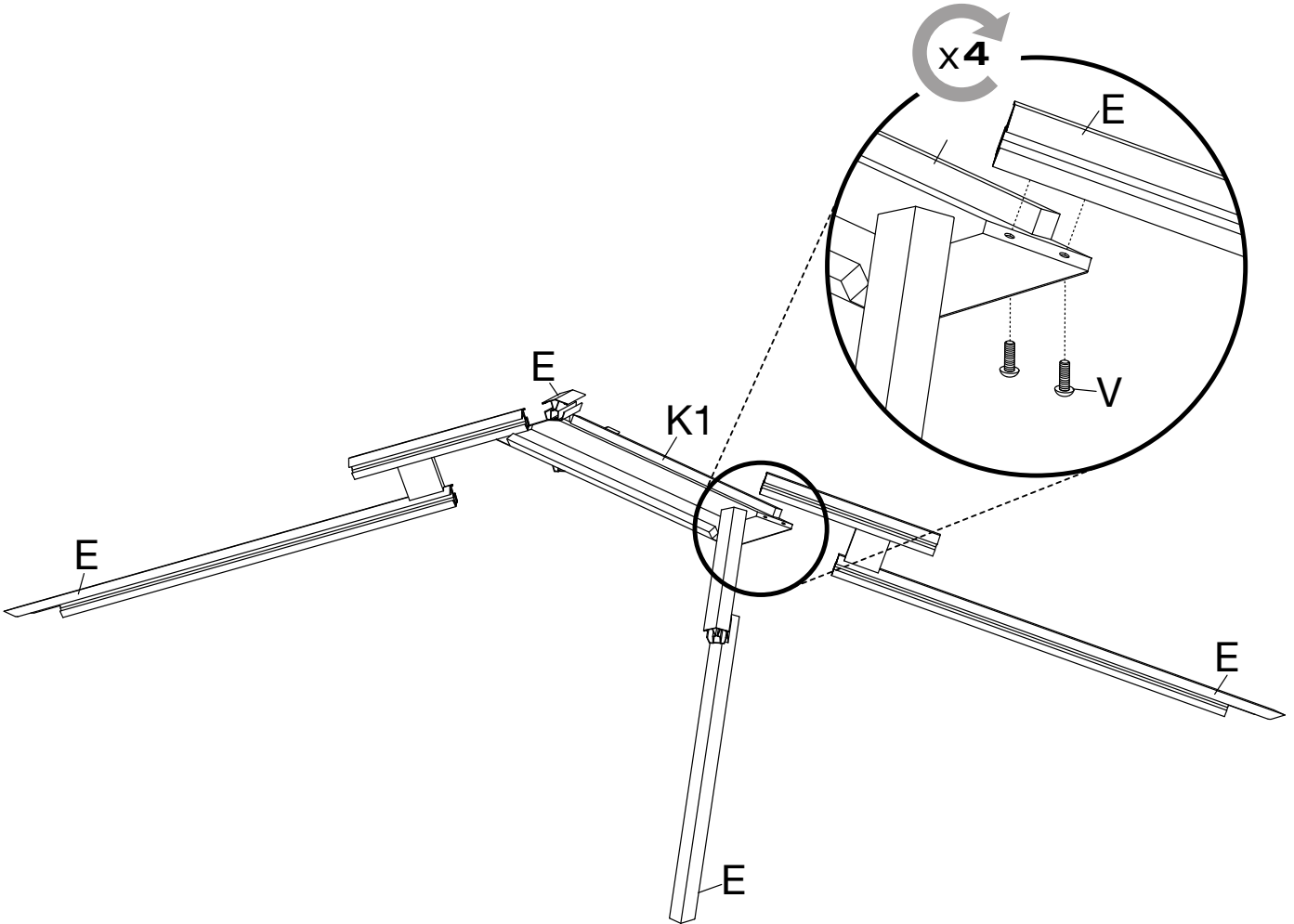
F1x2

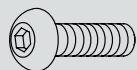
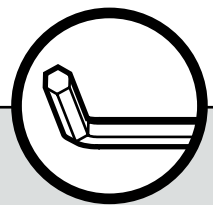
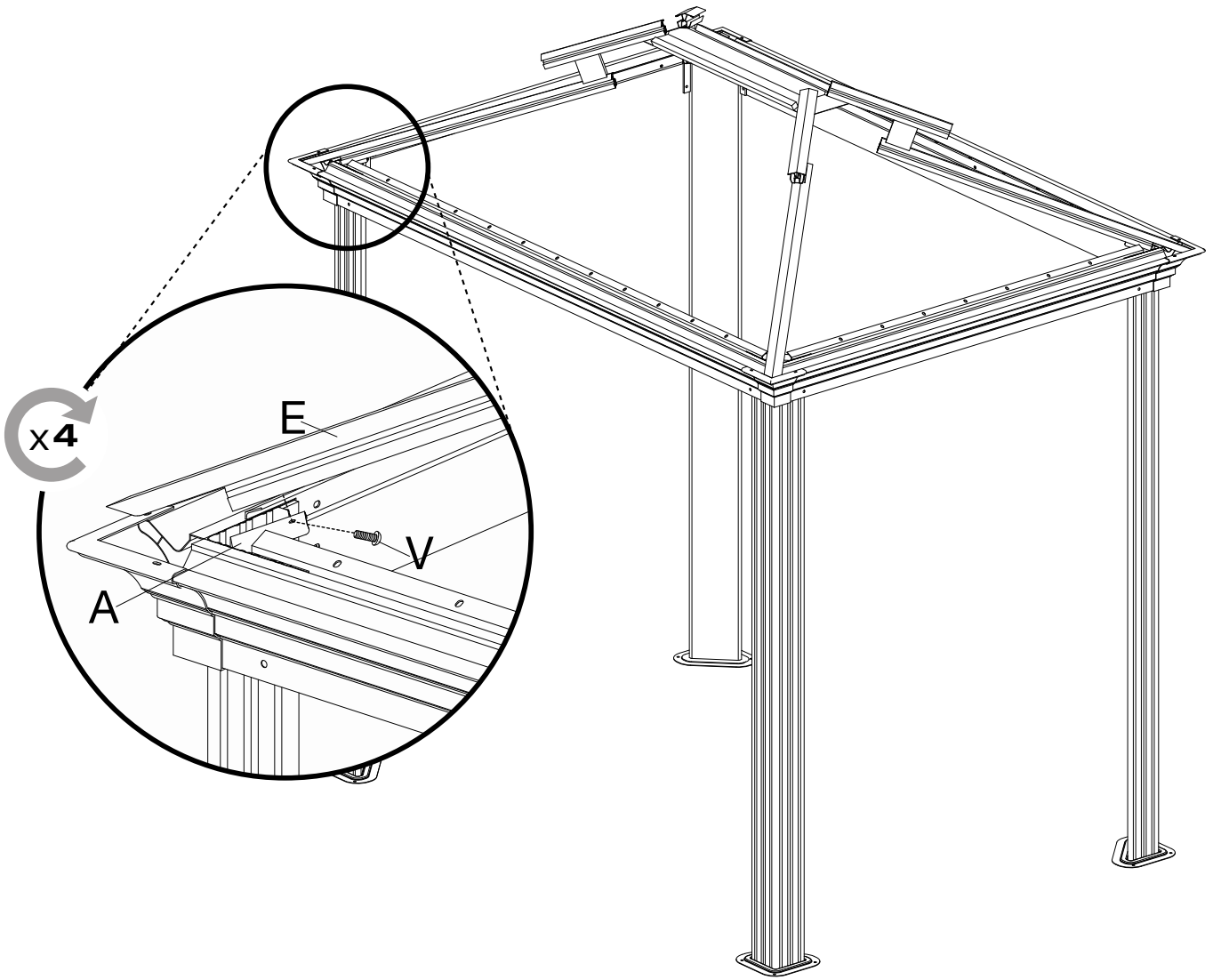


F2x2

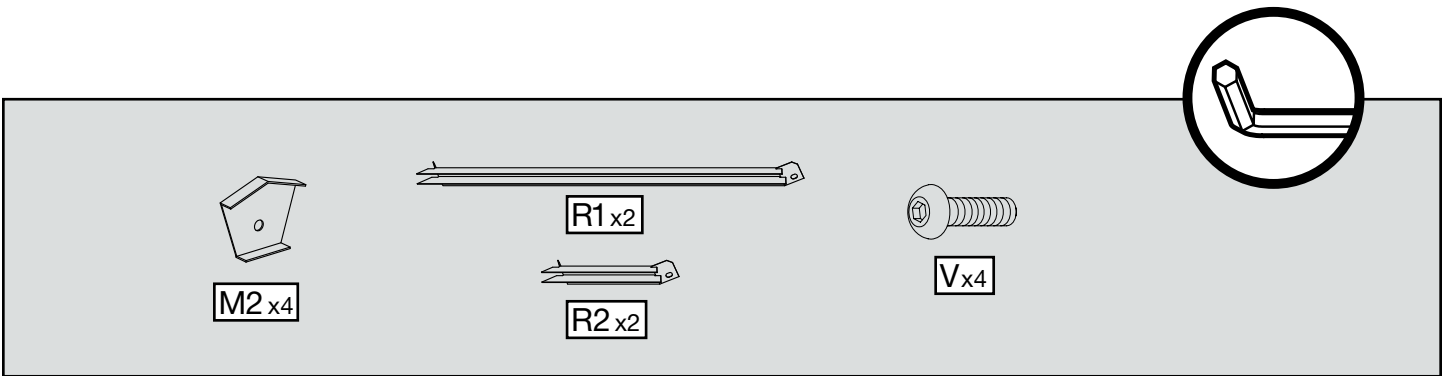
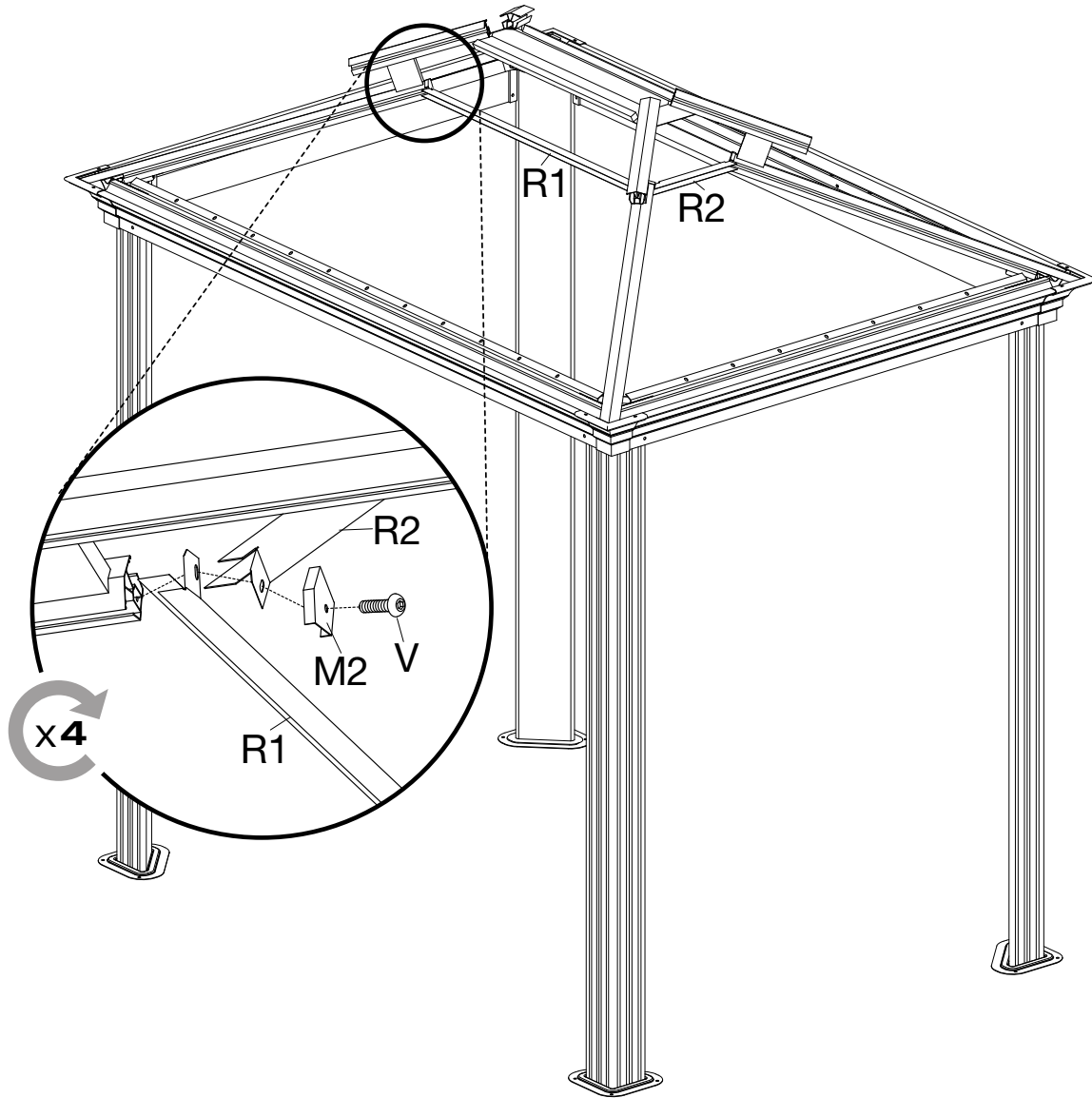


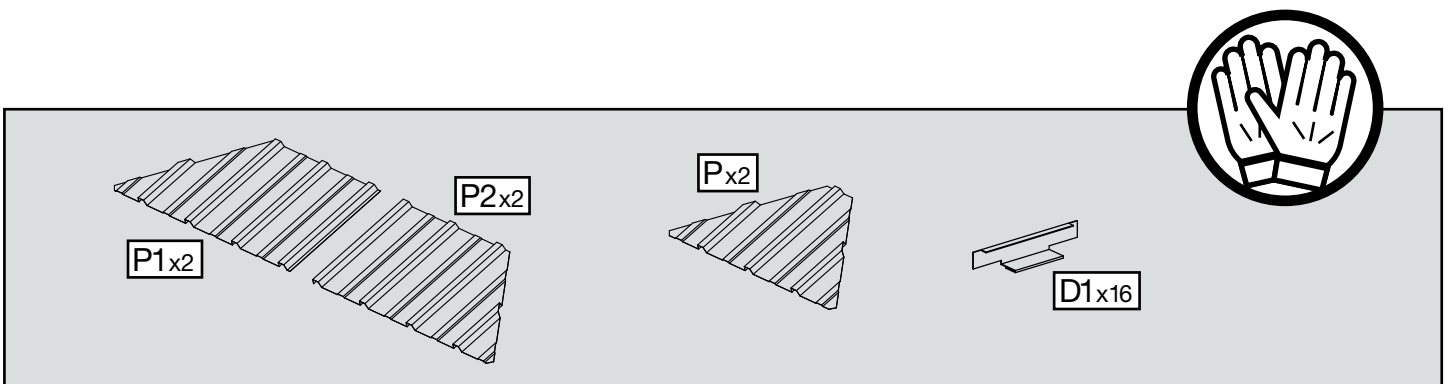
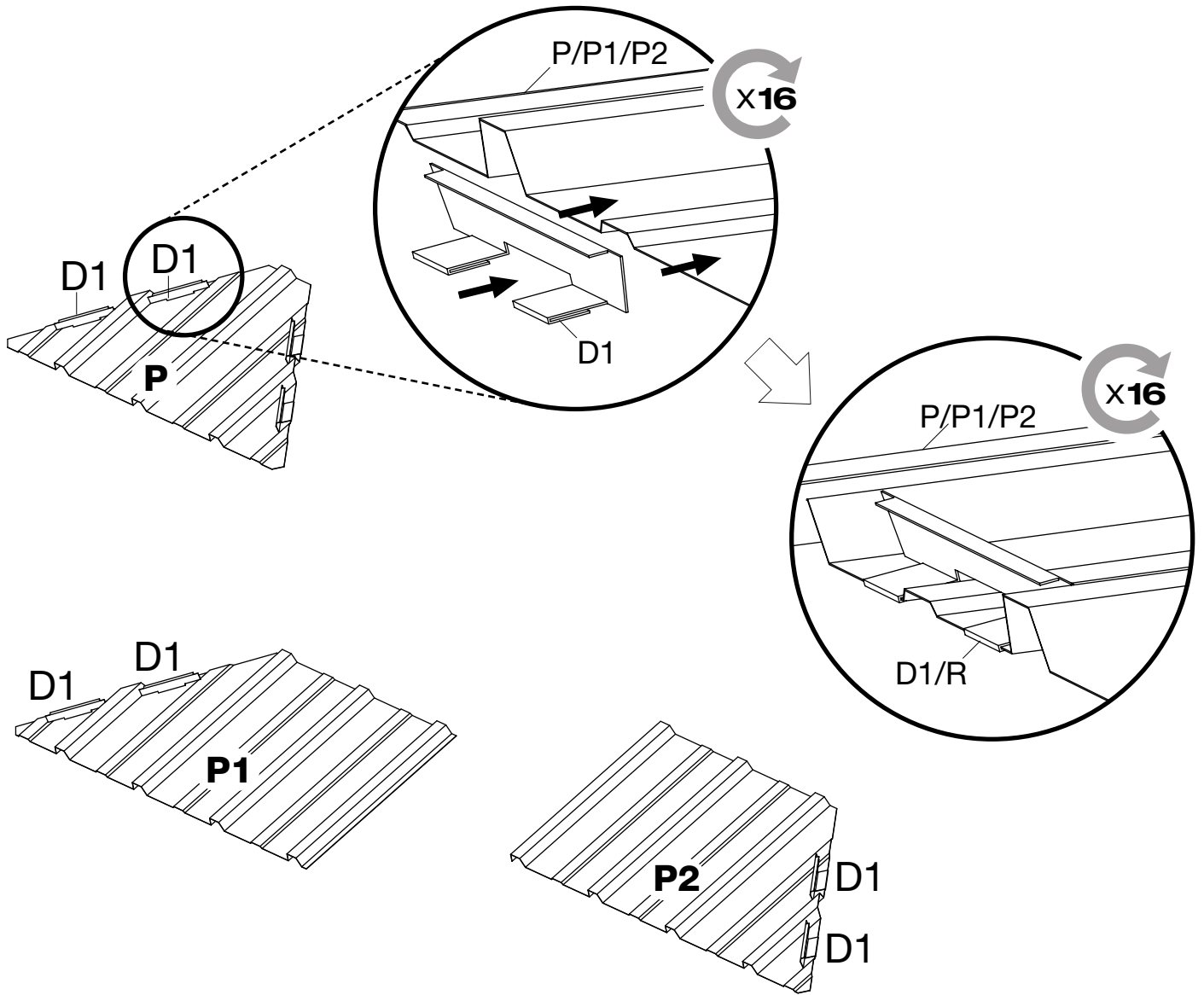
Yx20

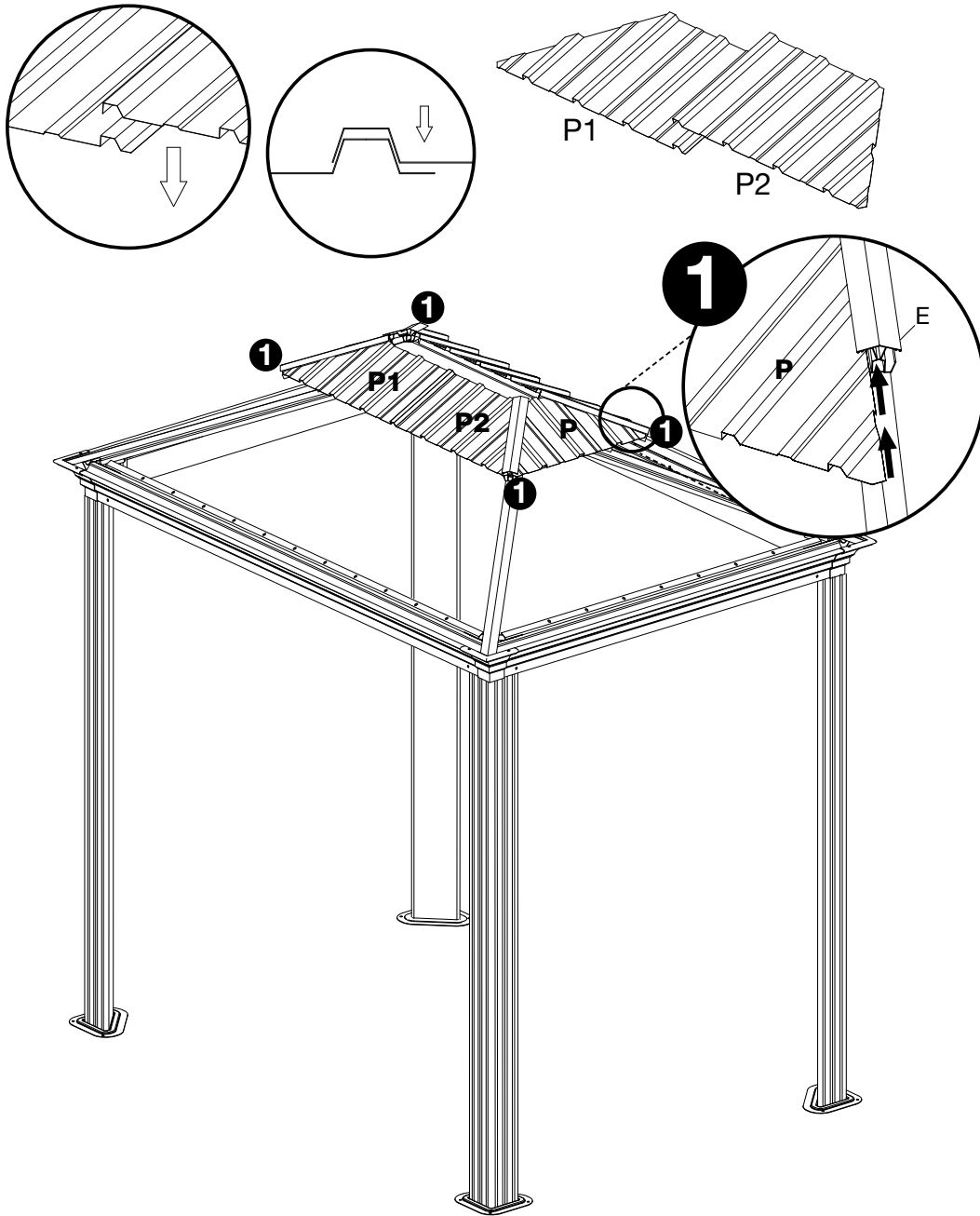


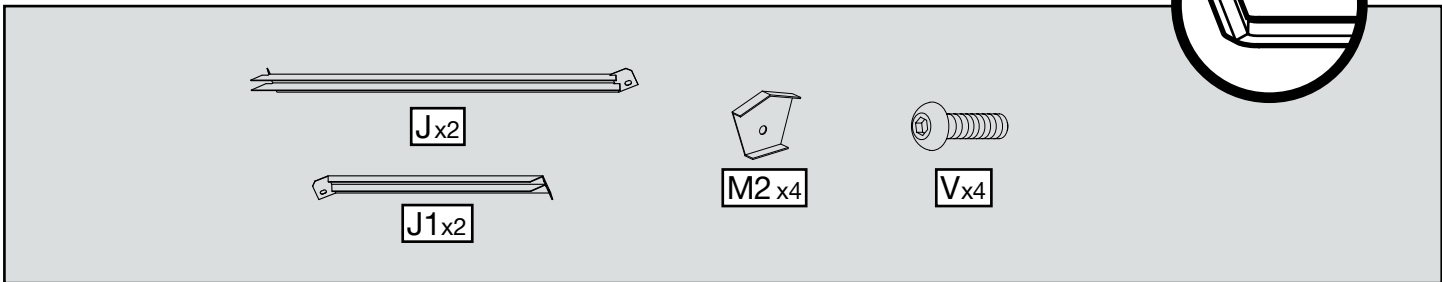
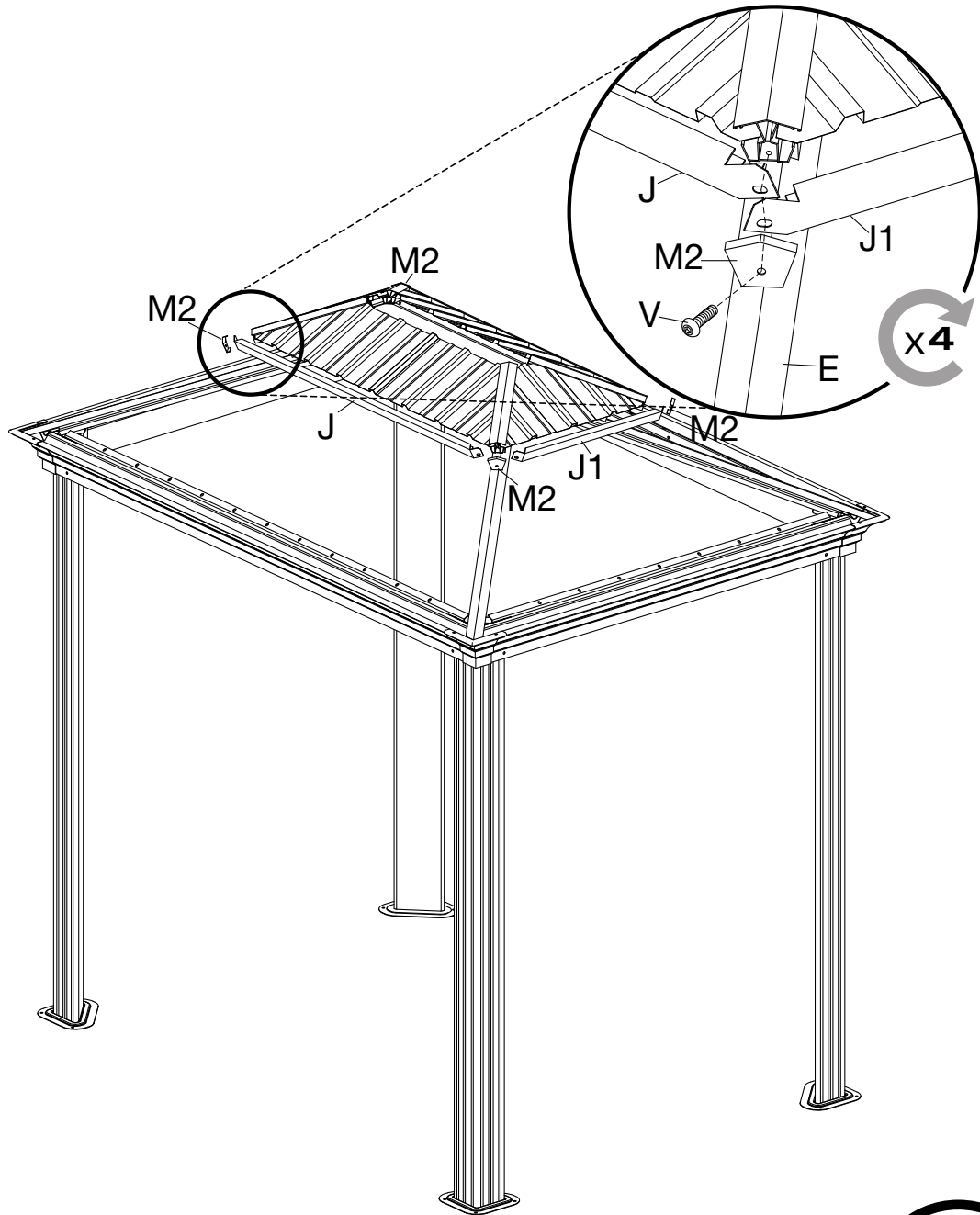


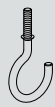
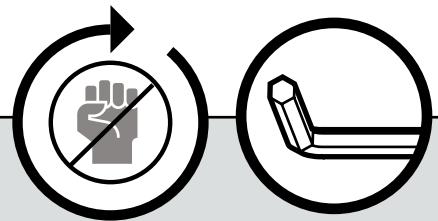
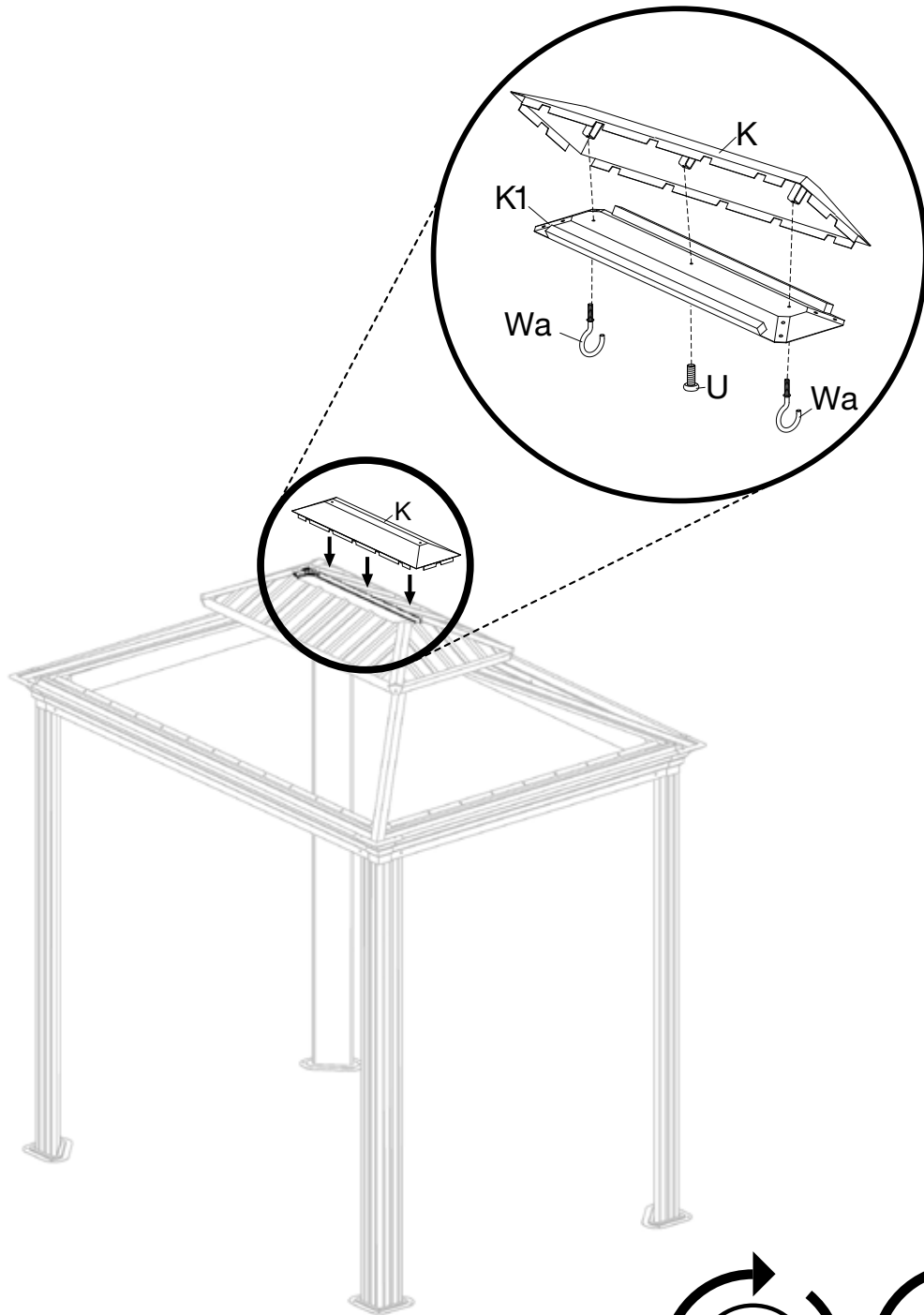
Vx4



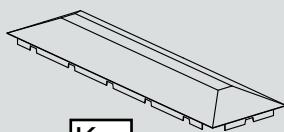




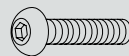




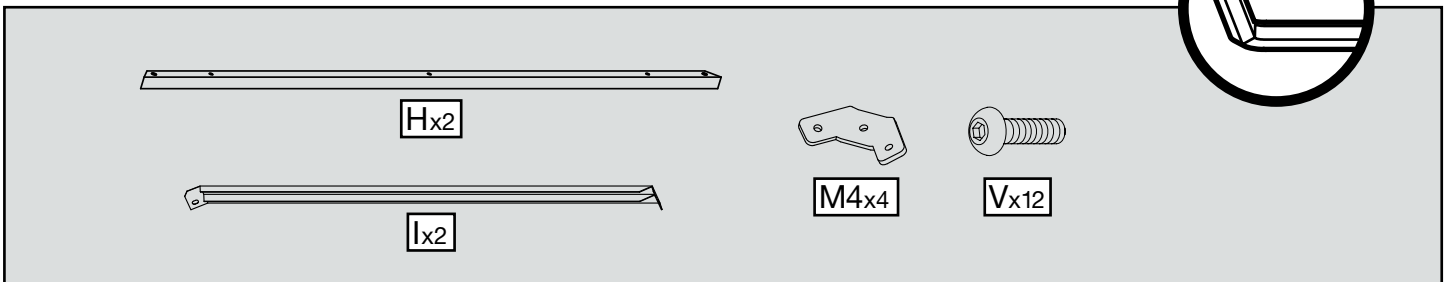
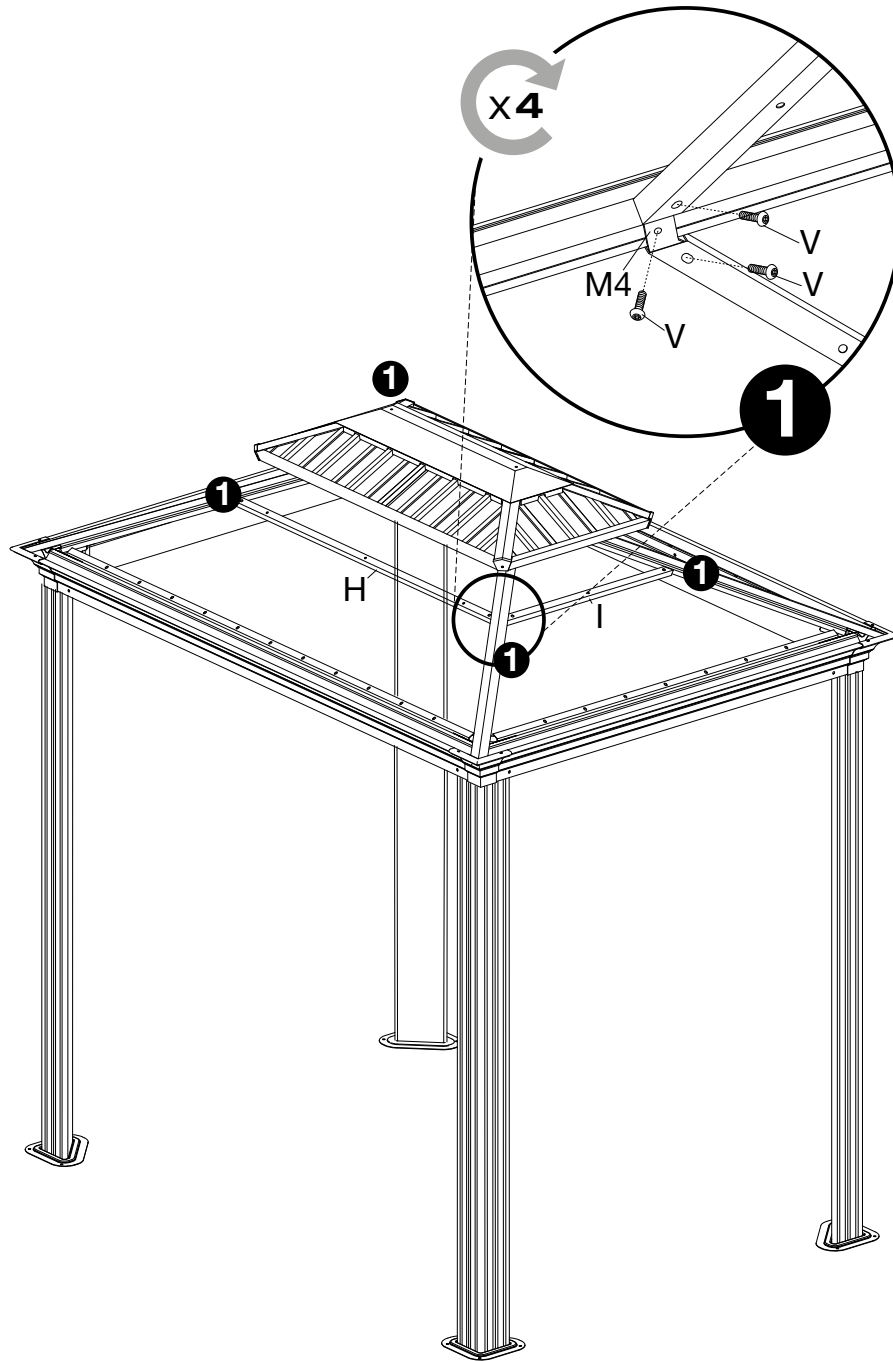
Wax2

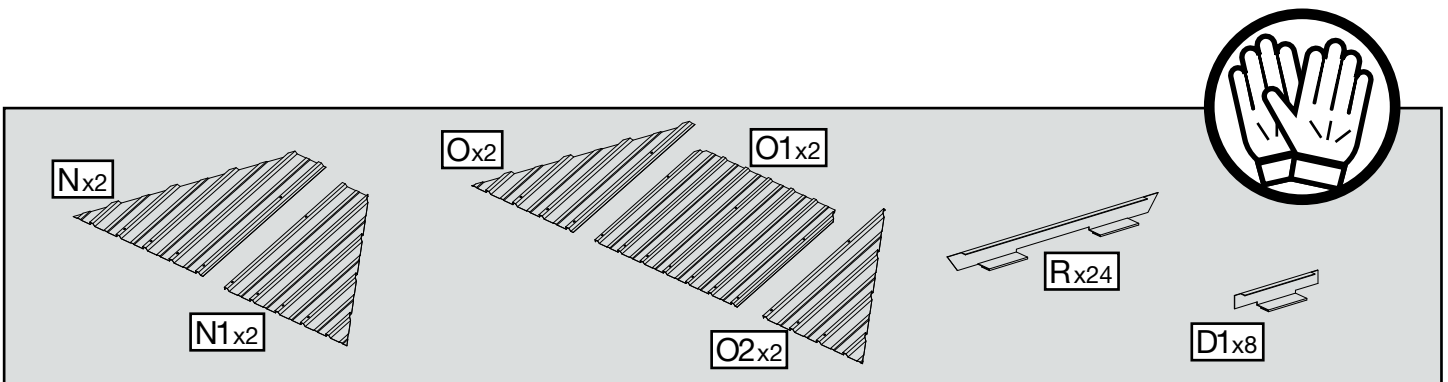
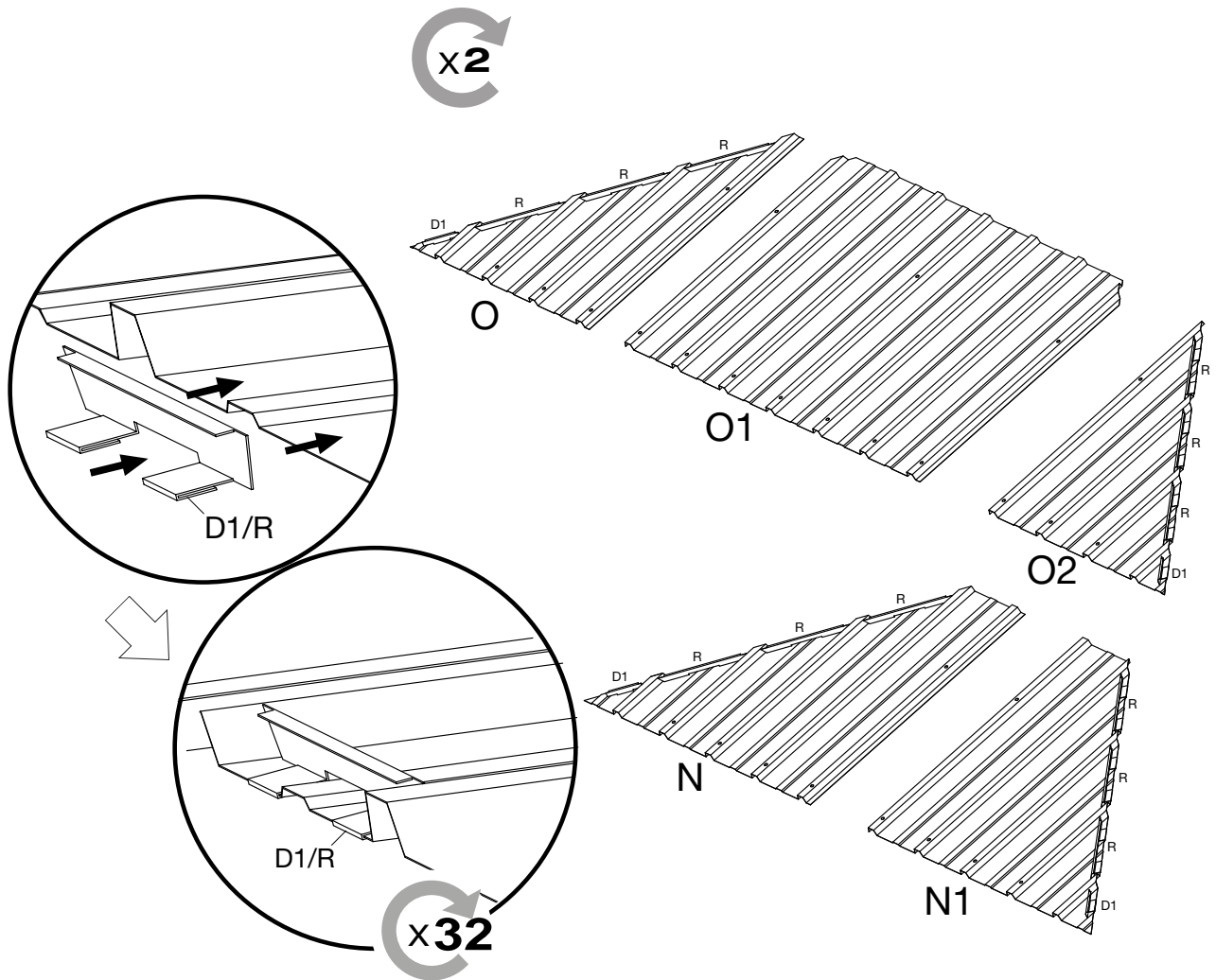


K x1

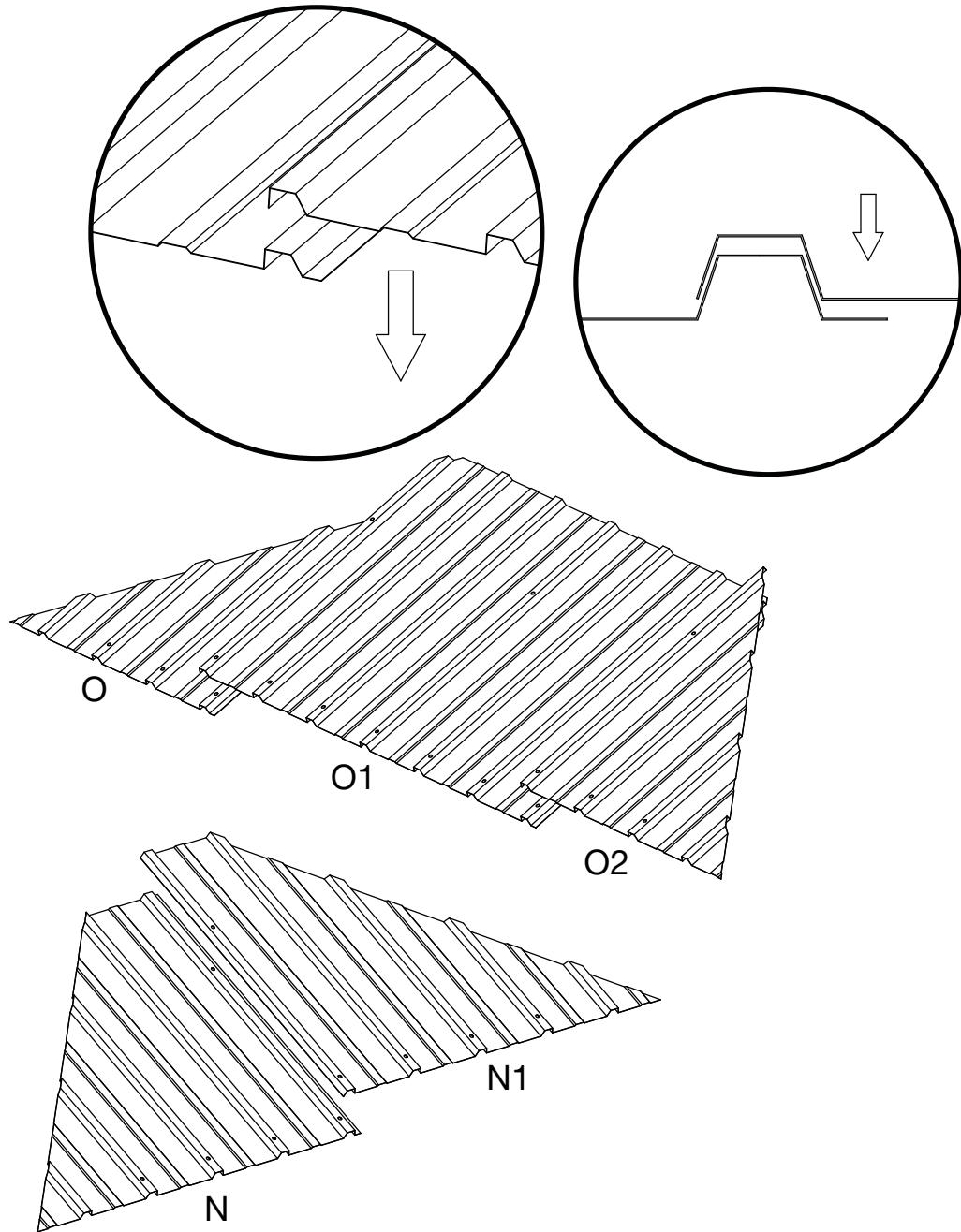


Ux1

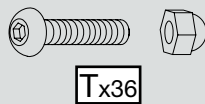
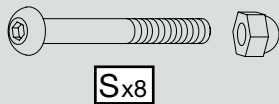
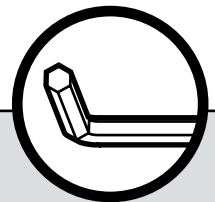
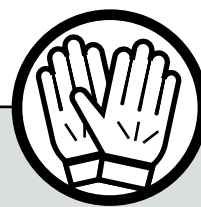
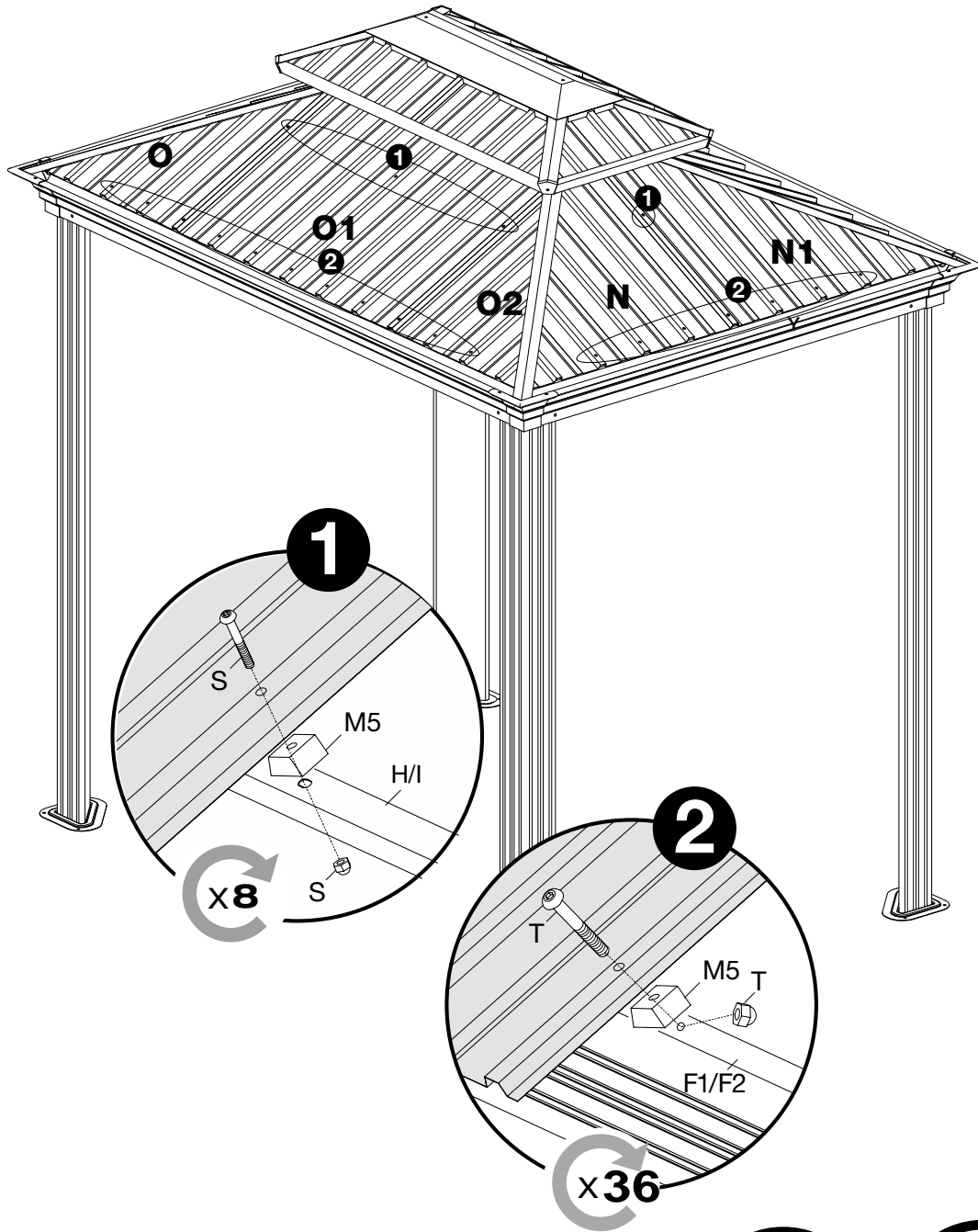


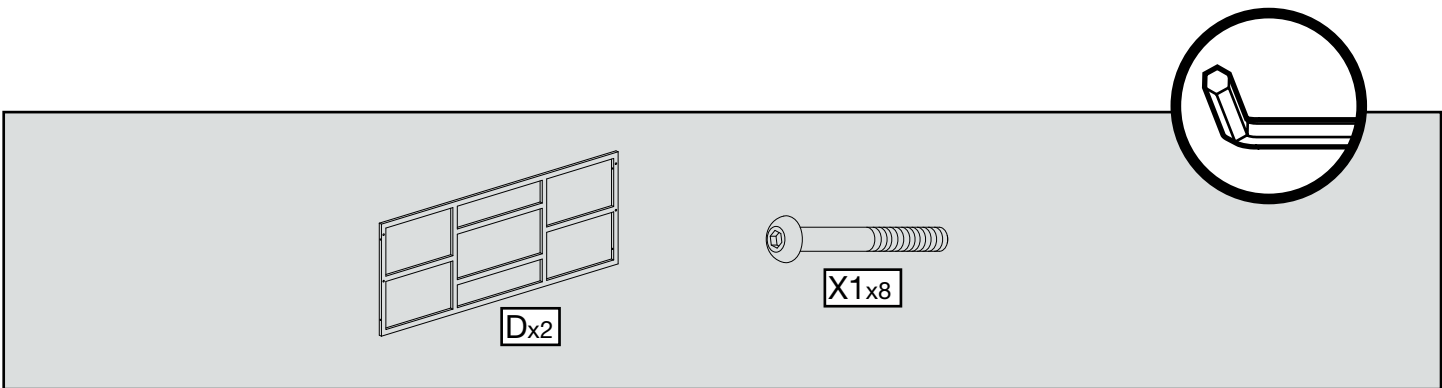
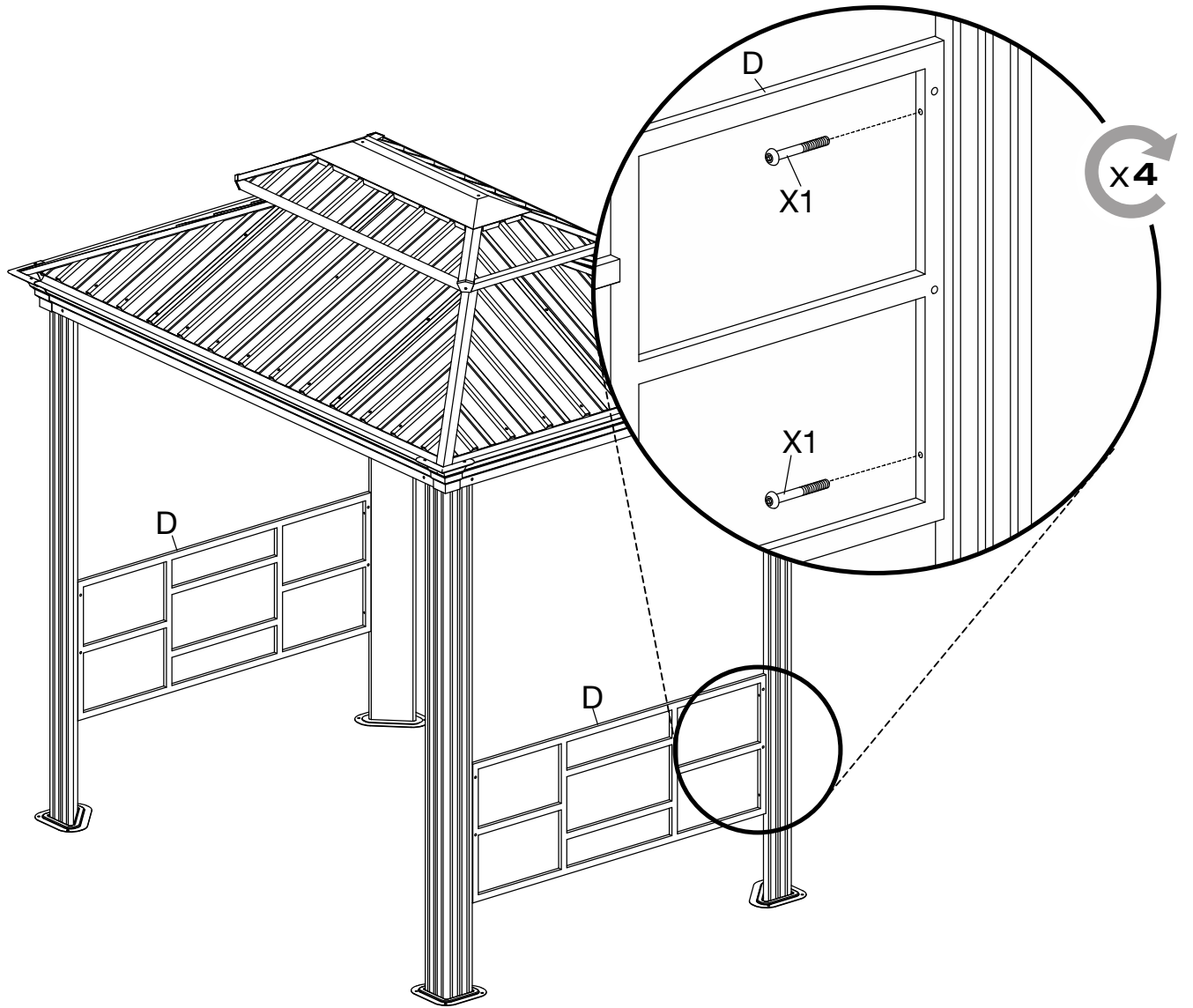


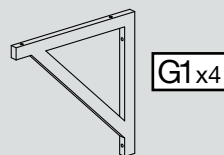
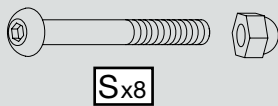
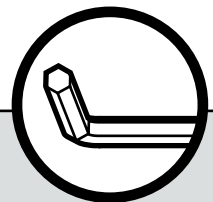
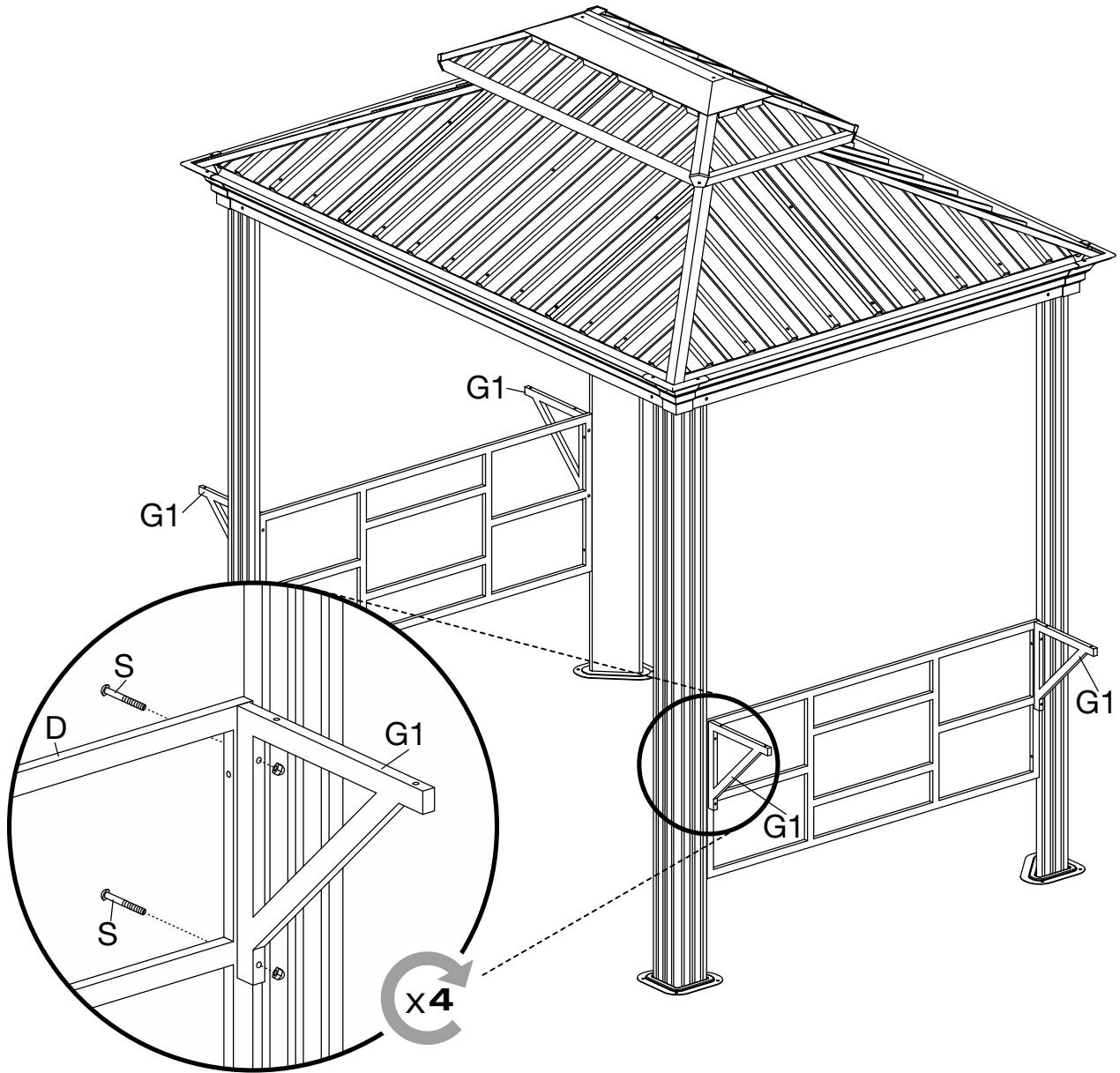
14A/17

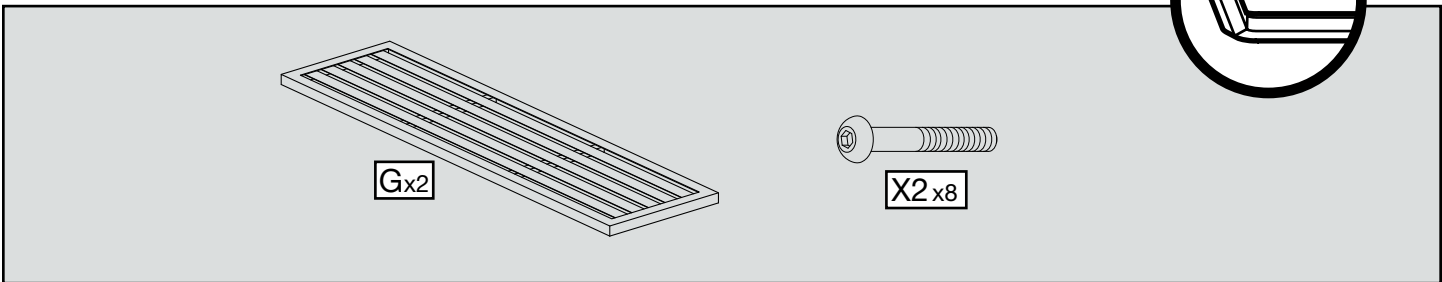
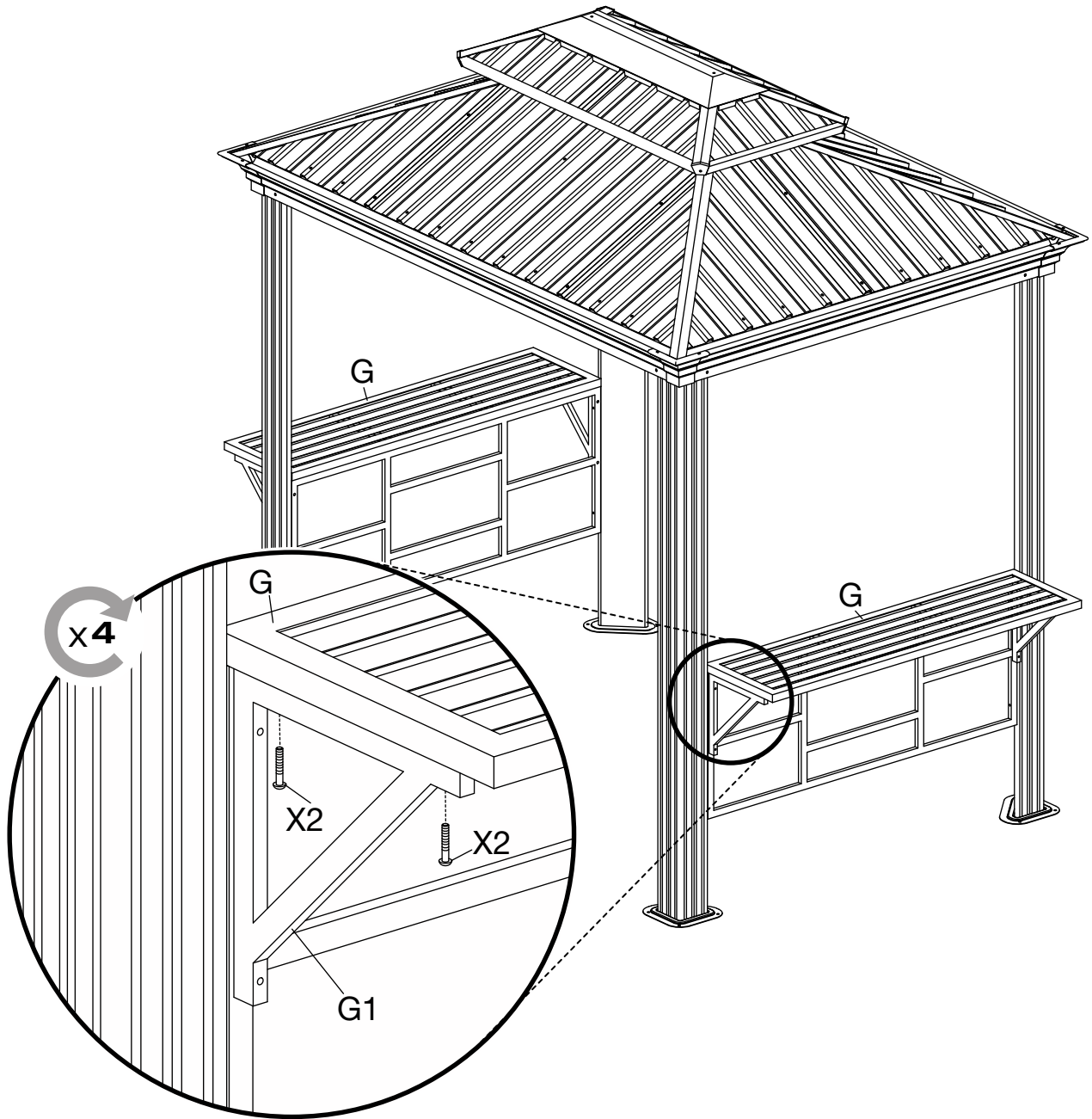


14B/17









Distributed by:

Costco Wholesale Corporation
P.O. Box 34535
Seattle, WA 98124-1535
USA
1-800-774-2678
www.costco.com

Imported by:

Costco Wholesale UK Ltd /
Costco Online UK Ltd
Hartspring Lane
Watford, Herts
WD25 8JS
United Kingdom
01923 213113
www.costco.co.uk

Distribué par:

Costco France
1, avenue de Bréhat
91140 Villebon-sur-Yvette (France)
www.costco.fr

Imported by /**Manufactured for:**

Costco President Taiwan, Inc.
No. 656 Chung-Hwa 5th Road
Kaohsiung, Taiwan
Company Tax ID: 96972798
0800-885-889
www.costco.com.tw

Imported by / Importé par :

Costco Wholesale Canada Ltd.*
415 W. Hunt Club Road
Ottawa, Ontario
K2E 1C5, Canada
1-800-463-3783
www.costco.ca

* faisant affaire au Québec sous le nom
Les Entrepôts Costco

Importado por:

Costco Wholesale Spain S.L.U.
Polígono Empresarial Los Gavilanes
C/ Agustín de Betancourt,17
28906 Getafe (Madrid) España
NIF : B86509460
900 111 155
www.costco.es

Imported by:

Costco Wholesale Japan Ltd.
3-1-4 Ikegami-Shincho
Kawasaki-ku, Kawasaki-shi,
Kanagawa 210-0832 Japan
044-281-2600
www.costco.co.jp

Imported by:

Costco Wholesale Australia Pty Ltd
17-21 Parramatta Road
Lidcombe NSW 2141
Australia
www.costco.com.au

Importado por:

Importadora Primex S.A. de C.V.
Blvd. Magnocentro No.4
San Fernando La Herradura
Huixquilucan, Estado de México
C.P. 52765
RFC: IPR-930907-S70
(55)-5246-5500
www.costco.com.mx

Distributed by:

Costco Wholesale Iceland ehf.
Kauptún 3-7, 210 Gardabaer
Iceland
www.costco.is

**Imported and
Distributed by:**

Costco Wholesale Korea, Ltd.
40, Iljik-ro
Gwangmyeong-si
Gyeonggi-do, 14347, Korea
1899-9900
www.costco.co.kr

SOJAG ■ I

produits saisonniers • seasonal products

Made in China
Fabriqué en Chine
Hecho en China