

# OUTDOOR ODYSSEY PLAYSET

**BILT**® Easy step-by-step 3D interactive instructions for this product can be found in BILT®. Download today.

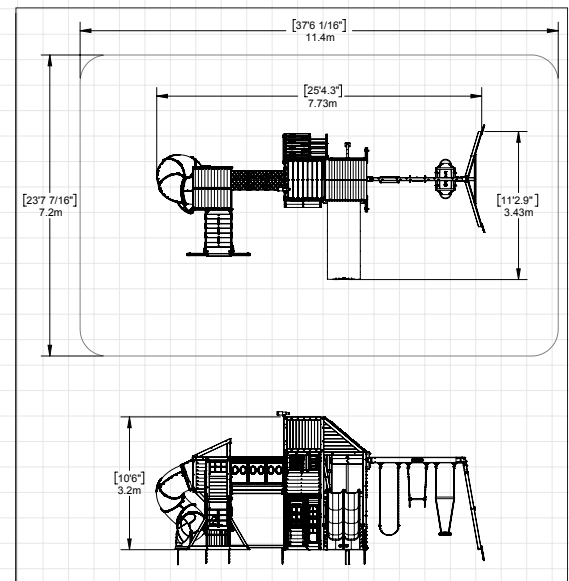


MAXIMUM VERTICAL FALL HEIGHT - 9'10" (3m).

CAPACITY - 12 Users Maximum, Ages 3 to 10; Weight Limit 110 lbs. (50 kg) per child.

RESIDENTIAL HOME USE ONLY. Not intended for public areas such as multi-unit residences, schools, churches, nurseries, day cares or parks.

## Option 1 - Attached Swing Beam Configuration



OBSTACLE FREE SAFETY ZONE - 37'-6 1/16" x 23'-7 7/16" x 16'-4 7/8"  
(11.4 m x 7.2 m x 5 m) area requires Protective Surfacing. See page 5.

IMPORTANT, RETAIN FOR FUTURE REFERENCE:  
READ CAREFULLY

AUSTRALIA: Our goods come with guarantees that cannot be excluded under the Australian Consumer Law. You are entitled to a replacement or refund for a major failure and for compensation for any other reasonably foreseeable loss or damage. You are also entitled to have the goods repaired or replaced if the goods fail to be of acceptable quality and the failure does not amount to a major failure.

# INSTALLATION AND OPERATING INSTRUCTIONS

## FOR 24/7 ONLINE PARTS REPLACEMENT

[parts.kidkraft.com](http://parts.kidkraft.com)

KidKraft, Inc.  
4630 Olin Road  
Dallas, Texas 75244  
USA

[customerservice@kidkraft.com](mailto:customerservice@kidkraft.com)

1.800.933.0771  
972.385.0100

[parts.kidkraft.eu](http://parts.kidkraft.eu)

KidKraft Netherlands BV  
Olympisch Stadion 8  
1076 DE Amsterdam  
The Netherlands

[eupecustomerservice@kidkraft.com](mailto:eupecustomerservice@kidkraft.com)

+31 20 305 8620  
M-F from 09:00 to 17:30 (GMT+1)

9409410E

Rev 11/15/2023



## WARNING

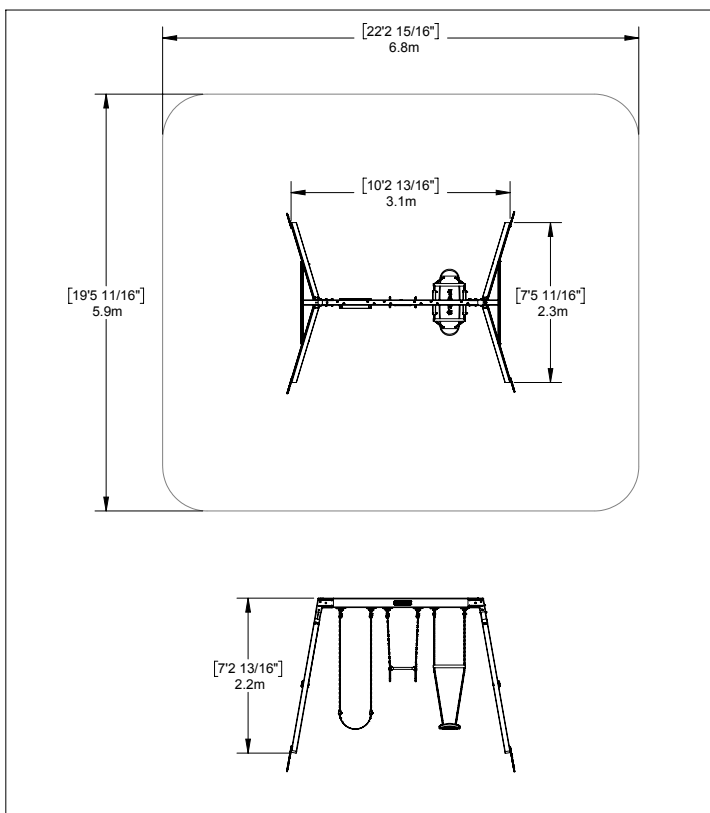
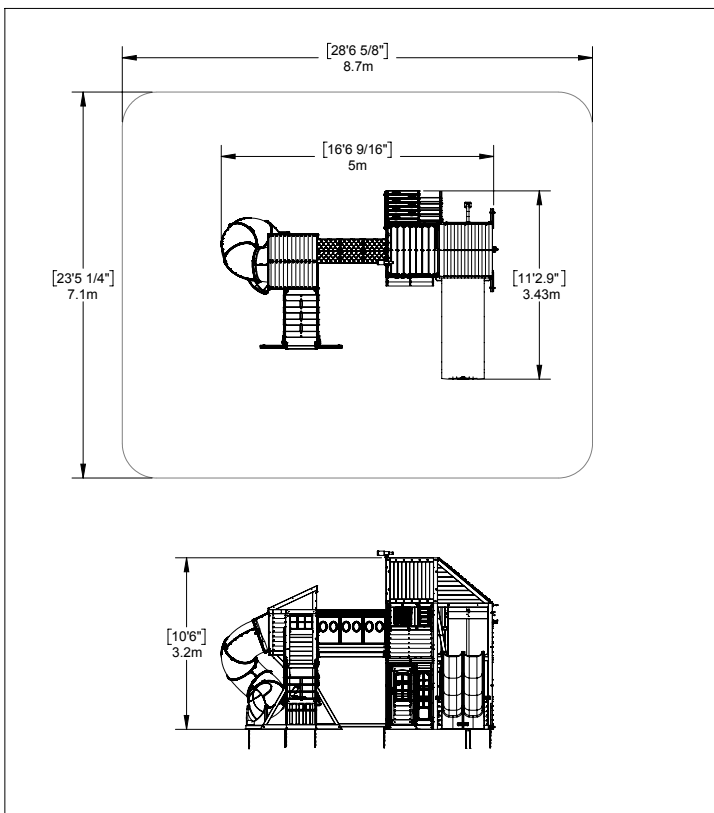
To reduce the risk of serious injury or death, please read and follow these instructions. Keep and refer to instructions as needed and pass along to any future owners of this item.

# Option 2 - Separate Swing Beam Configuration



**OBSTACLE FREE SAFETY ZONE** - 28'-6 5/8" x 23'-5 1/4" x 16'-4 7/8" (8.7 m x 7.1 m x 5 m)  
area requires Protective Surfacing. See page 5.

**OBSTACLE FREE SAFETY ZONE** - 22'-2 15/16" x 19'-5 11/16" x 13'-1 7/16" (6.8 m x 5.9 m x 4 m)  
area requires Protective Surfacing. See page 5.



## **Congratulations on purchasing a KidKraft product!**

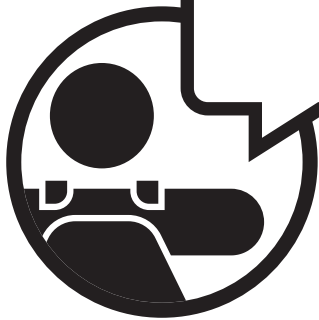
**Our items are made of high-quality, durable Cunninghamia Lanceolata wood from the cypress family.**

**Lumber from these trees are known for their light weight and excellent strength. The porosity of this wood allows the moisture to absorb and evaporate in the fibers, resisting rot and bugs.**

**Engineered for great play, our products also go through extensive testing for safety.**

**Plus, our team has developed a series of proprietary methods for a simpler, more organized assembly. Less build time and more play time is our motto!**

**However, during assembly if you have any questions or concerns, please reach out. Our Customer Service can help with missing parts, instructions or maintenance.**



## Warnings and Safe Play Instructions



**CONTINUOUS ADULT SUPERVISION REQUIRED.** Most serious injuries and deaths on playground equipment have occurred while children were unsupervised! Our products are designed to meet mandatory and voluntary safety standards. Complying with all warnings and recommendations in these instructions will reduce the risk of serious or fatal injury to children using this play system. Go over the warnings and safe play instructions regularly with your children and make certain that they understand and follow them. Remember on-site adult supervision is required for children of all ages.



### WARNING

#### SERIOUS HEAD INJURY HAZARD

Installation over concrete, asphalt, dirt, grass, carpet and other hard surface creates a risk of serious injury or death from falls to the ground. Install and maintain shock absorbing material under and around play-set as recommended on page 3 of these instructions.

#### COLLISION HAZARD

Place play-set on level ground at least 2m from any obstruction such as a garage or house, fences, poles, trees, sidewalks, walls, landscape timbers, rocks, pavement, planters, garden borders, overhanging branches, laundry lines, and electrical wires. (See OBSTACLE FREE SAFETY ZONE on cover)

#### CHOKING HAZARD/SHARP EDGES & POINTS

Adult assembly required. This product contains small parts and parts with sharp edges and points. Keep parts away from children until fully assembled.

#### WARNING LABEL

Owners shall be responsible for maintaining the legibility of the warning labels.

#### STRANGULATION HAZARD

- NEVER allow children to play with ropes, clotheslines, pet leashes, cables, chains or cord-like items when using this play-set or to attach these items to play-set.
- NEVER allow children to wear loose fitting clothing, ponchos, hoods, scarves, capes, necklaces, items with draw-strings, cords or ties when using this play-set.
- NEVER allow children to wear bike or sport helmets when using this play-set.

Failure to prohibit these items, even helmets with chin straps, increases the risk of serious injury and death to children from entanglement and strangulation.

#### TIP OVER HAZARD

Choose a level location for the equipment. This can reduce the likelihood of the play set tipping over and loose-fill surfacing materials washing away during heavy rains.

DO NOT allow children to play on the play-set until the assembly is complete and the unit is properly anchored.

Never add extra length to chain or rope. The chains or ropes provided are the maximum length designed for the swinging element(s).



### WARNING – Safe Play Instructions

- ✓ Observe capacity limitations of your play-set. See front cover.
- ✓ Dress children with well fitting and full foot enclosing footwear.
- ✓ Teach children to sit with their full weight in the center of the swing seat to prevent erratic swing motion or falling off.
- ✓ Check for splintered, broken or cracked wood; missing, loose, or sharp edged hardware. Replace, tighten and or sand smooth as required prior to playing.
- ✓ Verify that suspended climbing ropes, rope ladders, chain or cable are secured at both ends and cannot be looped back on itself as to create an entanglement hazard.
- ✓ On sunny and or hot days, check the slide and other plastic rides to assure that they are not very hot as to cause burns. Cool hot slide and rides with water and wipe dry prior to using.
- ✓ Orientate slide such that it gets the least amount of exposure to the sun.
- ✗ Do not allow children to wear open toe or heel footwear like sandals, flip-flops or clogs.
- ✗ Do not allow children to walk, in front, between, behind or close to moving rides.
- ✗ Do not let children twist swing chains or ropes or loop them over the top support bar. This may reduce the strength of the chain or rope and cause premature failure.
- ✗ Do not let children get off rides while they are in motion.
- ✗ Do not permit climbing on equipment when it is wet.
- ✗ Do not permit rough play or use of equipment in a manner for which it was not intended. Standing on or jumping from the roof, elevated platforms, swings, climbers, ladders or slide can be dangerous.
- ✗ Do not allow children to swing empty rides or seats.
- ✗ Do not allow children to go down slide head first or run up slide.



**KidKraft**  
MADE FOR MAKE BELIEVE™

parts.kidkraft.com

customerservice@kidkraft.com  
1.800.933.0771  
972.385.0100

# ! Protective Surfacing - Reducing Risk of Serious Head Injury From Falls

One of the most important things you can do to reduce the likelihood of serious head injuries is to install shock-absorbing protective surfacing under and around your play equipment. The protective surfacing should be applied to a depth that is suitable for the equipment height in accordance with ASTM F1292. There are different types of surfacing to choose from; whichever product you select, follow these guidelines:

## Loose-Fill Materials

- Maintain a minimum depth of 9 inches (23 cm) of loose-fill materials such as wood mulch/chips, engineered wood fiber (EWF), or shredded/recycled rubber mulch for equipment up to 8 feet (2.45 m) high; and 9 inches (23 cm) of sand or pea gravel for equipment up to 5 feet (1.5 m) high. NOTE: An initial fill level of 12 inches (31 cm) will compress to about a 9-inch (23 cm) depth of surfacing over time. The surfacing will also compact, displace, and settle, and should be periodically raked and refilled to maintain at least a 9-inch (23 cm) depth.
- Use a minimum of 6 inches (16 cm) of protective surfacing for play equipment less than 4 feet (1.22 m) in height. If maintained properly, this should be adequate. (At depths less than 6 inches (16 cm), the protective material is too easily displaced or compacted.)

NOTE: Do not install home playground equipment over concrete, asphalt, or any other hard surface. A fall onto a hard surface can result in serious injury to the equipment user. Grass and dirt are not considered protective surfacing because wear and environmental factors can reduce their shock absorbing effectiveness. Carpeting and thin mats are not adequate protective surfacing. Ground level equipment -- such as a sandbox, activity wall, playhouse or other equipment that has no elevated play surface -- does not need any protective surfacing.

- Use containment, such as digging out around the perimeter and/or lining the perimeter with landscape edging. Don't forget to account for water drainage.
- Periodically rake, check and maintain the depth of the loose-fill surfacing material. Marking the correct depth on the play equipment support posts will help you to see when the material has settled and needs to be raked and or replenished. Be sure to rake and evenly redistribute the surfacing in heavily used areas.
- Do not install loose fill surfacing over hard surfaces such as concrete or asphalt.

## Poured-In-Place Surfaces or Pre-Manufactured Rubber Tiles

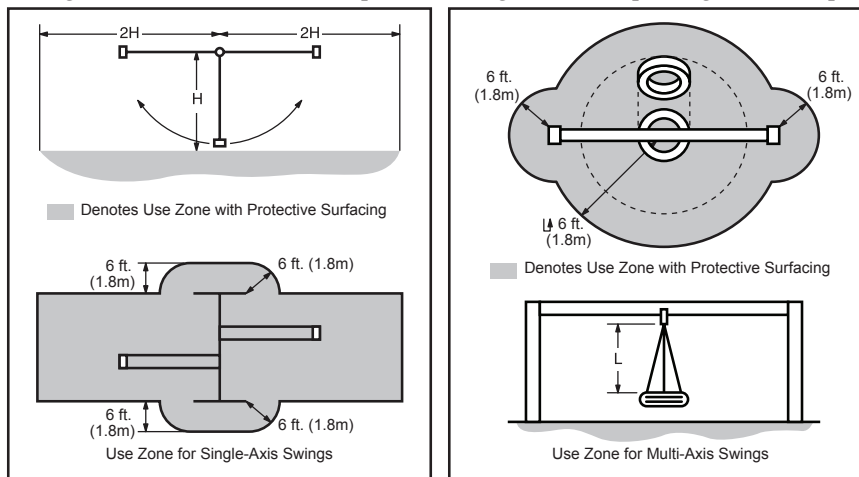
You may be interested in using surfacing other than loose-fill materials - like rubber tiles or poured-in-place surfaces.

- Installations of these surfaces generally require a professional and are not "do-it yourself" projects.
- Review surface specifications before purchasing this type of surfacing. Ask the installer/manufacturer for a report showing that the product has been tested to the following safety standard: ASTM F1292 *Standard Specification for Impact Attenuation of Surfacing Materials within the Use Zone of Playground Equipment*. This report should show the specific height for which the surface is intended to protect against serious head injury. This height should be equal to or greater than the fall height - vertical distance between a designated play surface (*elevated surface for standing, sitting, or climbing*) and the protective surfacing below - of your play equipment.
- Check the protective surfacing frequently for wear.

## Placement

Proper placement and maintenance of protective surfacing is essential. Refer to diagram on front cover. Be sure to;

- Extend surfacing at least 6 feet (1.8 m) from the equipment in all directions.
- For to-fro swings, extend protective surfacing in front of and behind the swing to a distance equal to twice the height of the top bar from which the swing is suspended.
- For tire swings, extend surfacing in a circle whose radius is equal to the height of the suspending chain or rope, plus 6 feet (1.8 m) in all directions.



From the CPSC Outdoor Home Playground Safety Handbook. At <http://www.playgroundregs.com/resources/CPSC%20324.pdf>

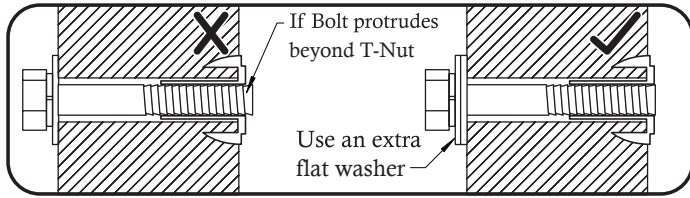
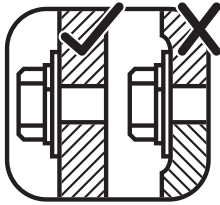
# Instructions for Proper Maintenance

Your KidKraft Play System is designed and constructed of quality materials with your child's safety in mind. As with all outdoor products used by children, it will weather and wear. To maximize the enjoyment, safety and life of your Play Set, it is important that you, the owner, properly maintain it.

## Check the following at the beginning of the play season:

### HARDWARE:

- ✓ Check metal parts for rust. If found, sand and repaint using a non-lead paint complying with 16 CFR 1303.
- ✓ Inspect and tighten all hardware. On wood assemblies **DO NOT OVER-TIGHTEN** as to cause crushing and splintering of wood.
- ✓ Check for sharp edges or protruding screw threads, add washers if required.



### SHOCK ABSORBING SURFACING:

- ✓ Check for foreign objects. Rake and check depth of loose fill protective surfacing materials to prevent compaction and maintain appropriate depth. Replace as necessary. (See Protective Surfacing, page 3)

### GROUND STAKES (ANCHORS):

- ✓ Check for looseness, damage or deterioration. Should firmly anchor unit to ground during use. Re-secure and or replace, if necessary.

### SWING HANGERS:

- ✓ Check that bolts are secure and tight. Quick clips should be completely closed and threaded clips screwed tight.
- ✓ If squeaking occurs lubricate bushings with oil or WD-40®.

### SWINGS, ROPES AND RIDES:

- ✓ Reinstall if removed during cold season. Check all moving parts including swing seats, ropes, chains and attachments for wear, rust and other deterioration. Replace as needed.
- ✓ Check that ropes are tight, secure at both ends and cannot loop back as to create an entrapment.

### WOOD PARTS:

- ✓ Check all wood members for deterioration, structural damage and splintering. Sand down splinters and replace deteriorated wood members. As with all wood, some checking and small cracks in grain is normal.
- ✓ Applying a water repellent or stain (water-based) on a yearly basis is important maintenance to maintain maximum life and performance of the product.

## Check twice a month during play season:

### HARDWARE:

- ✓ Inspect for tightness. Must be firmly against, but not crushing the wood. **DO NOT OVER-TIGHTEN.** This will cause splintering of wood.
- ✓ Check for sharp edges or protruding screw threads. Add washers if required.

### SHOCK ABSORBING SURFACING:

- ✓ Rake and check depth of loose fill protective surfacing materials to prevent compaction and maintain appropriate depth. Replace as necessary. (See Protective Surfacing, page 3)

## Check once a month during play season:

### SWING HANGERS:

- ✓ Check that they are secure and orientated correctly. Hook should rotate freely and perpendicular to support beam.
- ✓ If squeaking occurs lubricate bushings with oil or WD-40®.

### SWINGS AND RIDES:

- ✓ Check swing seats, all ropes, chains and attachments for fraying, wear, excessive corrosion or damage. Replace if structurally damaged or deteriorated.

## Check at the end of the play season:

### SWINGS AND RIDES:

- ✓ To prolong their life, remove swings and store inside when outside temperature is below 32°F/0°C. Below freezing, plastic parts may become more brittle.

### SHOCK ABSORBING SURFACING:

- ✓ Rake and check depth of loose fill protective surfacing materials to prevent compaction and maintain appropriate depth. Replace as necessary. (See Protective Surfacing, page 3)

**If you dispose of your play set:** Please disassemble and dispose of your unit so that it does not create any unreasonable hazards at the time it is discarded. Be sure to follow your local waste ordinances.

## About Our Wood

KidKraft Premium Play Systems uses only premium playset lumber, ensuring the safest product for your children's use. Although we take great care in selecting the best quality lumber available, wood is still a product of nature and susceptible to weathering which can change the appearance of your set.

### **What causes weathering? Does it affect the strength of my Play System?**

One of the main reasons for weathering is the effects of water (moisture); the moisture content of the wood at the surface is different than the interior of the wood. As the climate changes, moisture moves in or out of the wood, causing tension which can result in checking and or warping. You can expect the following due to weathering. These changes will not affect the strength of the product:

1. **Checking** is surface cracks in the wood along the grain. A post 4" x 4" (101mm x 101mm) will experience more checking than a board 1" x 4" (25mm x 101mm) because the surface and interior moisture content will vary more widely than in thinner wood.
2. **Warping** results from any distortion (twisting, cupping) from the original plane of the board and often happens from rapid wetting and drying of the wood.
3. **Fading** happens as a natural change in the wood color as it is exposed to sun-light and will turn a grey over time.

### **How can I reduce the amount of weathering to my Play System?**

At the factory we have coated the wood with a water repellent or stain. This coating decreases the amount of water absorption during rain or snow thus decreasing the tension in the wood. Sunlight will break down the coating, so we recommend applying a water repellent or stain on a yearly basis (see your local stain and paint supplier for a recommended product).

Most weathering is just the normal result of nature and will not affect safe play and enjoyment for your child. However if you are concerned that a part has experienced a severe weathering problem please call our consumer relations department for further assistance.

**Complete and mail registration card to receive important product notifications and assure prompt warranty service.**



# KidKraft Limited Warranty

## MISSING OR DAMAGED PARTS:

KidKraft will replace any parts within 90 days from date of purchase found to be missing from or damaged in the original packaging. See Fig. 1

Fig. 1	<u>Product Age (All Parts)</u> 0-90 Days from date of purchase	<u>Consumer Pays</u> \$0 for Part + Free Shipping
--------	---	--

## DEFECTS IN MATERIAL AND WORKMANSHIP:

KidKraft warrants that this product is free from defects in materials and workmanship for a period of one (1) year from the original date of purchase (dated sales receipt and/or product registration is required). This one (1) year warranty covers all parts including wood, hardware, and all accessories (Such as swings, rides, and slides). See Fig. 2

Fig. 2	<u>Product Age (All Parts)</u> 91 Days to 1 Year	<u>Consumer Pays</u> \$0 for Part + Free Shipping
--------	---	--

## WOOD ROT, DECAY, AND INSECT DAMAGE:

All wood carries a five (5) year warranty against rot, decay, and insect damage (dated sales receipt and/or product registration is required). Refer to the schedule below for charges associated with replacement of wood parts under this **Limited Warranty**. See Fig. 3

Fig. 3	<u>Product Age (Wood Parts)</u> 0 Days to 1 Year After 1 Year to 5 Year Over 5 Years	<u>Consumer Pays</u> \$0 for Part + Free Shipping \$0 for Part + Shipping & Handling 100% for Part (if available) + Shipping & Handling
--------	---	--

This warranty applies to the original owner and registrant and is non-transferable. Regular maintenance is required to ensure the integrity of this product. Failure by the owner to maintain the product according to the maintenance requirements may void this warranty.

This Limited Warranty does NOT cover:

- Any inspection cost
- Labor and/or costs for replacement of any defective item(s), including but not limited to, professional installer costs
- Incidental or consequential damages, including but not limited to, as a result of set relocation, move and/or reinstall
- Cosmetic defects which do not affect performance or integrity of a part or the entire product
- Vandalism, improper use or installation, or acts of nature, including but not limited to, high winds, fire, and flood
- Minor twisting, warping, checking, or any natural occurring properties of wood that do not affect performance or integrity.
- Any KidKraft product purchased, including but not limited to, a non-approved retailer, auction houses, second-hand, and as-is clearance items.

KidKraft products have been designed for safety and quality. Modifications made to the original product may damage the structural integrity of the unit leading to failure and possible injury. KidKraft cannot assume any responsibility for the modified products. Furthermore, modifications void all warranties.

This product is warranted for **RESIDENTIAL USE ONLY**. Under no circumstance should a KidKraft product be used in public settings such as schools, churches, playgrounds, parks, home and professional day cares and the like. Such use may lead to product failure and potential injury. Public use will void this warranty. KidKraft disclaims all other representations and warranties of any kind, express or implied.



parts.kidkraft.com

customerservice@kidkraft.com  
1.800.933.0771  
972.385.0100



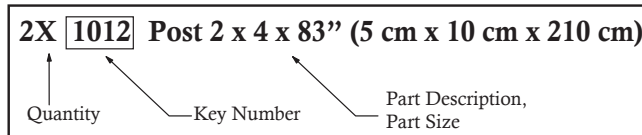
# Keys to Assembly Success

## Tools Required

<ul style="list-style-type: none"> <li>• Tape Measure</li> <li>• Carpenters Level</li> <li>• Carpenters Square</li> <li>• Claw Hammer</li> <li>• Standard or Cordless Drill</li> <li>• Rubber Mallet</li> </ul>	<ul style="list-style-type: none"> <li>• #1 Phillips, #2 Robertson and Screwdriver</li> <li>• Ratchet with extension 1/2" (13mm) &amp; 9/16" (14 mm) sockets</li> </ul>	<ul style="list-style-type: none"> <li>• Open End Wrench 1/2" (13mm) &amp; 9/16" (14 mm)</li> <li>• Adjustable Wrench</li> <li>• 1/8" (3mm) &amp; 3/16" (5mm) Drill Bits</li> </ul>	<ul style="list-style-type: none"> <li>• 3/16" (5mm) Hex Key</li> <li>• 8' (2.4m) Step Ladder</li> <li>• Safety Glasses</li> <li>• Adult Helpers</li> <li>• Pencil</li> </ul>
---	---	---	---

## Part Identification Key

On each page, you will find the parts and quantities required to complete the assembly step illustrated on that page. Here is a sample.



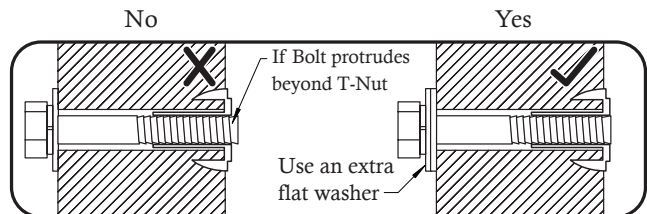
## Symbols

Throughout these instructions symbols are provided as important reminders for proper and safe assembly.

<p>This identifies information that requires special attention. Improper assembly could lead to an unsafe or dangerous condition.</p>	<p>Check that set or assembly is properly level before proceeding.</p> <p>Use Level</p>
<p>Use Help</p> <p>Where this is shown, 2 or 3 people are required to safely complete the step. To avoid injury or damage to the assembly make sure to get help!</p>	<p>Pre-drill 1/8" (3mm) &amp; 3/16" (5mm) Bit</p> <p>Pre-drill a pilot hole before fastening screw or lag to prevent splitting of wood.</p>
<p>Measure Distance</p> <p>Use a measuring tape to assure proper location.</p>	<p>Tighten Bolts</p> <p>This indicates time to tighten bolts, but not too tight! Do not crush the wood. This may create splinters and cause structural damage.</p>
<p>Check that assembly is square before tightening bolts.</p> <p>Square Assembly</p>	

## CAUTION – Protrusion Hazard

Once the assembly is tightened, watch for exposed threads. If a thread protrudes from the T-Nut, remove the bolt and add washers to eliminate this condition. Extra washers have been provided for this purpose.

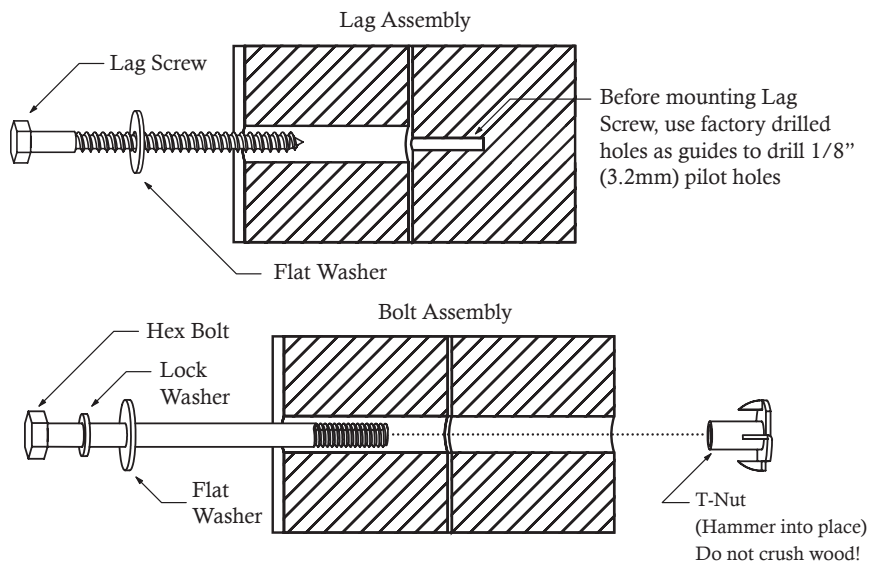


## Proper Hardware Assembly

Lag screws require drilling pilot holes to avoid splitting wood. Only a flat washer is required. For ease of installation liquid soap can be used on all lag-type screws.

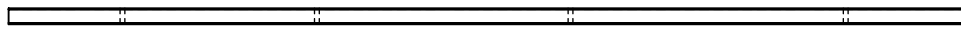
For bolts, tap T-Nut into hole with hammer. Insert the hex bolt through lock washer first then flat washer then hole. Because the assemblies need to be squared do not completely tighten until instructed. Pay close attention to diameter of the bolts. 5/16" (8mm) is slightly larger than 1/4" (6.4mm).

Note: Wafer head bolts with blue lock tight or a bolt with a Ny-Lok nut do NOT require a lock washer.



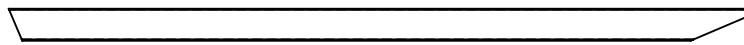
## Part Identification (Reduced Size)

2x - [9538] - 38.1 x 38.1 x 1902 mm - 3819538



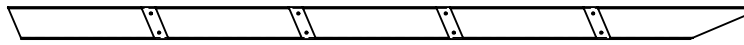
1 1/2 in x 1 1/2 in x 74 7/8 in

1x - [9058] - 34.9 x 63.5 x 1468.8 mm - 3589058



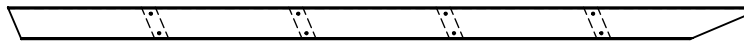
1 3/8 in x 2 1/2 in x 57 53/64 in

1x - [9054] - 34.9 x 63.5 x 1468.8 mm - 3589054



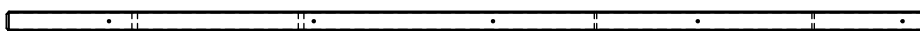
1 3/8 in x 2 1/2 in x 57 53/64 in

1x - [9055] - 34.9 x 63.5 x 1468.8 mm - 3589055



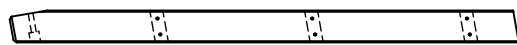
1 3/8 in x 2 1/2 in x 57 53/64 in

2x - [9553] - 38.1 x 38.1 x 1828.8 mm - 3819553



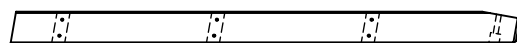
1 1/2 in x 1 1/2 in x 72 in

1x - [9569] - 34.9 x 63.5 x 1011 mm - 3589569



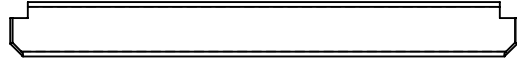
1 3/8 in x 2 1/2 in x 39 13/16 in

1x - [9570] - 34.9 x 63.5 x 1011 mm - 3589570



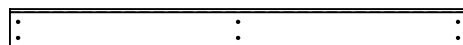
1 3/8 in x 2 1/2 in x 39 13/16 in

1x - [2611] - 23.8 x 108 x 1006.5mm - 3582611



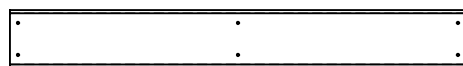
15/16 in x 4 1/4 in x 39 5/8 in

2x - [9540] - 15.9 x 82.6 x 904.9 mm - 3589540



5/8 in x 3 1/4 in x 35 5/8 in

22x - [9051] - 15.9 x 114.3 x 904.9 mm - 3589051



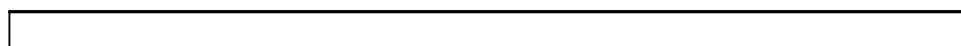
5/8 in x 4 1/2 in x 35 5/8 in

1x - [9541] - 23.8 x 57.2 x 838.2mm - 3589541



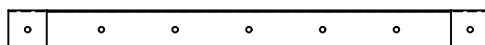
15/16 in x 2 1/4 in x 32 in

1x - [9542] - 31.8 x 76.2 x 1906 mm - 3819542



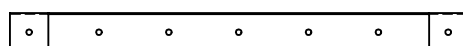
1 1/4 in x 3 in x 75 1/16 in

4x - [9555] - 31.8 x 76.2 x 954.3 mm - 3819555



1 1/4 in x 3 in x 37 9/16 in

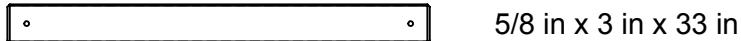
2x - [9558] - 31.8 x 76.2 x 908 mm - 3819558



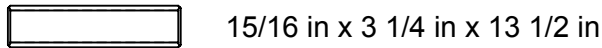
1 1/4 in x 3 in x 35 3/4 in

## Part Identification (Reduced Size)

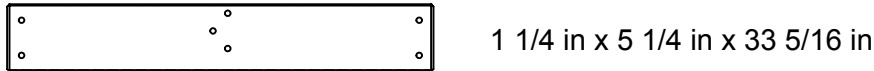
15x - [9566] - 15.9 x 76.2 x 838.2 mm - 3819566



3x - [9571] - 23.8 x 82.6 x 343 mm - 3589571



1x - [10663] - 31.8 x 133.4 x 846.3 mm - 38110663



2x - [2606] - 23.8 x 82.6 x 362 mm - 3812606



2x - [2607] - 31.8 x 76.2 x 558.8mm - 3812607



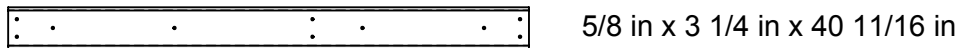
2x - [9537] - 31.8 x 76.2 x 714.8 mm - 3819537



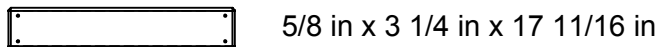
1x - [9539] - 31.8 x 31.8 x 1006.5 mm - 3819539



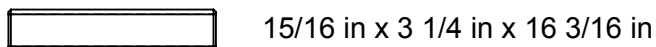
1x - [9543] - 15.9 x 82.6 x 1033.5 mm - 3589543



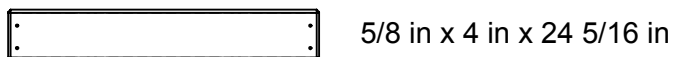
1x - [9544] - 15.9 x 82.6 x 449.3 mm - 3589544



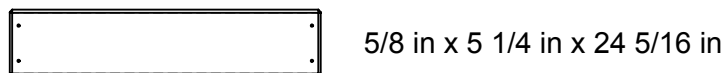
4x - [9545] - 23.8 x 82.6 x 411.2 mm - 3589545



1x - [9546] - 15.9 x 101.6 x 617 mm - 3589546



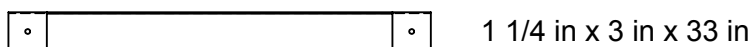
7x - [9547] - 15.9 x 133.4 x 617 mm - 3589547



1x - [9548] - 23.8 x 82.6 x 704.9 mm - 3589548

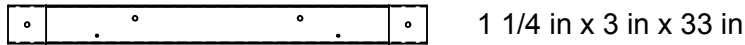


2x - [9556] - 31.8 x 76.2 x 838.2 mm - 3819556

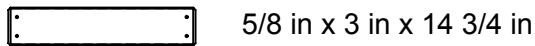


# Part Identification (Reduced Size)

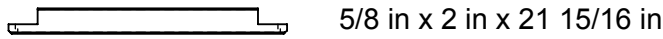
4x - [9557] - 31.8 x 76.2 x 838.2 mm - 3819557



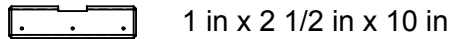
1x - [9572] - 15.9 x 76.2 x 374.6 mm - 3589572



1x - [9579] - 15.9 x 50.8 x 557.1 mm - 3589579



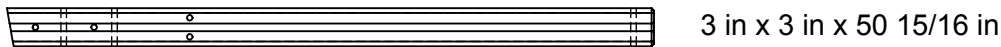
1x - [2715] - 25.4 x 63.5 x 254 mm - 3812715



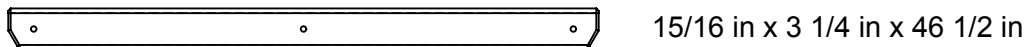
4x - [2613] - 50.8 x 76.2 x 2201.9 mm - 3812613



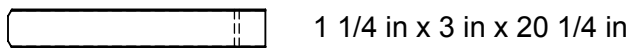
1x - [2615] - 76.2 x 76.2 x 1294.3 mm - 3812615



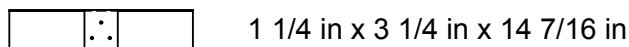
2x - [2616] - 23.8 x 82.6 x 1181.1 mm - 3812616



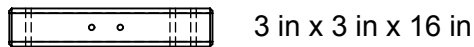
1x - [8965] - 31.8 x 76.2 x 514.4 mm - 3818965



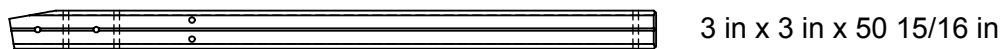
2x - [6040] - 31.8 x 82.6 x 367 mm - 3816040



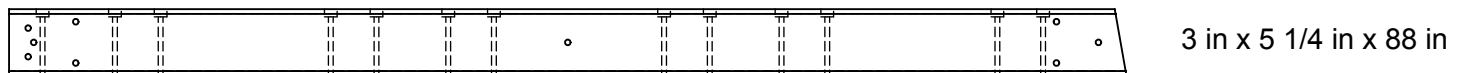
1x - [9352] - 76.2 x 76.2 x 406.4mm - 3819352



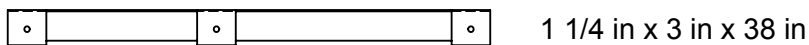
1x - [10586] - 76.2 x 76.2 x 1294.3 mm - 38110586



1x - [10587] - 76.2 x 133.4 x 2235.2mm - 38110587



1x - [10222] - 31.8 x 76.2 x 965.1 mm - 38110222

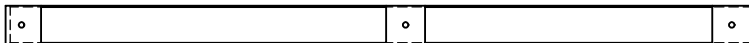


1x - [10224] - 31.8 x 76.2 x 1479.6 mm - 38110224



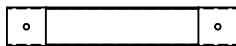
## Part Identification (Reduced Size)

2x - **10636** - 31.8 x 76.2 x 1479.6 mm - 38110636



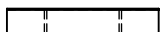
1 1/4 in x 3 in x 58 1/4 in

1x - **10226** - 31.8 x 76.2 x 457.1 mm - 38110226



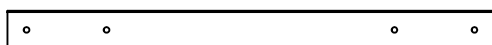
1 1/4 in x 3 in x 18 in

1x - **10227** - 31.8 x 50.8 x 300.7 mm - 38110227



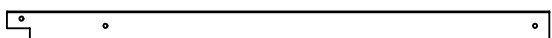
1 1/4 in x 2 in x 11 13/16 in

2x - **10228** - 31.8 x 76.2 x 965.1 mm - 38110228



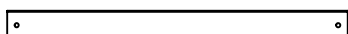
1 1/4 in x 3 in x 38 in

2x - **10229** - 31.8 x 76.2 x 1435.1 mm - 38110229



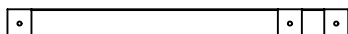
1 1/4 in x 3 in x 56 1/2 in

1x - **10230** - 31.8 x 76.2 x 901.5 mm - 38110230



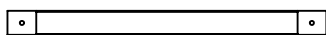
1 1/4 in x 3 in x 35 1/2 in

2x - **10231** - 31.8 x 76.2 x 901.5 mm - 38110231



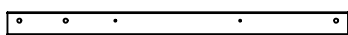
1 1/4 in x 3 in x 35 1/2 in

3x - **10232** - 31.8 x 63.5 x 843.4 mm - 38110232



1 1/4 in x 2 1/2 in x 33 3/16 in

1x - **10233** - 31.8 x 60.3 x 901.5 mm - 38110233



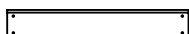
1 1/4 in x 2 3/8 in x 35 1/2 in

2x - **10234** - 38.1 x 38.1 x 959 mm - 38110234



1 1/2 in x 1 1/2 in x 37 3/4 in

2x - **10235** - 15.9 x 76.2 x 479.2 mm - 35810235



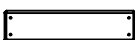
5/8 in x 3 in x 18 7/8 in

7x - **10236** - 15.9 x 114.3 x 479.2 mm - 35810236



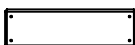
5/8 in x 4 1/2 in x 18 7/8 in

1x - **10237** - 15.9 x 82.6 x 345.2 mm - 35810237



5/8 in x 3 1/4 in x 13 9/16 in

8x - **10238** - 15.9 x 101.6 x 345.2 mm - 35810238



5/8 in x 4 in x 13 9/16 in

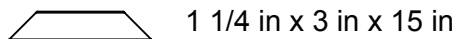
2x - **10239** - 15.9 x 72.6 x 961.1 mm - 38110239



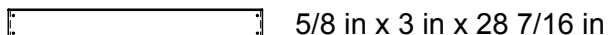
5/8 in x 2 7/8 in x 37 13/16 in

## Part Identification (Reduced Size)

4x - [10240] - 31.8 x 76.2 x 381 mm - 38110240



2x - [10637] - 15.9 x 76.2 x 723 mm - 38110637



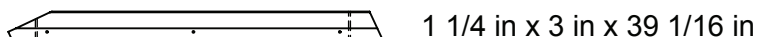
3x - [10256] - 23.8 x 85.7 x 963.2 mm - 35810256



2x - [10257] - 38.1 x 38.1 x 257.1 mm - 35810257



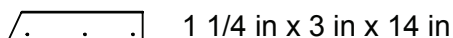
1x - [10258] - 31.8 x 76.2 x 991.4 mm - 38110258



1x - [10259] - 31.8 x 76.2 x 991.4 mm - 38110259



2x - [10262] - 31.8 x 76.2 x 355 mm - 38110262



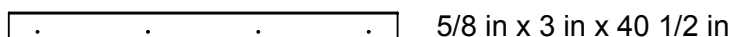
2x - [10263] - 31.8 x 76.2 x 312 mm - 38110263



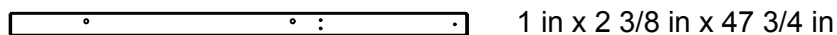
1x - [10271] - 31.8 x 76.2 x 997 mm - 38110271



1x - [10588] - 15.9 x 76.2 x 1028.7 mm - 38110588



1x - [10639] - 25.4 x 60.3 x 1213 mm - 38110639



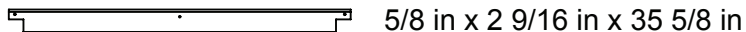
1x - [10640] - 25.4 x 60.3 x 1213 mm - 38110640



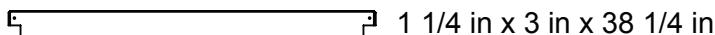
1x - [10641] - 25.4 x 60.3 x 846.2 mm - 38110641



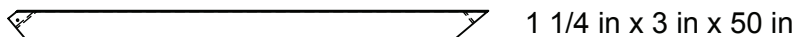
1x - [10642] - 15.9 x 65.5 x 904.9 mm - 35810642



1x - [10643] - 31.8 x 76.2 x 971.6 mm - 38110643

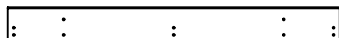


2x - [10644] - 31.8 x 76.2 x 1270 mm - 38110644

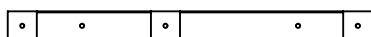


## Part Identification (Reduced Size)

1x - [10645] - 15.9 x 88.9 x 878 mm - 35810645

 5/8 in x 3 1/2 in x 34 9/16 in

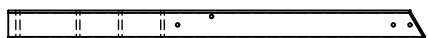
1x - [10646] - 31.8 x 76.2 x 965.1 mm - 38110646

 1 1/4 in x 3 in x 38 in

1x - [10647] - 31.8 x 76.2 x 1028.7 mm - 38110647

 1 1/4 in x 3 in x 40 1/2 in


2x - [10648] - 31.8 x 76.2 x 1107.6 mm - 38110648

 1 1/4 in x 3 in x 43 5/8 in

2x - [10649] - 31.8 x 76.2 x 1583.5 mm - 38110649

 1 1/4 in x 3 in x 62 5/16 in


2x - [10650] - 31.8 x 63.5 x 832.9 mm - 38110650

 1 1/4 in x 2 1/2 in x 32 13/16 in

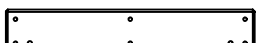
1x - [10651] - 25.4 x 88.9 x 1752.2 mm - 38110651

 1 in x 3 1/2 in x 69 in

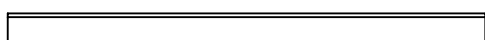
3x - [10652] - 63.5 x 31.8 x 575.6 mm - 35810652

 2 1/2 in x 1 1/4 in x 22 21/32 in

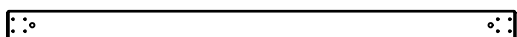
5x - [10653] - 23.8 x 114.3 x 658.2 mm - 35810653

 15/16 in x 4 1/2 in x 25 15/16 in

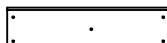
1x - [10654] - 63.5 x 82.6 x 1263.7 mm - 38110654

 2 1/2 in x 3 1/4 in x 49 3/4 in


6x - [10655] - 31.8 x 76.2 x 1346.2 mm - 38110655

 1 1/4 in x 3 in x 53 in


11x - [10656] - 15.9 x 114.3 x 428.6 mm - 35810656

 5/8 in x 4 1/2 in x 16 7/8 in

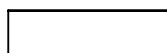
1x - [10657] - 15.9 x 76.2 x 428.6 mm - 35810657

 5/8 in x 3 in x 16 7/8 in

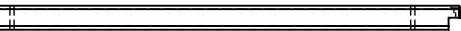
2x - [10658] - 31.8 x 139.6 x 428.6 mm - 38110658

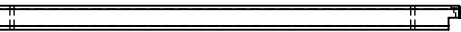
 1 1/4 in x 5 1/2 in x 16 7/8 in

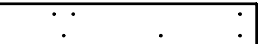
1x - [10659] - 31.8 x 133.4 x 428.6 mm - 38110659

 1 1/4 in x 5 1/4 in x 16 7/8 in

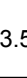
## Part Identification (Reduced Size)

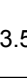
1x -  - 76.2 x 63.5 x 1314.5 mm - 30210660


 3 in x 2 1/2 in x 51 3/4 in

1x -  - 15.9 x 114.3 x 1028.7 mm - 38110661

 5/8 in x 4 1/2 in x 40 1/2 in

3x -  - 31.8 x 63.5 x 127 mm - 3589998

 1 1/4 in x 2 1/2 in x 5 in

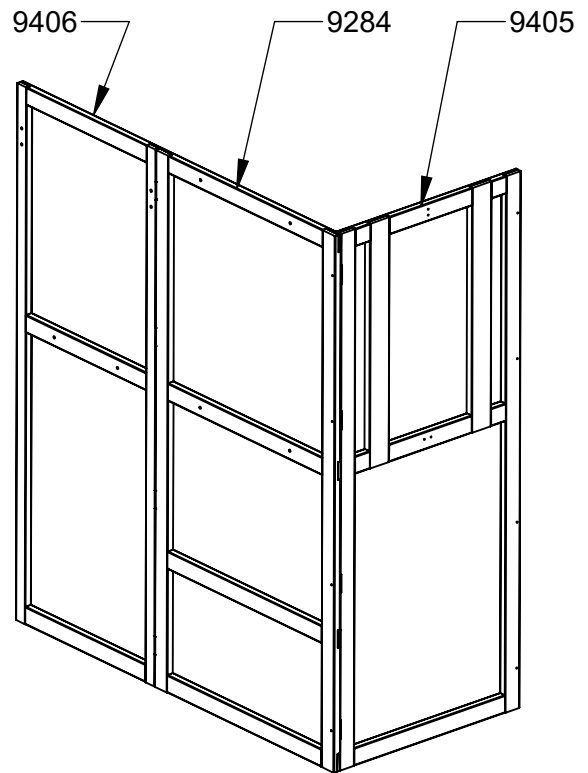
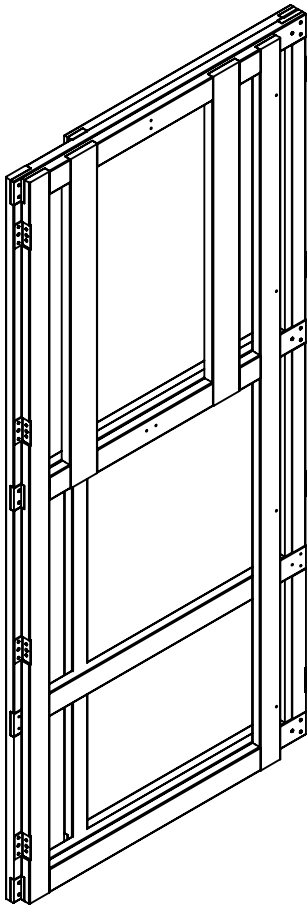
1x -  - 25.4 x 60.3 x 855.3 mm - 38110664

 1 in x 2 3/8 in x 33 11/16 in



# Part Identification (Reduced Size)

1x - [9404] - Back Panel Assembly - 3 3/4 in x 43 in x 92 in  
95.4 x 1092.2 x 2336.8 mm



If you need to order parts,  
please order below part #

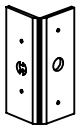
1x - [9284] - Back Wall - 37819284

1x - [9405] - Panel End - 37819405

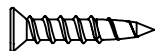
1x - [9406] - Narrow Back Wall - 37819406

8x - Wall Hinge - 9325984

32x - Truss Head Screw #8 x 18 - 52933505



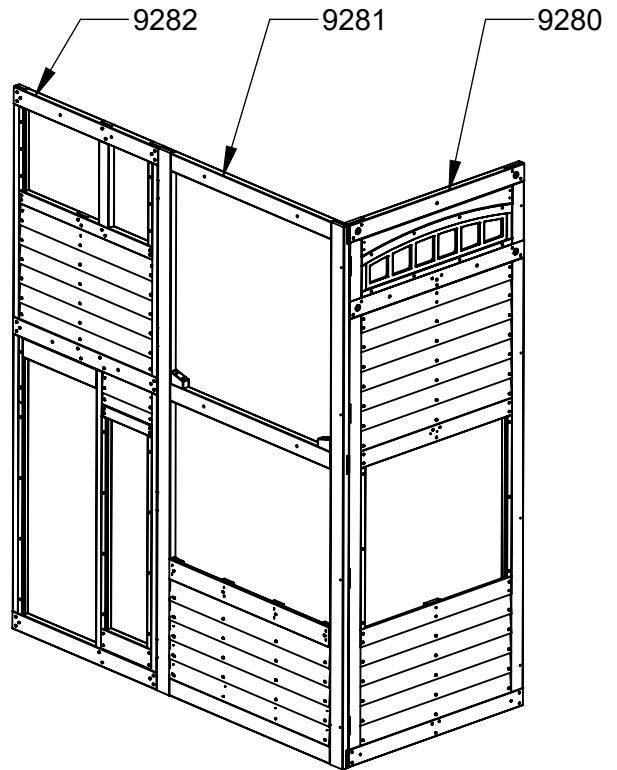
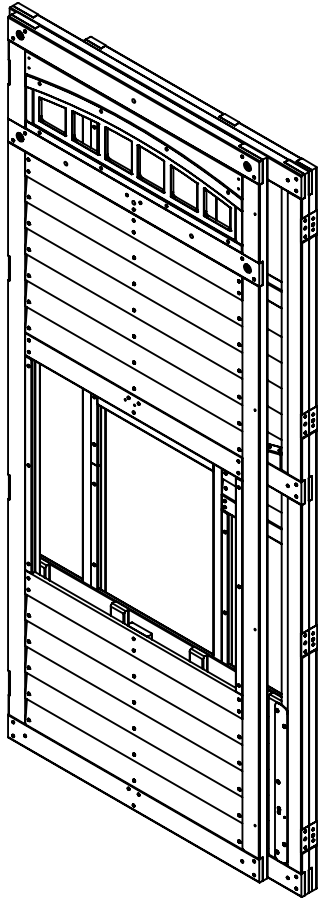
9325984



52933505

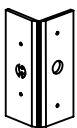
# Part Identification (Reduced Size)

1x - **9286** - Front Panel Assembly - 3 3/4 in x 43 in x 92 in  
95.4 x 1092.2 x 2336.8 mm

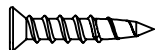


If you need to order parts,  
please order below part #

- 1x - **9280** - SW Wall Panel - 37819280
- 1x - **9281** - Panel Front Wall - 37819281
- 1x - **9282** - Door Wall - 37819282
- 8x - Wall Hinge - 9325984
- 32x - Truss Head Screw #8 x 18 - 52933505



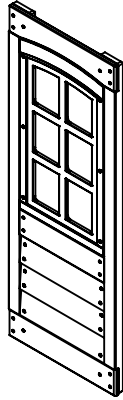
9325984



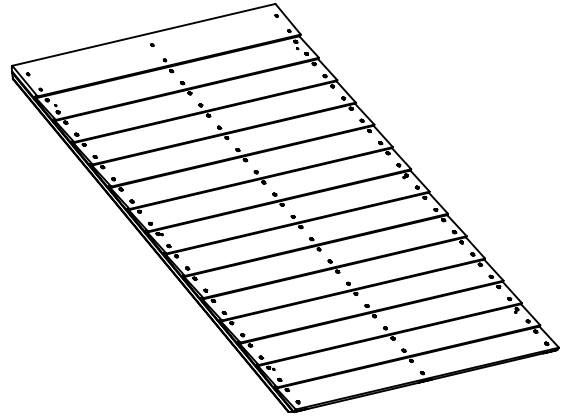
52933505

# Part Identification (Reduced Size)

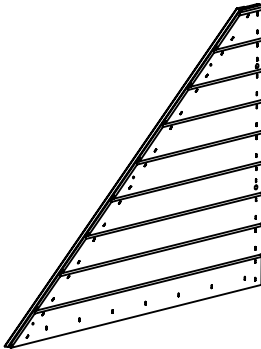
1x -[2837](#) - 1 1/4 in x 15 3/4 in x 42 1/8 in - 37582837  
31.8 x 400 x 1070 mm



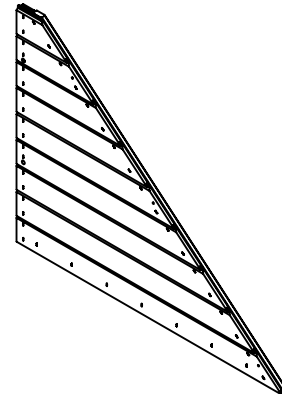
1x -[9407](#) - 1 1/8 in x 40 1/4 in x 50 9/16 in - 37589407  
28.6 x 1022.4 x 1284.3 mm



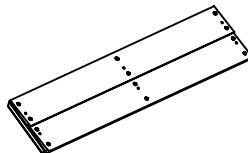
1x -[9408](#) - 1 in x 39 in x 30 in - 37819408  
25.4 x 990.6 x 762 mm



1x -[9409](#) - 1 in x 39 in x 30 in - 37819409  
25.4 x 990.6 x 762 mm

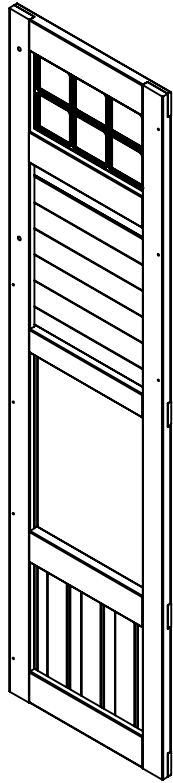


1x -[9410](#) - 1 in x 6 13/16 in x 34 9/16 in - 37589410  
25.4 x 172.4 x 878 mm

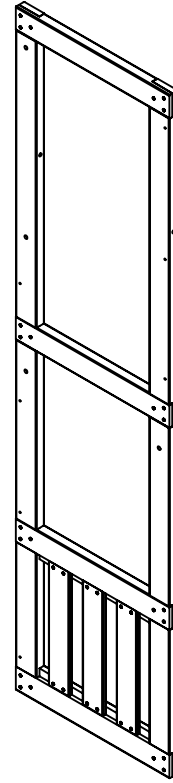


# Part Identification (Reduced Size)

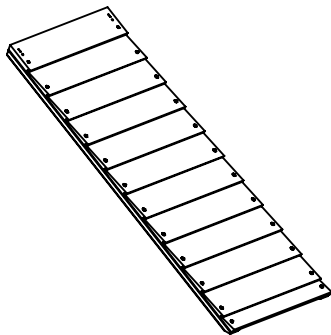
1x -**9411** - 1 1/4 in x 22 11/16 in x 87 5/16 in -37819411  
31.8 x 576.3 x 2217.7 mm



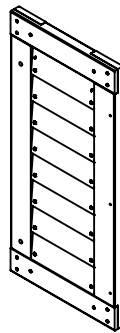
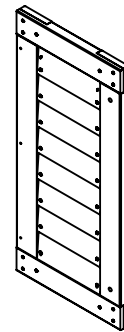
1x -**9412** - 1 1/4 in x 22 11/16 in x 87 5/16 in -37819412  
31.8 x 576.3 x 2217.7 mm



2x -**9374** - 1 1/8 in x 38 9/16 in x 19 3/8 in -37589374  
28.6 x 979.5 x 492.1 mm



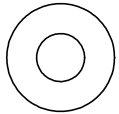
1x -**9371** - 1 1/4 in x 15 5/16 in x 33 3/16 in -37819371  
31.8 x 389.6 x 843.4 mm



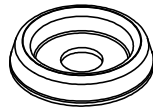
1x -**9370** - 1 1/4 in x 15 5/16 in x 33 3/16 in -37819370  
31.8 x 389.6 x 843.4 mm

# Hardware Identification (Actual Size)

14 x (FW0) - 3/16 in - 51103100  
4.8mm



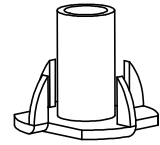
8 x (FW6) - #12 - 9299500



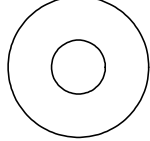
73 x (LN1) - 1/4 in - 54303200  
6.4mm



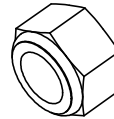
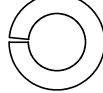
46 x (TN1) - 1/4 in - 54503200  
6.4mm



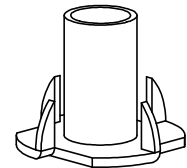
65 x (FW1) - 1/4 in - 51103200  
6.4mm



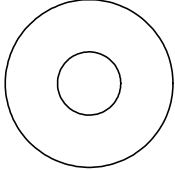
83 x (LW2) - 5/16 in - (51303300) 33 x (LN2) - 5/16 in - 54303300  
7.9mm



96 x (TN2) - 5/16 in - 54503300  
7.9mm



145 x (FW2) - 5/16 in - 51103300  
7.9mm



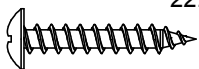
60 x (LW1) - 1/4 in - (51303200)  
6.4mm



17 x (LN4) - #12 - 54303600



106 x (S0) - #8 x 7/8 in - 52933505  
22.2mm



12 x (S2) - #8 x 1-1/2 in - 52043512  
38.1mm



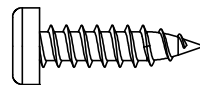
90 x (S3) - #8 x 2-1/2 in - 52043522  
63.5mm



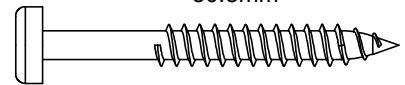
46 x (S4) - #8 x 3 in - 52043530  
76.2mm



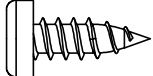
13 x (S6) - #12 x 1 in - 52433610  
25.4mm



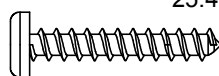
71 x (S7) - #12 x 2 in - 52433620  
50.8mm



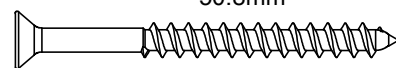
48 x (S8) - #12 x 3/4 in - 52433603  
19mm



34 x (S10) - #8 x 1 in - 52433510  
25.4mm



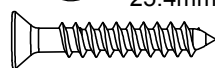
54 x (S11) - #8 x 2 in - 52043520  
50.8mm



12 x (S15) - #8 x 1-3/4 in - 52043513  
44.5mm



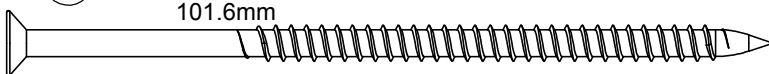
4 x (S18) - #6 x 1 in - 52013910  
25.4mm



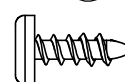
325 x (S20) - #8 x 1-3/8 in - 52043516  
34.9mm



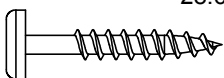
6 x (S24) - #10 x 4 in - 52043940  
101.6mm



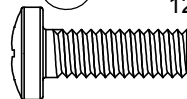
31 x (S37) - #7 x 5/8 in - 52433009  
15.9mm



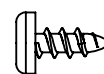
4 x (S38) - #7 x 1-1/8 in - 52433014  
28.6mm



17 x (MB1) - #12 x 1/2 in - 53433602  
12.7mm

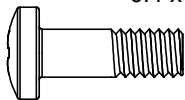


2 x (S5) - #8 x 1/2 in - 52433502  
12.7mm

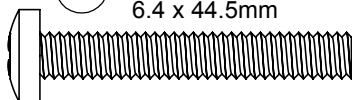


# Hardware Identification (Actual Size)

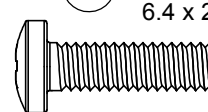
49 x (PB1) - 1/4 x 3/4 in - 53453203  
6.4 x 19.1mm



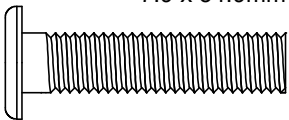
14 x (PB3) - 1/4 x 1-3/4 in - 53433213  
6.4 x 44.5mm



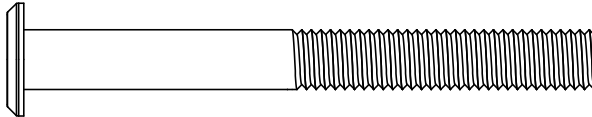
11 x (PB6) - 1/4 x 1 in - 53413210  
6.4 x 25.4mm



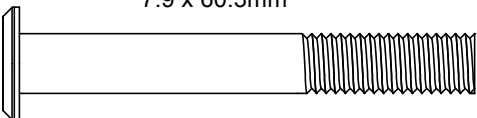
33 x (WB2) - 5/16 x 1-3/8 in - 53613316  
7.9 x 34.9mm



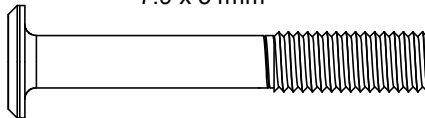
5 x (WB7) - 5/16 x 3 in - (53613330)  
7.9 x 76.2mm



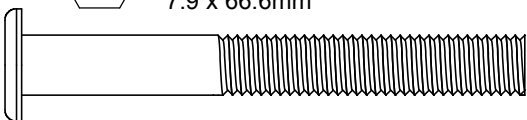
22 x (WB8) - 5/16 x 2-3/8 in - 53613326  
7.9 x 60.3mm



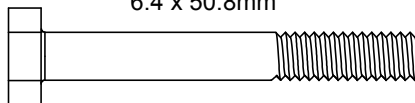
2 x (WB9) - 5/16 x 2-1/8 in - 53613324  
7.9 x 54mm



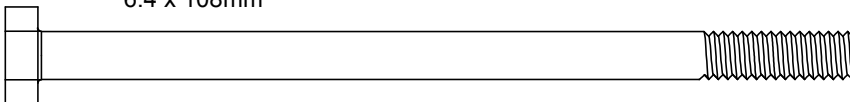
16 x (WB10) - 5/16 x 2-5/8 in - 53613329  
7.9 x 66.6mm



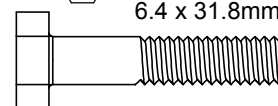
30 x (H2) - 1/4 x 2 in - 53703220  
6.4 x 50.8mm



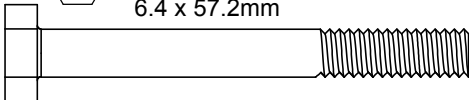
1 x (H8) - 1/4 x 4-1/4 in - 53703241  
6.4 x 108mm



3 x (H9) - 1/4 x 1-1/4 in - 53703211  
6.4 x 31.8mm



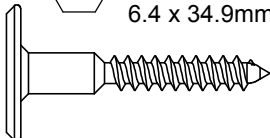
6 x (H10) - 1/4 x 2-1/4 in - 53703221  
6.4 x 57.2mm



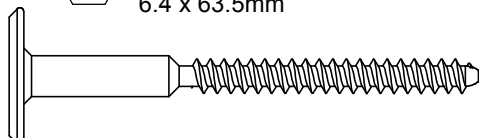
6 x (H11) - 1/4 x 2-3/4 in - 53703223  
6.4 x 69.9mm



16 x (WL3) - 1/4 x 1-3/8 in - 52613216  
6.4 x 34.9mm

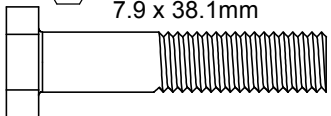


46 x (WL5) - 1/4 x 2-1/2 in - 52613222  
6.4 x 63.5mm

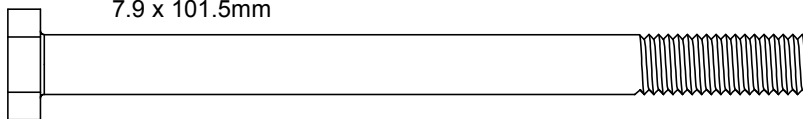


# Hardware Identification (Actual Size)

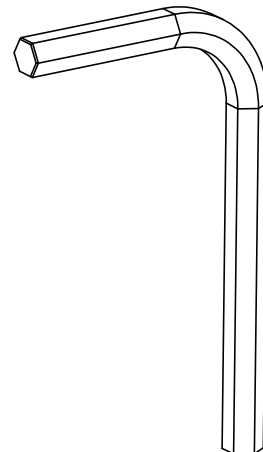
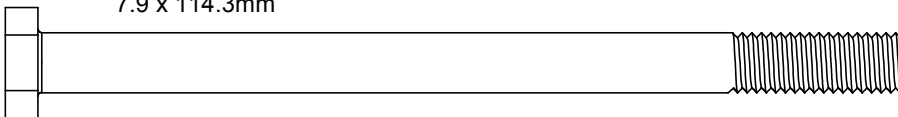
4 x **G1** - 5/16 x 1-1/2 in - 53703312  
7.9 x 38.1mm



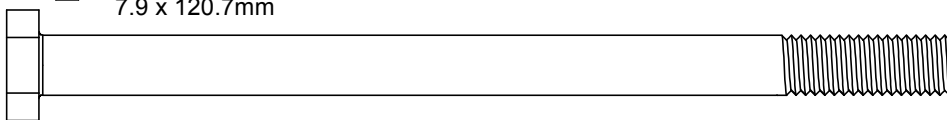
8 x **G4** - 5/16 x 4 in - 53703340  
7.9 x 101.5mm



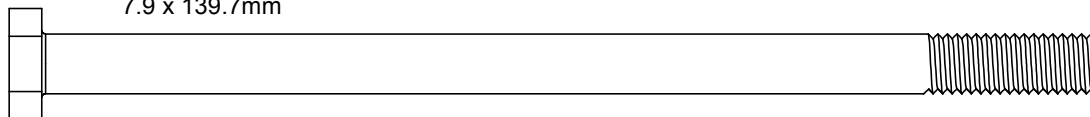
9 x **G5** - 5/16 x 4-1/2 in - 53703342  
7.9 x 114.3mm



1 x **G6** - 5/16 x 4-3/4 in - 53703343  
7.9 x 120.7mm



16 x **G7** - 5/16 x 5-1/2 in - 53703352  
7.9 x 139.7mm

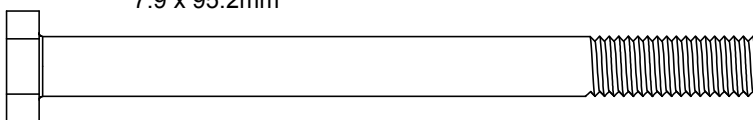


1 x **D5** - 3/16 in - 9200022

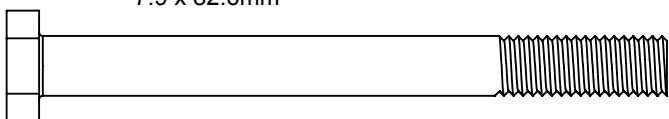
4 x **G9** - 5/16 x 2-1/2 in - 53703322  
7.9 x 63.5mm



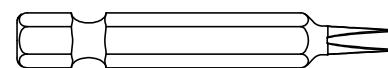
10 x **G21** - 5/16 x 3-3/4 in - 53703333  
7.9 x 95.2mm



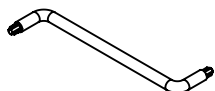
1 x **G35** - 5/16 x 3-1/4 in - 53703331  
7.9 x 82.6mm



1 x **D4** - #2 x 2 - 9200014



## Reduced Part Size



1x - D1 (9200015)



1x - 1/8 in x 3 in  
(3.2 x 76.2mm)  
(9300183)

# Part Identification (Reduced Part Size)

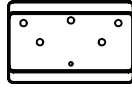
1x - 3320353



1x - 9320371



7x - 9330026

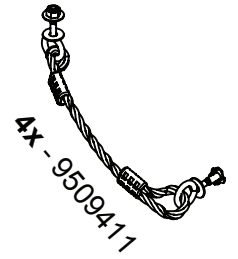


2x - 9320082RD

1x - 9320082YL

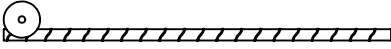
2x - 9320082BL

2x - 9320082LG



4x - 9509411

13x - 9290318



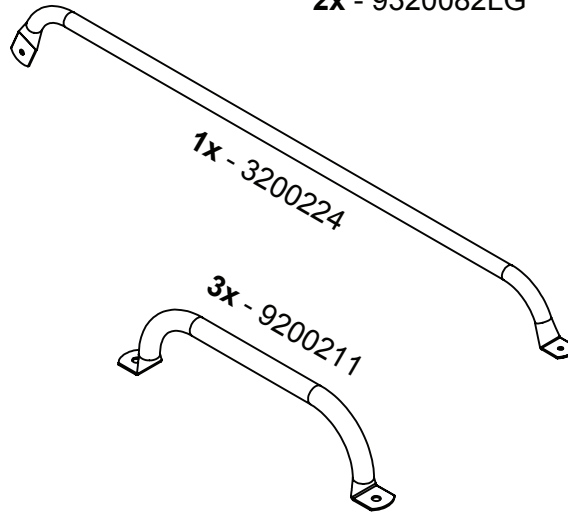
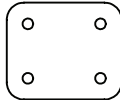
26x - 9329920



4x - 9201950

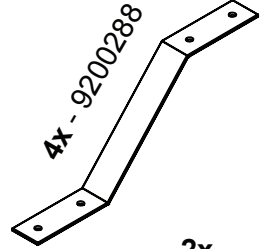


2x - 9200149



1x - 3200224

10x - 9509410

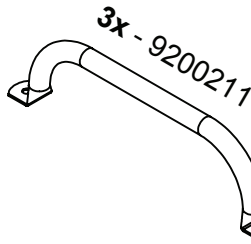
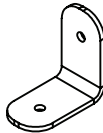


4x - 9200288

4x - 9200025



1x - 9200151



3x - 9200211

2x - 9200660

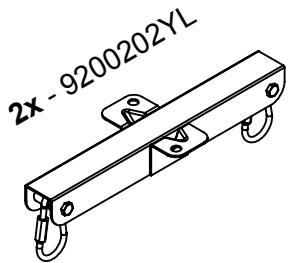
2x - 9200632



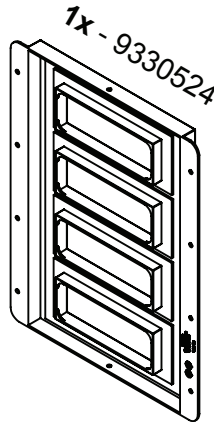
6x - 9200020



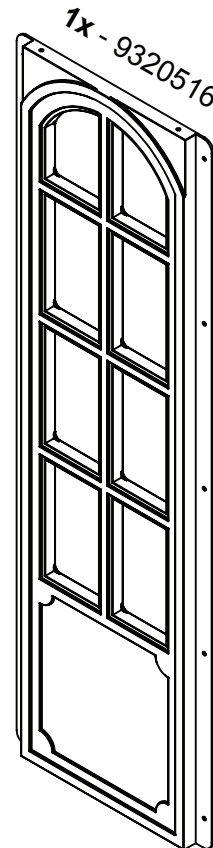
2x - 9320131



2x - 9200202YL



1x - 9330524

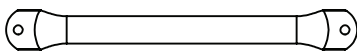


1x - 9320516

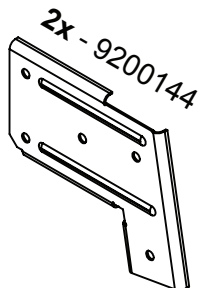
6x - 9201530



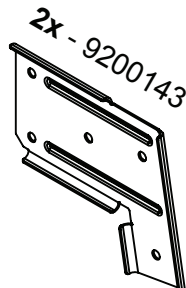
1x - 9200131



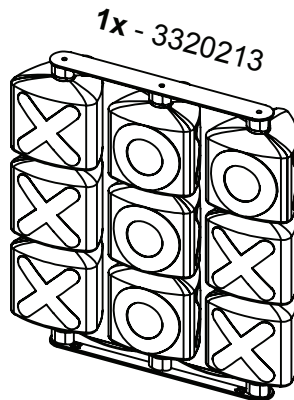
16x - 9200633



2x - 9200144



2x - 9200143



1x - 3320213

8x - 9200675

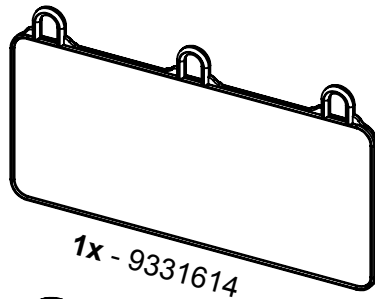
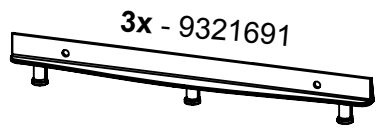


2x - 9206570

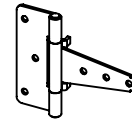




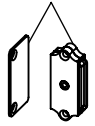
# Part Identification (Reduced Part Size)



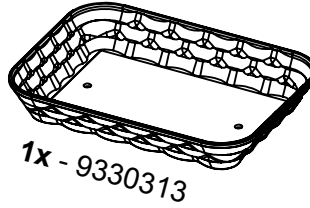
2x - 9207712



1x - 9207713



2x - 9331652



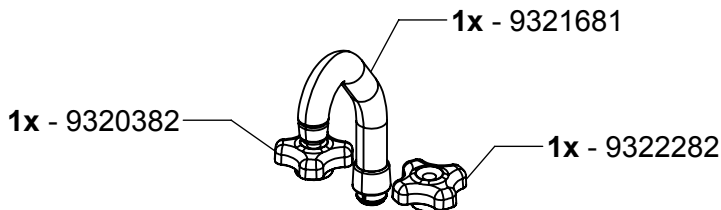
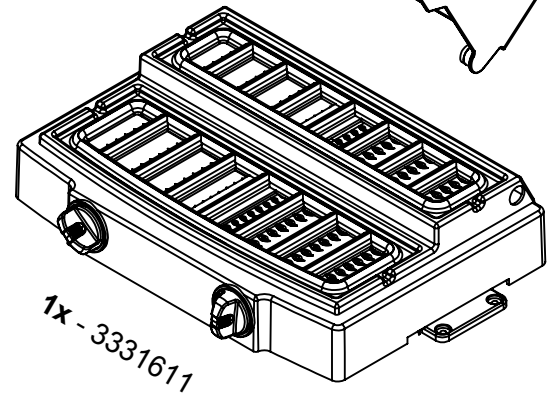
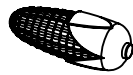
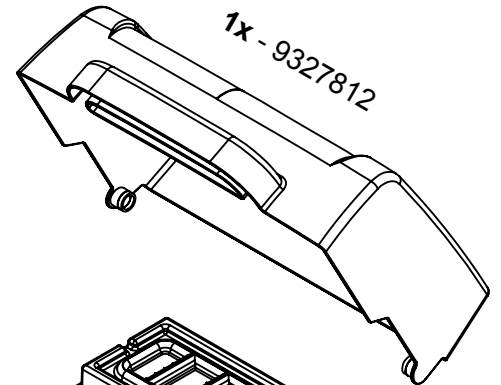
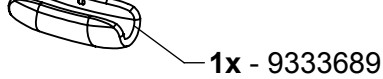
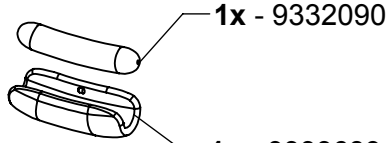
1x - 9333686



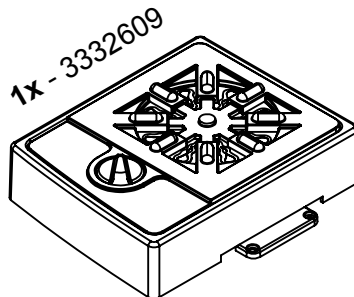
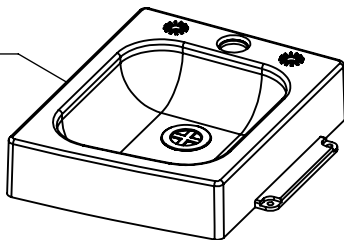
1x - 9330687



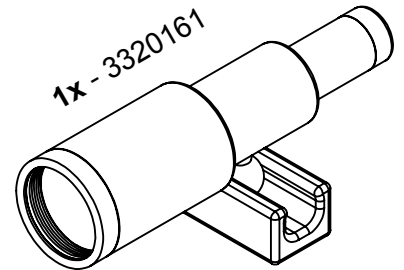
1x - 9333685



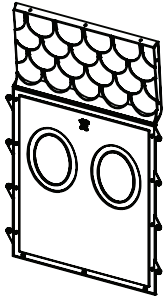
1x - 9332608



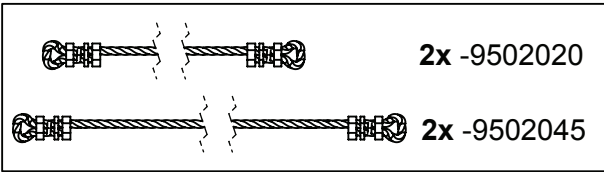
1x - 3320161



# Part Identification (Reduced Part Size)



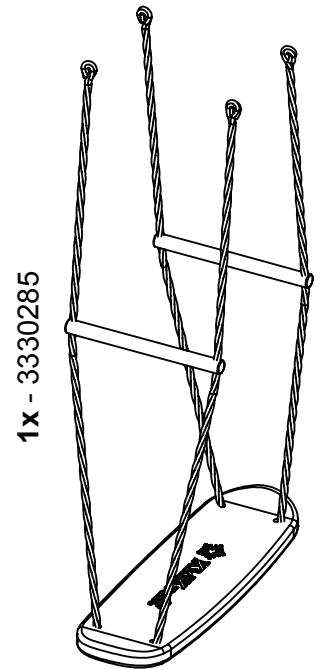
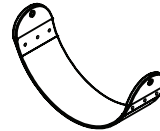
6x - 9330101



2x - 9502020

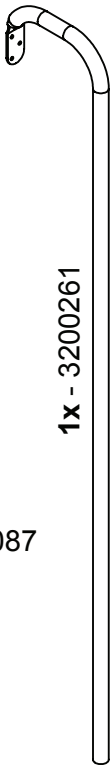
2x - 9502045

1x - 9320130



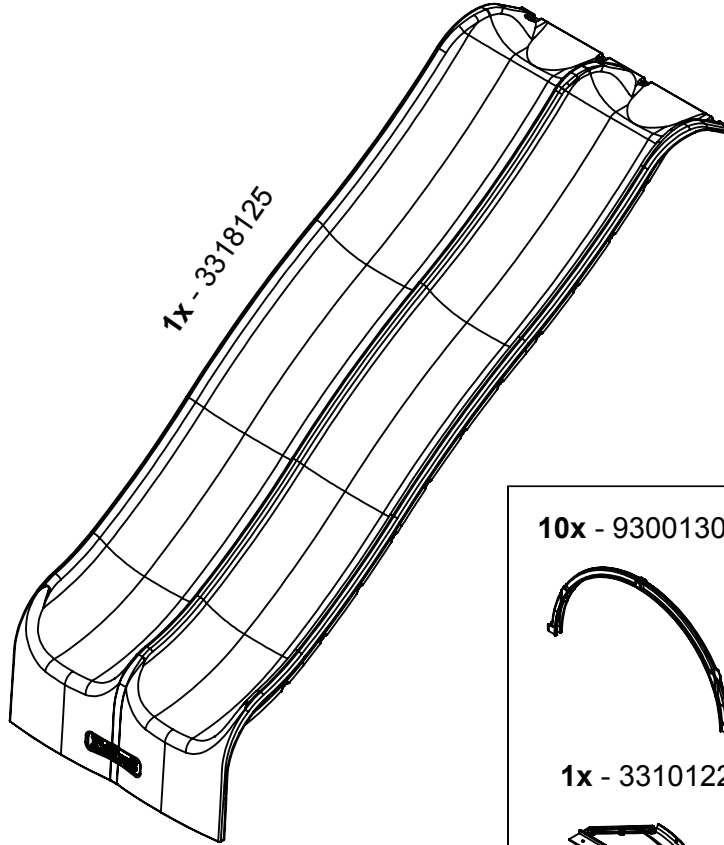
1x - 3330285

1x - 9200286

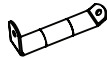


1x - 3200261

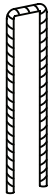
1x - 3318725



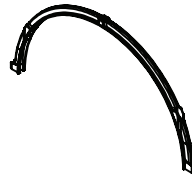
1x - 9200158



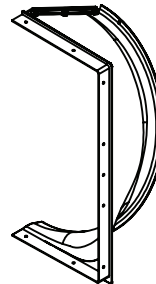
2x - 9200087



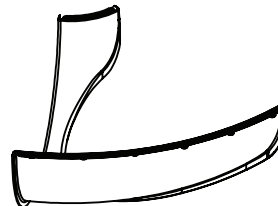
10x - 9300130



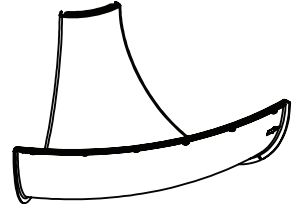
1x - 3310122



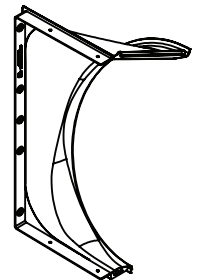
1x - 3310124



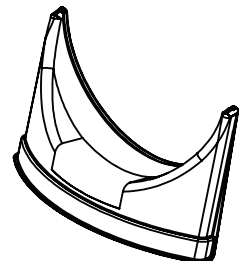
9x - 3310121



1x - 3310123



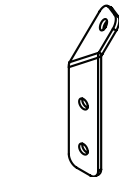
1x - 3310132



2x - (9200157)



31x - (54902200)



1x - (9200156)

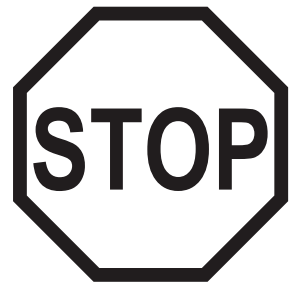
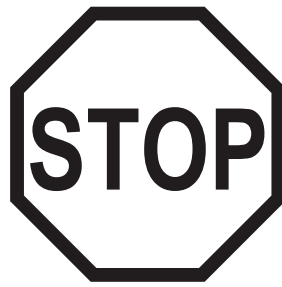
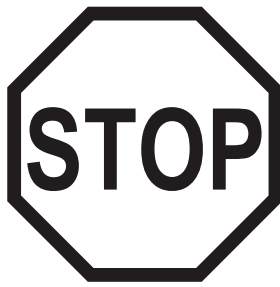
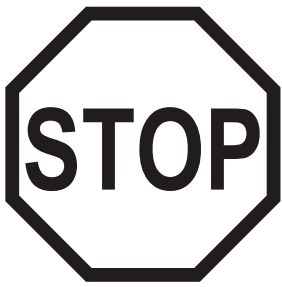
30x - (53453202)



1x - (53452209)

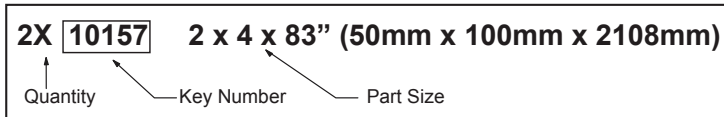


# 1 Inventory Parts - Read This Before Starting Assembly



Inventory should be completed before starting installation. KidKraft will not cover costs of any additional installation trip due to missing or damaged pieces.

- A. This is the time for you to inventory all your hardware, wood and accessories, referencing the parts identification sheets. This will assist you with your assembly.
- The wood pieces will have the key number stamped on the ends of the boards. Organize the wood pieces by step, as per the key numbering system below.



- B. Read the assembly manual completely, paying special attention to ANSI warnings; notes; and safety/maintenance information on pages 1 - 9.

**If there are missing or damaged pieces,  
please contact the KidKraft Consumer Engagement team  
before going back to the retailer.**

## Order Replacement Parts 24/7

You can order replacement parts for this product 24 hours a day / 7 days a week:

**Outdoor Swingsets and Playhouse Parts Ordering**

**<https://parts.kidkraft.com/>**

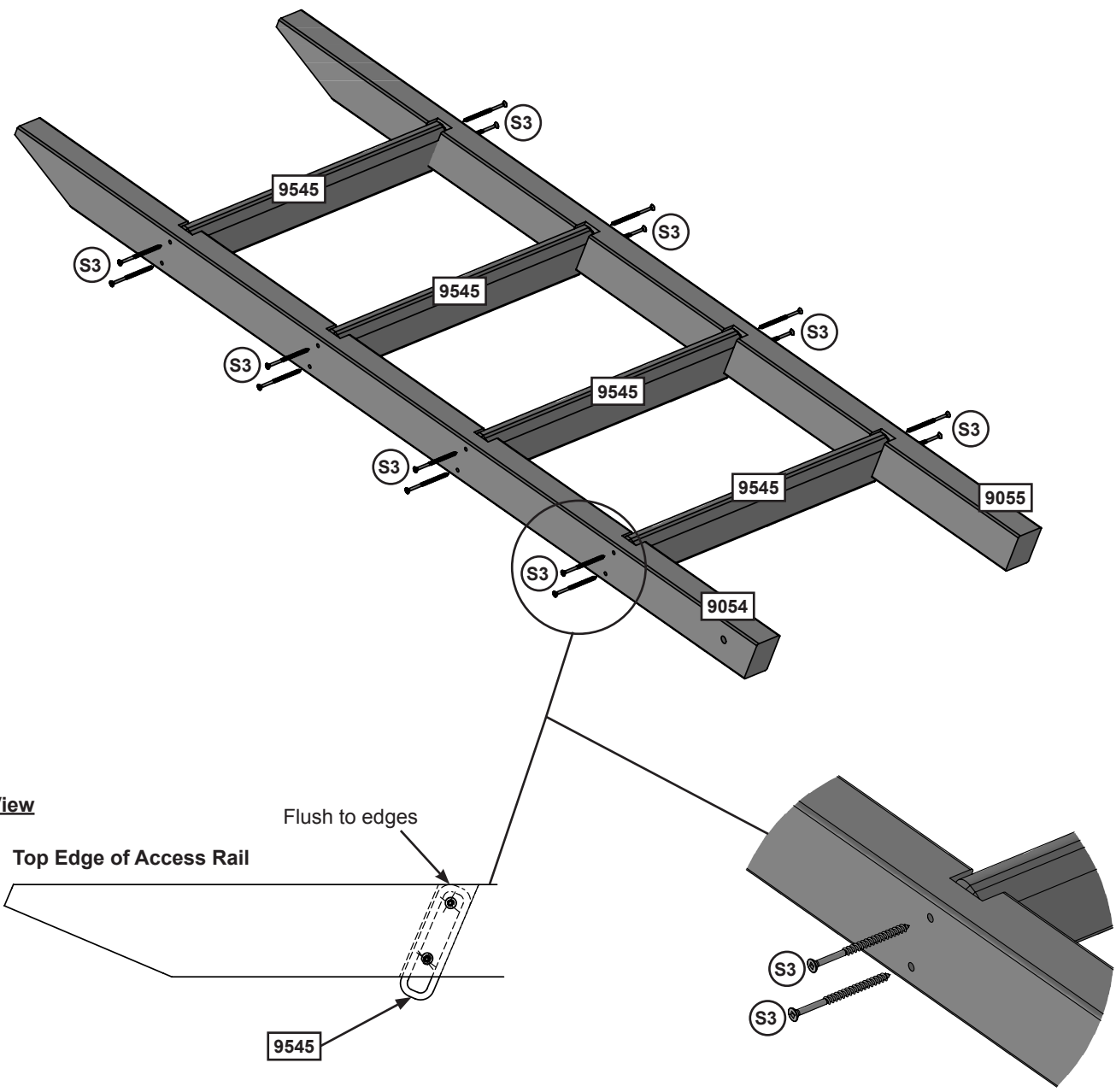
If you have assembly or product questions, please refer to the front cover for direct contact information for our Consumer Engagement team.



2



Pre-drill holes using a 1/8 in drill bit.



**Wood Parts**

- 1 x 9054 34.9 x 63.5 x 1468.8 mm (1 3/8 x 2 1/2 x 57 53/64 in)
- 1 x 9055 34.9 x 63.5 x 1468.8 mm (1 3/8 x 2 1/2 x 57 53/64 in)
- 4 x 9545 23.8 x 82.6 x 411.2 mm (15/16 x 3 1/4 x 16 3/16 in)

**Hardware**

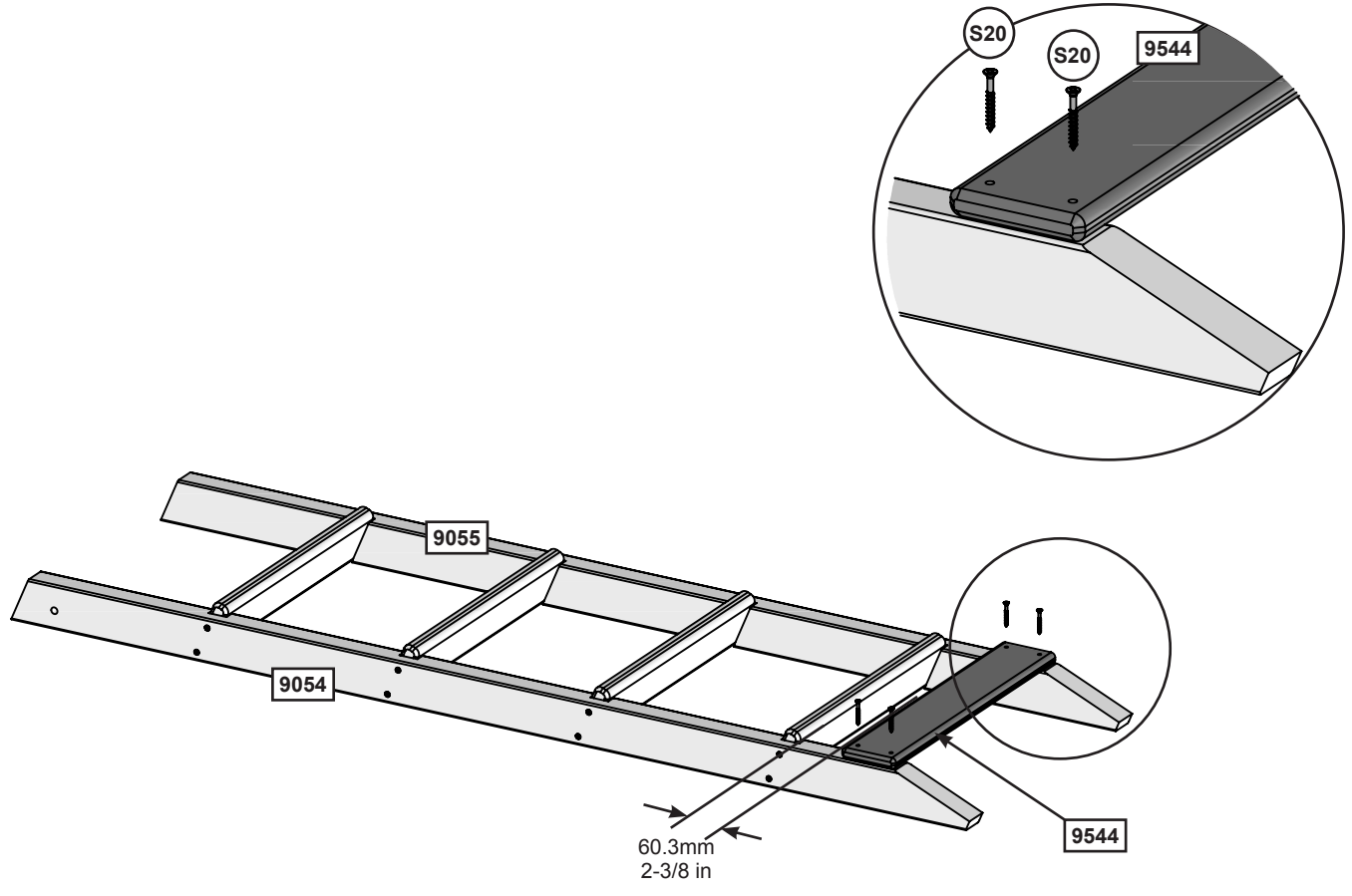
- 16 x S3 #8 x 63.5mm (#8 x 2-1/2 in)



parts.kidkraft.com

customerservice@kidkraft.com  
 1.800.933.0771  
 972.385.0100

3



**Wood Parts**

1 x **9544** 15.9 x 82.6 x 449.3 mm (5/8 x 3 1/4 x 17 11/16 in)

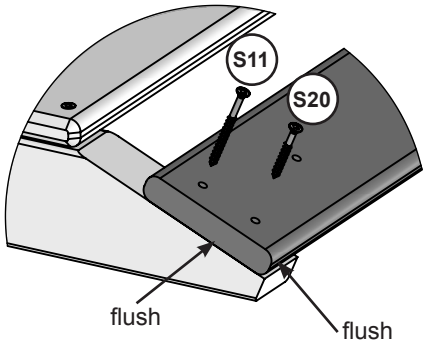
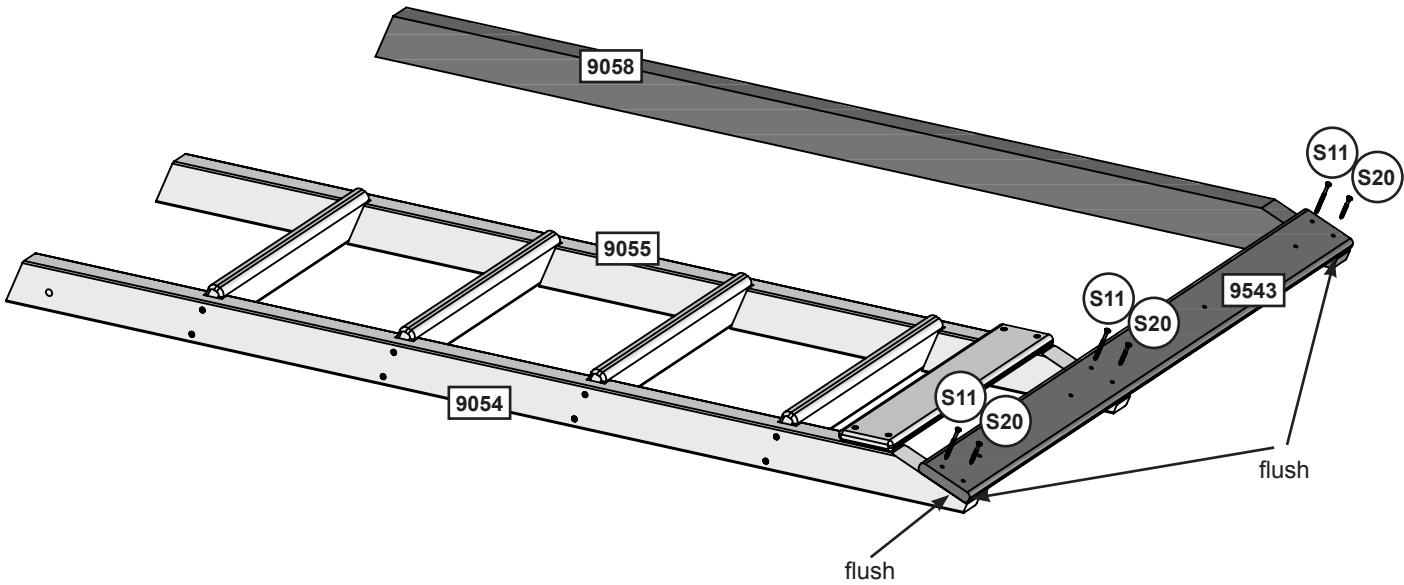
**Hardware**

4 x **S20** #8 x 34.9mm (#8 x 1-3/8 in)

europcustomerservice@kidkraft.com  
+31 20 305 8620  
M-F from 09:00 to 17:30 (GMT+1)

parts.kidkraft.eu





**Wood Parts**

- 1 x 9058 34.9 x 63.5 x 1468.8 mm (1 3/8 x 2 1/2 x 57 53/64 in)
- 1 x 9543 15.9 x 82.6 x 1033.5 mm (5/8 x 3 1/4 x 40 11/16 in)

**Hardware**

- 3 x S11 #8 x 50.8mm (#8 x 2 in)
- 3 x S20 #8 x 34.9mm (#8 x 1-3/8 in)

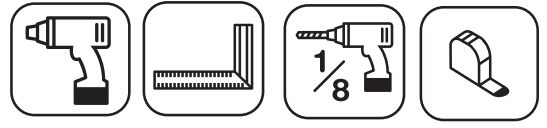


parts.kidkraft.com

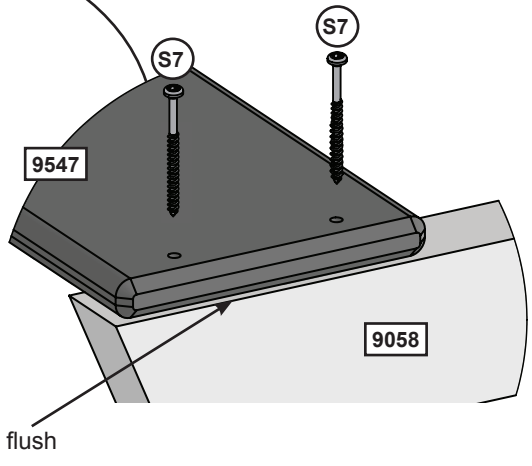
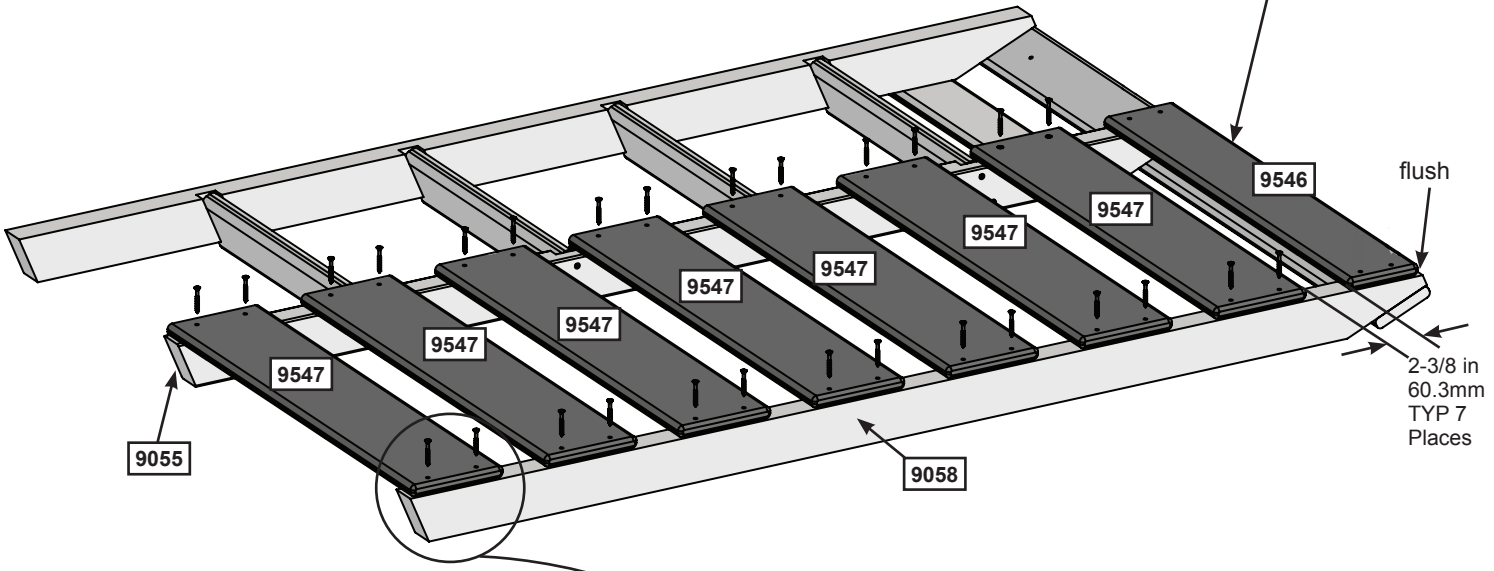
customerservice@kidkraft.com  
1.800.933.0771  
972.385.0100

5

Pre-drill holes using a 1/8 in drill bit.



Do not attach!  
Use for alignment  
only, then put aside  
until Step 18.



SET THE ROCK WALL LADDER ASSEMBLY ASIDE UNTIL STEP 16.

Wood Parts

- 7 x 9547 15.9 x 133.4 x 617 mm (5/8 x 5 1/4 x 24 5/16 in)
- 1 x 9546 15.9 x 101.6 x 617 mm (5/8 x 4 x 24 5/16 in)

Hardware

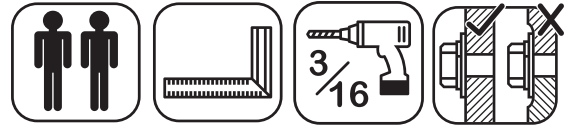
- 28 x S7 #12 x 50.8mm (#12 x 2 in)

europcustomerservice@kidkraft.com  
+31 20 305 8620  
M-F from 09:00 to 17:30 (GMT+1)

parts.kidkraft.eu

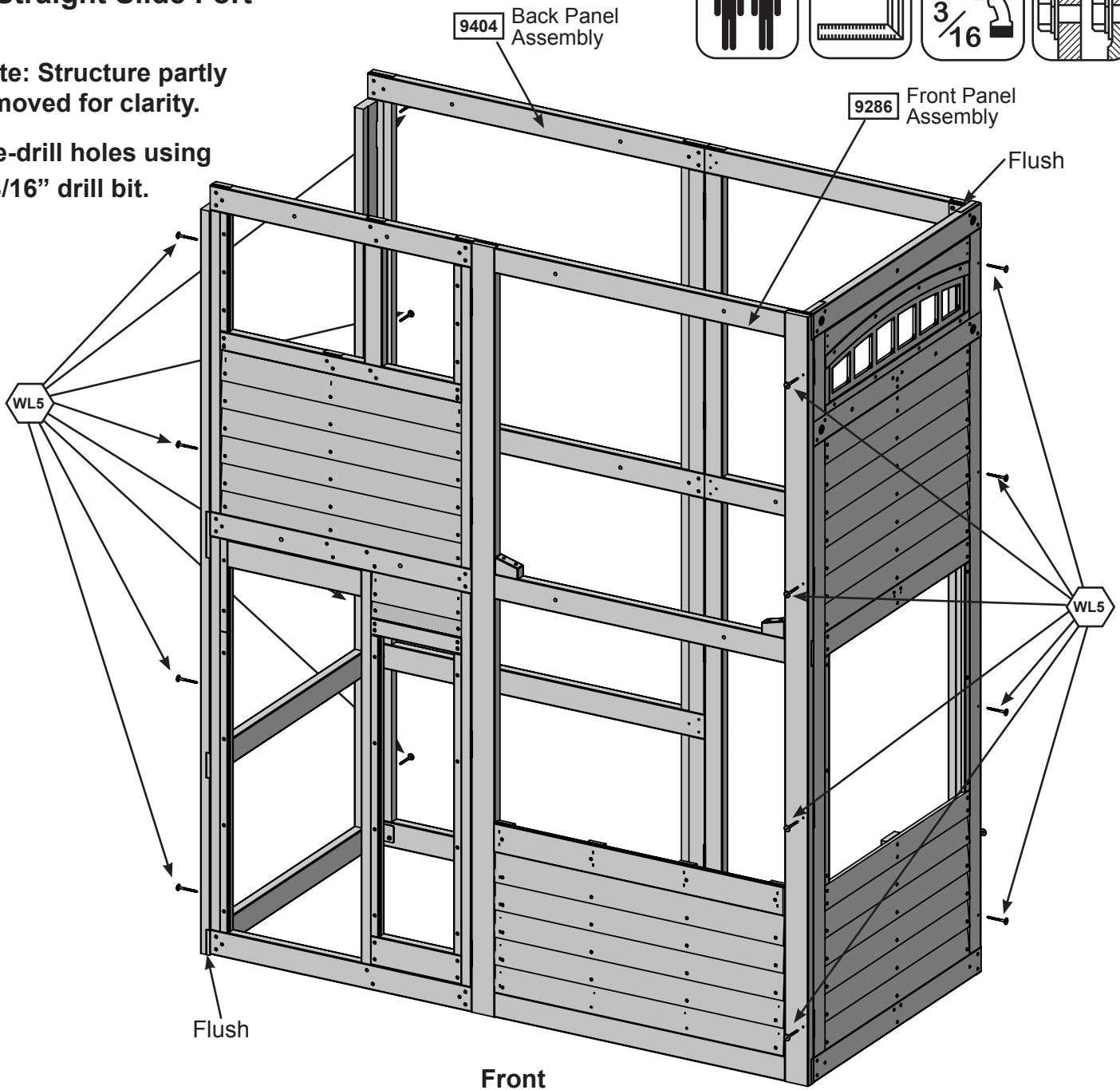


## 6 Straight Slide Fort



Note: Structure partly removed for clarity.

Pre-drill holes using a 3/16" drill bit.



### Wood Parts

- 1 x 9404 95.4 x 1092.2 x 2336.8 mm (3 3/4 x 43 x 92 in)
- 1 x 9286 95.4 x 1092.2 x 2336.8 mm (3 3/4 x 43 x 92 in)

### Hardware

- 16 x WL5 6.4mm x 63.5 mm (1/4 x 2-1/2 in)

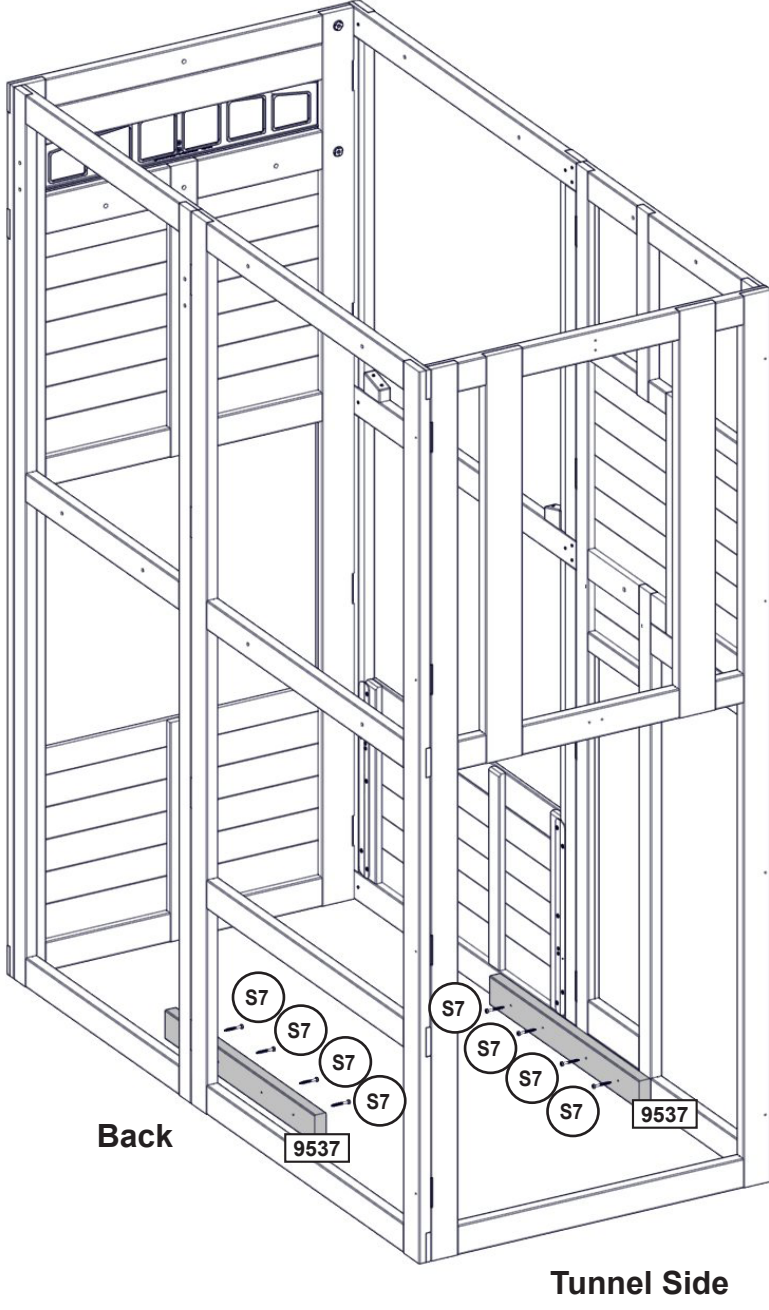
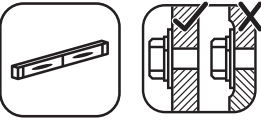


parts.kidkraft.com

customerservice@kidkraft.com  
1.800.933.0771  
972.385.0100



7



**Wood Parts**

2 x 9537 31.8 x 76.2 x 714.8 mm (1 1/4 x 3 x 28 1/8 in)

**Hardware**

8 x S7 #12 x 50.8mm (#12 x 2 in)

europecustomerservice@kidkraft.com  
+31 20 305 8620  
M-F from 09:00 to 17:30 (GMT+1)

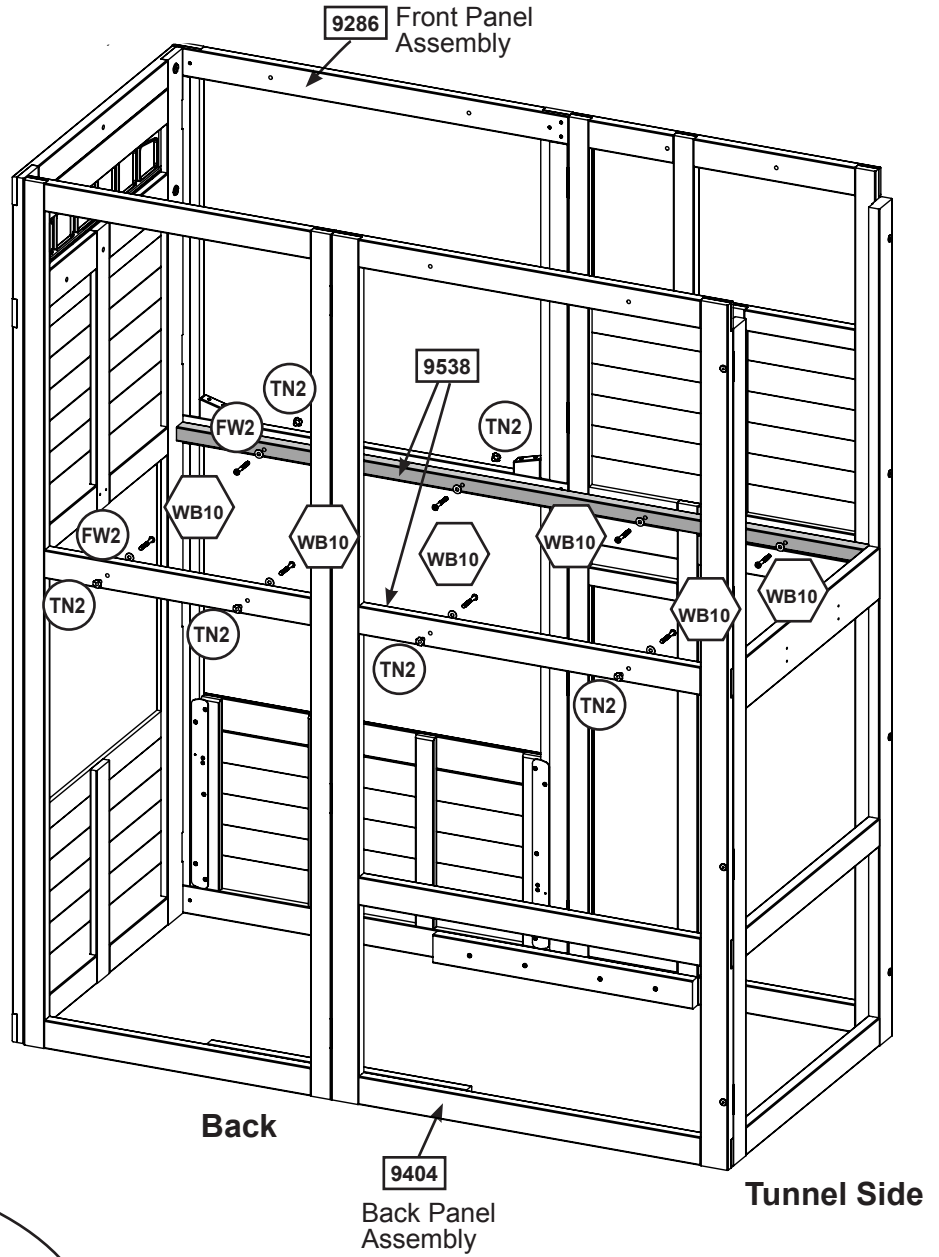
parts.kidkraft.eu



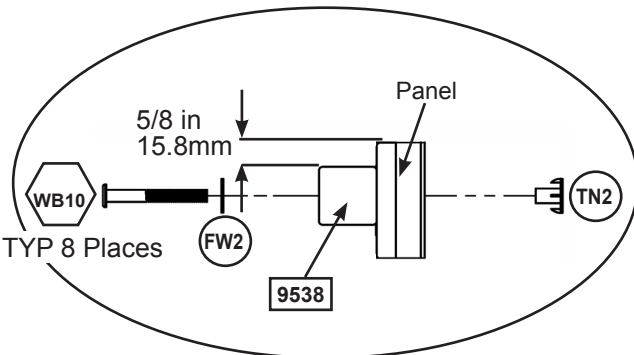
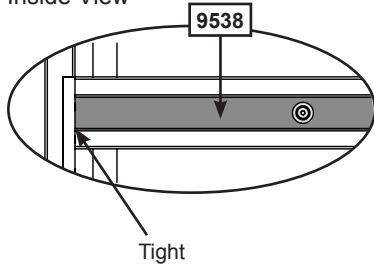
8

### Assemble T-Nuts first with hammer!

**Note: Structure partly removed for clarity.**



Inside View



#### Wood Parts

2 x 9538 38.1 x 38.1 x 1902 mm (1 1/2 x 1 1/2 x 74 7/8 in)

#### Hardware

8 x WB10 7.9mm x 66.6 mm (5/16 x 2-5/8 in)(FW2, TN2)

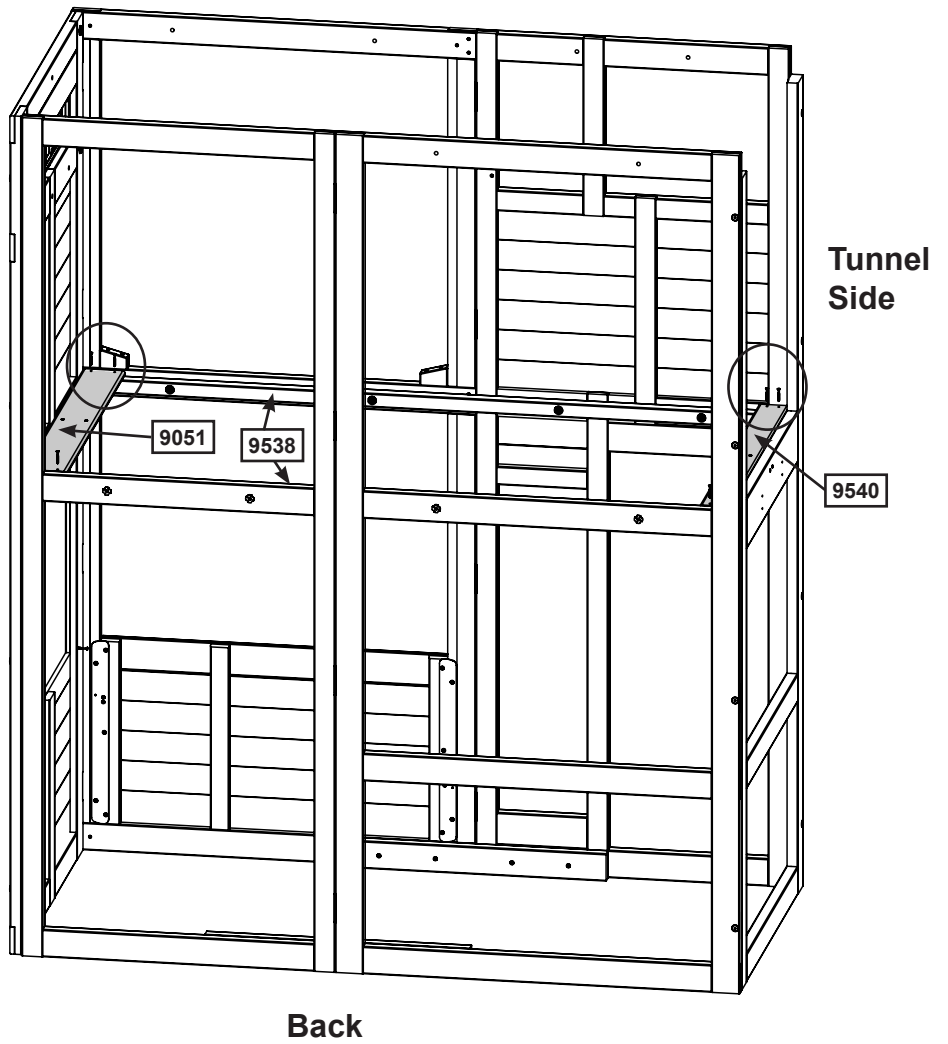
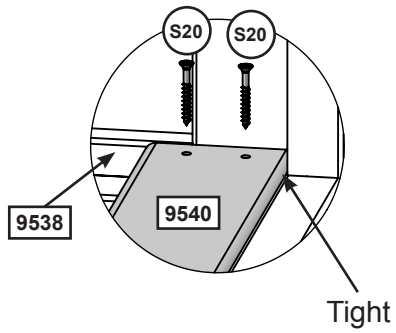
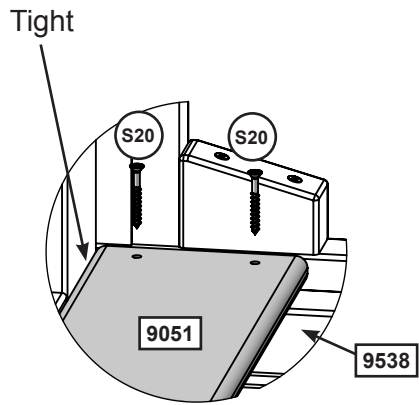


parts.kidkraft.com

customerservice@kidkraft.com  
1.800.933.0771  
972.385.0100



Note: Structure partly removed for clarity.



**Wood Parts**

- 1 x 9540 15.9 x 82.6 x 904.9 mm (5/8 x 3 1/4 x 35 5/8 in)
- 1 x 9051 15.9 x 114.3 x 904.9 mm (5/8 x 4 1/2 x 35 5/8 in)

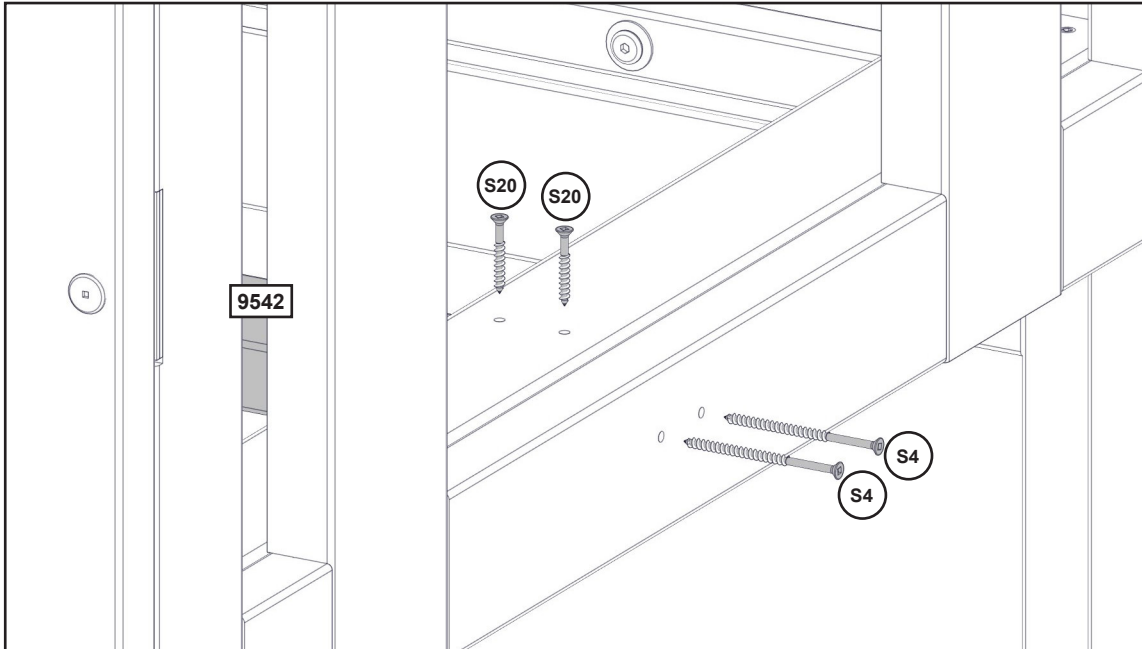
**Hardware**

- 8 x S20 #8 x 34.9mm (#8 x 1-3/8 in)



10

Note: (9542) tight to the bottom of floor board (9051) and (9540).



**Wood Parts**

1 x 9542 31.8 x 76.2 x 1906 mm (1 1/4 x 3 x 75 1/16 in)

**Hardware**

4 x S4 #8 x 76.2mm (#8 x 3 in)

4 x S20 #8 x 34.9mm (#8 x 1-3/8 in)

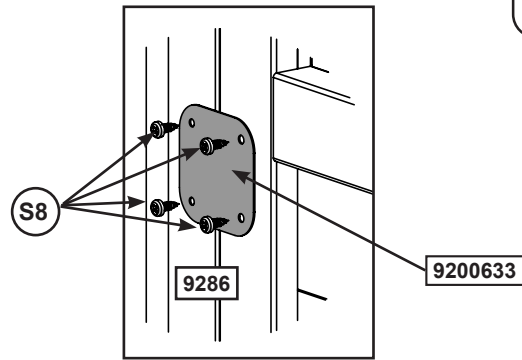


parts.kidkraft.com

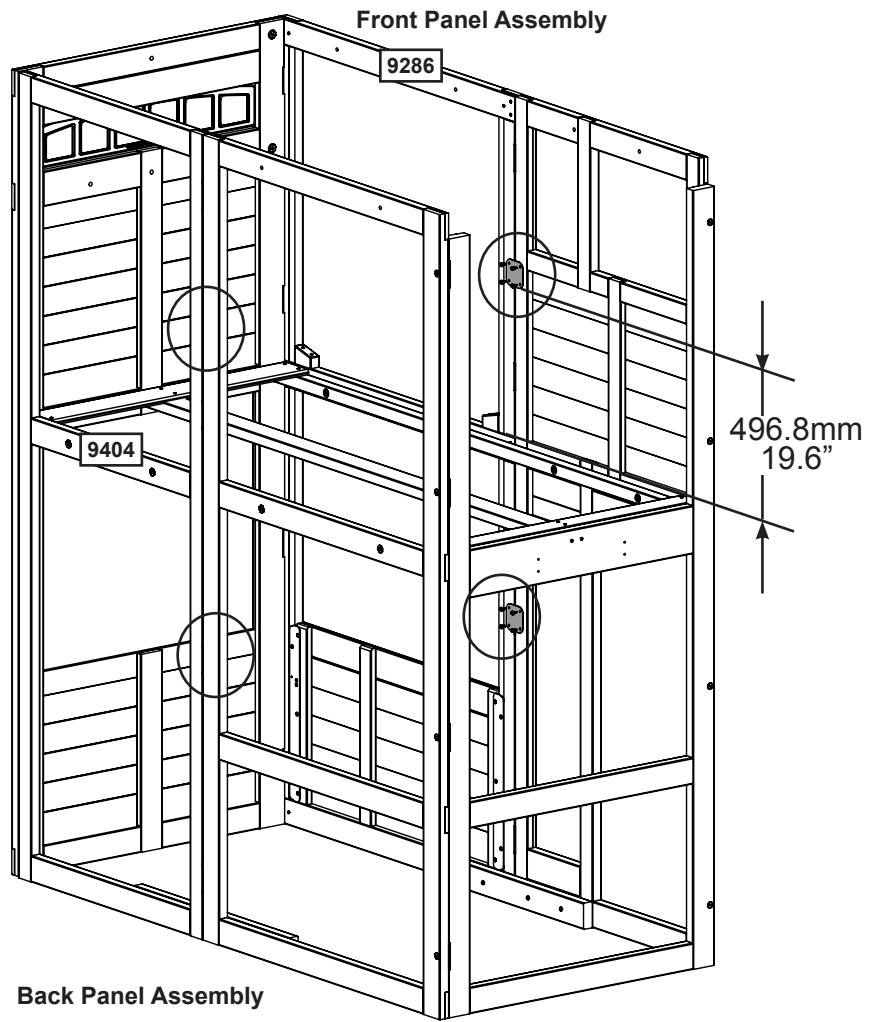
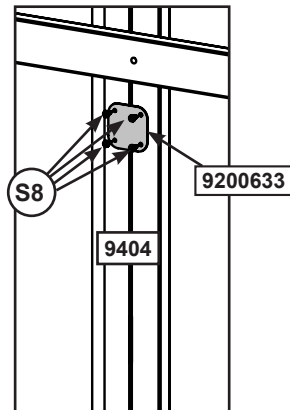
customerservice@kidkraft.com  
1.800.933.0771  
972.385.0100



**Note: Structure partly removed for clarity.**



Inside View



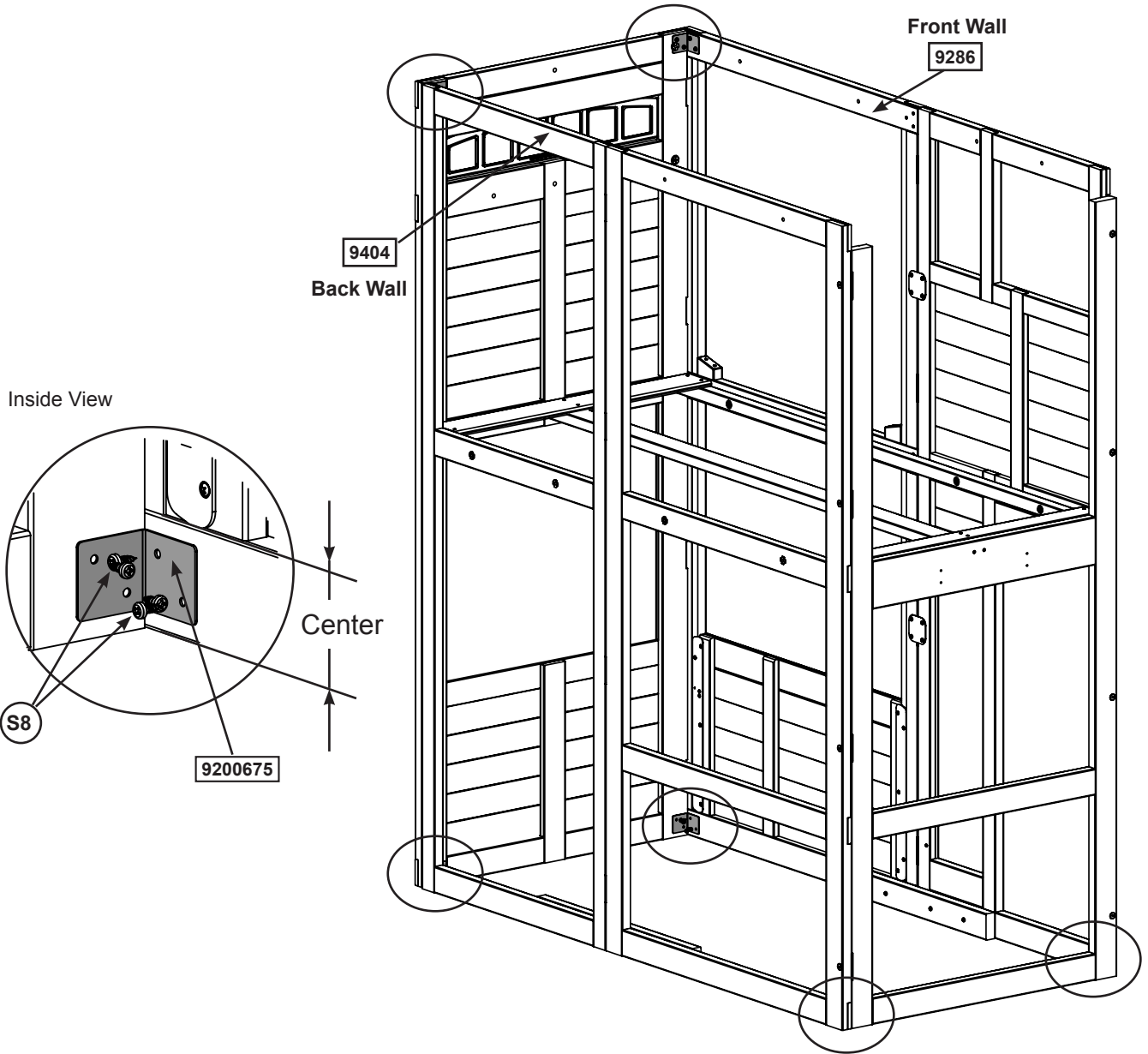
**Hardware**  
 16 x **S8** #12 x 19mm (#12 x 3/4 in)

**Other Parts**  
 4 x **9200633**





Note: Structure partly removed for clarity.



**Hardware**

24 x (S8) #12 x 19mm (#12 x 3/4 in)

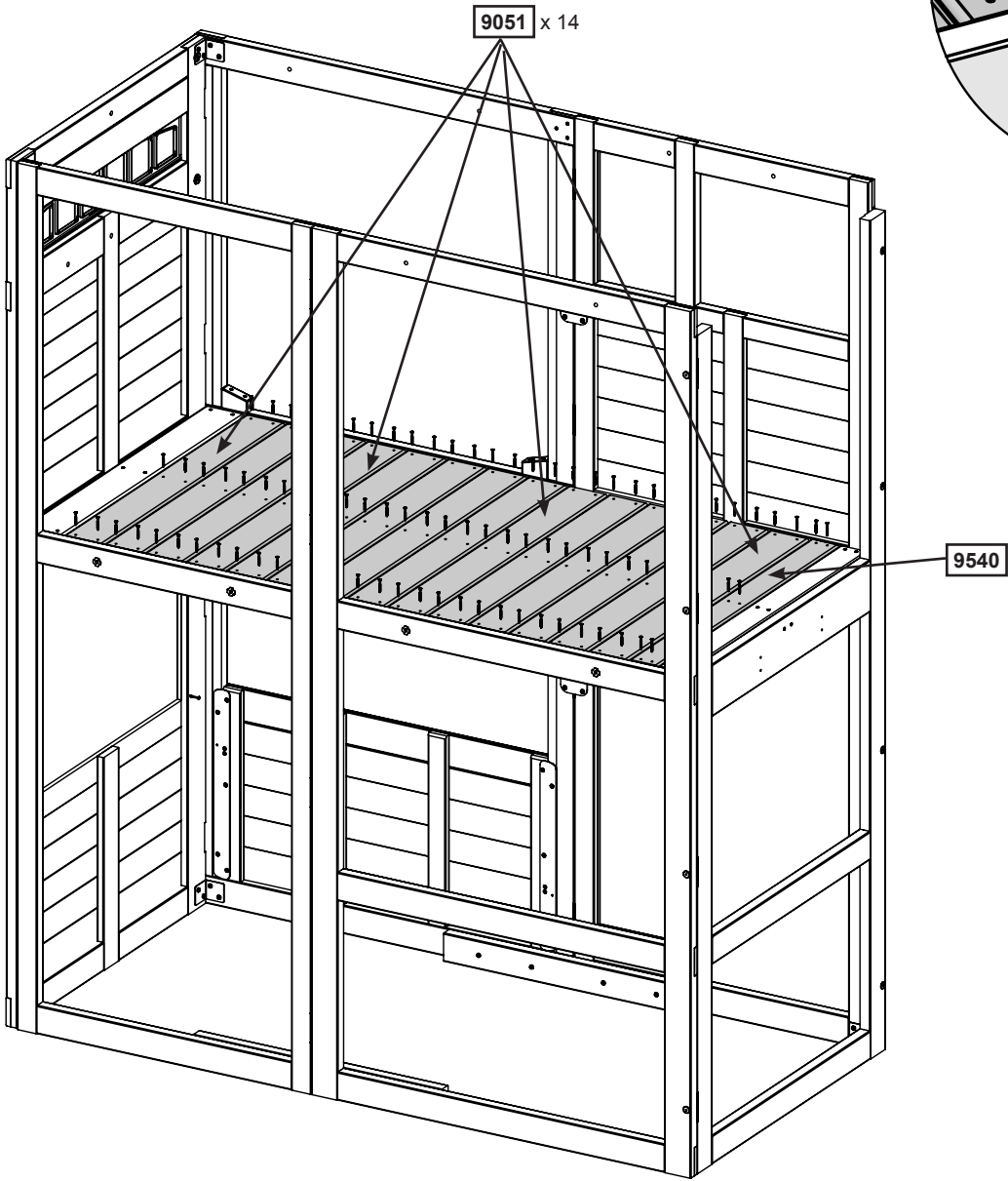
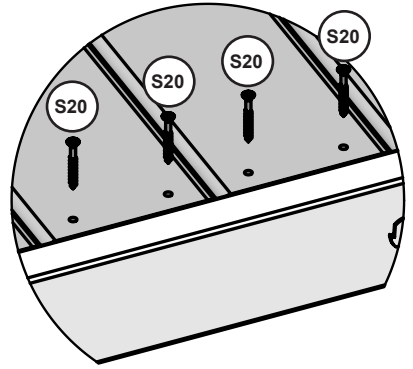
**Other Parts**

6 x 9200675

Note: Structure partly removed for clarity.



Evenly space the boards



**Wood Parts**

- 14 x 9051 15.9 x 114.3 x 904.9 mm (1 x 4 1/2 x 35 5/8 in)
- 1 x 9540 15.9 x 82.6 x 904.9 mm (1 x 3 1/4 x 35 5/8 in)

**Hardware**

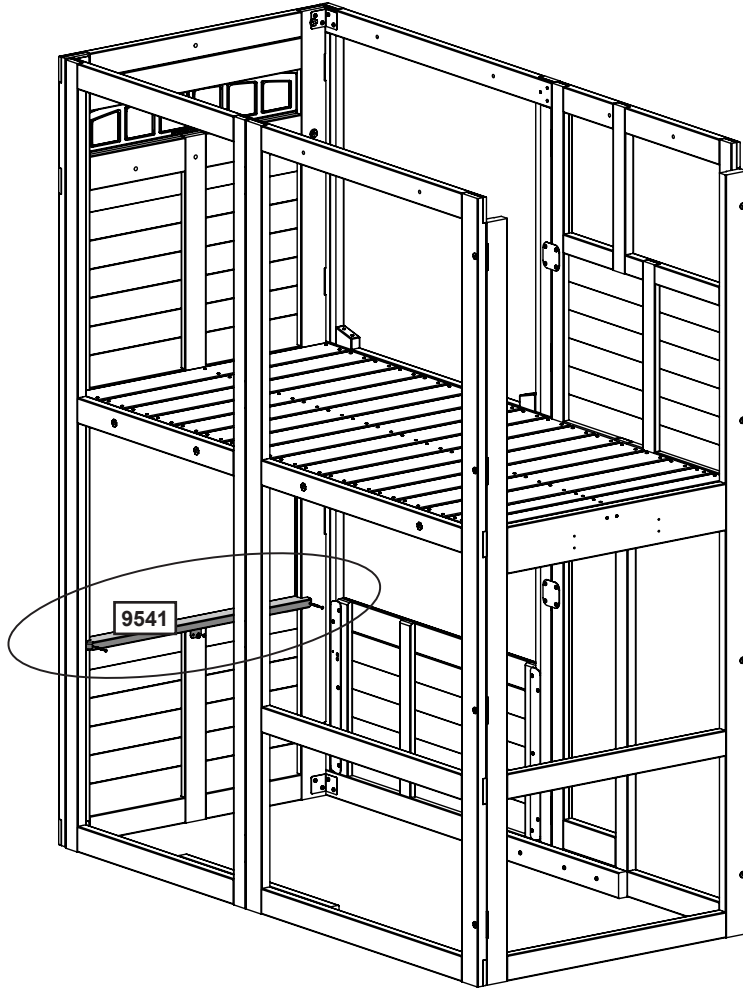
- 90 x S20 #8 x 34.9mm (#8 x 1-3/8 in)

europecustomerservice@kidkraft.com  
 +31 20 305 8620  
 M-F from 09:00 to 17:30 (GMT+1)

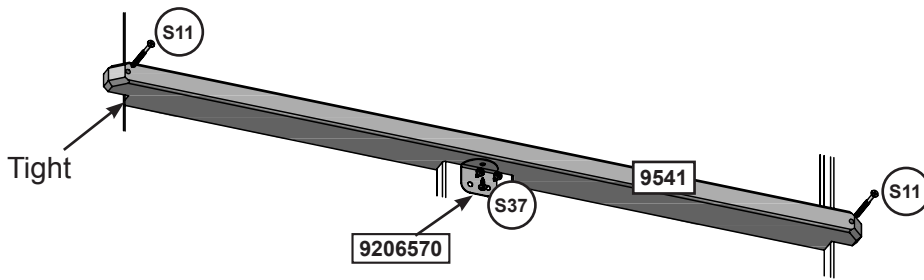
parts.kidkraft.eu



Note: Structure partly removed for clarity.



Inside View



**Wood Parts**

1 x 9541 23.8 x 57.2 x 813 mm (15/16 x 2 1/4 x 32 in)

**Hardware**

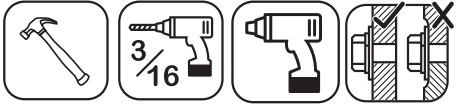
2 x S11 #8 x 50.8mm (#8 x 2 in)

3 x S37 #7 x 15.9mm (#7 x 5/8 in)

**Other Parts**

1 x 9206570

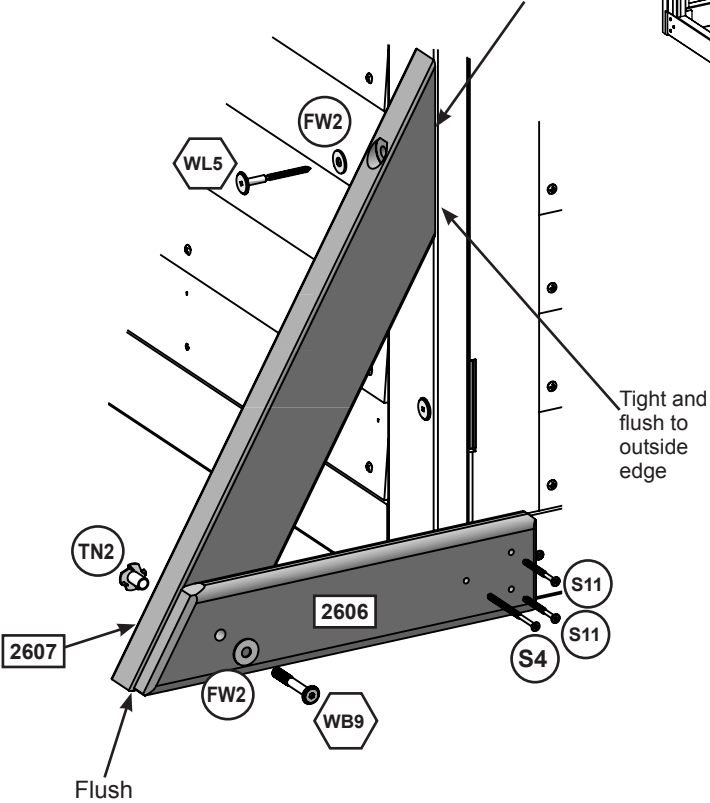
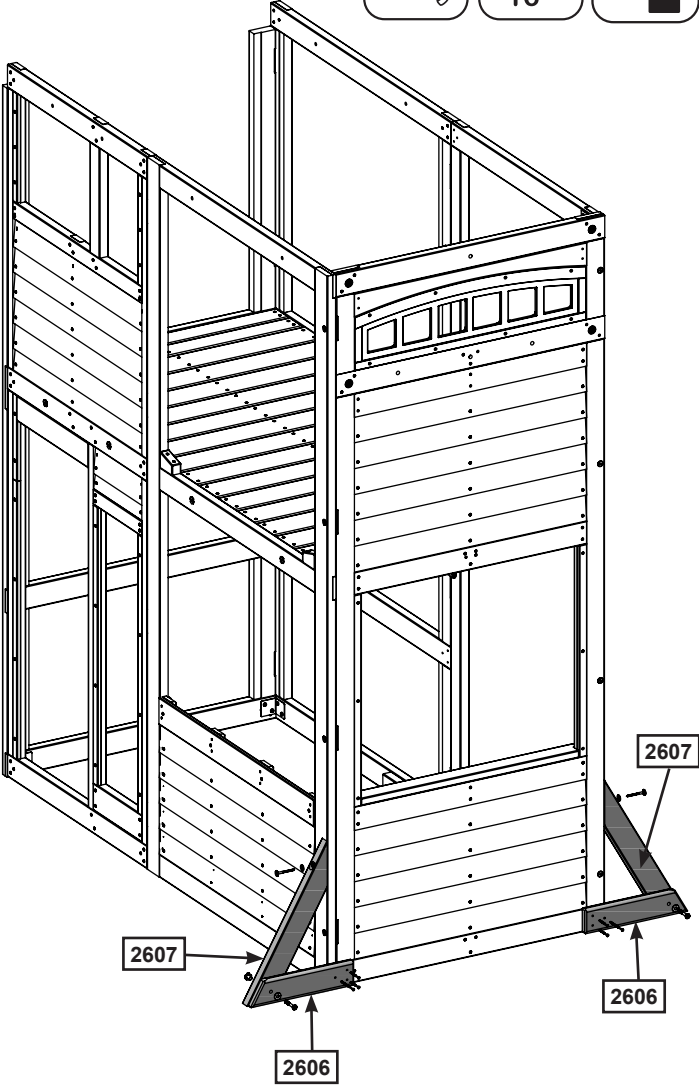




**Assemble T-Nuts first with hammer!**

**Note: Structure partly removed for clarity.**

**Pre-drill holes using a 3/16" drill bit.**



**Wood Parts**

- 2 x **2606** 23.8 x 82.6 x 362 mm (15/16 x 3 1/4 x 14 1/4 in)
- 2 x **2607** 31.8 x 76.2 x 558.8 mm (1 1/4 x 3 x 22 in)

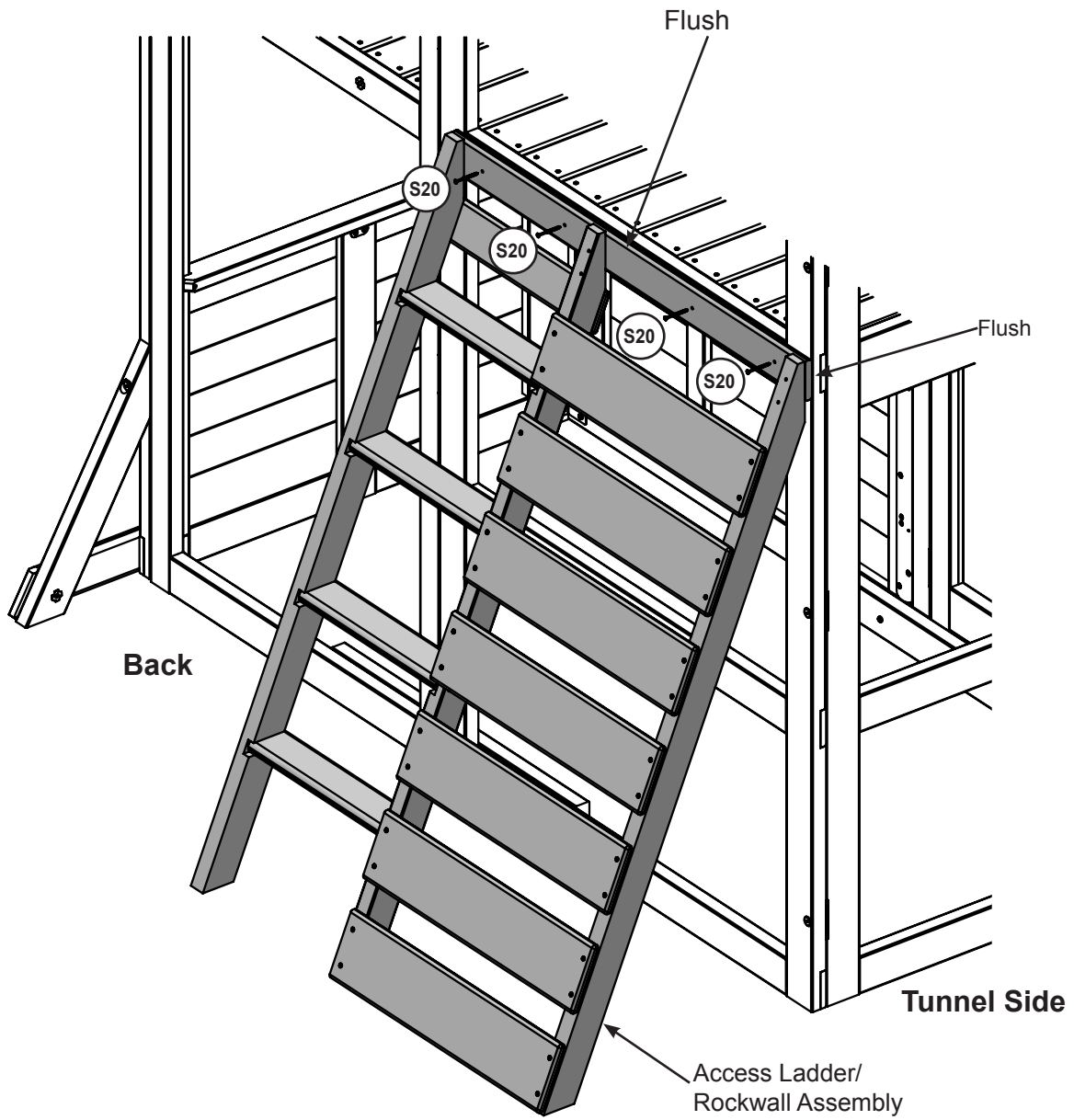
**Hardware**

- 2 x **WB9** 7.9mm x 54 mm (5/16 x 2-1/8 in)(FW2, TN2)
- 2 x **WL5** 6.4mm x 63.5 mm (1/4 x 2-1/2 in)(FW2)
- 2 x **S4** #8 x 76.2mm (#8 x 3 in)
- 4 x **S11** #8 x 50.8mm (#8 x 2 in)

europecustomerservice@kidkraft.com  
 +31 20 305 8620  
 M-F from 09:00 to 17:30 (GMT+1)

parts.kidkraft.eu



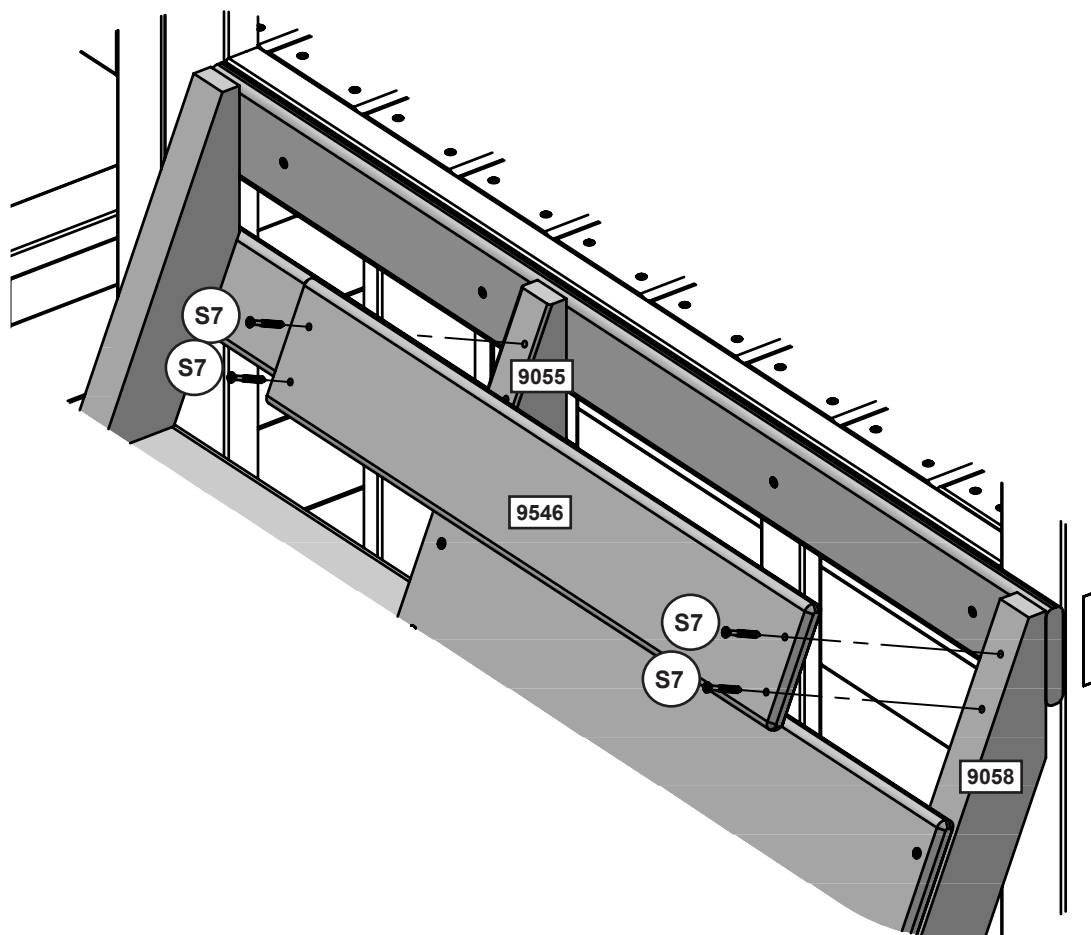


**Hardware**

4 x  #8 x 34.9mm (#8 x 1-3/8 in)

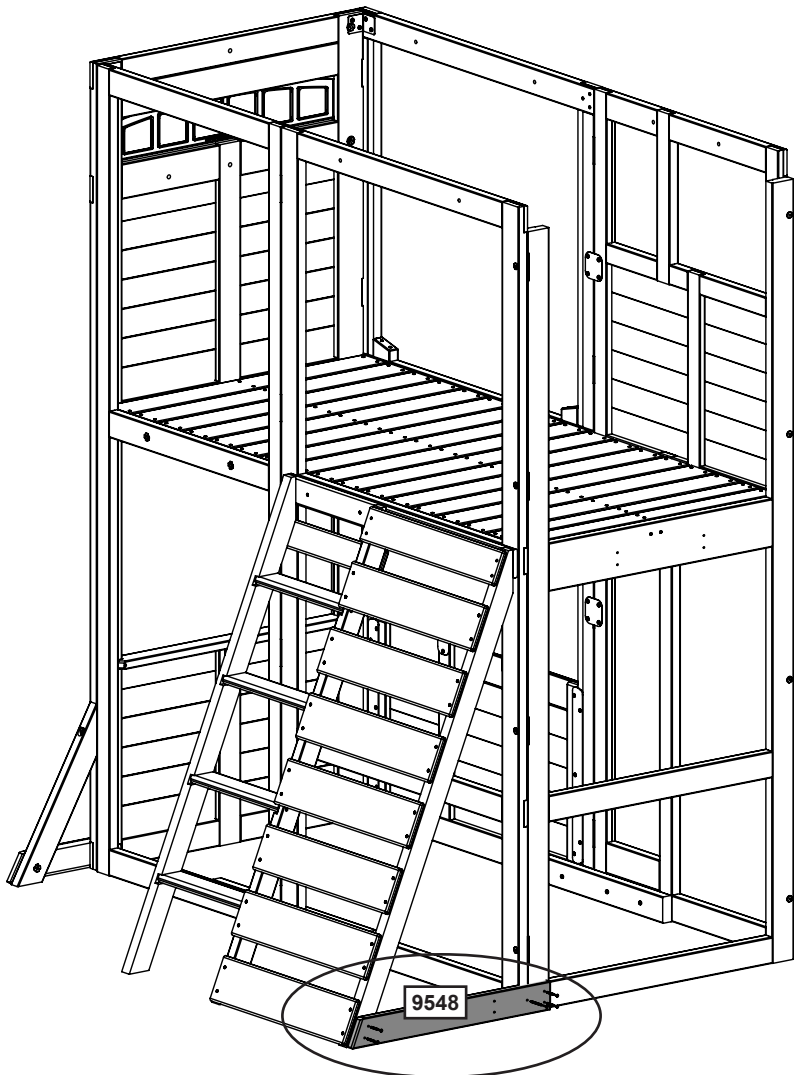


Align 9546 FLUSH to top of 9055 and 9058  
then, Pre-drill holes using a 1/8" drill bit.

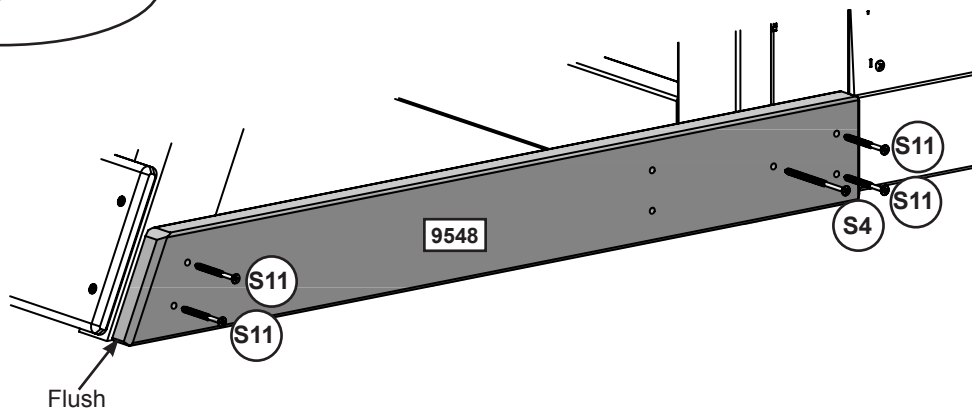


**Hardware**

4 x  #12 x 50.8mm (#12 x 2 in)



**Note: Structure partly removed for clarity.**



**Wood Parts**

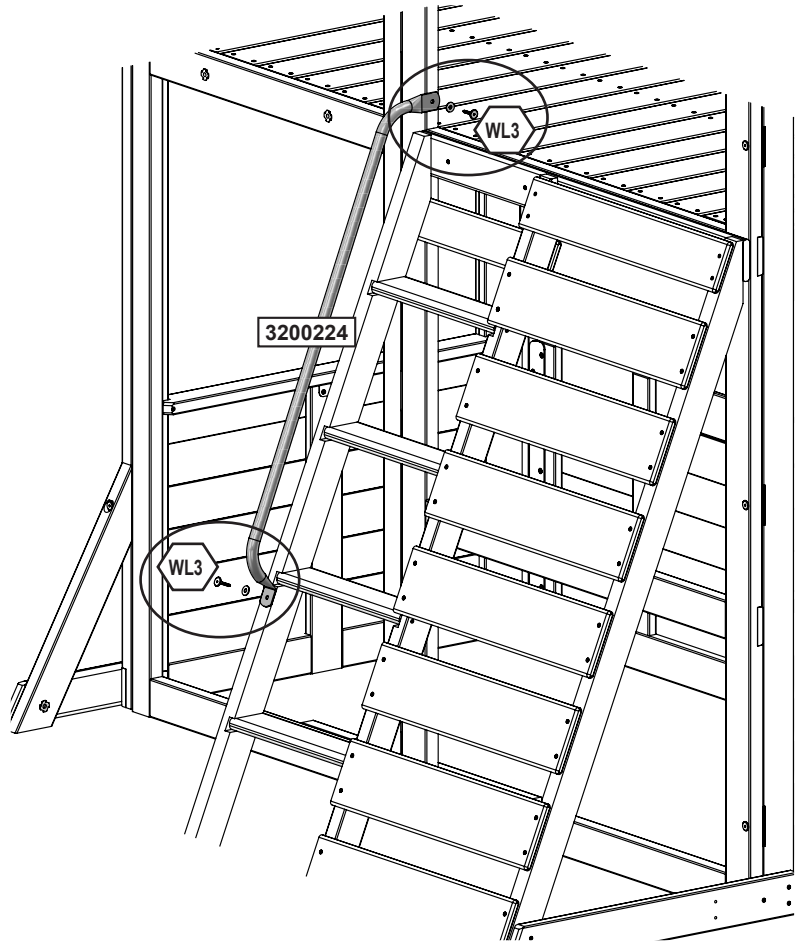
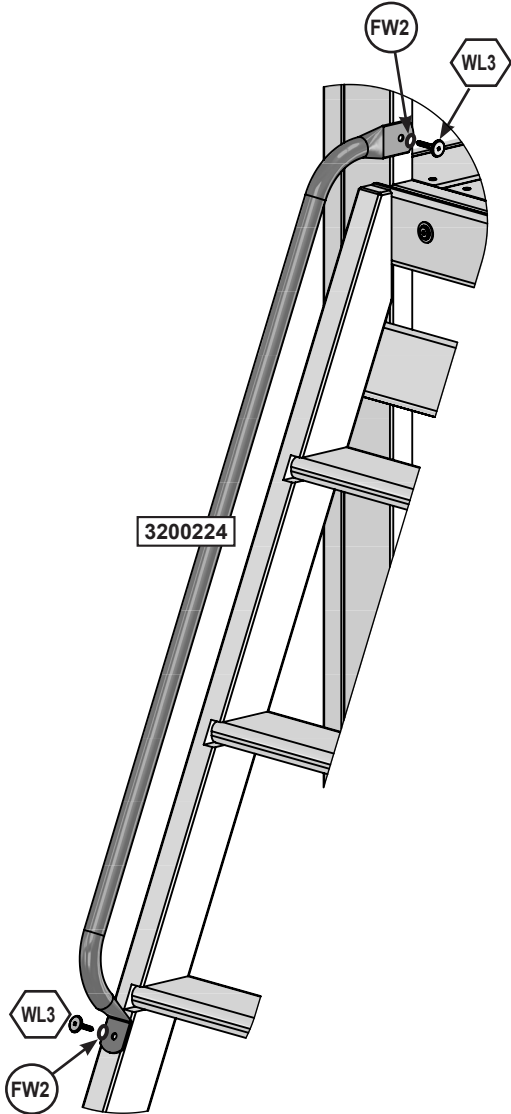
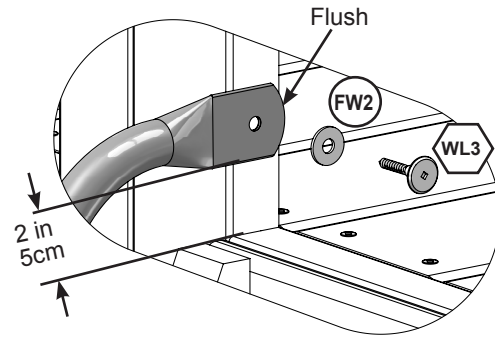
1 x 9548 23.8 x 82.6 x 704.9 mm (15/16 x 3 1/4 x 27 3/4 in)

**Hardware**

4 x S11 #8 x 50.8mm (#8 x 2 in)

1 x S4 #8 x 76.2mm (#8 x 3 in)

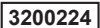
Pre-drill holes using a 3/16 in drill bit.



**Hardware**

2 x  6.4mm x 34.9mm (1/4 x 1-3/8 in)(FW2)

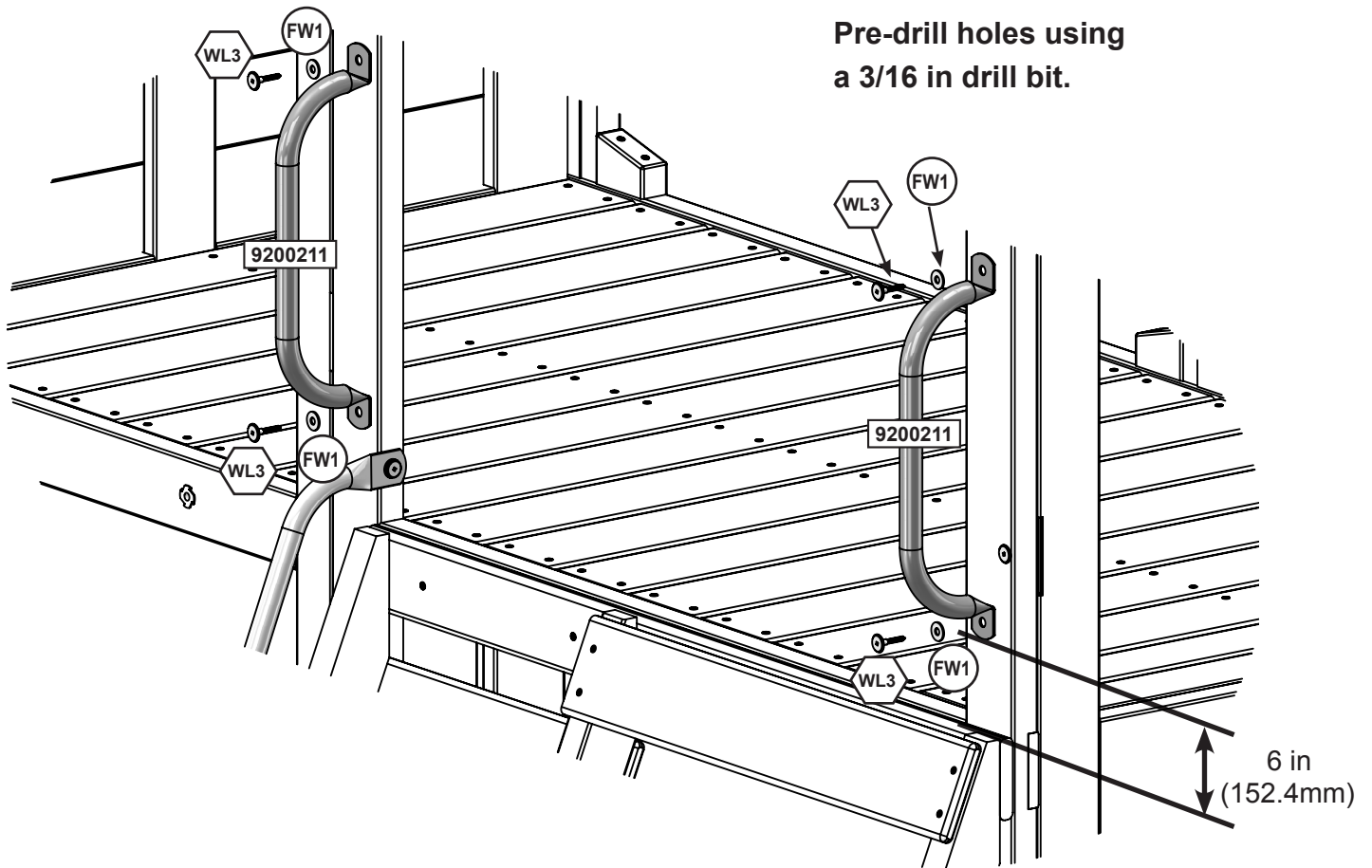
**Other Parts**

1 x  3200224





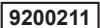
Pre-drill holes using a 3/16 in drill bit.



**Hardware**

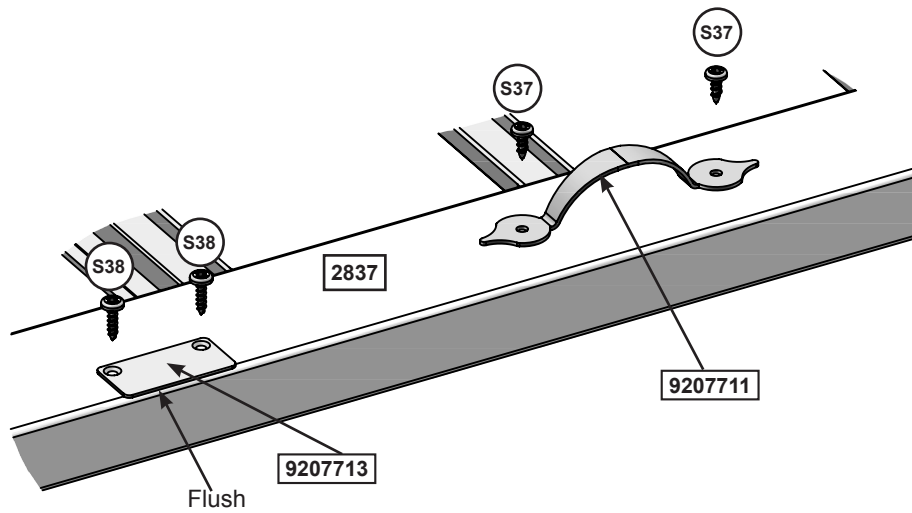
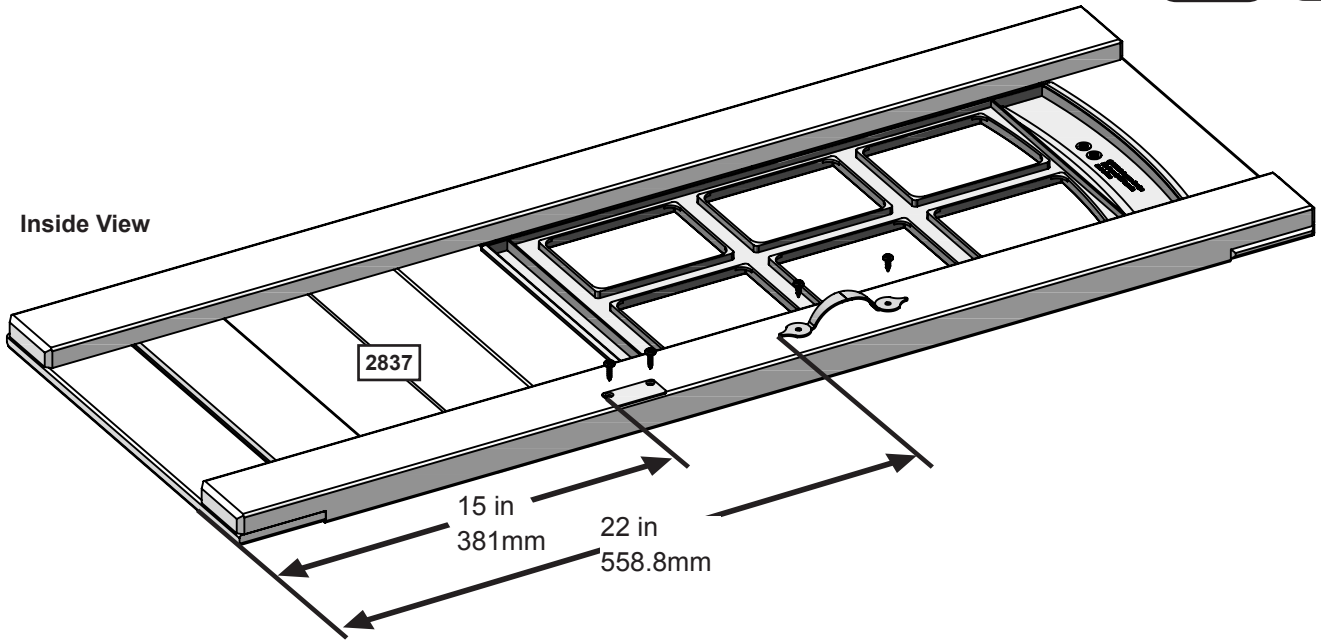
4 x  6.4mm x 34.9mm (1/4 x 1-3/8 in)(FW1)

**Other Parts**

2 x 



Inside View



**Wood Parts**

1 x 2837 31.8 x 400 x 1070 mm (1 1/4 x 15 3/4 x 42 1/8 in)

**Hardware**

2 x S37 #7 x 15.9mm (#7 x 5/8 in)

2 x S38 #7 x 28.6mm (#7 x 1-1/8 in)

**Other Parts**

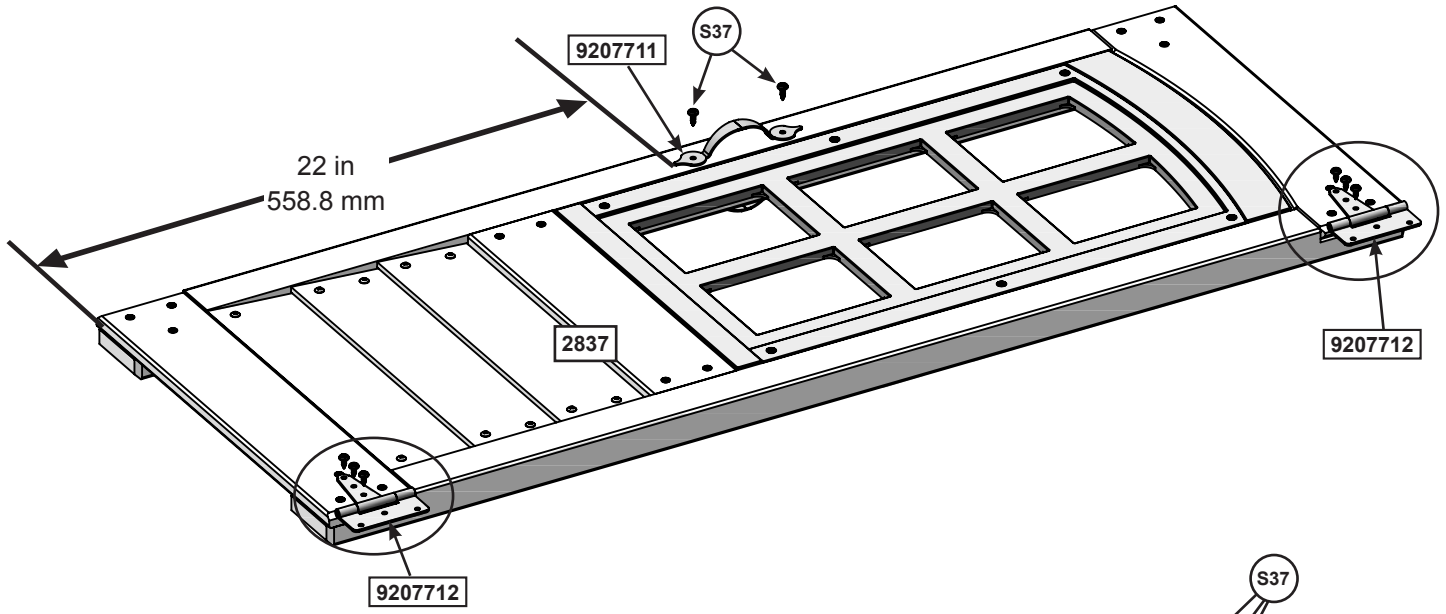
1 x 9207711

1 x 9207713

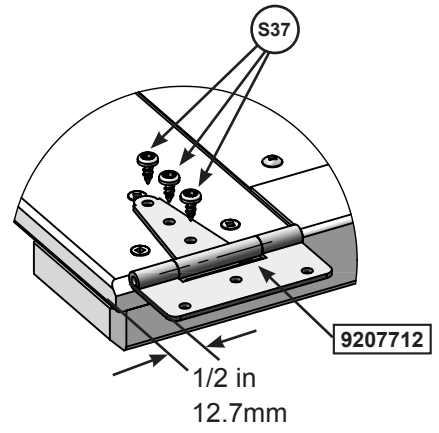
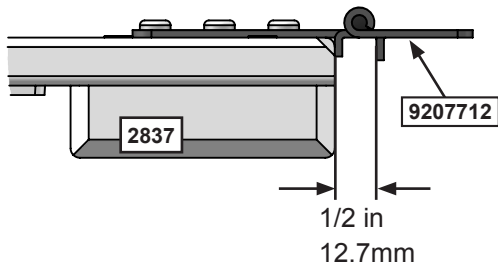




Outside View



Bottom View



**Hardware**

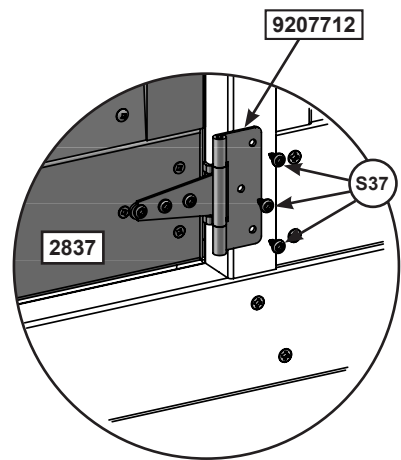
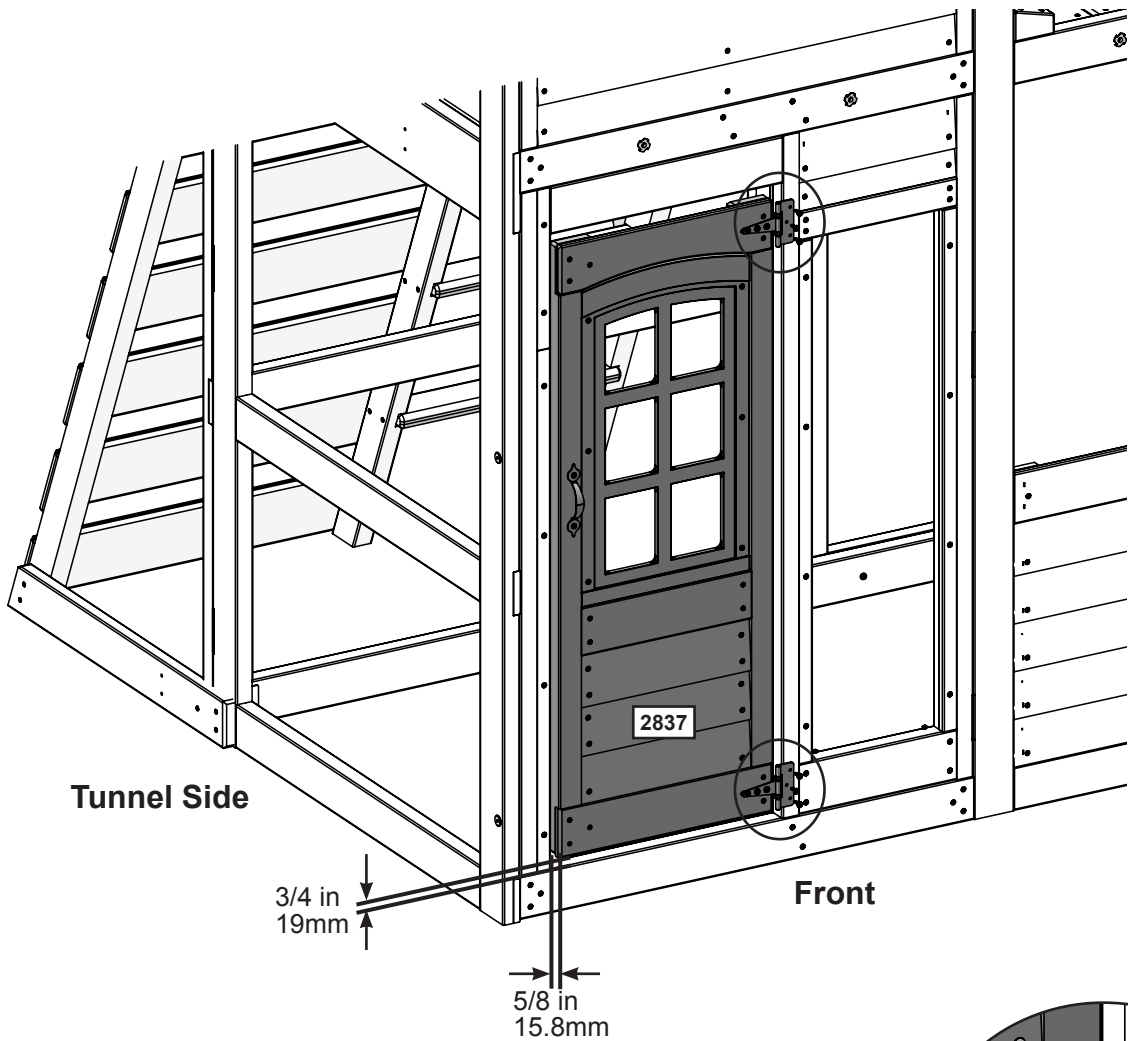
8 x #7 x 15.9mm (#7 x 5/8 in)

**Other Parts**

2 x

1 x





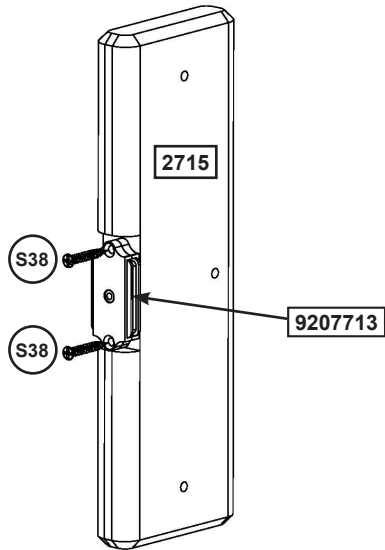
**Hardware**

6 x **S37** #7 x 15.9mm (#7 x 5/8 in)





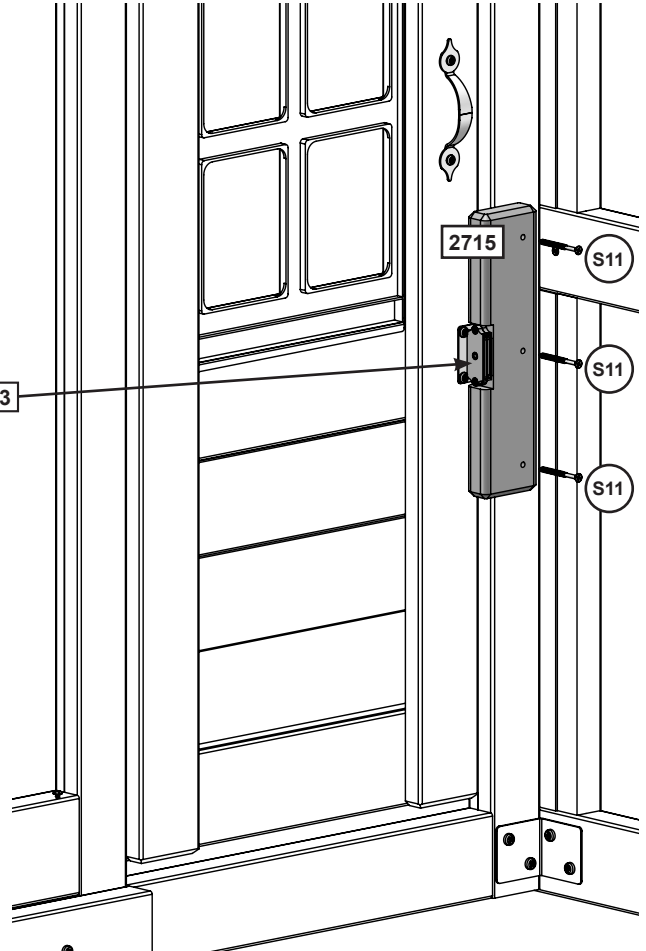
**Important: Use a hand held screw driver and DO NOT over tighten.**



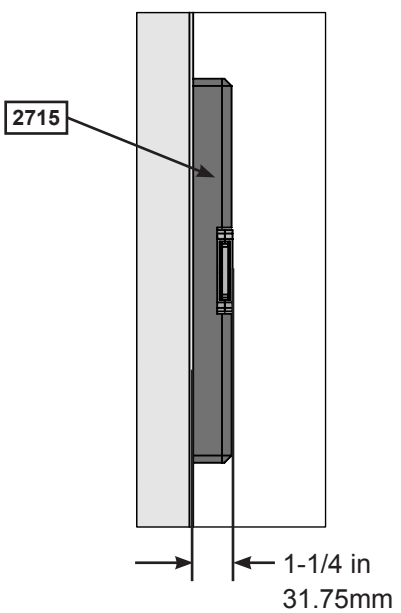
**Close door and vertically center magnetic catch to catch plate to assemble.**



Inside View



Side View



**Wood Parts**

1 x 2715 25.4 x 63.5 x 254 mm (1 x 2 1/2 x 10 in)

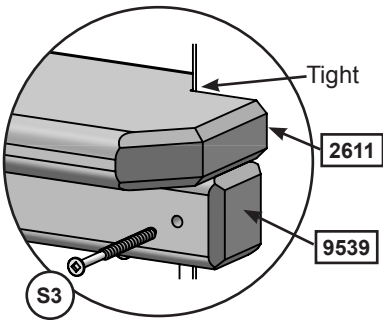
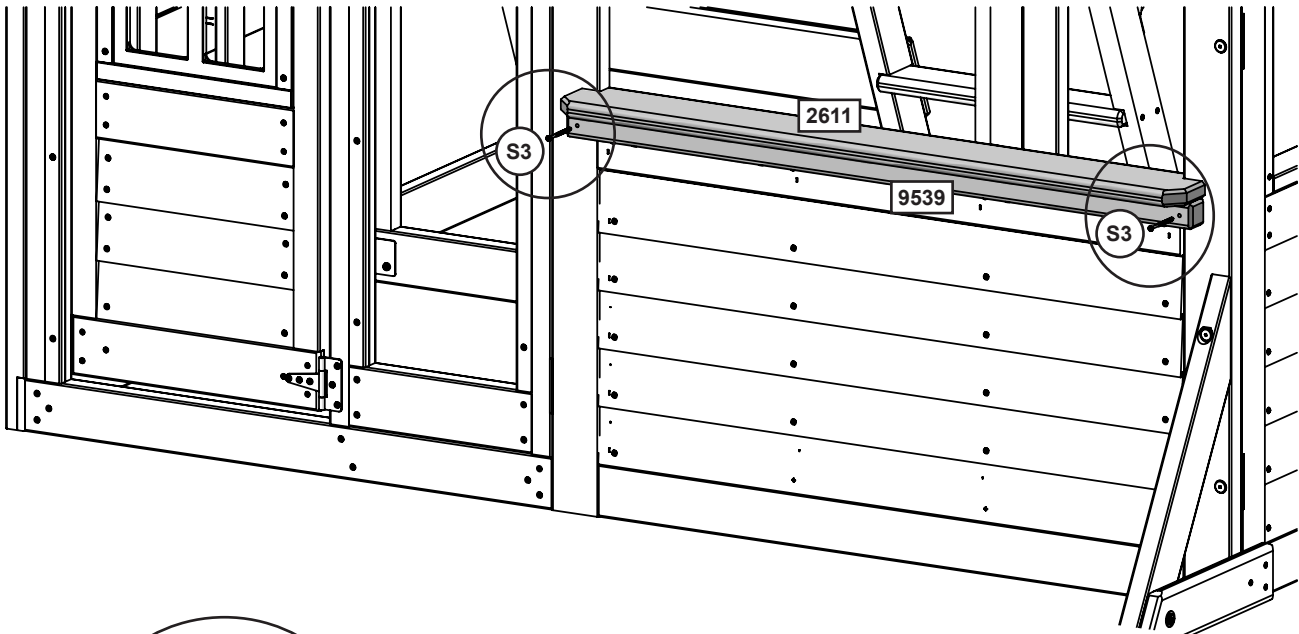
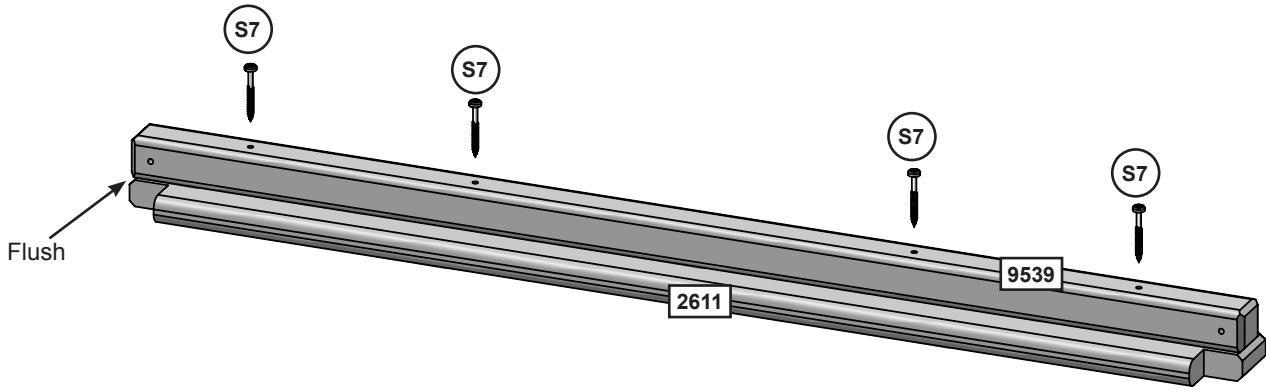
**Hardware**

2 x S38 #7 x 28.6mm (#7 x 1-1/8 in)  
 3 x S11 #8 x 50.8mm (#8 x 2 in)



parts.kidkraft.com

customerservice@kidkraft.com  
 1.800.933.0771  
 972.385.0100



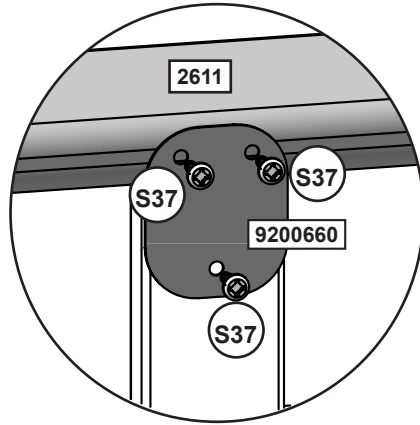
**Wood Parts**

- 1 x 2611 23.8 x 108 x 1006.5 mm (15/16 x 4 1/4 x 39 5/8 in)
- 1 x 9539 31.8 x 31.8 x 1006.5 mm (1 1/4 x 1 1/4 x 39 5/8 in)

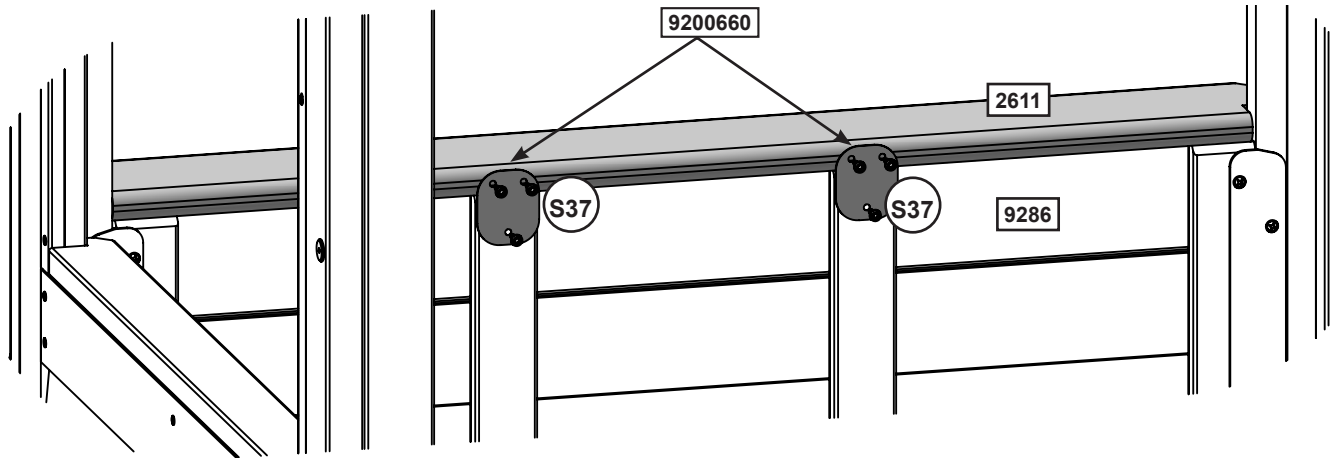
**Hardware**

- 2 x S3 #8 x 63.5mm (#8 x 2-1/2 in)
- 4 x S7 #12 x 50.8mm (#12 x 2 in)






Inside View



**Hardware**

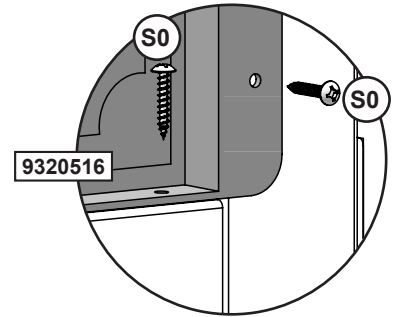
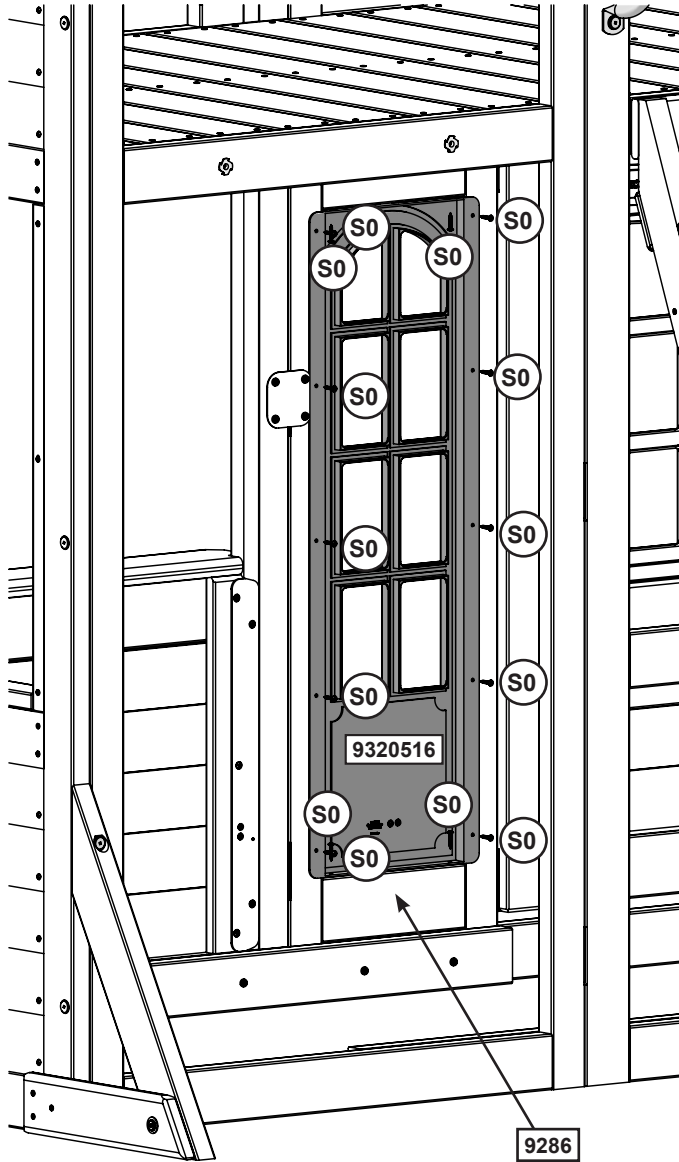
6 x  #7 x 15.9mm (#7 x 5/8 in)

**Other Parts**

2 x 



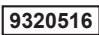
Inside View



**Hardware**

14 x  #8 x 22.2mm (#8 x 7/8 in)

**Other Parts**

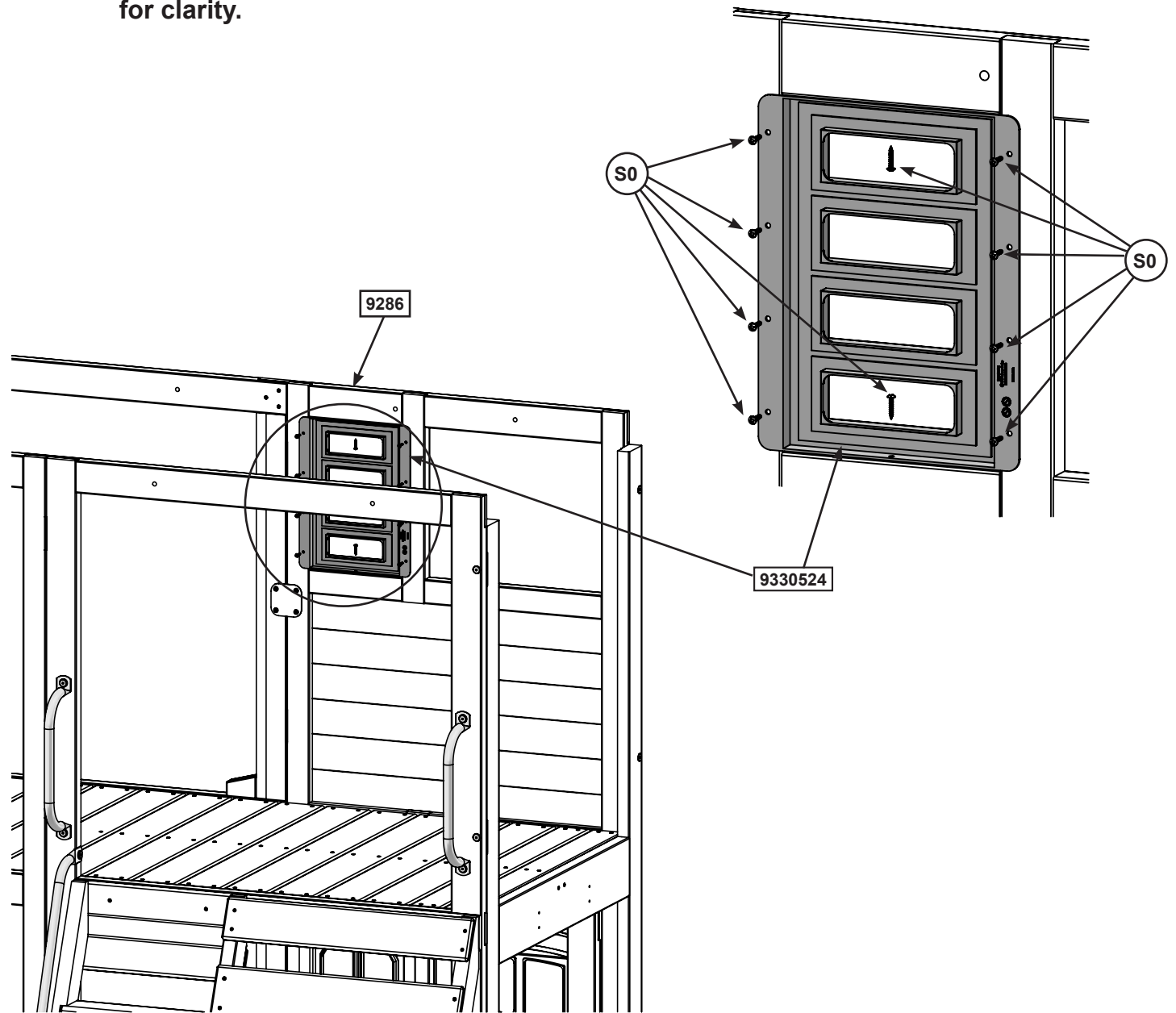
1 x 





Note: Structure partly removed for clarity.

Inside View

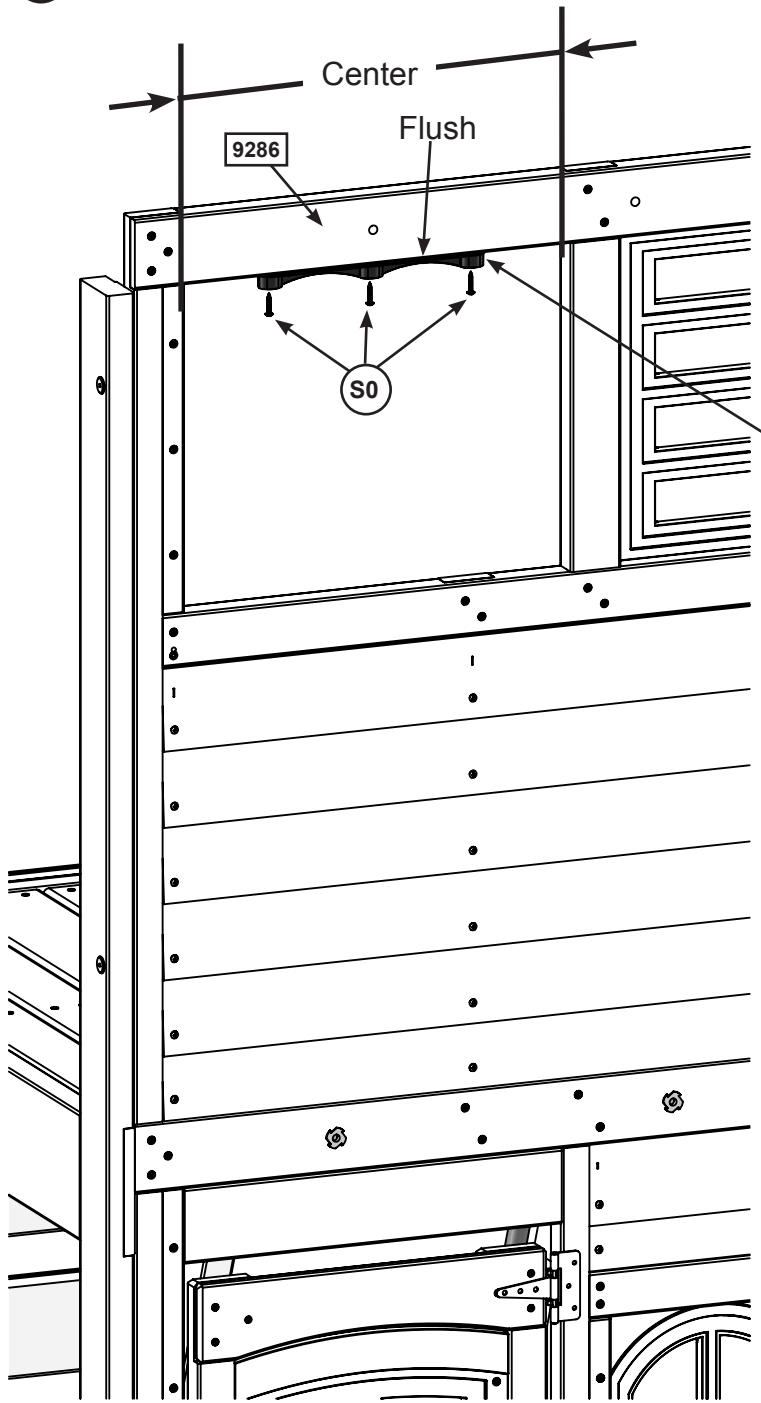


**Hardware**

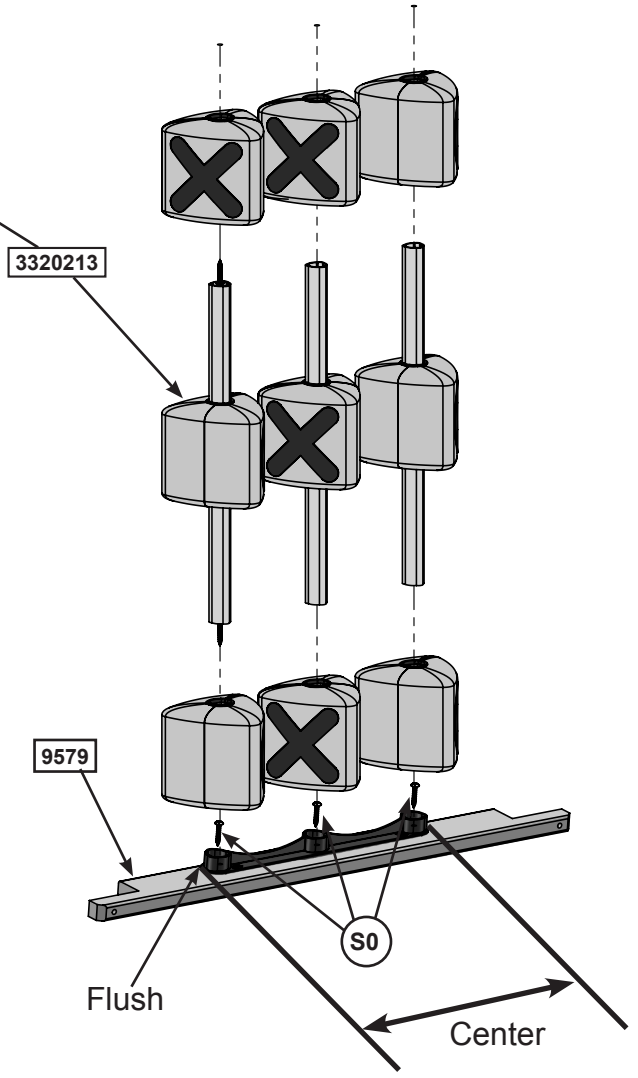
10 x #8 x 22.2mm (#8 x 7/8 in)

**Other Parts**

1 x 9330524



Front



**Wood Parts**

1 x 9579 15.9 x 50.8 x 557.1 mm (5/8 x 2 x 21 15/16 in)

**Hardware**

6 x S0 #8 x 22.2mm (#8 x 7/8 in)

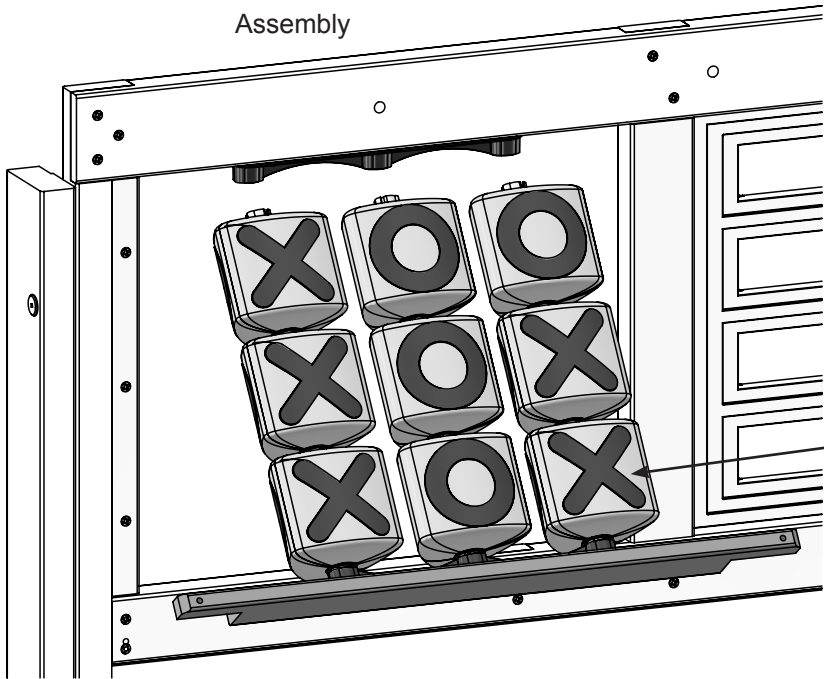
**Other Parts**

1 x 3320213

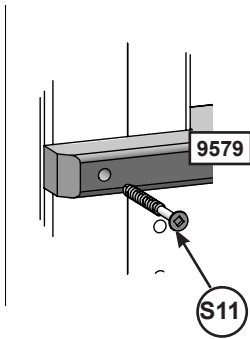




Front Panel Assembly

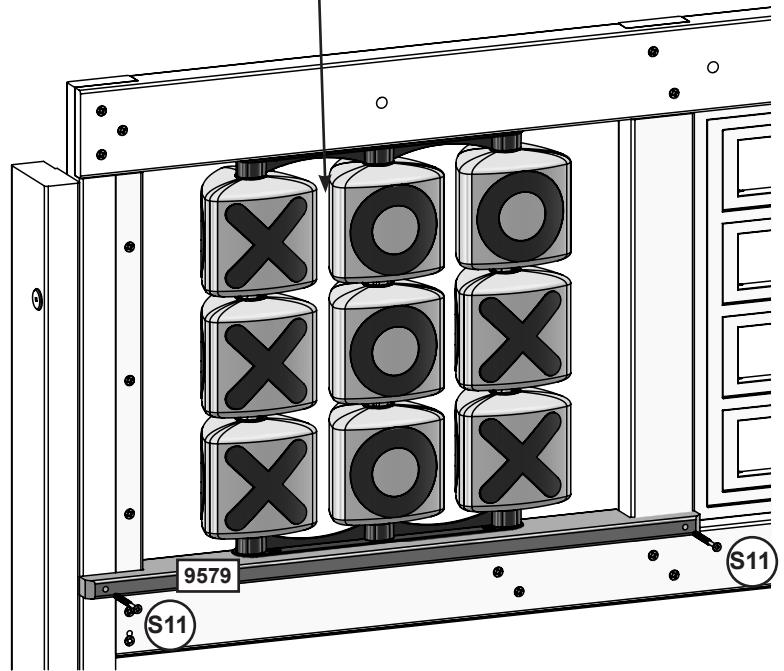


3320213



9579

S11



9579

S11

S11

**Hardware**

2 x S11 #8 x 50.8mm (#8 x 2 in)



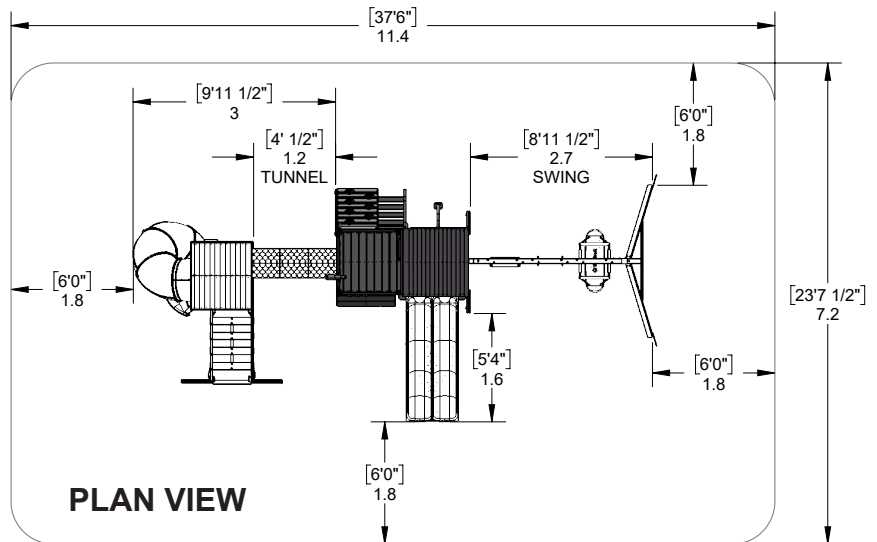
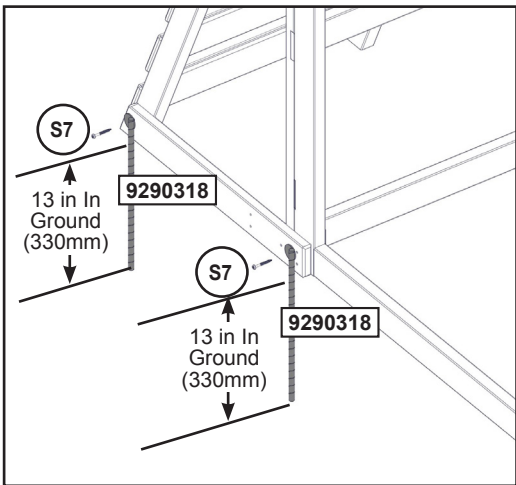
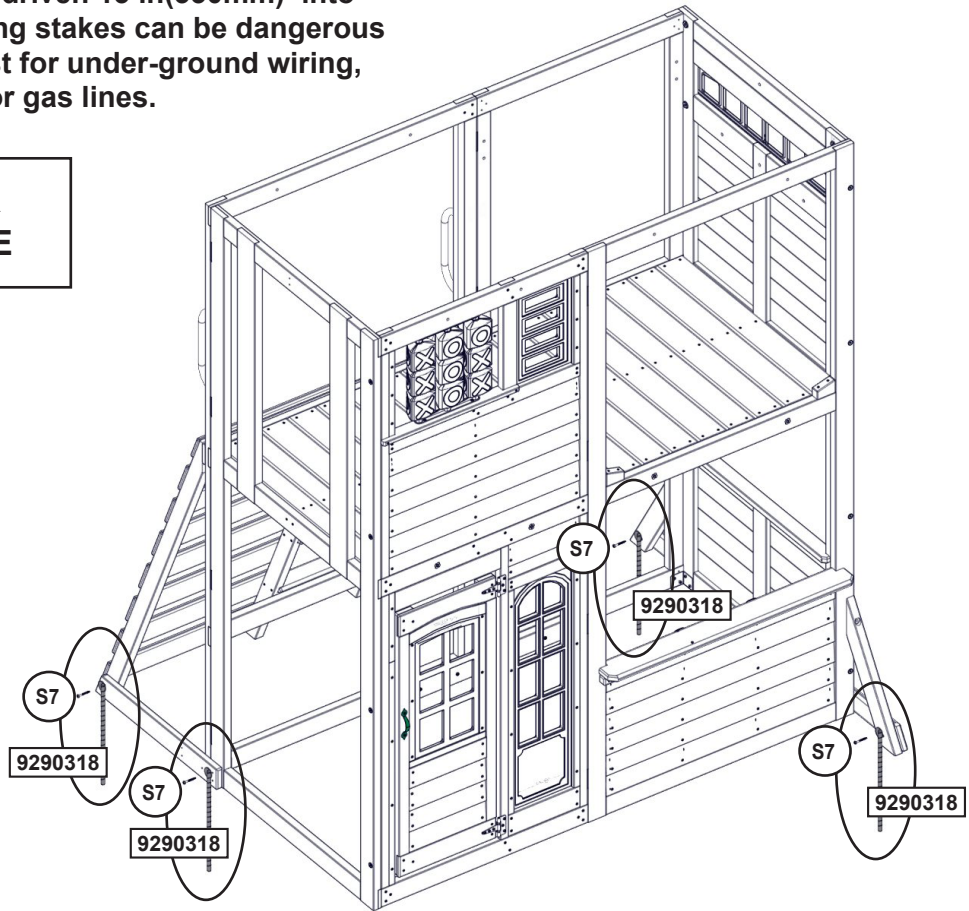
31

**MOVE FORT TO FINAL LOCATION PRIOR TO STAKING  
FINAL LOCATION MUST BE LEVEL GROUND**



**Warning! To prevent tipping and avoid potential injury, stakes must be driven 13 in(330mm) into ground. Digging or driving stakes can be dangerous if you do not check first for under-ground wiring, cables or gas lines.**

**SEE PLAN VIEW FOR  
SAFETY CLEARANCE**



**Hardware**

4 x **S7** #12 x 50.8mm (#12 x 2 in)

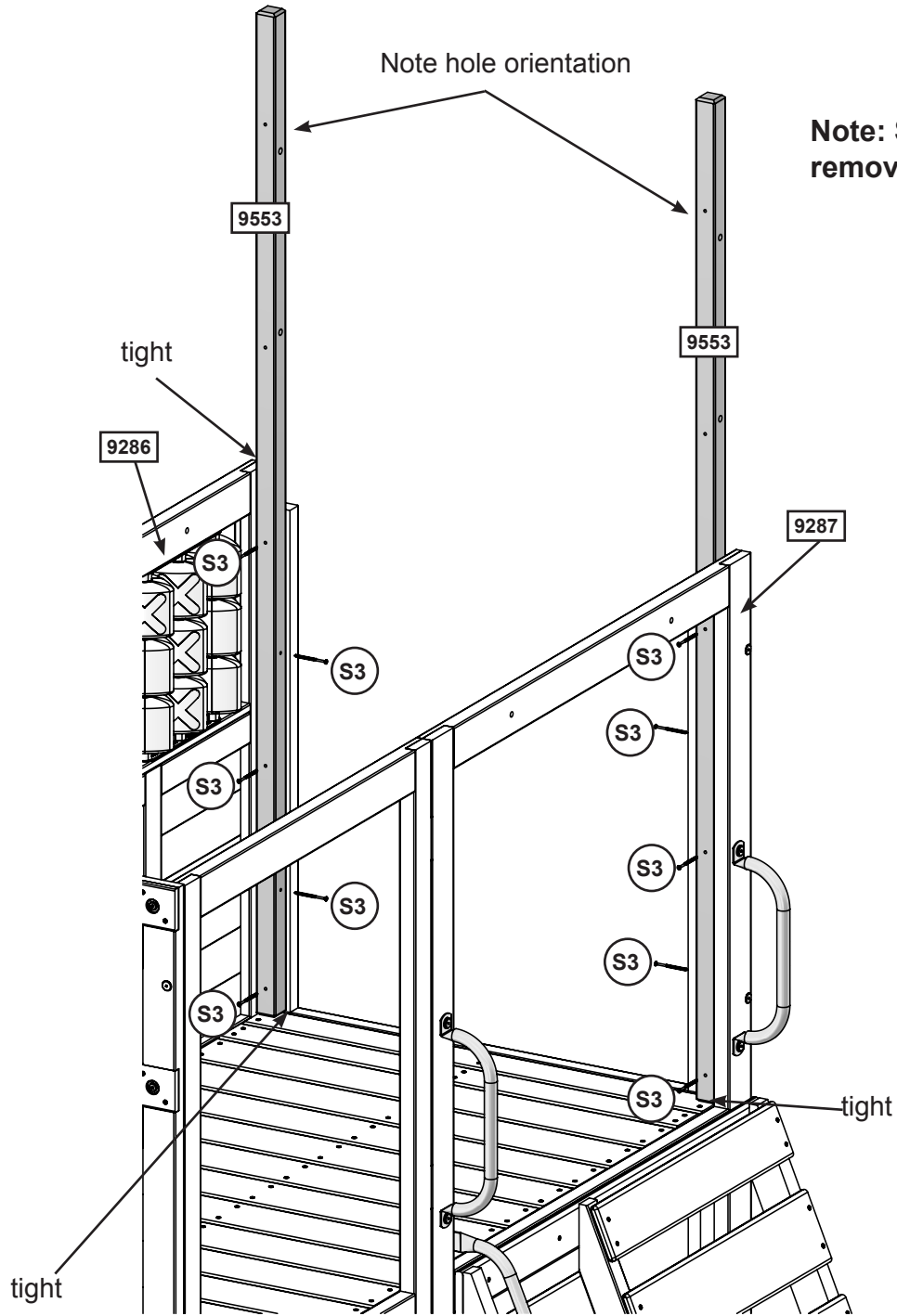
**Other Parts**

4 x **9290318**

europecustomerservice@kidkraft.com  
+31 20 305 8620  
M-F from 09:00 to 17:30 (GMT+1)

parts.kidkraft.eu





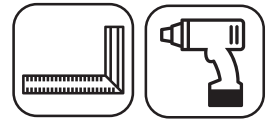
Note: Structure partly removed for clarity.

**Wood Parts**

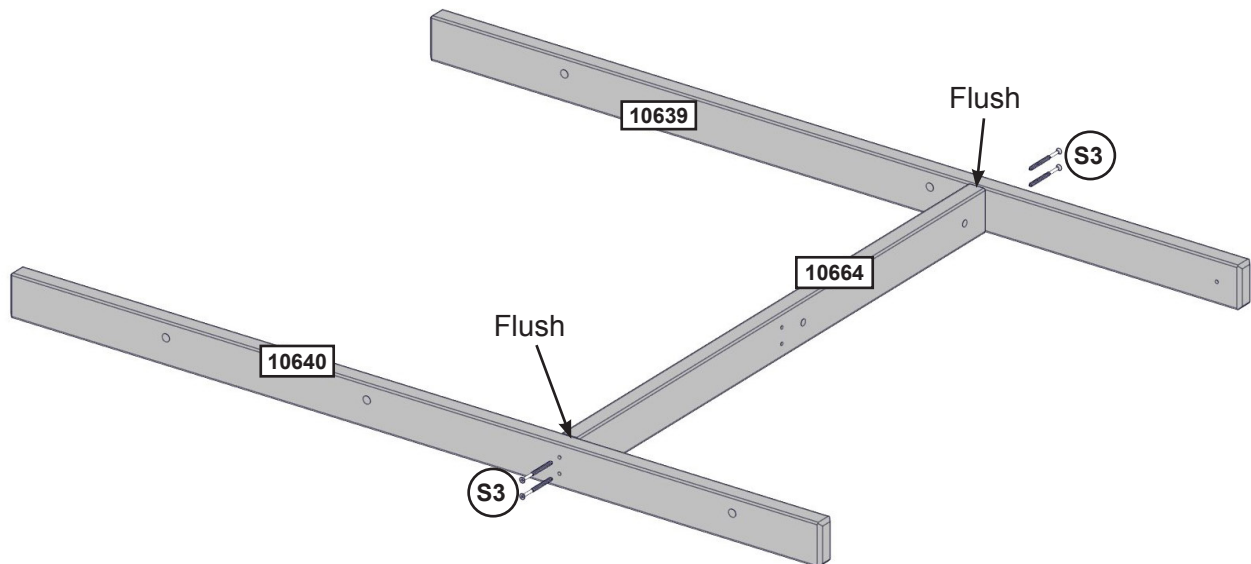
2 x 9553 38.1 x 38.1 x 1828.8 mm (1 1/2 x 1 1/2 x 72 in)

**Hardware**

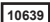
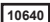

10 x S3 #8 x 63.5mm (#8 x 2-1/2 in)



Make sure the assembly is square!



#### Wood Parts

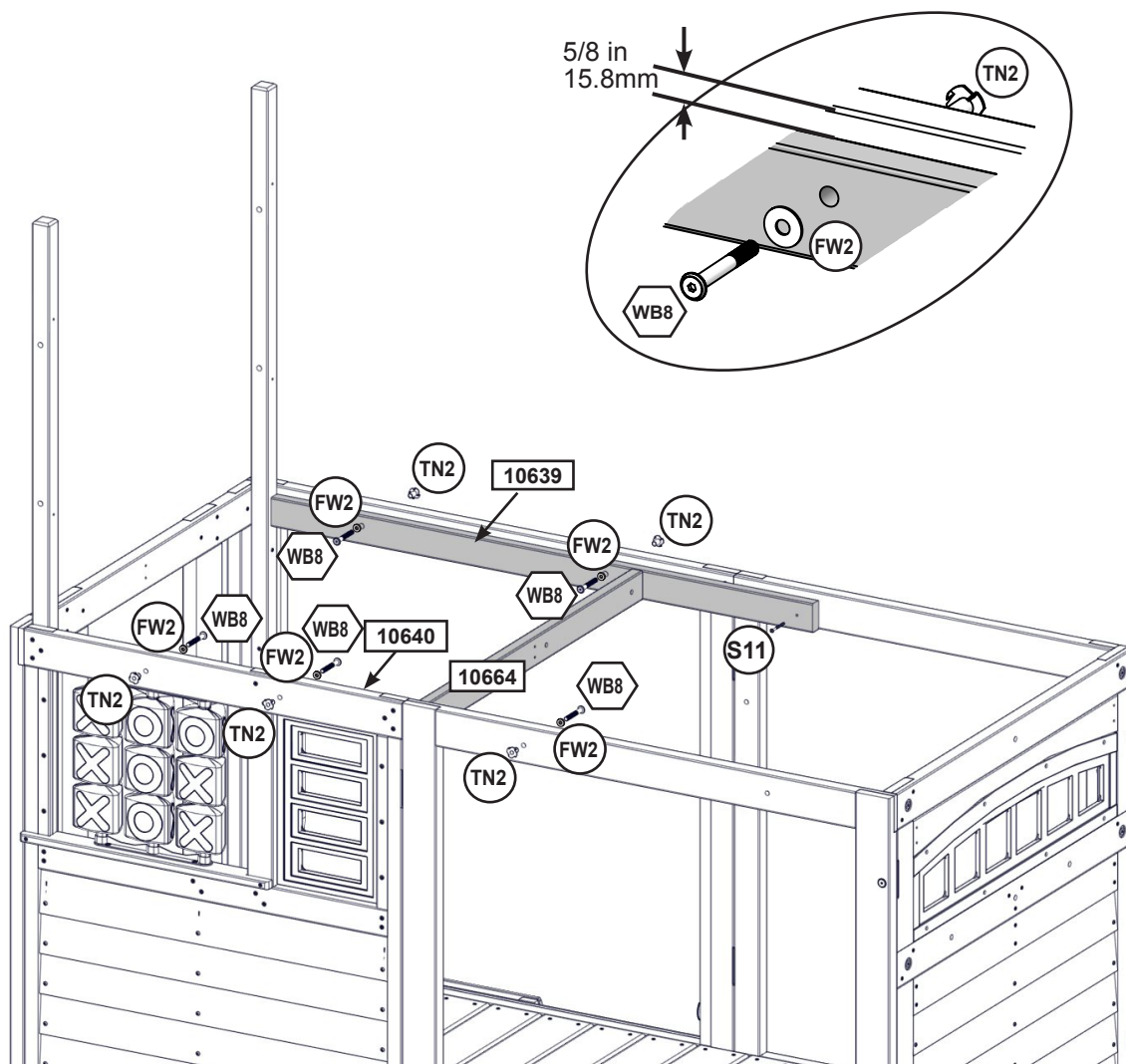
- 1 x  25.4 x 60.3 x 1213 mm (1 x 2 3/8 x 47 3/4 in)
- 1 x  25.4 x 60.3 x 1213 mm (1 x 2 3/8 x 47 3/4 in)
- 1 x  25.4 x 60.3 x 855.3 mm (1 x 2 3/8 x 33 11/16 in)

#### Hardware

- 4 x  #8 x 63.5mm (#8 x 2-1/2 in)



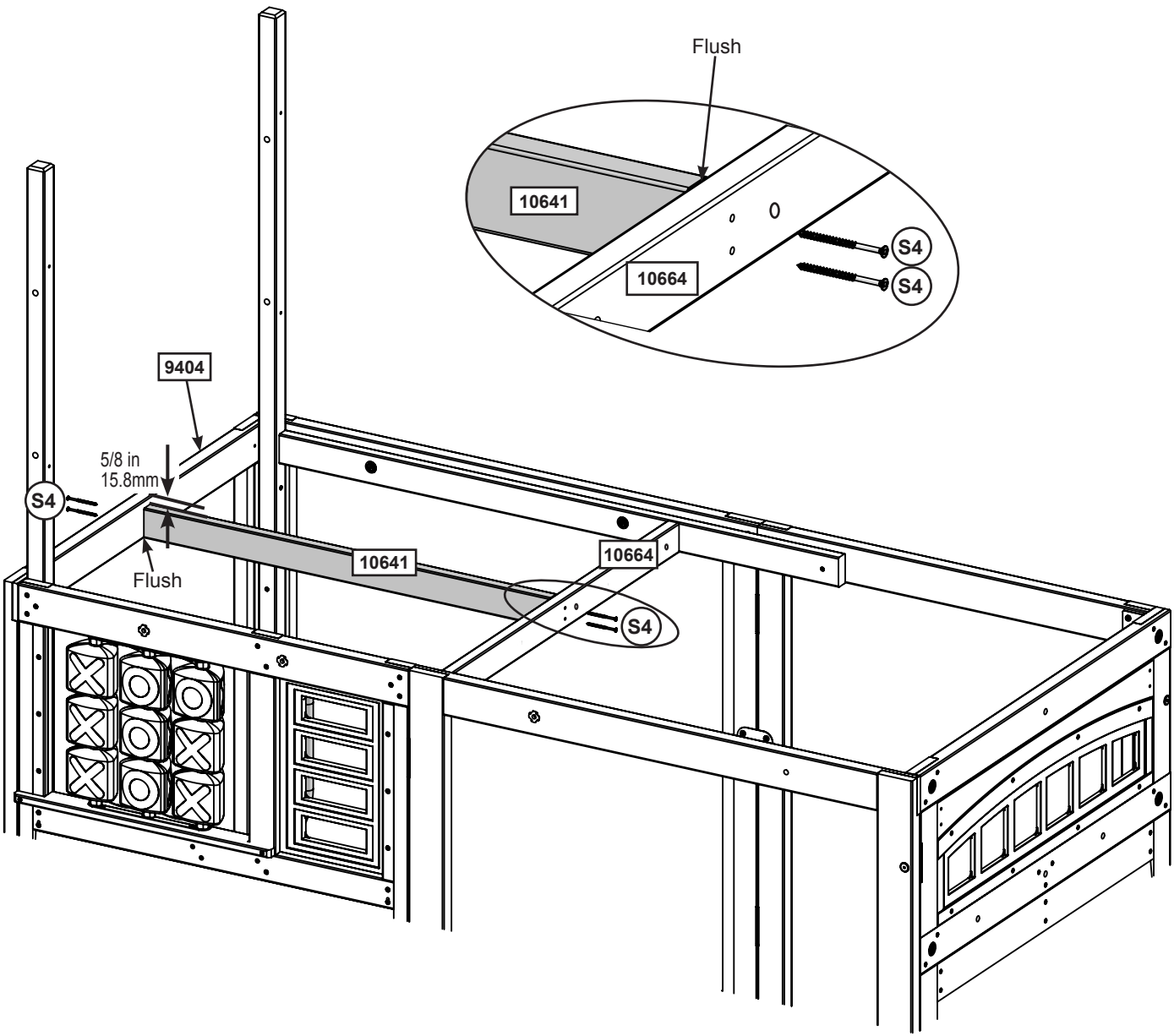
Assemble T-Nuts first with hammer!



**Hardware**

1 x (S11) #8 x 50.8mm (#8 x 2 in)

5 x (WB8) 7.9mm x 60.3 mm (5/16 x 2-3/8 in)(FW2, TN2)



**Wood Parts**

1 x **10641** 25.4 x 60.3 x 846.2 mm (1 x 2 3/8 x 33 5/16 in)

**Hardware**

4 x **S4** #8 x 76.2mm (#8 x 3 in)

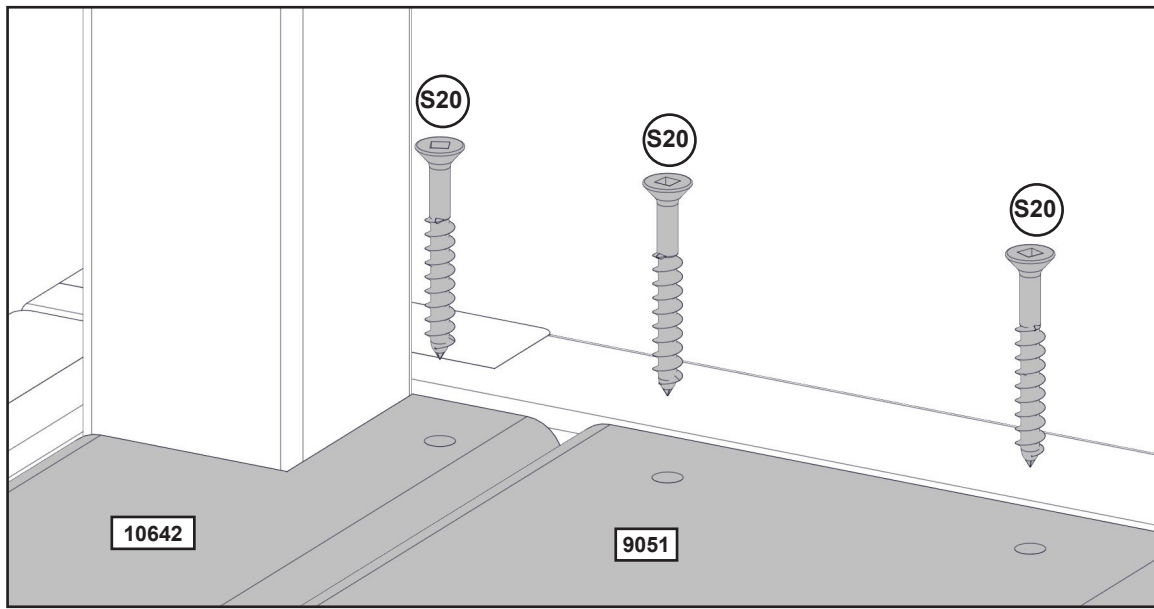
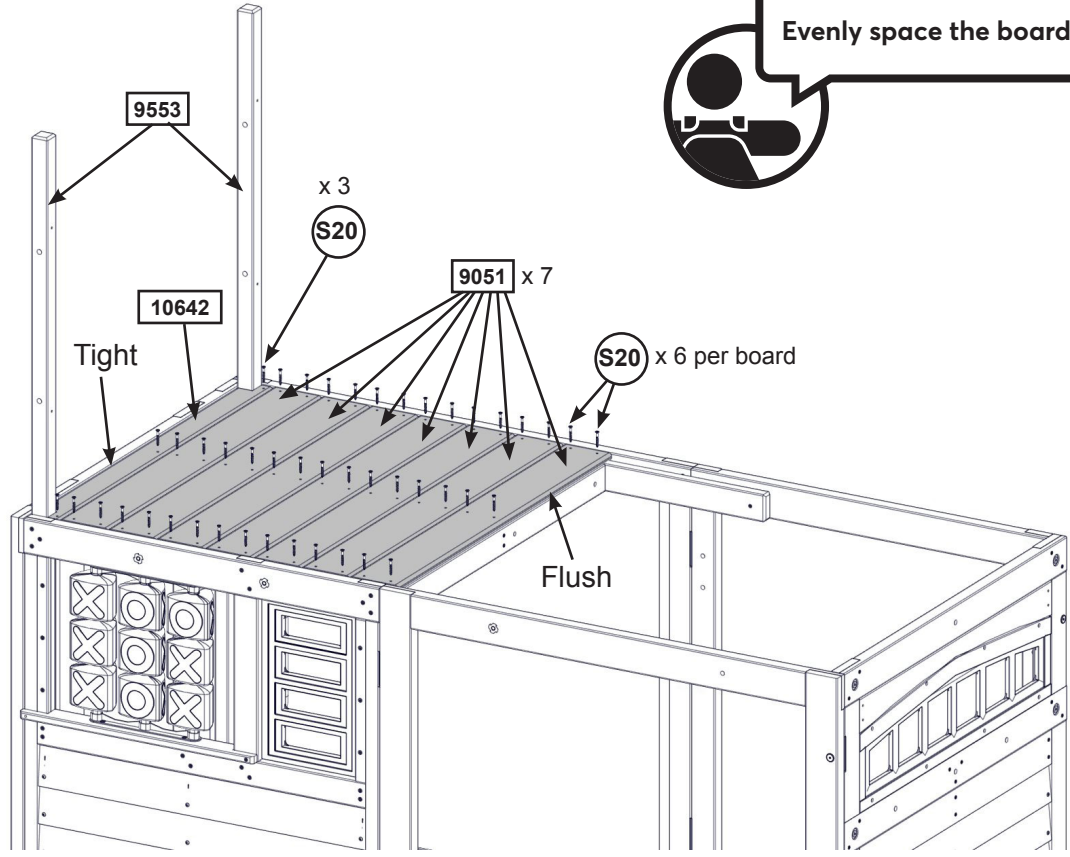
europcustomerservice@kidkraft.com  
+31 20 305 8620  
M-F from 09:00 to 17:30 (GMT+1)

parts.kidkraft.eu





Evenly space the boards



**Wood Parts**

- 1 x 10642 15.9 x 65.5 x 904.9 mm (5/8 x 2 9/16 x 35 5/8 in)
- 7 x 9051 15.9 x 114.3 x 904.9 mm (1 x 4 1/2 x 35 5/8 in)

**Hardware**

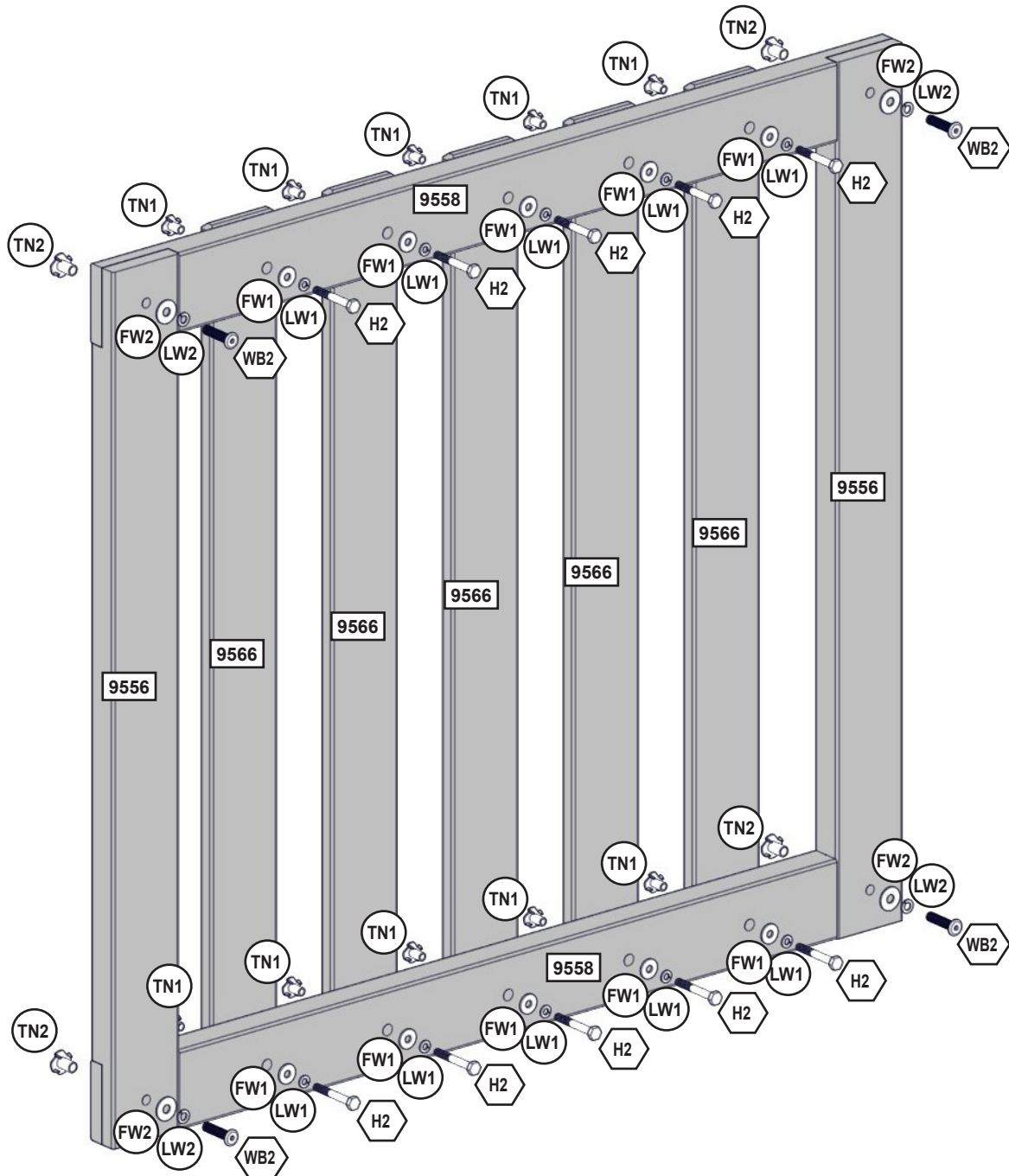
- 45 x (S20) #8 x 34.9mm (#8 x 1-3/8 in)



parts.kidkraft.com

customerservice@kidkraft.com  
1.800.933.0771  
972.385.0100

Assemble T-Nuts first with hammer!



**Wood Parts**

- 2 x 31.8 x 76.2 x 838.2 mm (1 1/4 x 3 x 33 in)
- 2 x 31.8 x 76.2 x 908 mm (1 1/4 x 3 x 35 3/4 in)
- 5 x 15.9 x 76.2 x 838.2 mm (5/8 X 3 X 32 5/8 in)

**Hardware**

- 4 x 7.9mm x 34.9 mm (5/16 x 1-3/8 in)(FW2, LW2, TN2)
- 10 x 6.4mm x 50.8mm (1/4 x 2 in)(FW1, LW1, TN1)

europecustomerservice@kidkraft.com  
 +31 20 305 8620  
 M-F from 09:00 to 17:30 (GMT+1)

parts.kidkraft.eu



Assemble T-Nuts first with hammer!

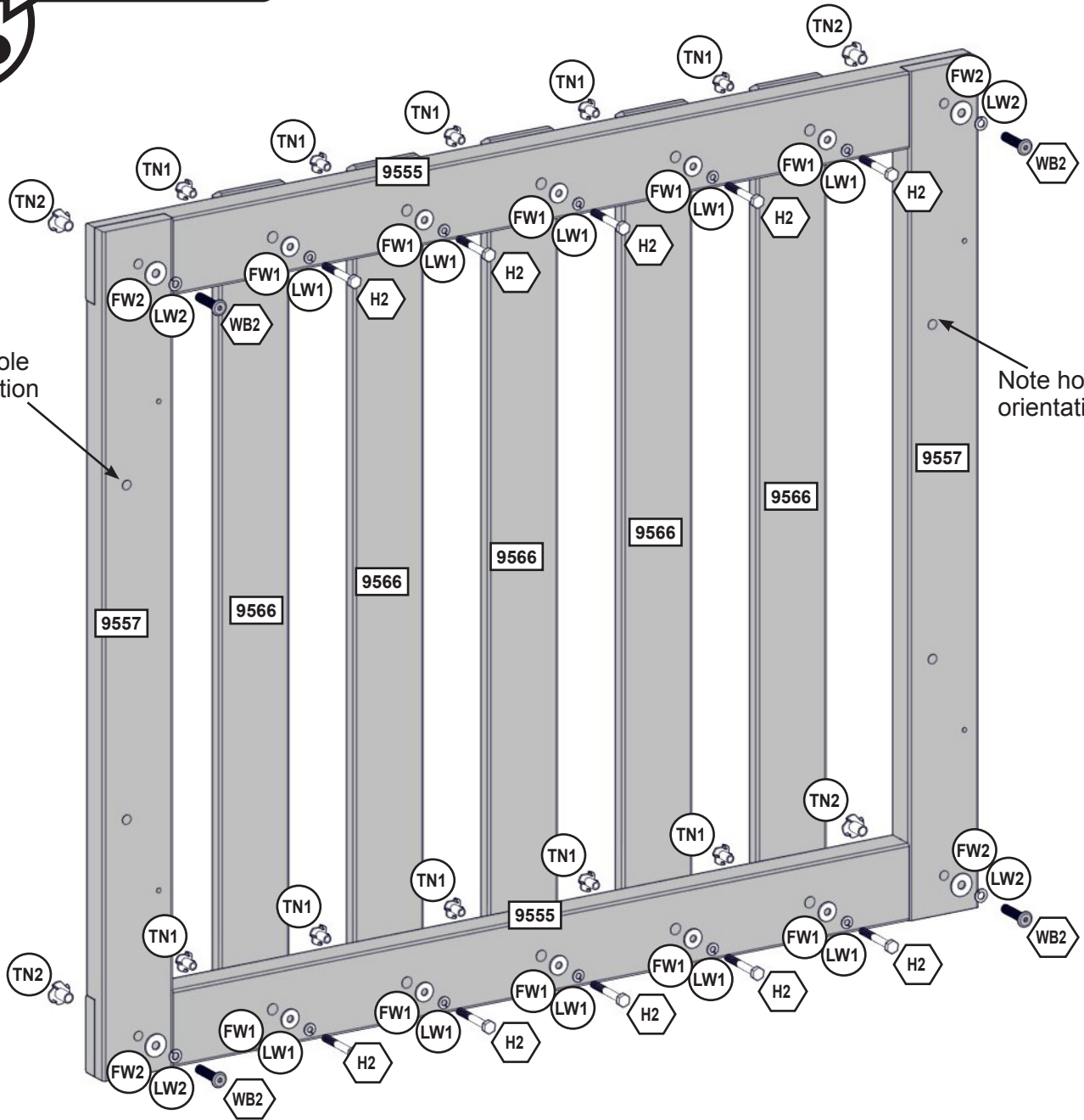


Note hole orientation



Note hole orientation

Note hole orientation



**Wood Parts**

- 2 x **9555** 31.8 x 76.2 x 954.3 mm (1 1/4 x 3 x 37 9/16 in)
- 5 x **9566** 15.9 x 76.2 x 838.2 mm (5/8 x 3 x 32 5/8 in)
- 2 x **9557** 31.8 x 76.2 x 838.2 mm (1 1/4 x 3 x 33 in)

**Hardware**

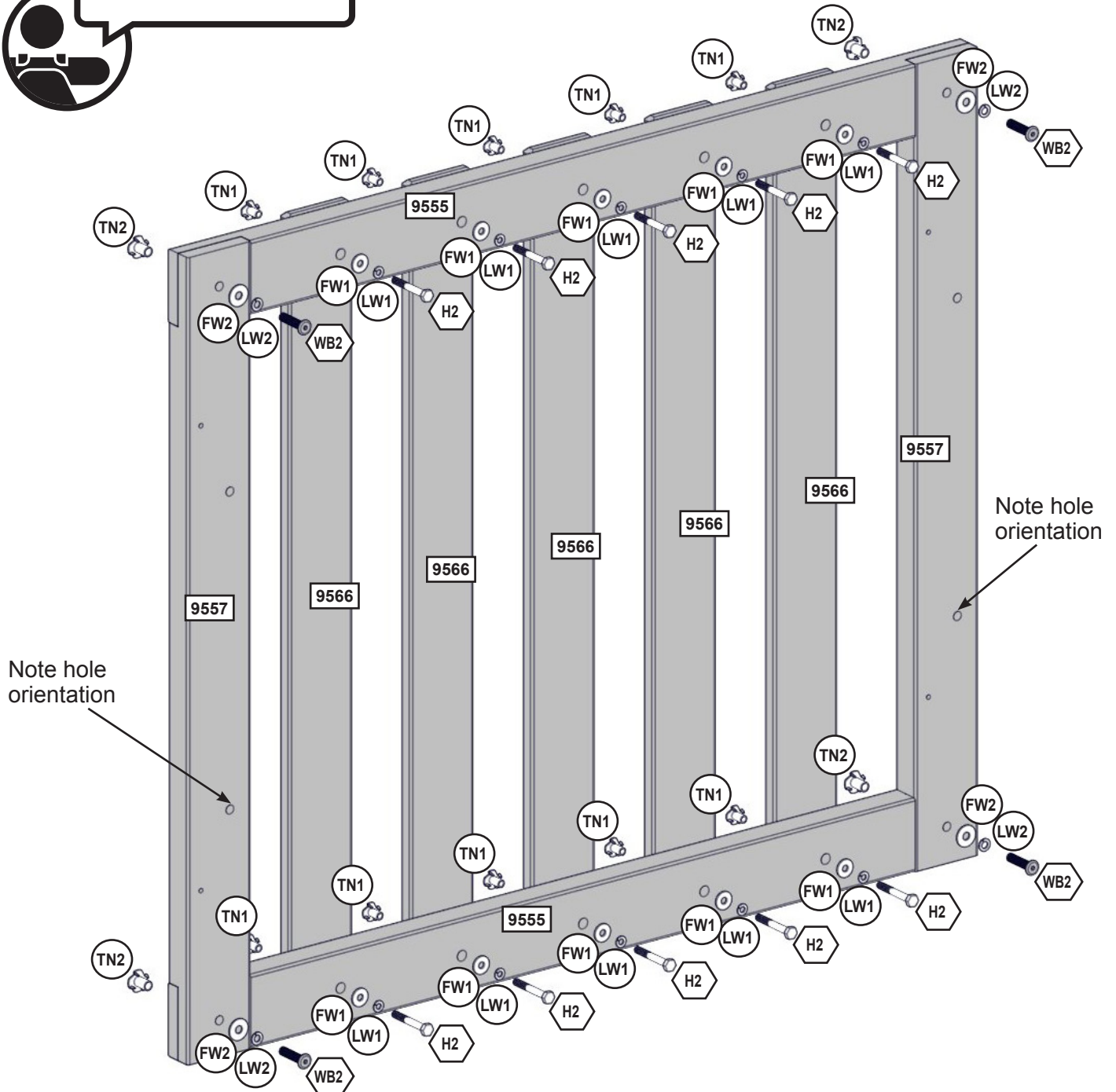
- 4 x **WB2** 7.9mm x 34.9 mm (5/16 x 1-3/8 in)(FW2, LW2, TN2)
- 10 x **H2** 6.4mm x 50.8mm (1/4 x 2 in)(FW1, LW1, TN1)



Assemble T-Nuts first with hammer!



Note hole orientation



**Wood Parts**

- 2 x **9555** 31.8 x 76.2 x 954.3 mm (1 1/4 x 3 x 37 9/16 in)
- 5 x **9566** 15.9 x 76.2 x 838.2 mm (5/8 X 3 X 32 5/8 in)
- 2 x **9557** 31.8 x 76.2 x 838.2 mm (1 1/4 x 3 x 33 in)

**Hardware**

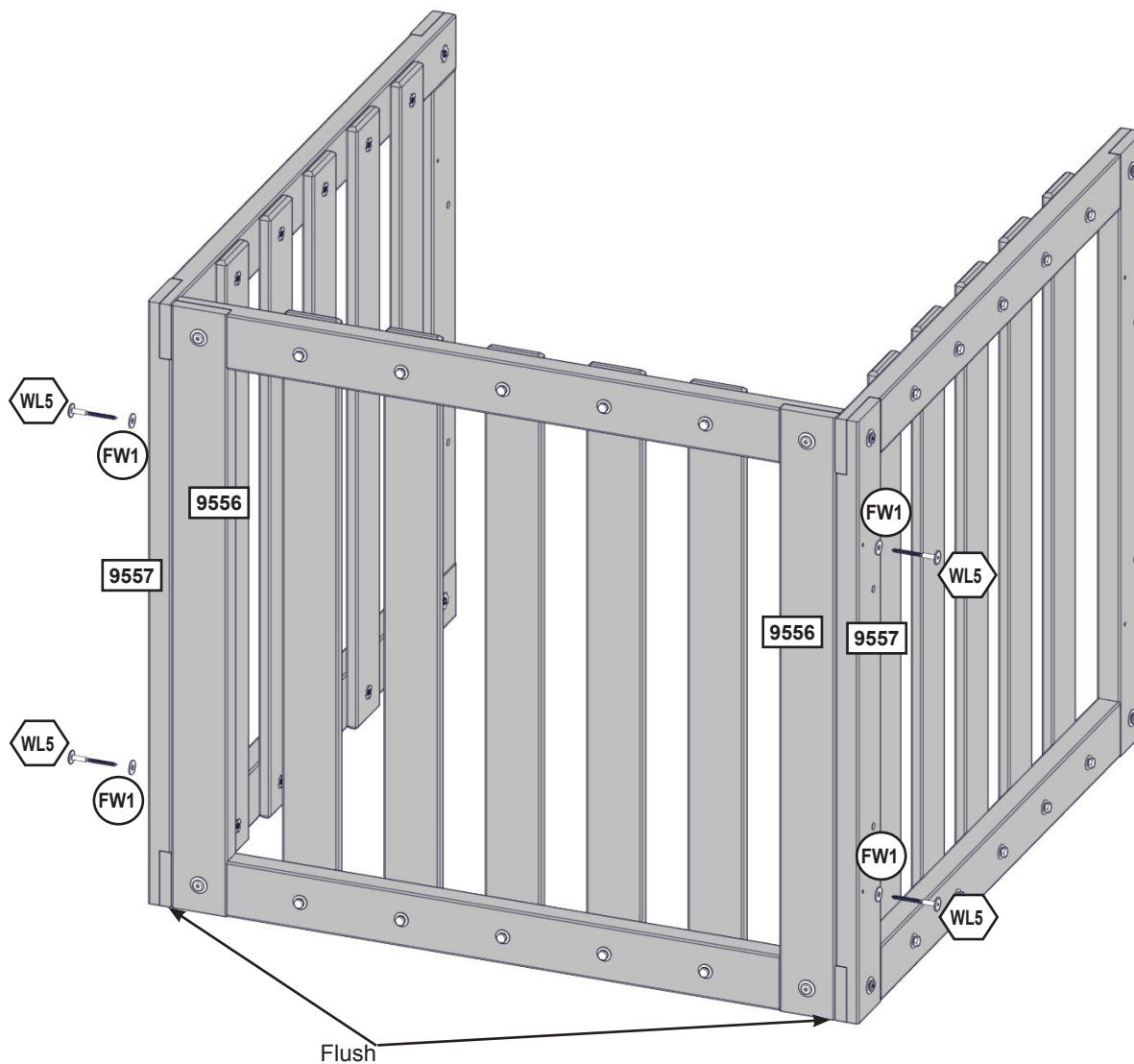
- 4 x **WB2** 7.9mm x 34.9 mm (5/16 x 1-3/8 in)(FW2, LW2, TN2)
- 10 x **H2** 6.4mm x 50.8mm (1/4 x 2 in)(FW1, LW1, TN1)

europecustomerservice@kidkraft.com  
 +31 20 305 8620  
 M-F from 09:00 to 17:30 (GMT+1)

parts.kidkraft.eu



Pre-drill holes using a 3/16 in drill bit.

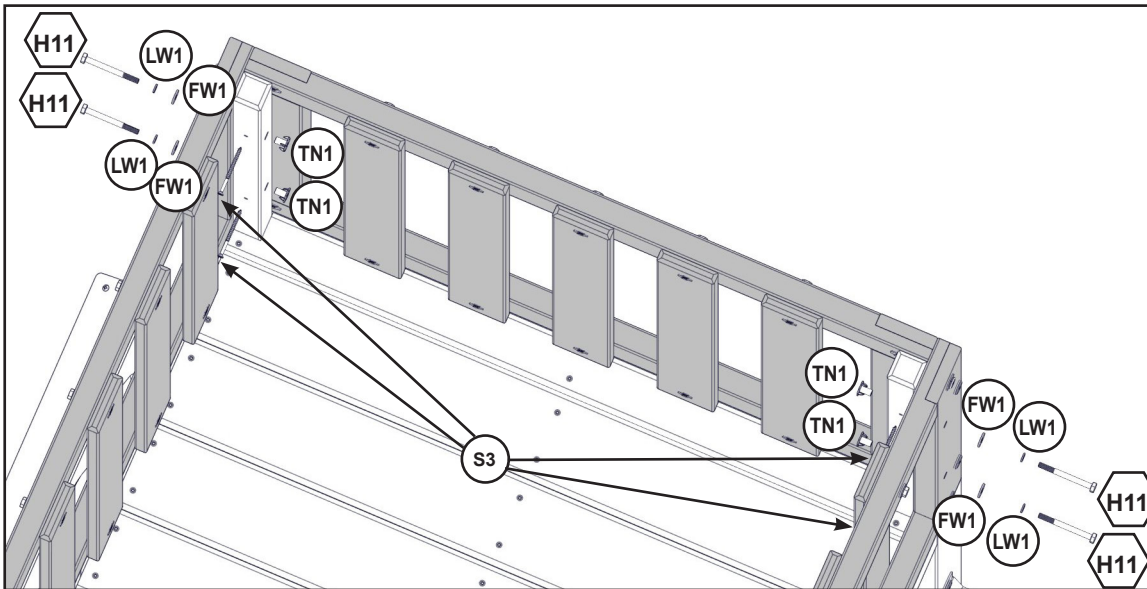
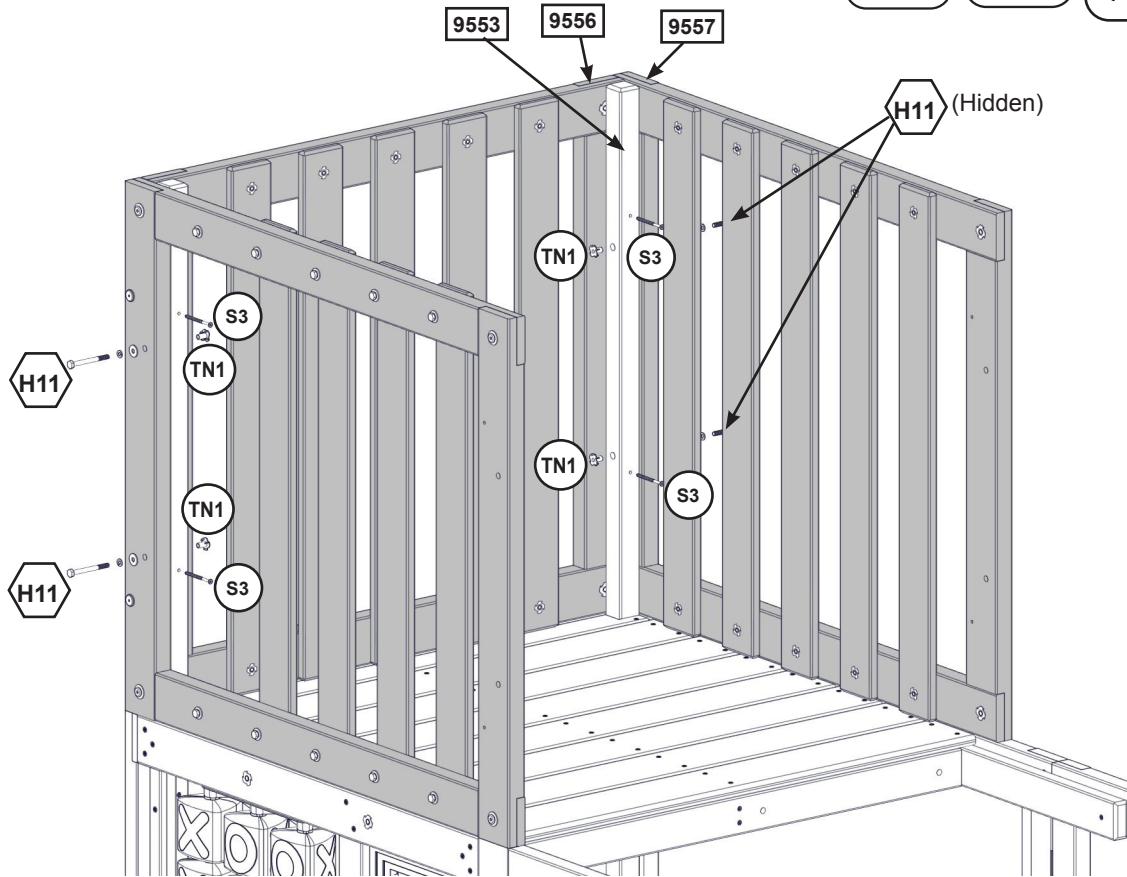


**Hardware**

4 x  6.4mm x 63.5 mm (1/4 x 2-1/2 in)(FW1)

41

Assemble T-Nuts first with hammer!



**Hardware**

4 x  #8 x 63.5mm (#8 x 2-1/2 in)

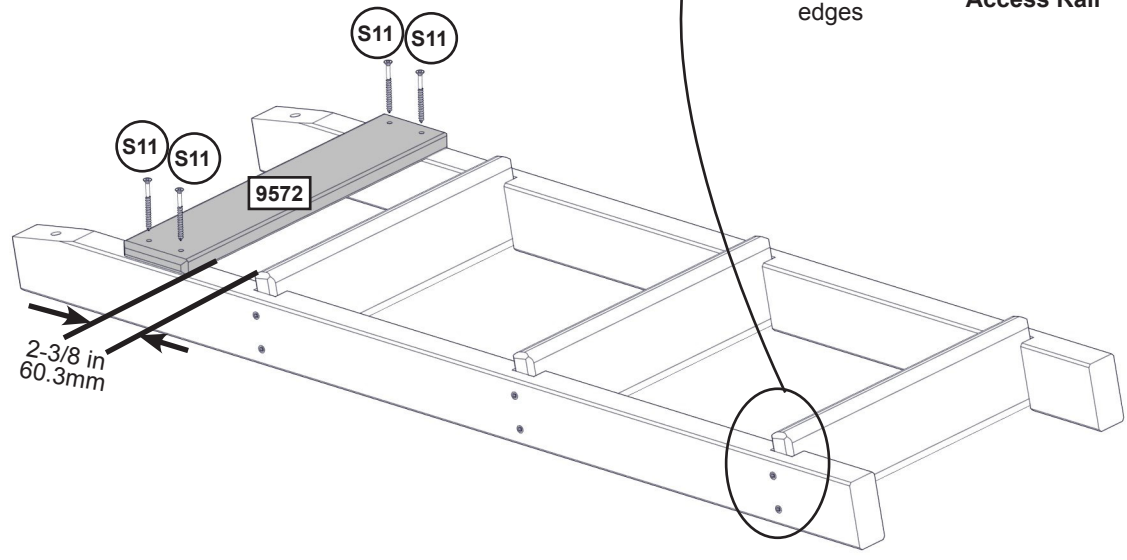
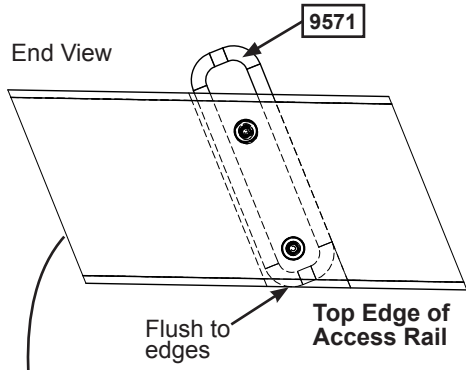
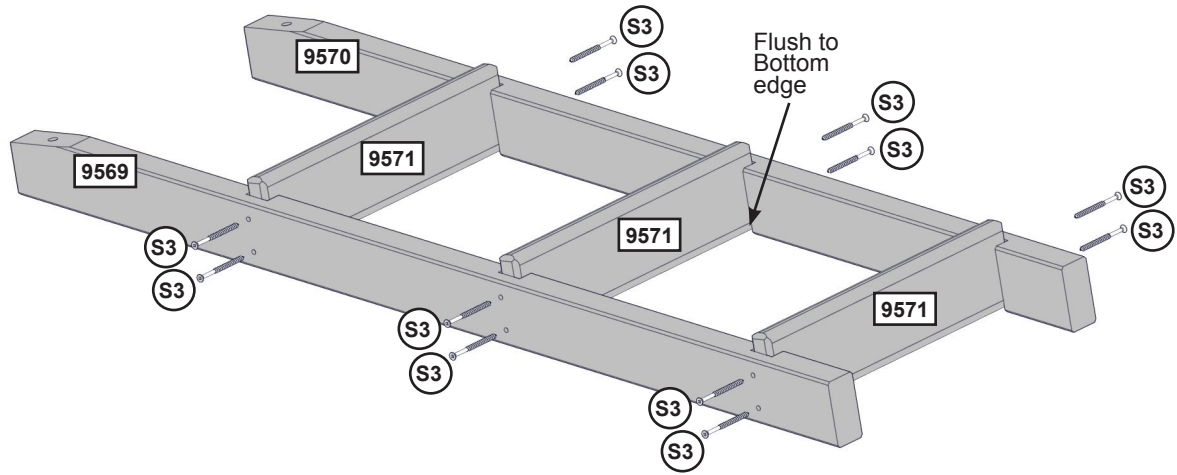
4 x  6.4mm x 69.9mm (1/4 x 2-3/4 in)(FW1, LW1, TN1)

europecustomerservice@kidkraft.com  
+31 20 305 8620  
M-F from 09:00 to 17:30 (GMT+1)

parts.kidkraft.eu



Pre-drill holes using a 1/8" drill bit.

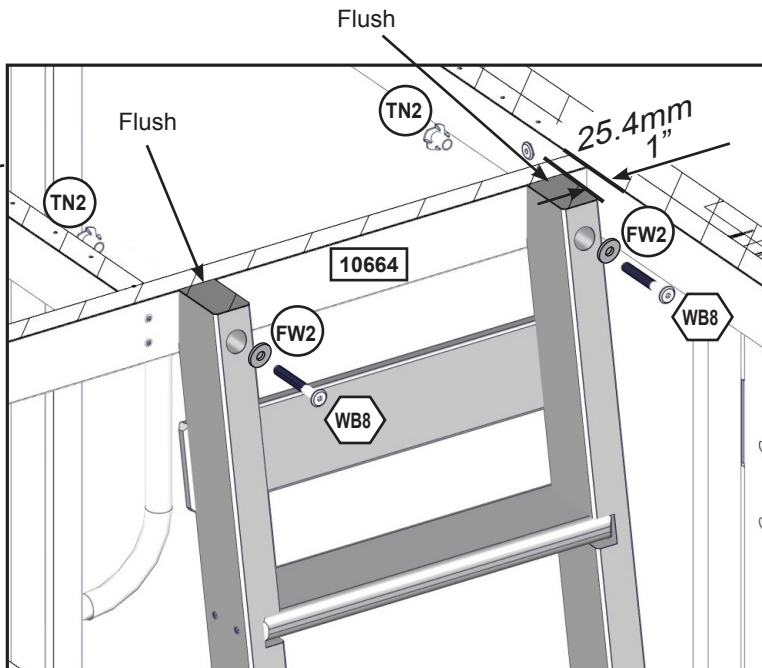
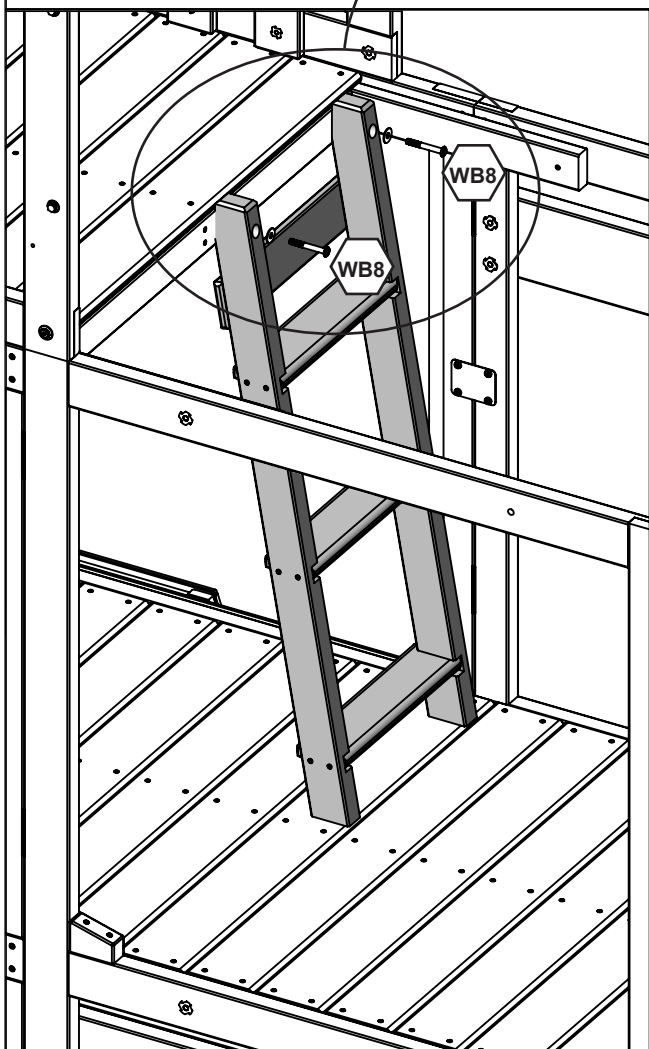


**Wood Parts**


- 1 x 9569 34.9 x 63.5 x 1011 mm (1 3/8 x 2 1/2 x 39 13/16 in)
- 1 x 9570 34.9 x 63.5 x 1011 mm (1 3/8 x 2 1/2 x 39 13/16 in)
- 3 x 9571 23.8 x 82.6 x 343 mm (15/16 x 3 1/4 x 12 in)
- 1 x 9572 15.9 x 76.2 x 374.6 mm (5/8 x 3 x 14 3/4 in)

**Hardware**

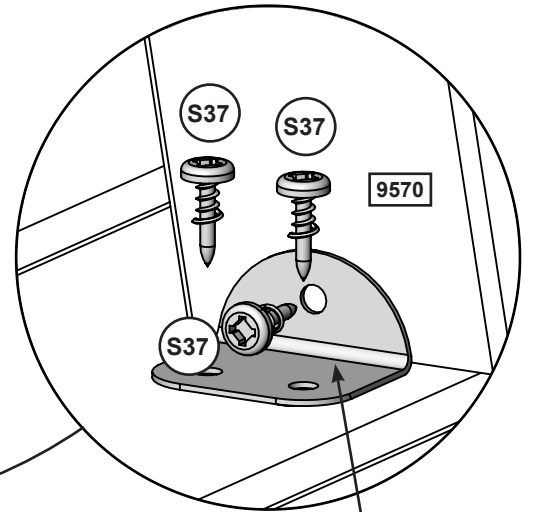
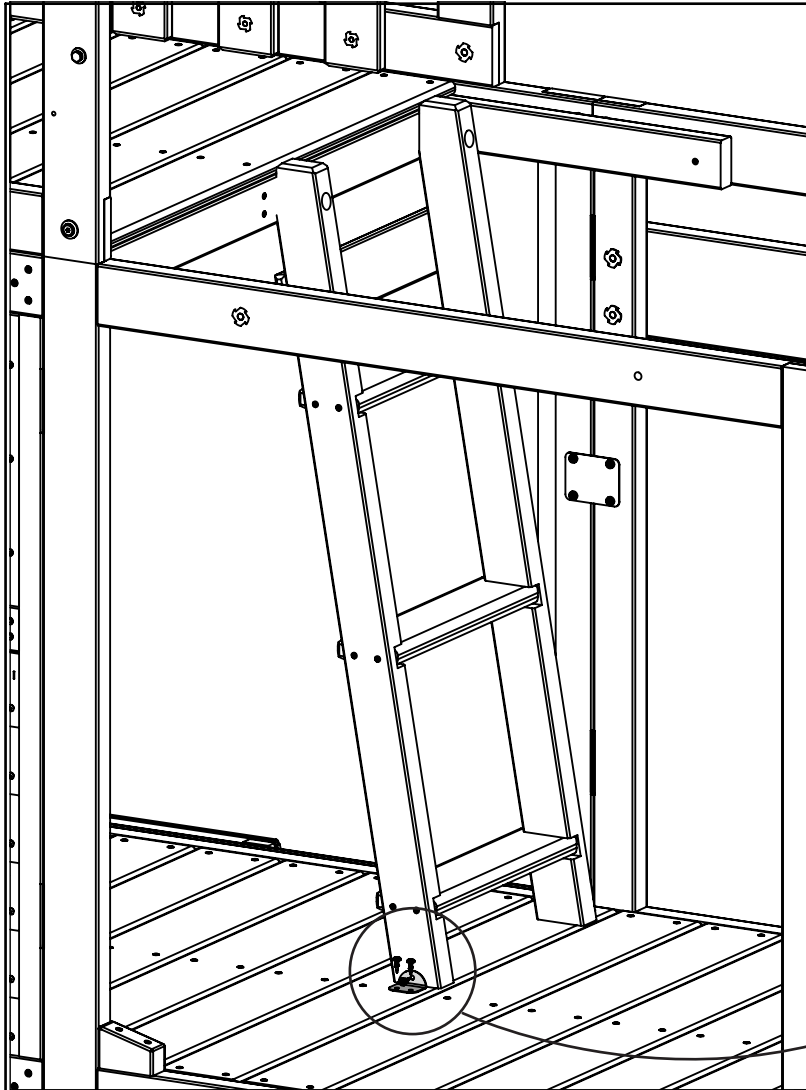
- 12 x S3 #8 x 63.5mm (#8 x 2-1/2 in)
- 4 x S11 #8 x 50.8mm (#8 x 2 in)



**Hardware**

2 x  7.9mm x 60.3 mm (5/16 x 2-3/8 in)(FW2, TN2)





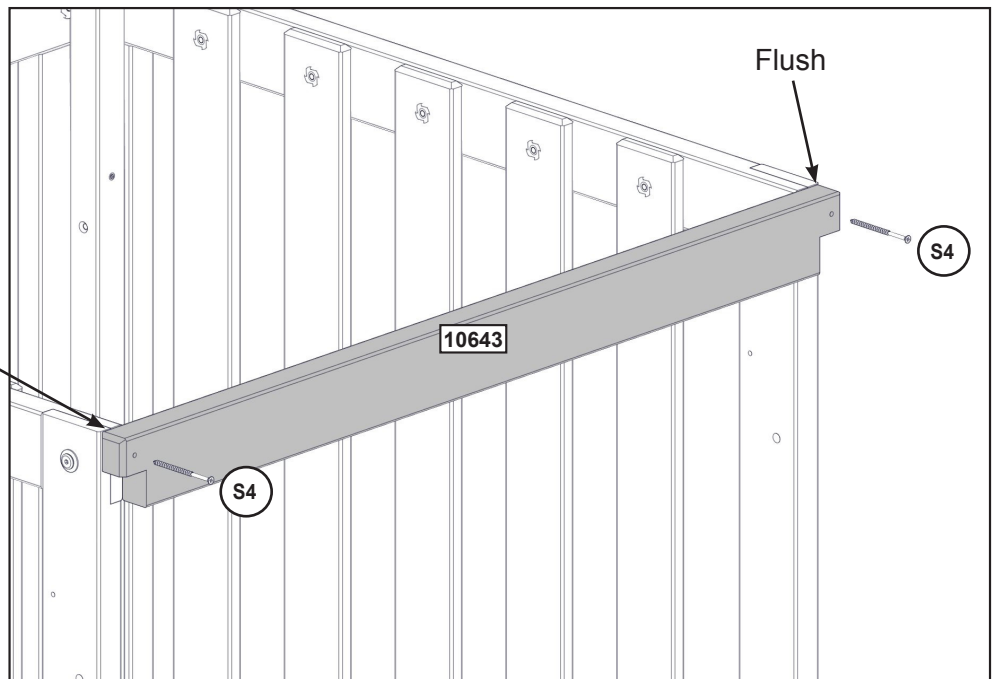
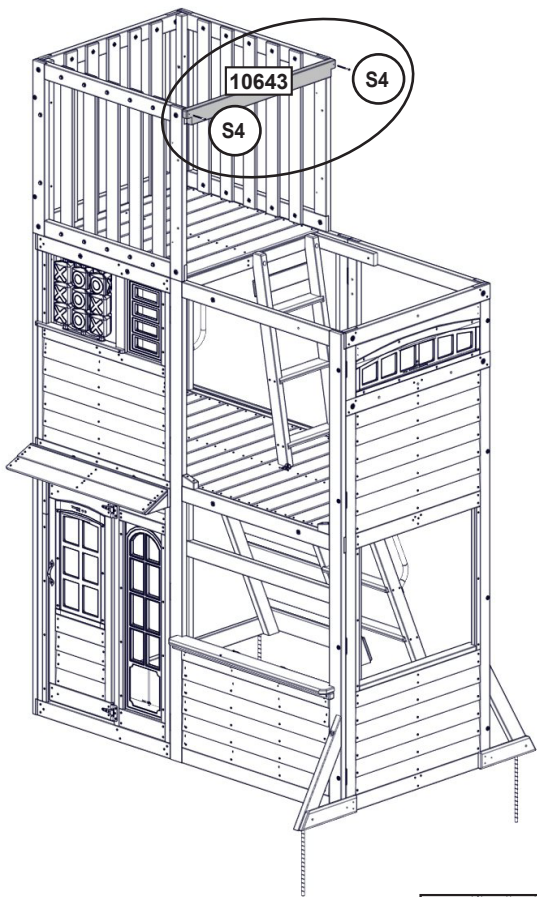
9206570

**Hardware**

3 x **S37** #7 x 15.9mm (#7 x 5/8 in)

**Other Parts**

1 x **9206570**



**Wood Parts**

1 x 10643 31.8 x 76.2 x 971.6 mm (1 1/4 x 3 x 38 1/4 in)

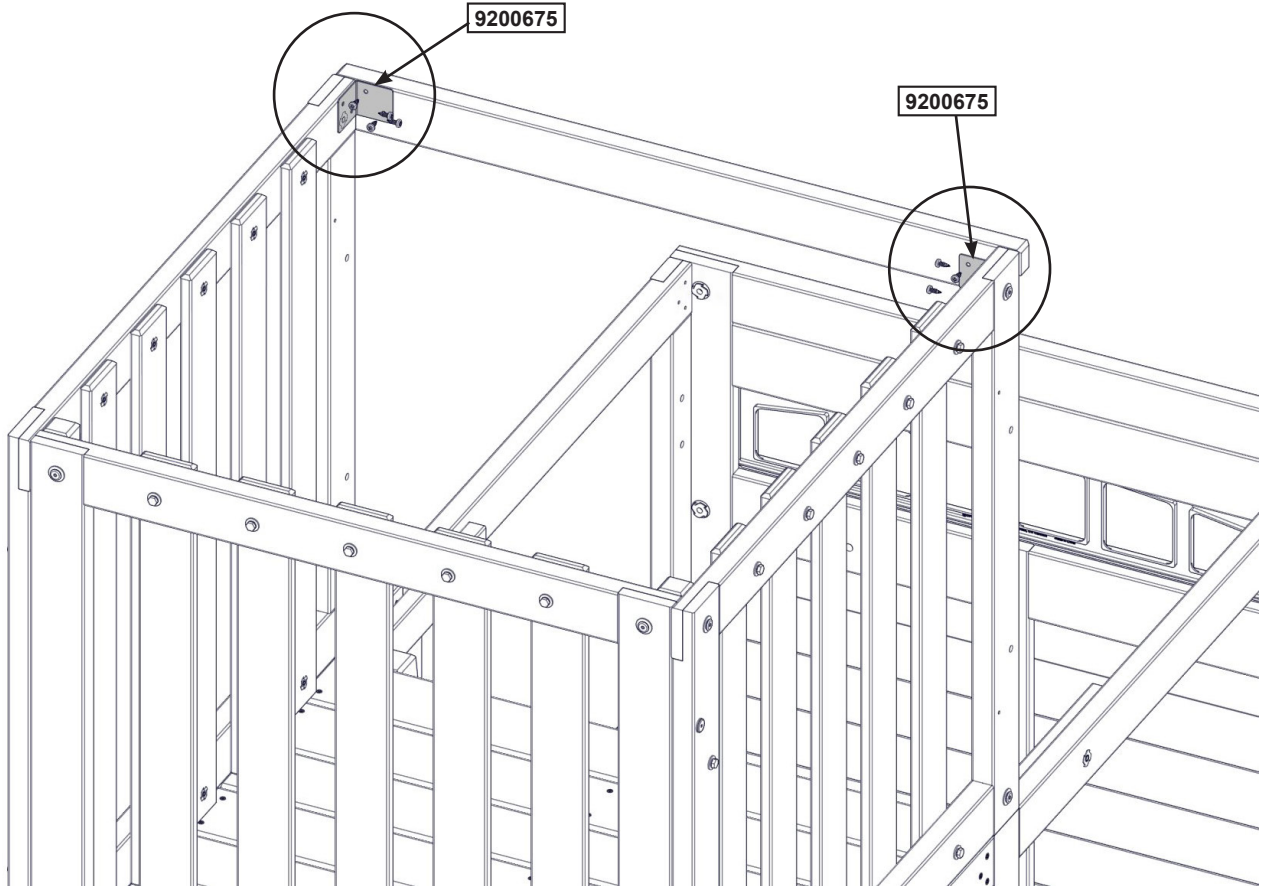
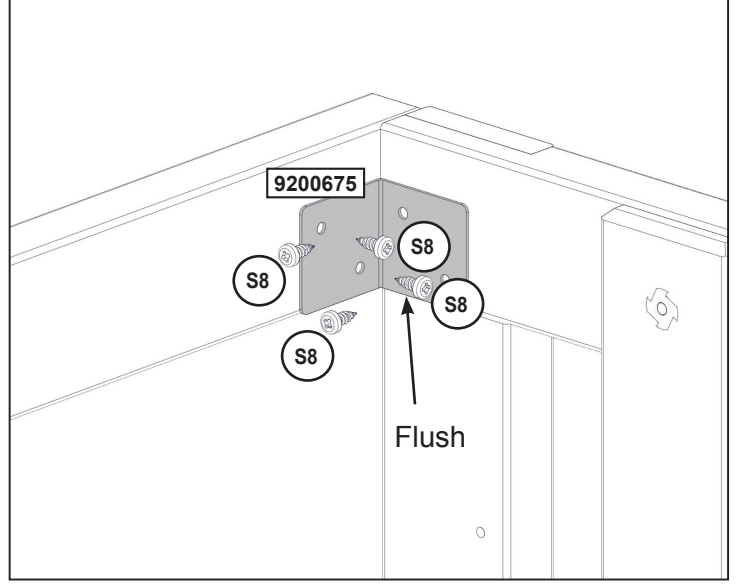
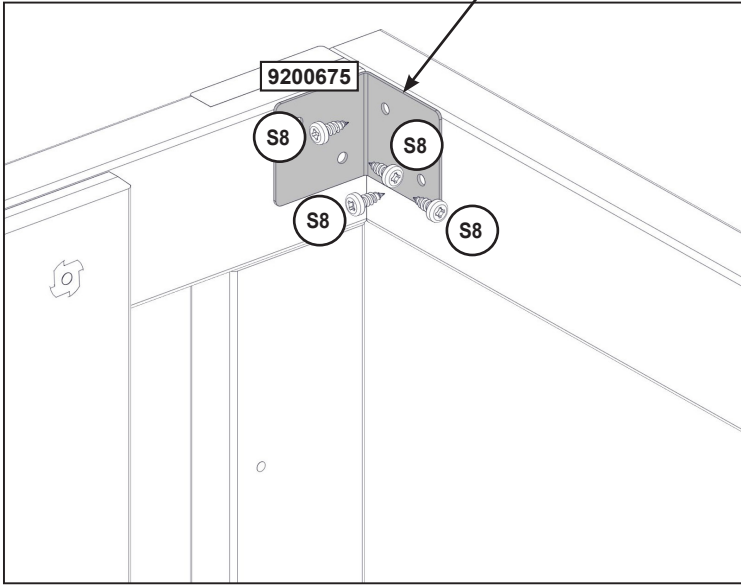
**Hardware**

2 x S4 #8 x 76.2mm (#8 x 3 in)





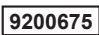
Flush



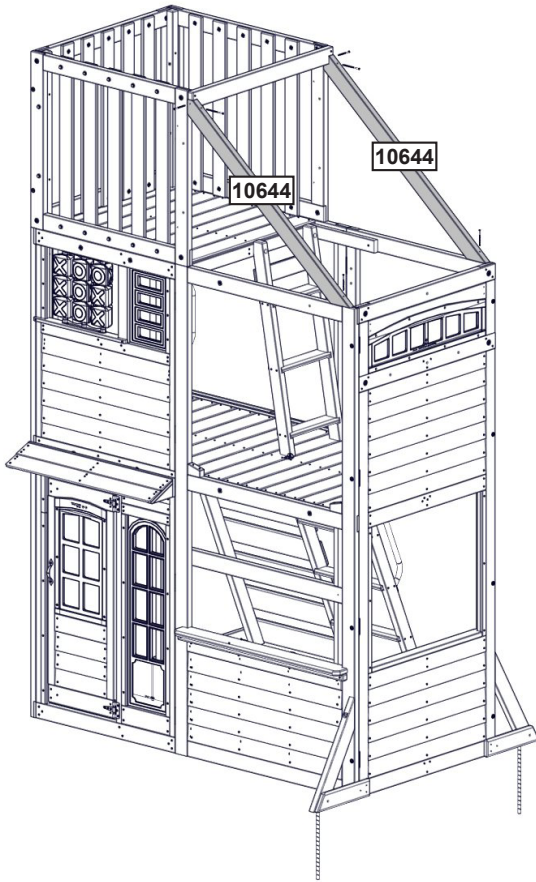
**Hardware**

8 x  #12 x 19mm (#12 x 3/4 in)

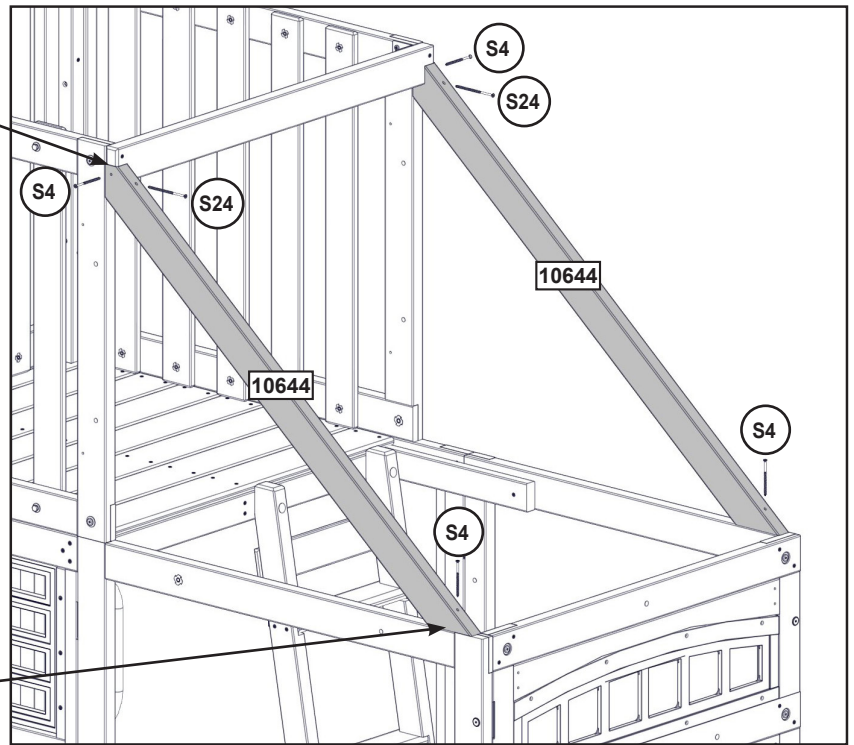
**Other Parts**

2 x 





Flush



Flush

**Wood Parts**

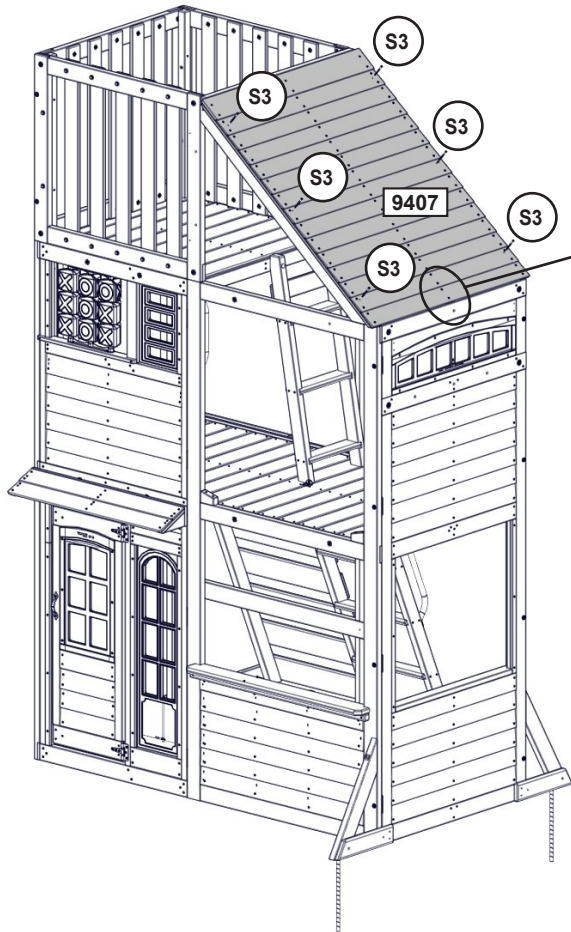
2 x 10644 31.8 x 76.2 x 1270 mm (1 1/4 x 3 x 50 in)

**Hardware**

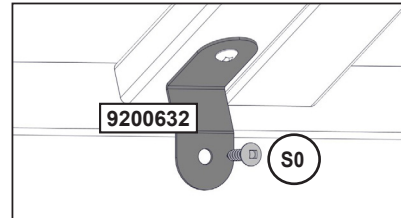
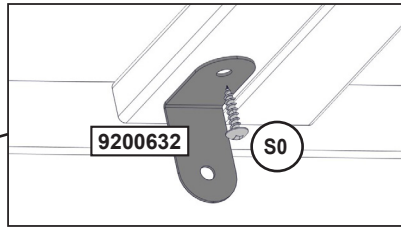
4 x S4 #8 x 76.2mm (#8 x 3 in)

2 x S24 #10 x 101.6mm (#10 x 4 in)

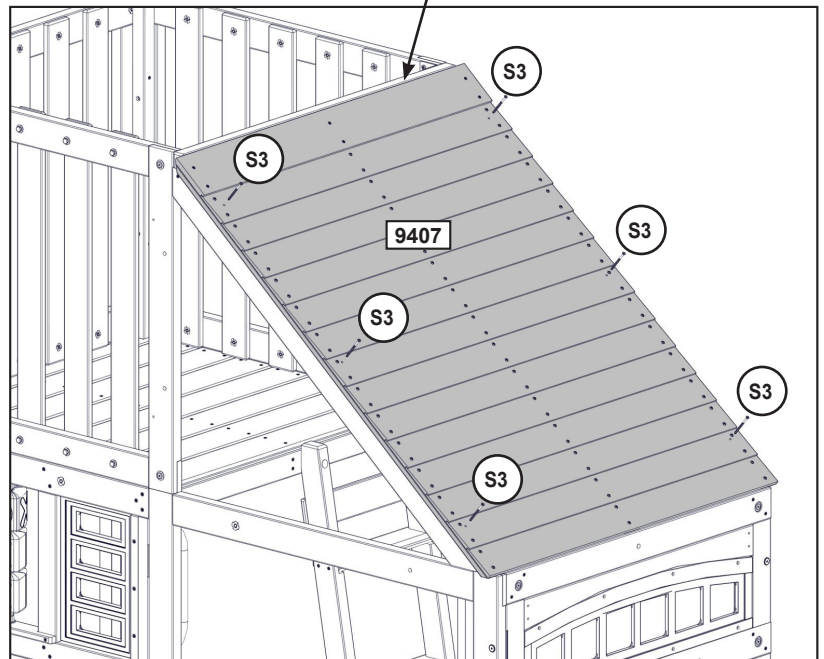
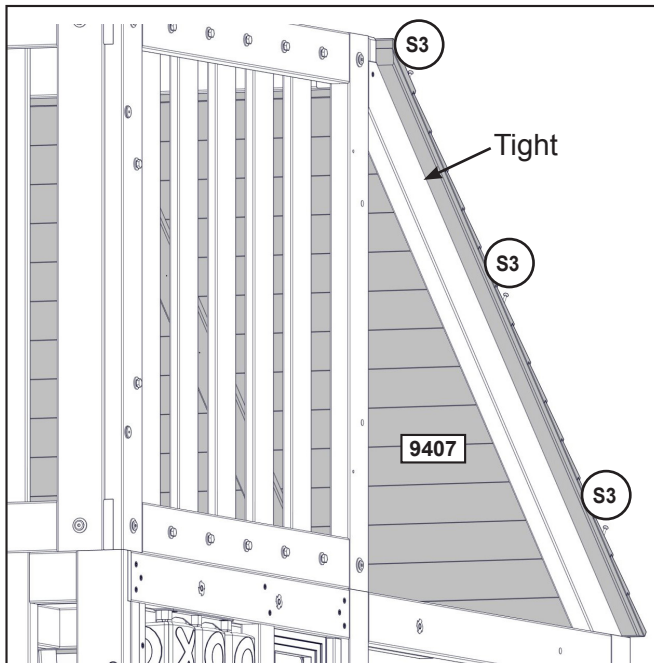




Inside View



Bend bracket to match roof angle.



Wood Parts

1 x 9407 28.6 x 1284.3 x 1022.4 mm ( 1 1/8 x 50 9/16 x 40 1/4 in)

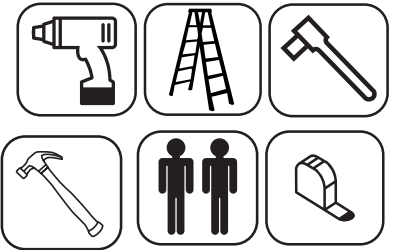
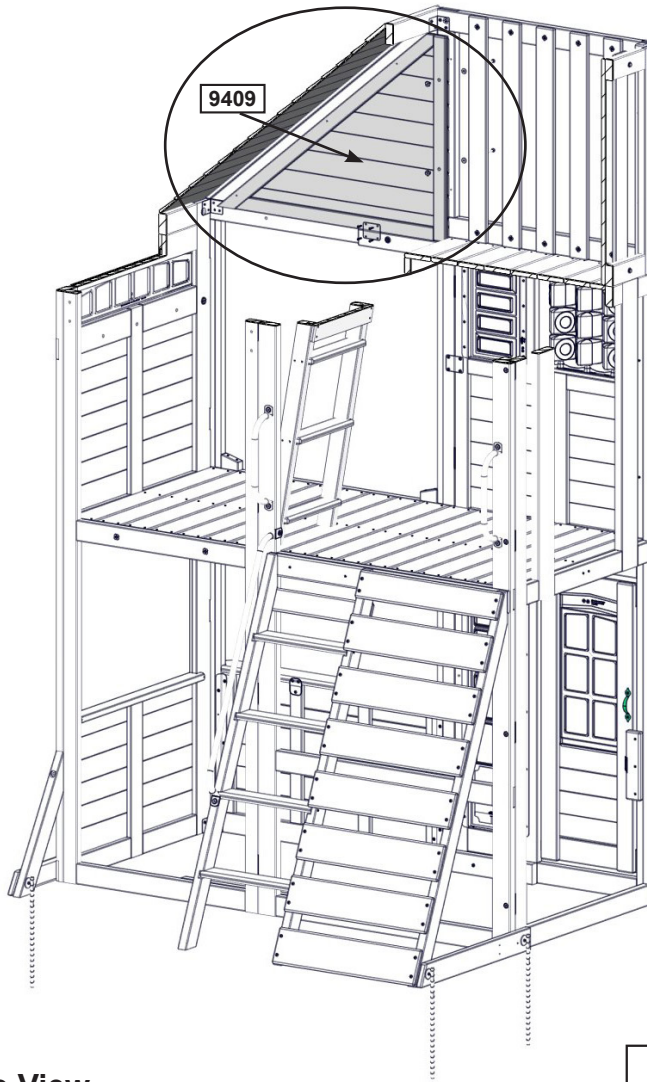
Hardware

6 x S3 #8 x 63.5mm (#8 x 2-1/2 in)  
 2 x S0 #8 x 22.2mm (#8 x 7/8 in)

Other Parts

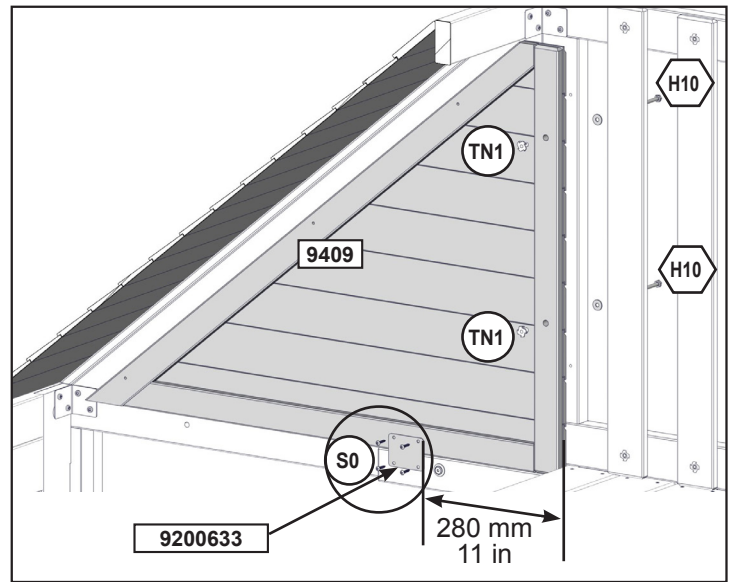
1 x 9200632

49

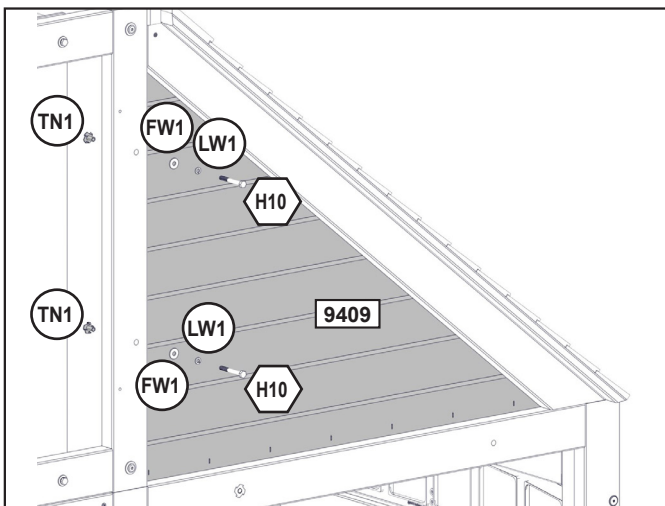


**Assemble T-Nuts first with hammer!**

**Inside View**



**Outside View**



**Wood Parts**

1 x 9409 25.4 x 762 x 990.6 mm (1 X 30 X 39 in)

**Hardware**

4 x S0 #8 x 63.5mm (#8 x 2-1/2 in)

2 x H10 6.4mm x 57.2mm (1/4 x 2-1/4 in)(FW1, LW1, TN1)

**Other Parts**

1 x 9200633

europecustomerservice@kidkraft.com  
 +31 20 305 8620  
 M-F from 09:00 to 17:30 (GMT+1)

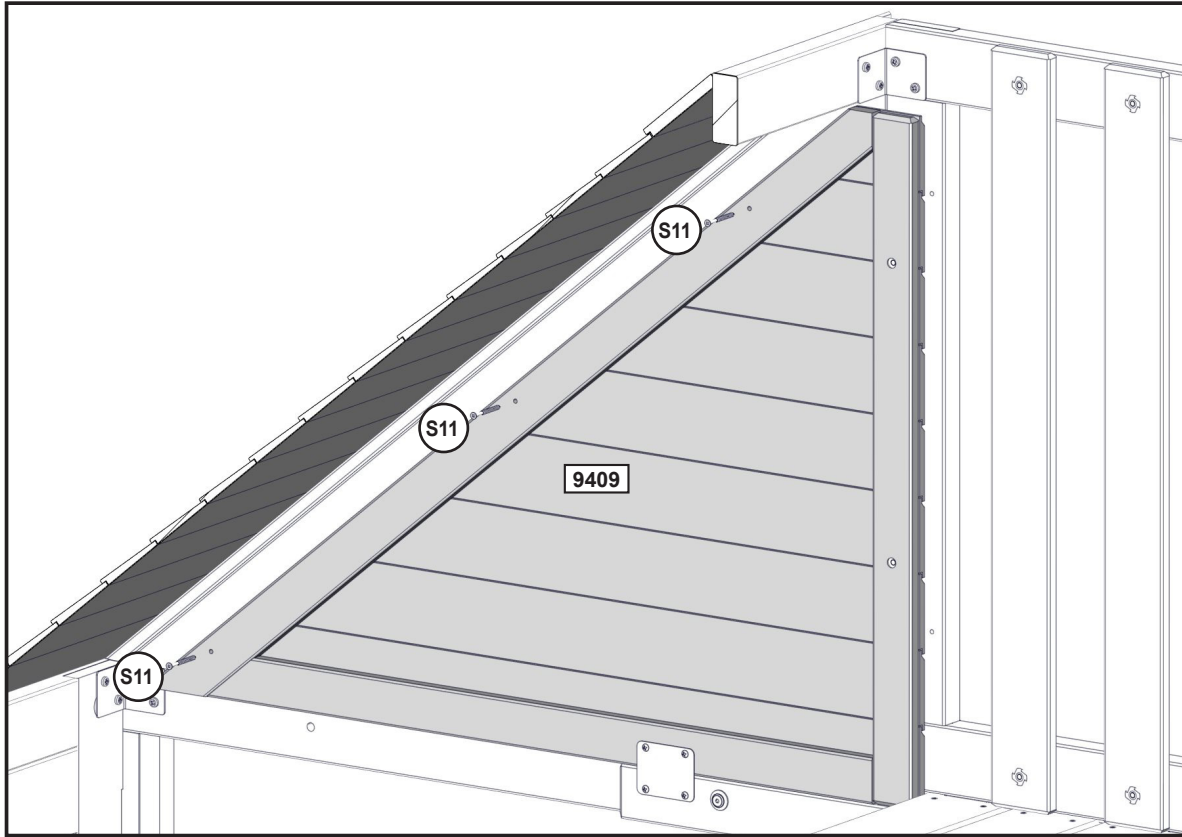
parts.kidkraft.eu





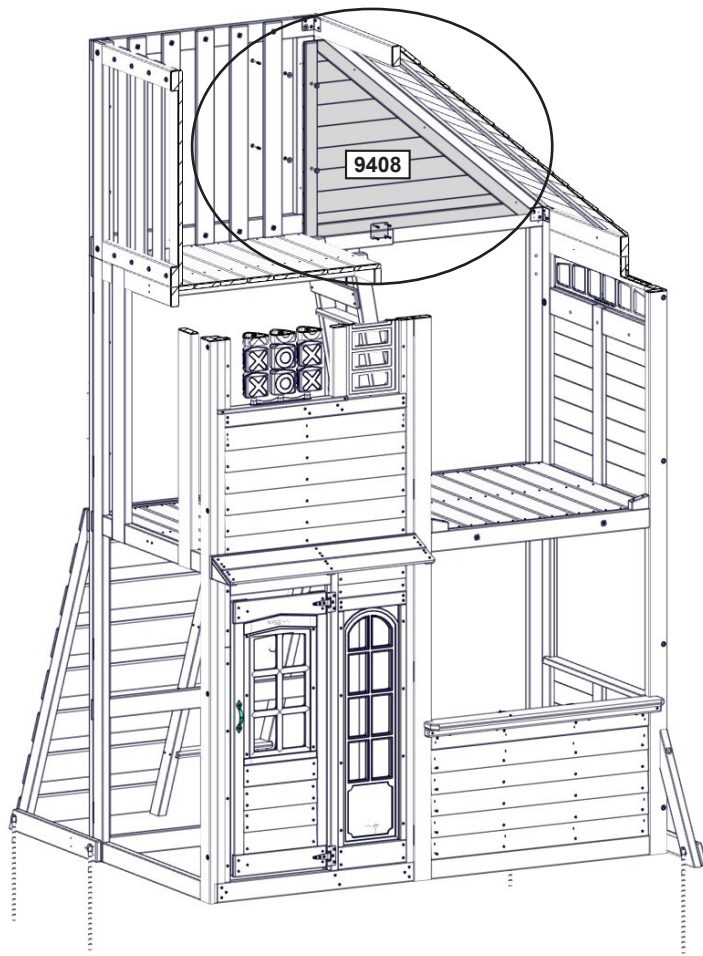
**Note: Structure partly removed for clarity.**

**Inside View**



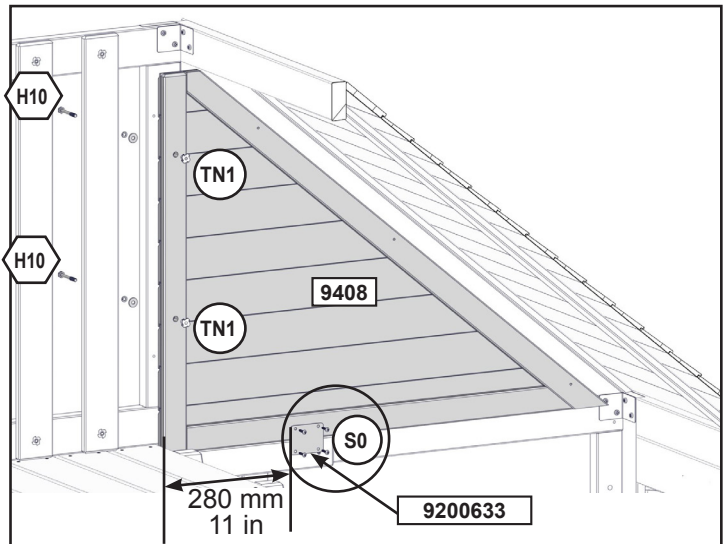
**Hardware**

3 x (S11) #8 x 50.8mm (#8 x 2 in)

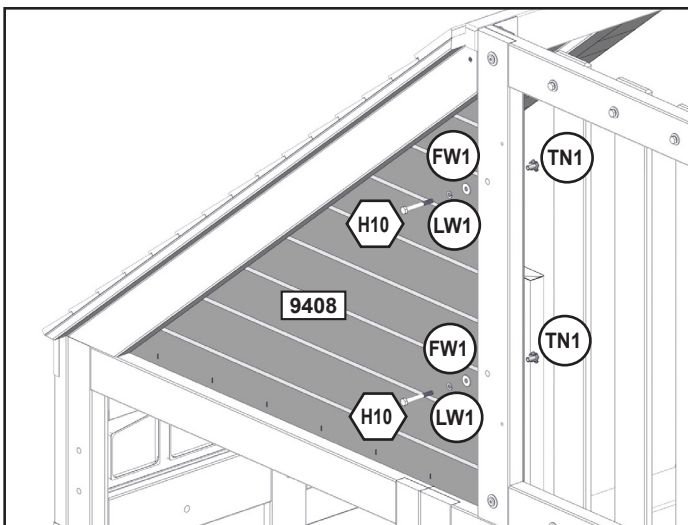


Assemble T-Nuts first with hammer!

Inside View



Outside View



Wood Parts

1 x 9408 25.4 x 762 x 990.6 mm (1 X 30 X 39 in)

Hardware

4 x S0 #8 x 63.5mm (#8 x 2-1/2 in)

2 x H10 6.4mm x 57.2mm (1/4 x 2-1/4 in)(FW1, LW1, TN1)

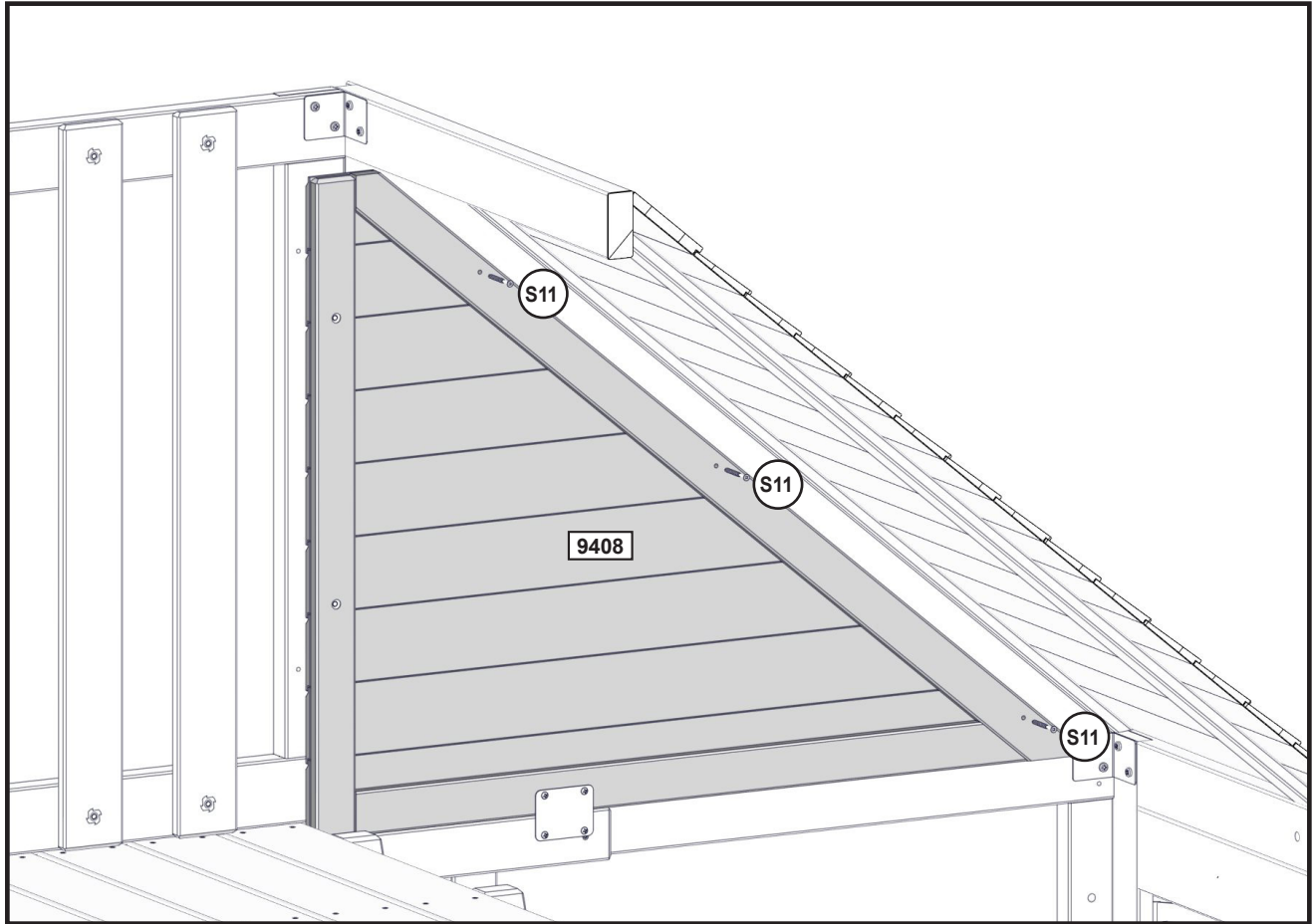
Other Parts

1 x 9200633





Inside View

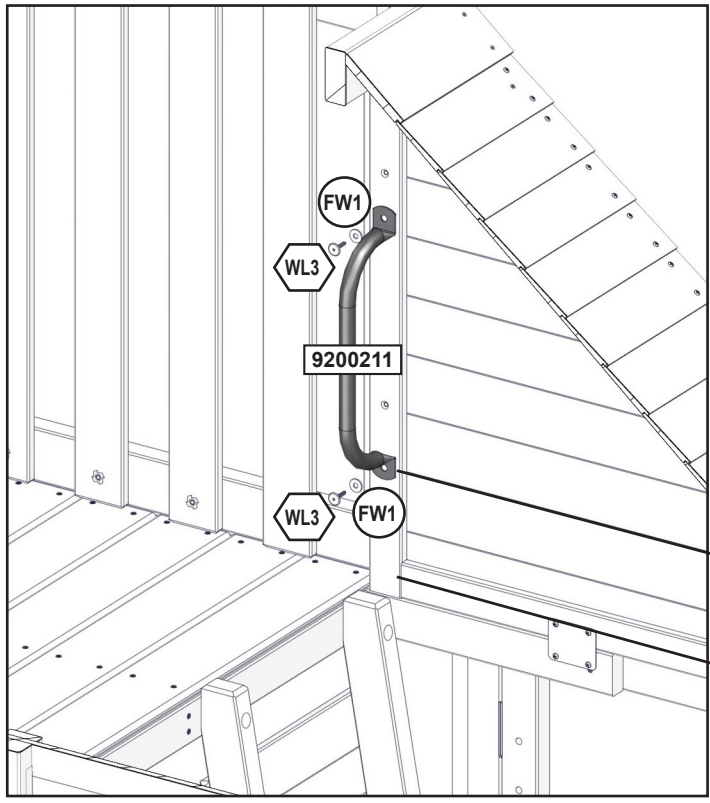
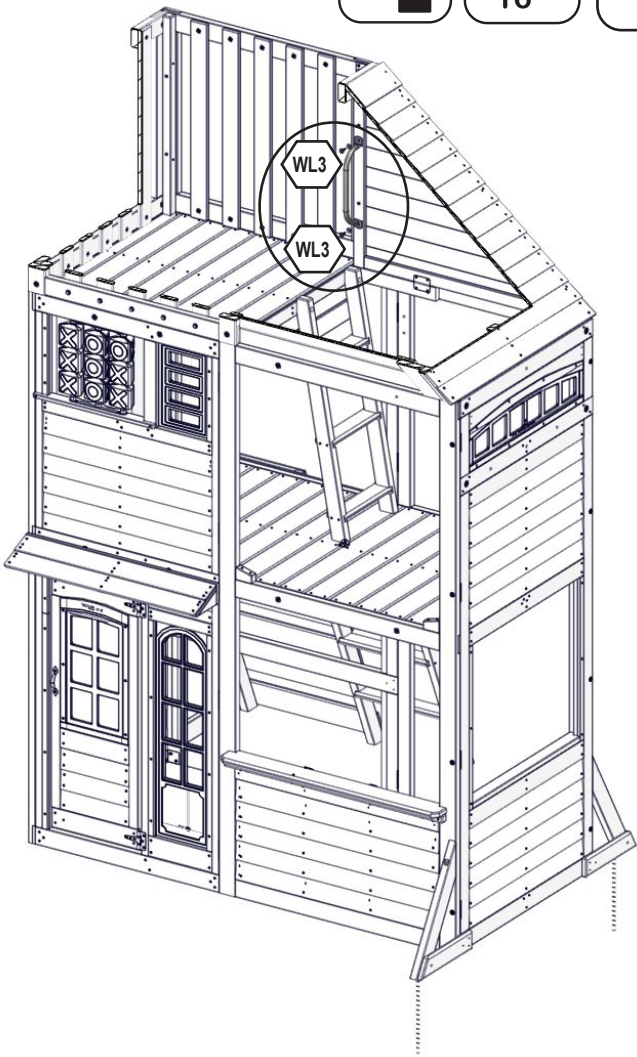


Hardware

3 x (S11) #8 x 50.8mm (#8 x 2 in)



Pre-drill holes using a 3/16 in drill bit.

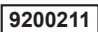


152.4mm  
6 in

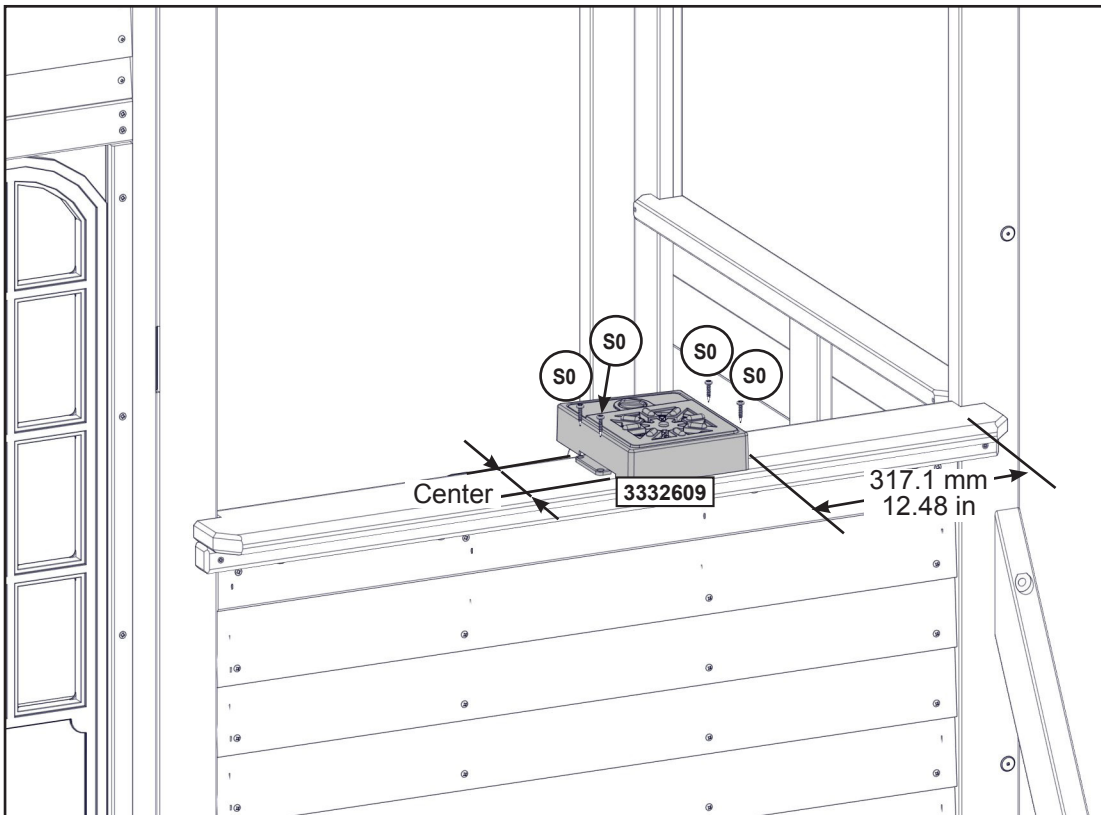
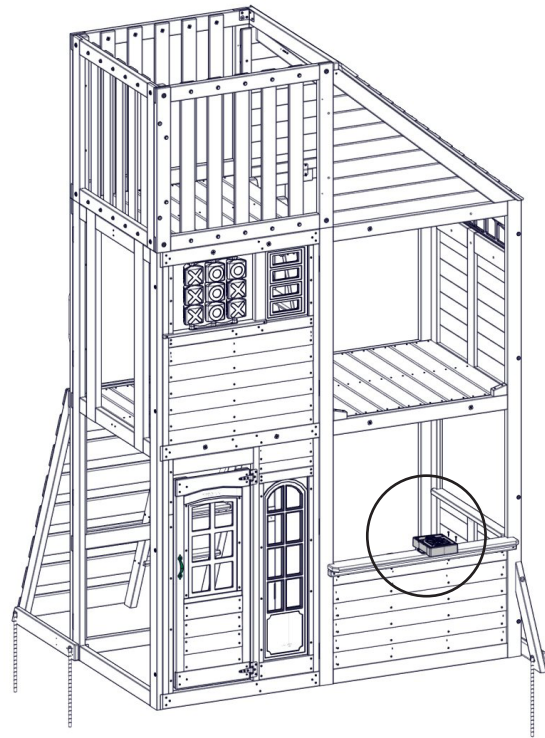
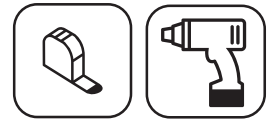
**Hardware**

- 2 x  6.4mm x 34.9mm (1/4 x 1-3/8 in)
- 2 x 

**Other Parts**

- 1 x 

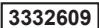




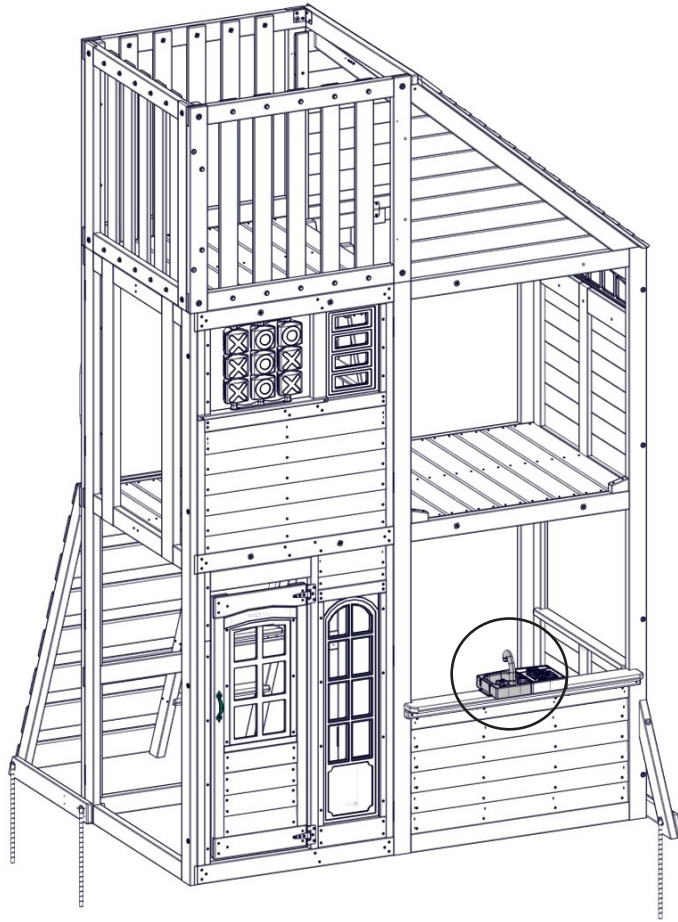
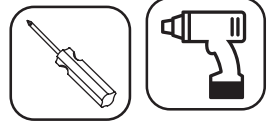
**Hardware**

4 x  #8 x 22.2mm (#8 x 7/8 in)

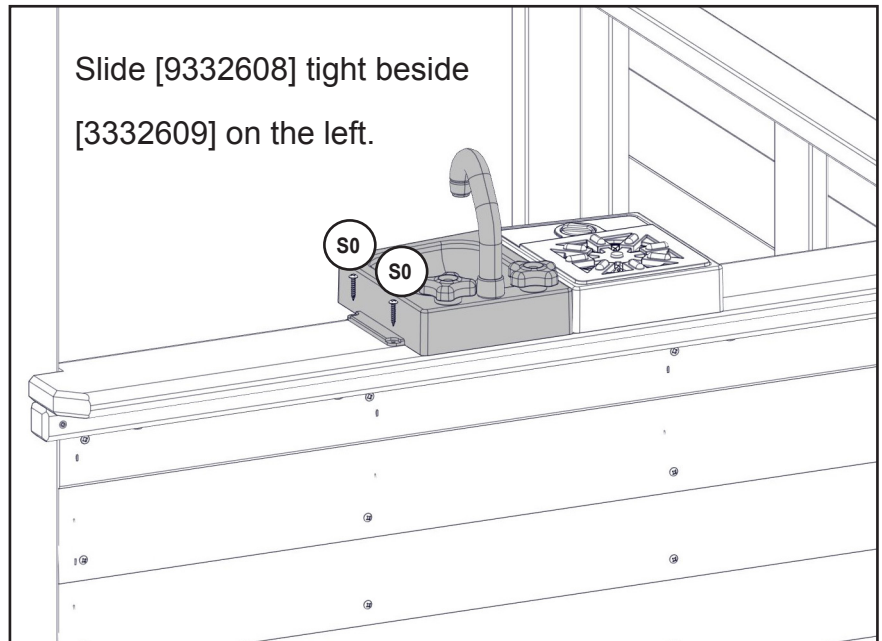
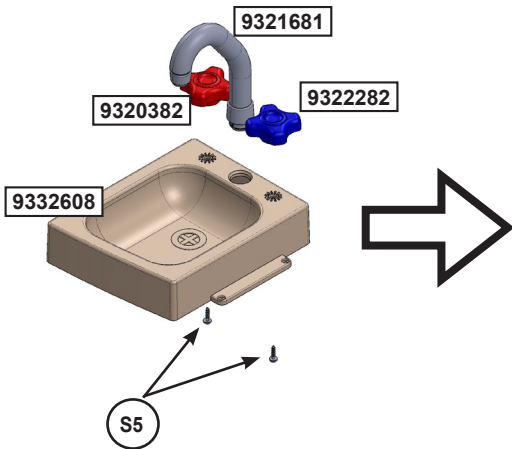
**Other Parts**

1 x 





Slide [9332608] tight beside [3332609] on the left.



**Hardware**

- 2 x S0 #8 x 22.2mm (#8 x 7/8 in)
- 2 x S5 #8 x 12.7mm(#8 x 1/2 in)

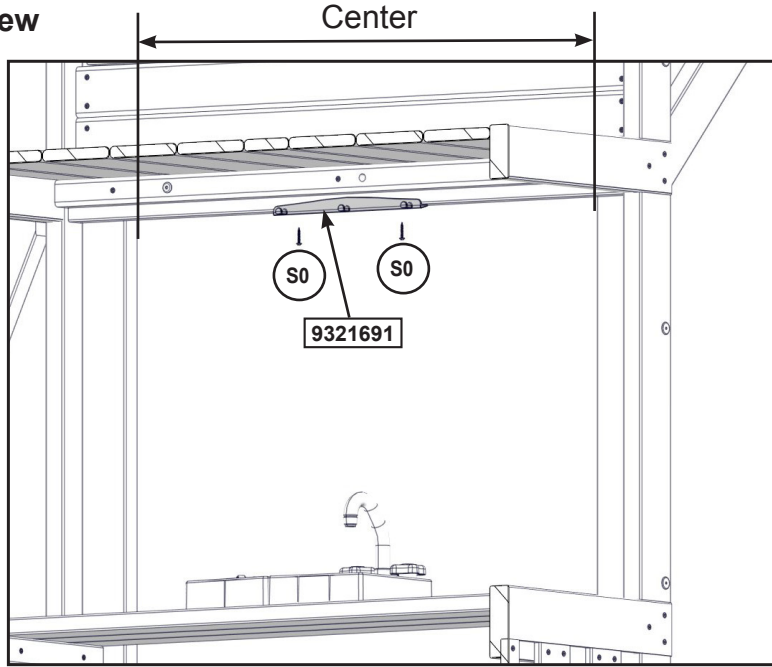
**Other Parts**

- 1 x 9321681      1 x 9322282
- 1 x 9332608      1 x 9320382

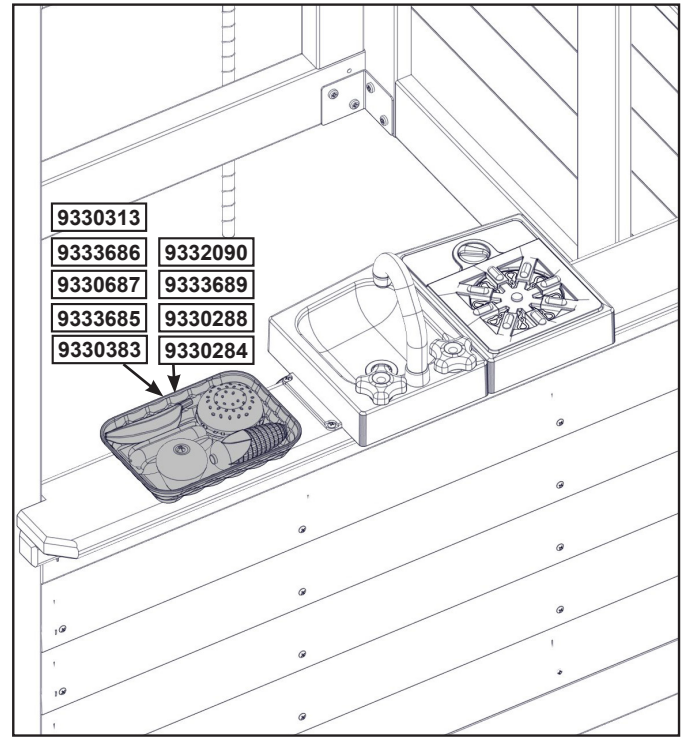
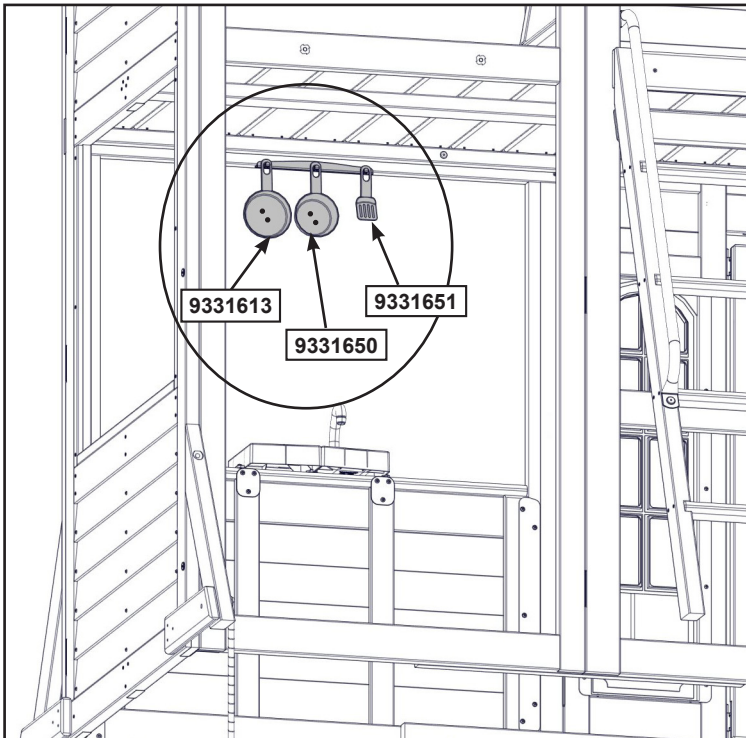




Inside View



Inside View



**Hardware**

2 x #8 x 22.2mm (#8 x 7/8 in)

1 x

1 x

1 x

1 x

1 x

1 x

1 x

1 x

1 x

1 x

1 x

1 x

1 x

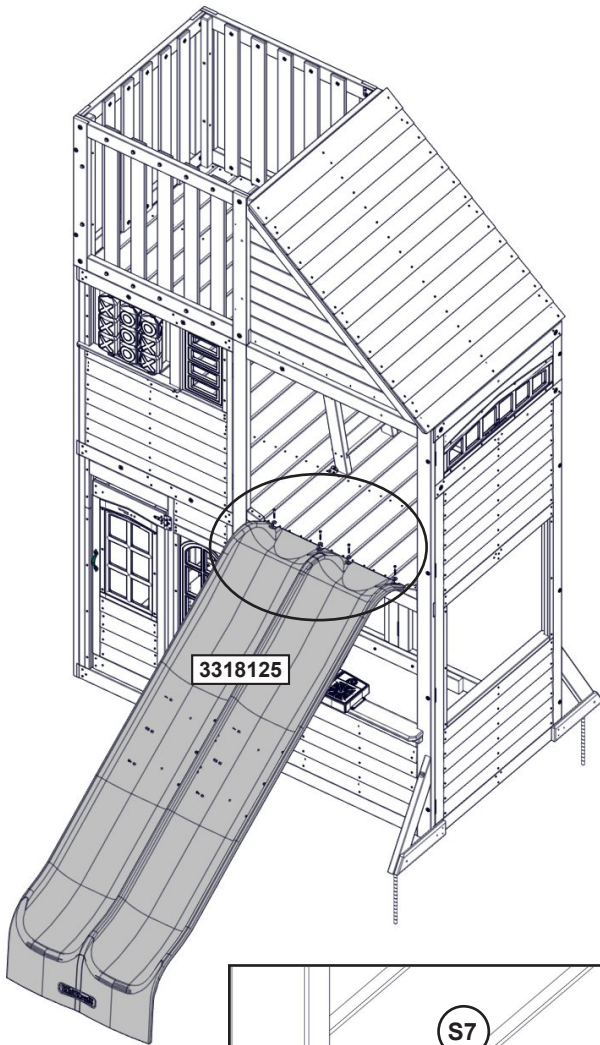
**Other Parts**



parts.kidkraft.com

customerservice@kidkraft.com  
1.800.933.0771  
972.385.0100

57




Note: Pre-drill all holes using a 1/8 in drill bit before installing the pan screws.

Place Slide centered in the opening.

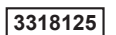


**Hardware**

4 x  #12 x 2 in (50.8 mm)

4 x 

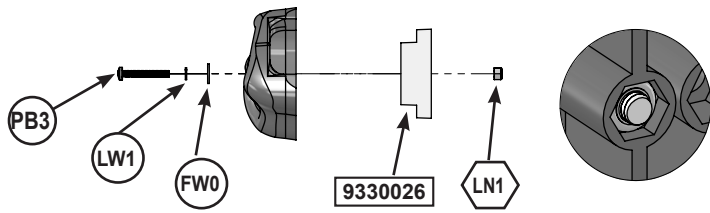
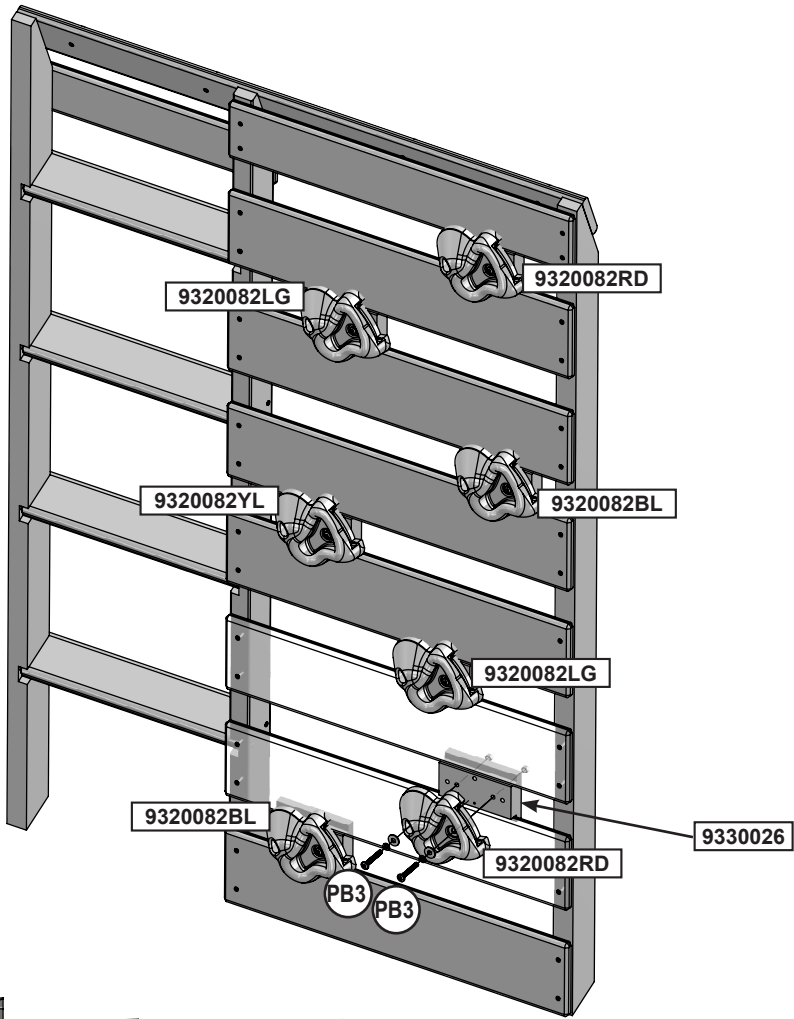
**Other Parts**

1 x 





Rock Wall Ladder assembled to the fort in a previous step.



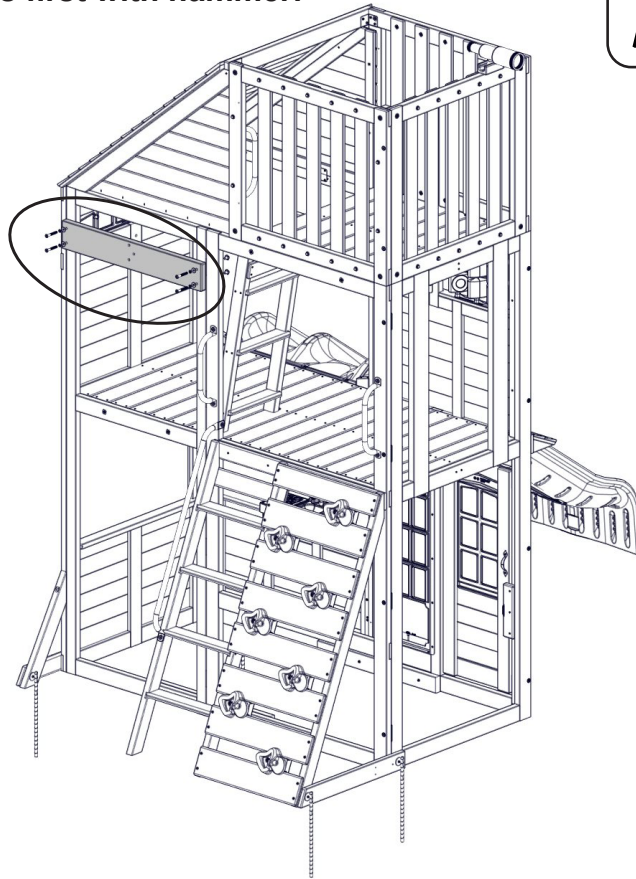
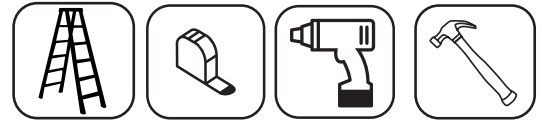
**Hardware**

14 x **PB3** 6.4mm x 44.5 mm (1/4 x 1-3/4 in) (FW0,LW1,LN1)

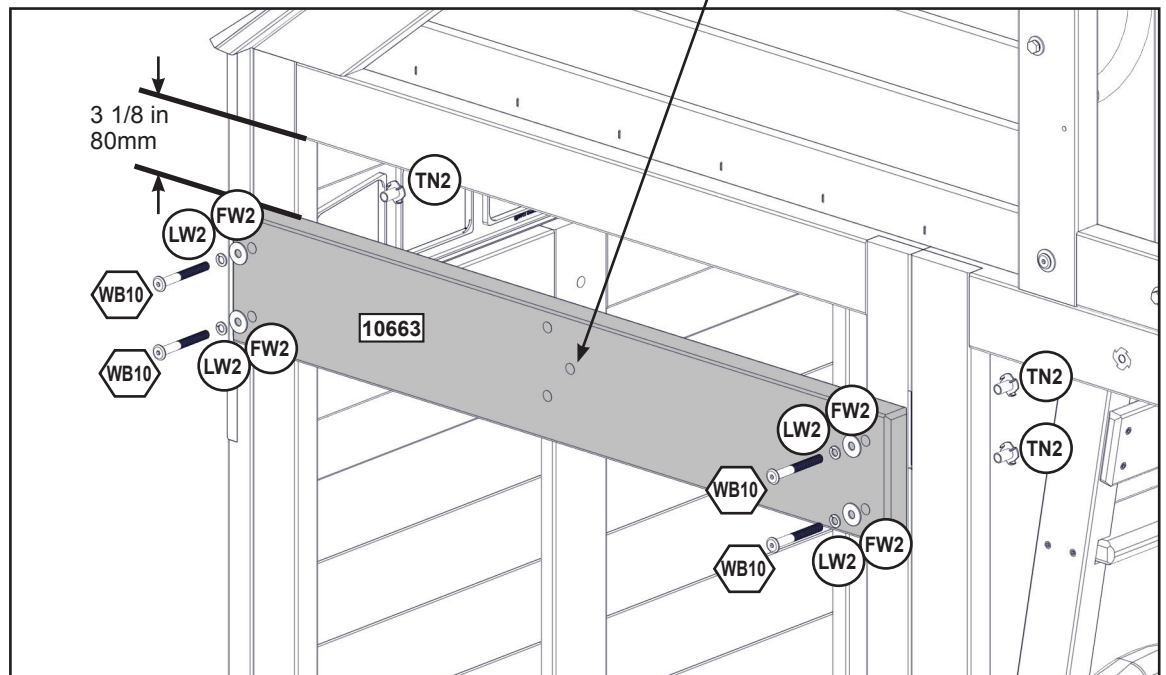
**Other Parts**

- |                      |                      |
|----------------------|----------------------|
| 2 x <b>9320082BL</b> | 2 x <b>9320082LG</b> |
| 2 x <b>9320082RD</b> | 1 x <b>9320082YL</b> |
| 7 x <b>9330026</b>   |                      |

Assemble T-Nuts first with hammer!



Note hole orientation



**Wood Parts**

1 x 10663 31.8 x 133.4 x 846.3 mm (1 1/4 x 5 1/4 x 33 5/16 in)

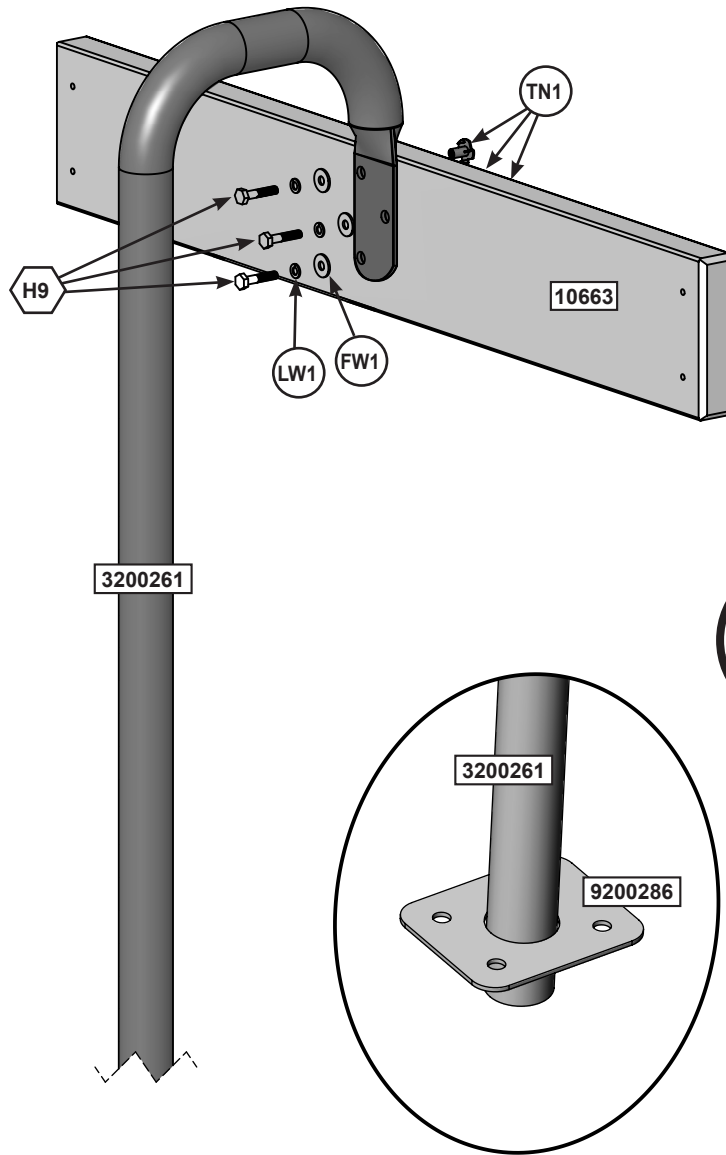
**Hardware**

4 x WB10 7.9mm x 66.6 mm (5/16 x 2-5/8 in)(FW2, LW2, TN2)



60

Assemble T-Nuts first with hammer!

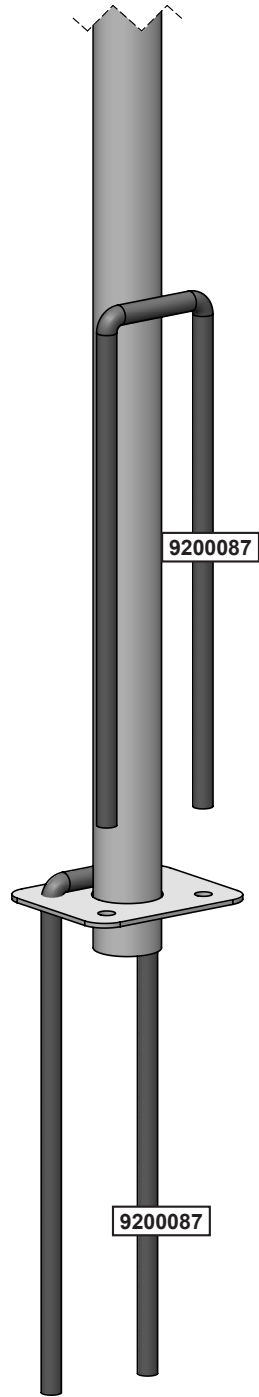


Make sure the Fireman Pole is straight and that the bottom of the pole is inserted into the ground as needed.



**Hardware**  
 3 x H9 6.4mm x 31.8mm (1/4 x 1-1/4 in)(FW1, LW1, TN1)

**Other Parts**  
 1 x 9200286  
 1 x 3200261

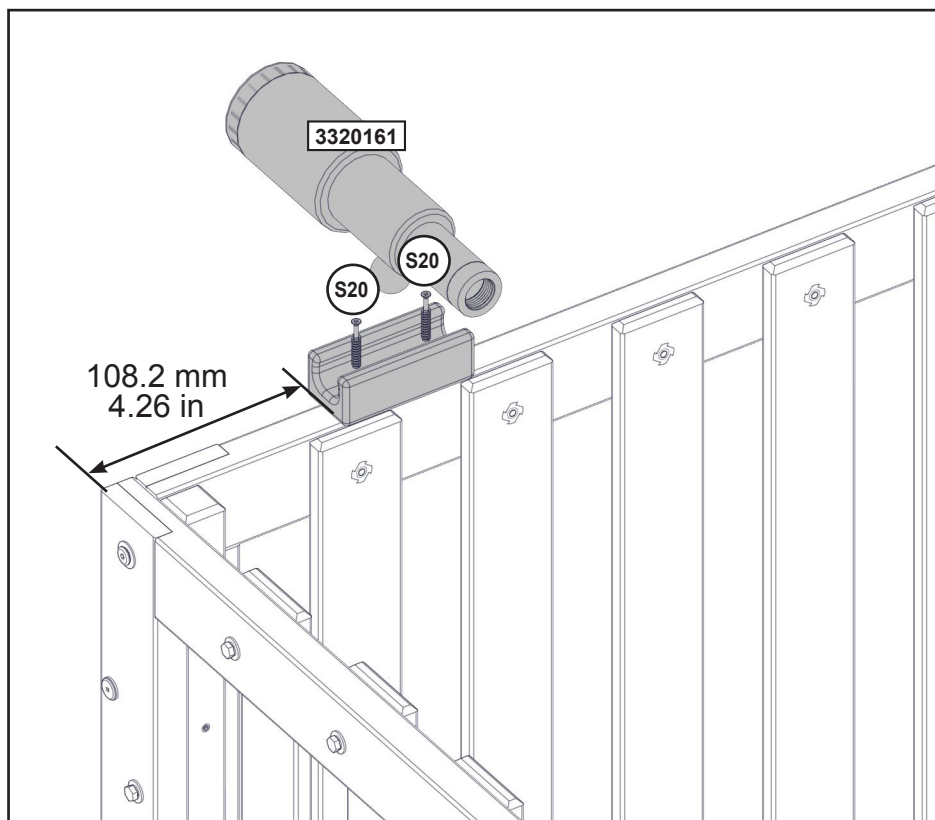
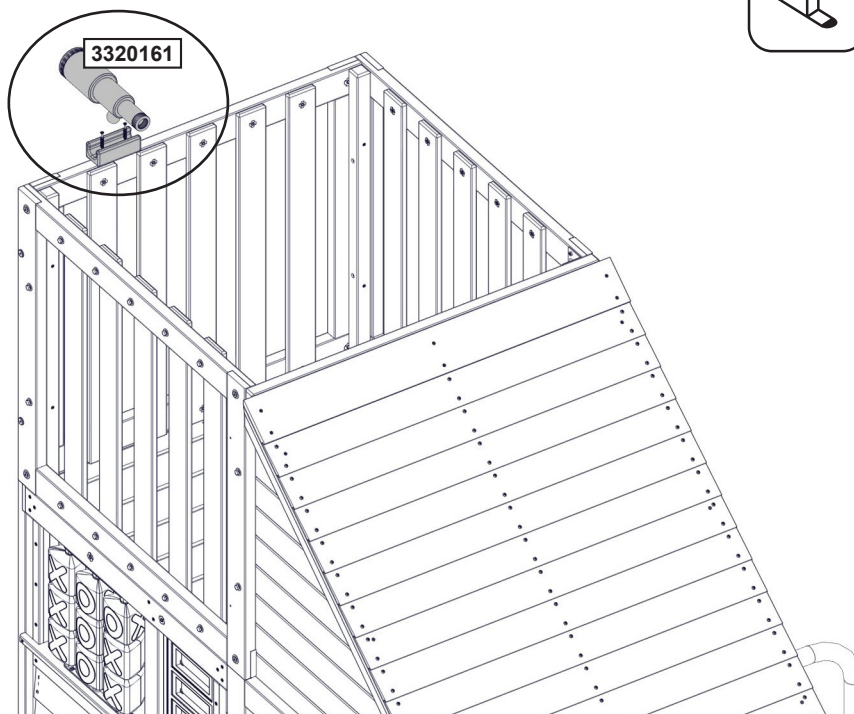


Hammer U-Style Ground Stakes into the holes in the plate until they are fully anchored into the ground.

**Other Parts**

2 x **9200087**





**Hardware**

2 x  #8 x 34.9mm (#8 x 1-3/8 in)

**Other Parts**

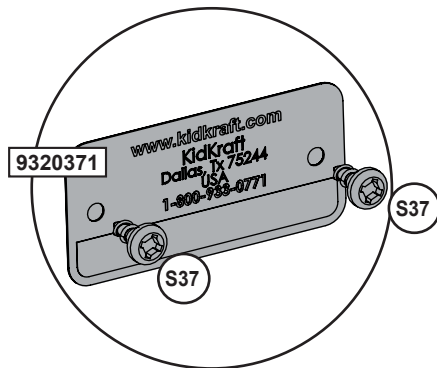
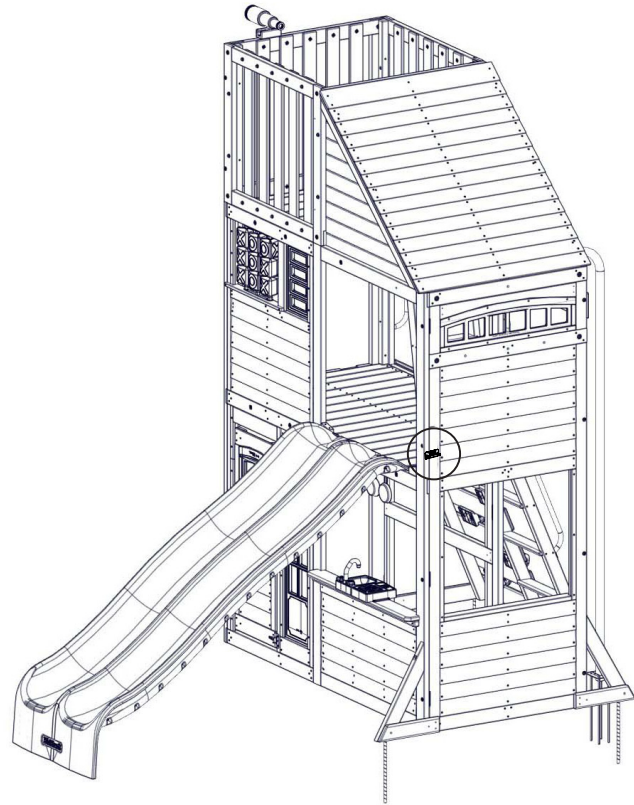
1 x 





**ATTACH THIS I.D. PLAQUE TO THIS LOCATION ON YOUR PLAY EQUIPMENT!**

A Tracking Number is provided to allow you to get critical information or order replacement parts for this specific model.



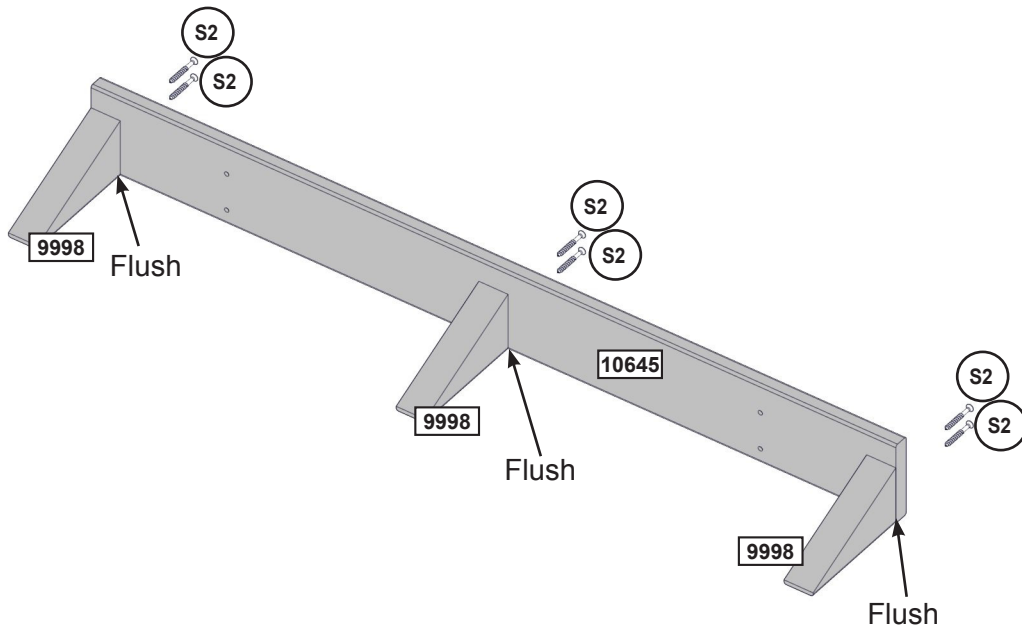
**Hardware**

2 x **S37** #7 x 15.87mm (#7 x 5/8 in)

**Other Parts**

1 x **9320371**



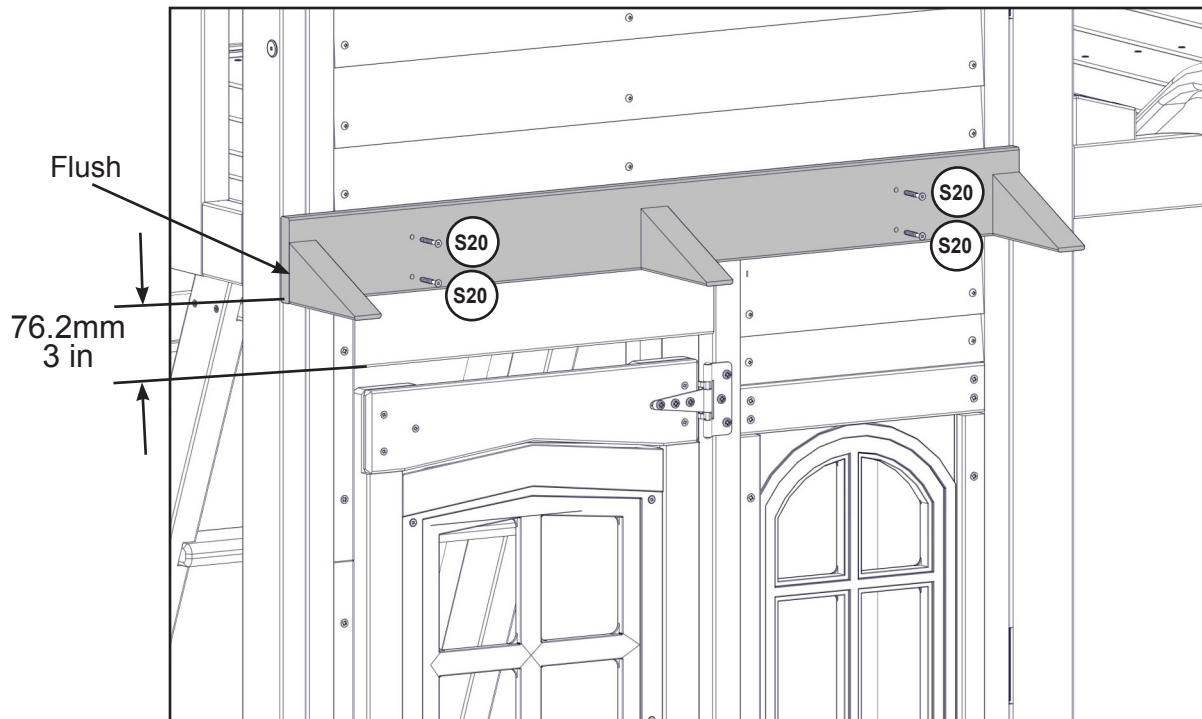
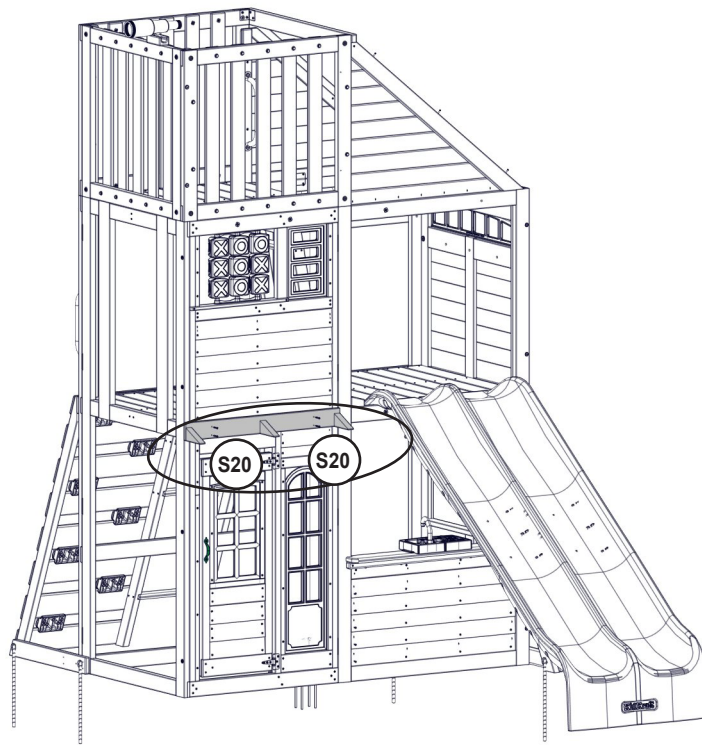


**Wood Parts**

- 1 x **10645** 15.9 x 88.9 x 878 mm ("5/8 x 3 1/2 x 34 9/16 in)
- 3 x **9998** 31.8 x 63.5 x 127 mm (1 1/4 x 2 1/2 x 5 in)

**Hardware**

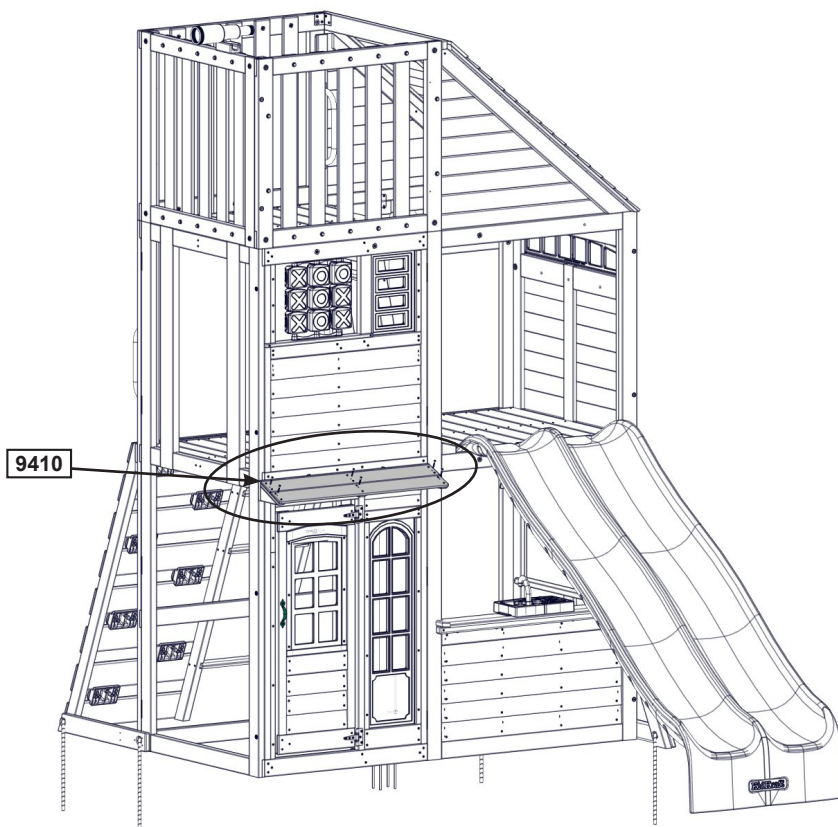
- 6 x **S2** #8 x 38.1mm (#8 x 1-1/2 in)



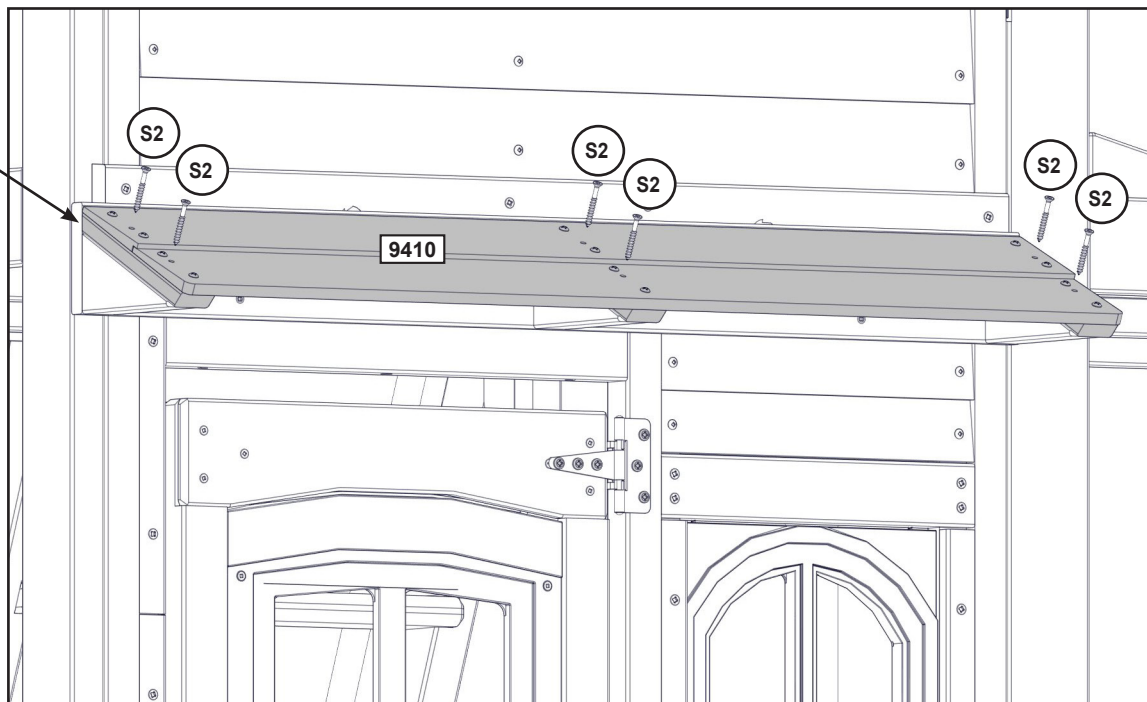
**Hardware**

4 x  #8 x 34.9mm (#8 x 1-3/8 in)





Flush



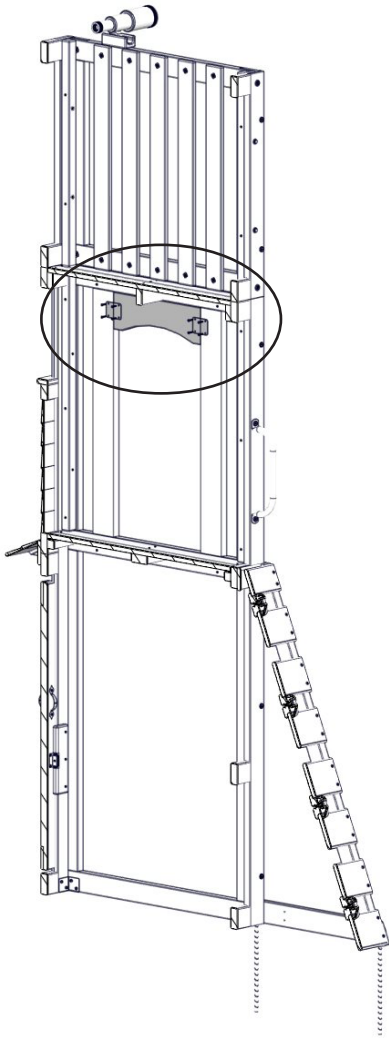
**Wood Parts**

1 x 9410 25.4 x 173 x 877.9 mm (1 x 6 13/16 x 34 9/16 in)

**Hardware**

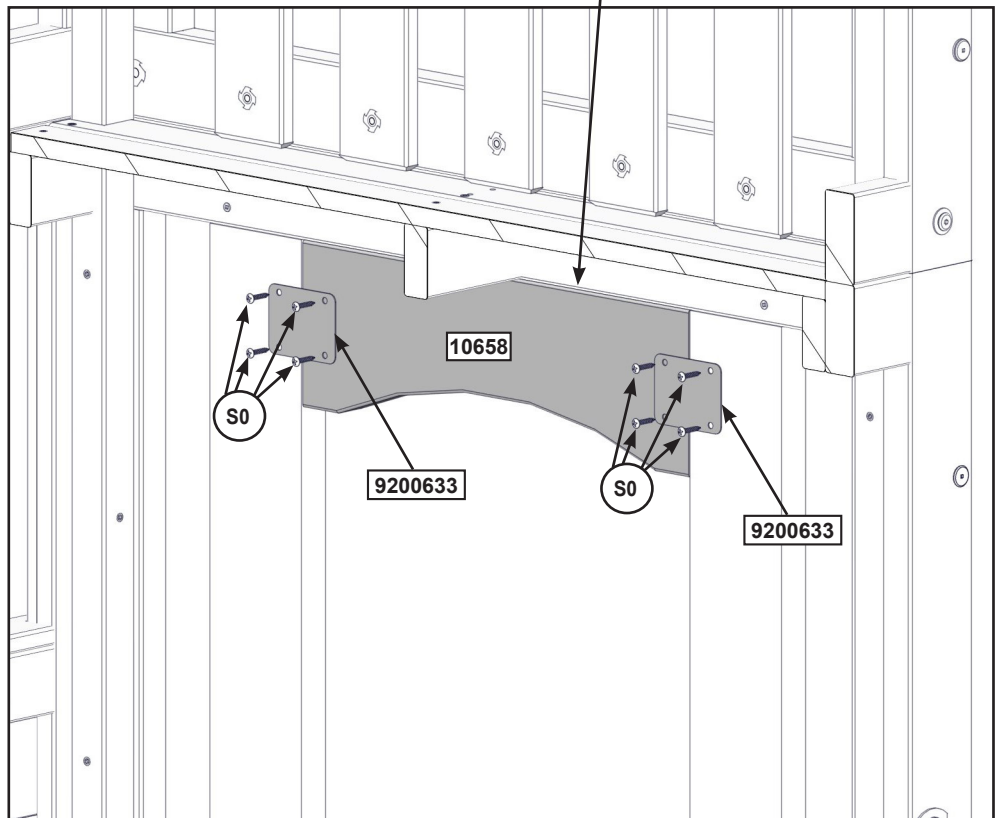
6 x S2 #8 x 38.1mm (#8 x 1-1/2 in)

67



Inside View

Tight



**Wood Parts**

1 x 10658 31.8 x 139.6 x 428.6 mm (1 1/4 x 5 1/2 x 16 7/8 in)

**Hardware**

8 x S0 #8 x 22.2mm (#8 x 7/8 in)

**Other Parts**

2 x 9200633

europecustomerservice@kidkraft.com  
+31 20 305 8620  
M-F from 09:00 to 17:30 (GMT+1)

parts.kidkraft.eu



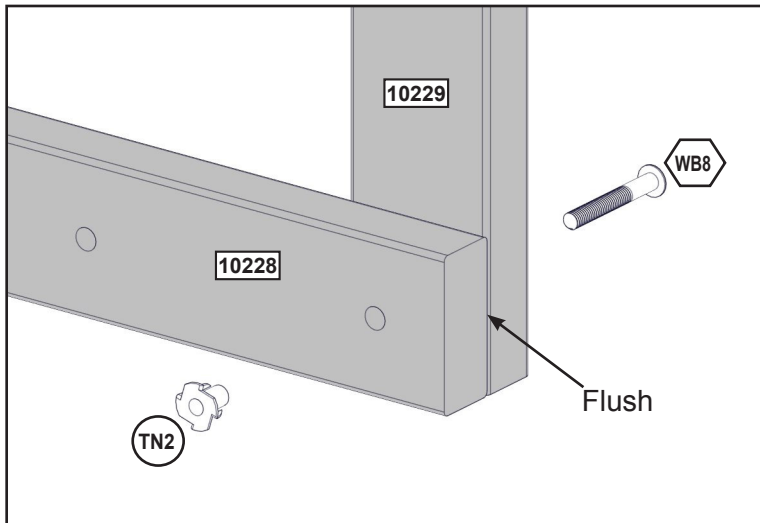
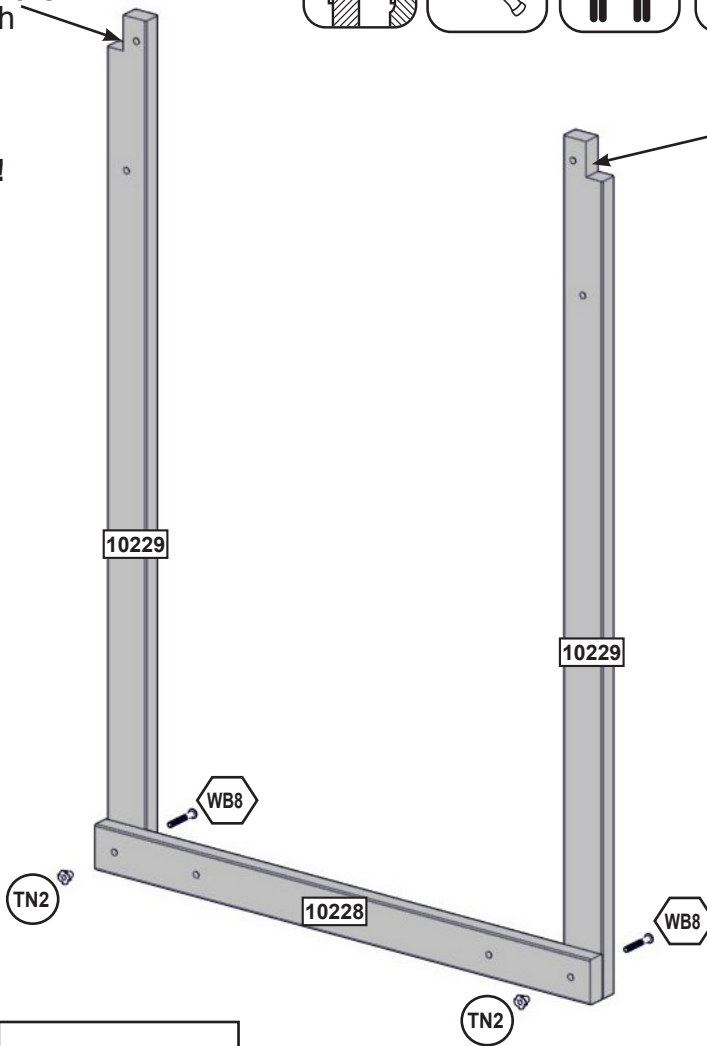
# 68 Tube Slide Fort



Assemble T-Nuts first with hammer!

Note the notch

Note the notch



### Wood Parts

- 1 x 10228 31.8 x 76.2 x 965.1 mm (1 1/4 x 3 x 38 in)
- 2 x 10229 31.8 x 76.2 x 1435.1 mm (1 1/4 x 3 x 56 1/2 in)

### Hardware

- 2 x WB8 7.9mm x 60.3 mm (5/16 x 2-3/8 in)(TN2)

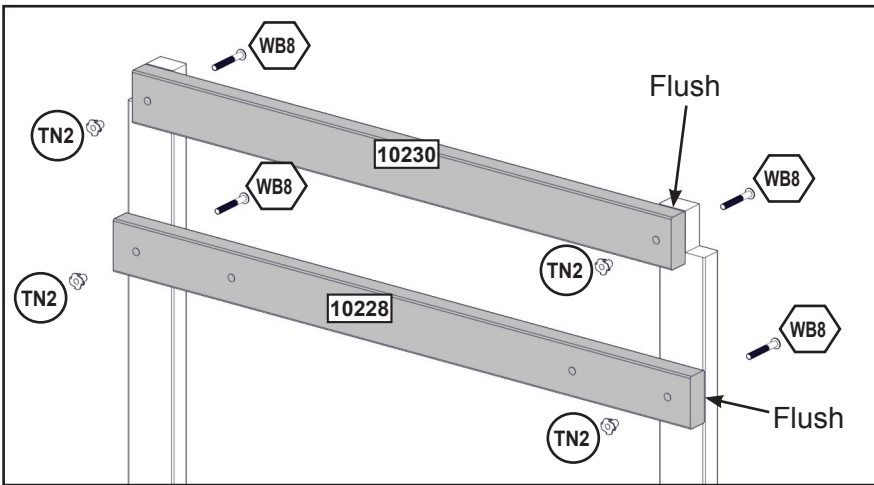
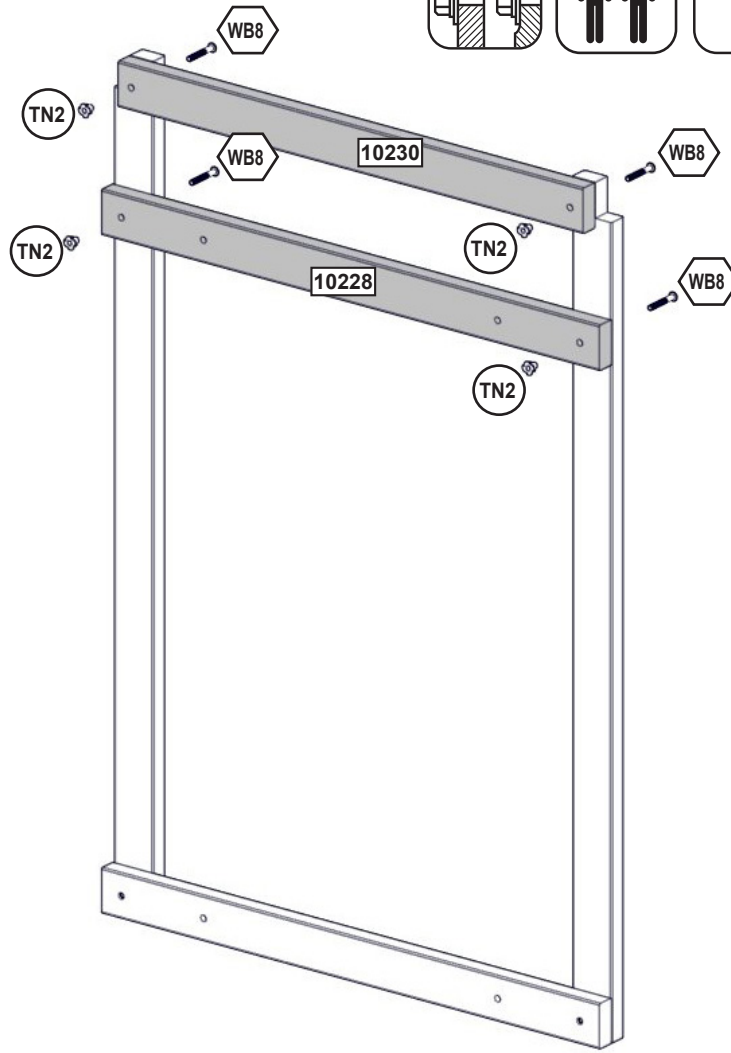


parts.kidkraft.com

customerservice@kidkraft.com  
1.800.933.0771  
972.385.0100



**Assemble T-Nuts first with hammer!**



**Wood Parts**

- 1 x 10228 31.8 x 76.2 x 965.1 mm (1 1/4 x 3 x 38 in)
- 1 x 10230 31.8 x 76.2 x 901.5 mm (1 1/4 x 3 x 35 1/2 in)

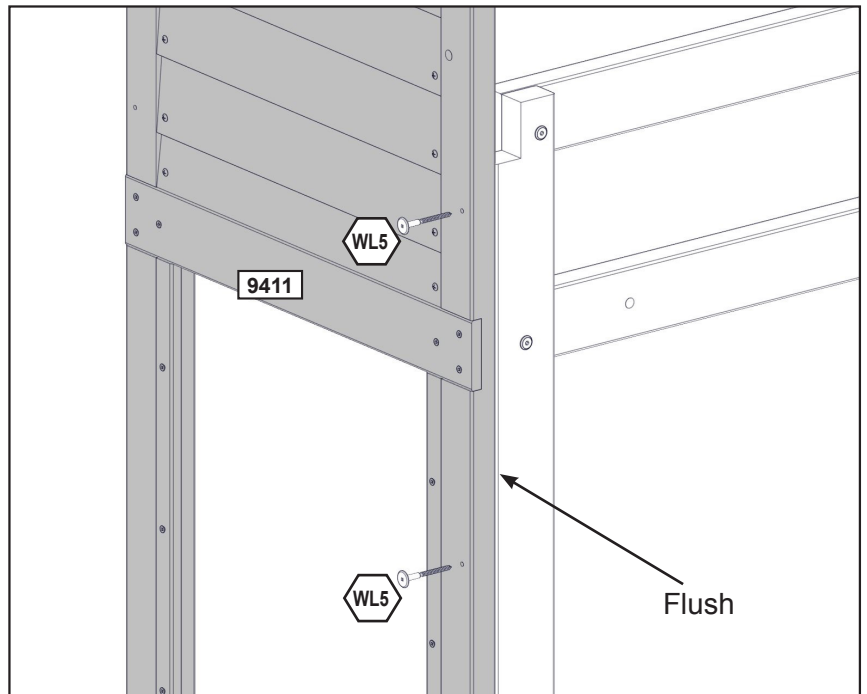
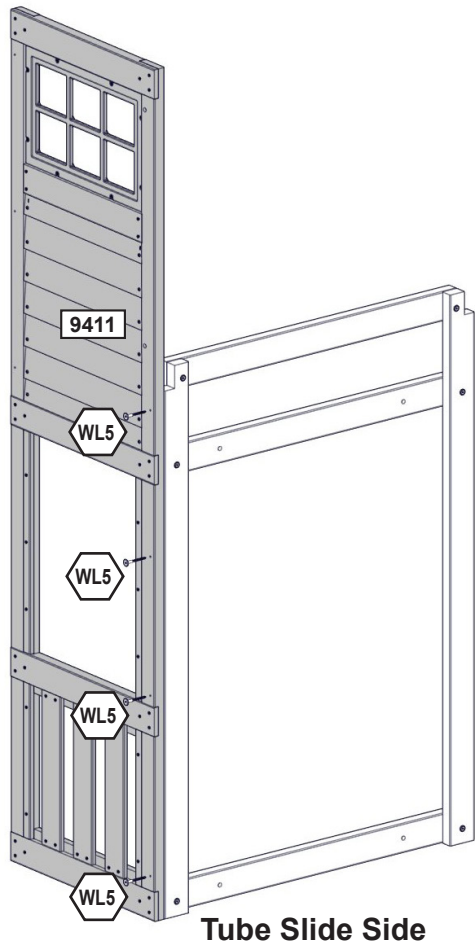
**Hardware**

- 4 x WB8 7.9mm x 60.3 mm (5/16 x 2-3/8 in)(TN2)





Pre-drill holes using a 3/16 in drill bit.



**Wood Parts**

1 x 9411 31.8 x 575.6 x 2217.7mm (1 1/4 x 22 11/16 x 87 5/16 in)

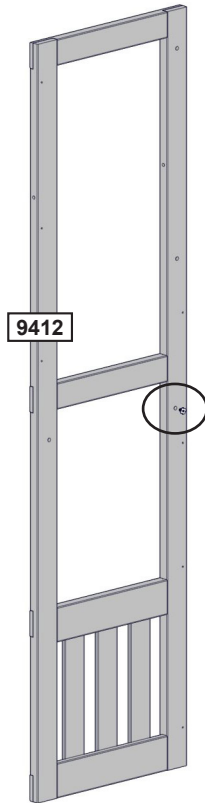
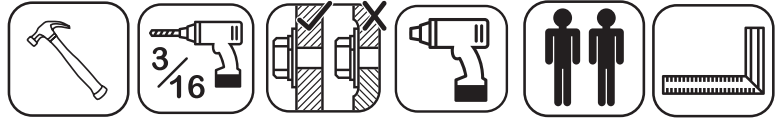
**Hardware**

4 x WL5 6.4mm x 63.5 mm (1/4 x 2-1/2 in)

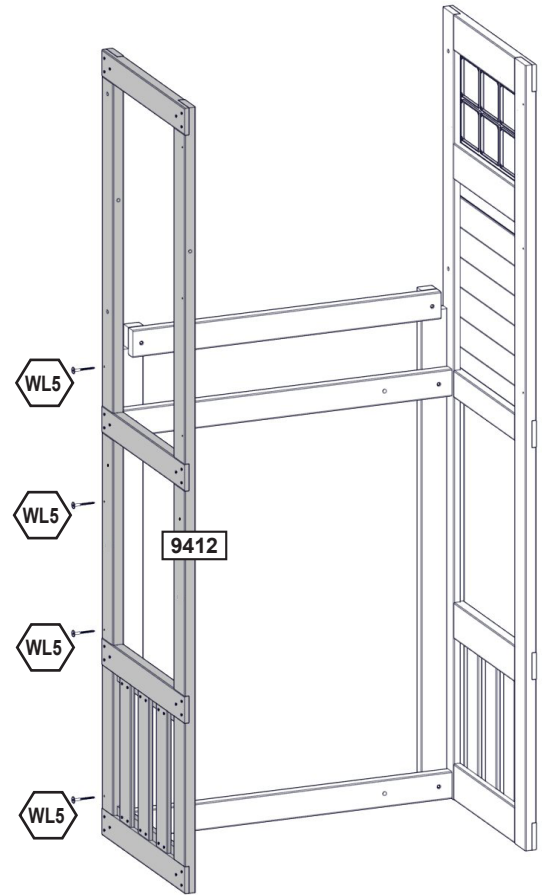
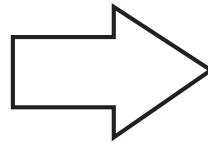


71

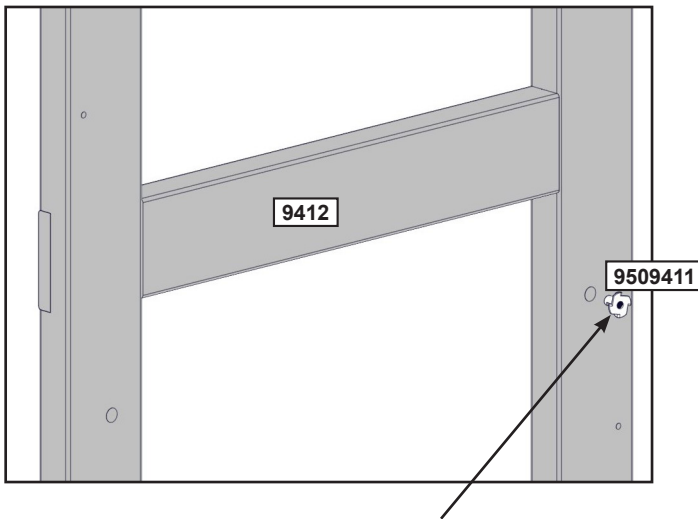
Pre-drill holes using a 3/16 in drill bit.



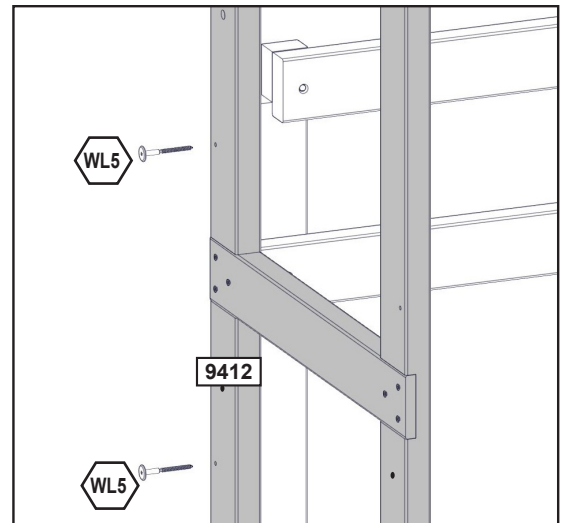
Assemble T-Nuts first with hammer!



Tunnel Side



Previously installed for Step 153.



**Wood Parts**

1 x **9412** 31.8 x 575.6 x 2217.7mm (1 1/4 x 22 11/16" x 87 5/16 in)

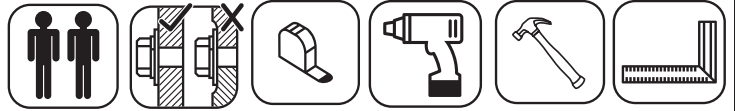
**Hardware**

4 x **WL5** 6.4mm x 63.5 mm (1/4 x 2-1/2 in)

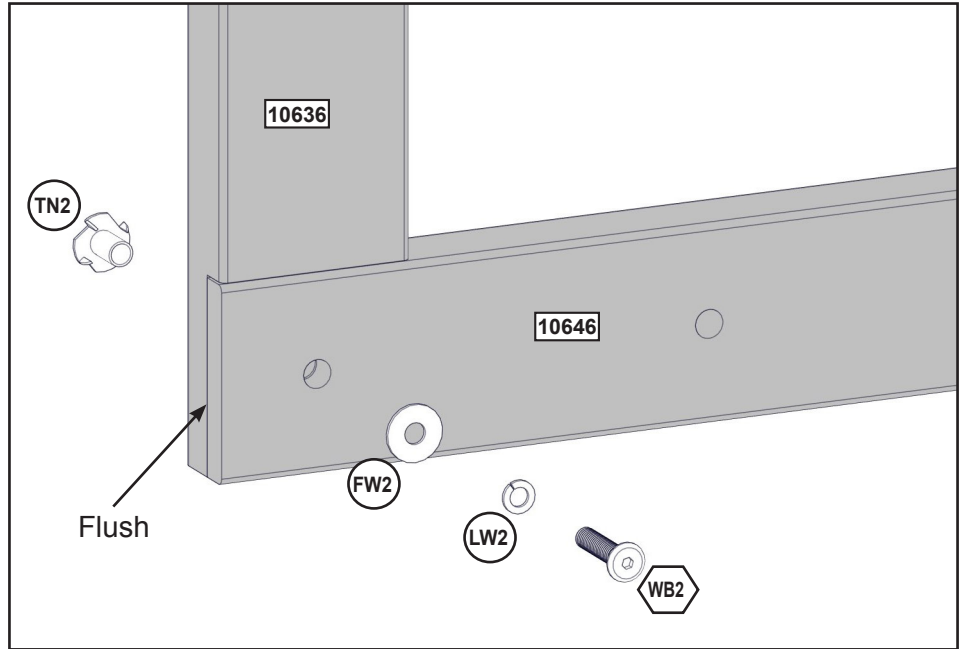
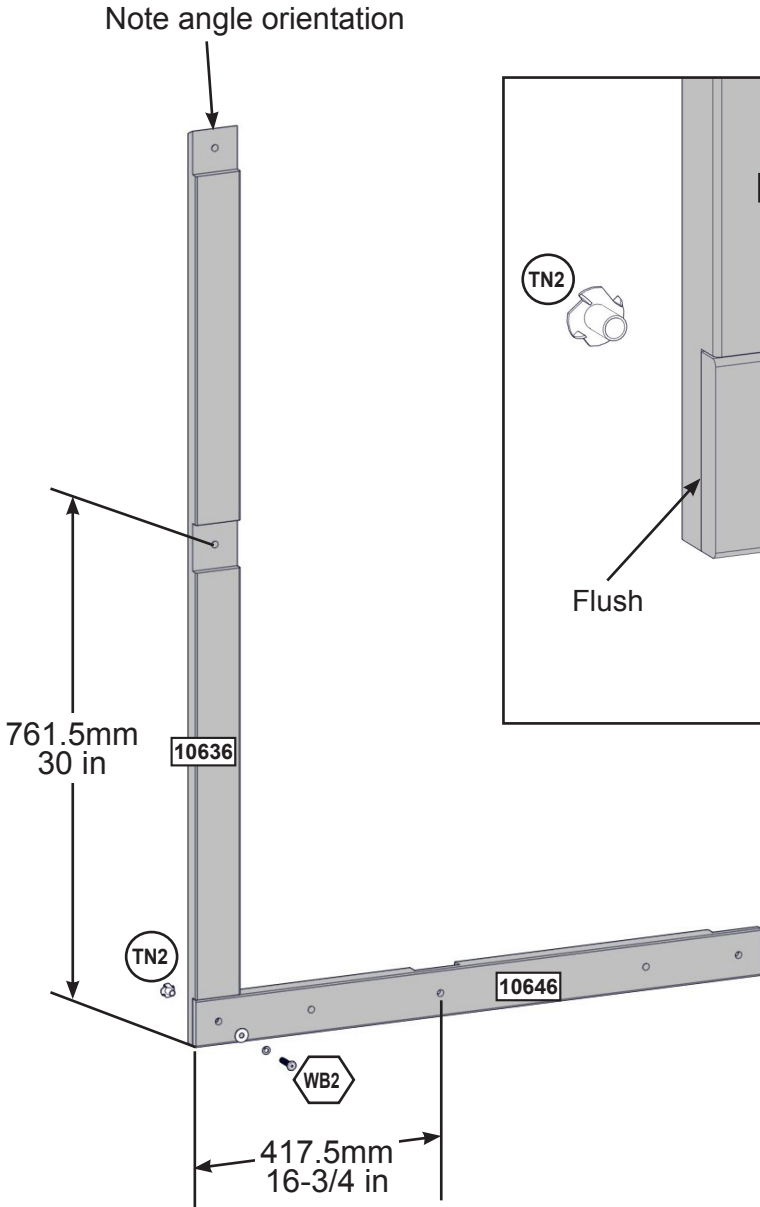
**Other Parts**

1 x **9509411**





**Assemble T-Nuts first with hammer!  
Note hole orientation.**

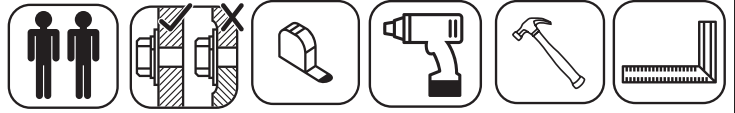


**Wood Parts**

- 1 x 31.8 x 76.2 x 965.1 mm (1 1/4 x 3 x 38 in)
- 1 x 31.8 x 76.2 x 1479.6 mm (1 1/4 x 3 x 58 1/4 in)

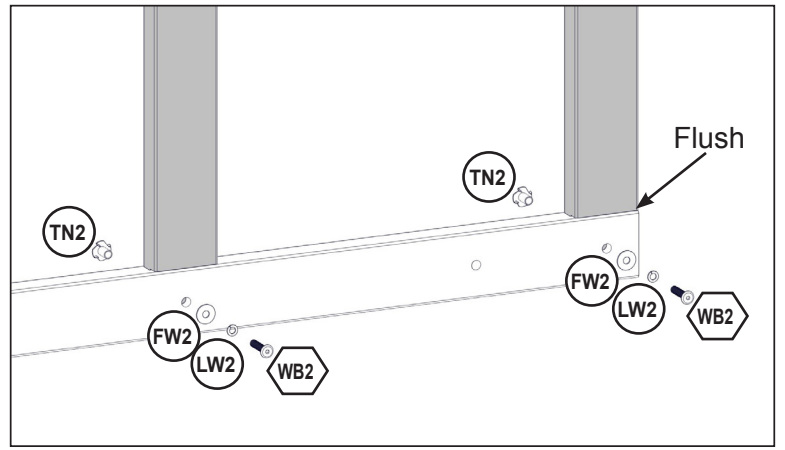
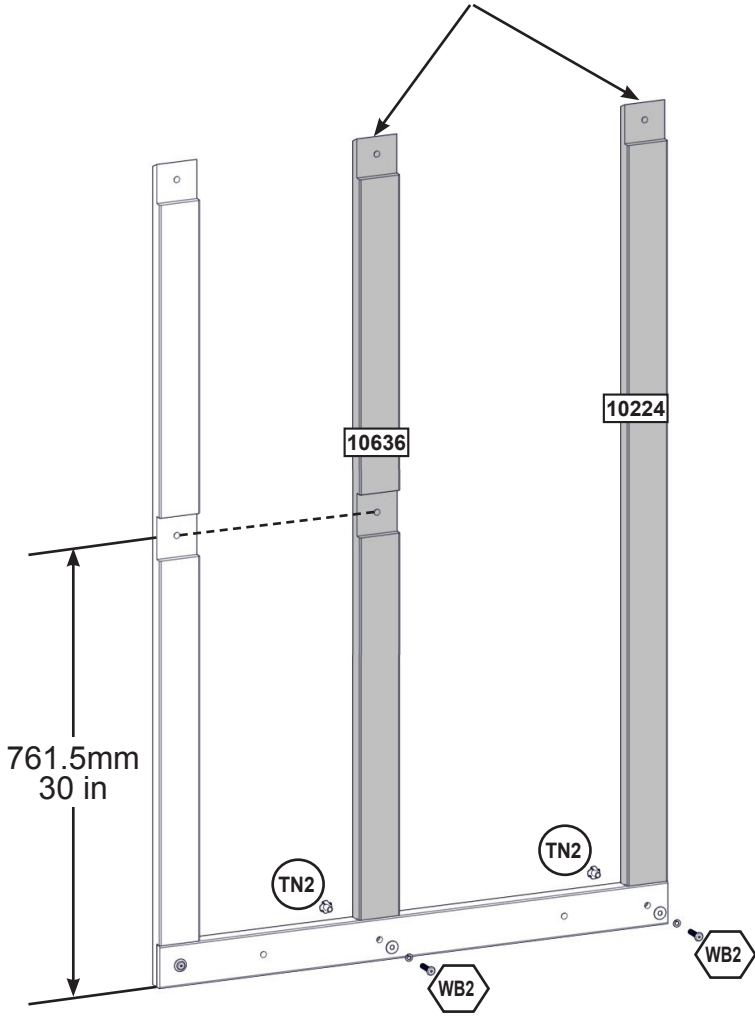
**Hardware**

- 1 x 7.9mm x 34.9 mm (5/16 x 1-3/8 in)(FW2, LW2, TN2)



Note angle orientation

**Assemble T-Nuts first with hammer!  
Note hole orientation.**



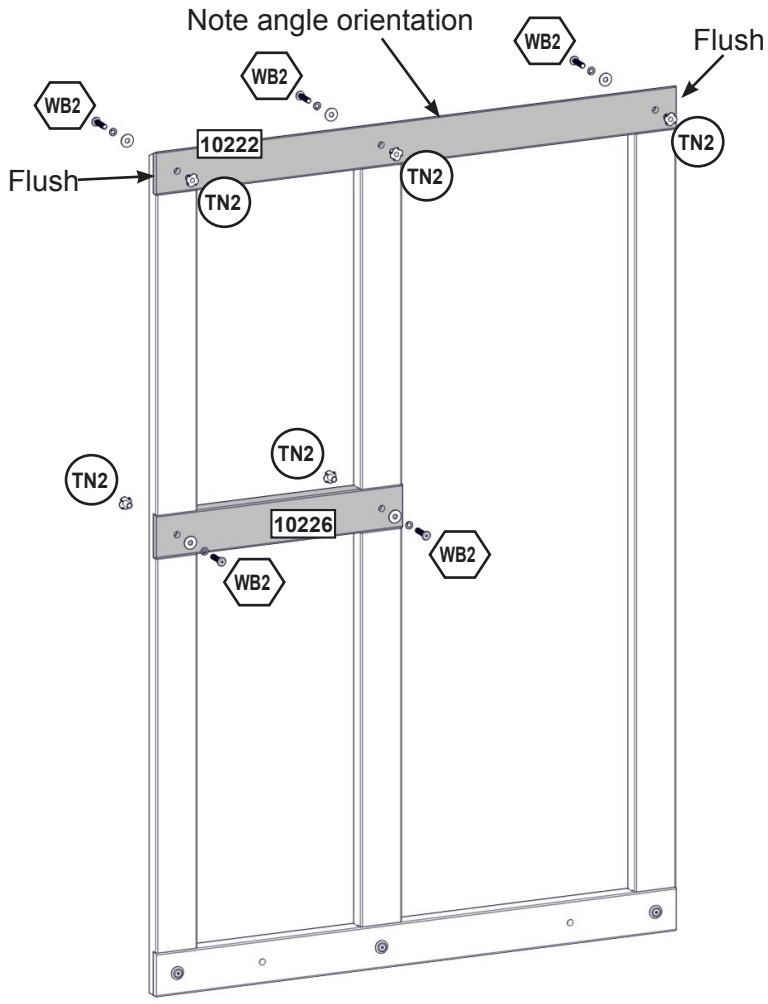
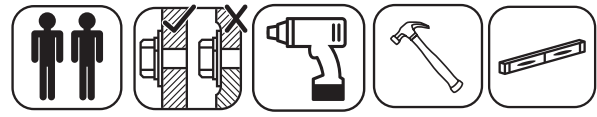
**Wood Parts**

- 1 x 31.8 x 76.2 x 1479.6 mm (1 1/4 x 3 x 58 1/4 in)
- 1 x 31.8 x 76.2 x 1479.6 mm (1 1/4 x 3 x 58 1/4 in)

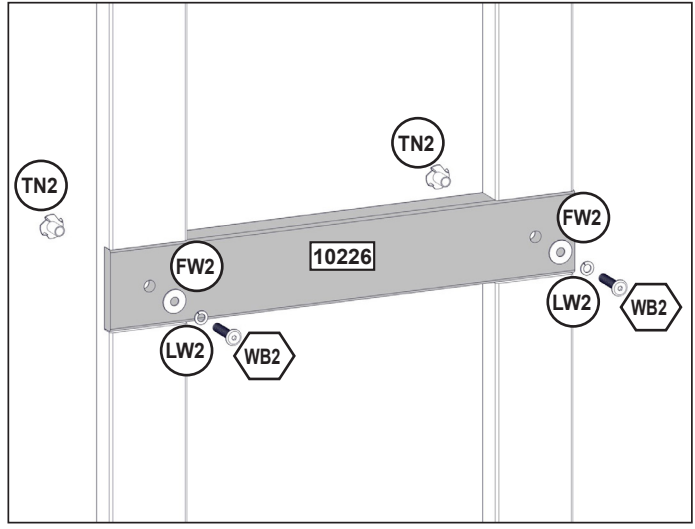
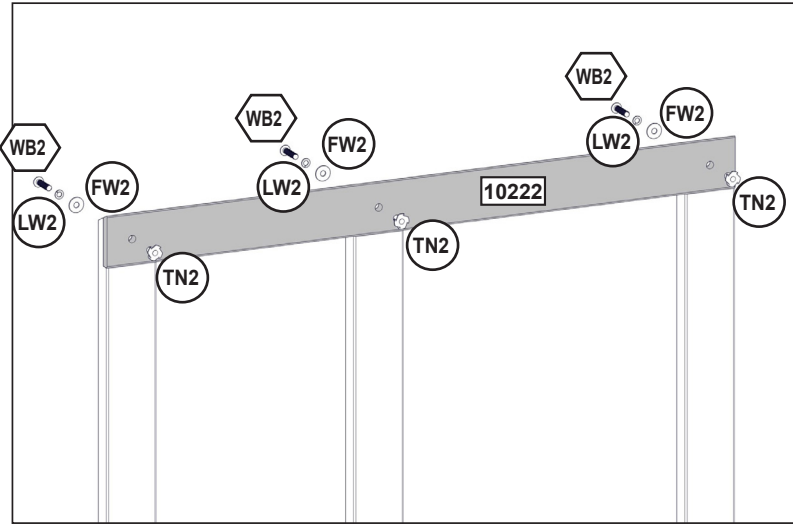
**Hardware**

- 2 x 7.9mm x 34.9 mm (5/16 x 1-3/8 in)(FW2, LW2, TN2)





Note WB2 orientation  
Assemble T-Nuts first with hammer!



**Wood Parts**

- 1 x 31.8 x 76.2 x 965.1 mm (1 1/4 x 3 x 38 in)
- 1 x 31.8 x 76.2 x 457.1 mm (1 1/4 x 3 x 18 in)

**Hardware**

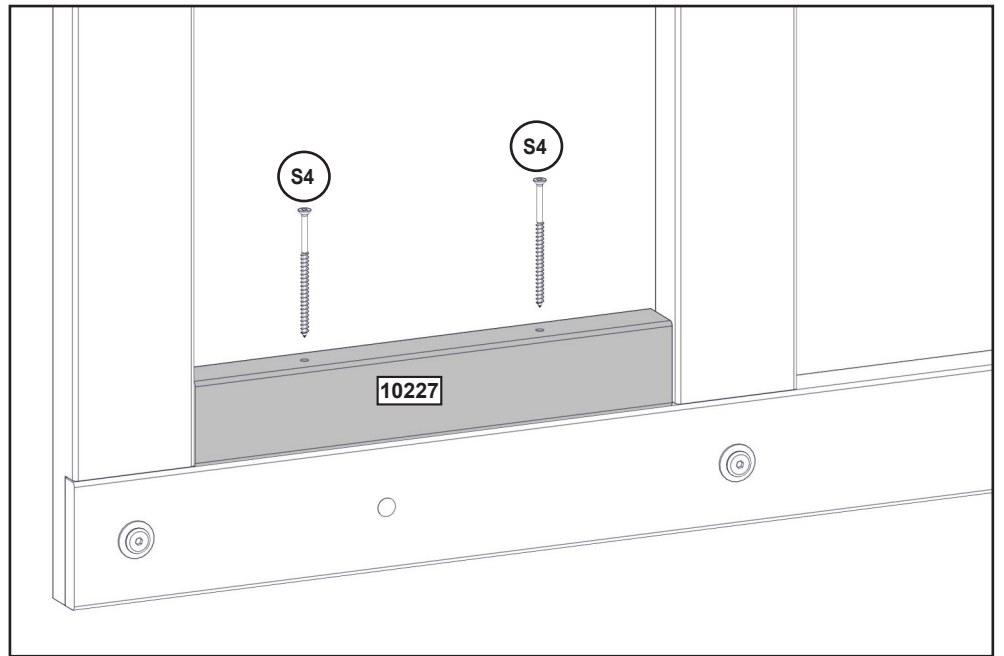
- 5 x 7.9mm x 34.9 mm (5/16 x 1-3/8 in)(FW2, LW2, TN2)



parts.kidkraft.com

customerservice@kidkraft.com  
1.800.933.0771  
972.385.0100

75



**Wood Parts**

1 x **10227** 31.8 x 50.8 x 300.7 mm (1 1/4 x 2 x 11 13/16 in)

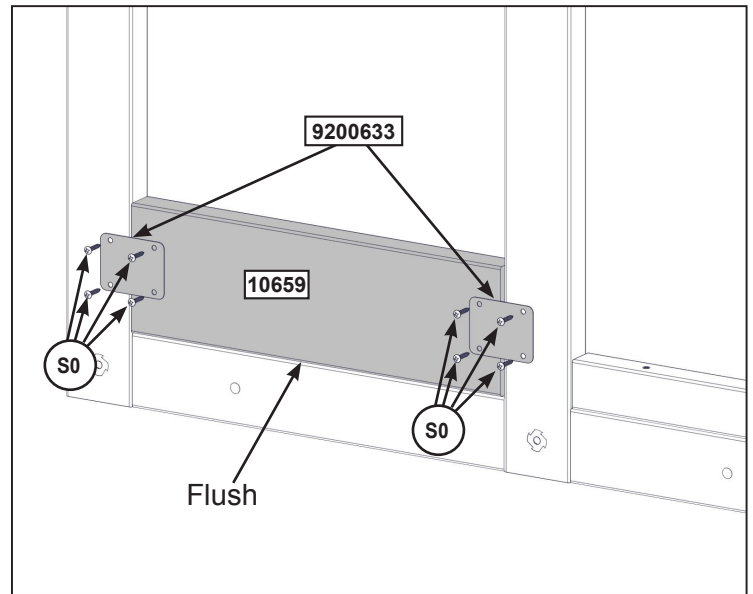
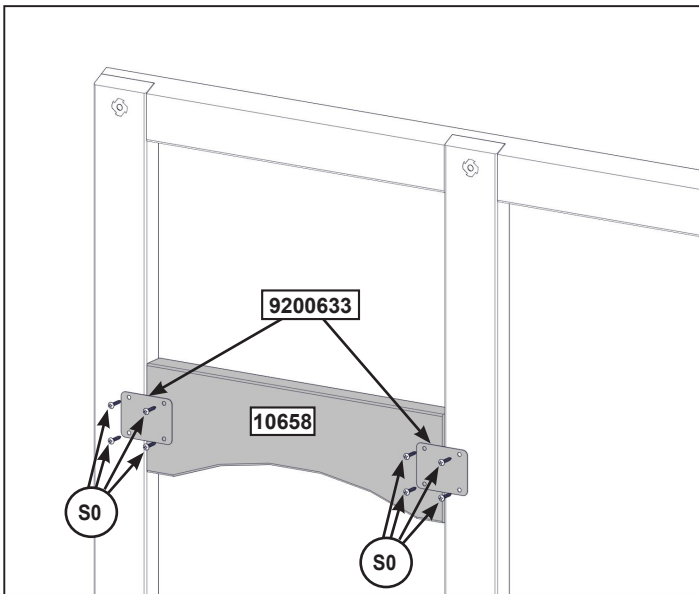
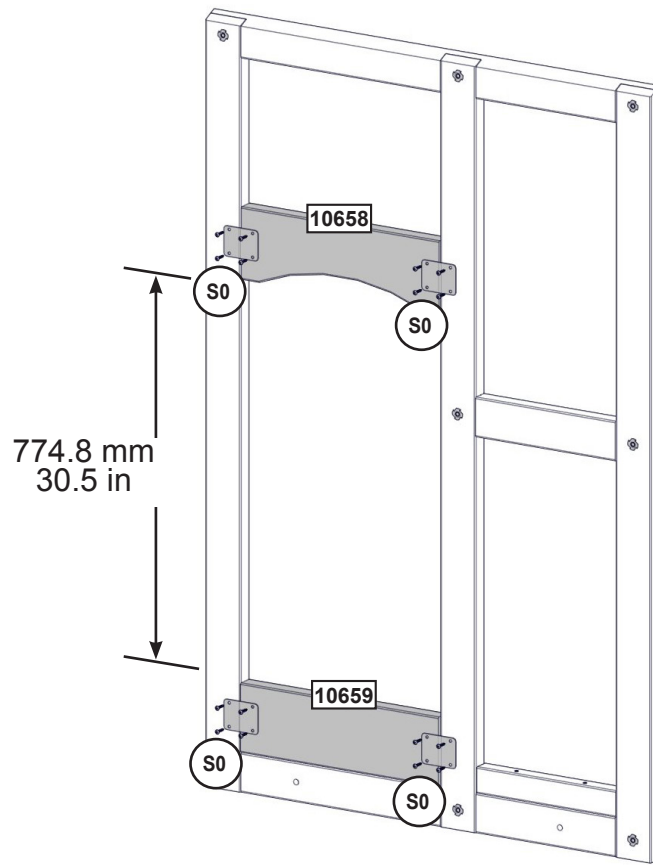
**Hardware**

2 x **S4** #8 x 76.2mm (#8 x 3 in)

europecustomerservice@kidkraft.com  
+31 20 305 8620  
M-F from 09:00 to 17:30 (GMT+1)

parts.kidkraft.eu





**Wood Parts**

- 1 x **10658** 31.8 x 139.6 x 428.6 mm (1 1/4 x 5 1/2 x 16 7/8 in)
- 1 x **10659** 31.8 x 133.4 x 428.6 mm (1 1/4 x 5 1/4 x 16 7/8 in)

**Hardware**

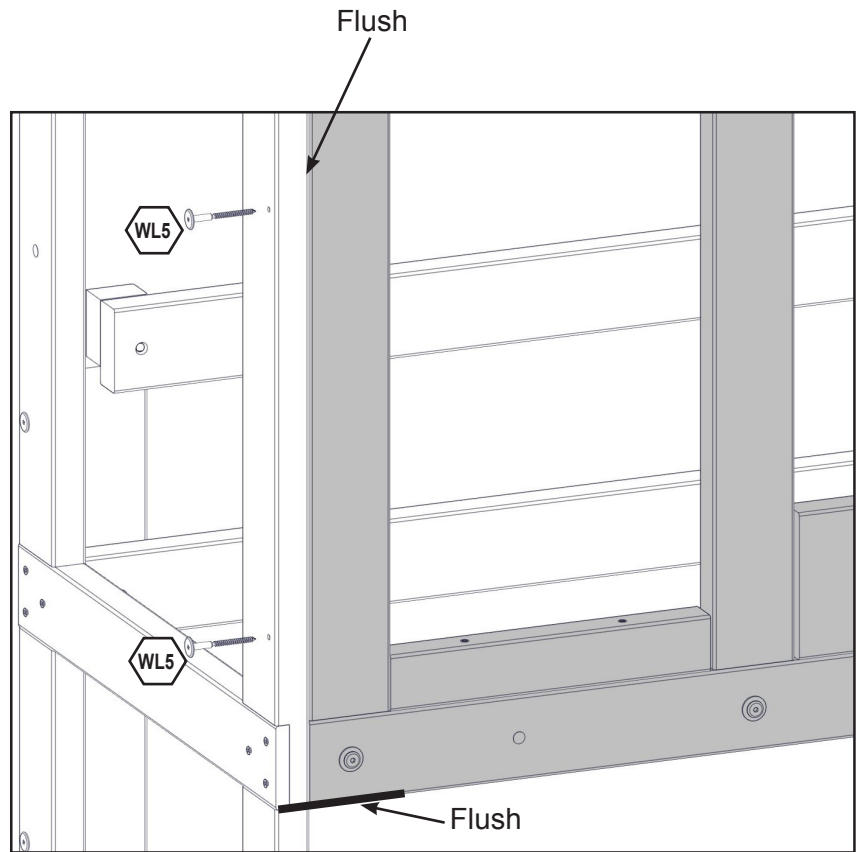
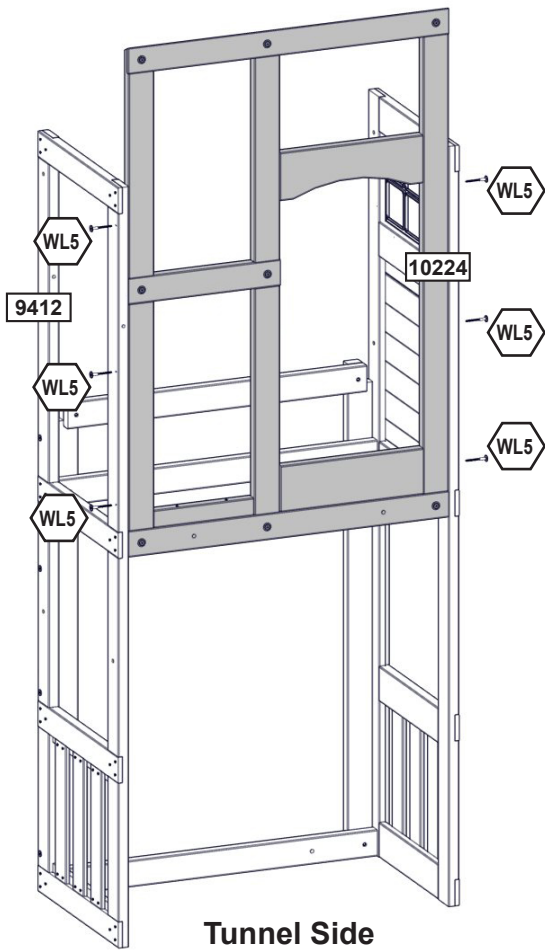
- 16 x **S0** #8 x 22.2mm (#8 x 7/8 in)

**Other Parts**


- 4 x **9200633**



Pre-drill holes using a 3/16 in drill bit.



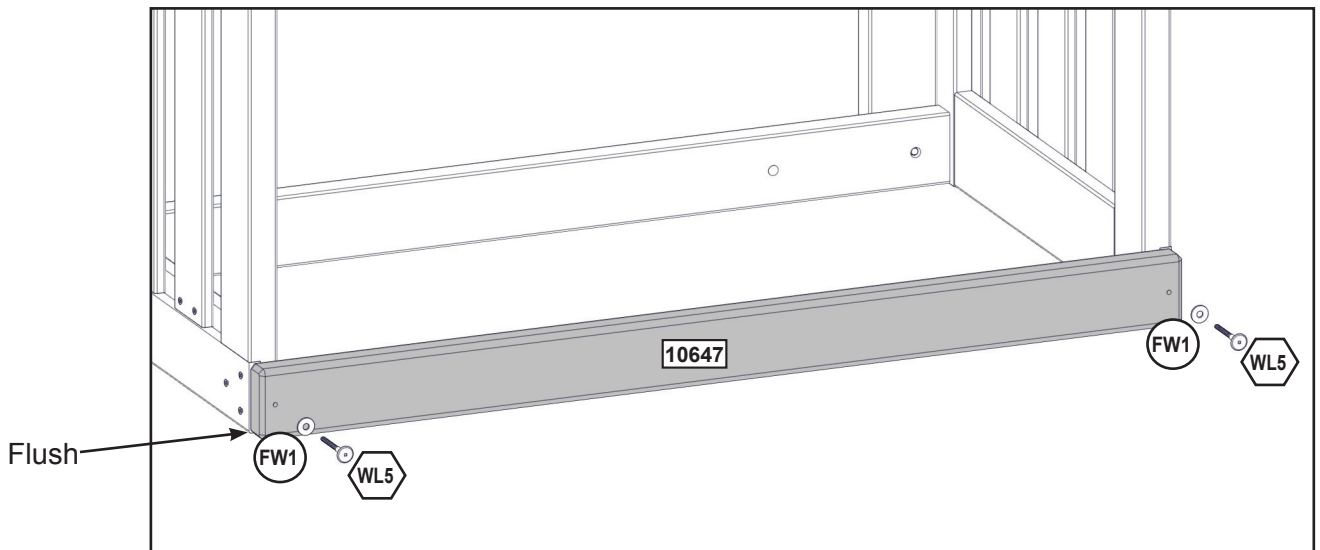
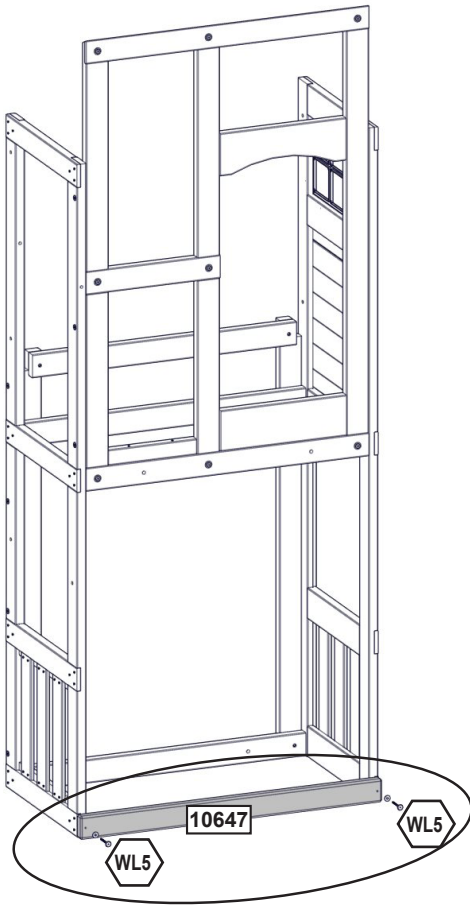
**Hardware**

6 x  6.4mm x 63.5 mm (1/4 x 2-1/2 in)





Pre-drill holes using a 3/16 in drill bit.



**Wood Parts**

1 x **10647** 31.8 x 76.2 x 1028.7 mm (1 1/4 x 3 x 40 1/2 in)

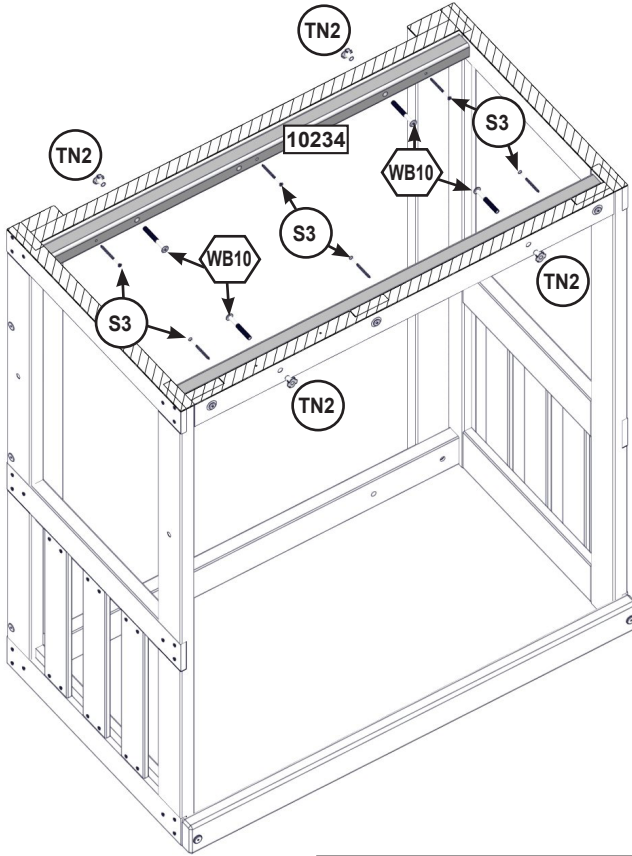
**Hardware**

2 x **WL5** 6.4mm x 63.5 mm (1/4 x 2-1/2 in)

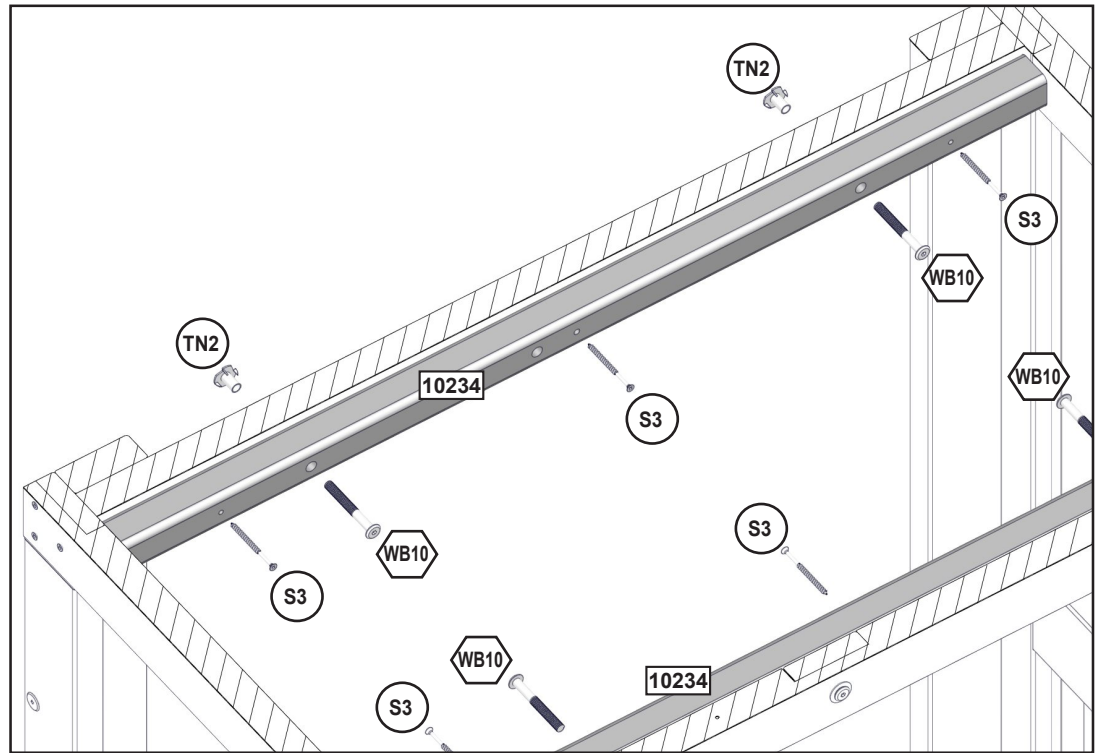
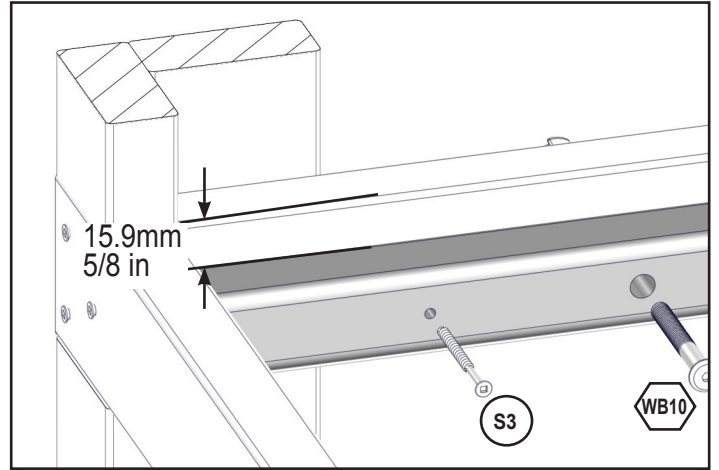
2 x **FW1**



79



**Assemble T-Nuts first with hammer!**  
**Note: Structure partly removed for clarity.**



**Wood Parts**

2 x 10234 38.1 x 38.1 x 959 mm (1 1/2 x 1 1/2 x 37 3/4 in)

**Hardware**

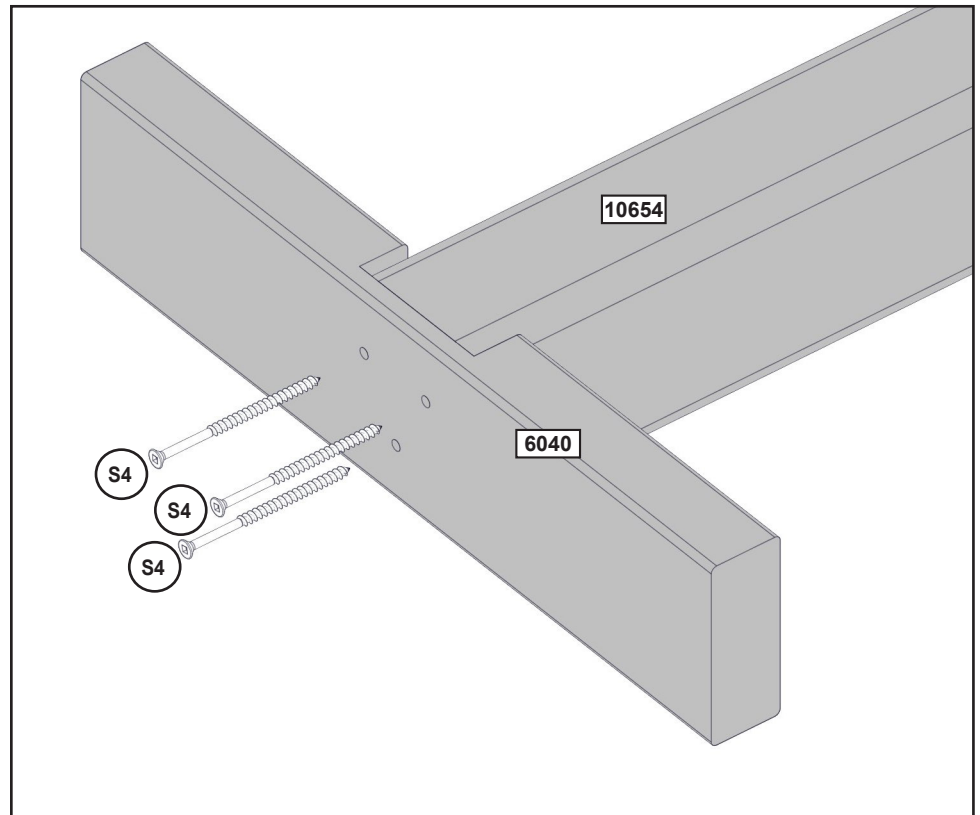
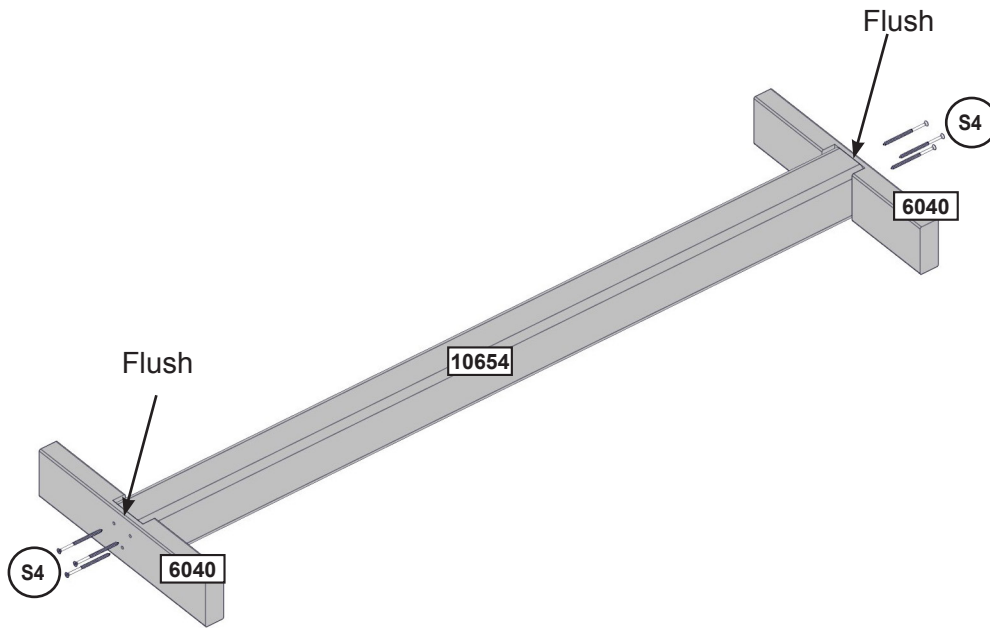
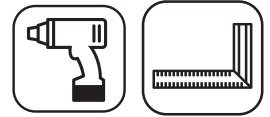
6 x S3 #8 x 64mm (#8 x 2-1/2 in)

4 x WB10 7.9mm x 66.6 mm (5/16 x 2-5/8 in)(TN2)

europcustomerservice@kidkraft.com  
 +31 20 305 8620  
 M-F from 09:00 to 17:30 (GMT+1)

parts.kidkraft.eu





**Wood Parts**

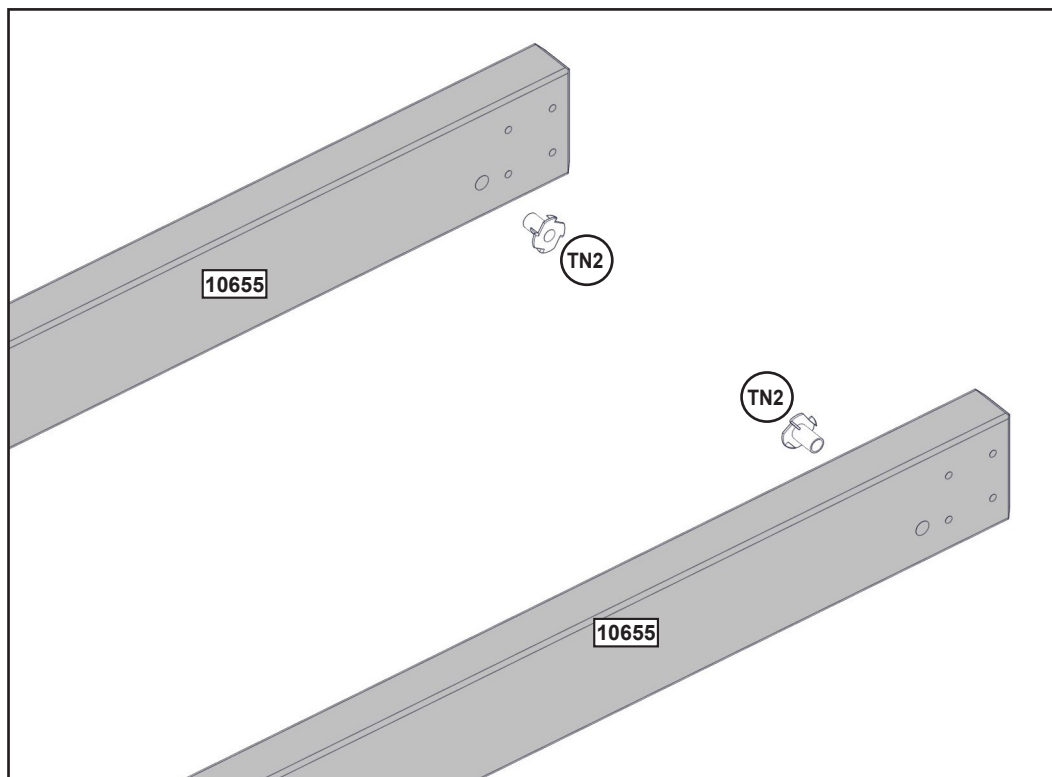
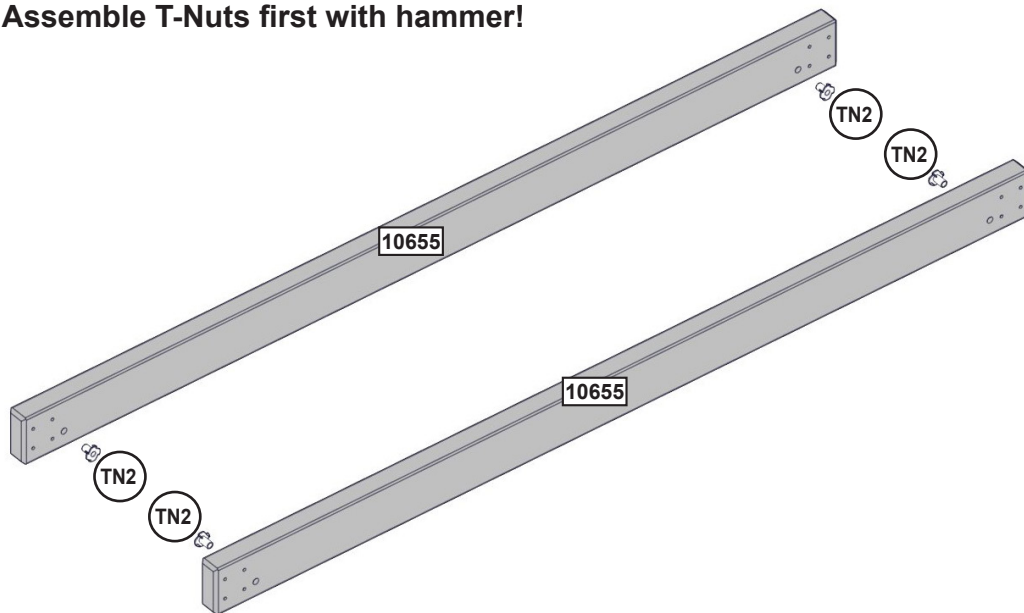
- 2 x 6040 31.8 x 82.6 x 367 mm (1 1/4 x 3 1/4 x 14 7/16 in)
- 1 x 10654 63.5 x 82.6 x 1263.7 mm (2 1/2 x 3 1/4 x 49 3/4 in)

**Hardware**

- 6 x S4 #8 x 64mm (#8 x 2-1/2 in)



Assemble T-Nuts first with hammer!



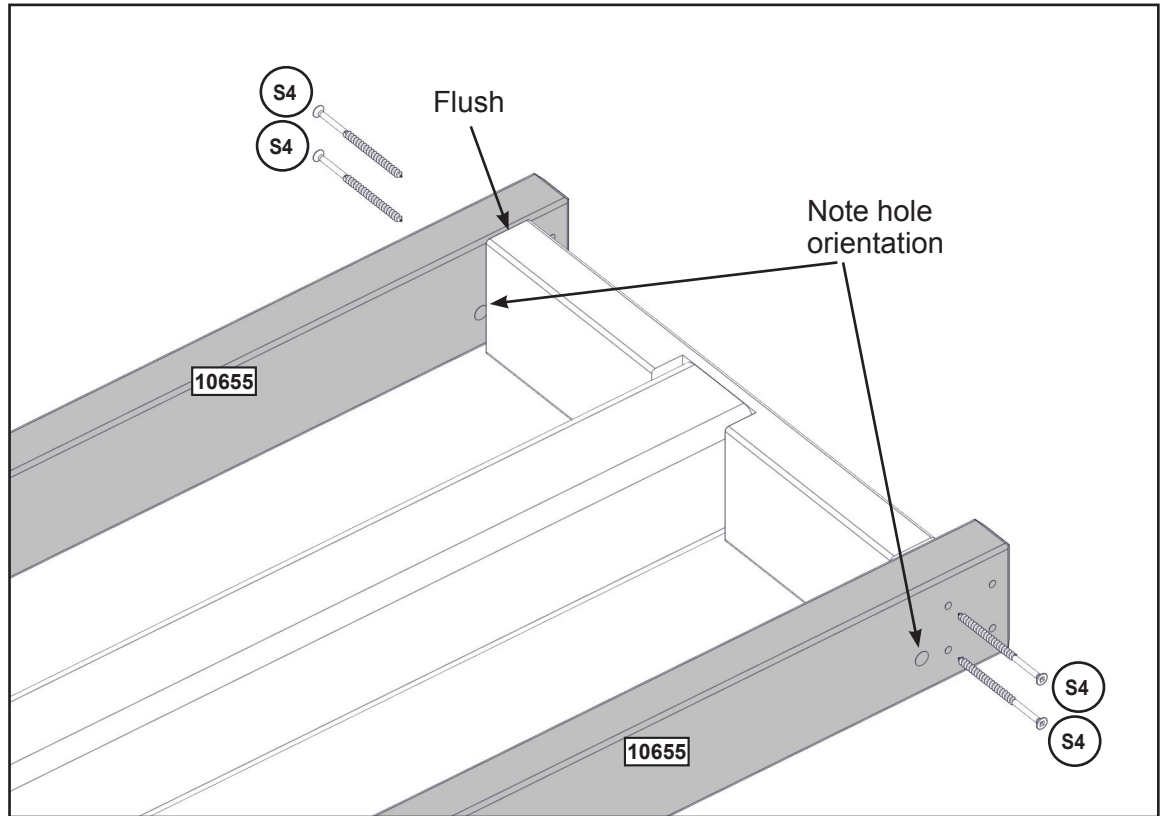
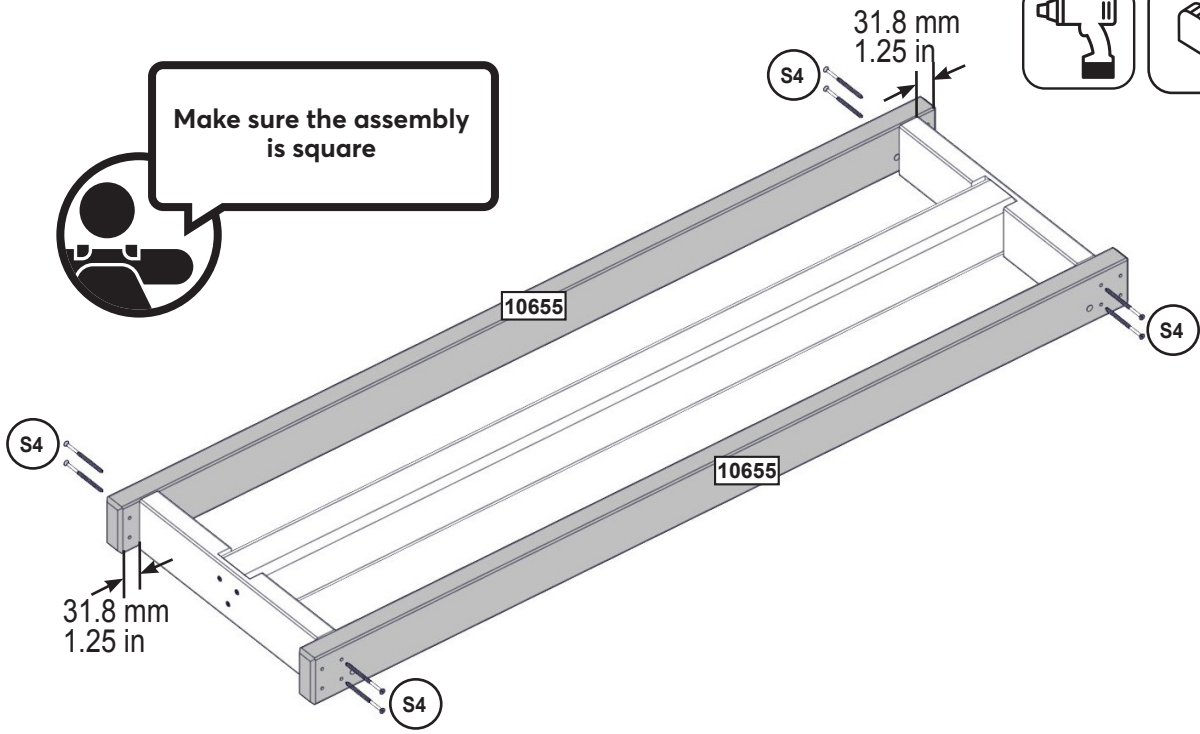
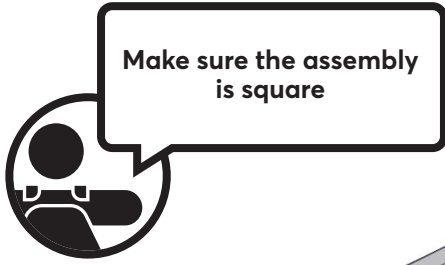
**Wood Parts**

2 x 10655 31.8 x 76.2 x 1346.2 mm (1 1/4 x 3 x 53 in)

**Hardware**

4 x TN2



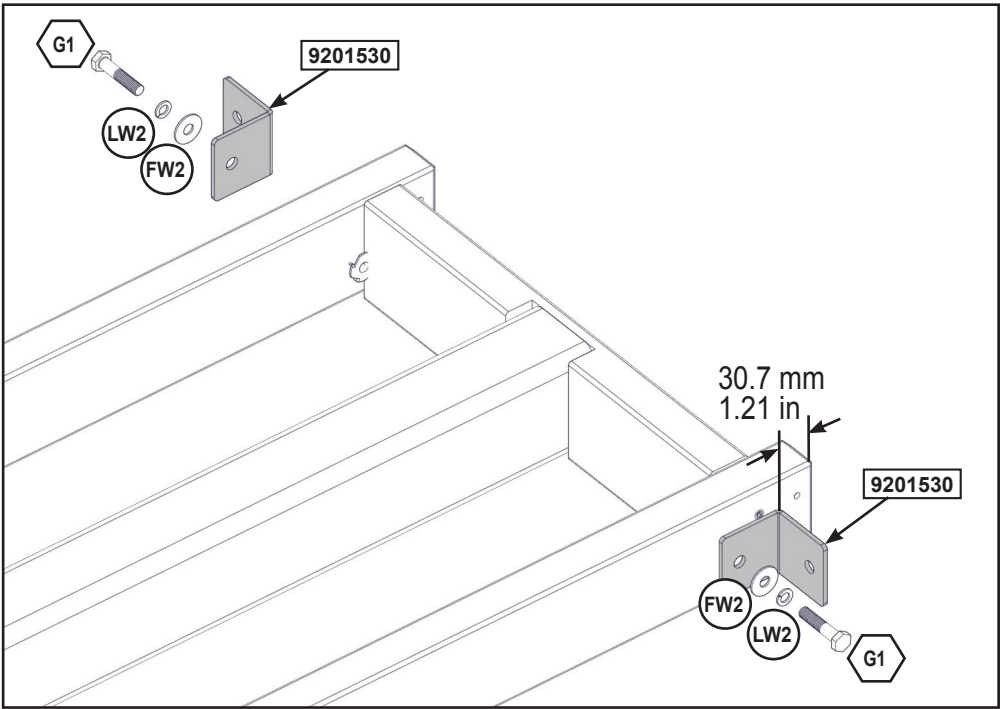
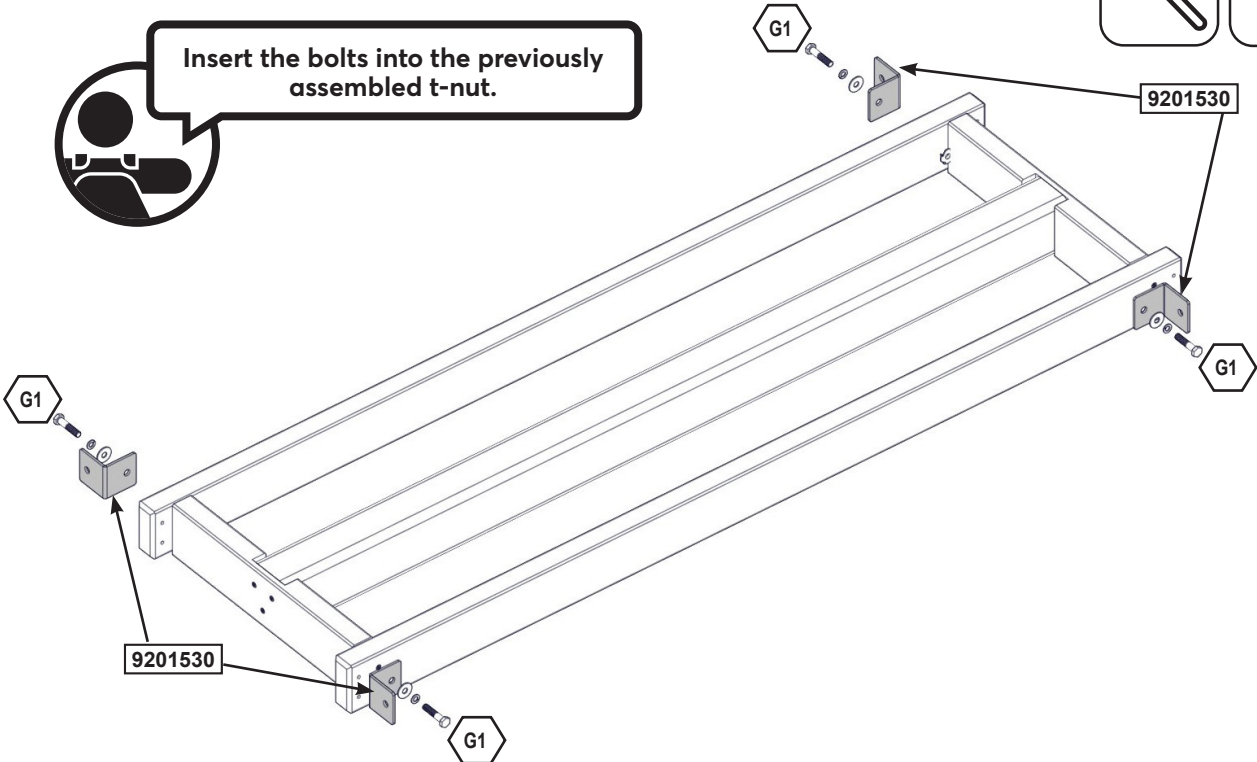


**Hardware**

8 x S4 #8 x 76.2mm (#8 x 3 in)



Insert the bolts into the previously assembled t-nut.



**Hardware**

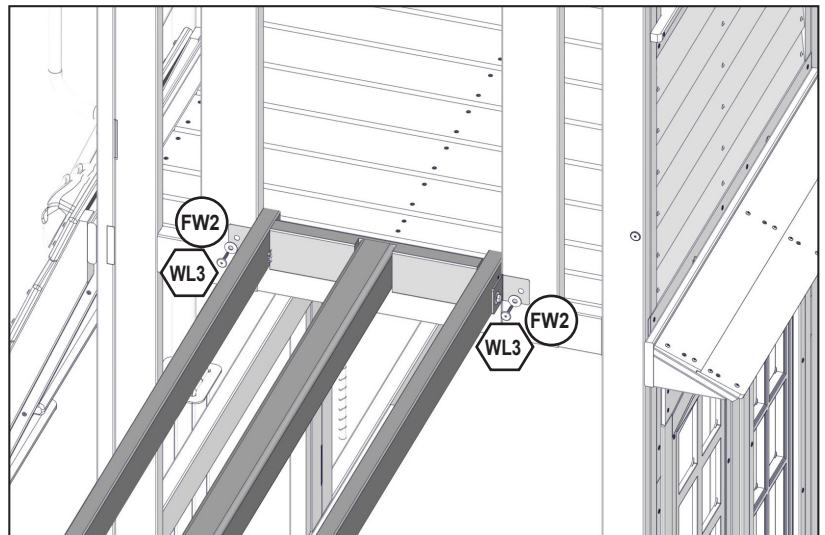
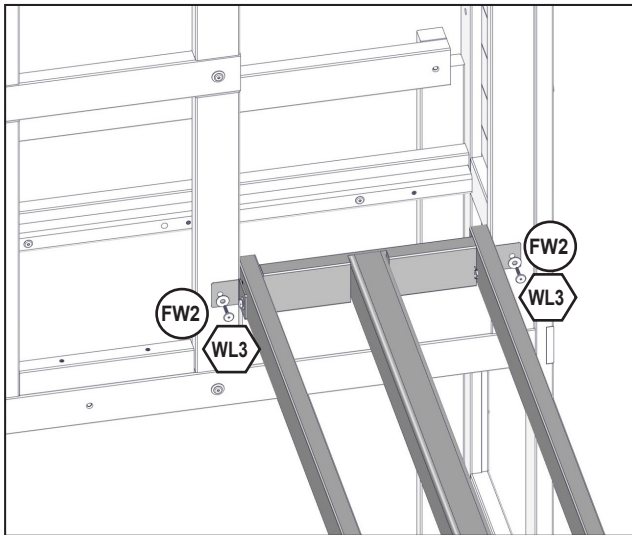
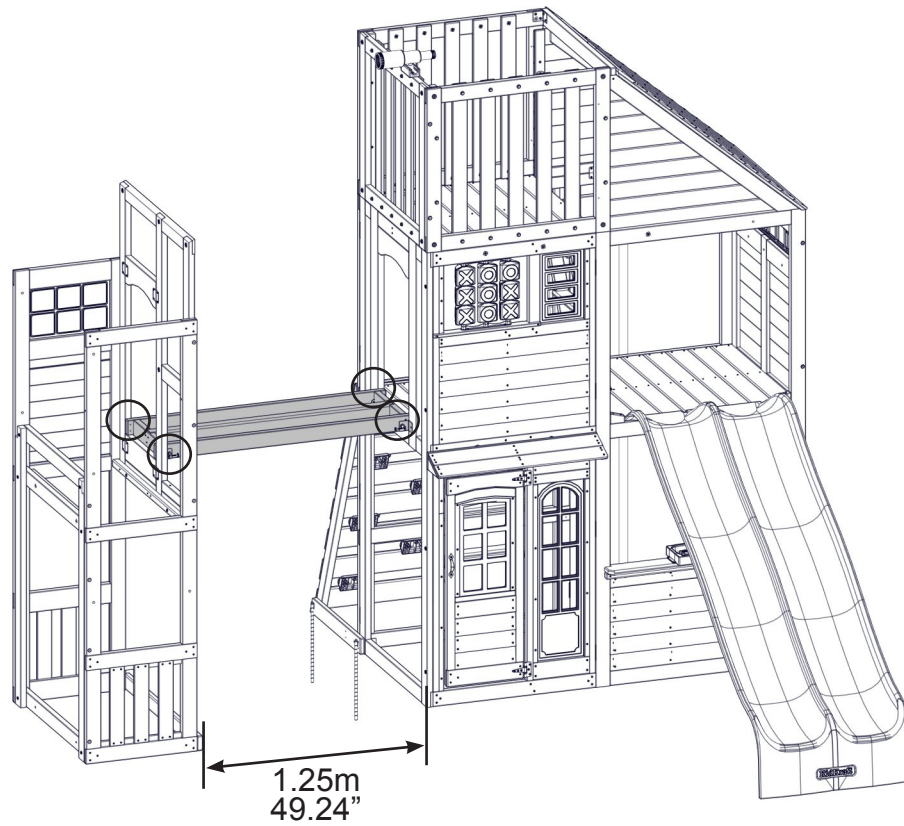
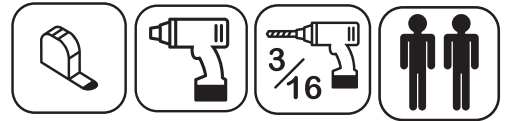
4 x G1 7.9mm x 38.1mm (5/16 x 1-1/2 in)(LW2,FW2)

**Other Parts**

4 x 9201530

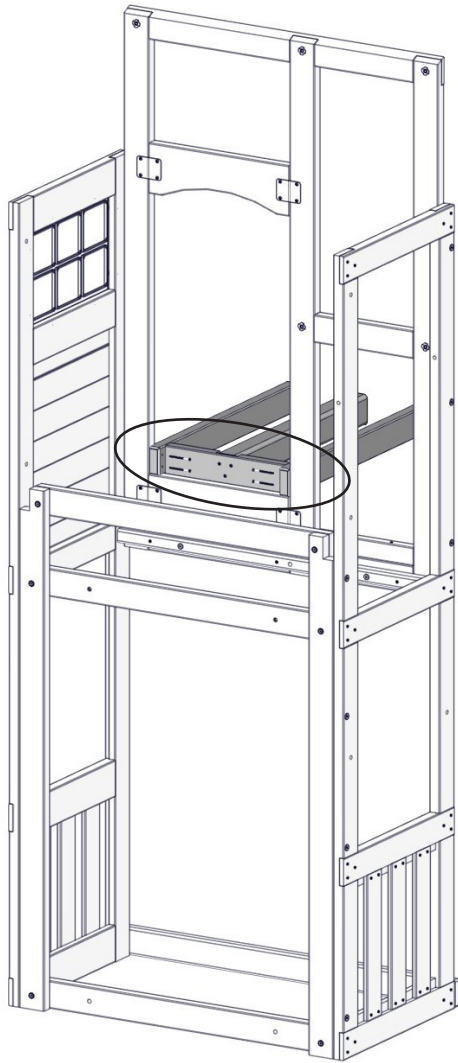


Pre-drill holes using a 3/16 in drill bit.



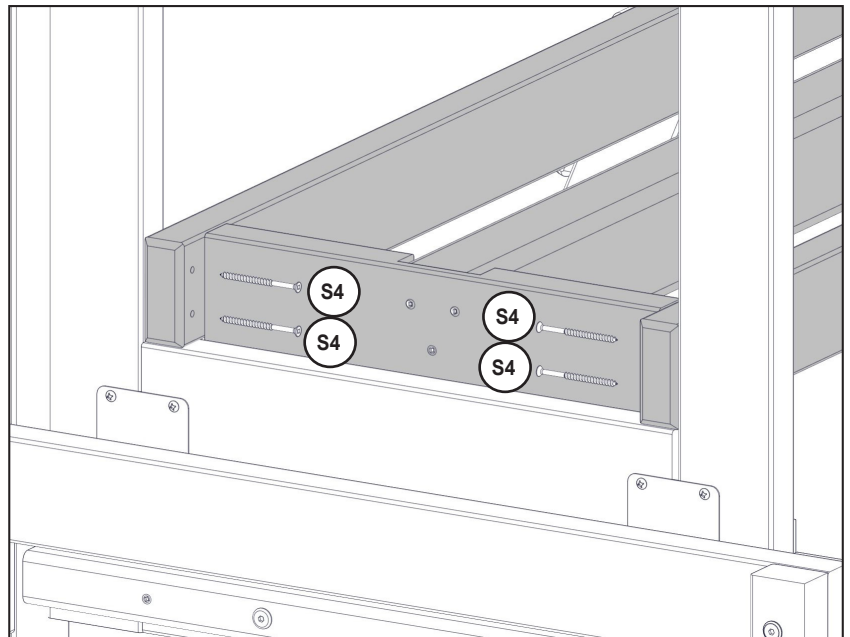
**Hardware**

4 x WL3 6.4mm x 34.9mm (1/4 x 1-3/8 in)(FW2)




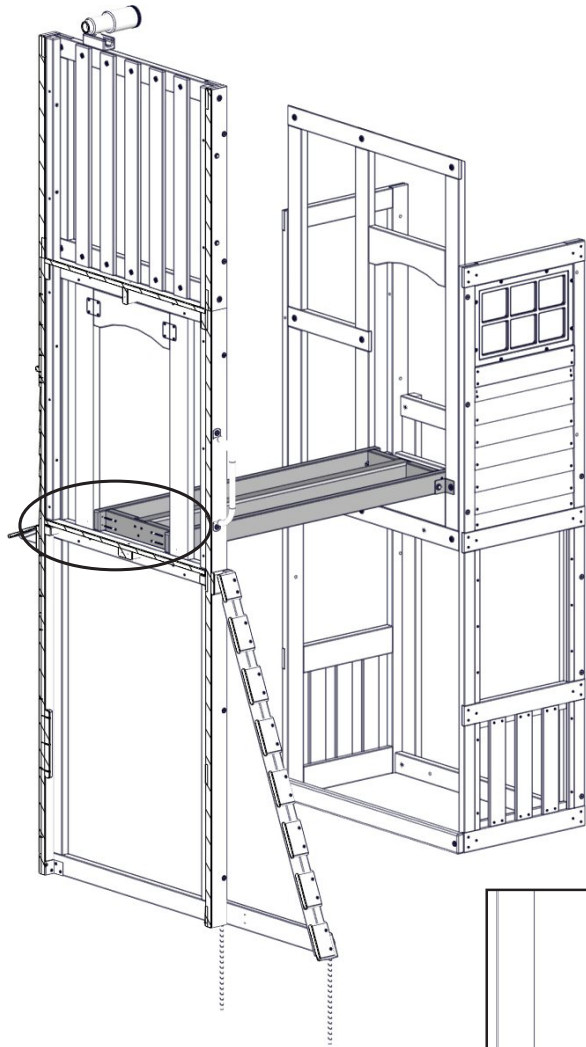
**Tube Slide Side**

**Note: Structure partly removed for clarity.**

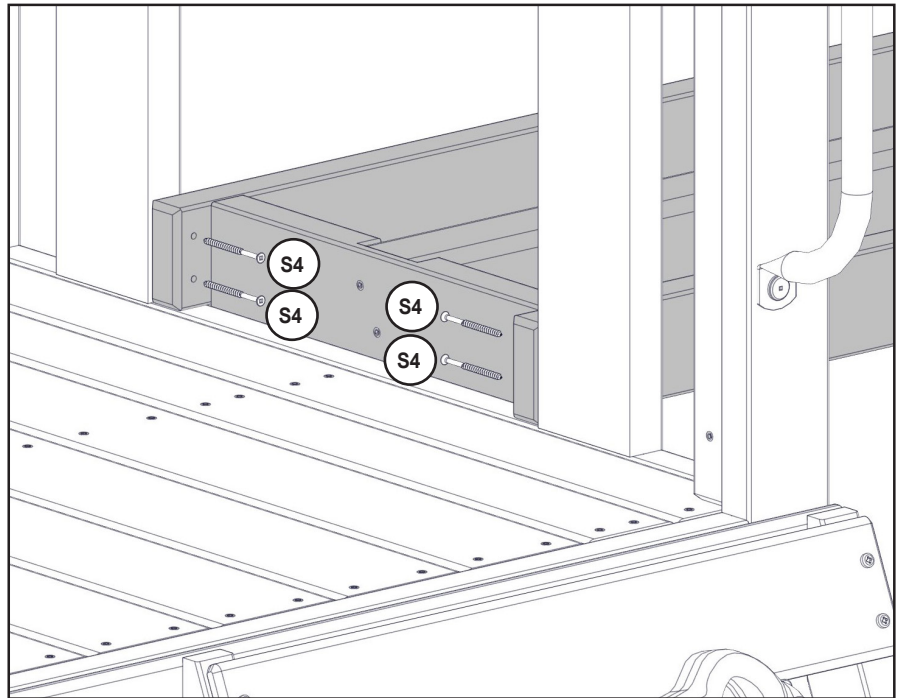


**Hardware**

4 x  #8 x 76.2mm (#8 x 3 in)



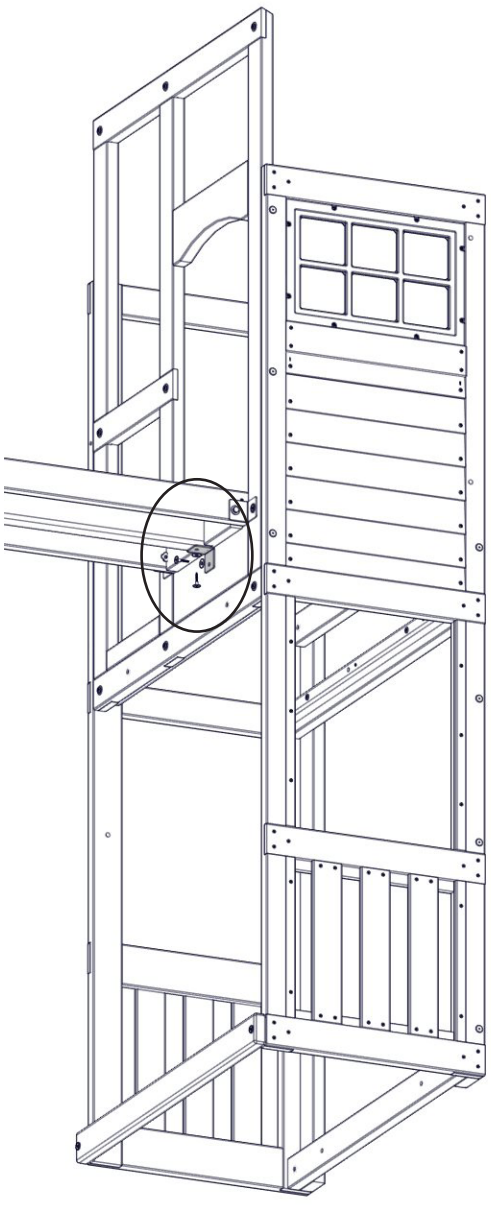
**Note: Structure partly removed for clarity.**



**Hardware**

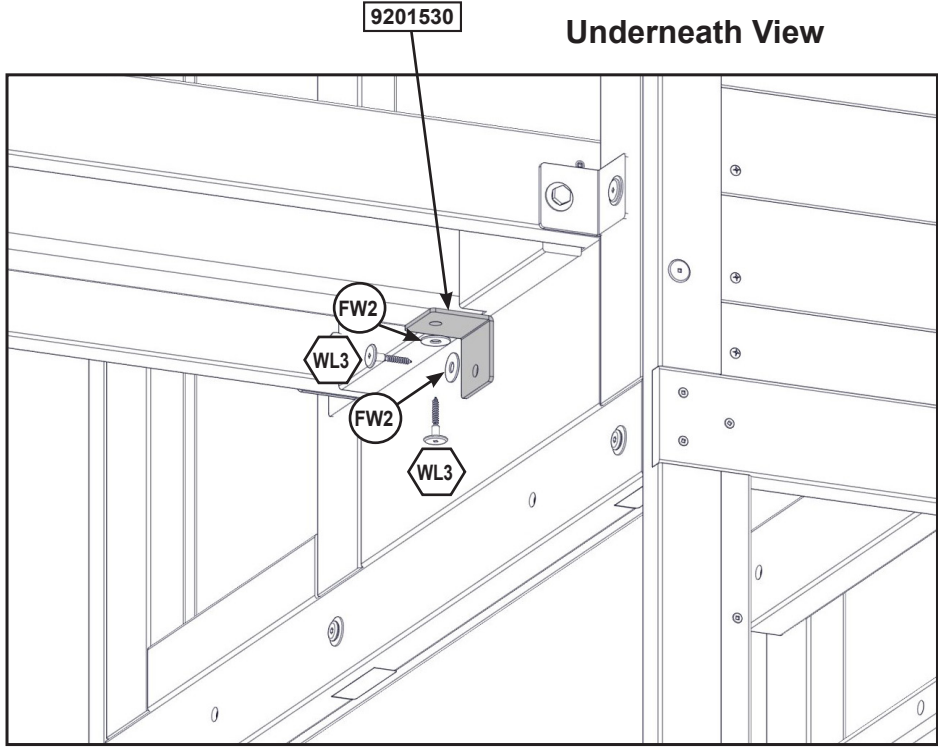
4 x  #8 x 76.2mm (#8 x 3 in)






**Note: Structure partly removed for clarity.**

**Pre-drill holes using a 3/16 in drill bit.**



**Underneath View**

**Hardware**  
 2 x  6.4mm x 34.9mm (1/4 x 1-3/8 in)(FW2)

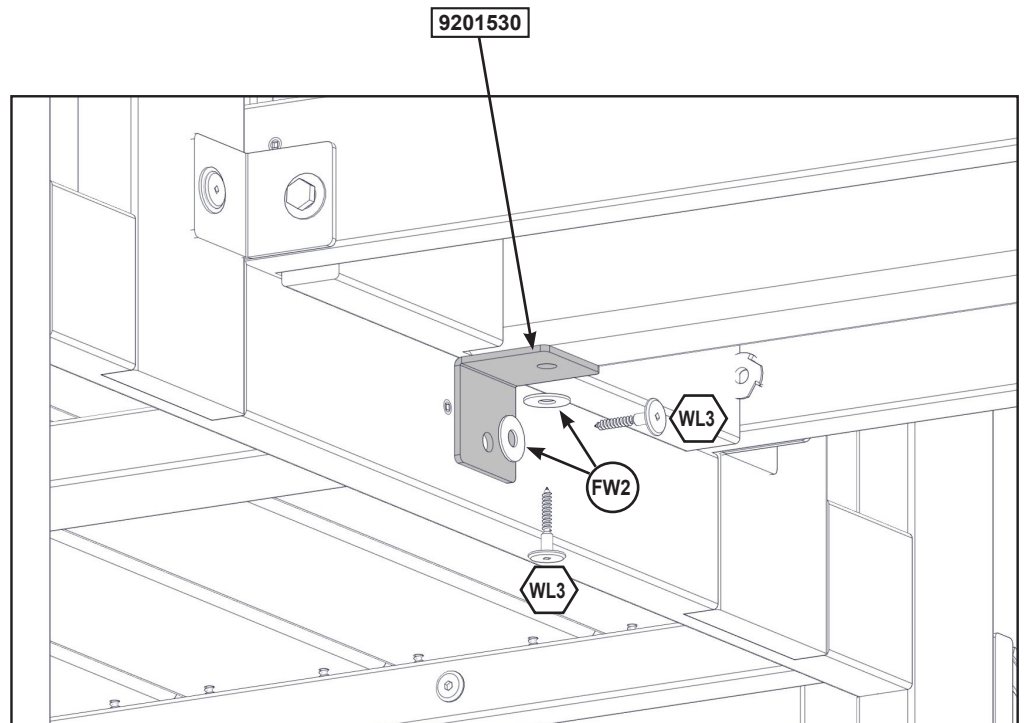
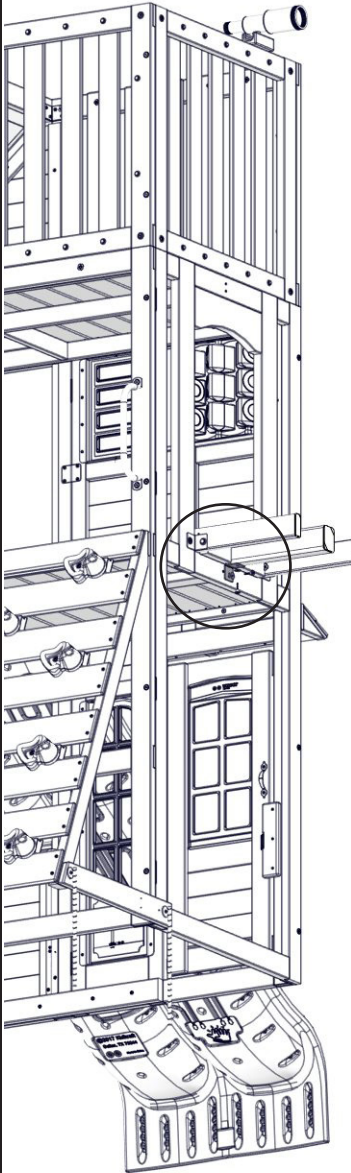
**Other Parts**  
 1 x 





**Note: Structure partly removed for clarity.**

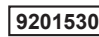
**Pre-drill holes using a 3/16 in drill bit.**



**Hardware**

2 x  6.4mm x 34.9mm (1/4 x 1-3/8 in)(FW2)

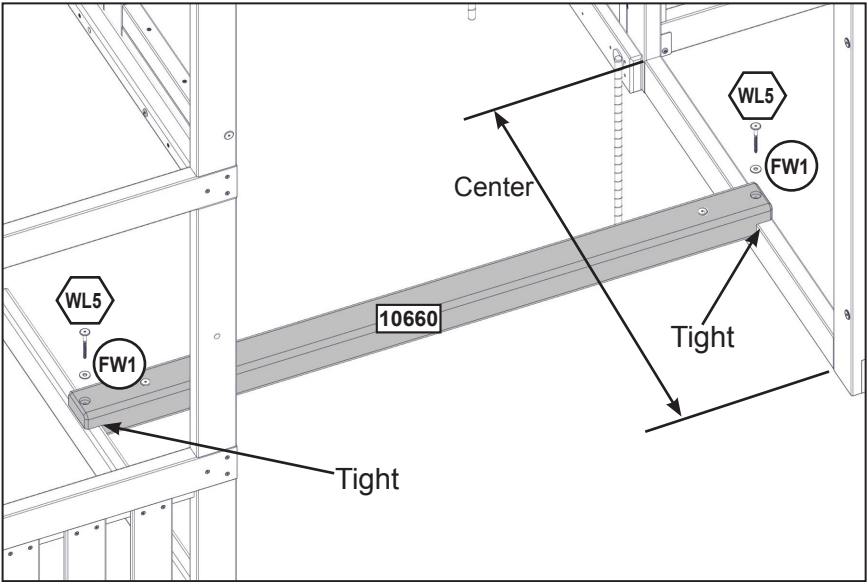
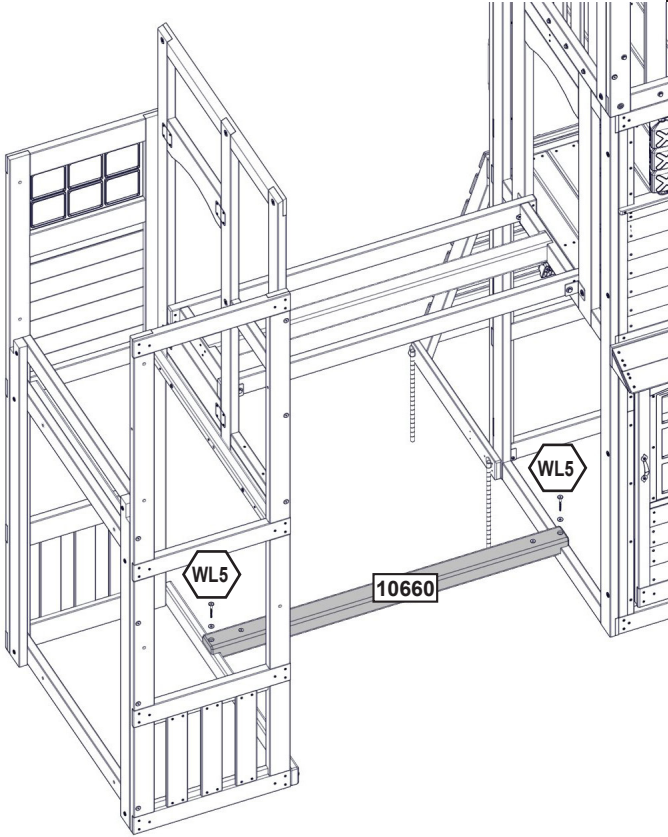
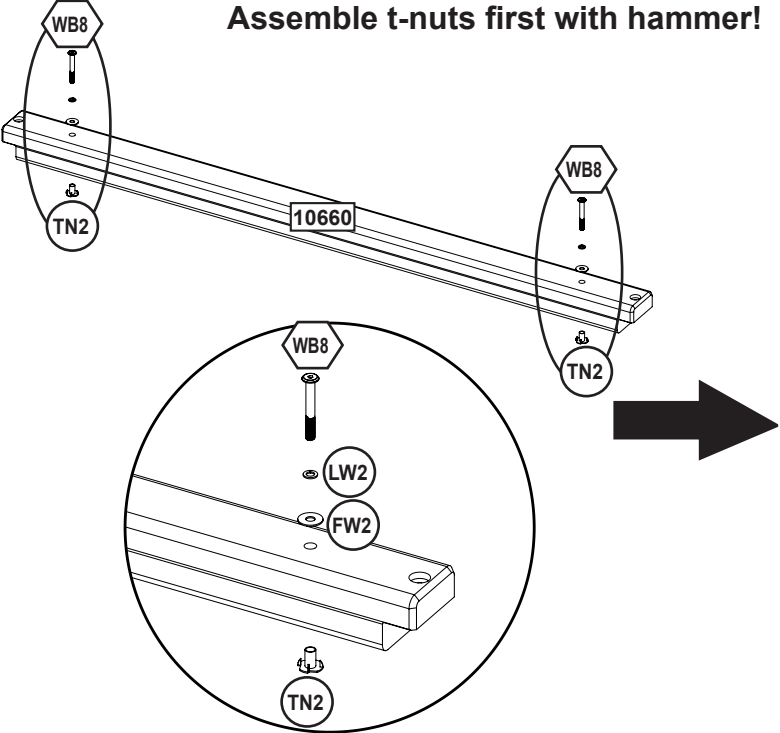
**Other Parts**

1 x 

It is important that these bolts are attached. It will minimize checking of wood.



Assemble t-nuts first with hammer!



Note: Structure partly removed for clarity.

Pre-drill holes using a 3/16 in drill bit.

Wood Parts

1 x 10660 63.5 x 76.2 x 1314.5 mm (2 1/2 x 3 x 51 3/4 in)

Hardware

2 x WL5 6.4mm x 63.5 mm (1/4 x 2-1/2 in)(FW1)

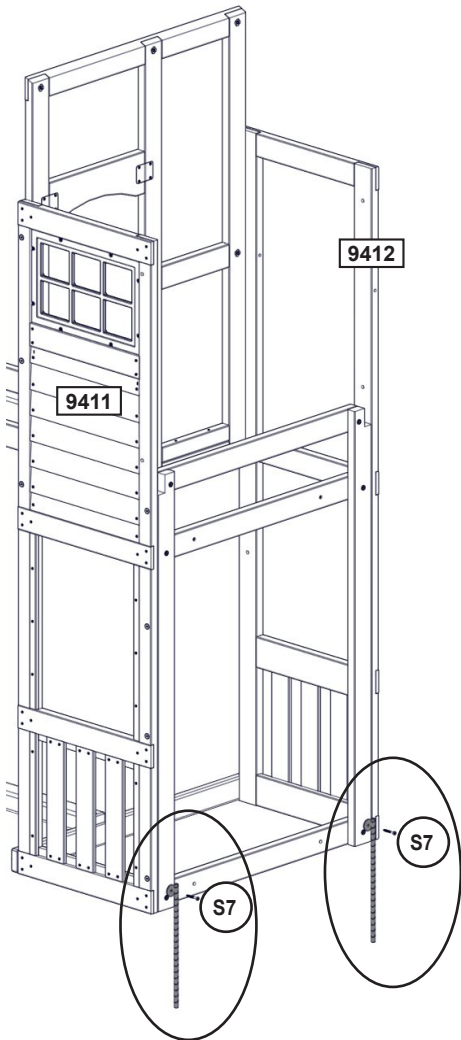
2 x WB8 7.9mm x 60.3 mm (5/16 x 2-3/8 in)(FW2, LW2, TN2)



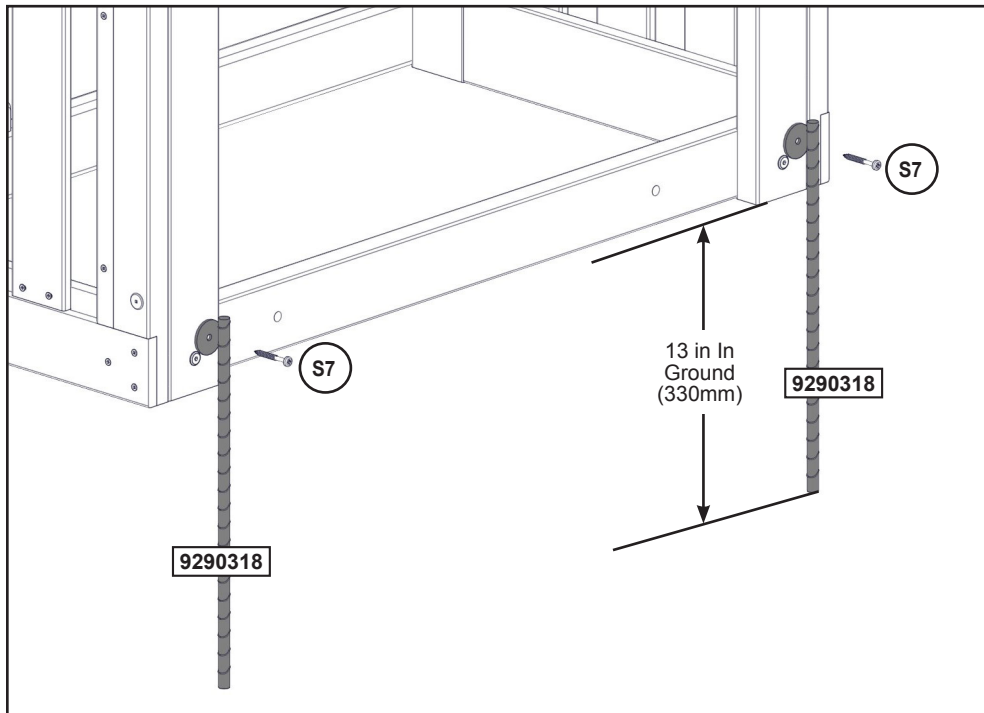
**SEE COVER PAGE FOR SAFETY CLEARANCE**



**Warning!** To prevent tipping and avoid potential injury, stakes must be driven 13 in(330mm) into ground. Digging or driving stakes can be dangerous if you do not check first for under-ground wiring, cables or gas lines.



**Note:** Structure partly removed for clarity.



**Hardware**

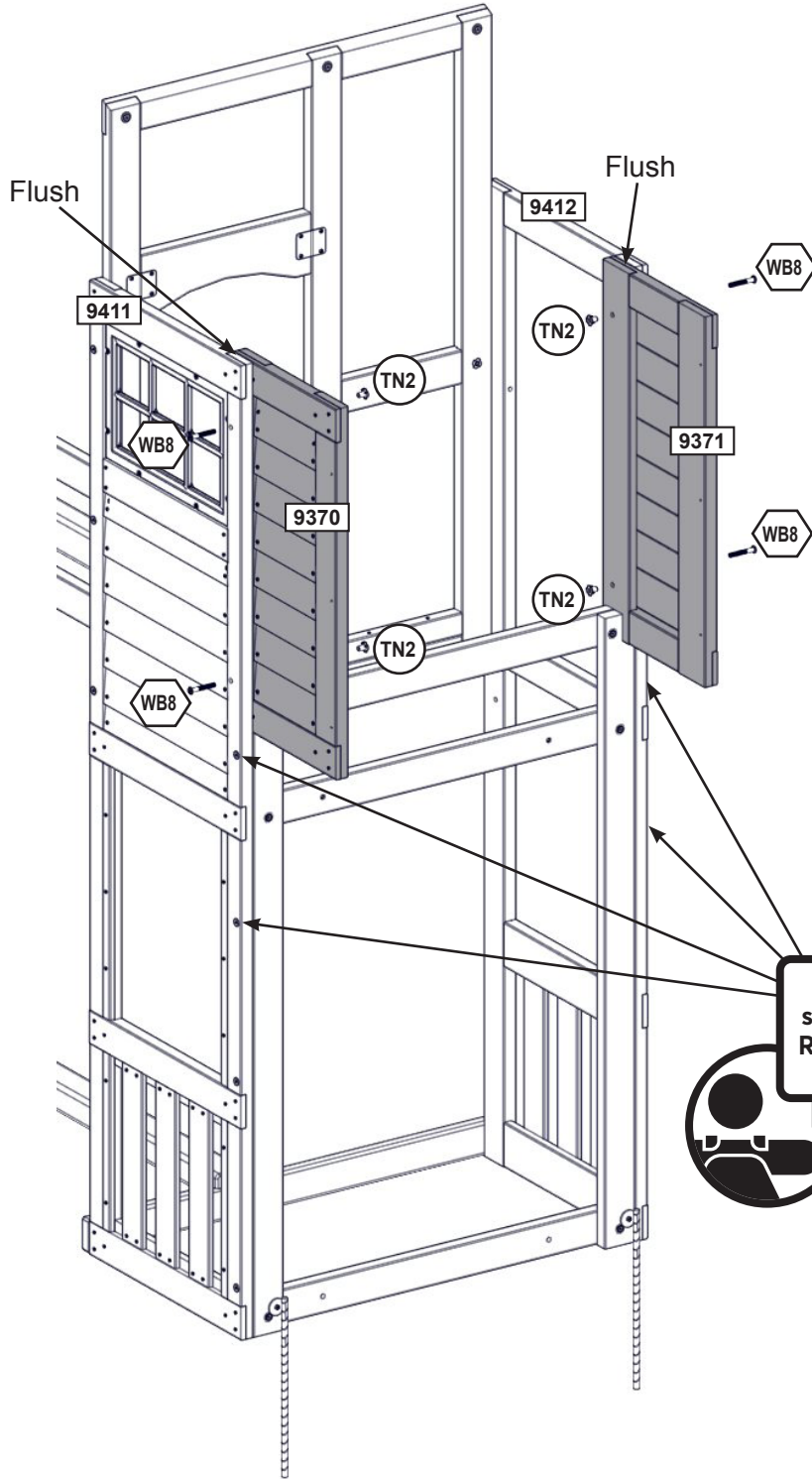
2 x #12 x 50.8mm (#12 x 2 in)

**Other Parts**

2 x

91

Assemble T-Nuts first with hammer!



**Wood Parts**

- 1 x 9370 31.8 x 389.6 x 843.4 mm (1 1/4 x 15 5/16 x 33 3/16 in)
- 1 x 9371 31.8 x 389.6 x 843.4 mm (1 1/4 x 15 5/16 x 33 3/16 in)

**Hardware**

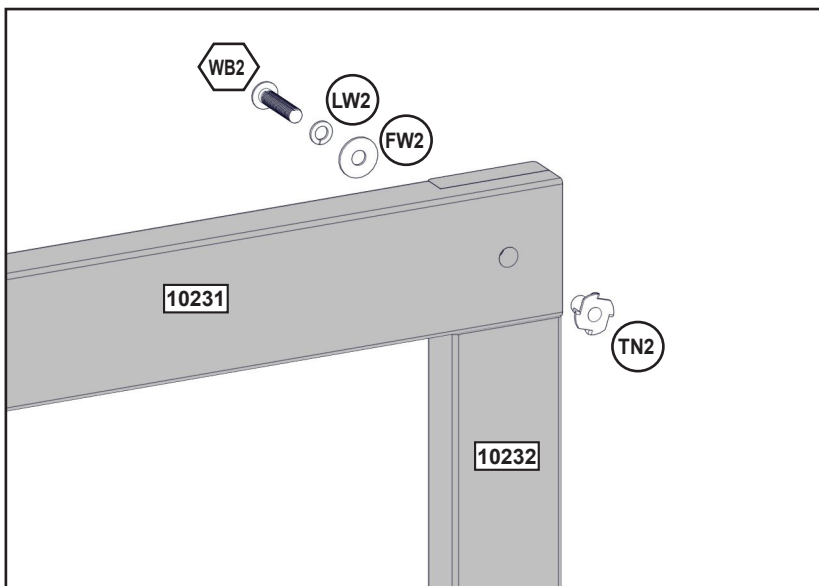
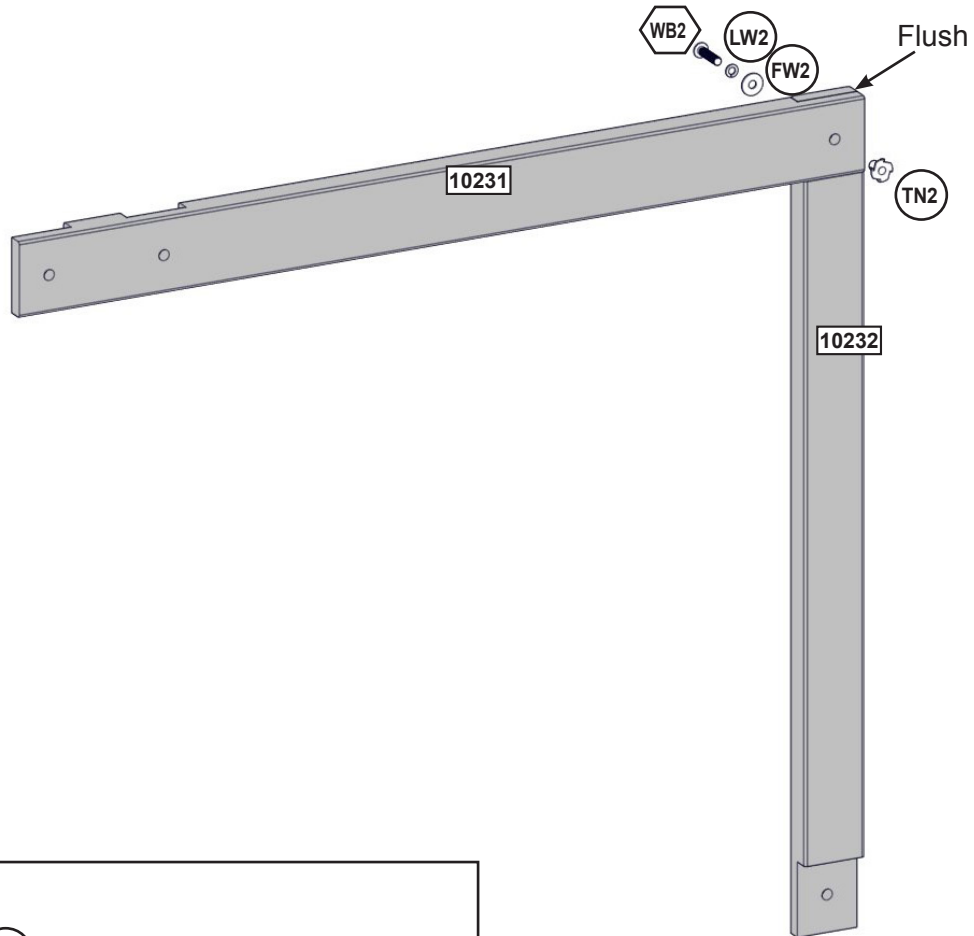
- 4 x WB8 7.9mm x 60.3 mm (5/16 x 2-3/8 in)(TN2)

europecustomerservice@kidkraft.com  
 +31 20 305 8620  
 M-F from 09:00 to 17:30 (GMT+1)

parts.kidkraft.eu



Assemble T-Nuts first with hammer!



**Wood Parts**

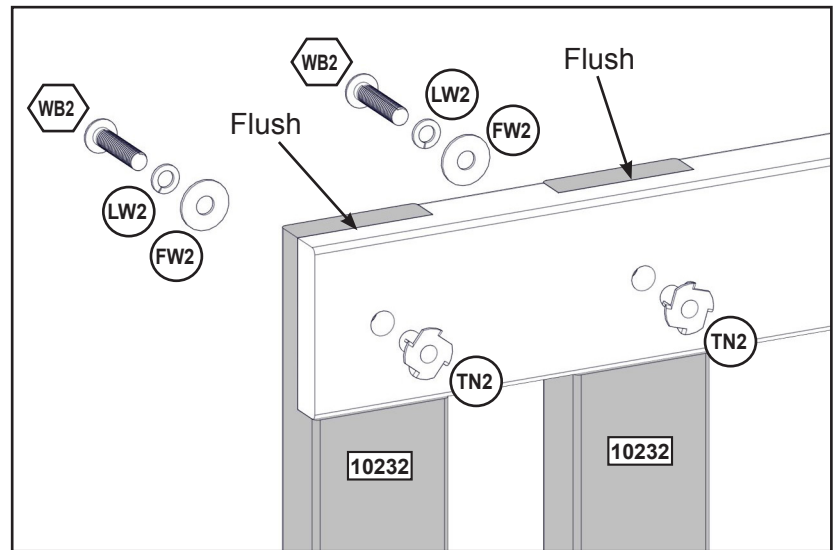
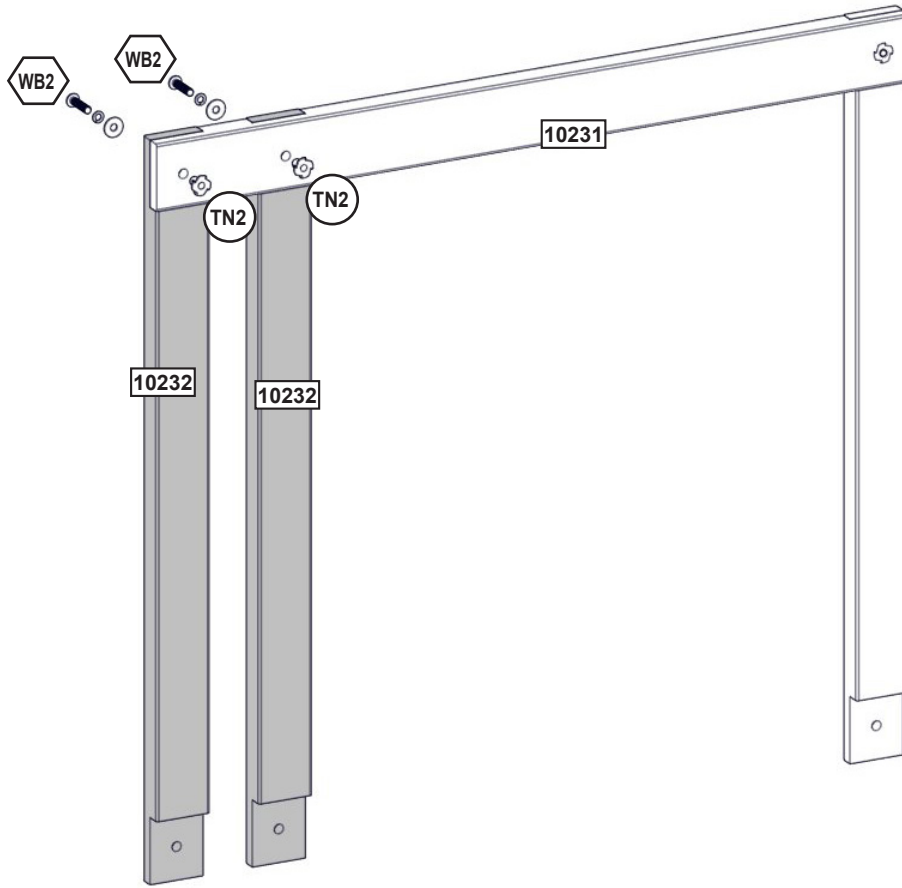
- 1 x 10231 31.8 x 76.2 x 901.5 mm (1 1/4 x 3 x 35 1/2 in)
- 1 x 10232 31.8 x 63.5 x 843.4 mm (1 1/4 x 2 1/2 x 33 3/16 in)

**Hardware**

- 1 x WB2 7.9mm x 34.9 mm (5/16 x 1-3/8 in)(FW2, LW2, TN2)

93

Assemble T-Nuts first with hammer!



**Wood Parts**

2 x **10232** 31.8 x 63.5 x 843.4 mm (1 1/4 x 2 1/2 x 33 3/16 in)

**Hardware**

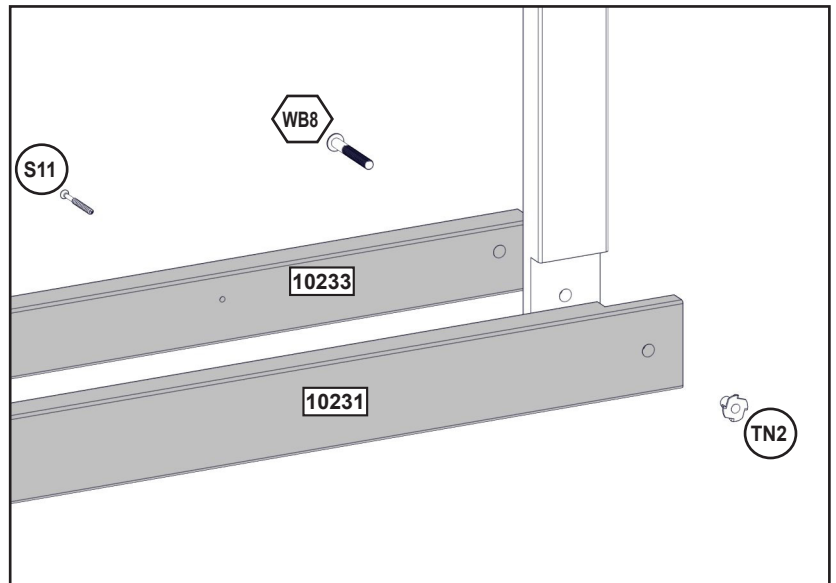
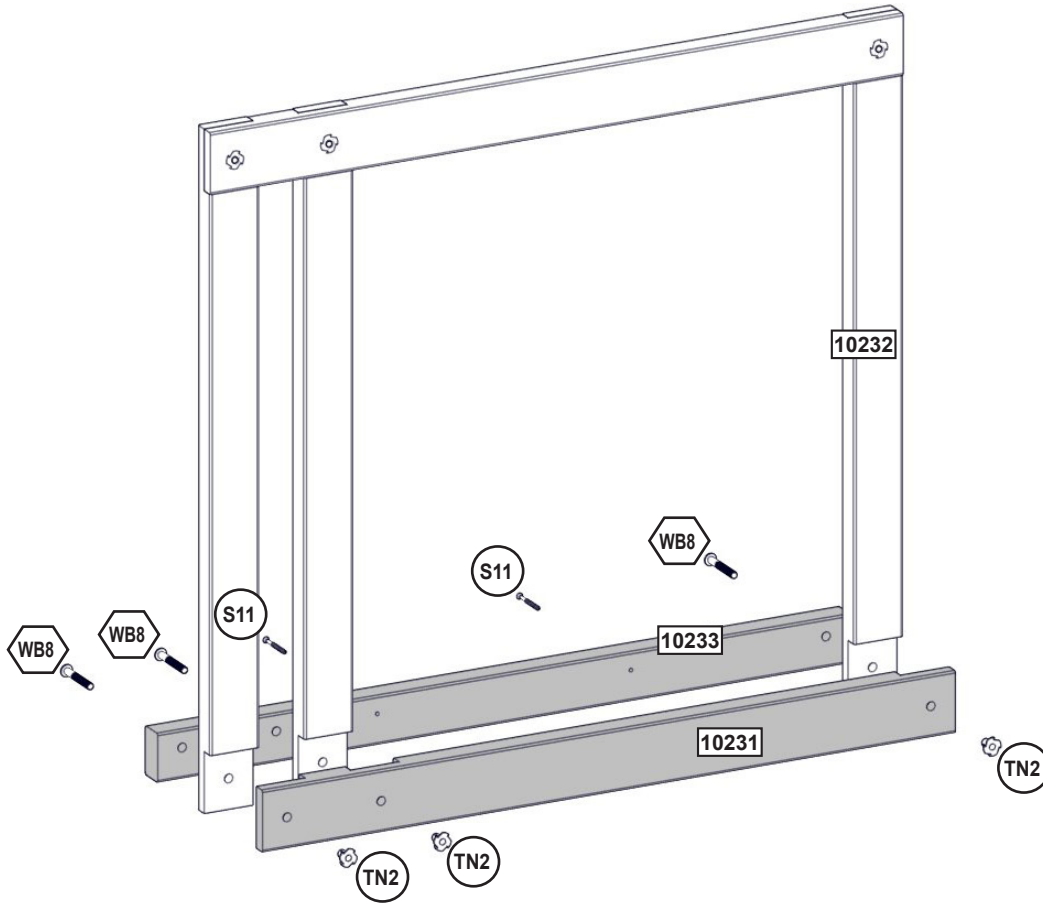
2 x **WB2** 7.9mm x 34.9 mm (5/16 x 1-3/8 in)(FW2, LW2, TN2)

[europcustomerservice@kidkraft.com](mailto:europcustomerservice@kidkraft.com)  
 +31 20 305 8620  
 M-F from 09:00 to 17:30 (GMT+1)

[parts.kidkraft.eu](http://parts.kidkraft.eu)



Assemble T-Nuts first with hammer!



**Wood Parts**

- 1 x **10231** 31.8 x 76.2 x 901.5 mm (1 1/4 x 3 x 35 1/2 in)
- 1 x **10233** 31.8 x 60.3 x 901.5 mm (1 1/4 x 2 3/8 x 35 1/2 in)

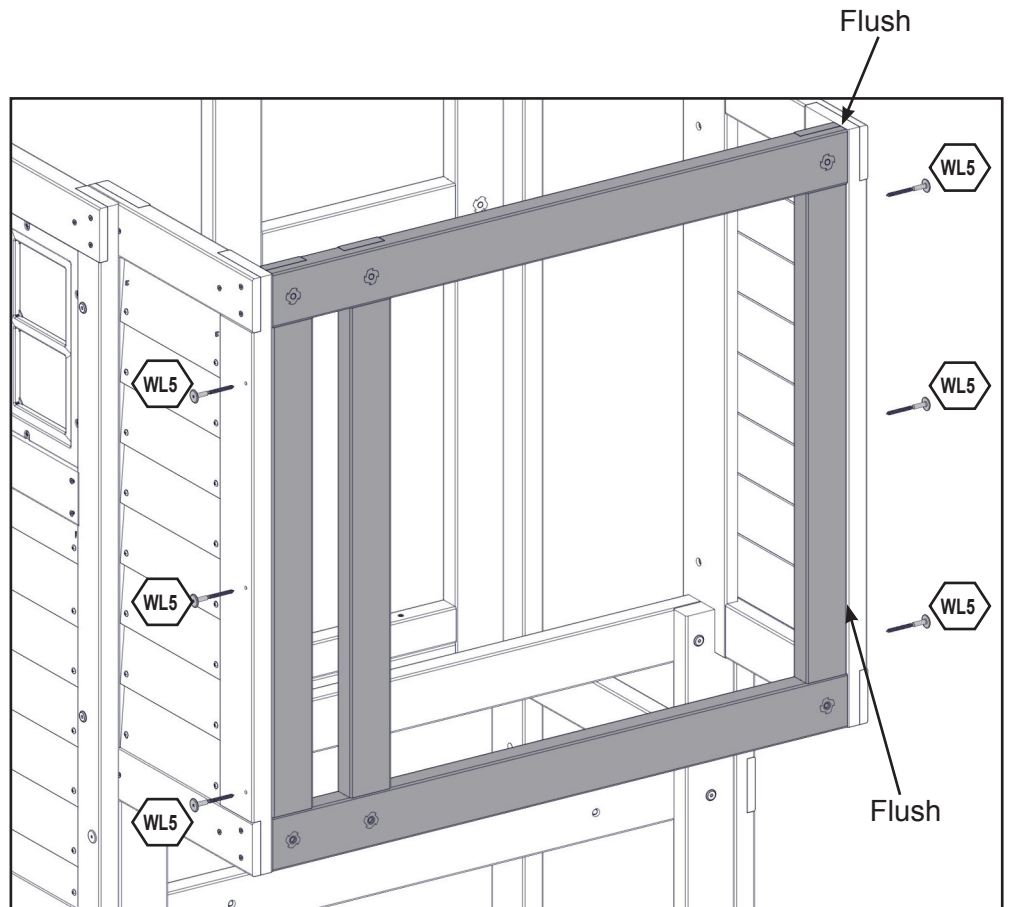
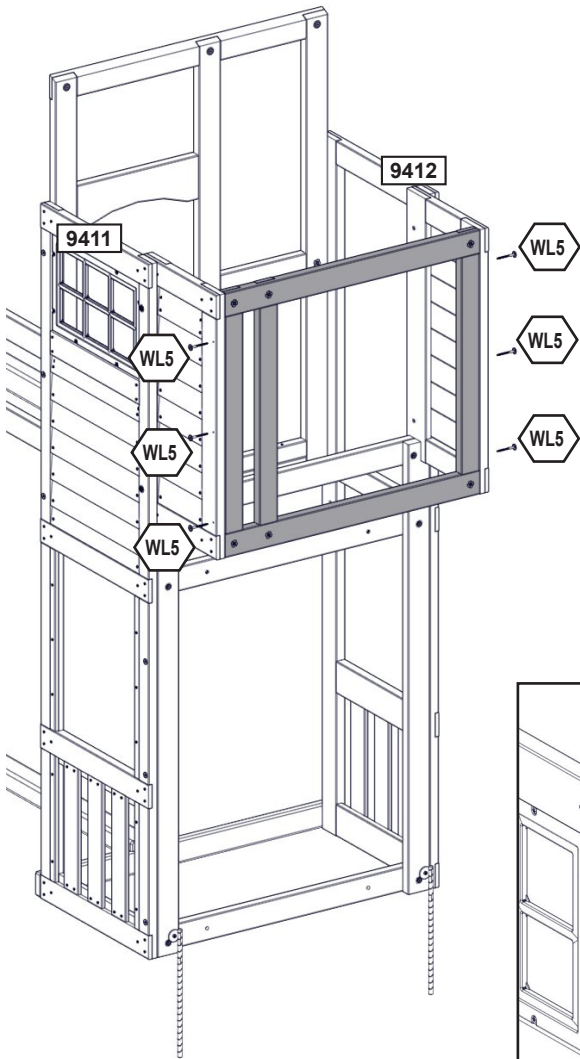
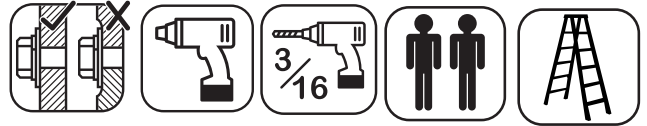
**Hardware**

- 3 x **WB8** 7.9mm x 60.3 mm (5/16 x 2-3/8 in)(TN2)
- 2 x **S11** #8 x 50.8mm (#8 x 2 in)




95

Pre-drill holes using a 3/16 in drill bit.



**Hardware**

6 x  6.4mm x 63.5 mm (1/4 x 2-1/2 in)

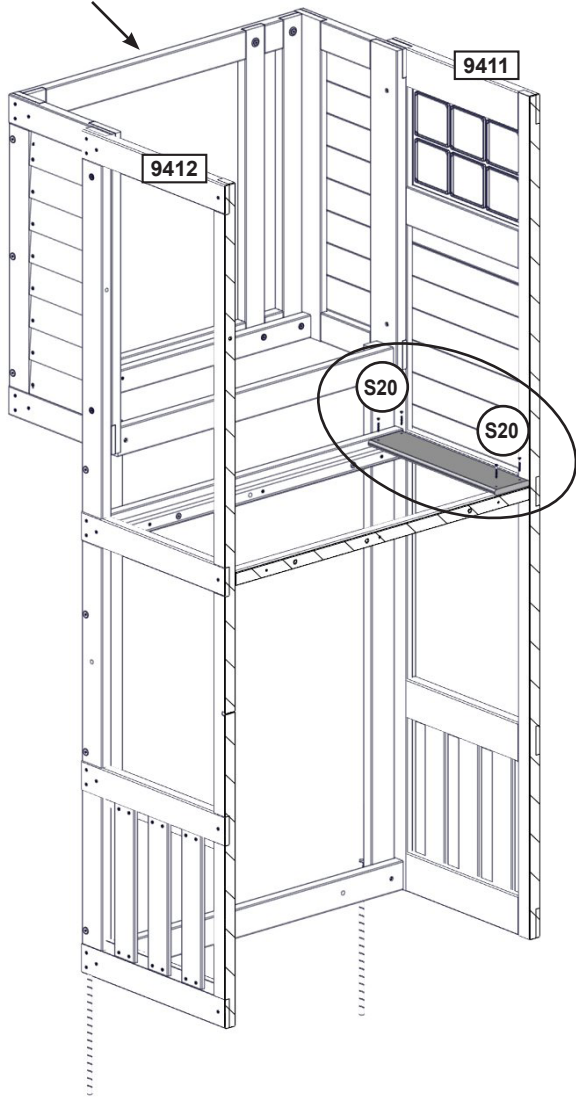
europcustomerservice@kidkraft.com  
+31 20 305 8620  
M-F from 09:00 to 17:30 (GMT+1)

parts.kidkraft.eu

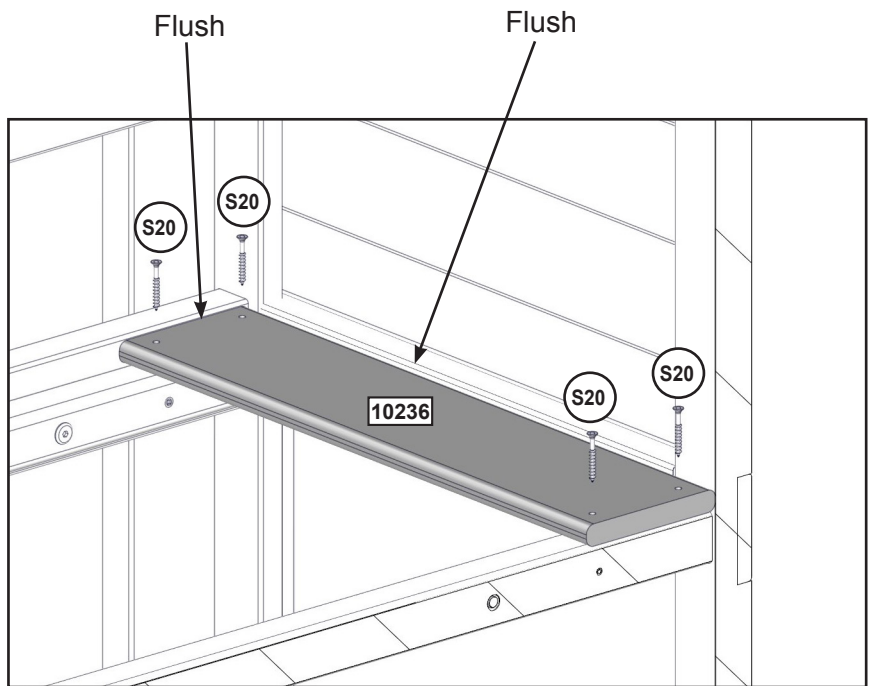




Tube Slide Side



Note: Structure partly removed for clarity.



**Wood Parts**

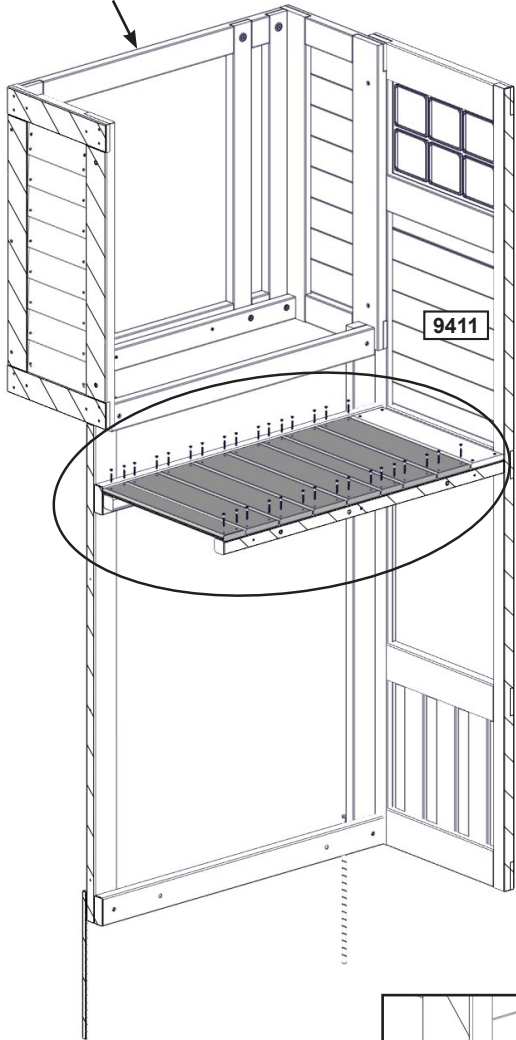
1 x 10236 15.9 x 114.3 x 479.2 mm (5/8 x 4 1/2 x 18 7/8 in)

**Hardware**

4 x S20 #8 x 35mm (#8 x 1-3/8 in)

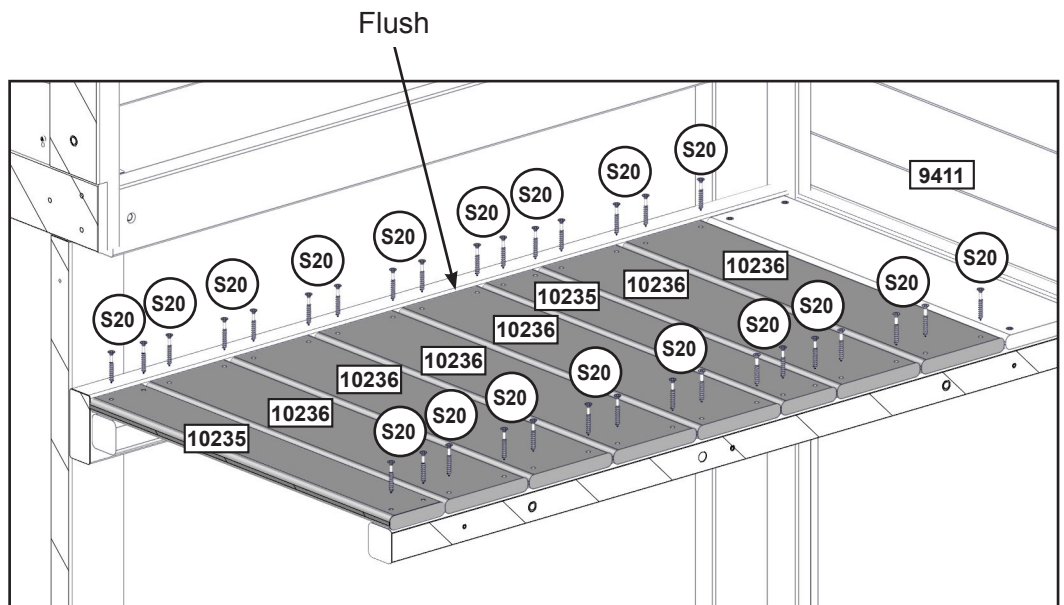


Tube Slide Side



**Note: Structure partly removed for clarity.**

**Evenly space the boards**



**Wood Parts**

- 2 x 15.9 x 76.2 x 479.2 mm (5/8 x 3 x 18 7/8 in)
- 6 x 15.9 x 114.3 x 479.2 mm (5/8 x 4 1/2 x 18 7/8 in)

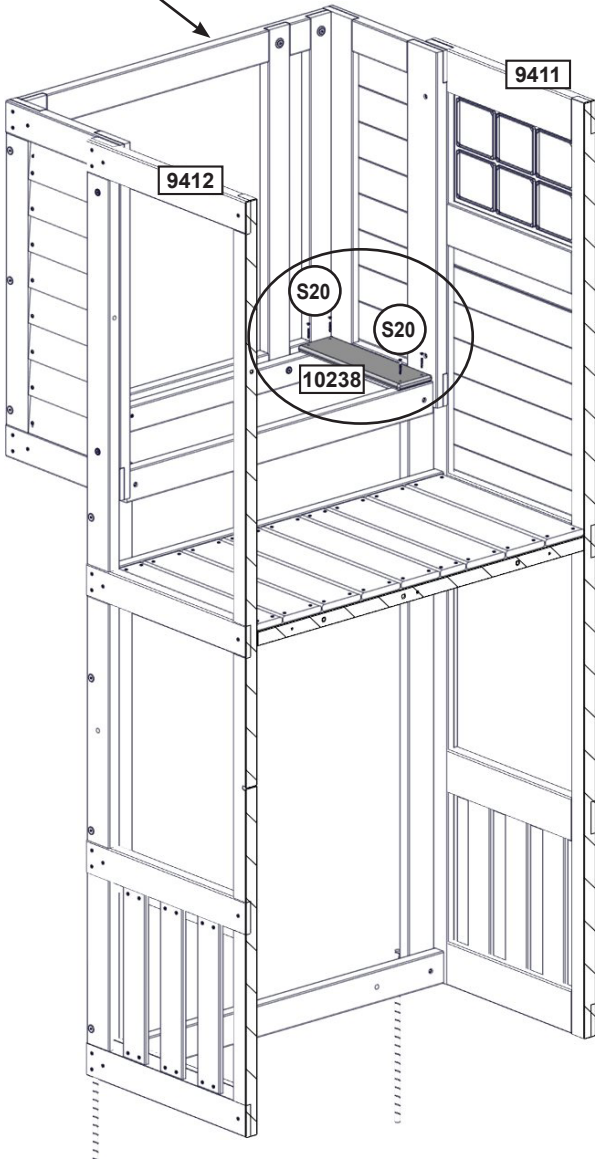
**Hardware**

- 32 x #8 x 35mm (#8 x 1-3/8 in)

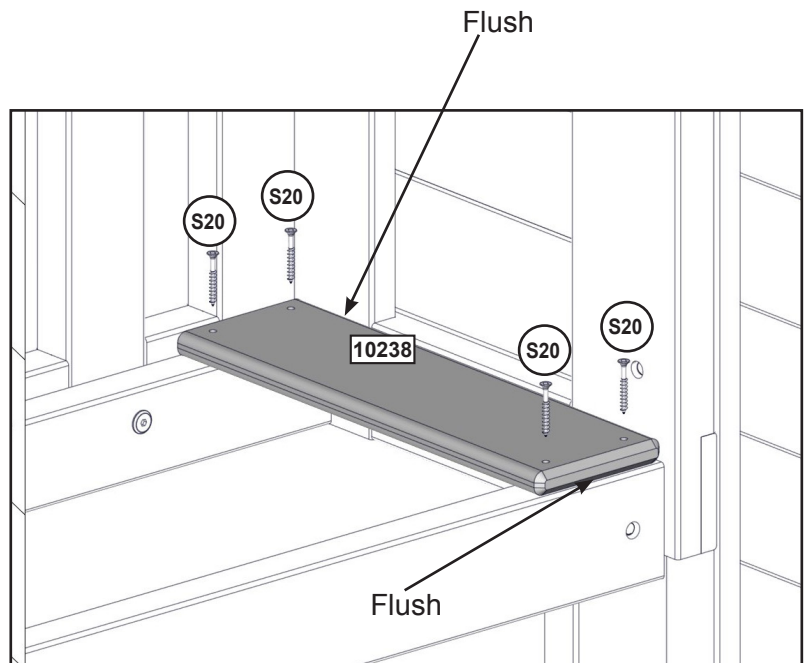




Tube Slide Side



Note: Structure partly removed for clarity.



**Wood Parts**

1 x 10238 15.9 x 101.6 x 345.2 mm (5/8 x 4 x 13 9/16 in)

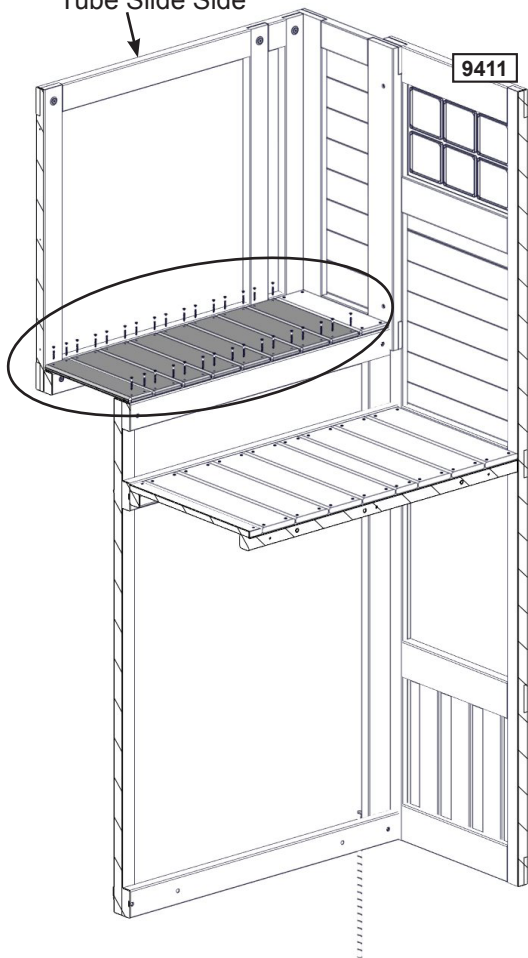
**Hardware**

4 x S20 #8 x 35mm (#8 x 1-3/8 in)

99

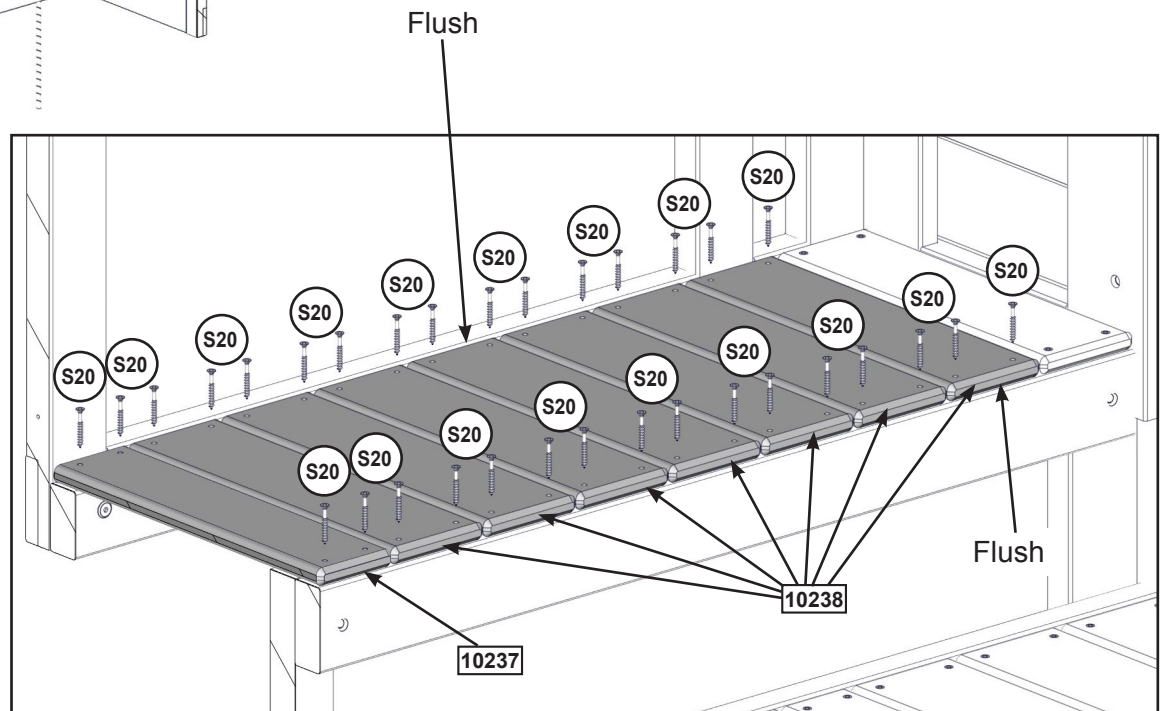


Tube Slide Side



**Note: Structure partly removed for clarity.**

**Evenly space the boards**



**Wood Parts**

- 1 x 10237 15.9 x 82.6 x 345.2 mm (5/8 x 3 1/4 x 13 9/16 in)
- 7 x 10238 15.9 x 101.6 x 345.2 mm (5/8 x 4 x 13 9/16 in)

**Hardware**

- 32 x S20 #8 x 35mm (#8 x 1-3/8 in)

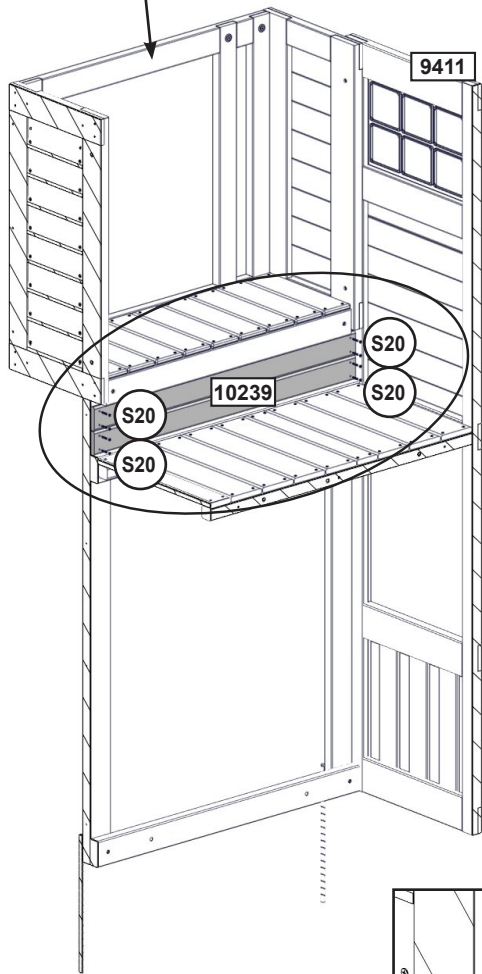
europecustomerservice@kidkraft.com  
 +31 20 305 8620  
 M-F from 09:00 to 17:30 (GMT+1)

parts.kidkraft.eu



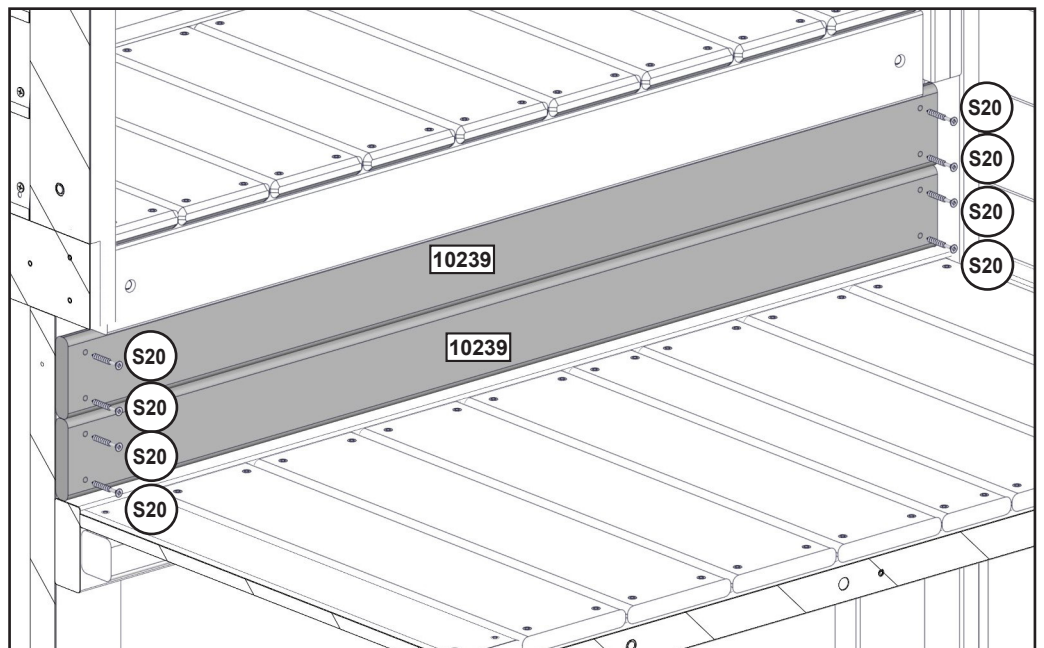


Tube Slide Side



**Note: Structure partly removed for clarity.**

**Evenly space the boards**

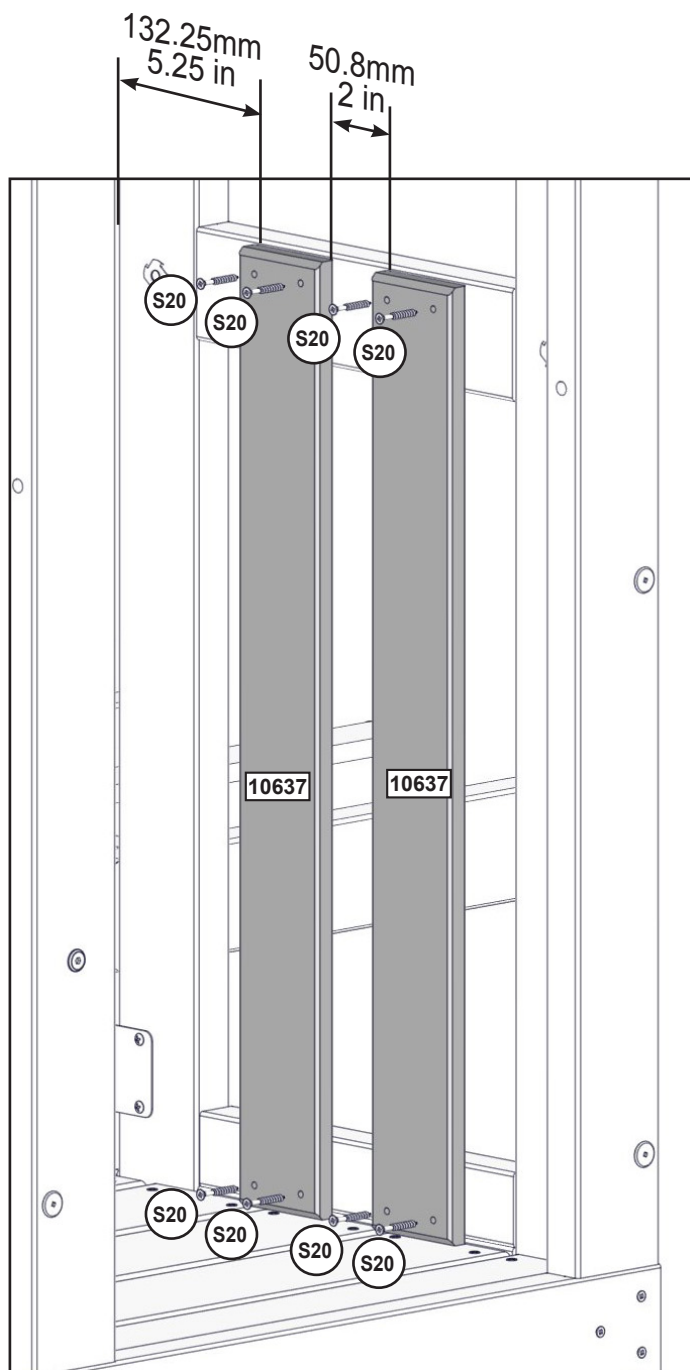
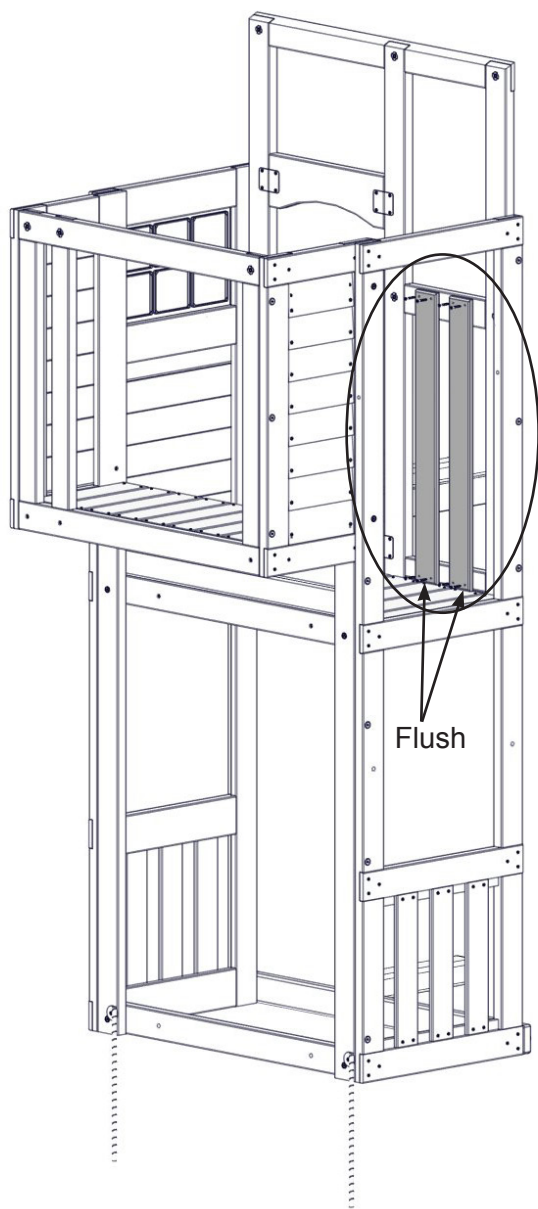


**Wood Parts**

2 x 10239 15.9 x 72.6 x 961.1 mm (5/8 x 2 7/8 x 37 13/16 in)

**Hardware**

8 x S20 #8 x 35mm (#8 x 1-3/8 in)



**Wood Parts**

2 x 15.9 x 76.2 x 723 mm (5/8 x 3 x 28 7/16 in)

**Hardware**

8 x #8 x 35mm (#8 x 1-3/8 in)

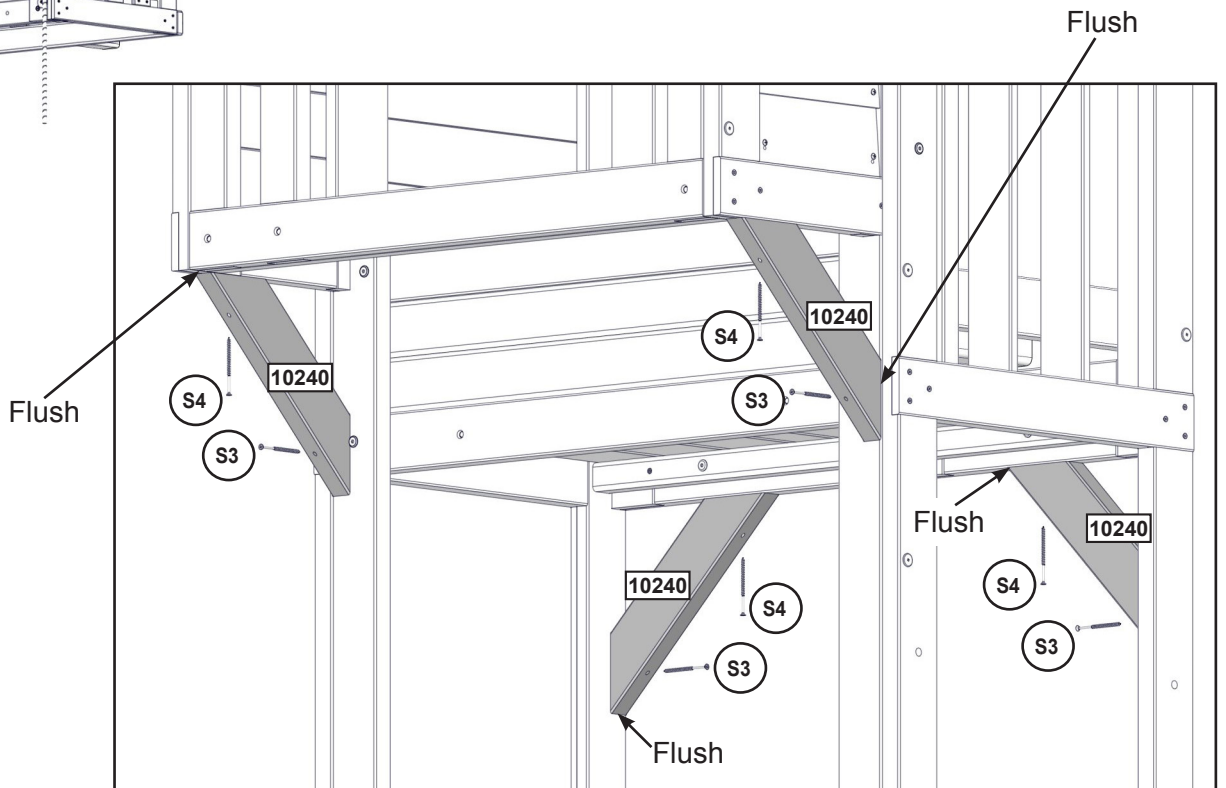
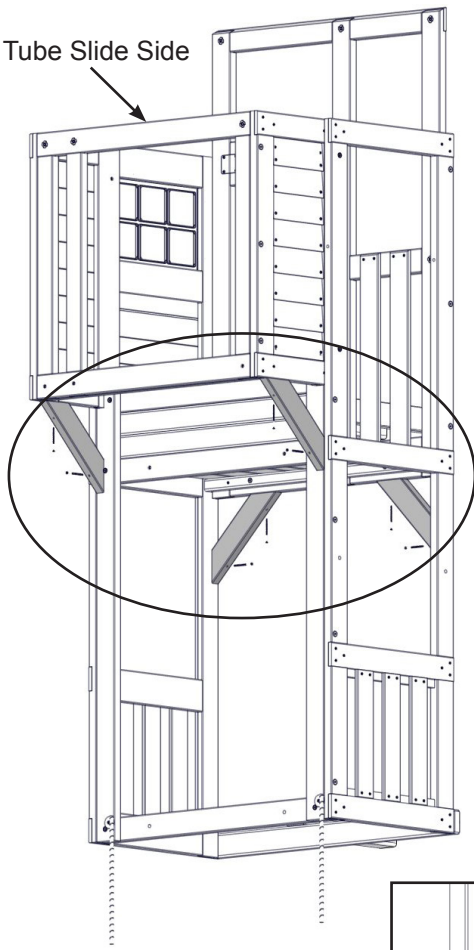


102

Note: Structure partly removed for clarity.



Tube Slide Side



**Wood Parts**

4 x 10240 31.8 x 76.2 x 381 mm (1 1/4 x 3 x 15 in)

**Hardware**

4 x S4 #8 x 76.2mm (#8 x 3 in)

4 x S3 #8 x 63.5mm (#8 x 2-1/2 in)



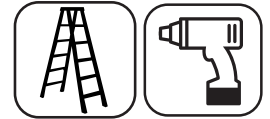
**KidKraft**  
MADE FOR MAKE BELIEVE™

parts.kidkraft.com

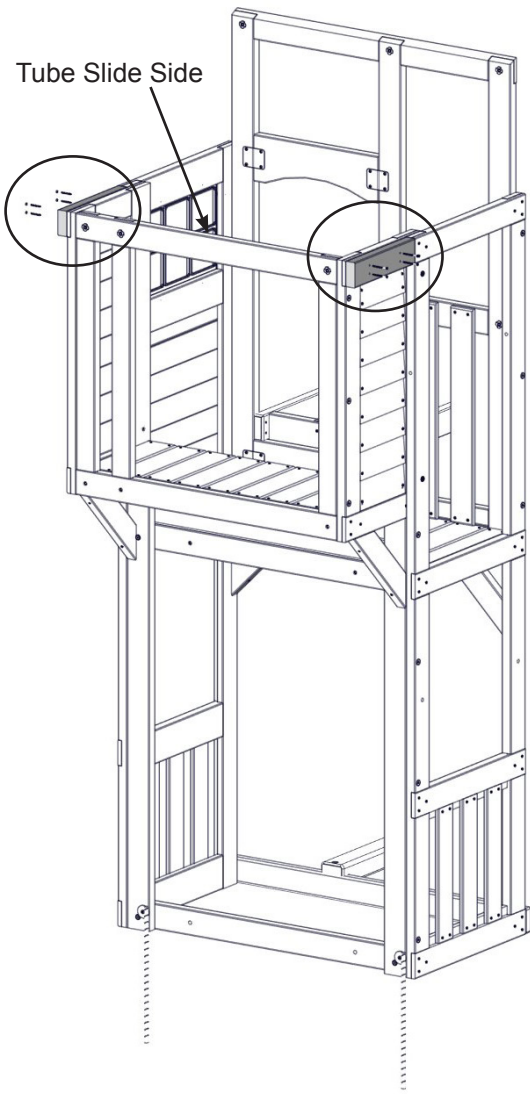
customerservice@kidkraft.com  
1.800.933.0771  
972.385.0100



103



Tube Slide Side



Note: Structure partly removed for clarity.



**Wood Parts**

2 x 10263 31.8 x 76.2 x 312 mm (1 1/4 x 3 x 12 5/6 in)

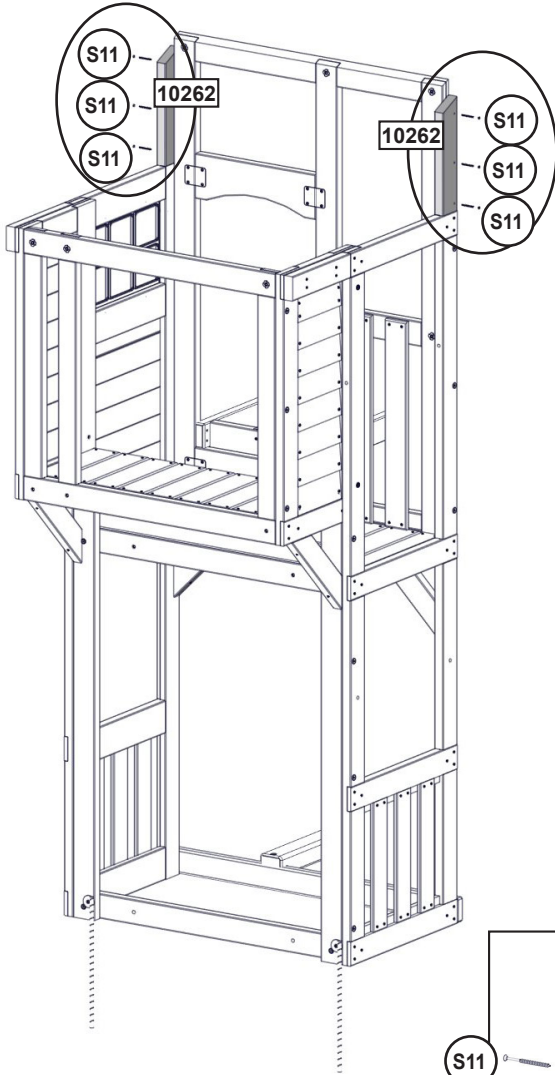
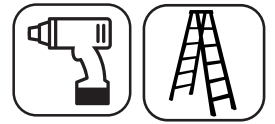
**Hardware**

8 x S11 #8 x 50.8mm (#8 x 2 in)

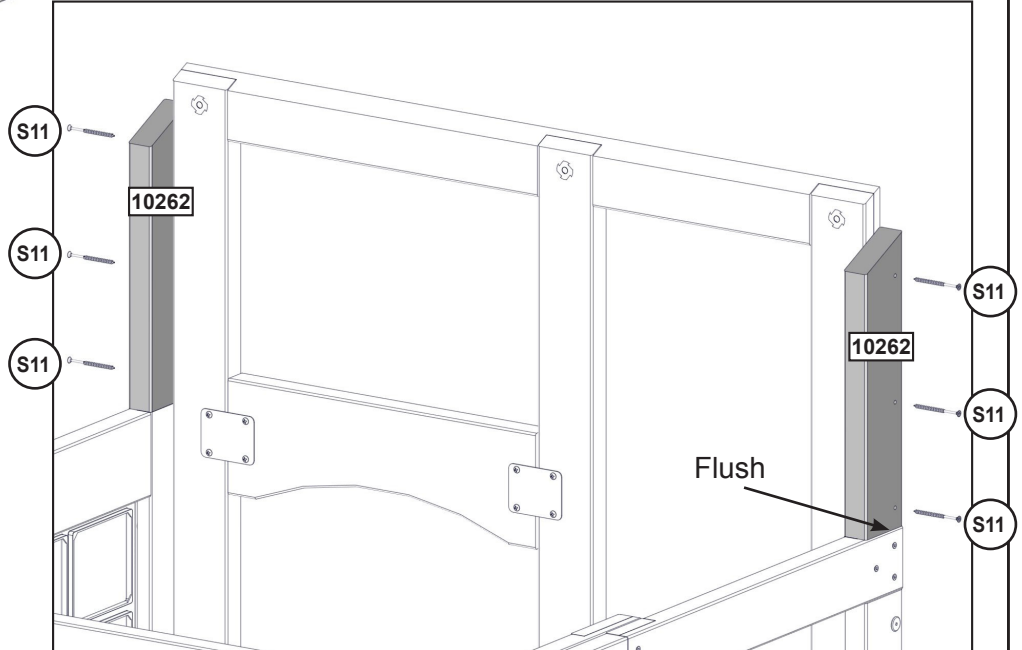
europecustomerservice@kidkraft.com  
+31 20 305 8620  
M-F from 09:00 to 17:30 (GMT+1)

parts.kidkraft.eu





Note: Structure partly removed for clarity.

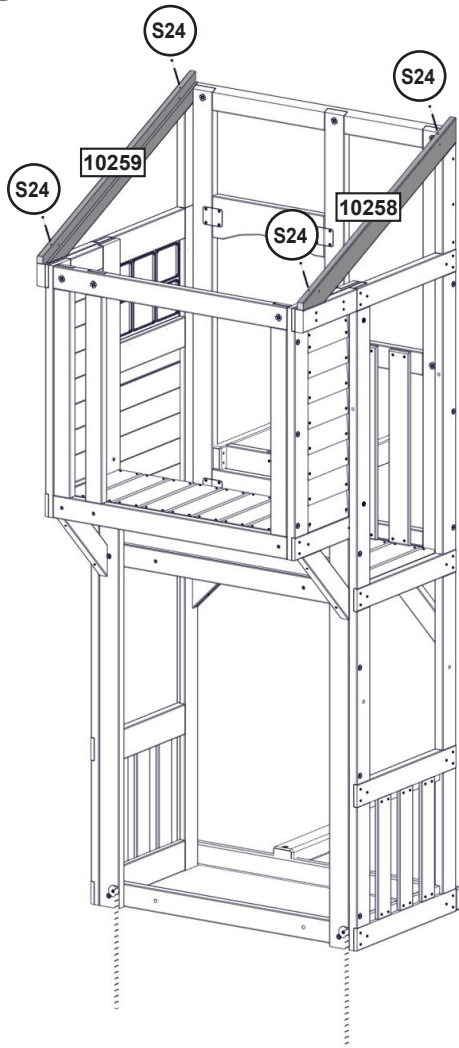


**Wood Parts**

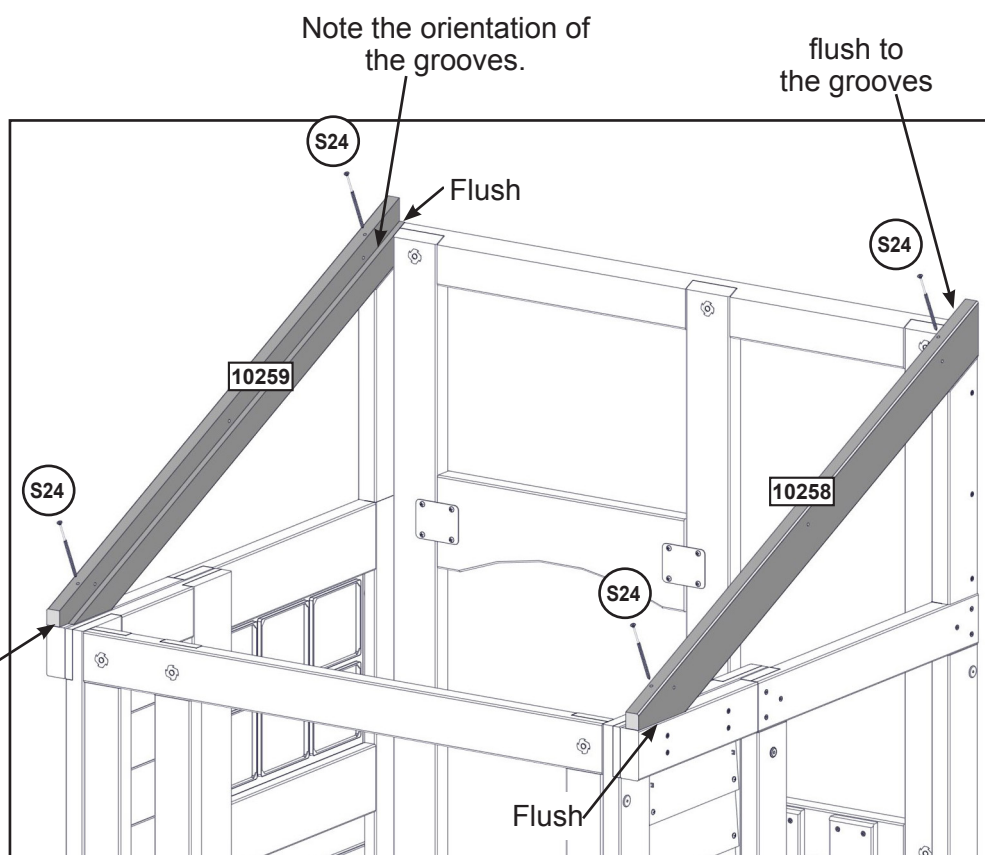
2 x 10262 31.8 x 76.2 x 355 mm (1 1/4 x 3 x 14 in)

**Hardware**

6 x S11 #8 x 50.8mm (#8 x 2 in)



**Note: Structure partly removed for clarity.**



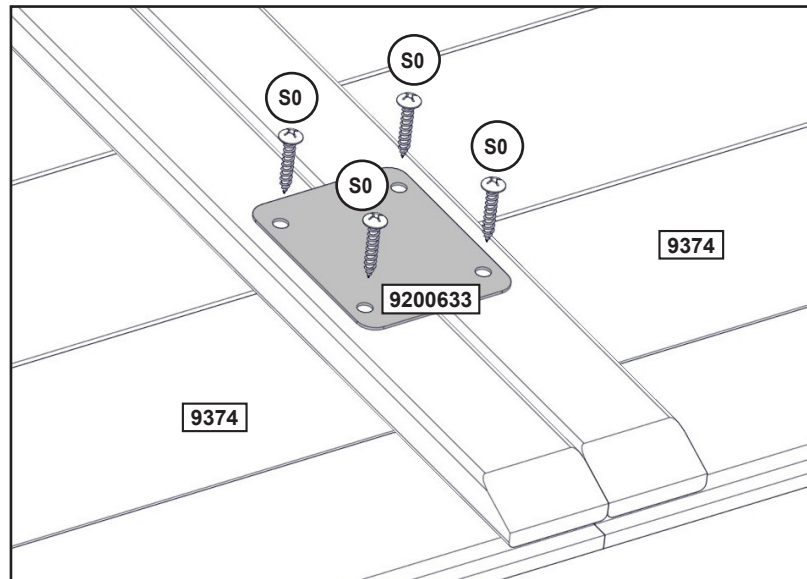
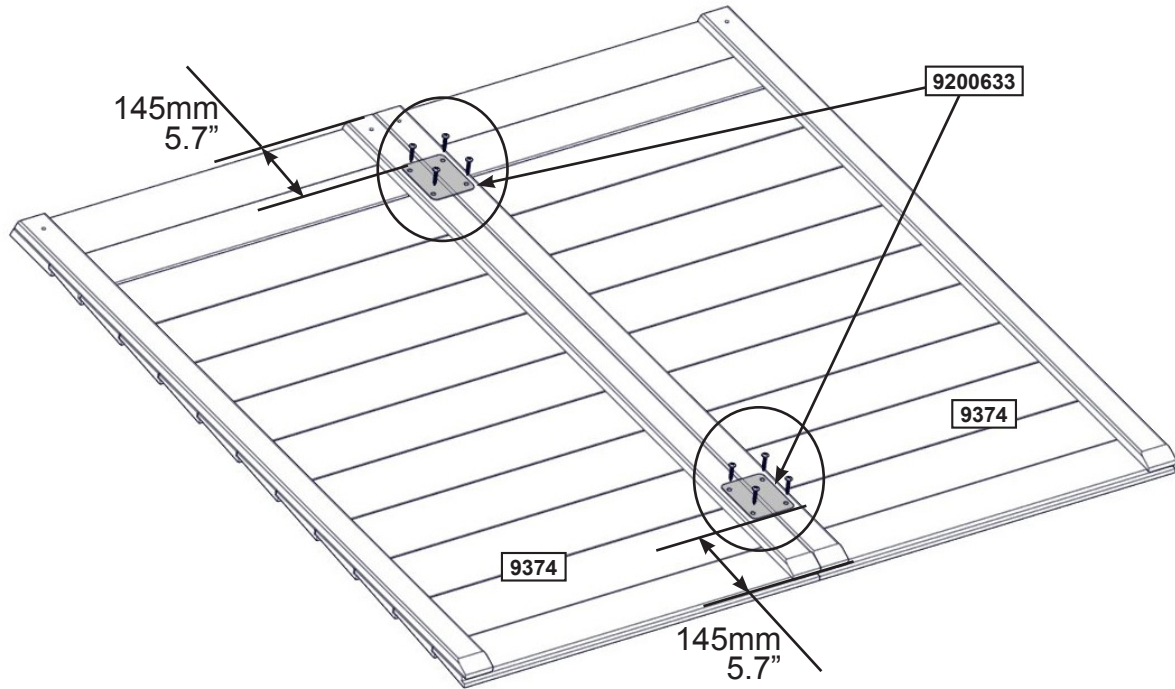
**Wood Parts**

- 1 x 10258 31.8 x 76.2 x 991.4 mm (1 1/4 x 3 x 39 1/16 in)
- 1 x 10259 31.8 x 76.2 x 991.4 mm (1 1/4 x 3 x 39 1/16" in)

**Hardware**

- 4 x S24 #10 x 101.6mm (#10 x 4 in)





**Wood Parts**

2 x 9374 28.6 x 979.8 x 492.1mm (1 1/8" x 38 9/16" x 19 3/8")

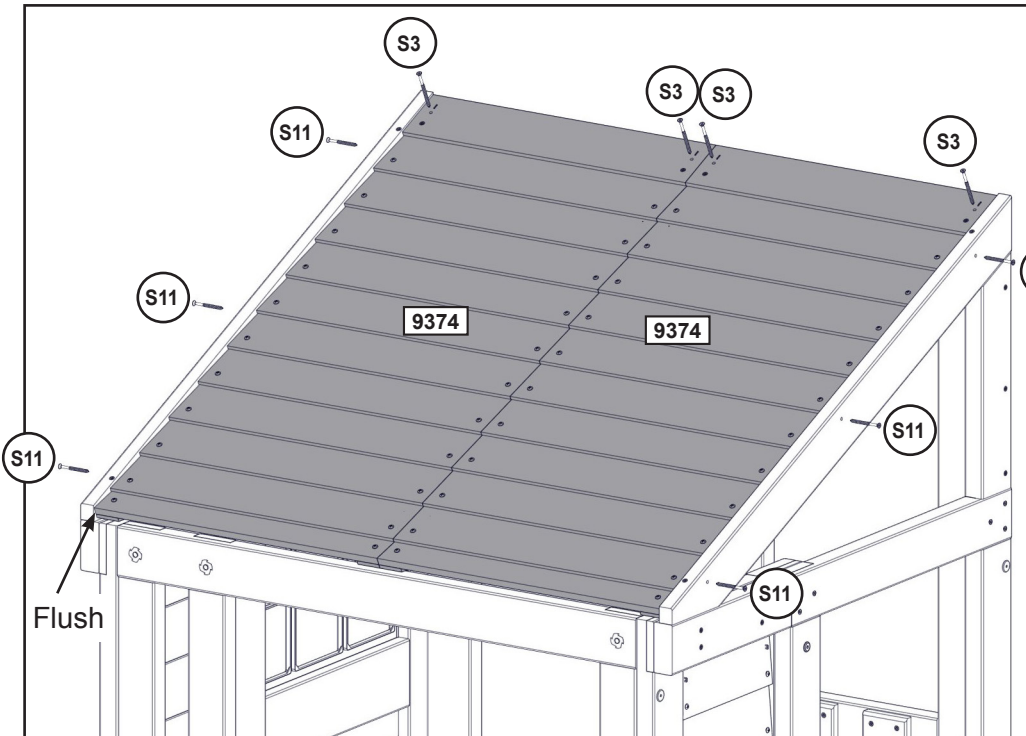
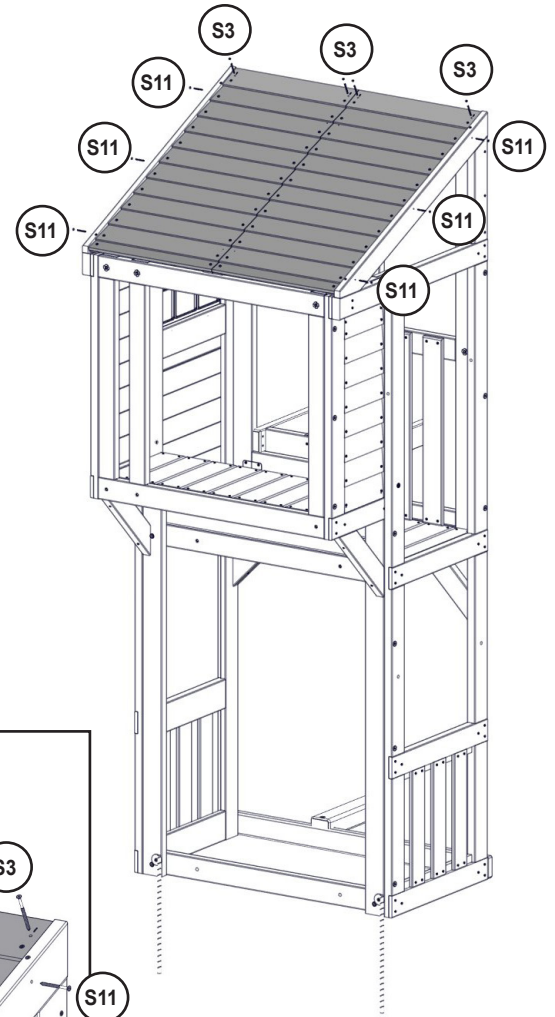
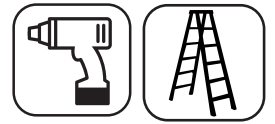
**Hardware**

8 x S0 #8 x 22.2mm (#8 x 7/8 in)

**Other Parts**

2 x 9200633

Note: Structure partly removed for clarity.



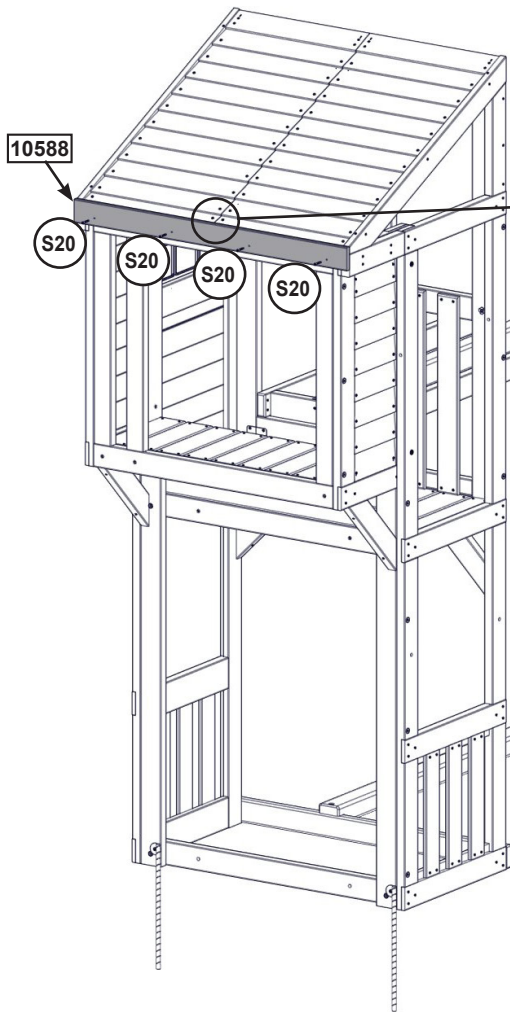
**Hardware**

4 x #8 x 63.5mm (#8 x 2-1/2 in)

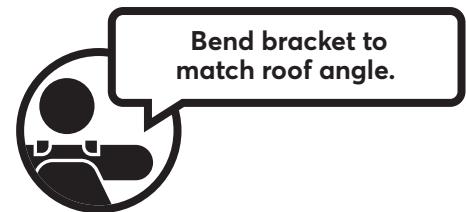
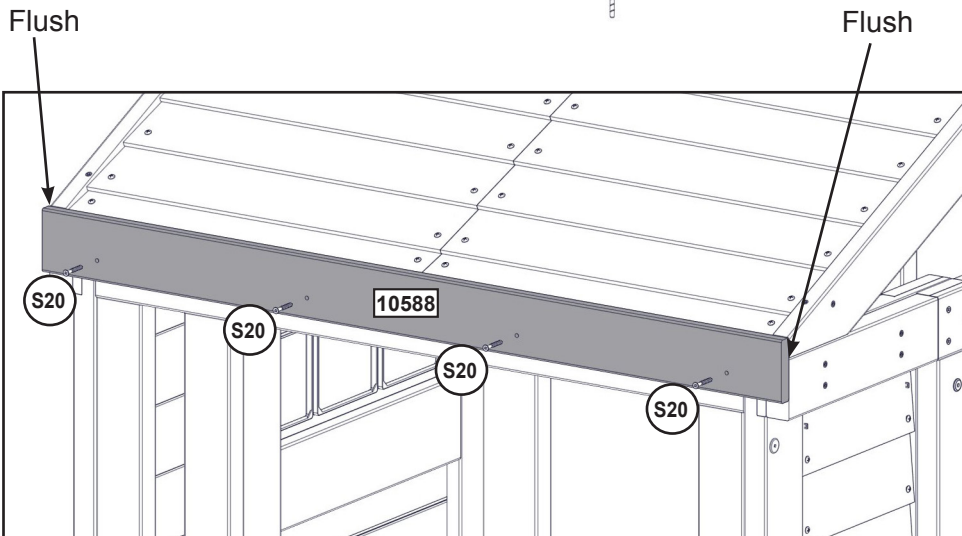
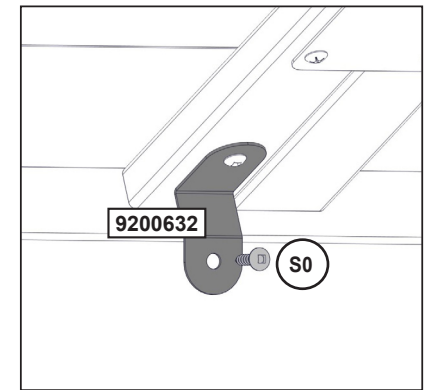
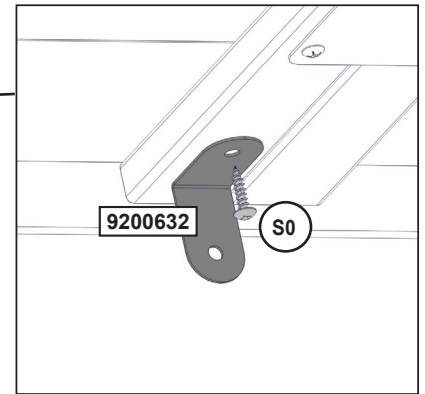
6 x #8 x 50.8mm (#8 x 2 in)



Note: Structure partly removed for clarity.



Inside View



Wood Parts

1 x 10588 15.9 x 76.2 x 1028.7 mm (5/8 x 3 x 40 1/2 in)

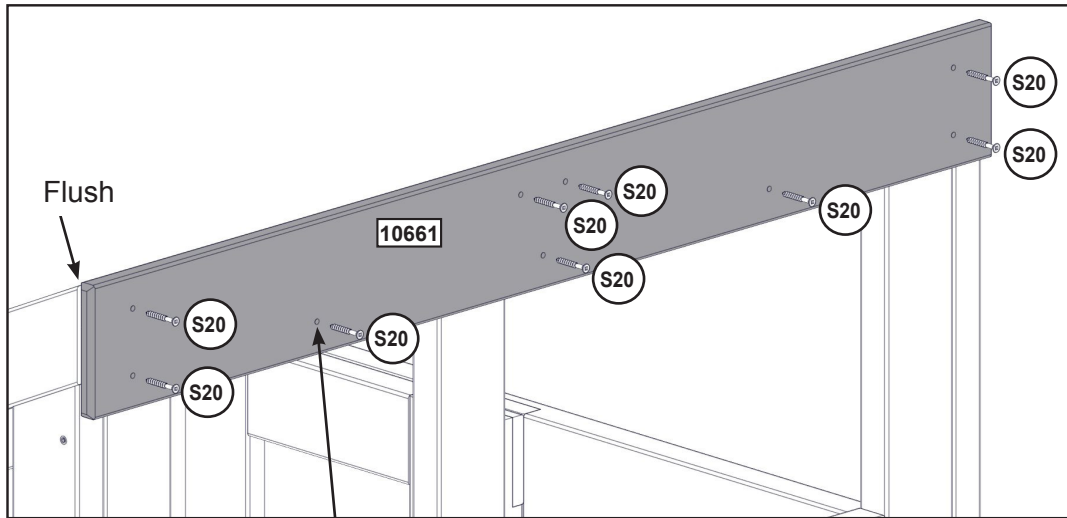
Hardware

4 x S20 #8 x 34.9mm (#8 x 1-3/8 in)  
2 x S0 #8 x 22.2mm (#8 x 7/8 in)

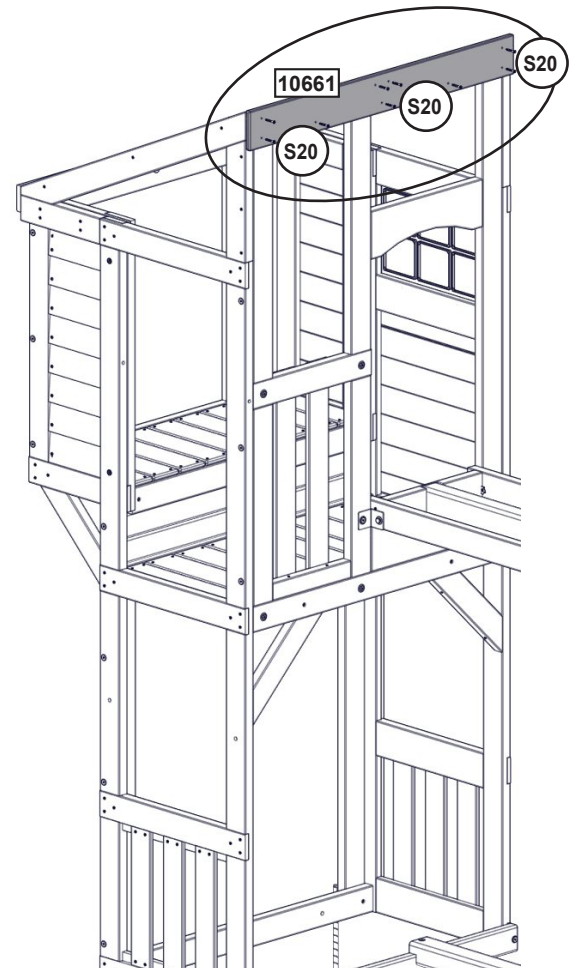
Other Parts

1 x 9200632

Note: Structure partly removed for clarity.



Note hole orientation



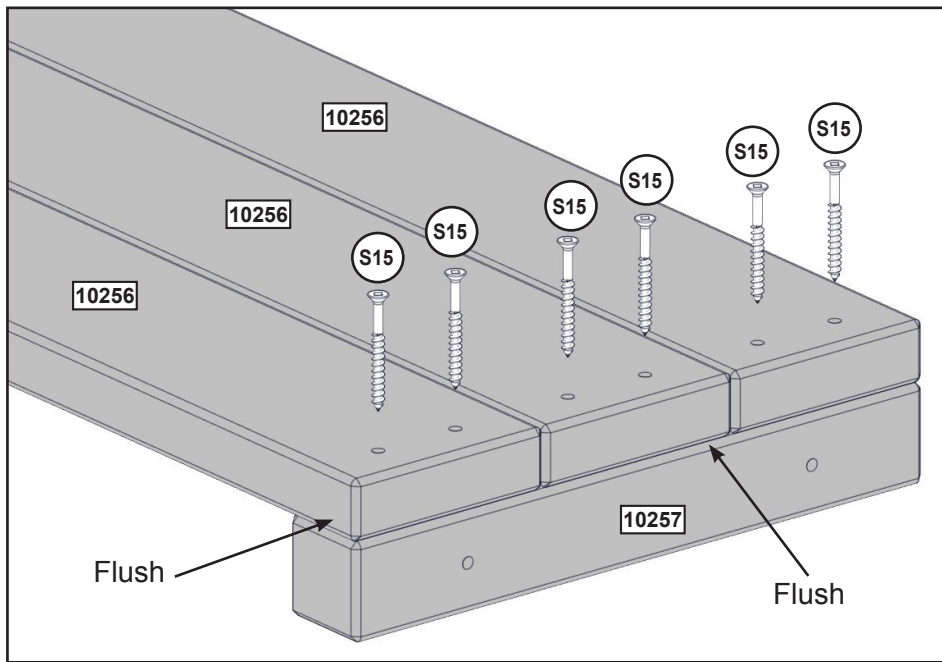
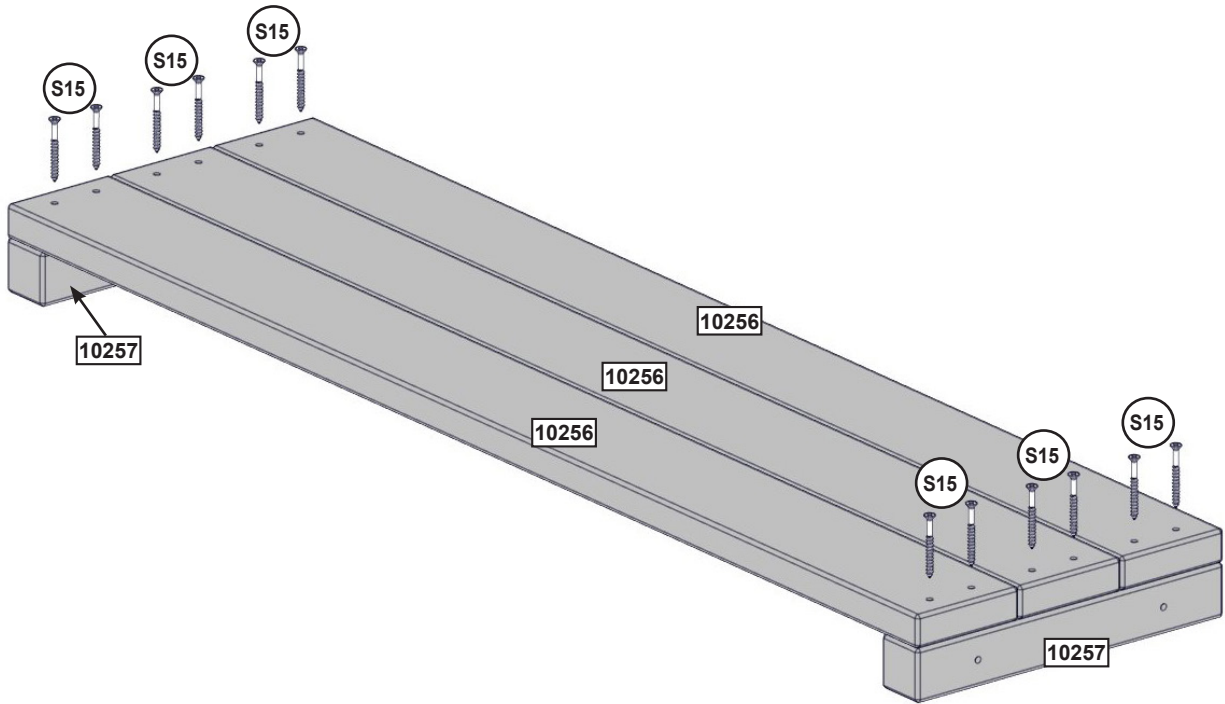
**Wood Parts**

1 x 15.9 x 114.3 x 1028.7 mm (5/8 x 4 1/2 x 40 1/2 in)

**Hardware**

9 x #8 x 34.9mm (#8 x 1-3/8 in)





**Wood Parts**

- 3 x 10256 23.8 x 85.7 x 963.2 mm (15/16 x 3 3/8 x 37 15/16 in)
- 2 x 10257 38.1 x 38.1 x 257.1 mm (1 1/2 x 1 1/2 x 10 1/8 in)

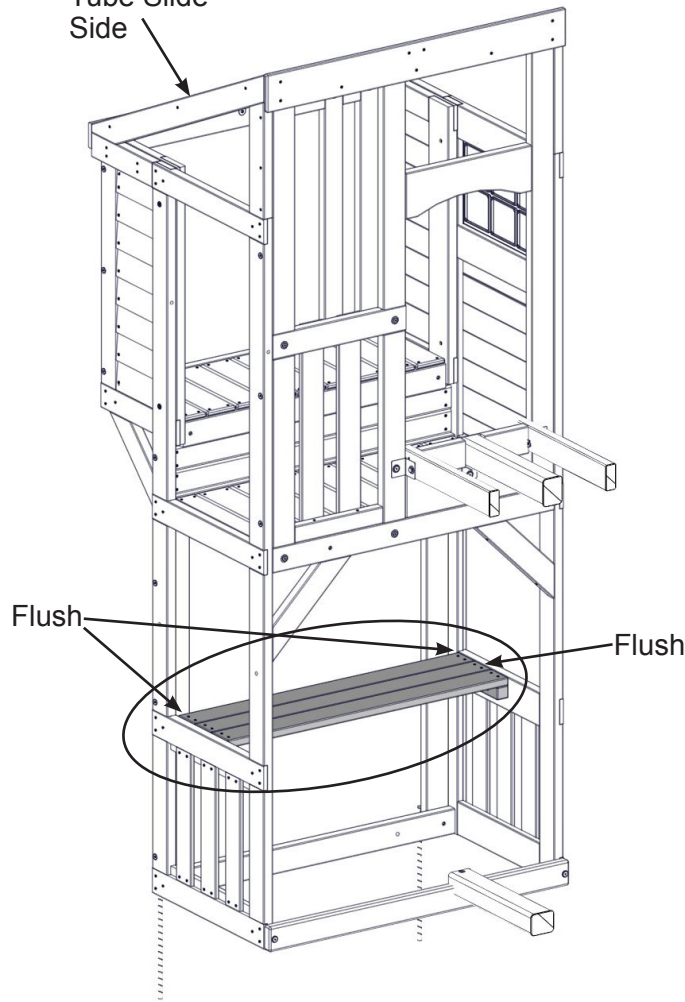
**Hardware**

- 12 x S15 #8 x 44.5mm (#8 x 1-3/4 in)





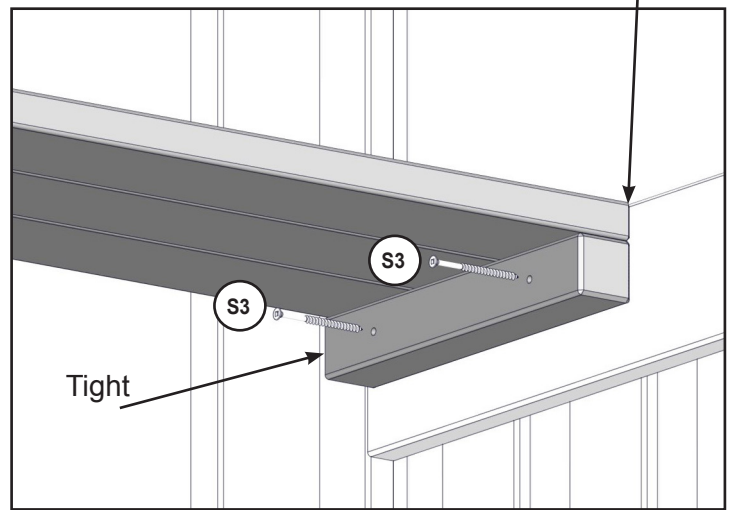
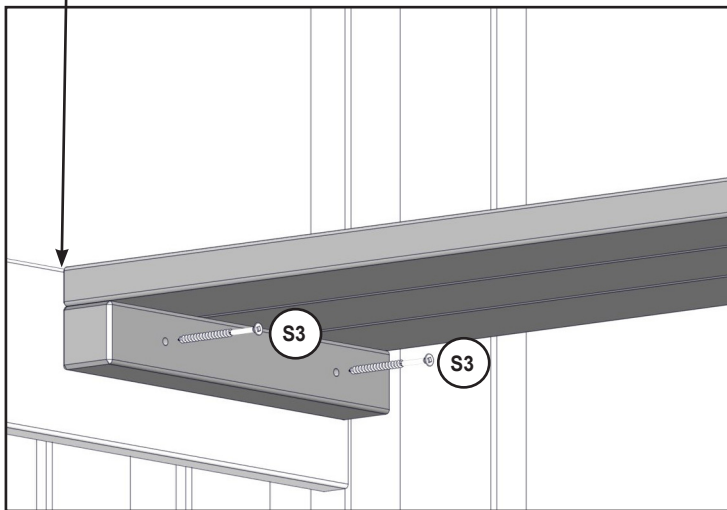
Tube Slide Side



Note: Structure partly removed for clarity.

Flush

Flush



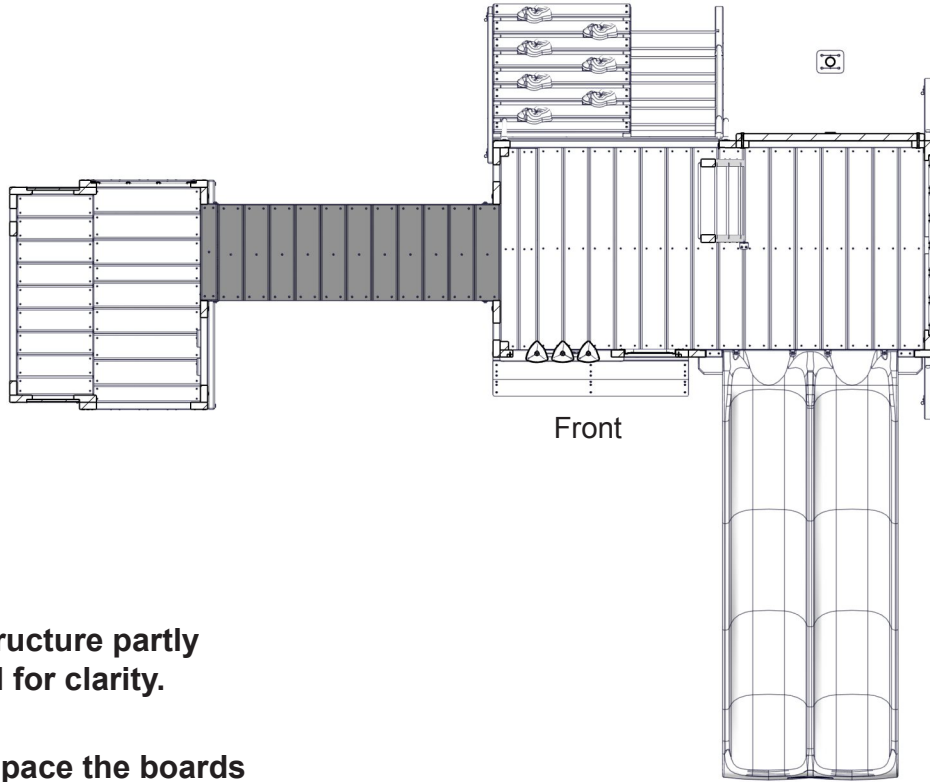
**Hardware**

4 x  #8 x 64mm (#8 x 2-1/2 in)



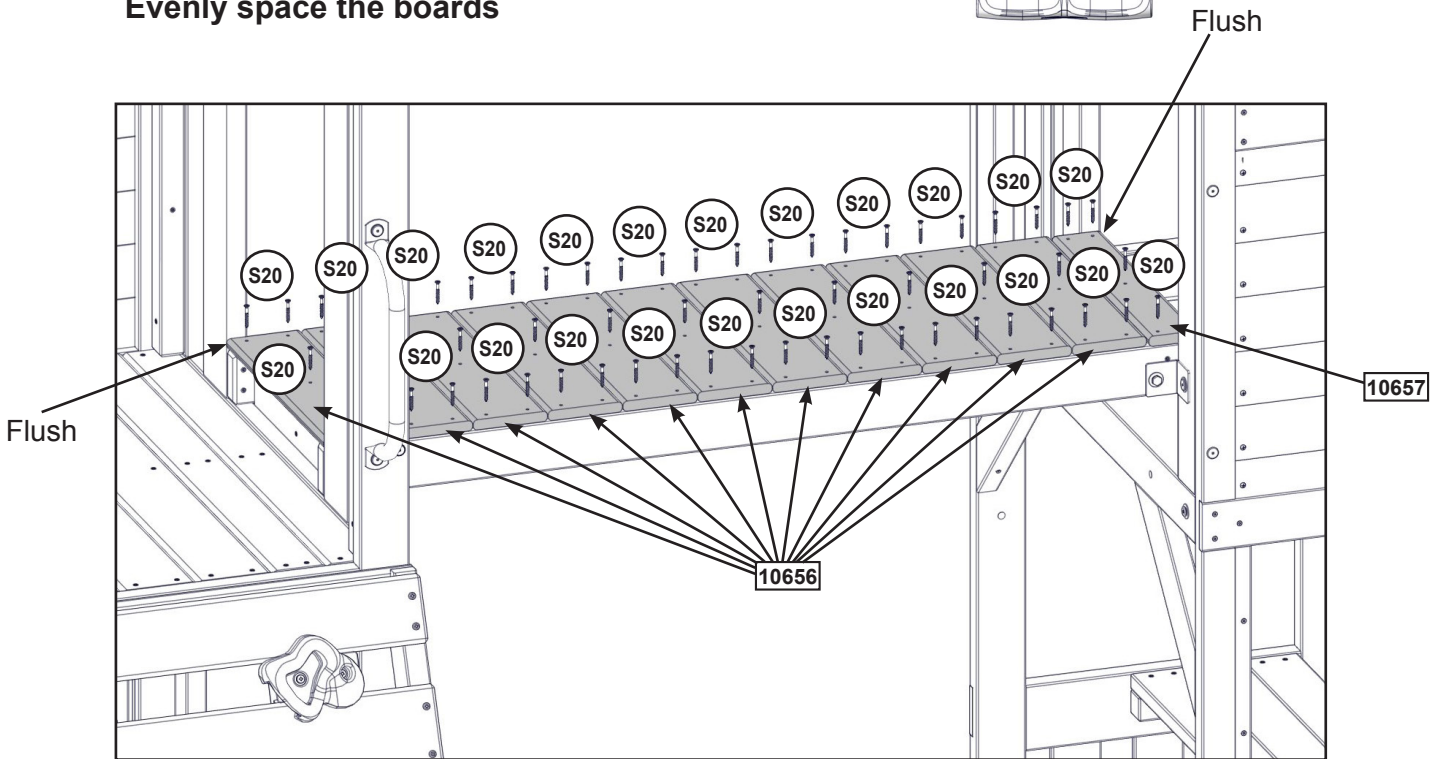


Tube Slide Side



**Note: Structure partly removed for clarity.**

**Evenly space the boards**



**Wood Parts**

- 11 x 10656 15.9 x 114.3 x 428.6 mm (5/8 x 4 1/2 x 16 7/8 in)
- 1 x 10657 15.9 x 76.2 x 428.6 mm (5/8 x 3 x 16 7/8 in)

**Hardware**

- 60 x S20 #8 x 35mm (#8 x 1-3/8 in)

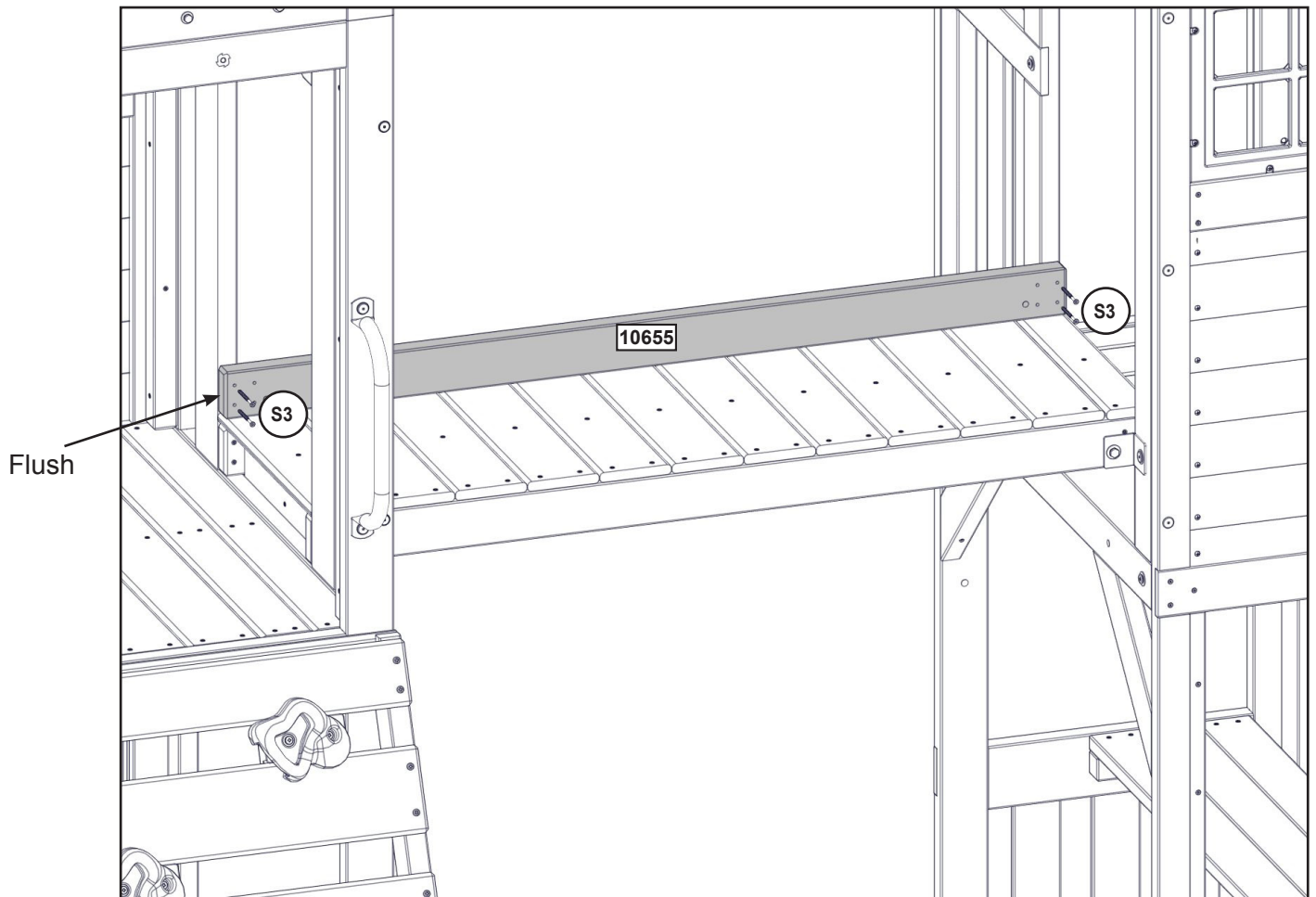


parts.kidkraft.com

customerservice@kidkraft.com  
1.800.933.0771  
972.385.0100



**Note: Structure partly removed for clarity.**



**Wood Parts**

1 x **10655** 31.8 x 76.2 x 1346.2 mm (1 1/4 x 3 x 53 in)

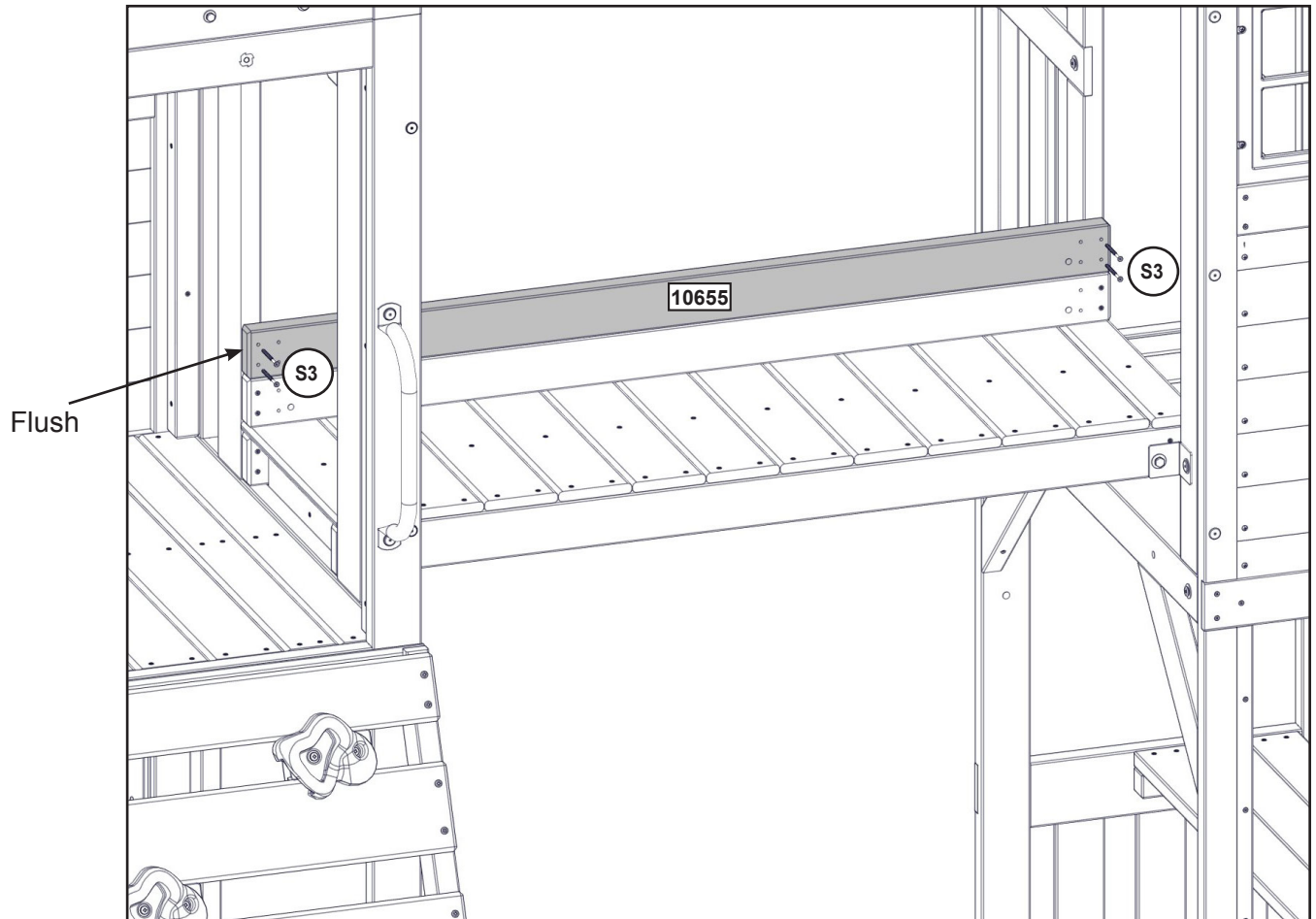
**Hardware**

4 x **S3** #8 x 63.5mm (#8 x 2-1/2 in)





**Note: Structure partly removed for clarity.**

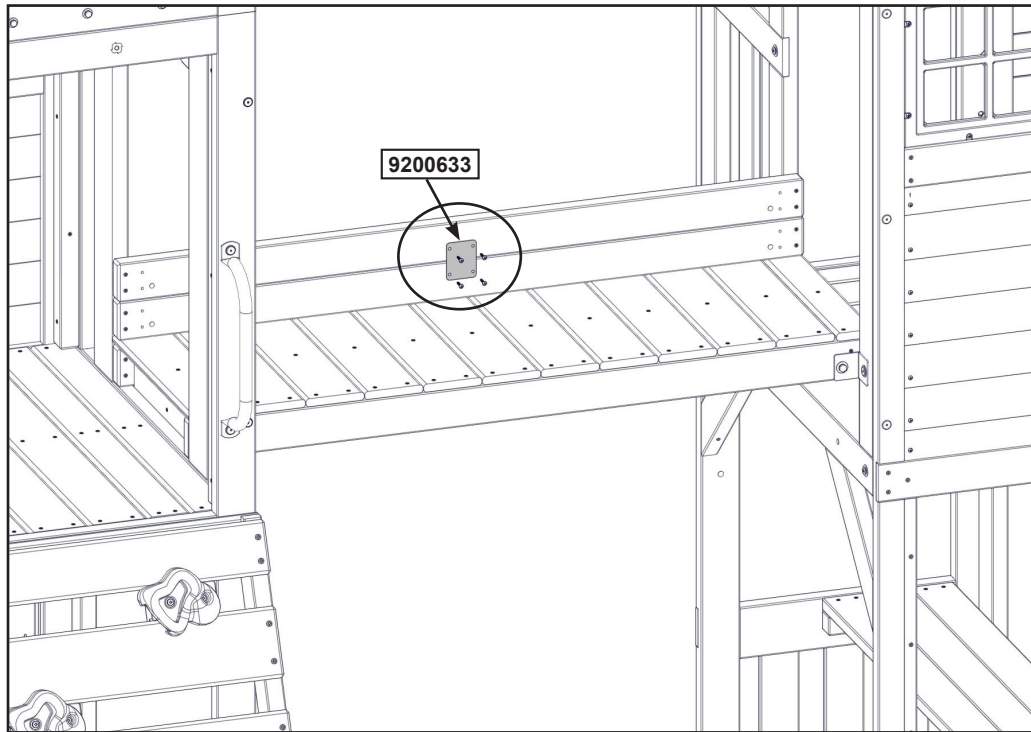
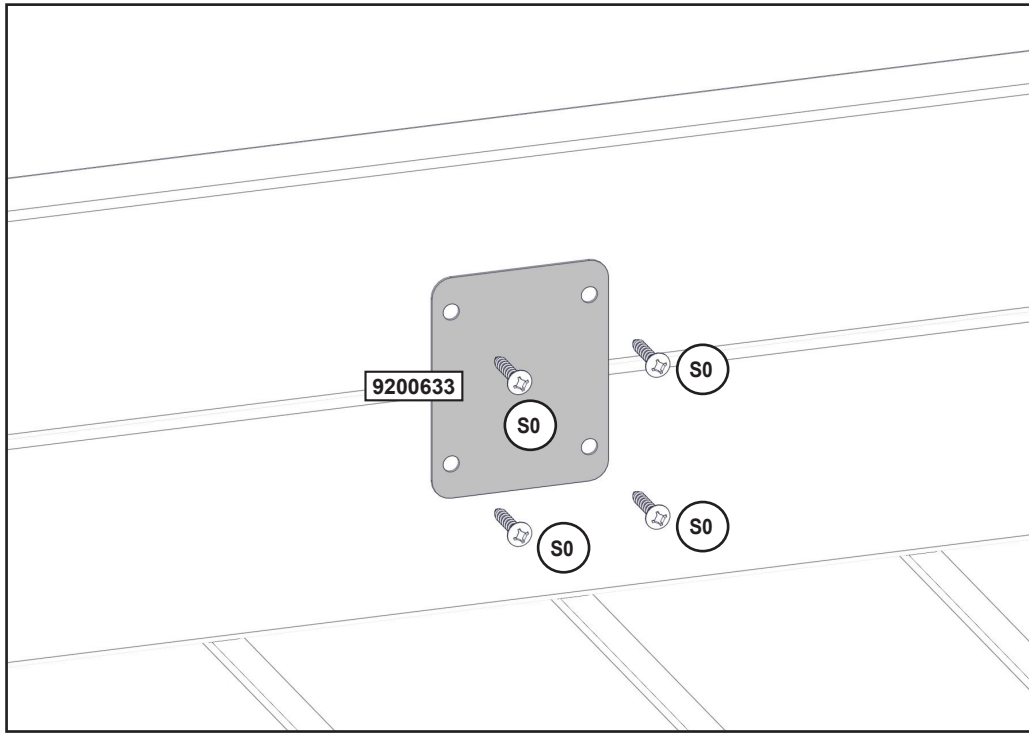


**Wood Parts**

1 x  31.8 x 76.2 x 1346.2 mm (1 1/4 x 3 x 53 in)

**Hardware**


4 x  #8 x 63.5mm (#8 x 2-1/2 in)



**Hardware**

4 x  #8 x 22.2mm (#8 x 7/8 in)

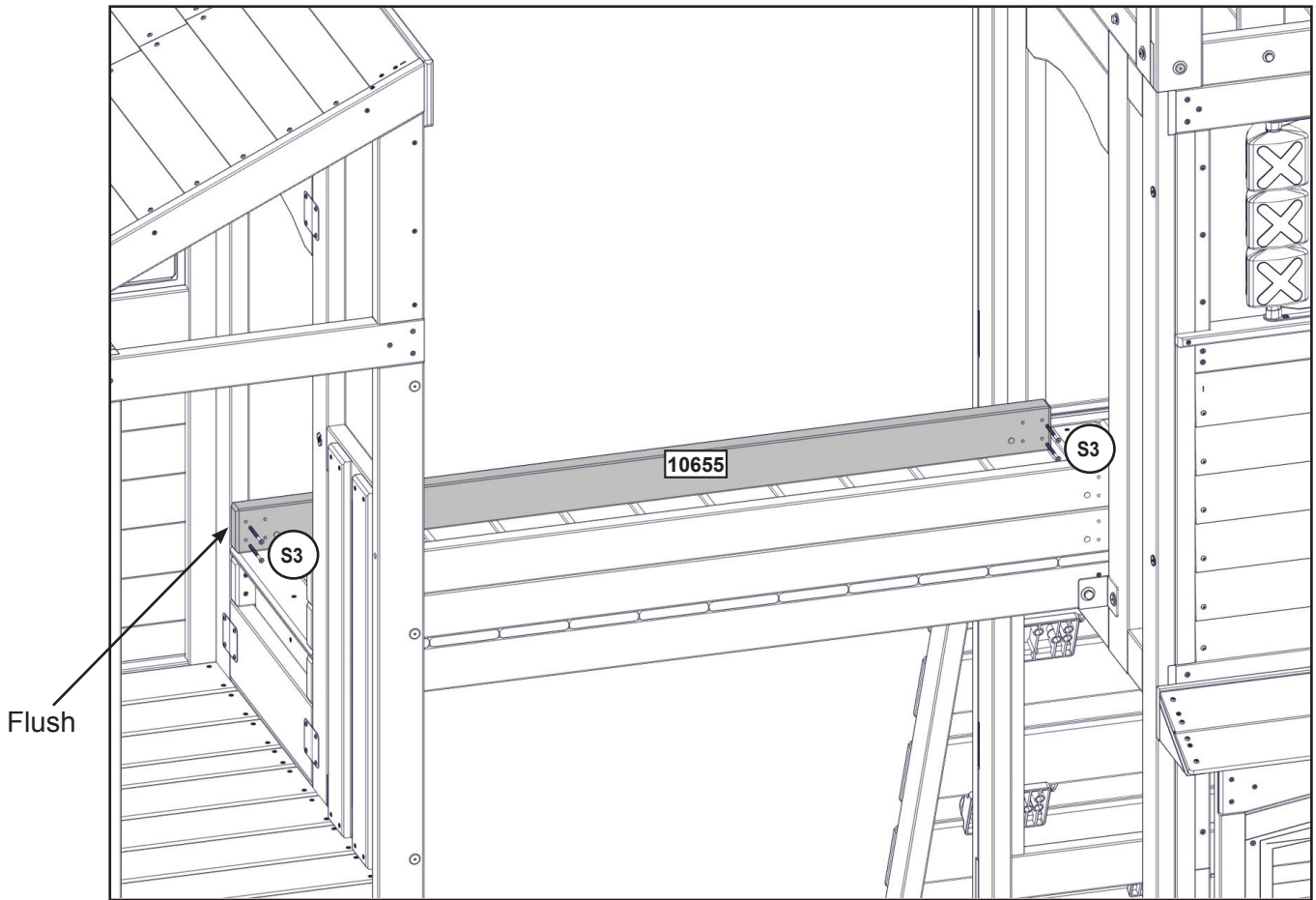
**Other Parts**

1 x 





**Note: Structure partly removed for clarity.**



**Wood Parts**

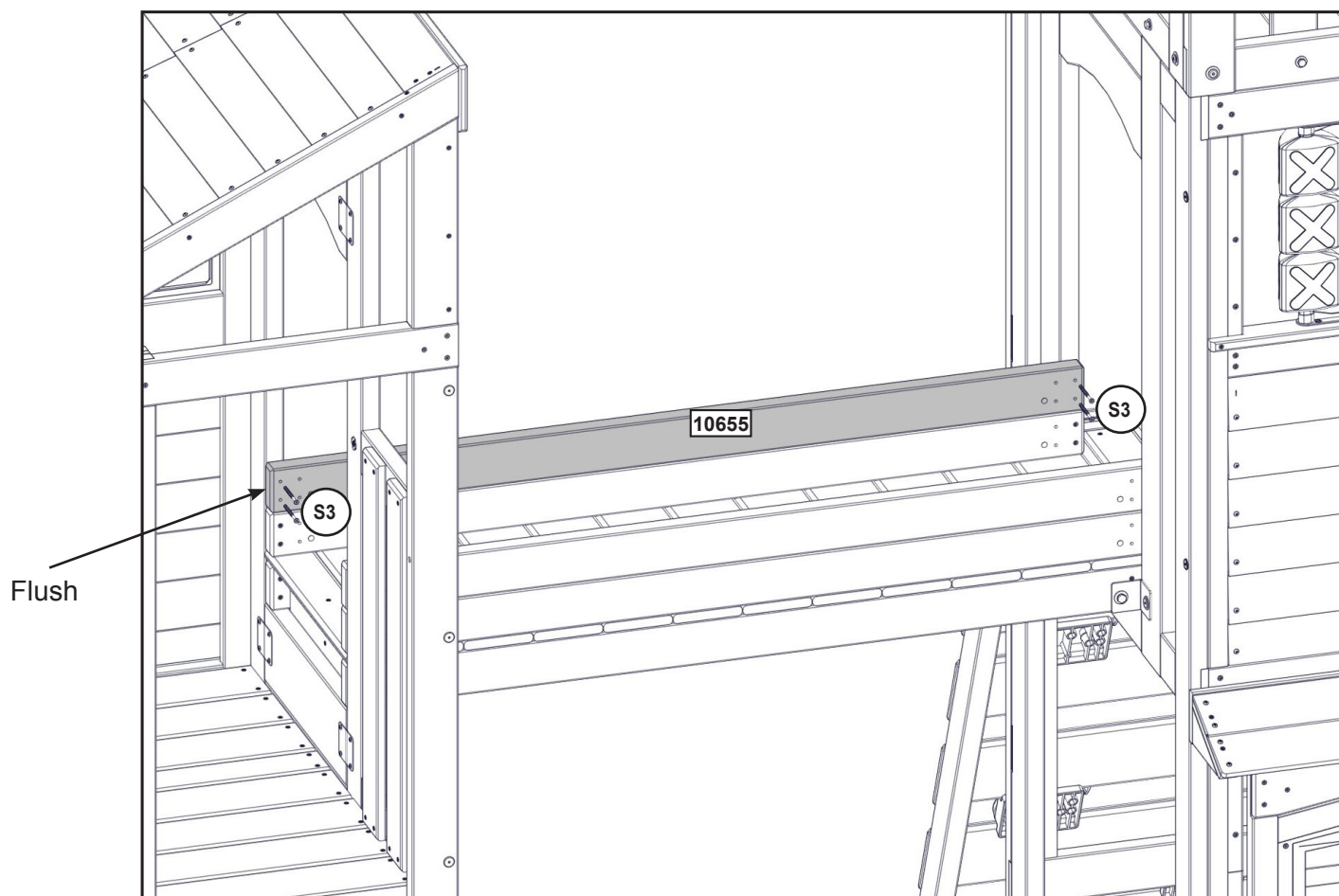
1 x **10655** 31.8 x 76.2 x 1346.2 mm (1 1/4 x 3 x 53 in)

**Hardware**

4 x **S3** #8 x 63.5mm (#8 x 2-1/2 in)



**Note: Structure partly removed for clarity.**



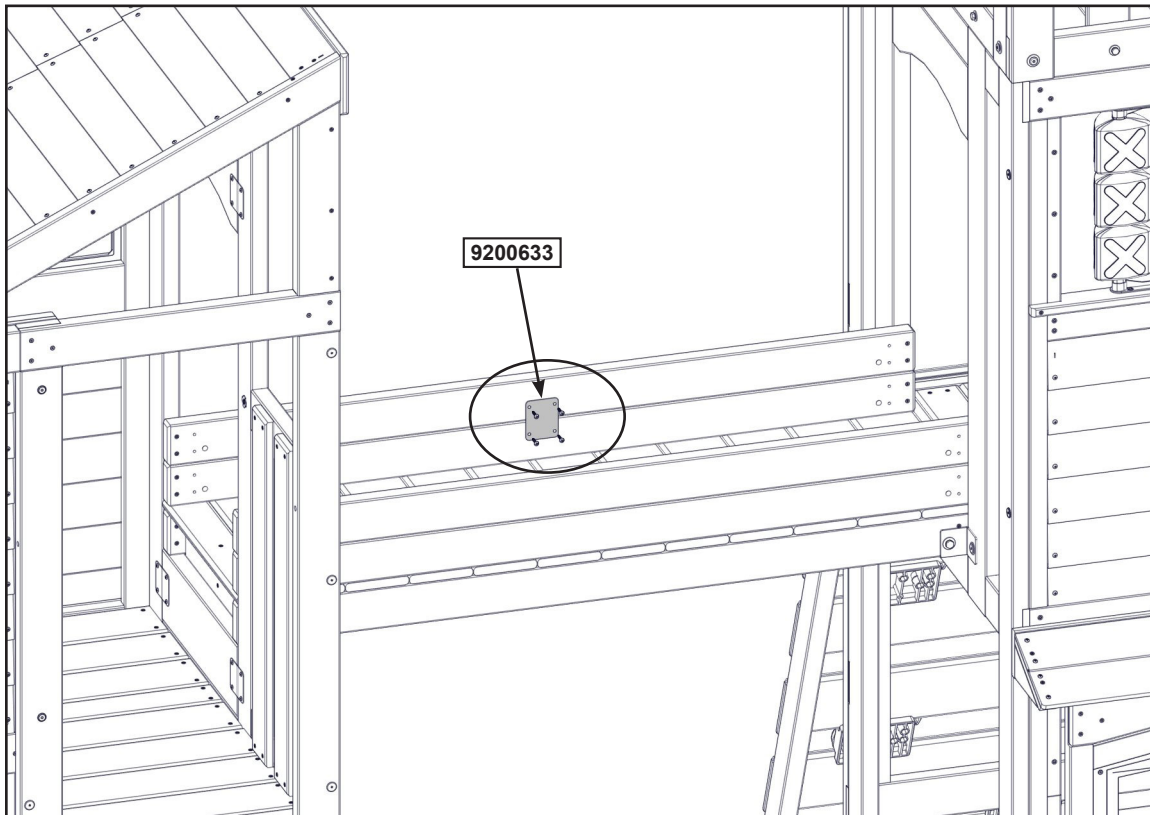
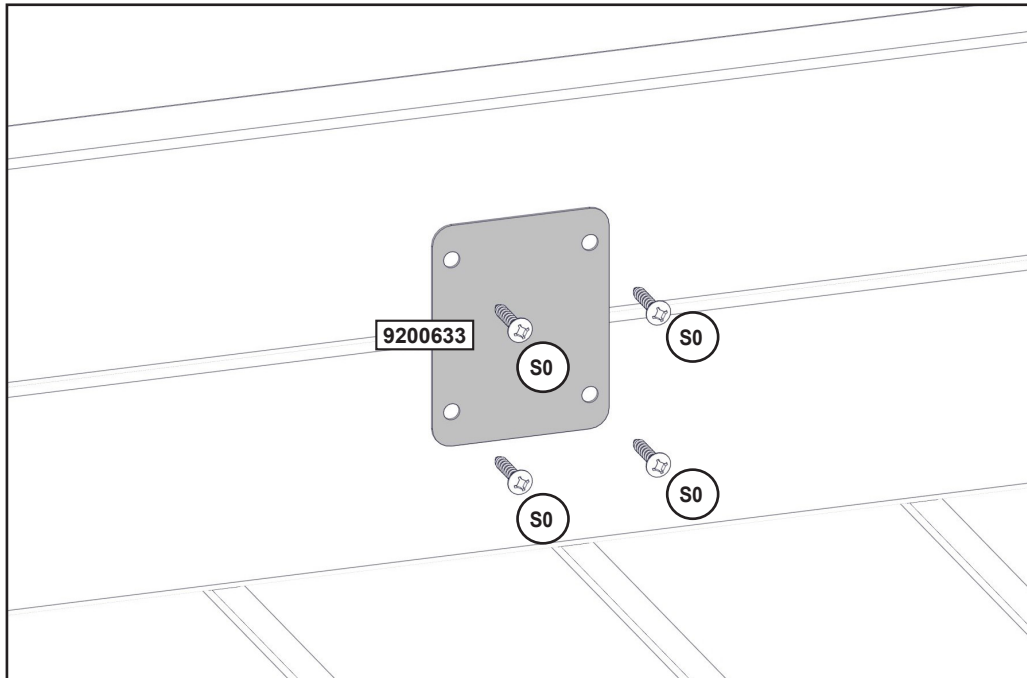
#### Wood Parts

1 x **10655** 31.8 x 76.2 x 1346.2 mm (1 1/4 x 3 x 53 in)

#### Hardware

4 x **S3** #8 x 63.5mm (#8 x 2-1/2 in)

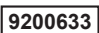




**Hardware**

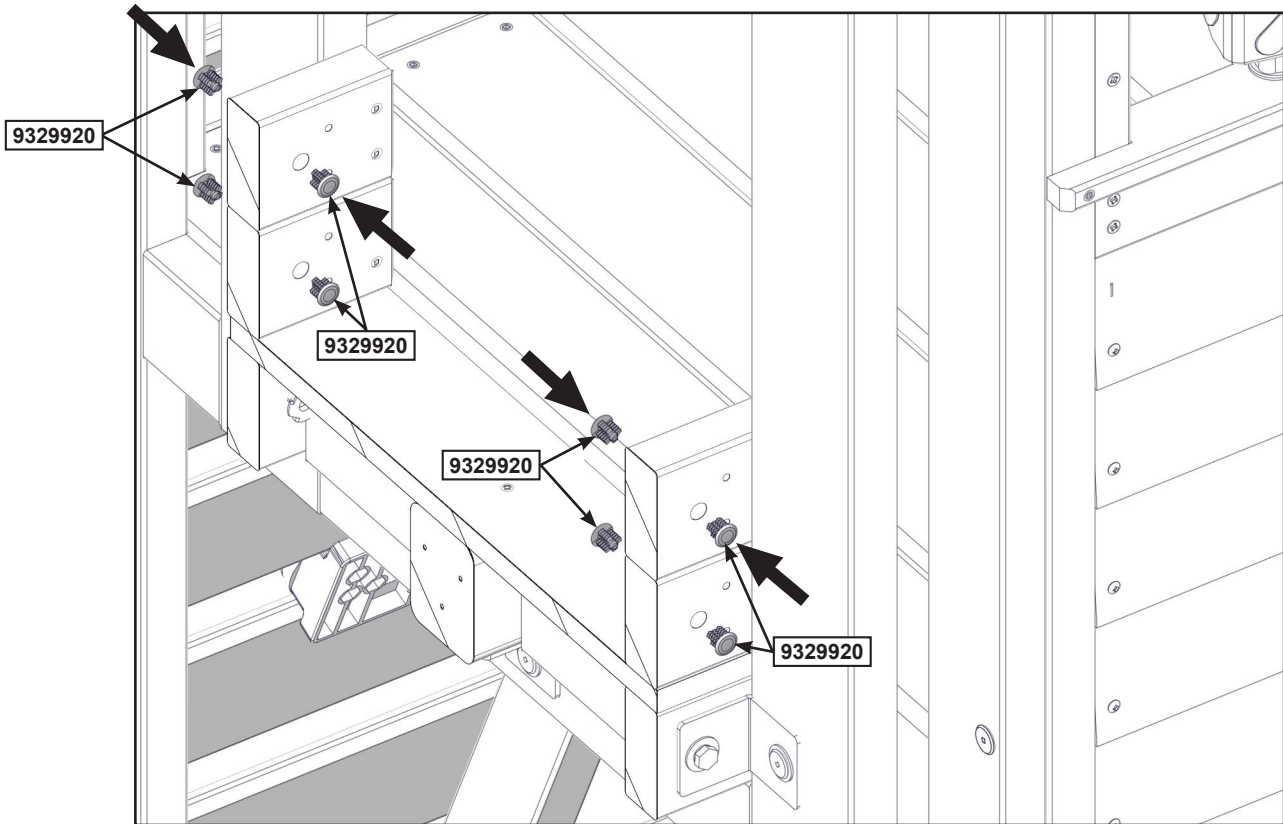
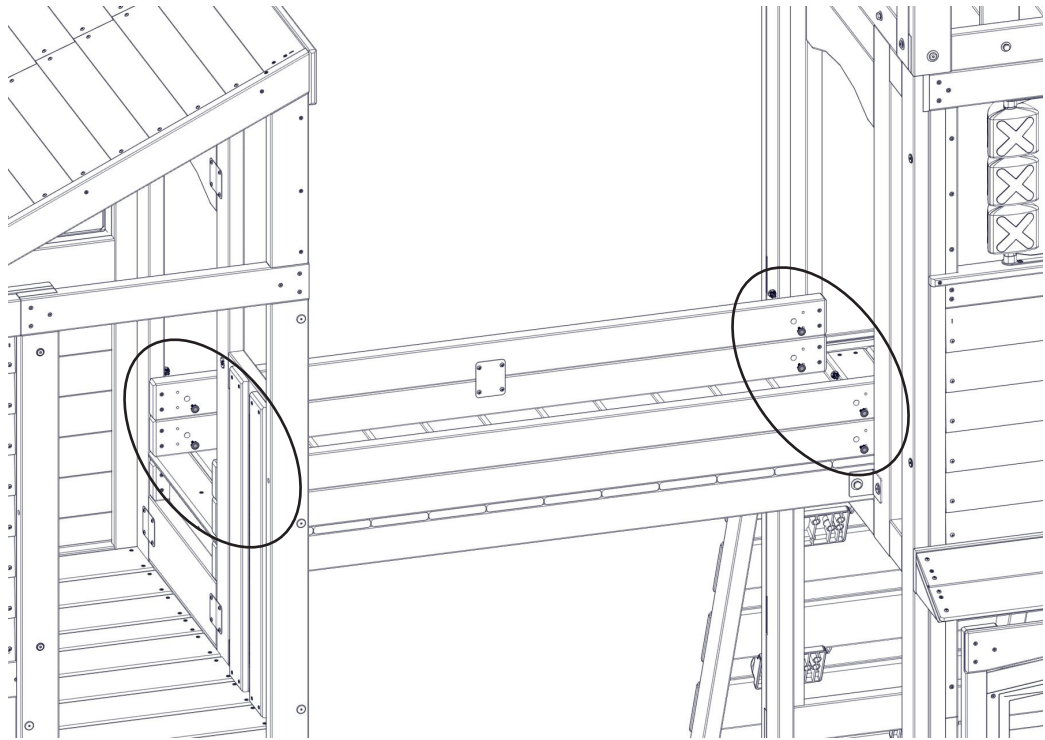
4 x  #8 x 22.2mm (#8 x 7/8 in)

**Other Parts**

1 x 



Insert Hole Plugs into unused holes.



**Other Parts**

16 x **9329920**



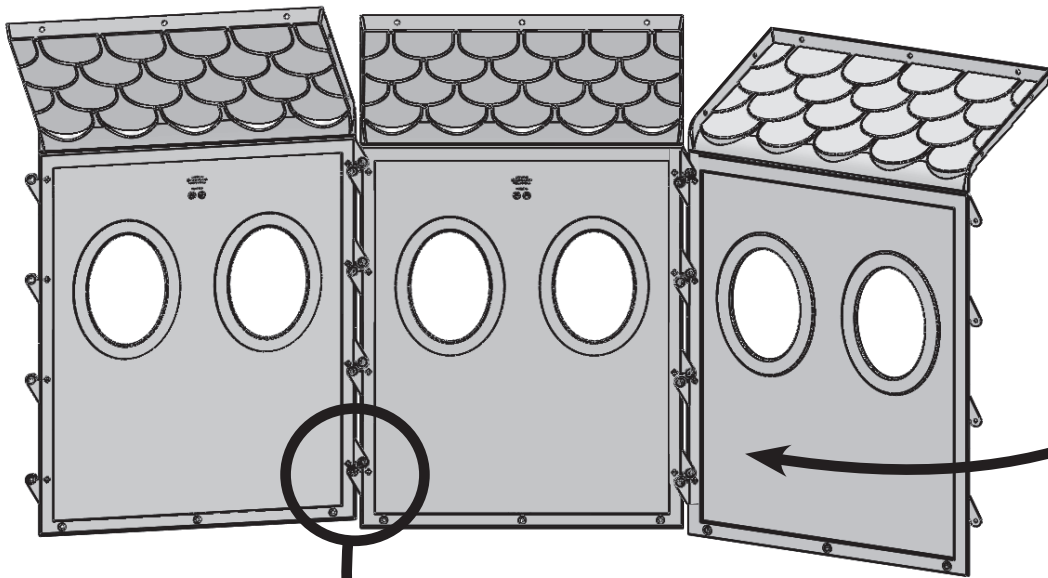
Outside View

Repeat this step to create two Tunnel Sides



bend here

9330101



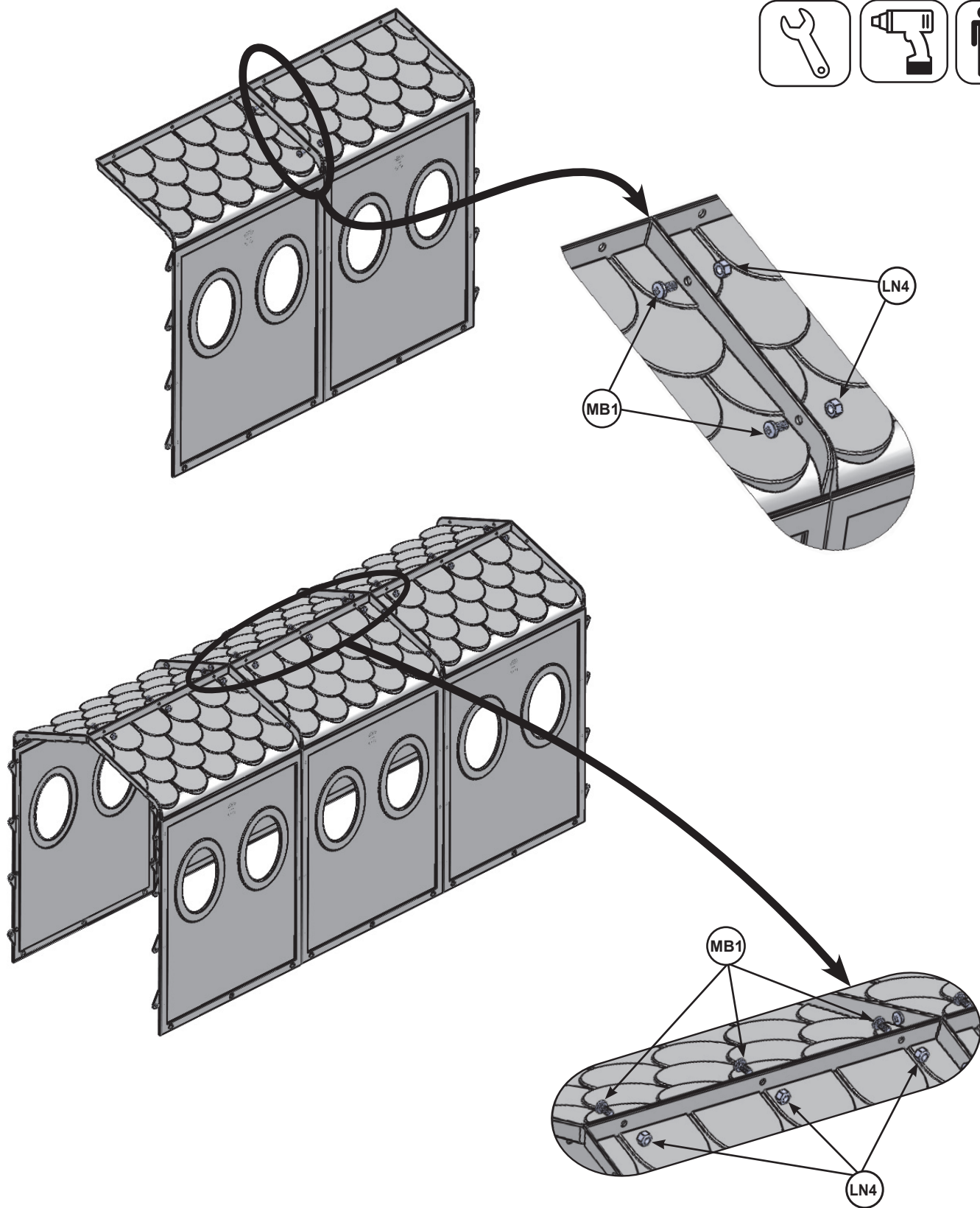
Inside View

nodule

connector tab

Other Parts

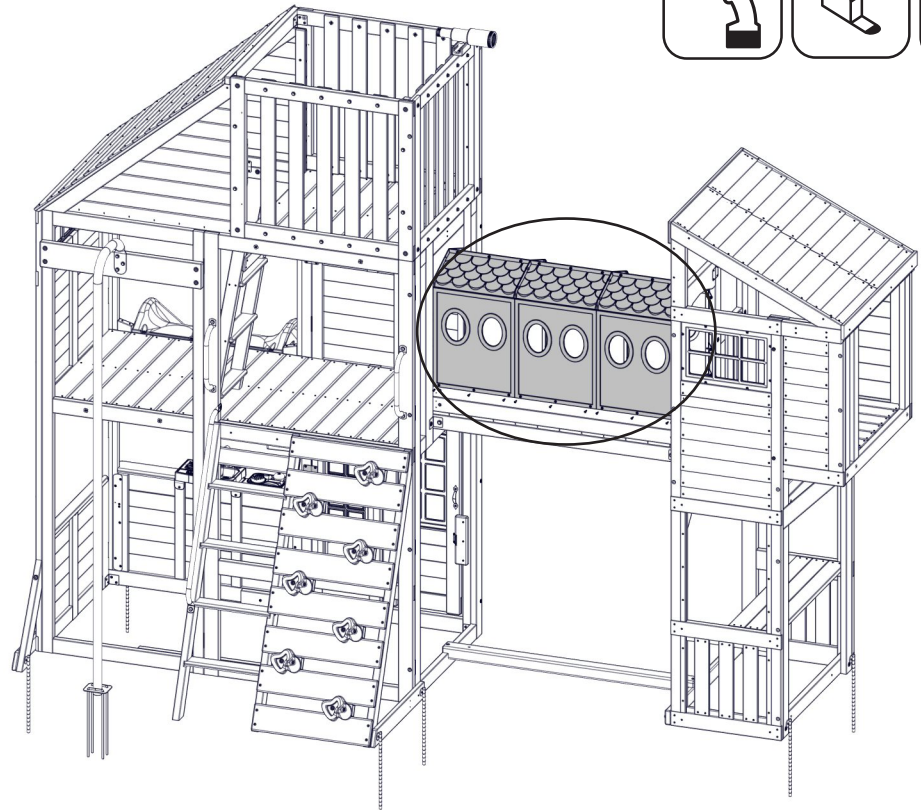
6 x 9330101



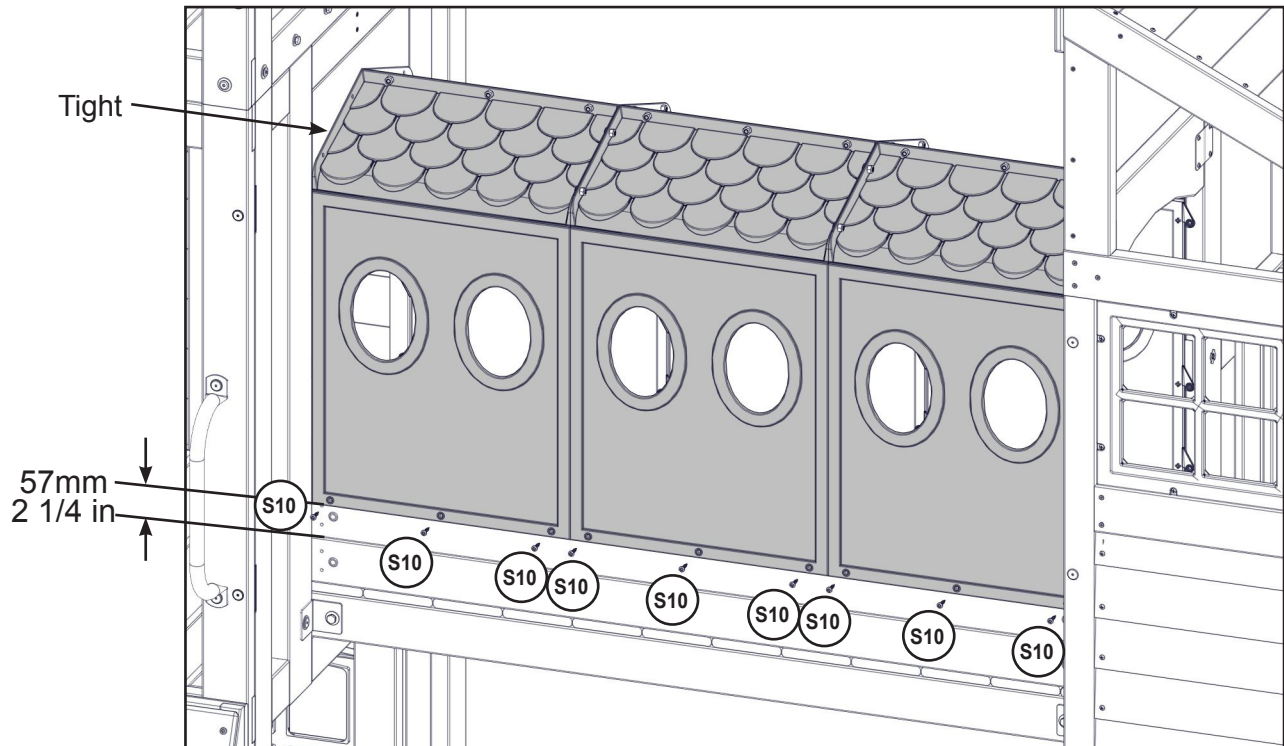
**Hardware**

17 x **MB1** #12 x 1/2 in (12.7mm) (LN4)





Repeat this step on the front side

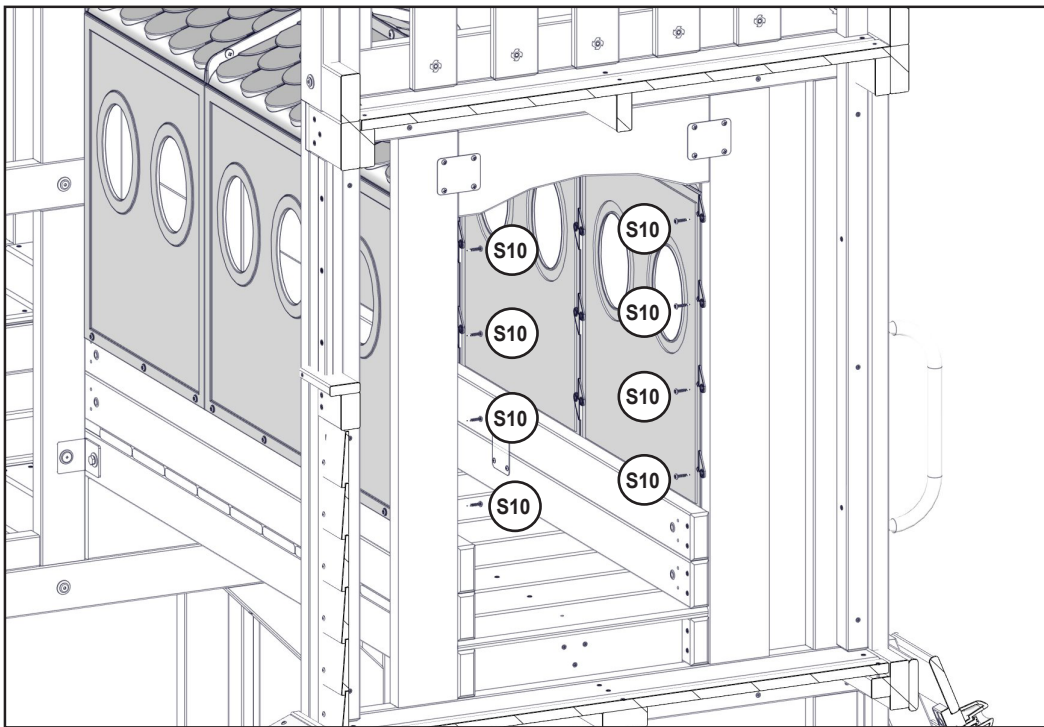
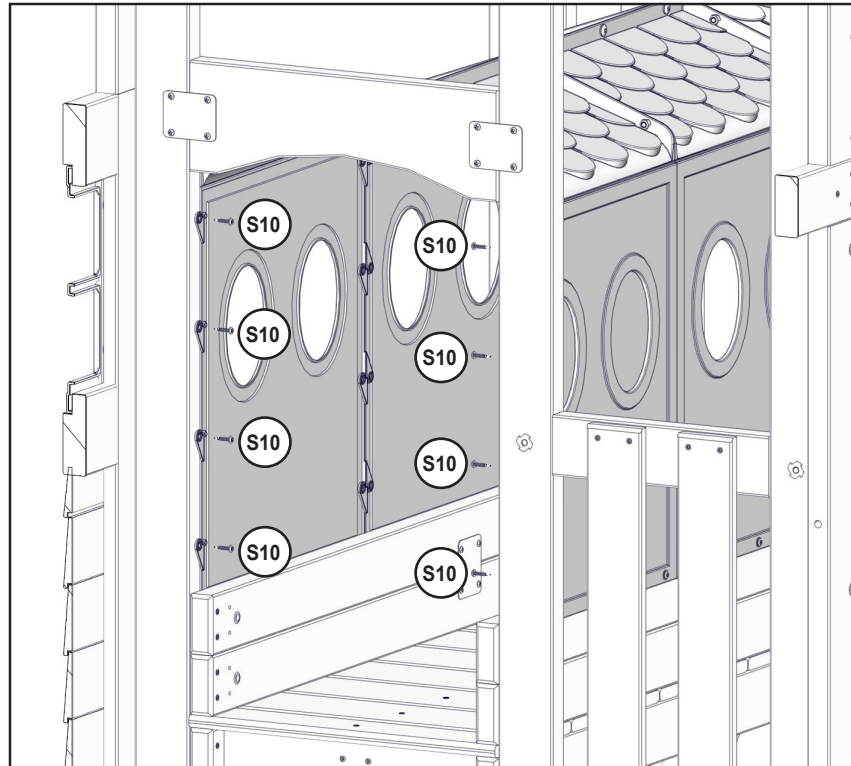


**Hardware**

18 x **S10** #8 x 25.4 mm (#8 x 1 in)

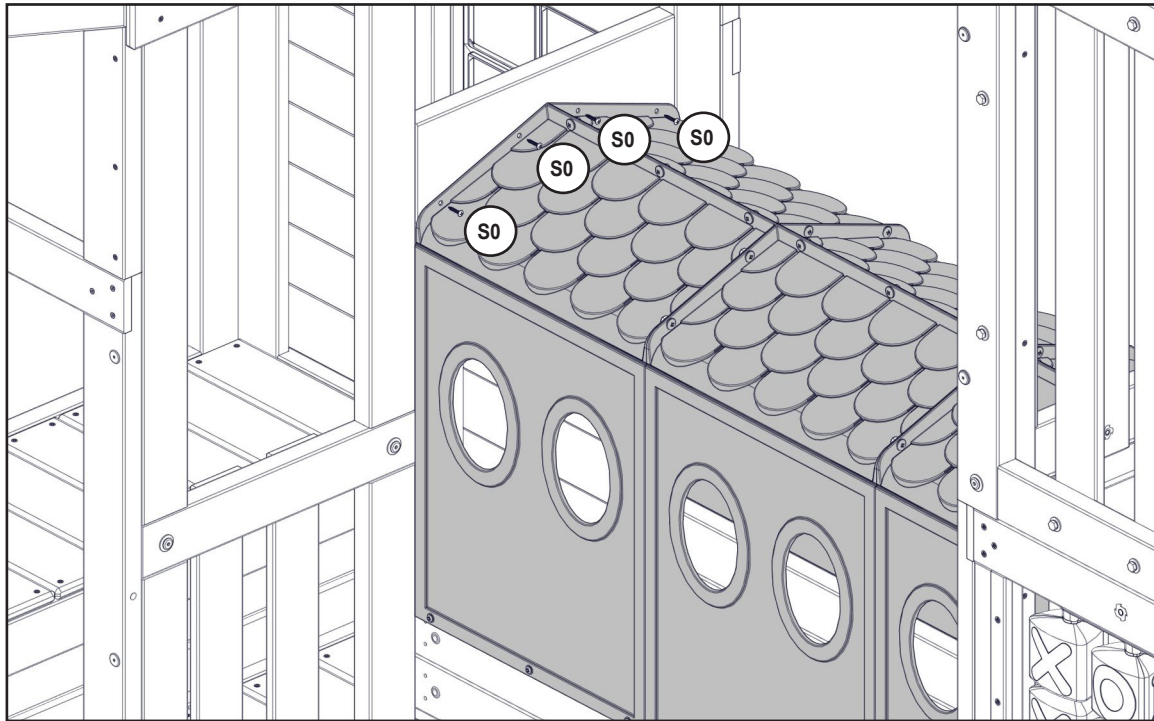
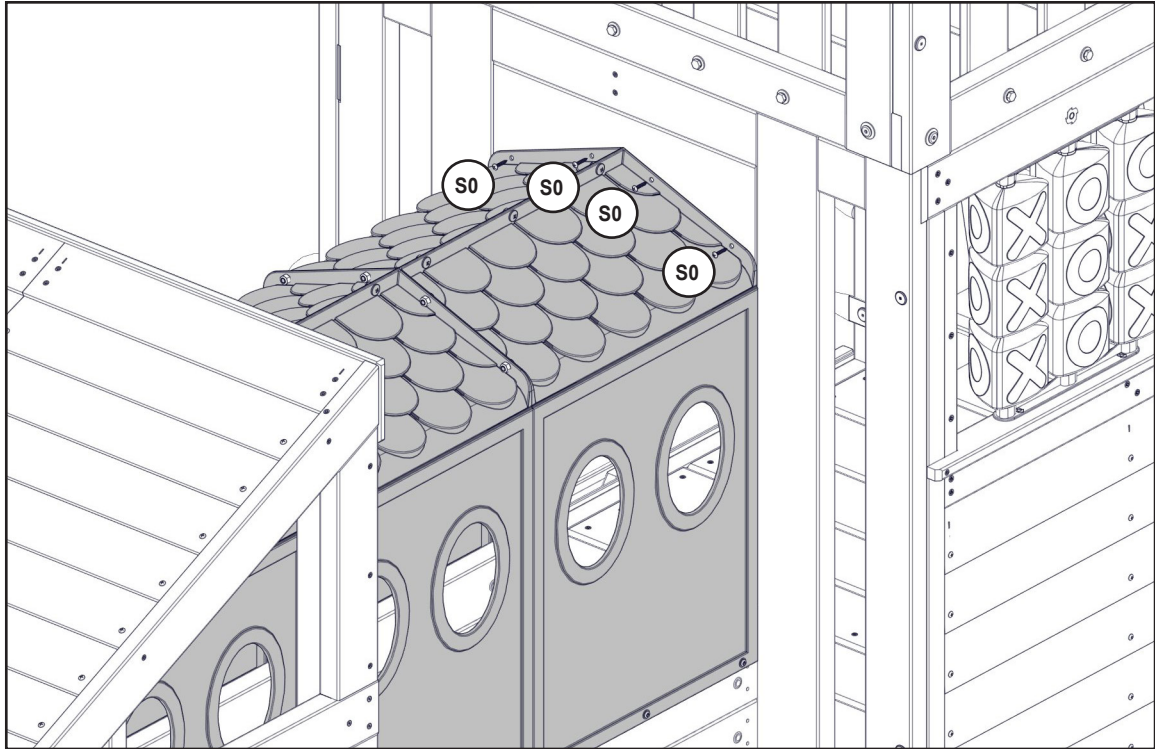


**Note: Structure partly removed for clarity.**



#### Hardware

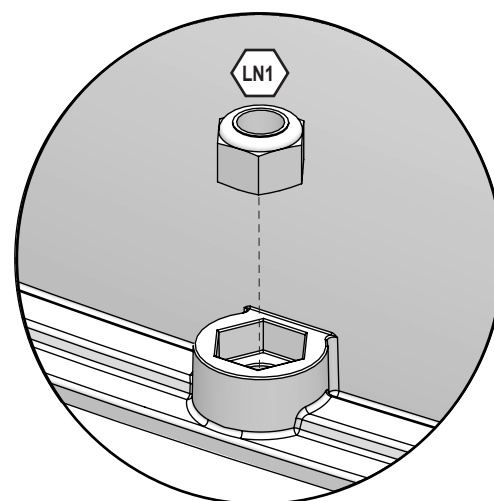
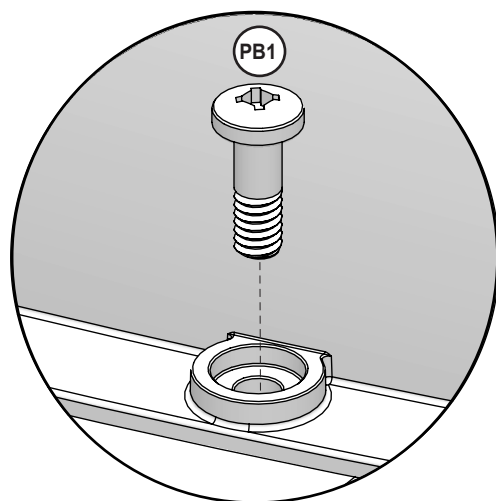
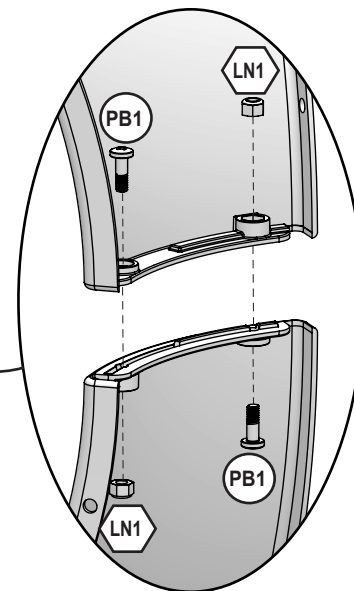
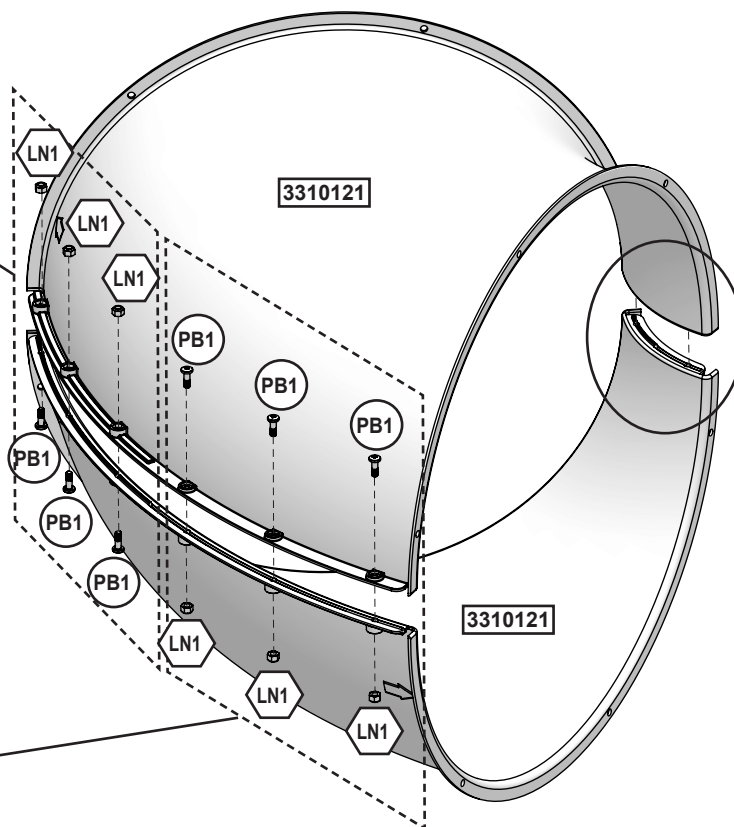
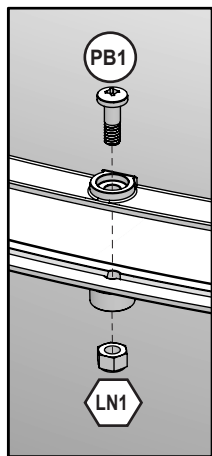
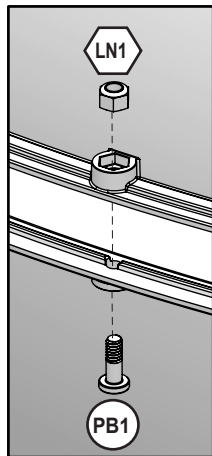
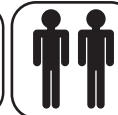
16 x  #8 x 25.4 mm (#8 x 1 in)



**Hardware**

8 x  #8 x 22.2mm (#8 x 7/8 in)

Complete this step 4 times



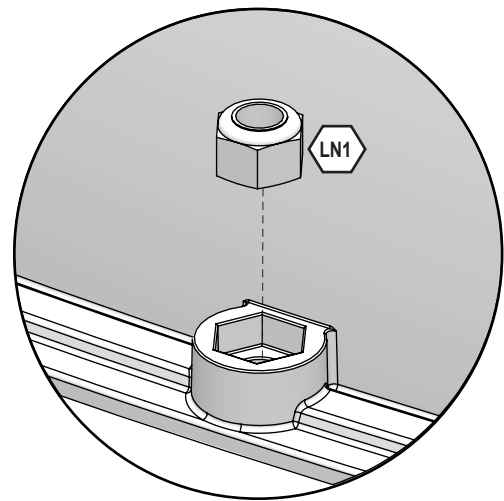
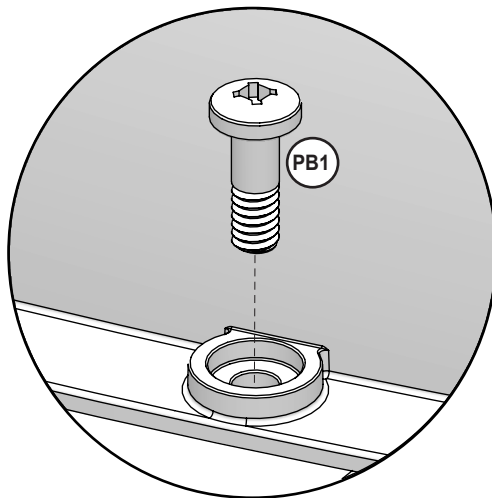
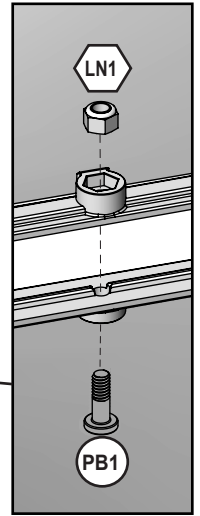
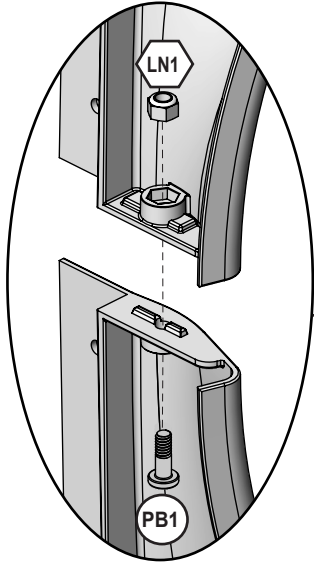
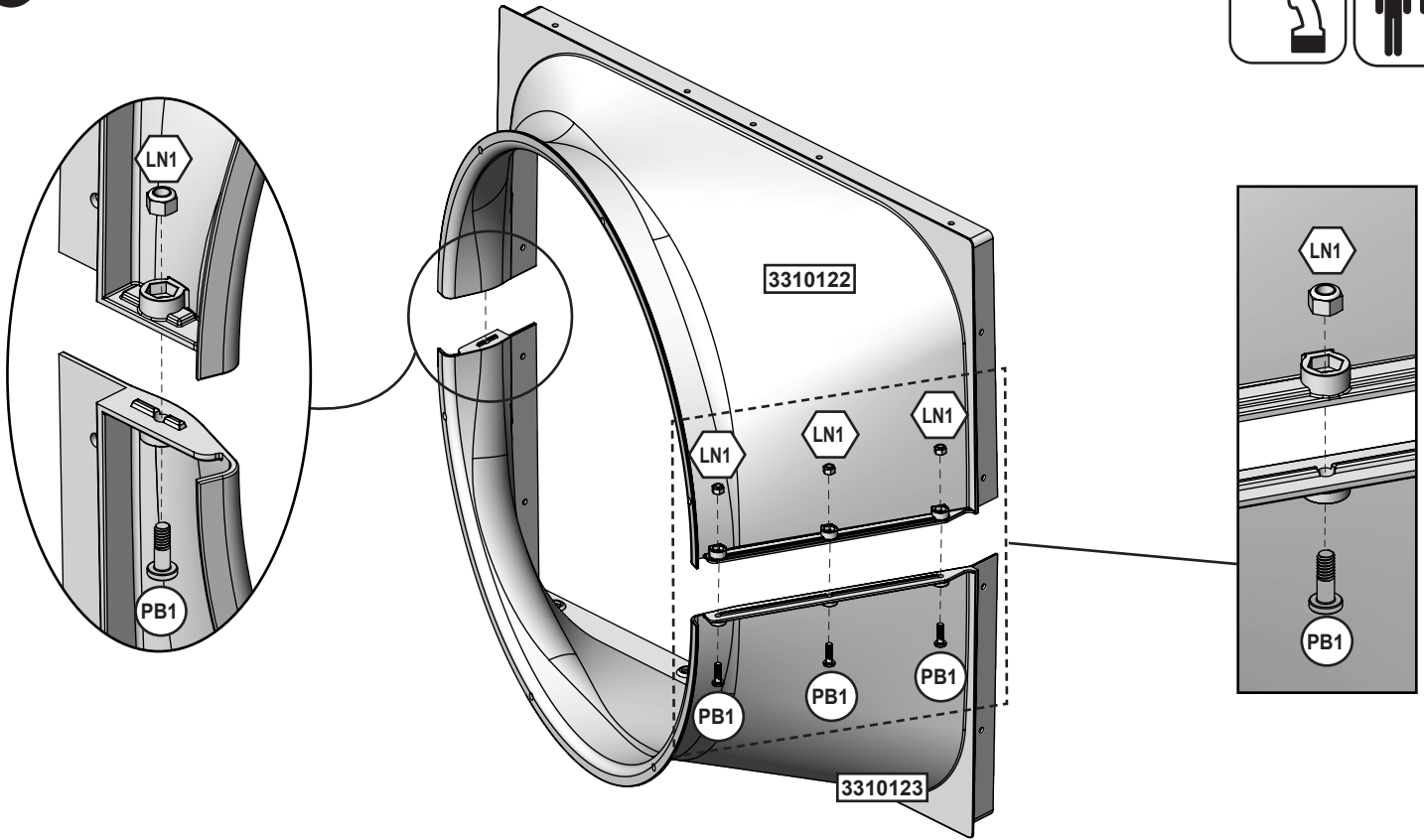
**Hardware**

32 x (PB1) 6.3mm x 19 mm (1/4 x 3/4 in) (LN1)

**Other Parts**

8 x 3310121





**Hardware**

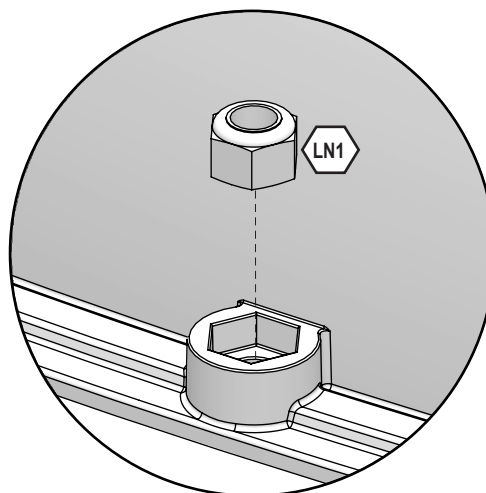
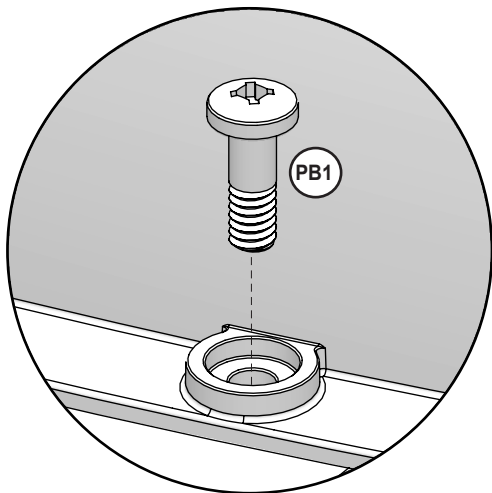
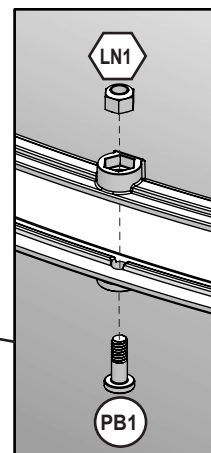
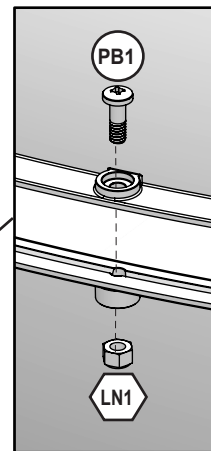
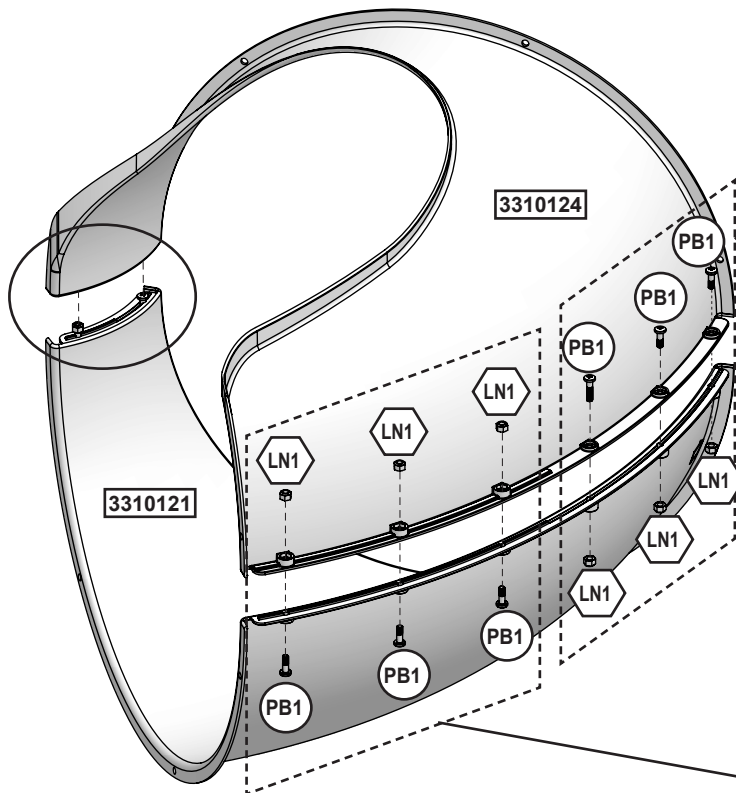
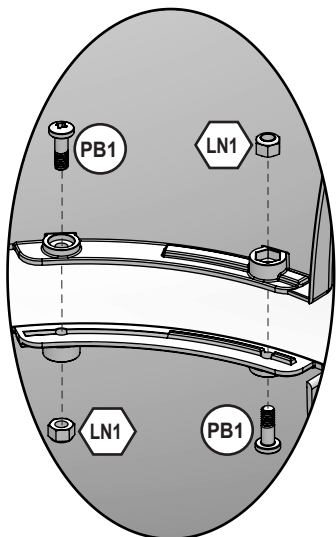
4 x (PB1) 6.3mm x 19 mm (1/4 x 3/4 in) (LN1)

**Other Parts**

1 x 3310122

1 x 3310123





**Hardware**

8 x 6.3mm x 19 mm (1/4 x 3/4 in) (LN1)

**Other Parts**

1 x

1 x

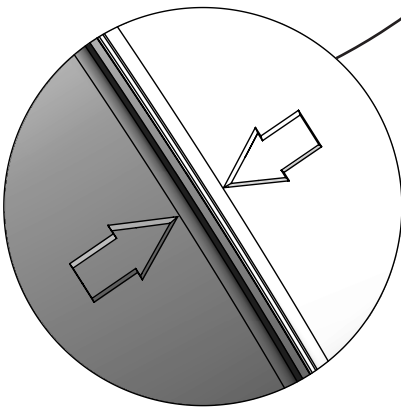
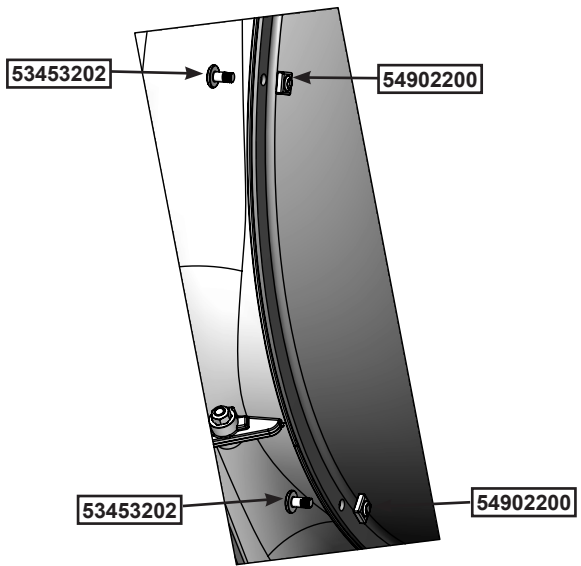
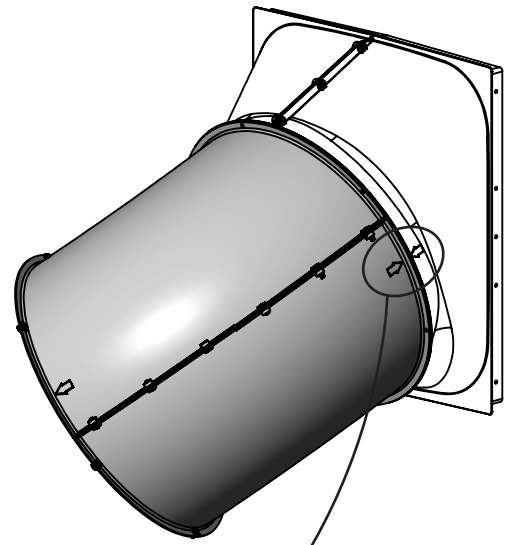
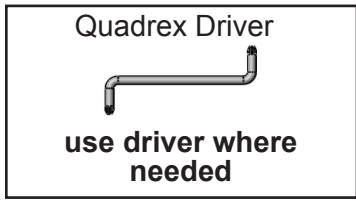
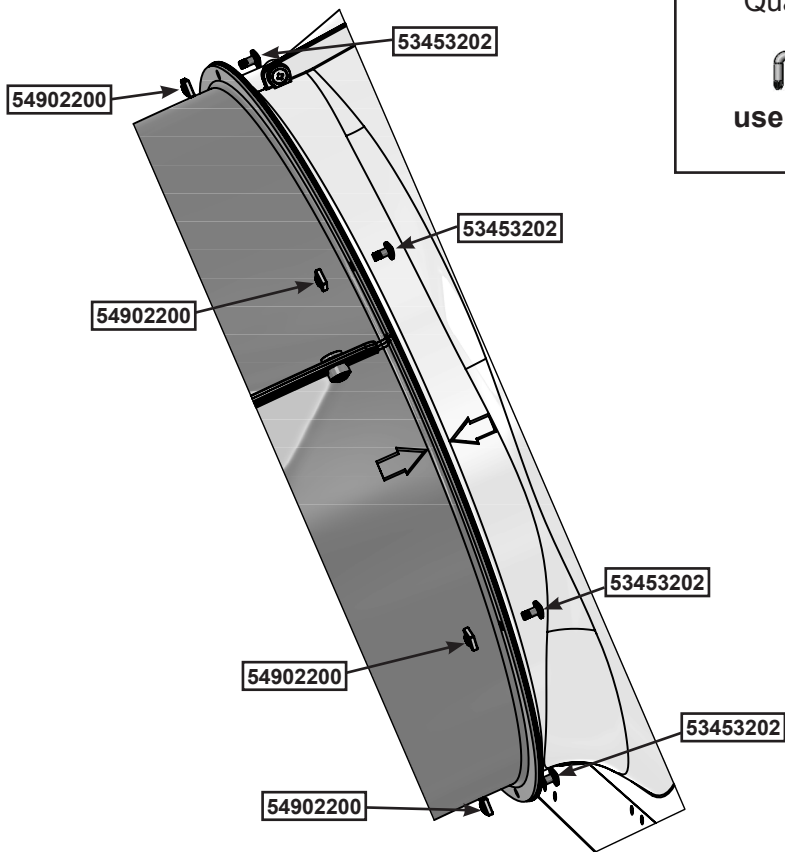


128

Note: Keep all bolts loose until further step.

Use Quadrex Driver as a guide pin for each hole before inserting bolt.

Align each elbow using the molded arrows.



Align each elbow using the molded arrows.

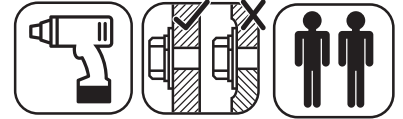
**Other Parts**

6 x 54902200

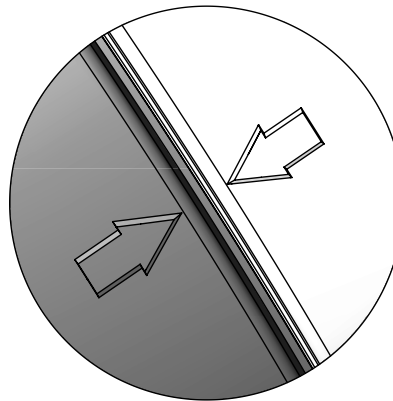
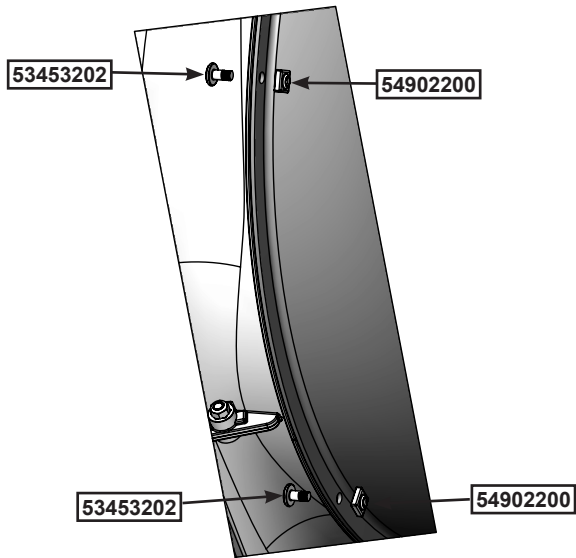
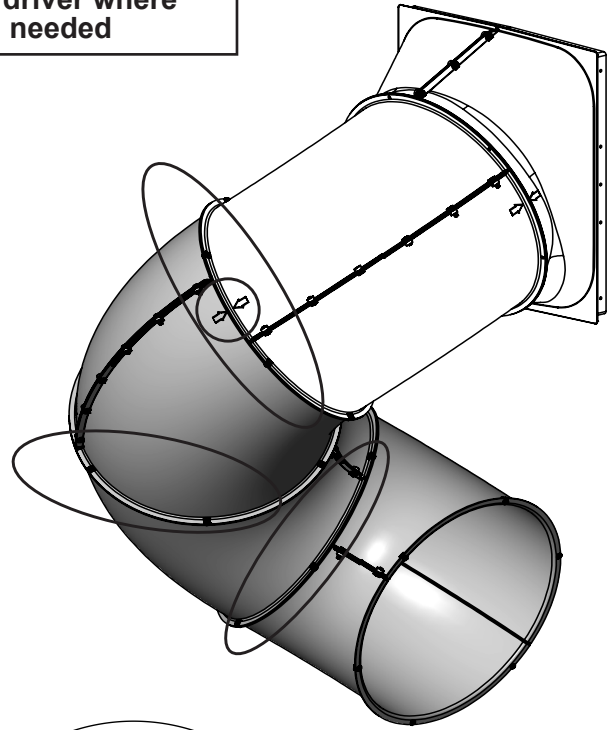
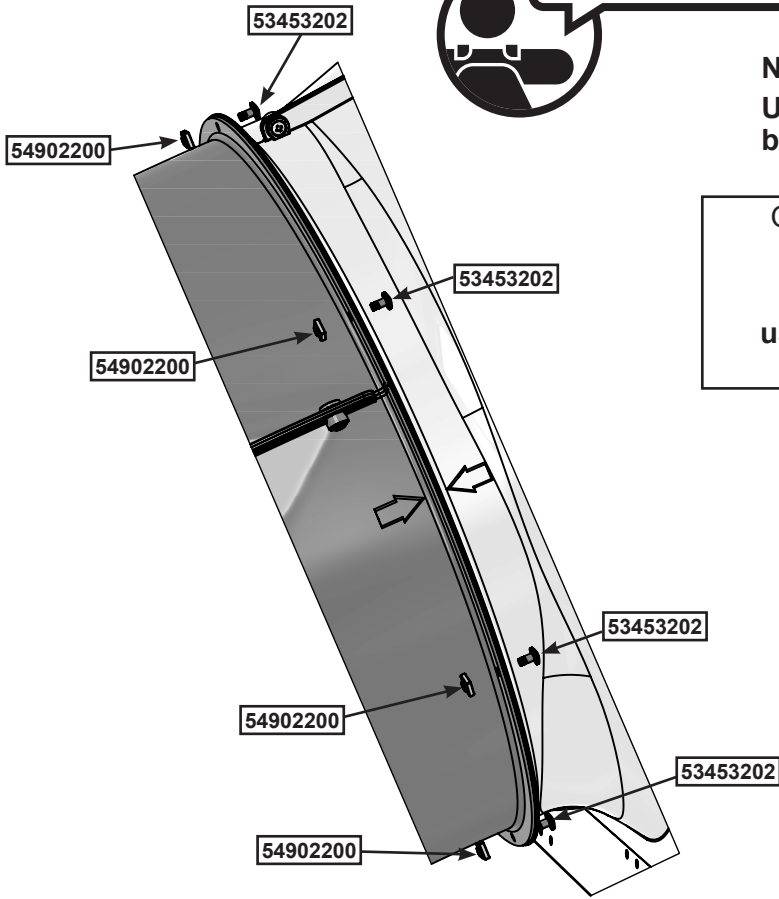
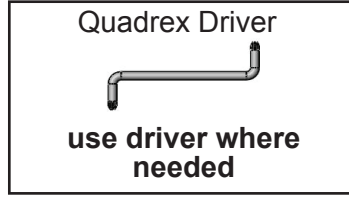
6 x 53453202 1/4 in x 12.7mm



Complete this three times



Note: Keep all bolts loose until further step.  
Use Quadrex Driver as a guide pin for each hole before inserting bolt.



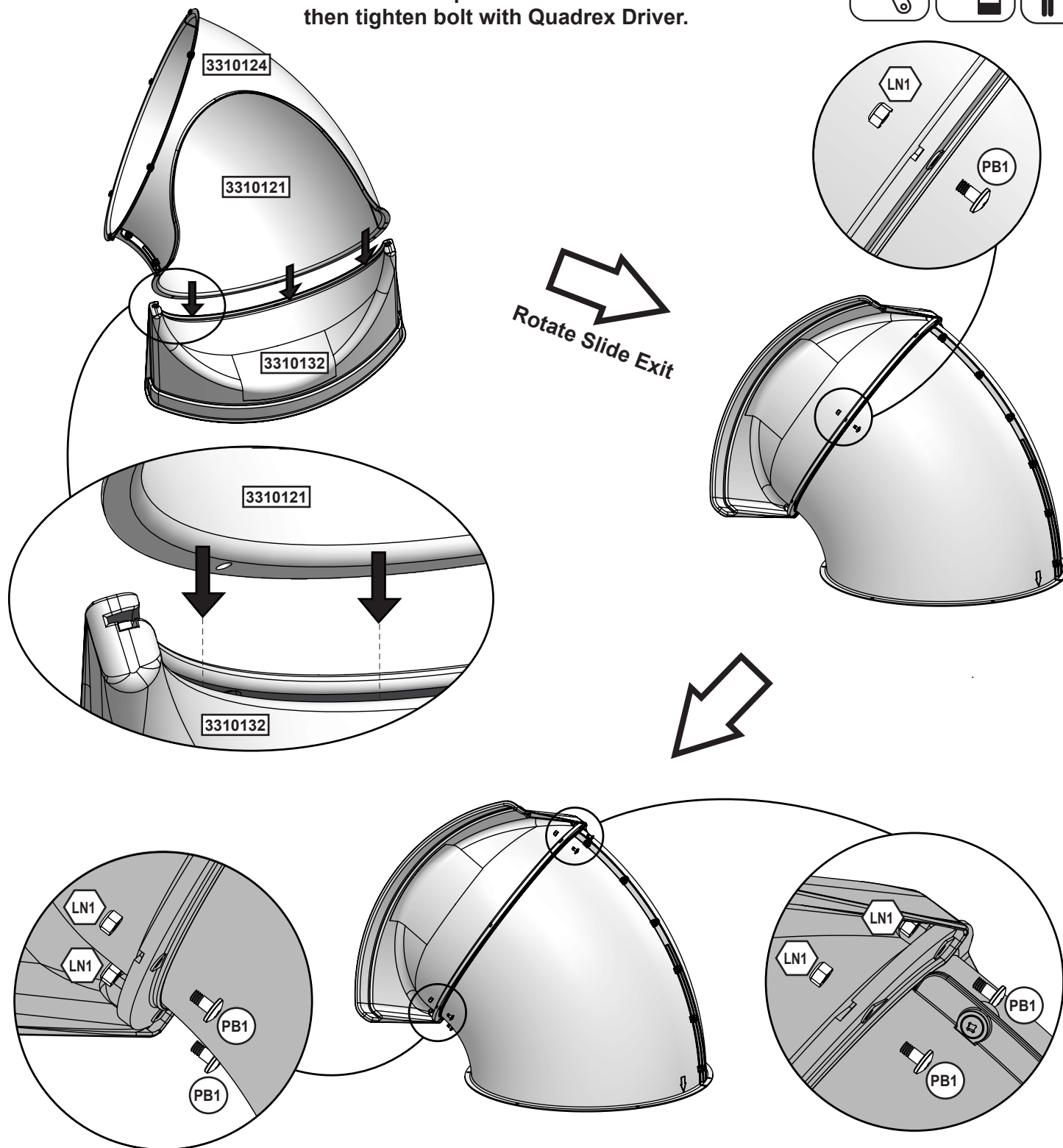
Align each elbow using the molded arrows.

**Other Parts**

- 18 x 54902200
- 18 x 53453202 1/4 in x 12.7mm



Use a 7/16 in open end wrench to hold nut and then tighten bolt with Quadrex Driver.



**Hardware**

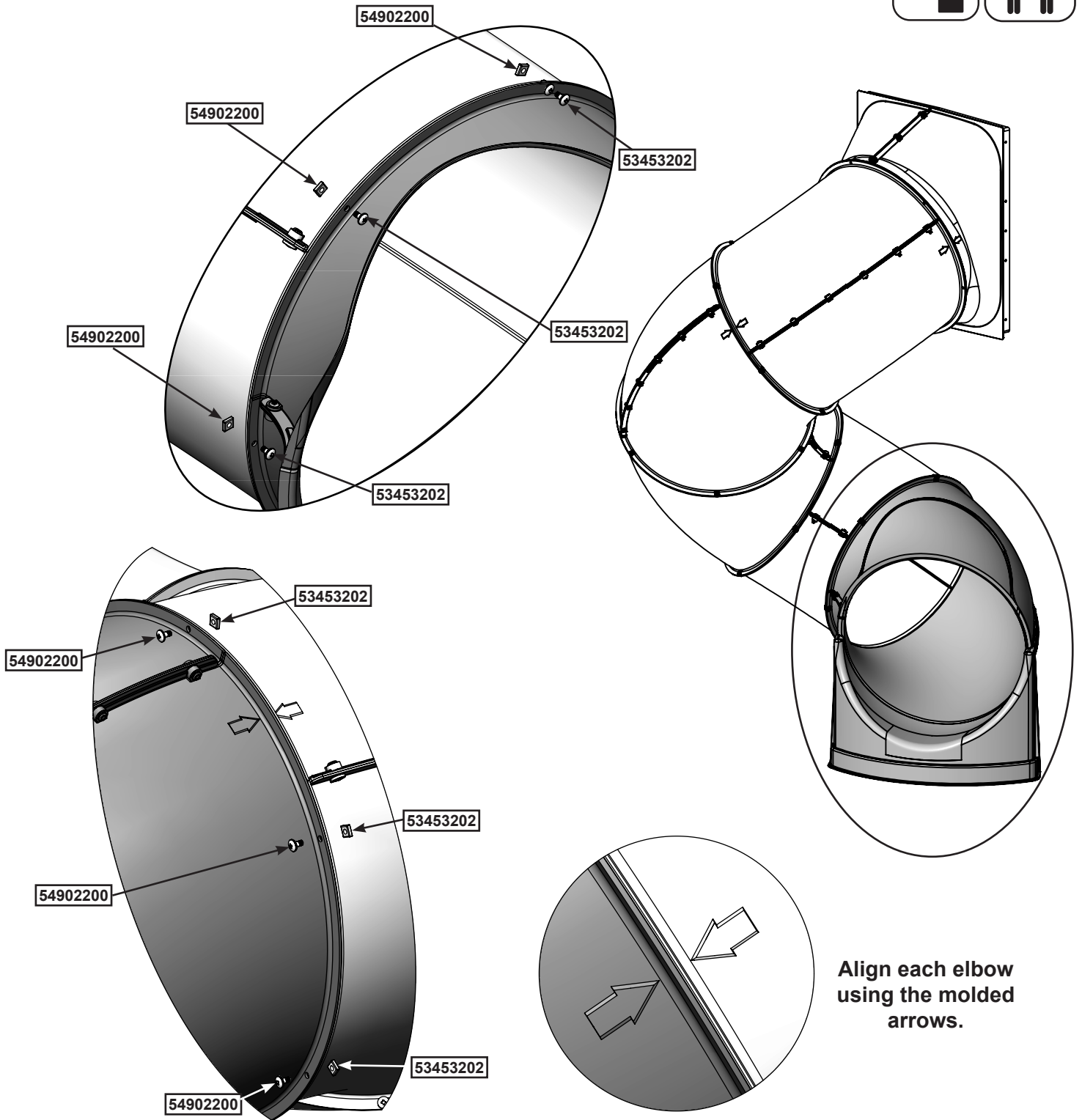
5 x (PB1) 6.4mm x 19 mm (1/4 x 3/4 in) (LN1)

**Other Parts**

1 x 3310132

131

Tighten all slide bolts before the clamp rings go on in the next step.



Align each elbow using the molded arrows.

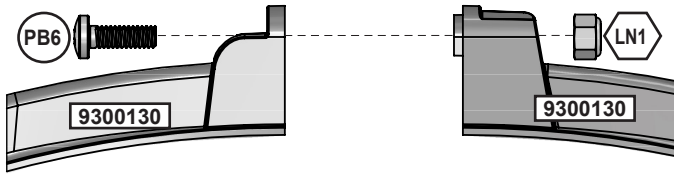
**Other Parts**

- 6 x 54902200
- 6 x 53453202 1/4 in x 12.7mm

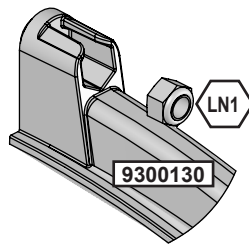
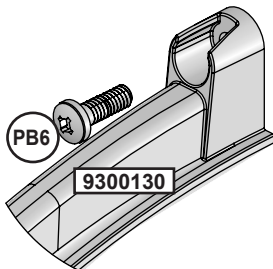
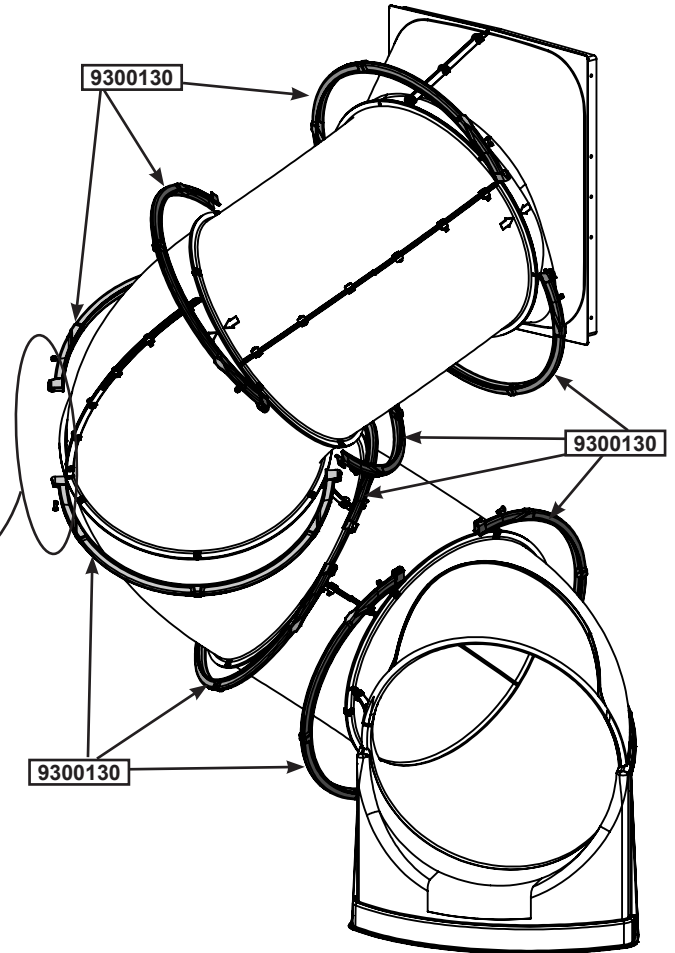
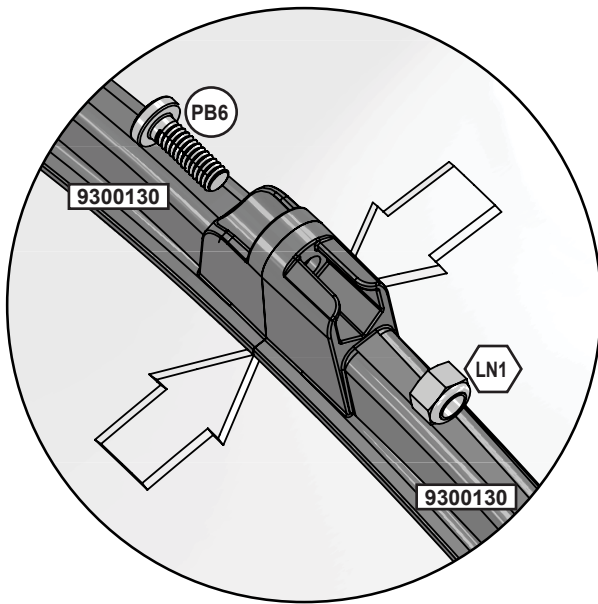




Warning. Do not over tighten the clamp rings.



After the clamp rings are attached to the elbows, fasten them end to end with two pan bolts and lock nuts



Note: For ease of assembly bottom set of clamp rings can be rotated 90 degrees to install bolts.

Hardware

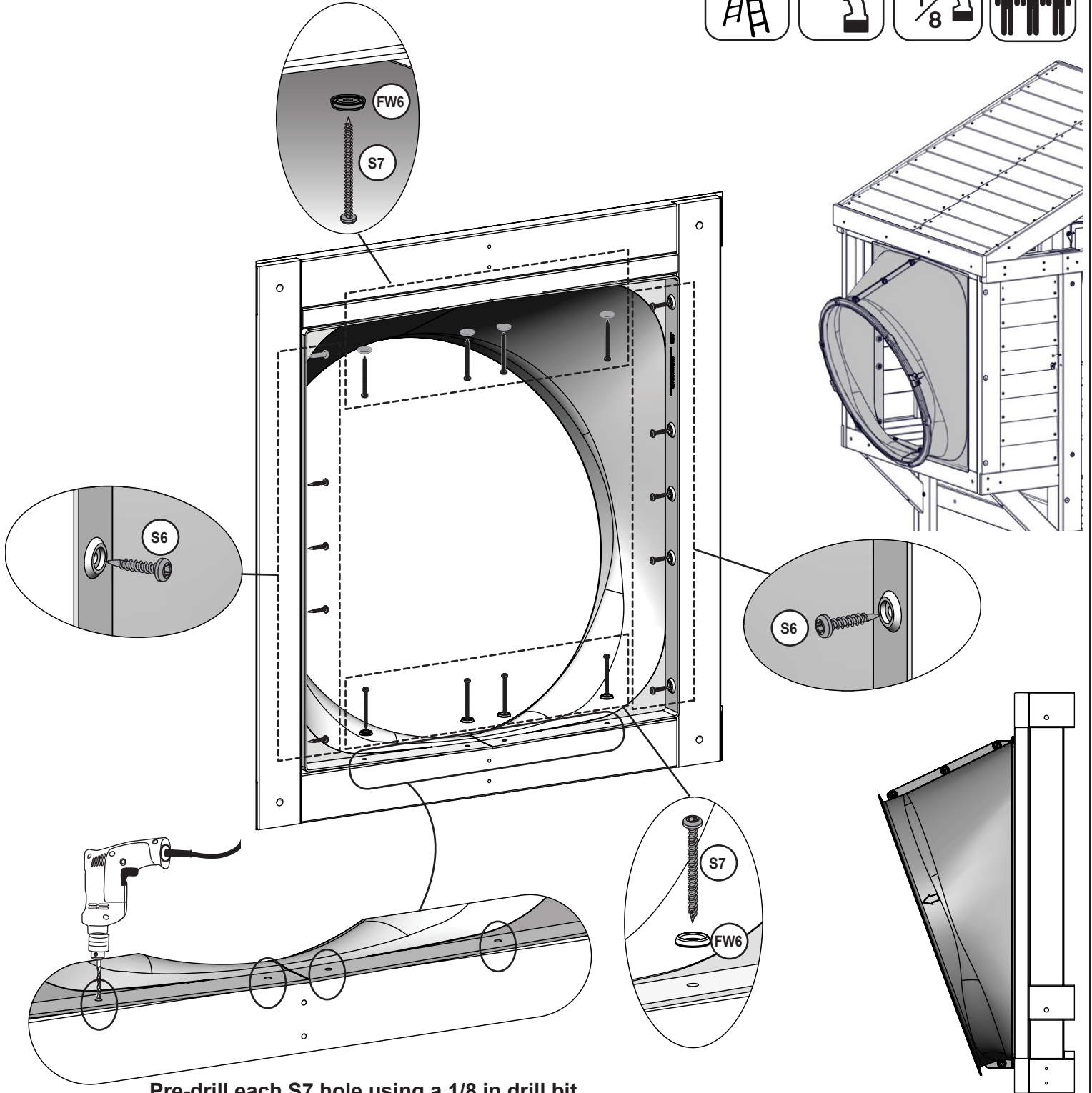
10 x (PB6) 6.4mm x 25.4 mm (1/4 x 1 in) (LN1)

Other Parts

10 x 9300130

133

Note: Structure partly removed for clarity.



Pre-drill each S7 hole using a 1/8 in drill bit.  
 Making sure the pre-drilled holes are a minimum of 1 in deep.

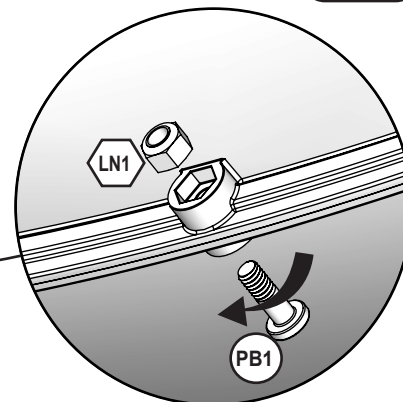
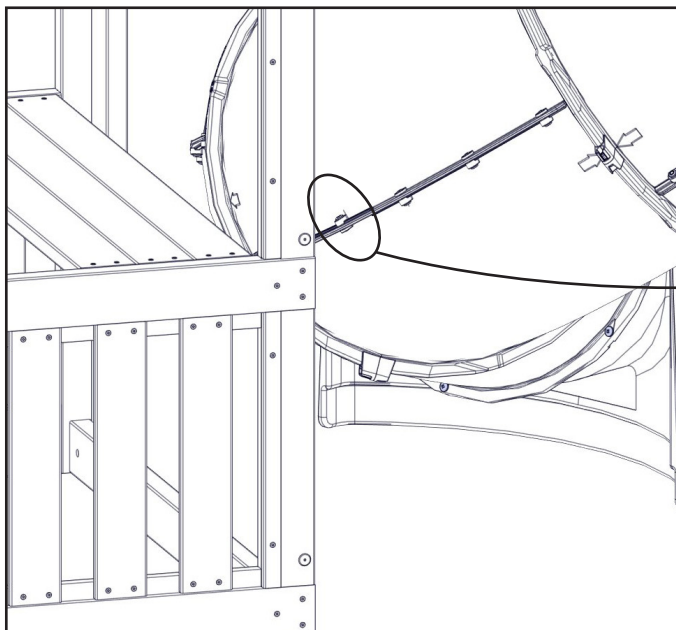
**Hardware**

- 10 x #12 x 25.4mm (#12 x 1 in)
- 8 x #12 x 50.8mm (#12 x 2 in)
- 8 x #12

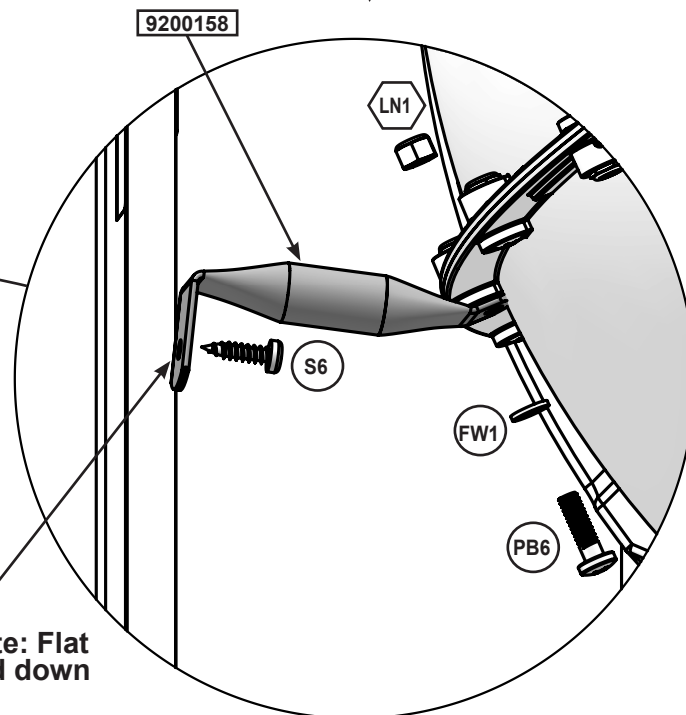
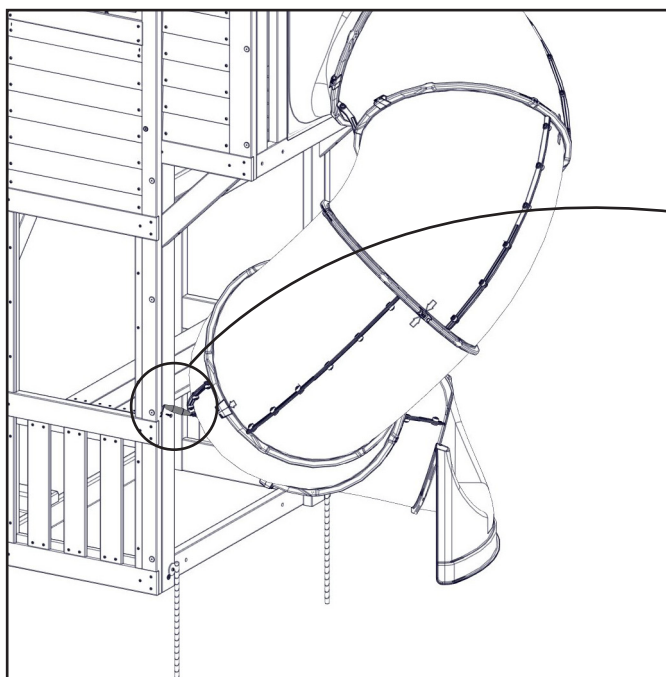
europecustomerservice@kidkraft.com  
 +31 20 305 8620  
 M-F from 09:00 to 17:30 (GMT+1)

parts.kidkraft.eu





Remove PB1 (1/4 x 3/4 in Pan Bolt), The bolt (PB1) will no longer be needed, but keep the lock nut (LN1)



Note: Flat end down

Install PB6 (1/4 x 1 in Pan Bolt) with flat washer (FW1)

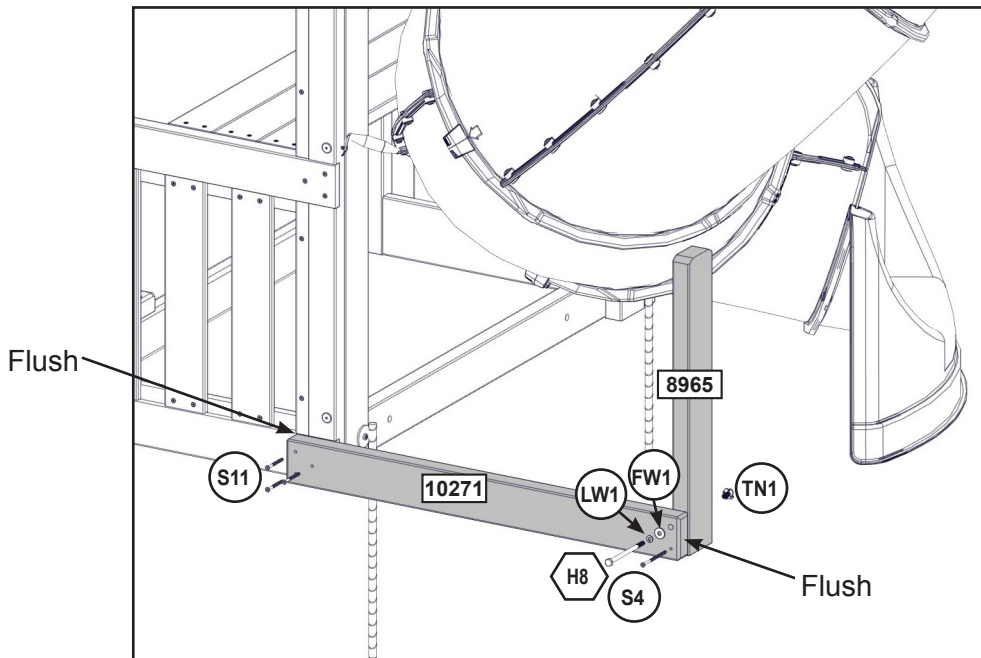
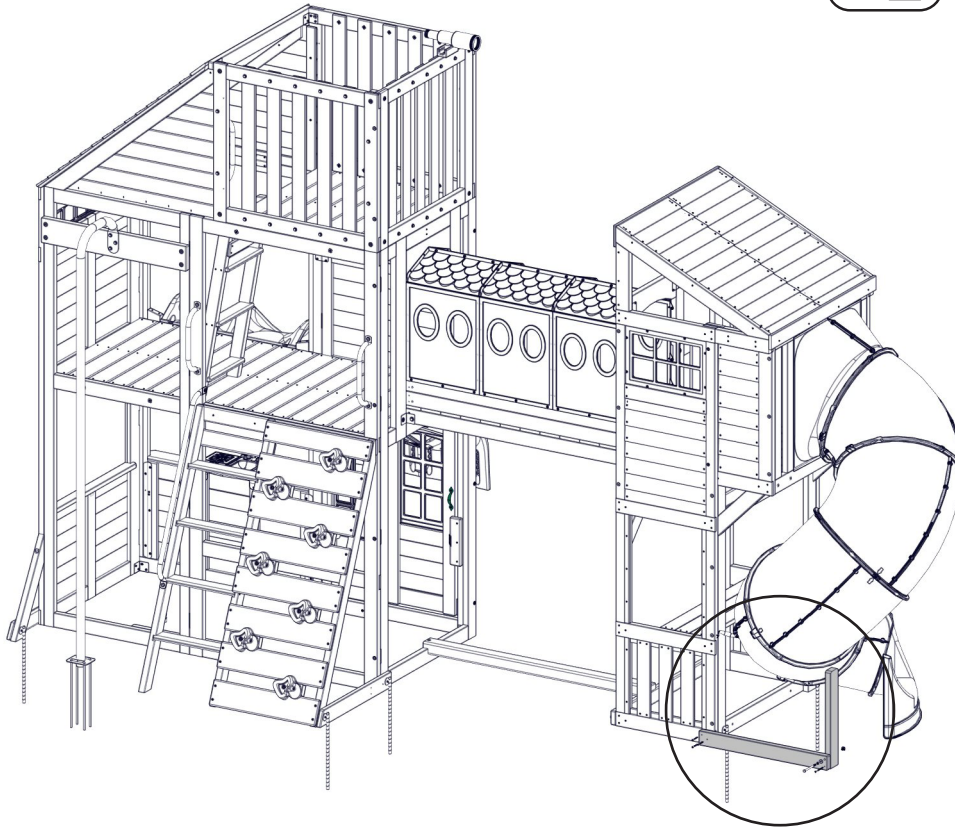
**Hardware**

- 1 x (PB6) 1/4 x 1 in (6.4 x 25.4 mm) (FW1)
- 1 x (S6) #12 x 1 in (#12 x 25.4 mm)

**Other Parts**

- 1 x 9200158





**Wood Parts**

- 1 x 10271 31.8 x 76.2 x 749.6 mm (1 1/4 x 3 x 29 1/2 in)
- 1 x 8965 31.8 x 76.2 x 514.4 mm (1 1/4 x 3 x 20 1/4 in)

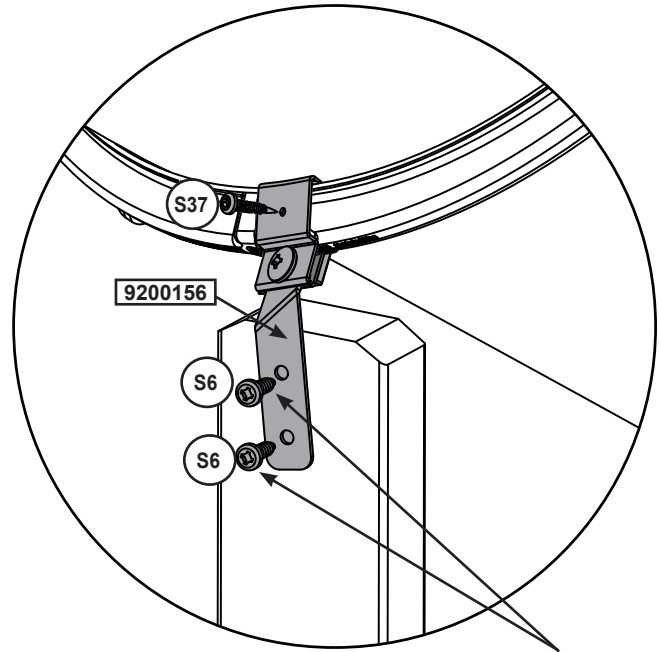
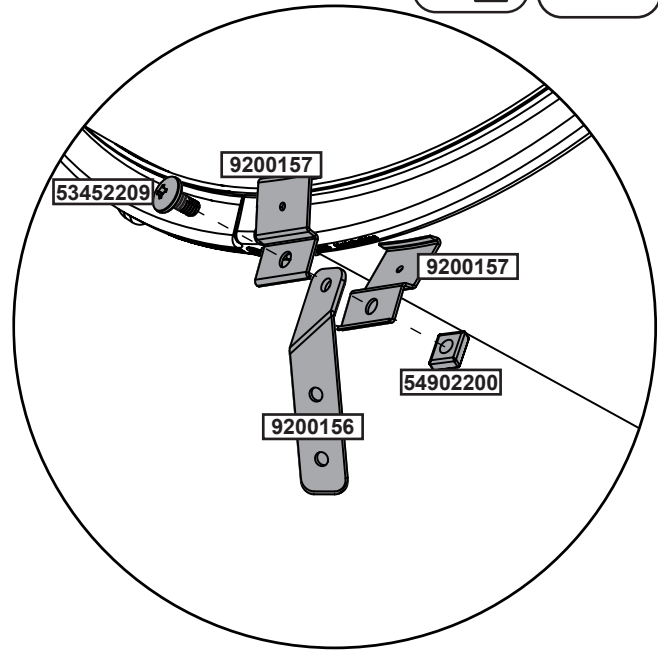
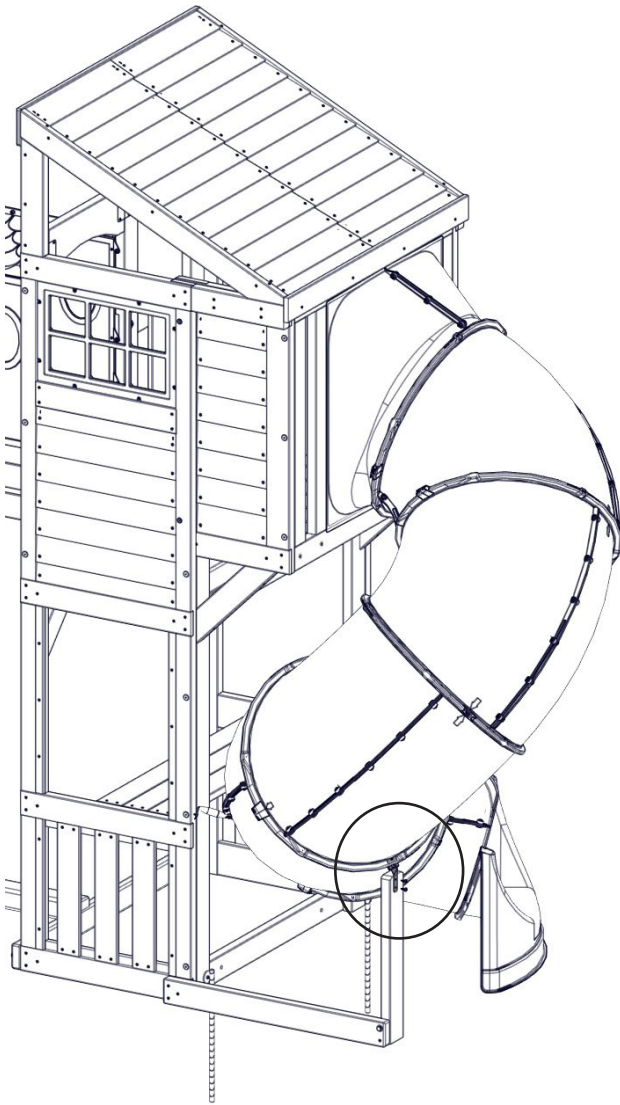
**Hardware**

- 3 x S11 #8 x 50.8mm (#8 x 2 in)
- 1 x S4 #8 x 76.2mm (#8 x 3 in)
- 1 x H8 6.4mm x 108mm (1/4 x 4-1/4 in)(FW1, LW1, TN1)

europcustomerservice@kidkraft.com  
 +31 20 305 8620  
 M-F from 09:00 to 17:30 (GMT+1)

parts.kidkraft.eu





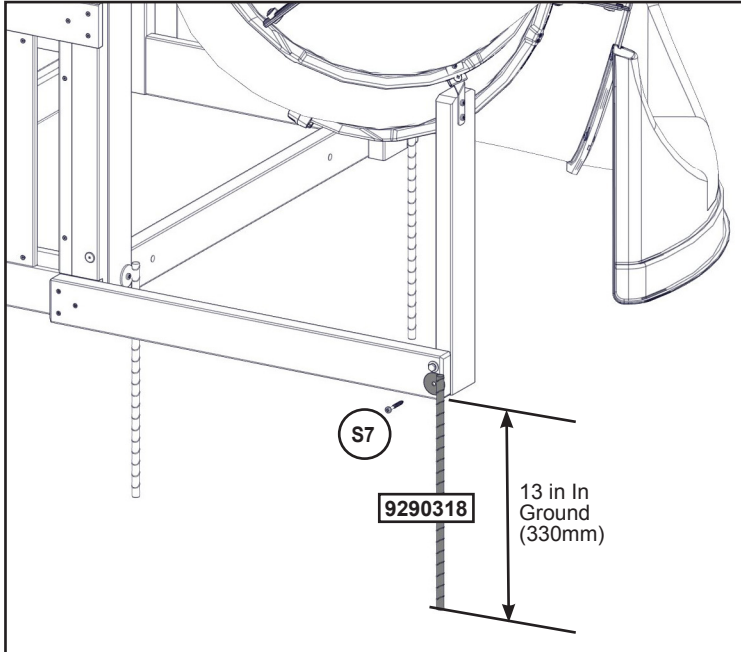
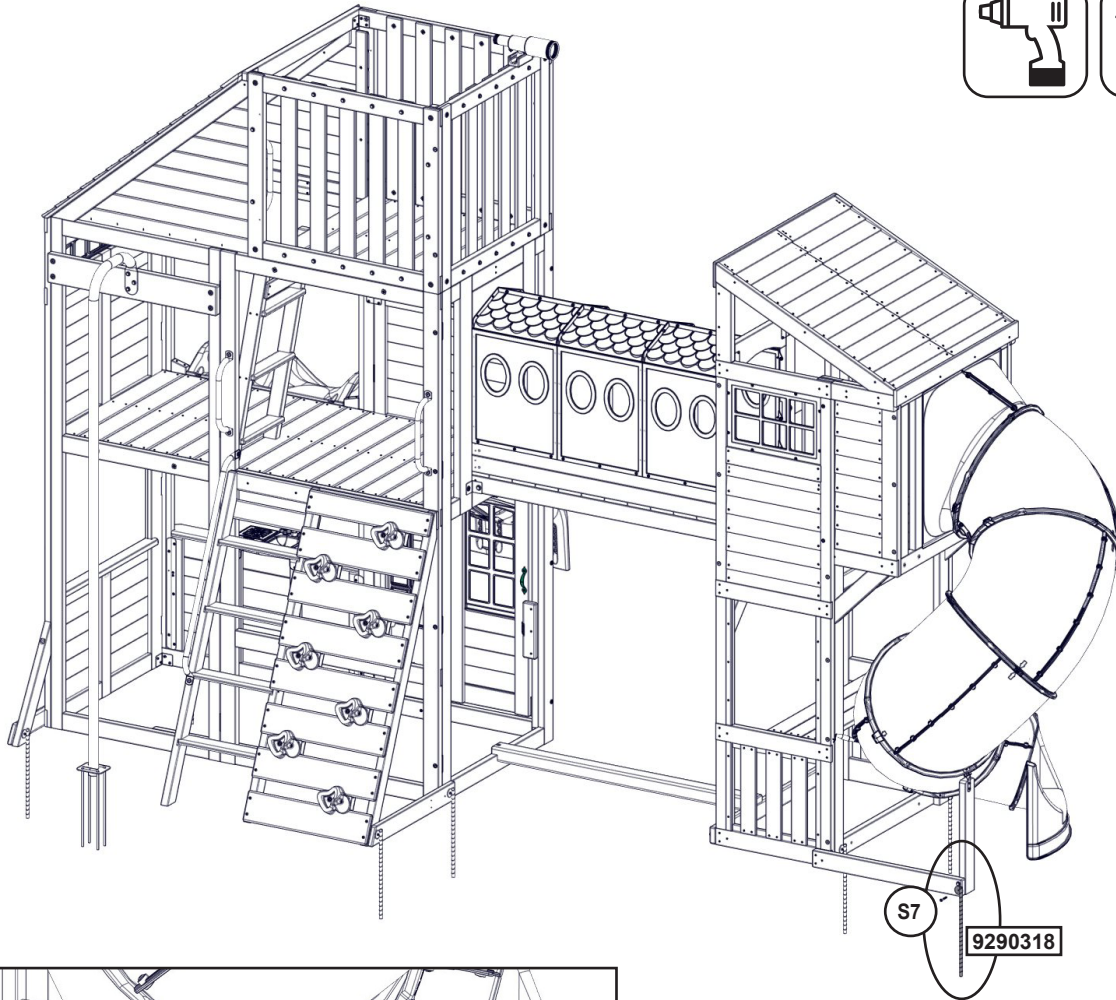
Pre-drill with a 1/8 in drill bit.

**Hardware**

- 1 x (S37) #7 x 15.87mm (#7 x 5/8 in)
- 2 x (S6) #12 x 25.4mm (#12 x 1 in)

**Other Parts**

- 1 x [54902200]    2 x [9200157]
- 1 x [9200156]    1 x [53452209] 1/4 x 14.5mm



**Warning!** To prevent tipping and avoid potential injury, stakes must be driven 13 in(330mm) into ground. Digging or driving stakes can be dangerous if you do not check first for under-ground wiring, cables or gas lines.

**Hardware**

1 x **S7** #12 x 50.8mm (#12 x 2 in)

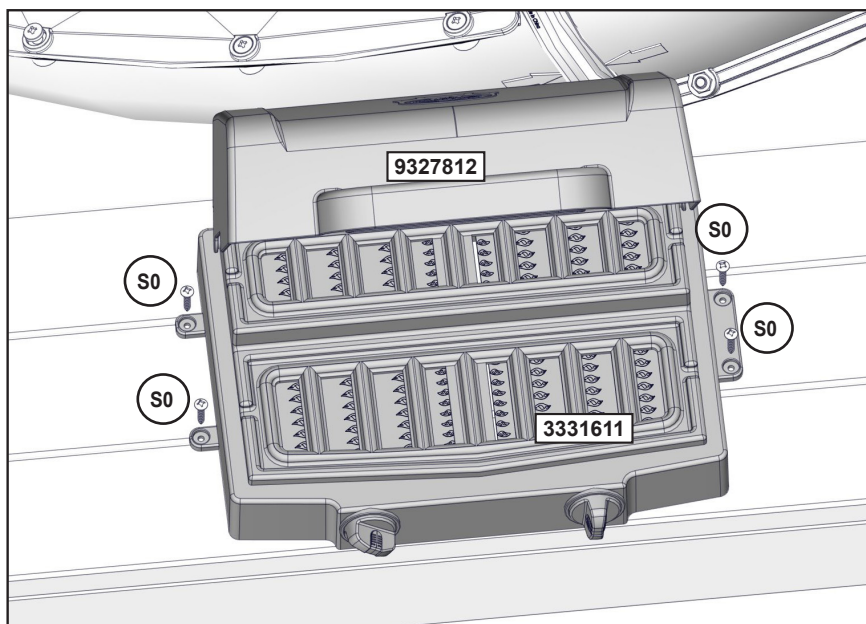
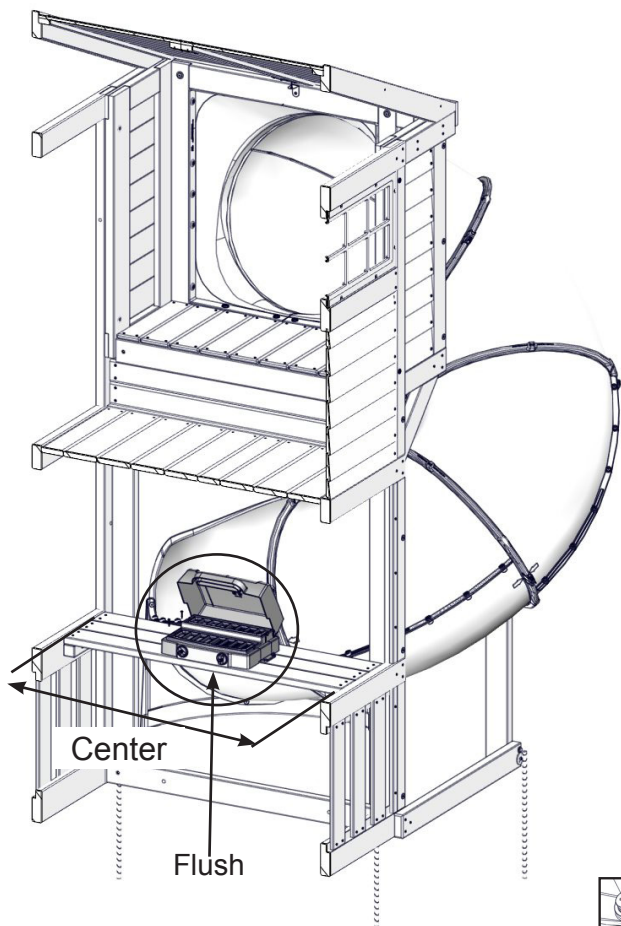
**Other Parts**

1 x **9290318**





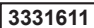
**Note: Structure partly removed for clarity.**

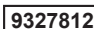


**Hardware**

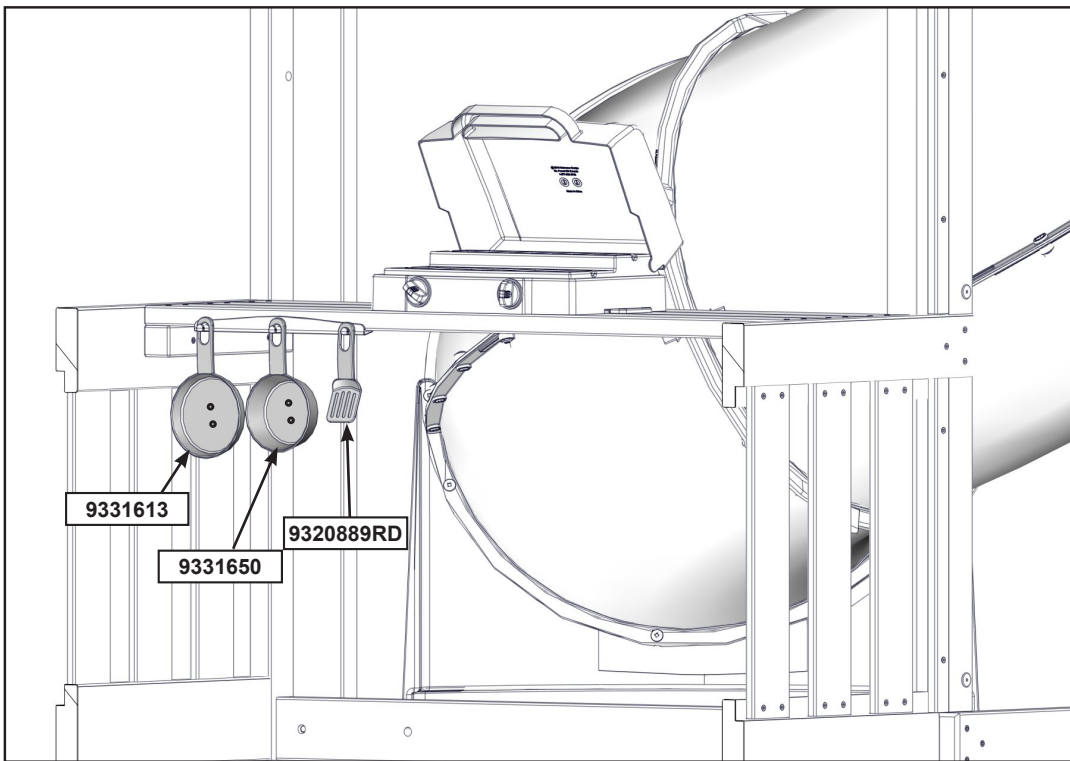
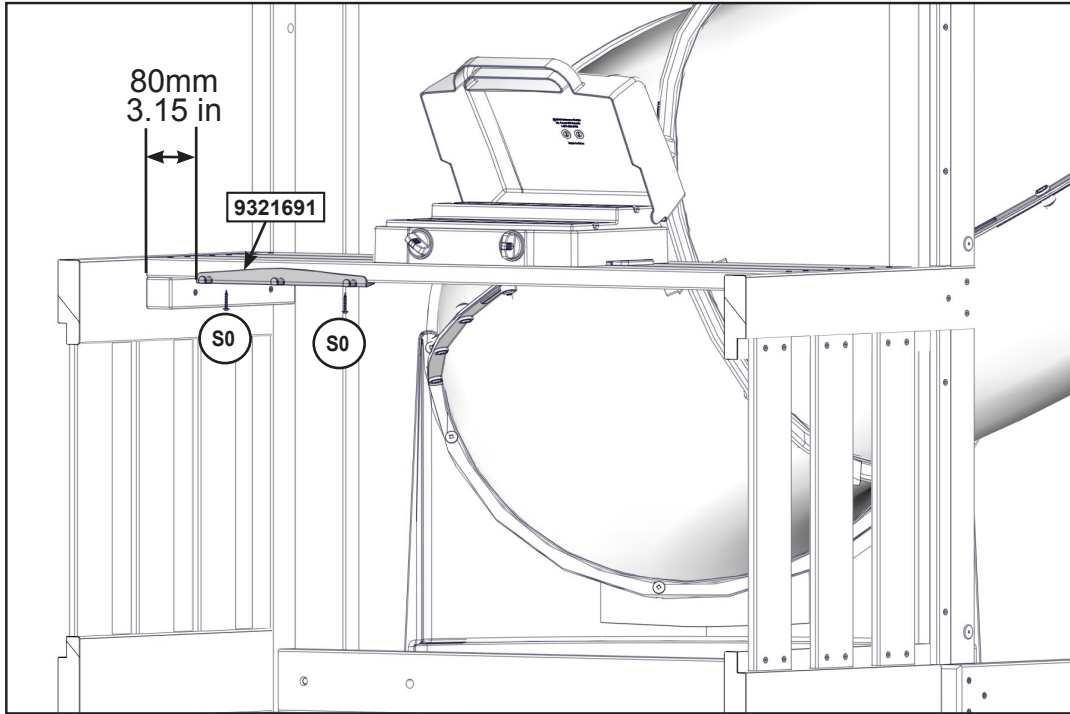
4 x  #8 x 22.2mm (#8 x 7/8 in)

**Other Parts**

1 x 

1 x 

Note: Structure partly removed for clarity.



**Hardware**

2 x  #8 x 22.2mm (#8 x 7/8 in)

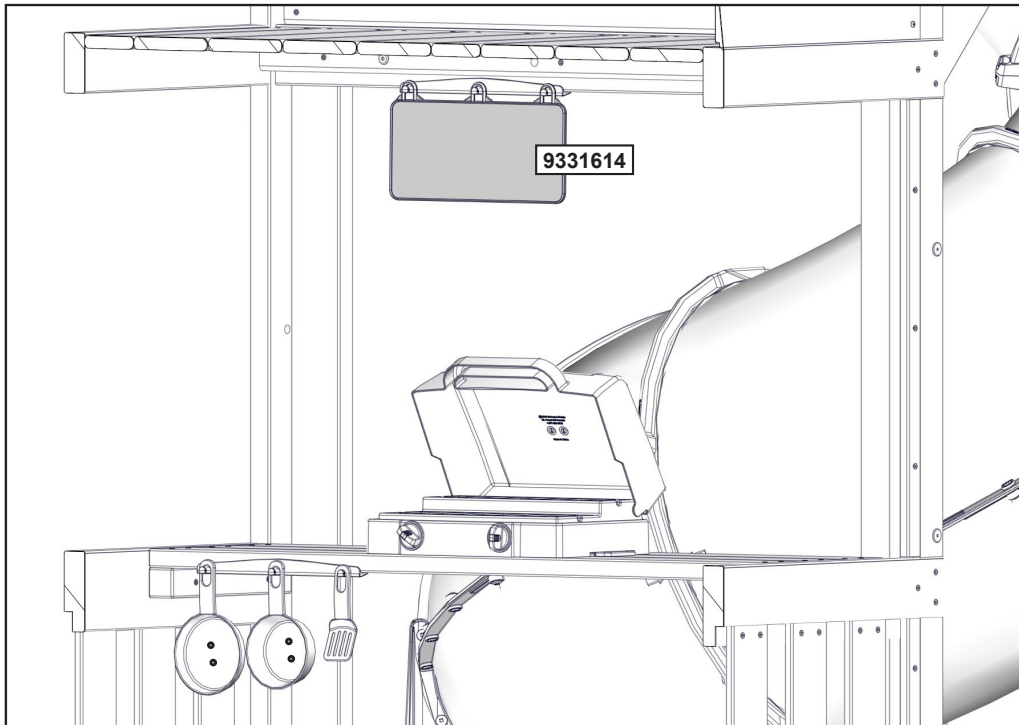
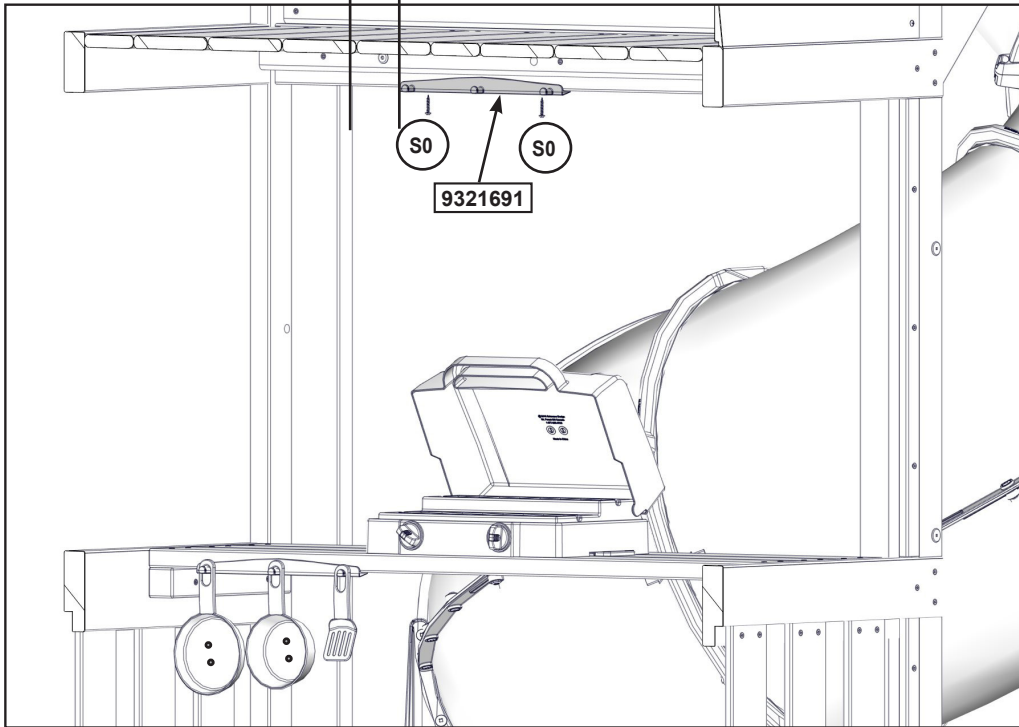
**Other Parts**

1 x 	1 x 
1 x 	1 x 



Note: Structure partly removed for clarity.

127mm  
5"



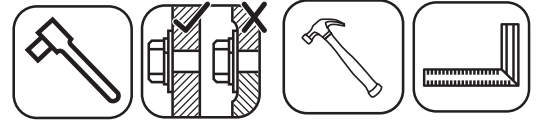
**Hardware**

2 x #8 x 22.2mm (#8 x 7/8 in)

**Other Parts**

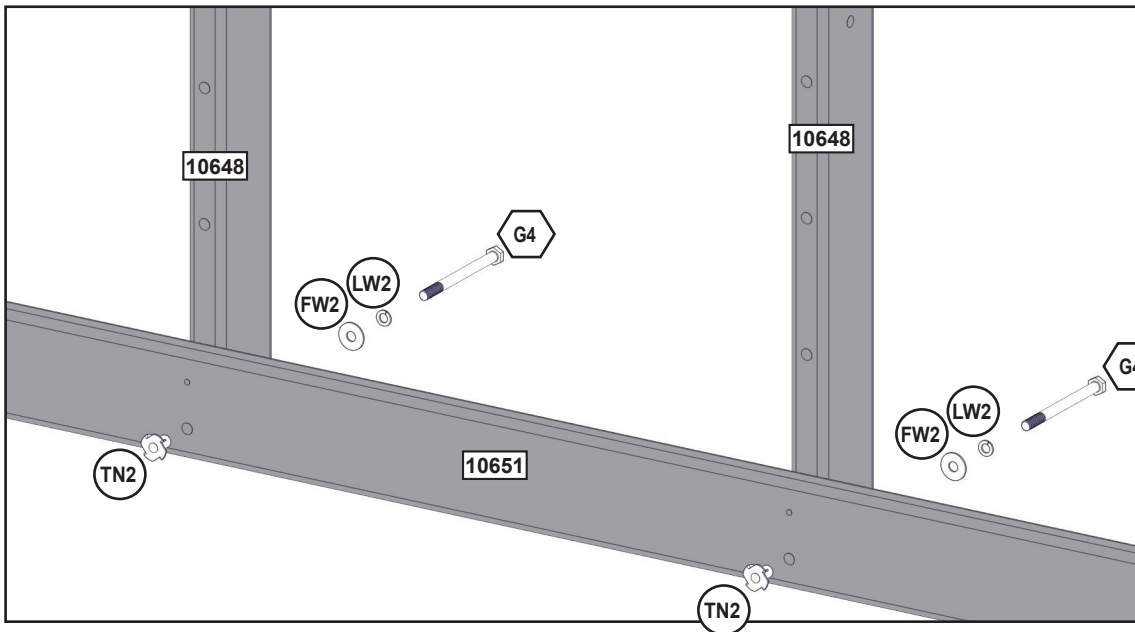
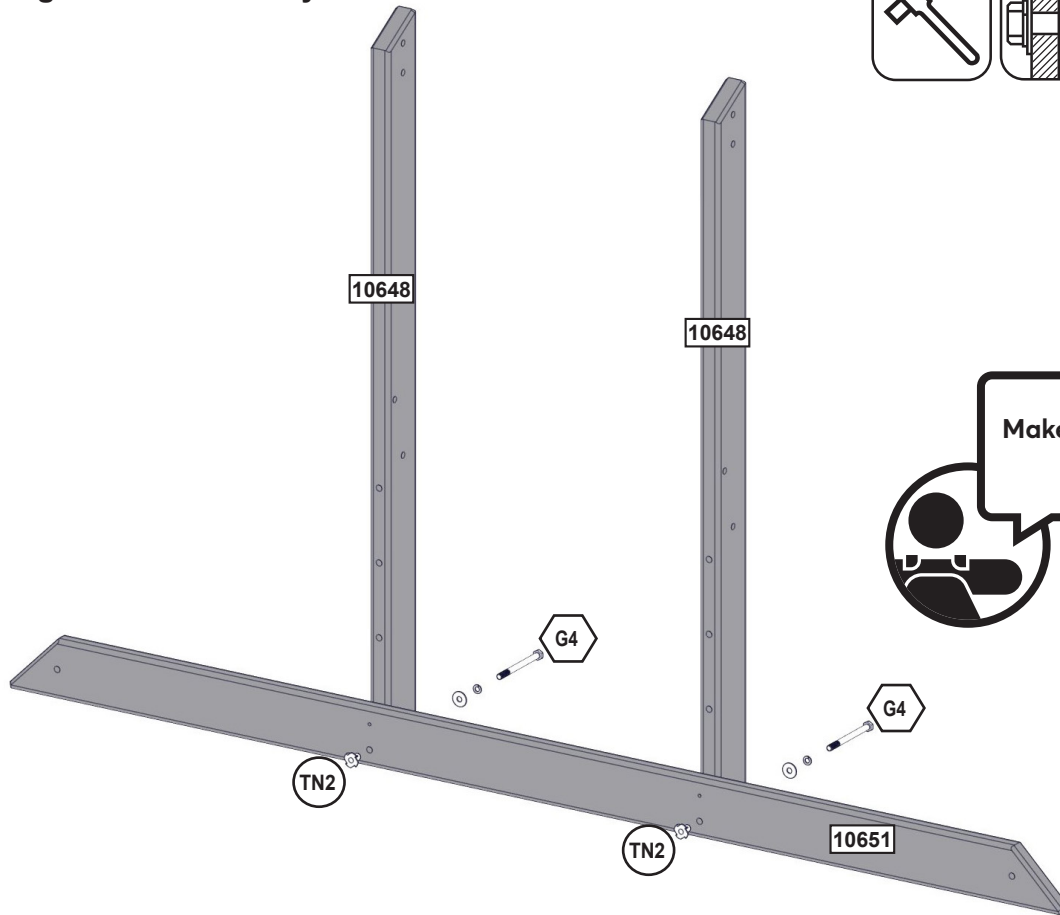
1 x 9321691  
1 x 9331614

# 141 Swing Ladder Assembly



Assemble T-Nuts first with hammer!

Make sure the assembly is square



### Wood Parts

- 2 x 31.8 x 76.2 x 1107.6 mm (1 1/4 x 3 x 43 5/8 in)
- 1 x 25.4 x 88.9 x 1752.2 mm (1 x 3 1/2 x 69 in)

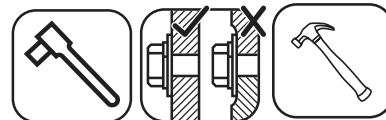
### Hardware

- 2 x 7.9mm x 101.5mm (5/16 x 4 in)(LW2,FW2,TN2)

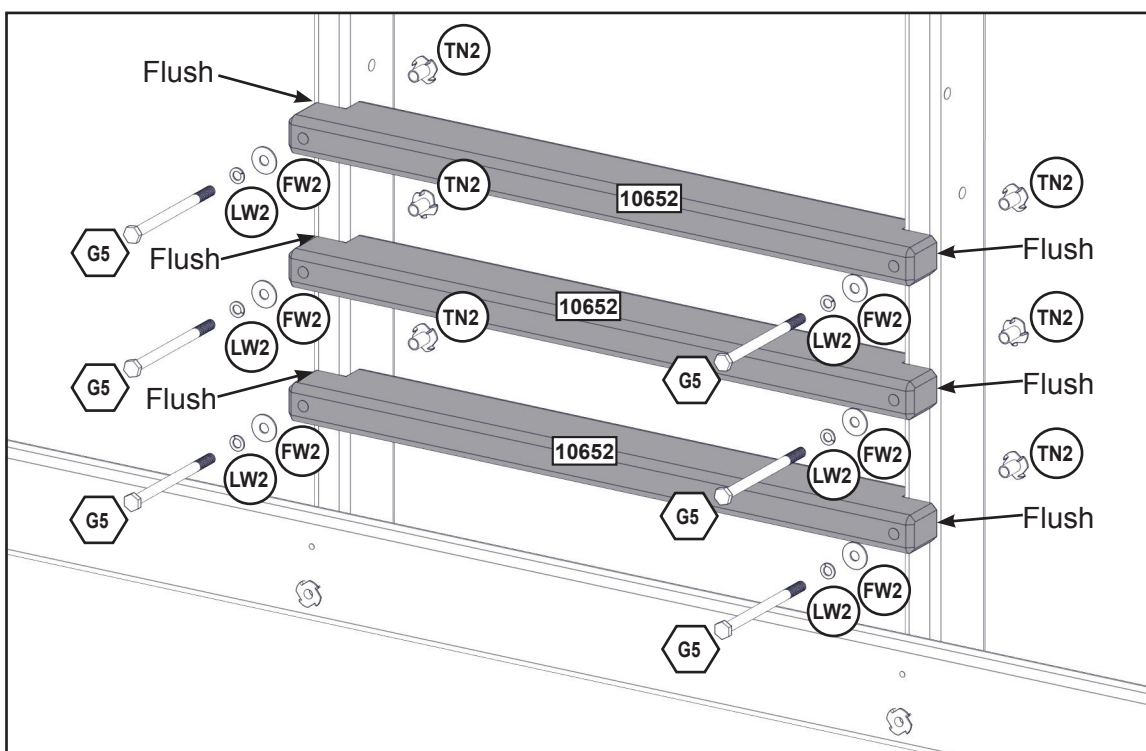
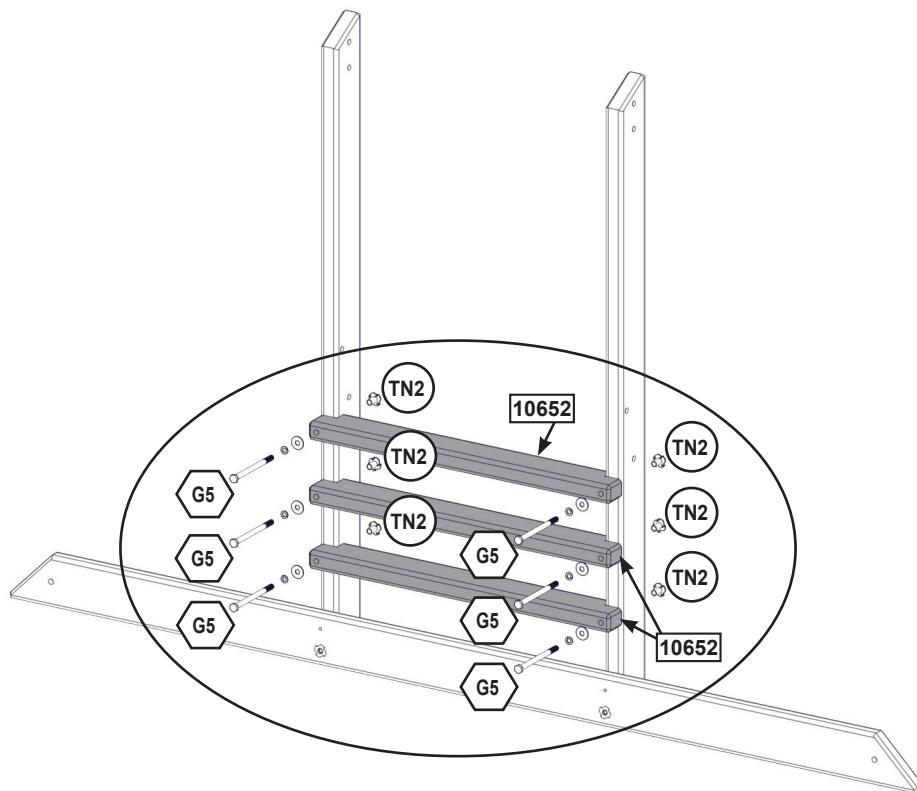
europecustomerservice@kidkraft.com  
 +31 20 305 8620  
 M-F from 09:00 to 17:30 (GMT+1)

parts.kidkraft.eu





**Assemble T-Nuts first with hammer!**



**Wood Parts**

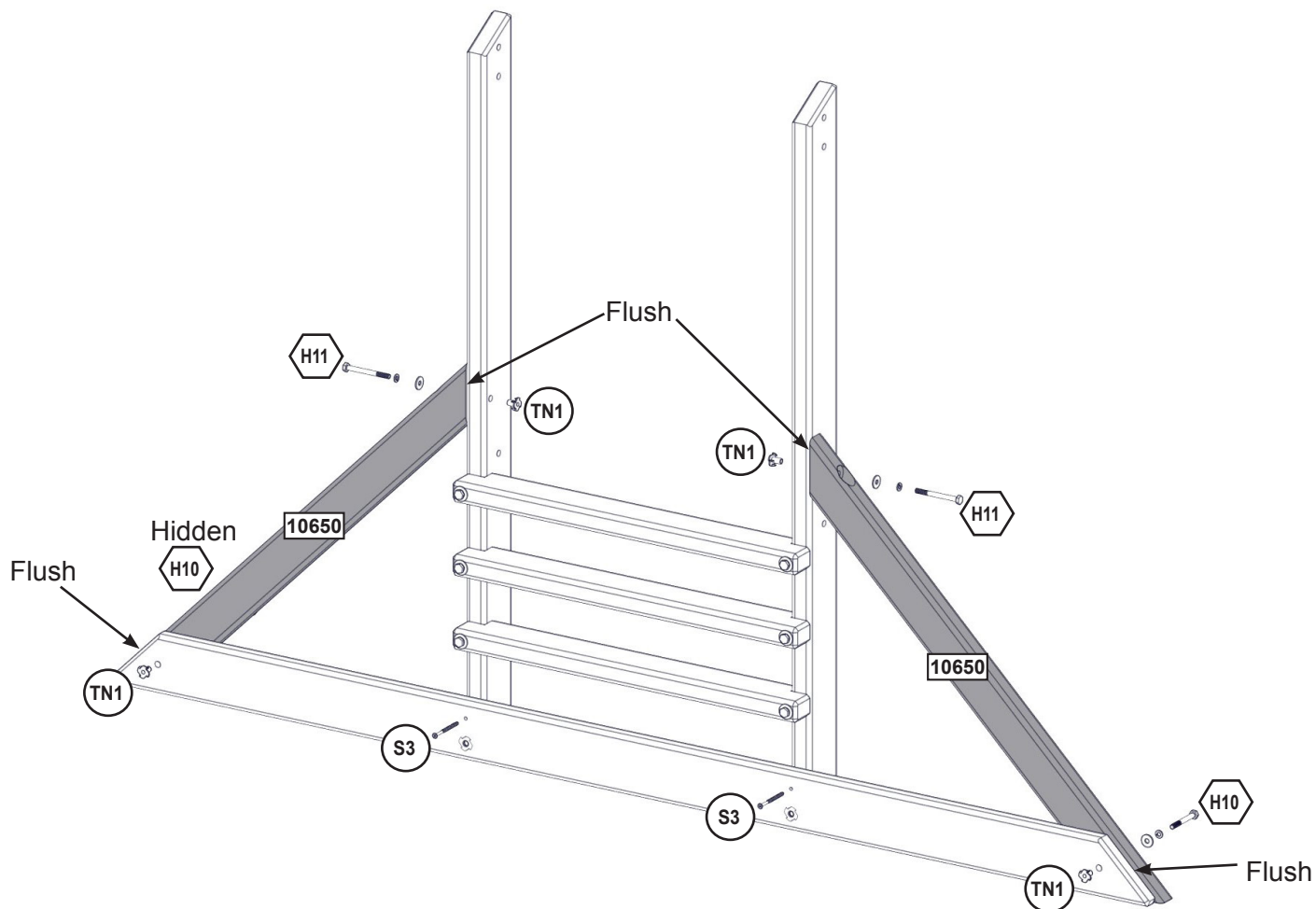
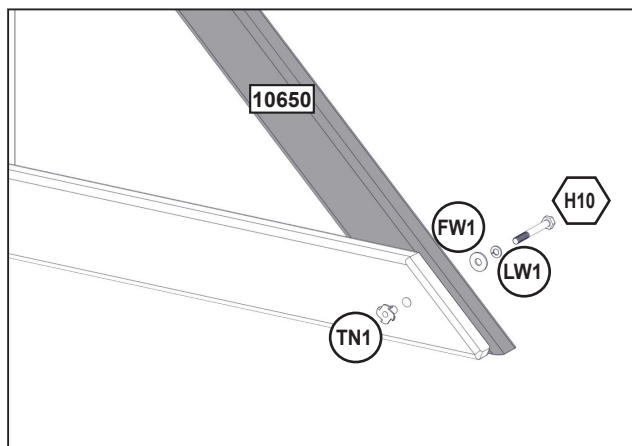
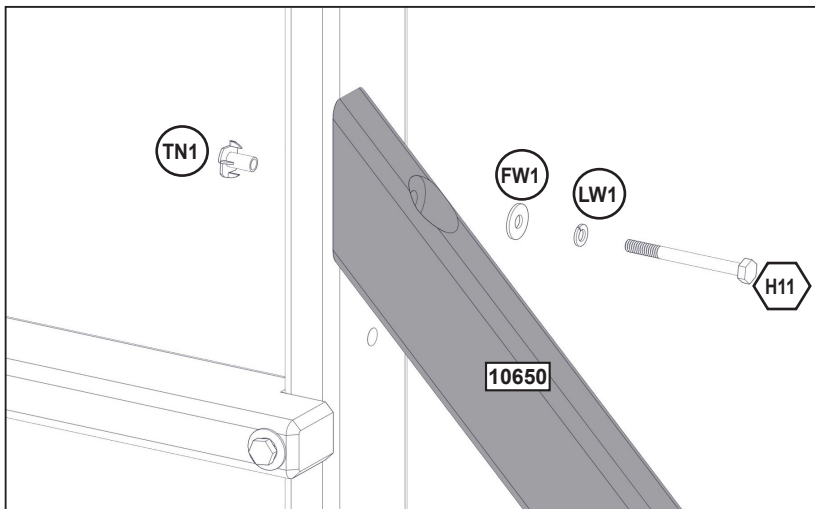
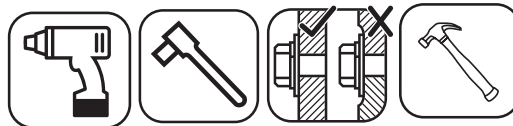
3 x 10652 31.8 x 63.5 x 575.6 mm (1 1/4 x 2 1/2 x 22 21/32 in)

**Hardware**

6 x G5 7.9mm x 114.3mm (5/16 x 4-1/2 in)(LW2,FW2,TN2)



Assemble T-Nuts first with hammer!



**Wood Parts**

2 x **10650** 31.8 x 63.5 x 832.9 mm (1 1/4 x 2 1/2 x 32 13/16 in)

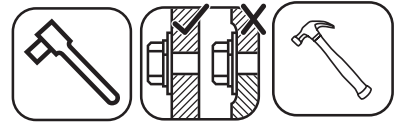
**Hardware**

2 x **H10** 6.4mm x 57.2mm (1/4 x 2-1/4 in)(FW1, LW1, TN1)

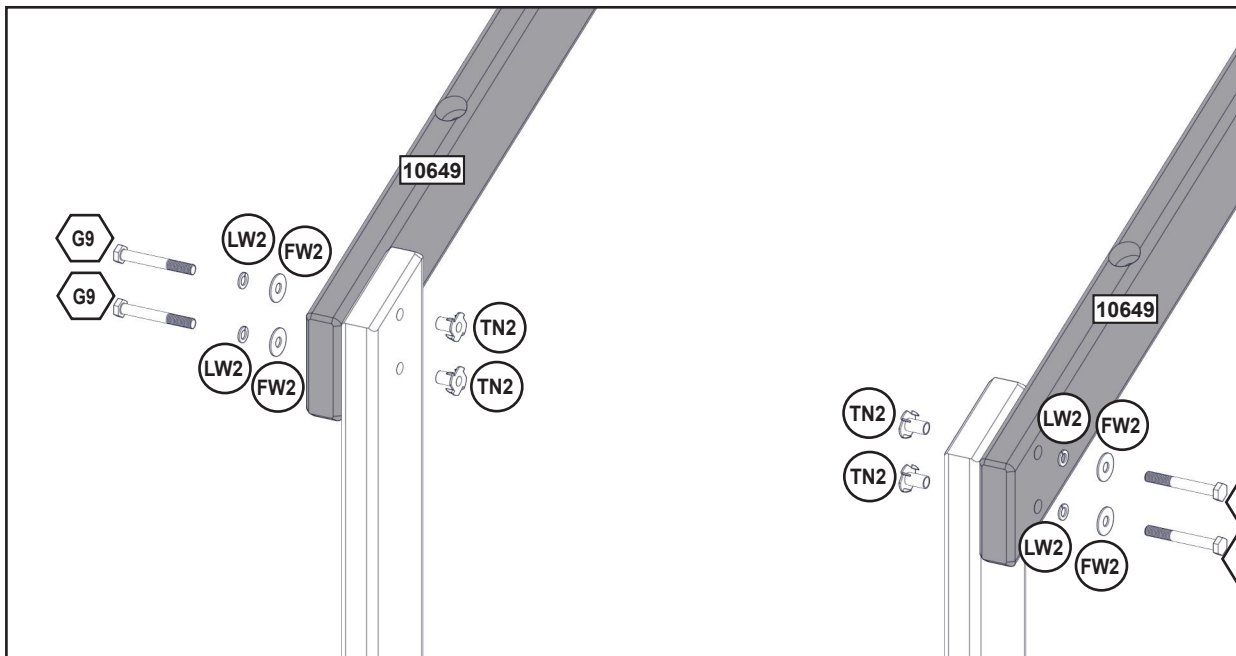
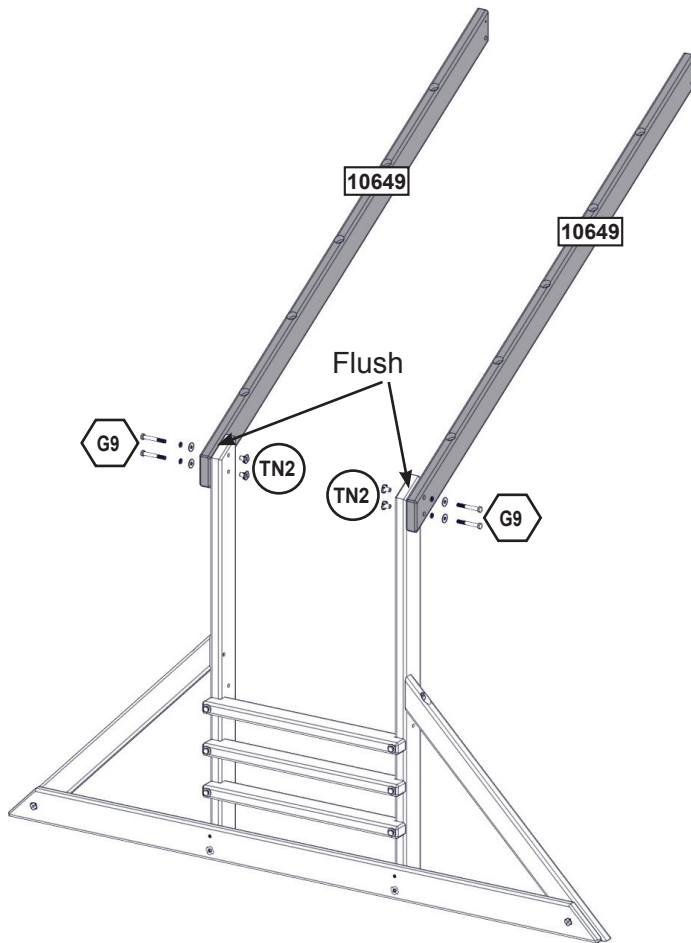
2 x **H11** 6.4mm x 69.9mm (1/4 x 2-3/4 in)(FW1, LW1, TN1)

2 x **S3** #8 x 63.5mm (#8 x 2-1/2 in)





**Assemble T-Nuts  
first with hammer!**

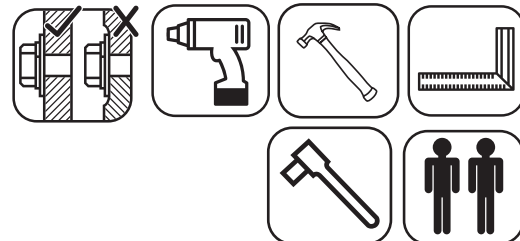


**Wood Parts**

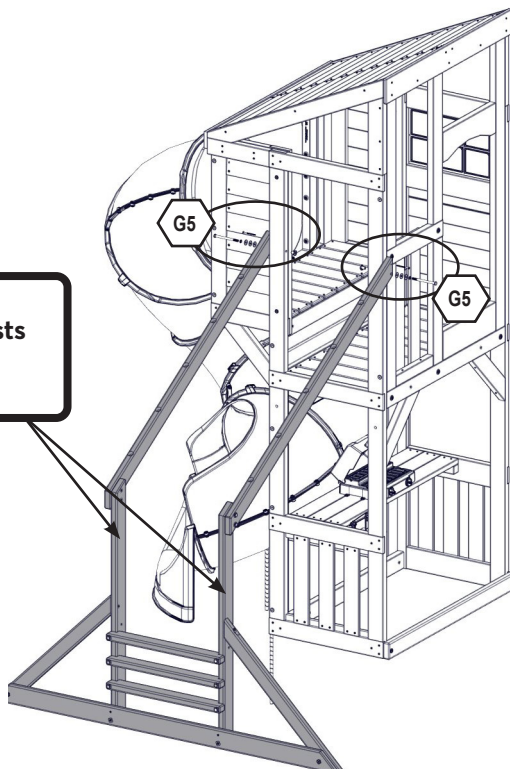
2 x **10649** 31.8 x 76.2 x 1583.5 mm (1 1/4 x 3 x 62 5/16 in)

**Hardware**

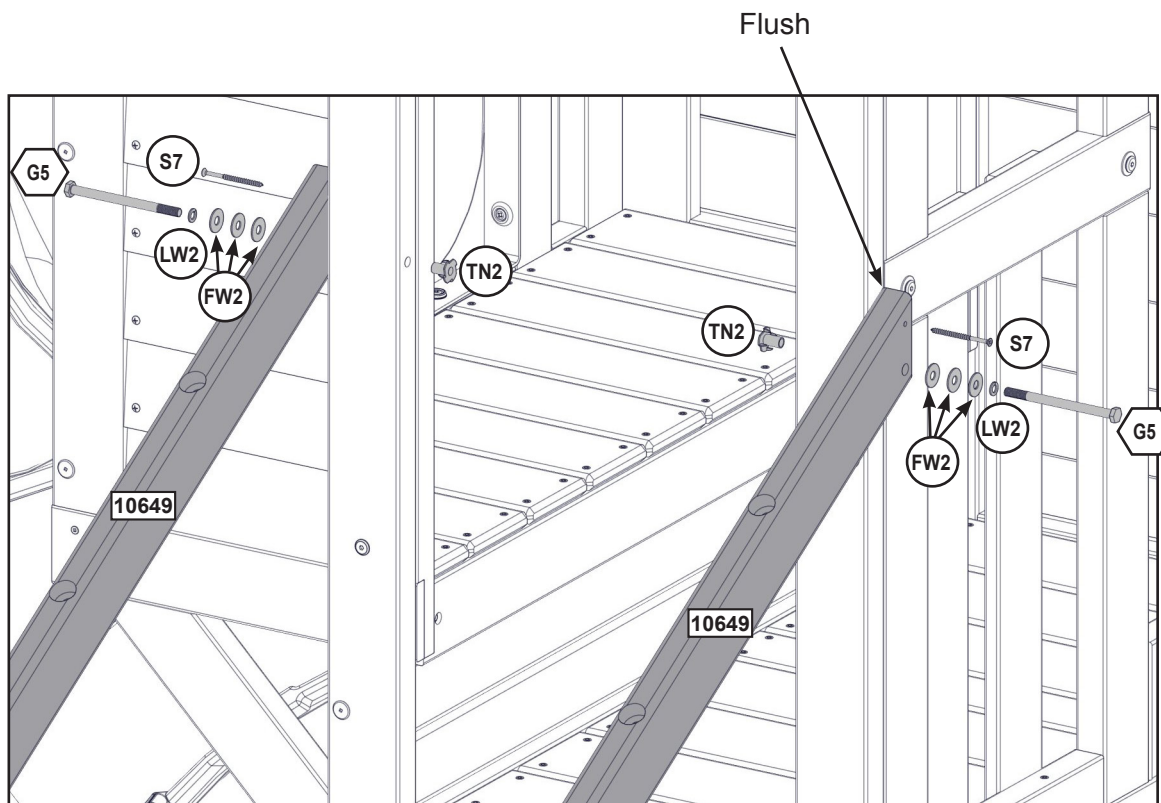
4 x **G9** 7.9mm x 63.5mm (5/16 in x 2-1/2 in)( LW2, FW2, TN2 )



Make sure both posts are vertical



Assemble T-Nuts first with hammer!



**Hardware**

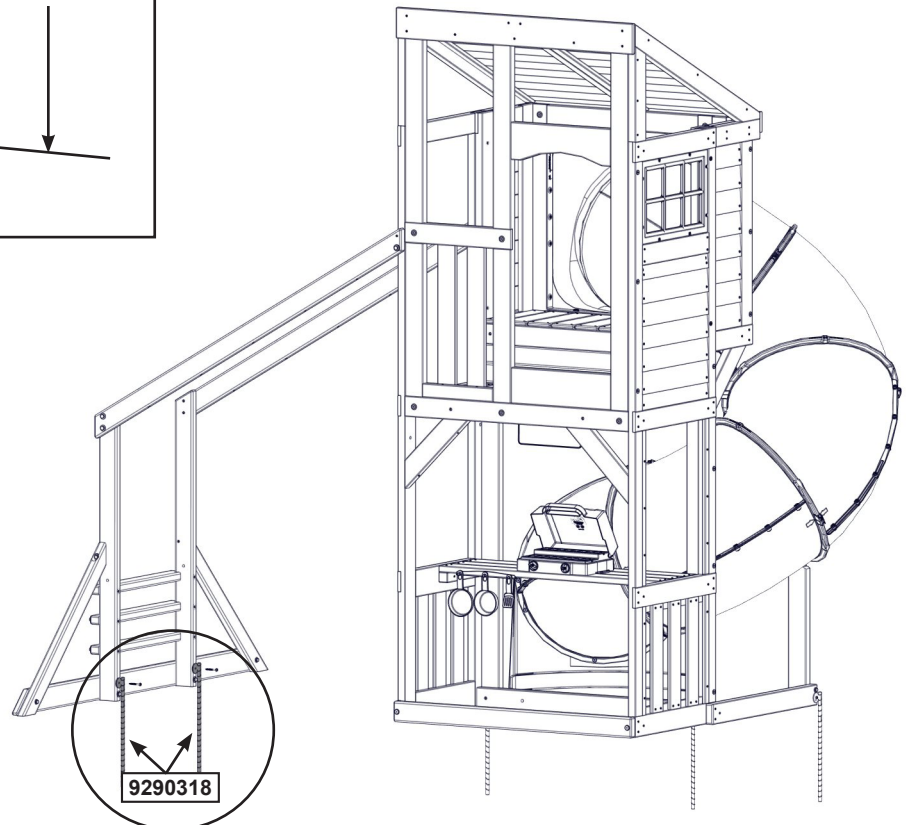
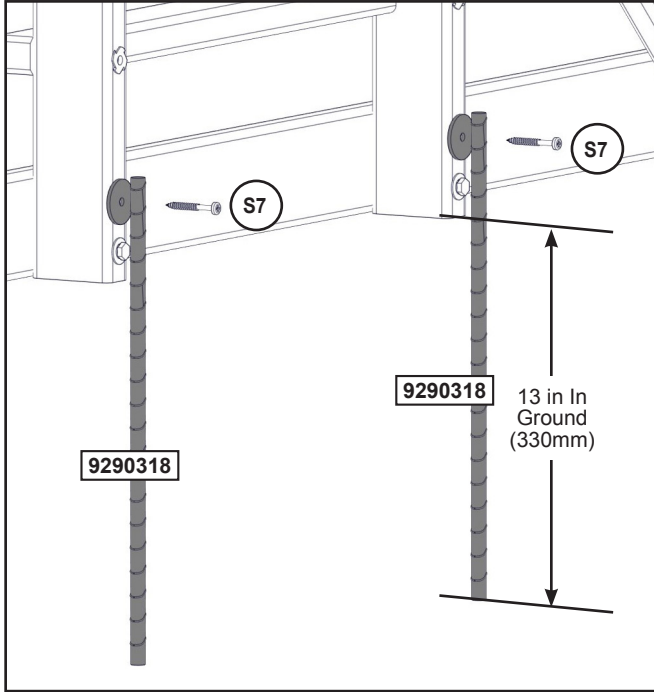
2 x 7.9mm x 114.3mm (5/16 x 4-1/2 in)(LW2,FW2 x 3 ,TN2)

2 x #12 x 50.8mm (#12 x 2 in)





**Warning!** To prevent tipping and avoid potential injury, stakes must be driven 13 in (330mm) into ground. Digging or driving stakes can be dangerous if you do not check first for under-ground wiring, cables or gas lines.



**Hardware**

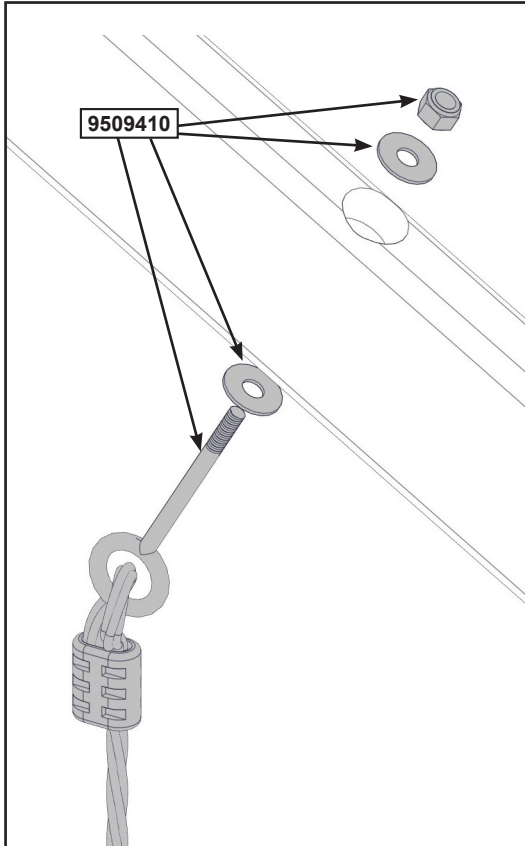
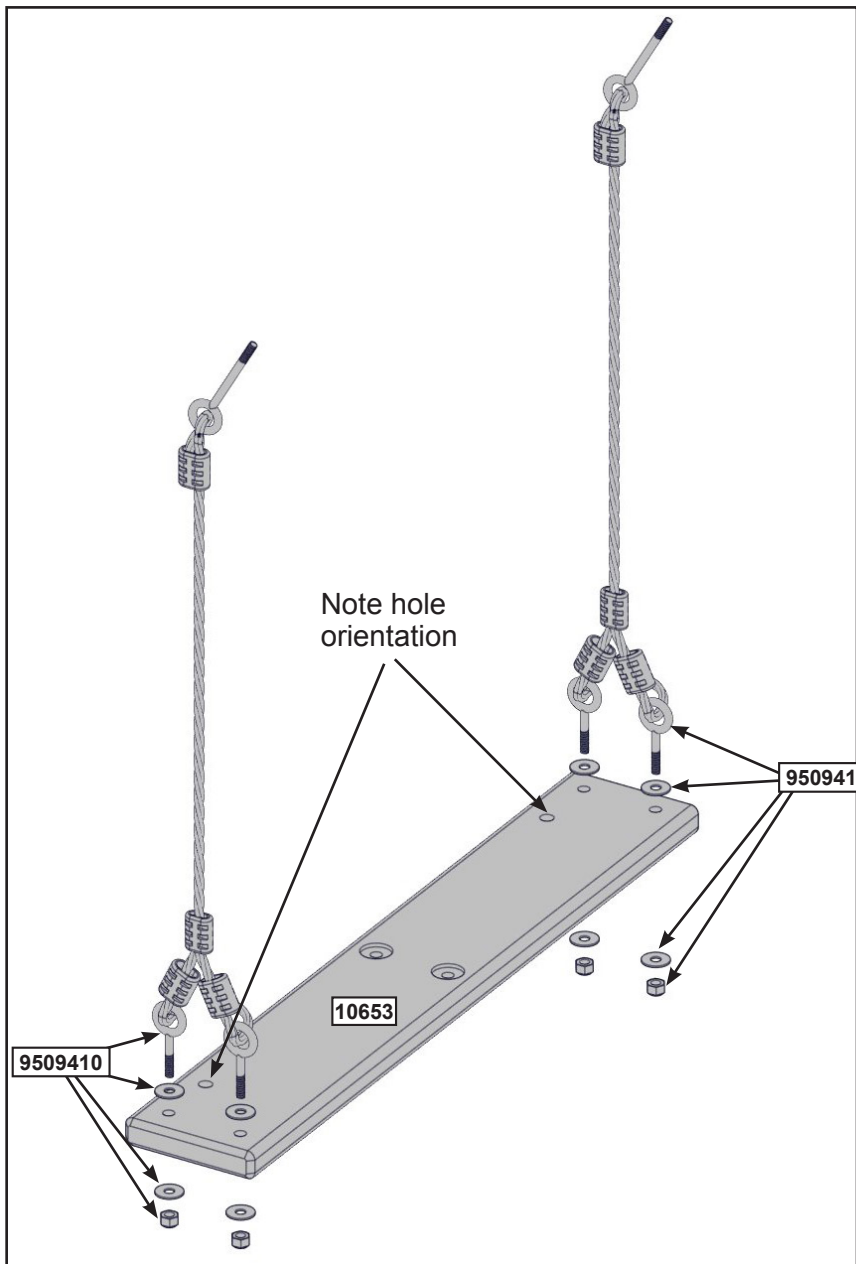
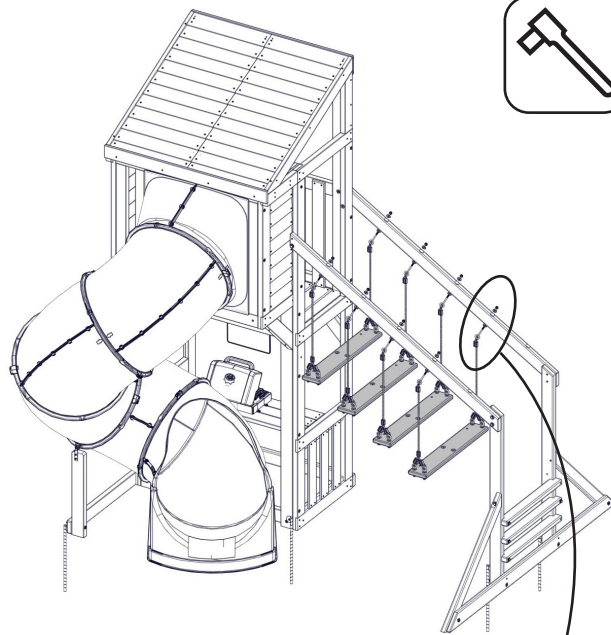
2 x **S7** #12 x 50.8mm (#12 x 2 in)

**Other Parts**

2 x **9290318**



Complete this step four times



**Wood Parts**

4 x 10653 31.8 x 114.3 x 658.2 mm (15/16 x 4 1/2 x 25 15/16 in)

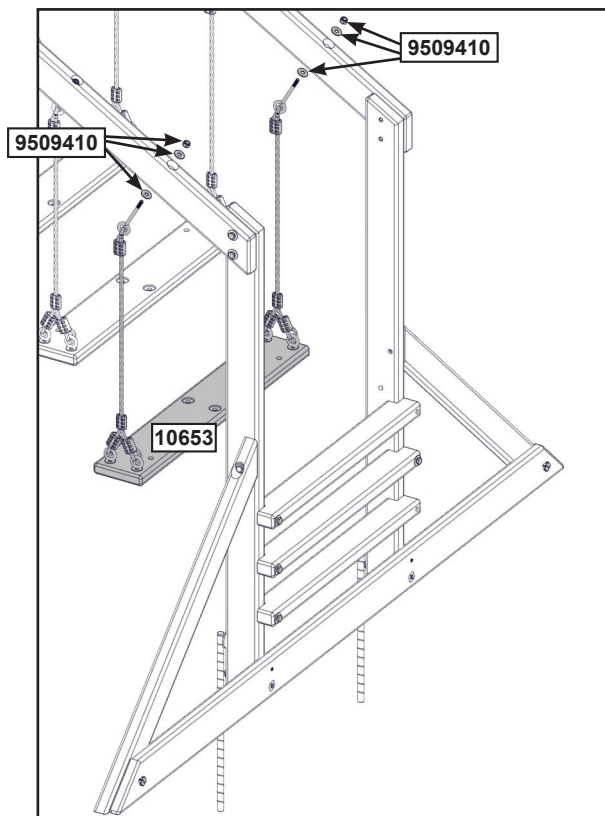
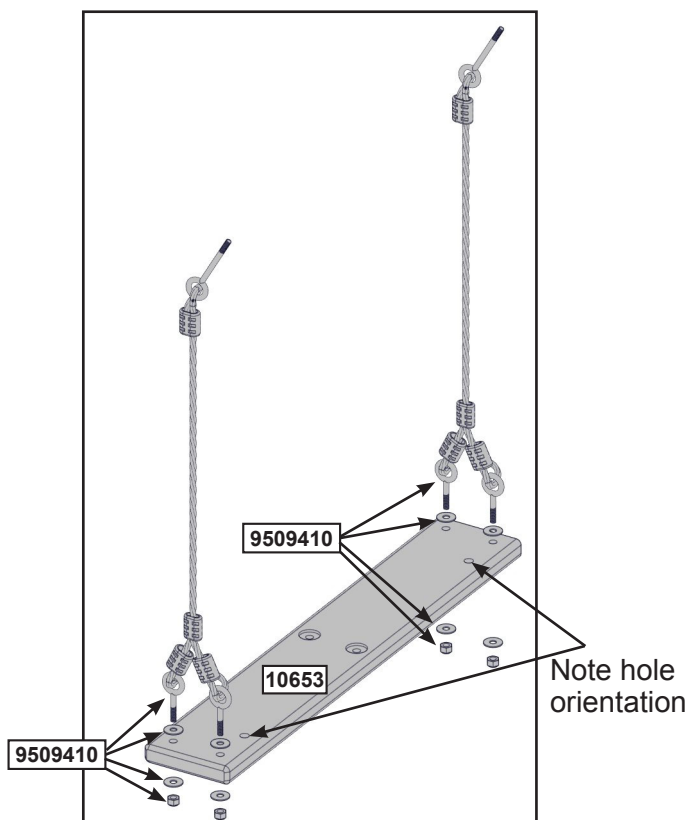
**Other Parts**

8 x 9509410

europecustomerservice@kidkraft.com  
+31 20 305 8620  
M-F from 09:00 to 17:30 (GMT+1)

parts.kidkraft.eu



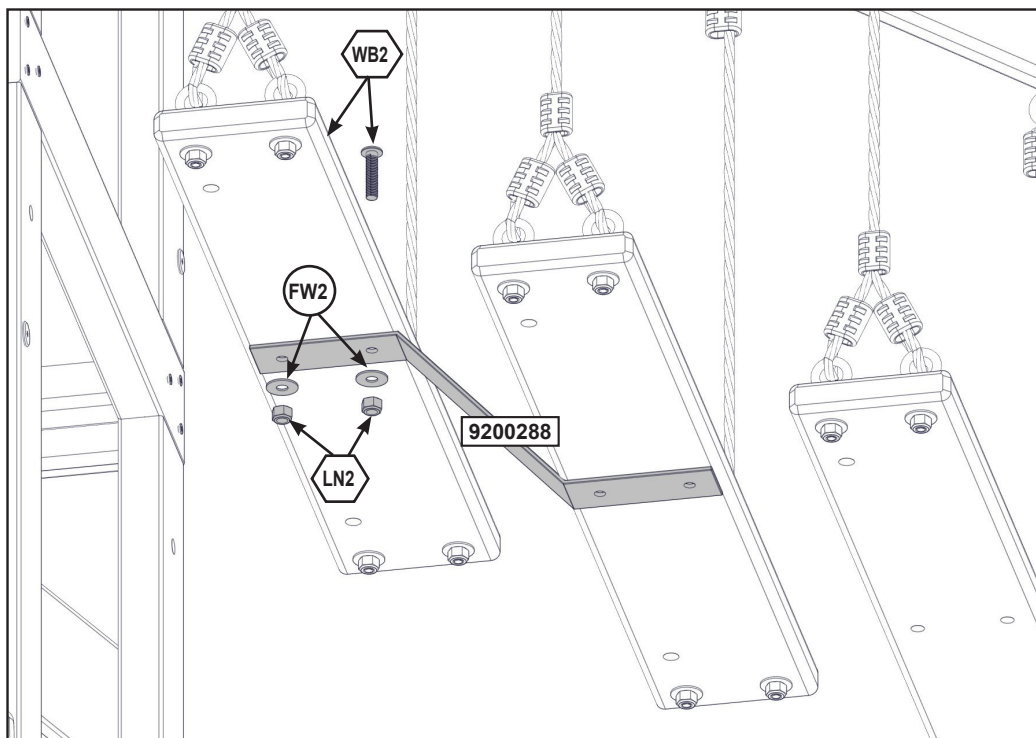
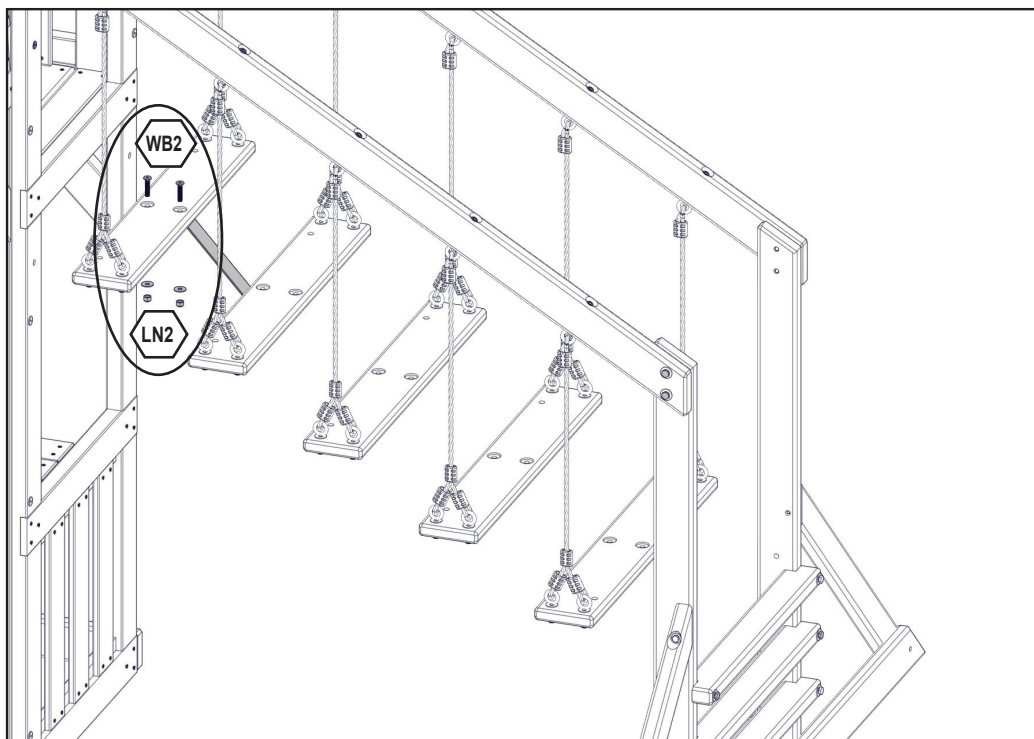


**Wood Parts**

1 x 10653 31.8 x 114.3 x 658.2 mm (15/16 x 4 1/2 x 25 15/16 in)

**Other Parts**


2 x 9509410



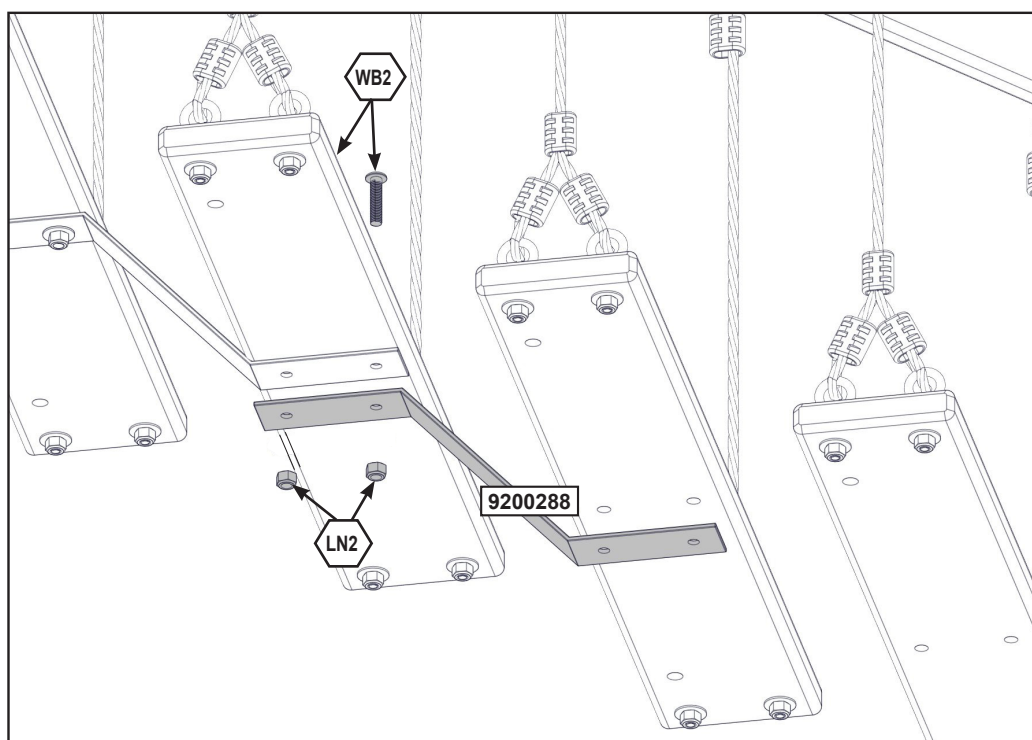
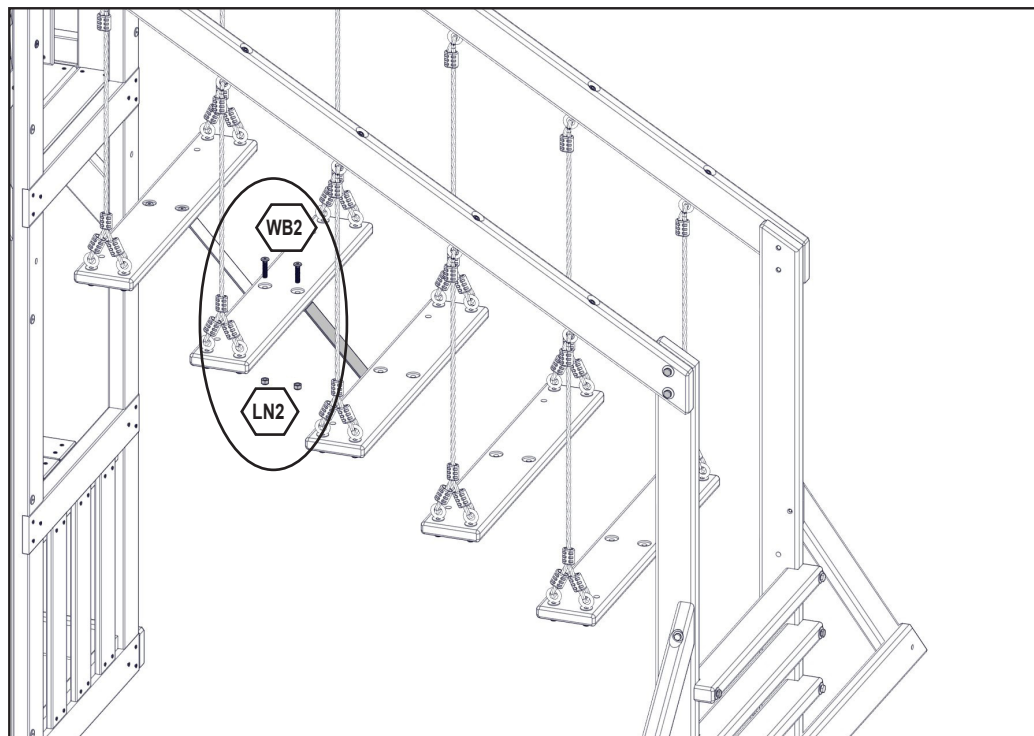
**Hardware**

2 x  7.9mm x 34.9 mm (5/16 x 1-3/8 in)(FW2, LN2)

**Other Parts**

1 x 






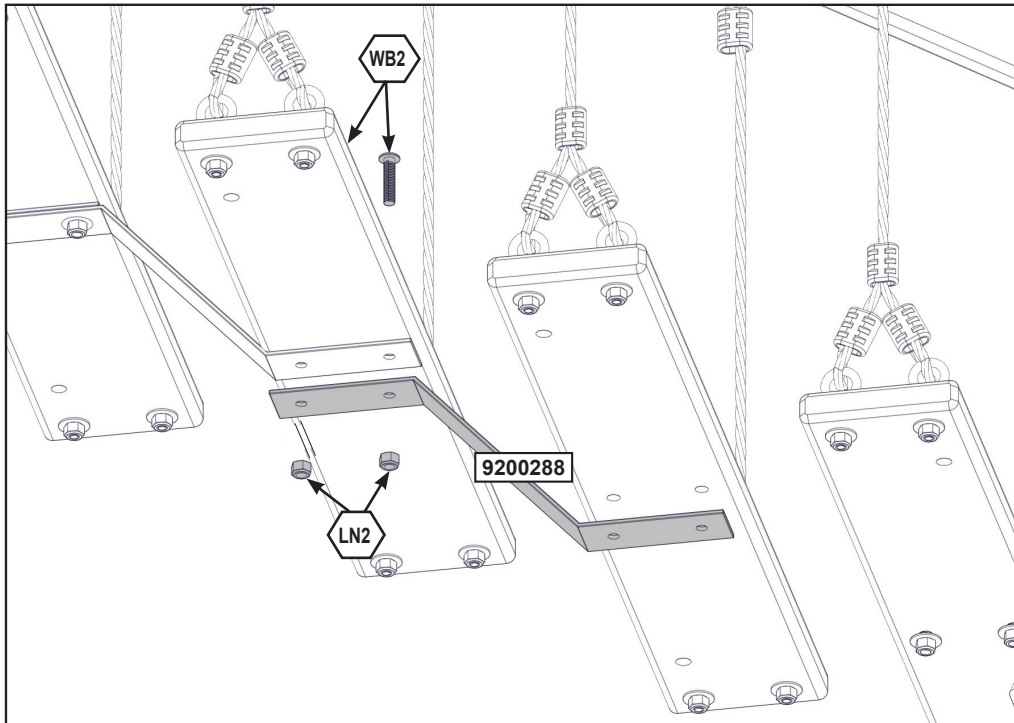
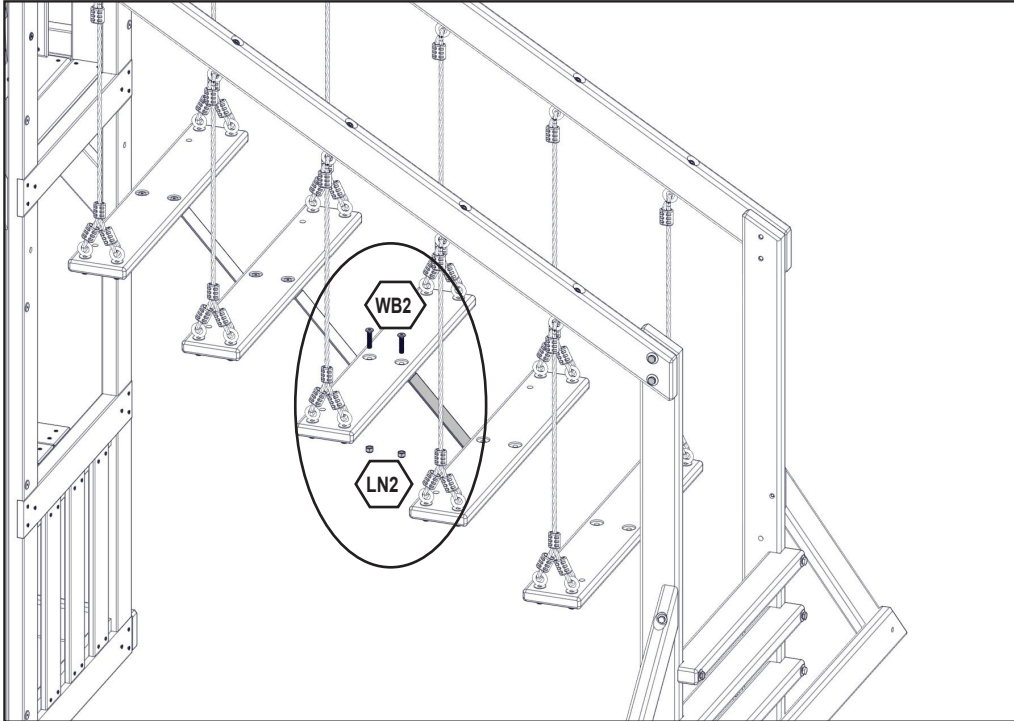
**Hardware**

2 x  7.9mm x 34.9 mm (5/16 x 1-3/8 in)(LN2)

**Other Parts**

1 x 






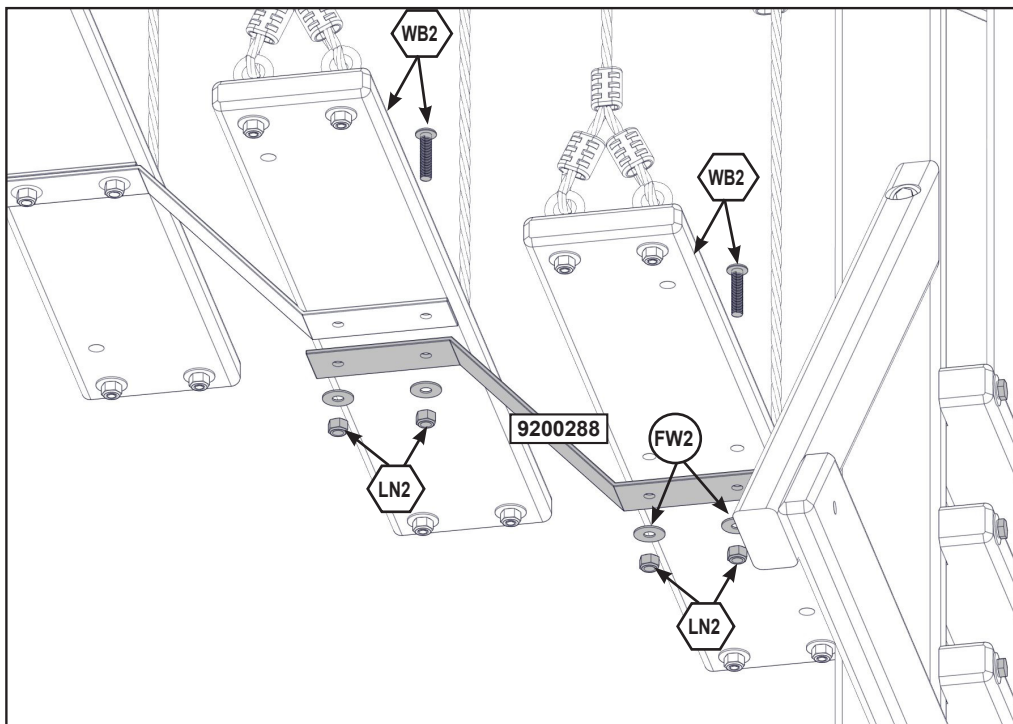
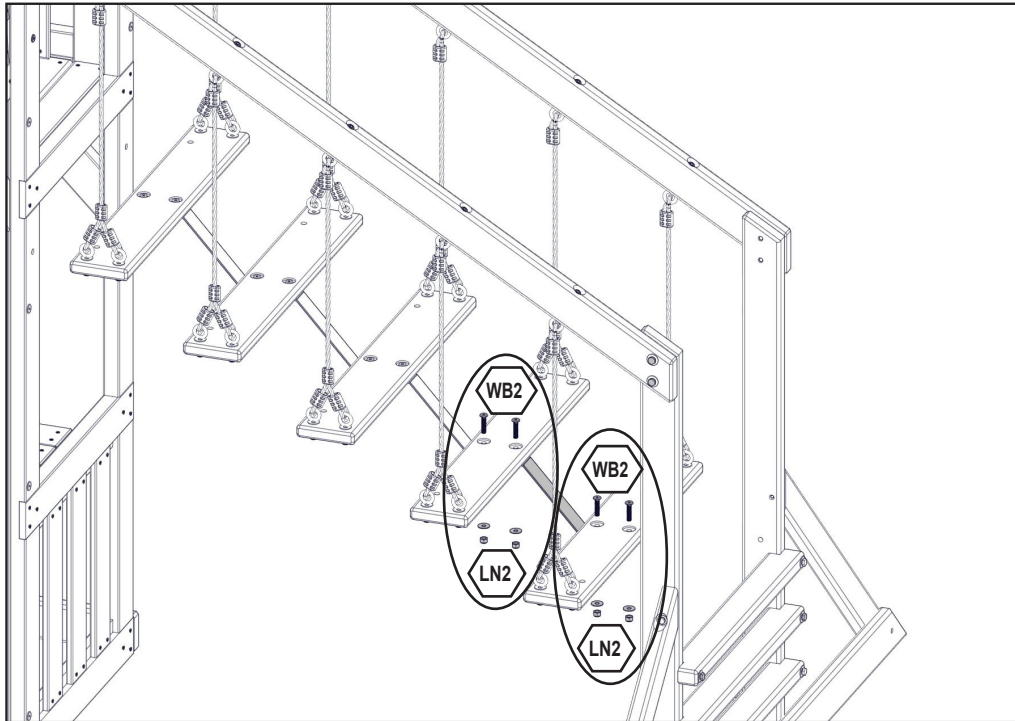
**Hardware**

2 x  7.9mm x 34.9 mm (5/16 x 1-3/8 in)(LN2)


**Other Parts**

1 x 

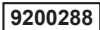


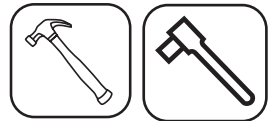


**Hardware**

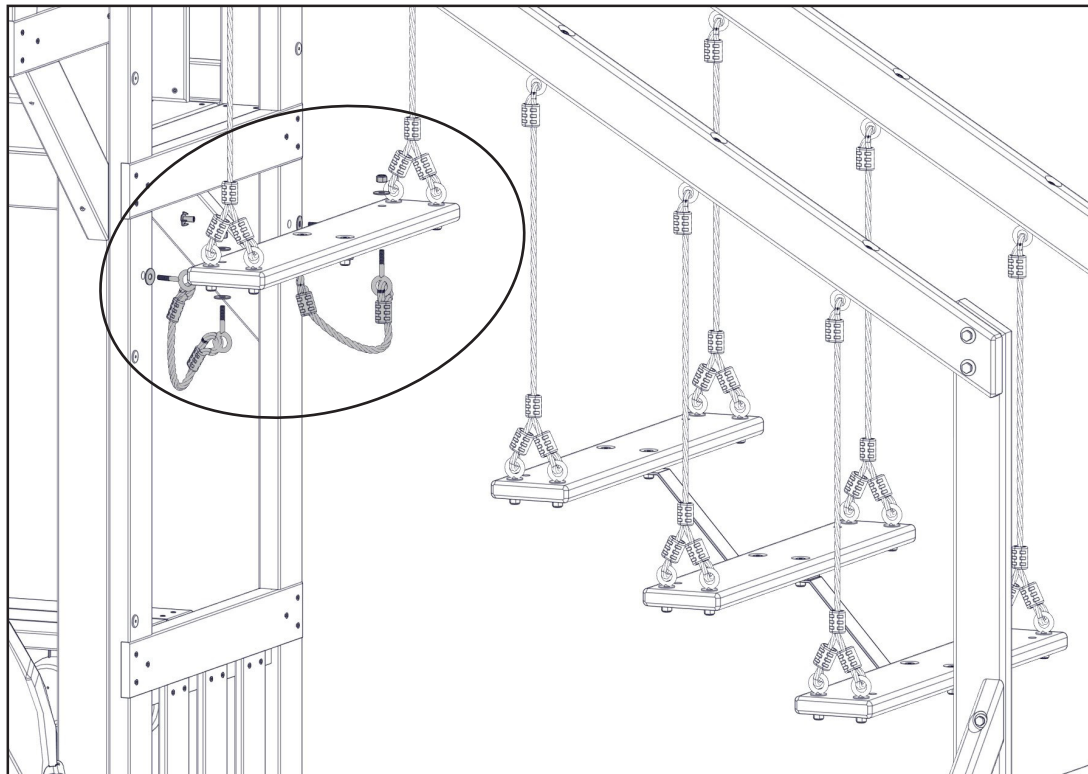
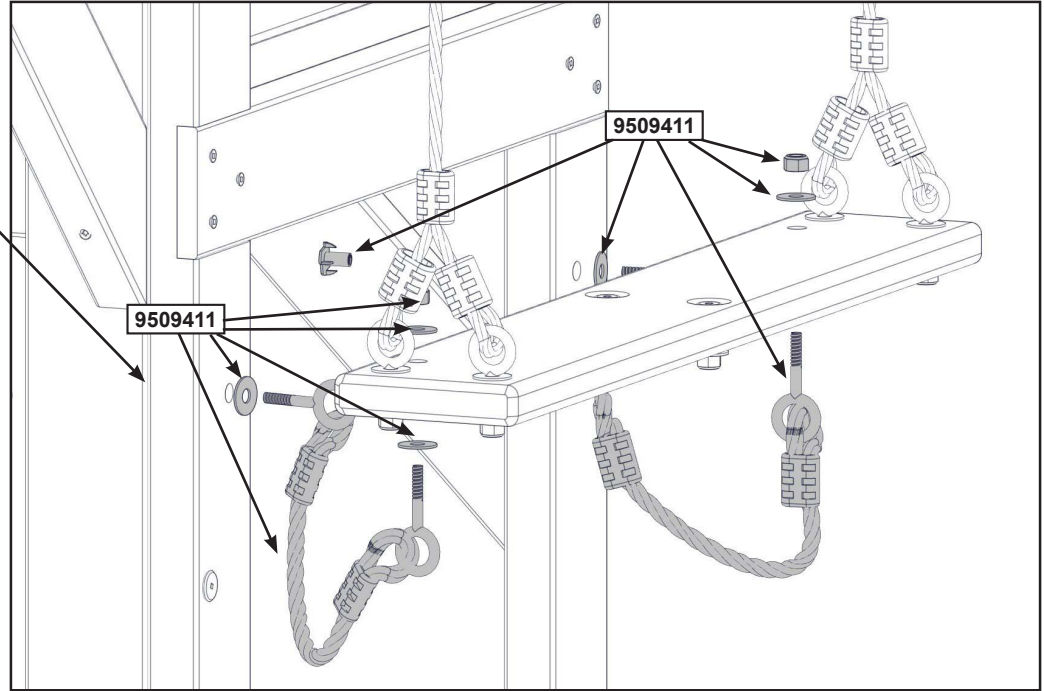
4 x  7.9mm x 34.9 mm (5/16 x 1-3/8 in)(FW2, LN2)

**Other Parts**

1 x 



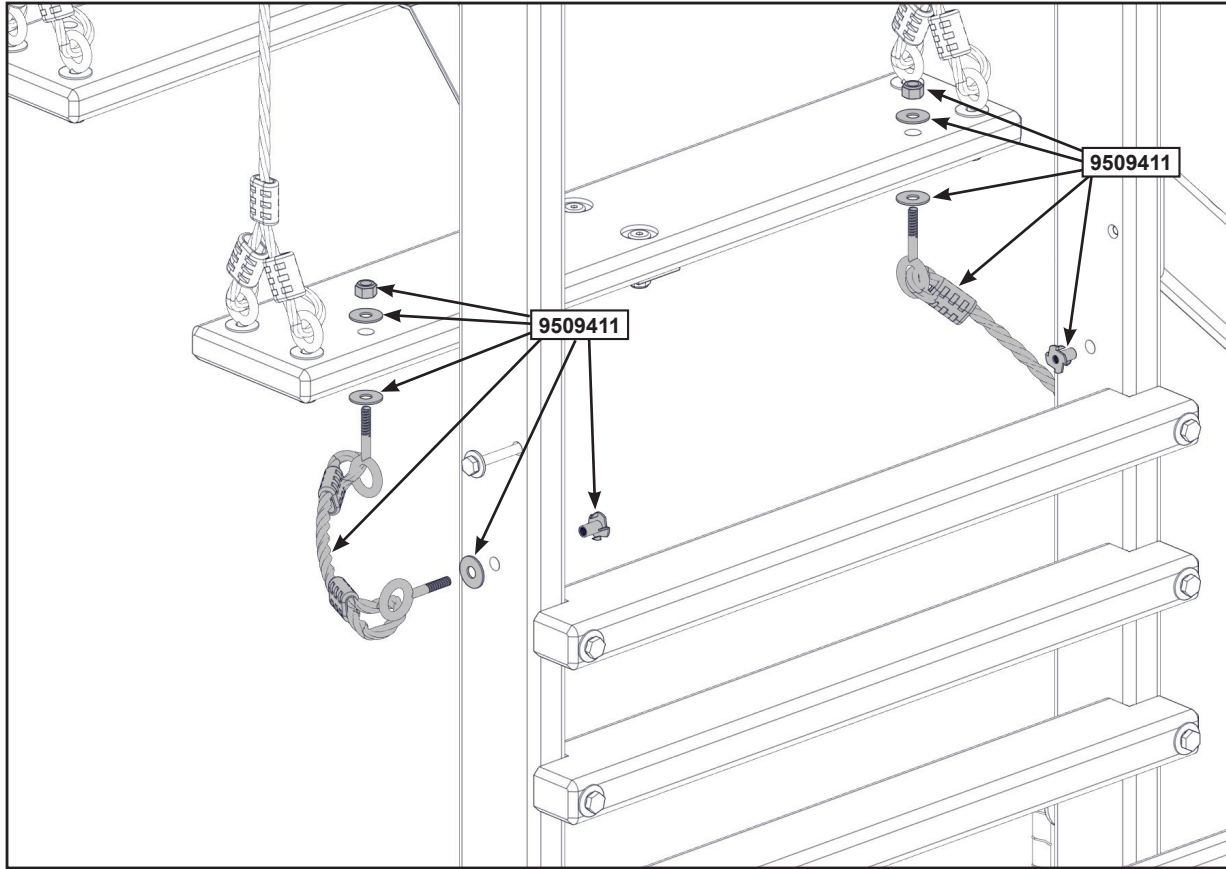
T-Nuts assembled  
in step 71



**Other Parts**

2 x **9509411**





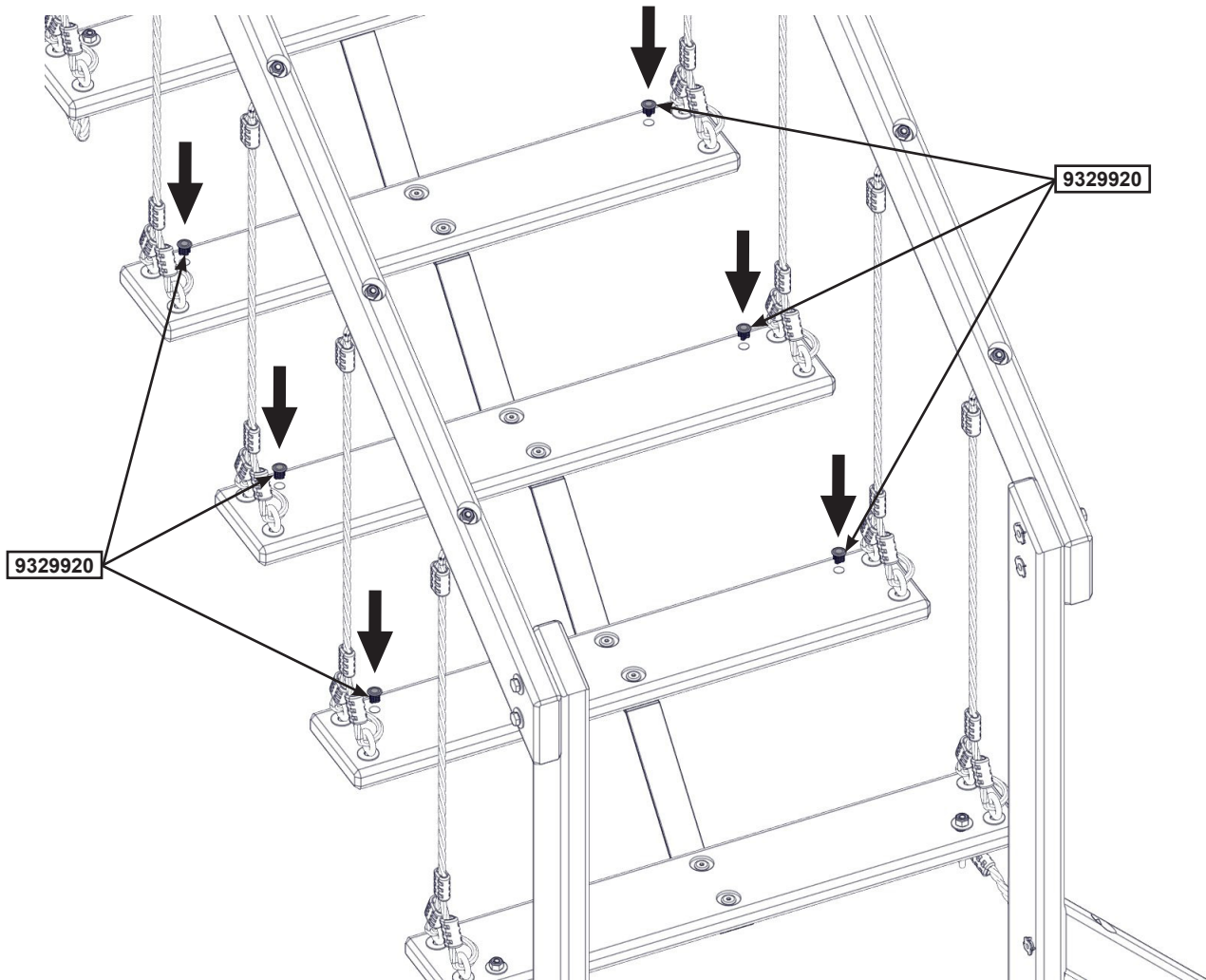
**Other Parts**

2 x **9509411**



Insert Hole Plugs into all unused holes.

Note: Structure partly removed for clarity.



**Other Parts**

6 x **9329920**

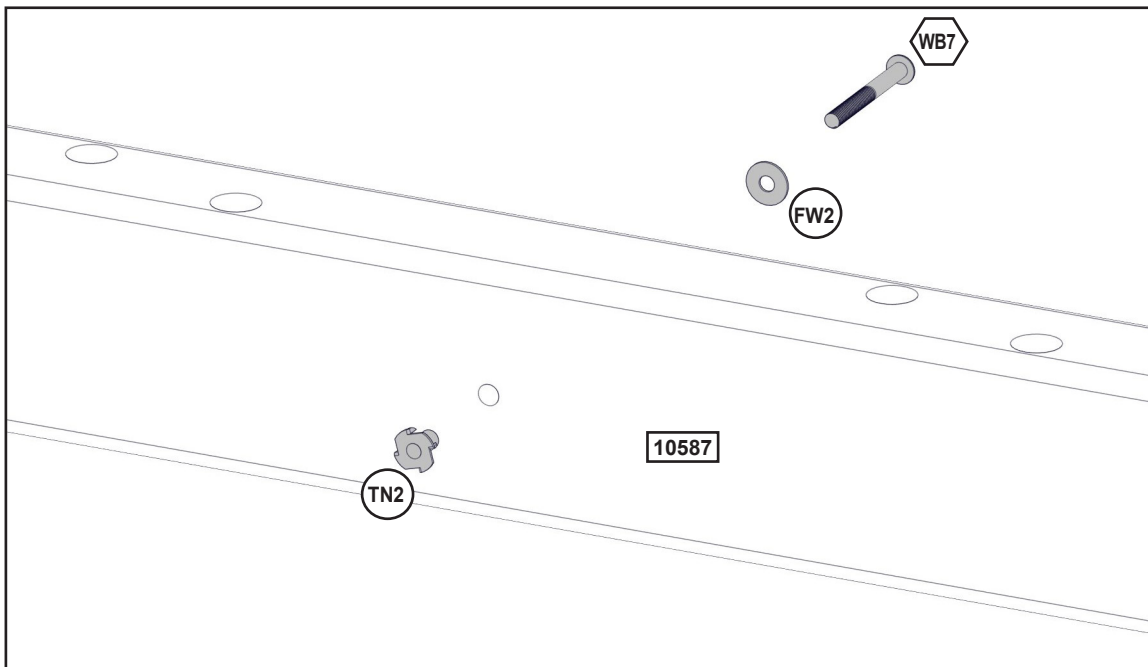
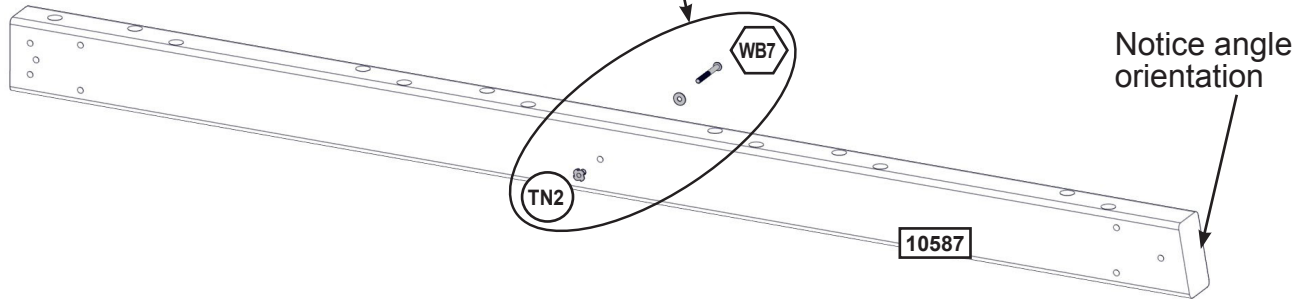


**156** Swing Beam Assembly



IT IS IMPORTANT THAT THIS BOLT IS ATTACHED. IT WILL MINIMIZE CHECKING OF WOOD.

**Assemble T-Nuts first with hammer!**



**Wood Parts**

1 x 10587 76.2 x 133.4 x 2235.2 mm (3 x 5 1/4 x 88 in)

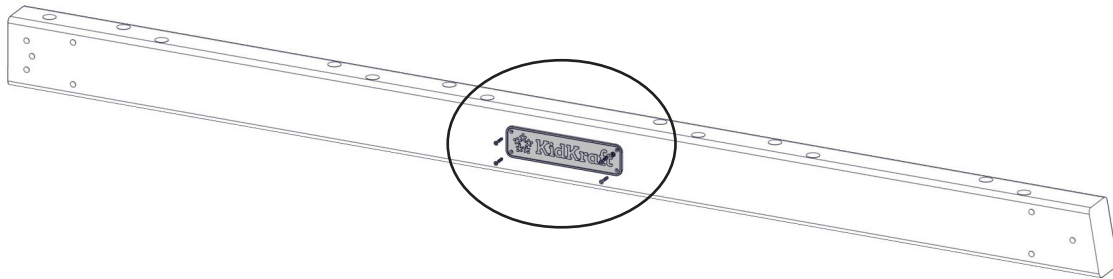
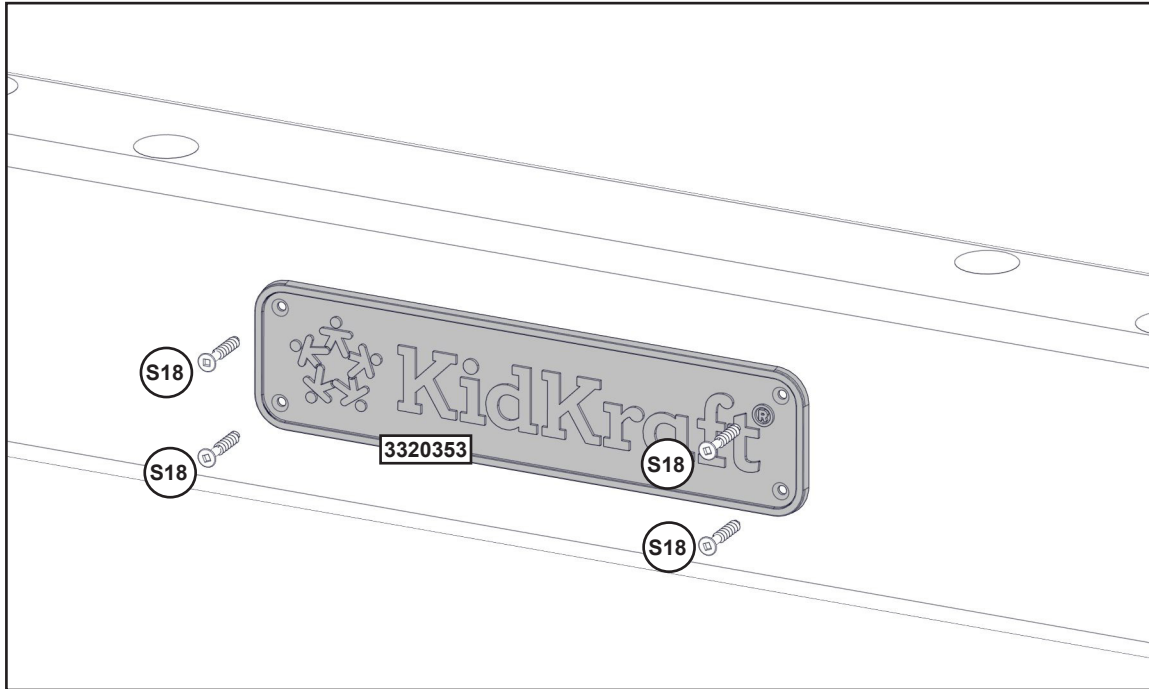
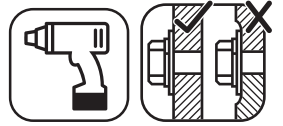
**Hardware**

1 x WB7 7.9mm x 76.2mm (5/16 x3 in)( FW2 , TN2 )



parts.kidkraft.com

customerservice@kidkraft.com  
1.800.933.0771  
972.385.0100



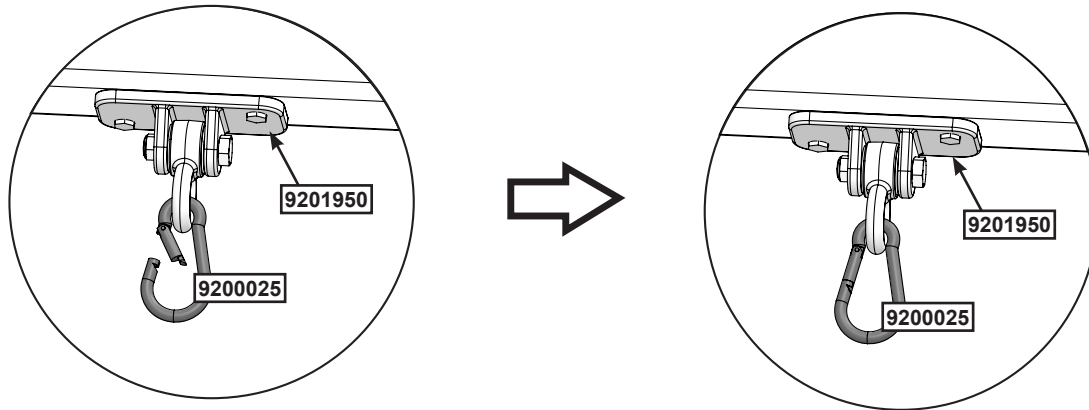
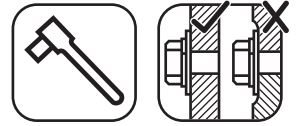
**Hardware**

4 x **S18** #6 x 25.4mm (#6 x 1 in)

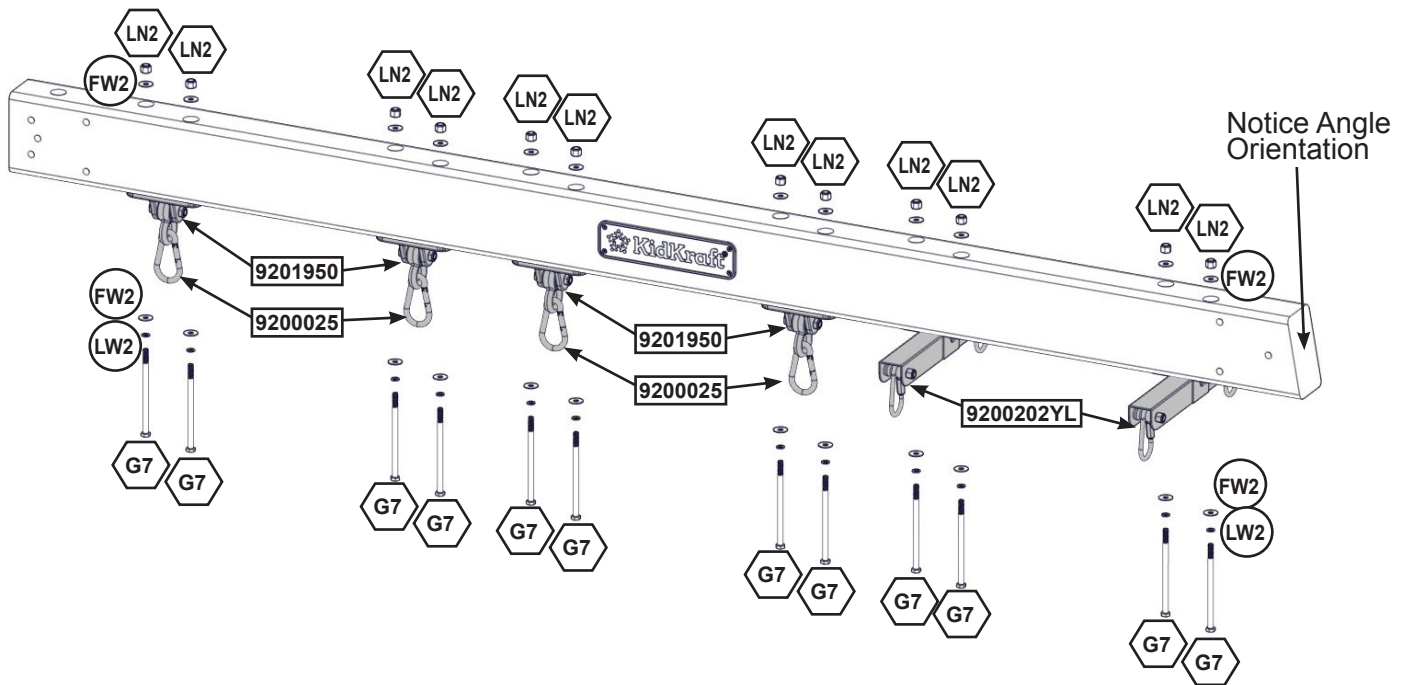
**Other Parts**

1 x **3320353**





**Caution:** The Spring Loaded Quick Link must be attached to the Heavy Duty Swing Hanger in the closed position.



**Hardware**

12 x 7.9mm x 139.7 mm (5/16 x 5-1/2 in) (LN2, FW2 x 2, LW2)

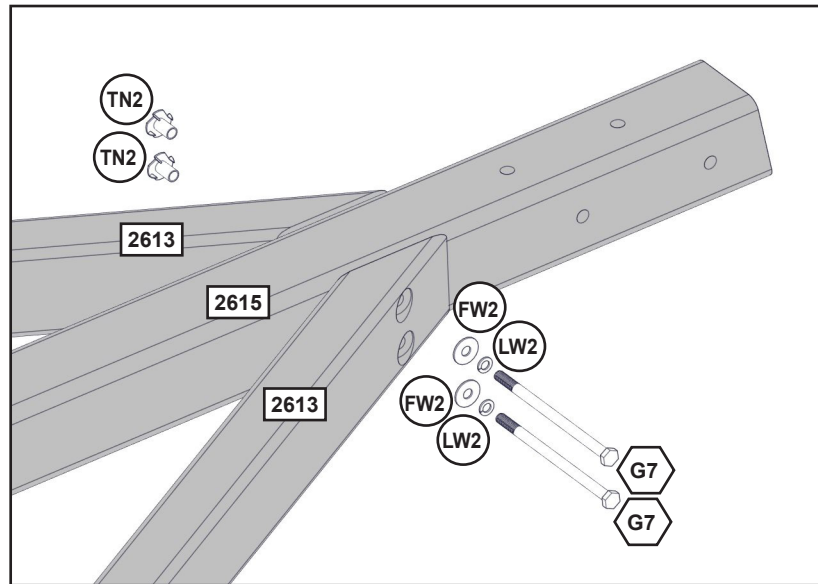
**Other Parts**

- 2 x 9200202YL
- 4 x 9201950
- 4 x 9200025

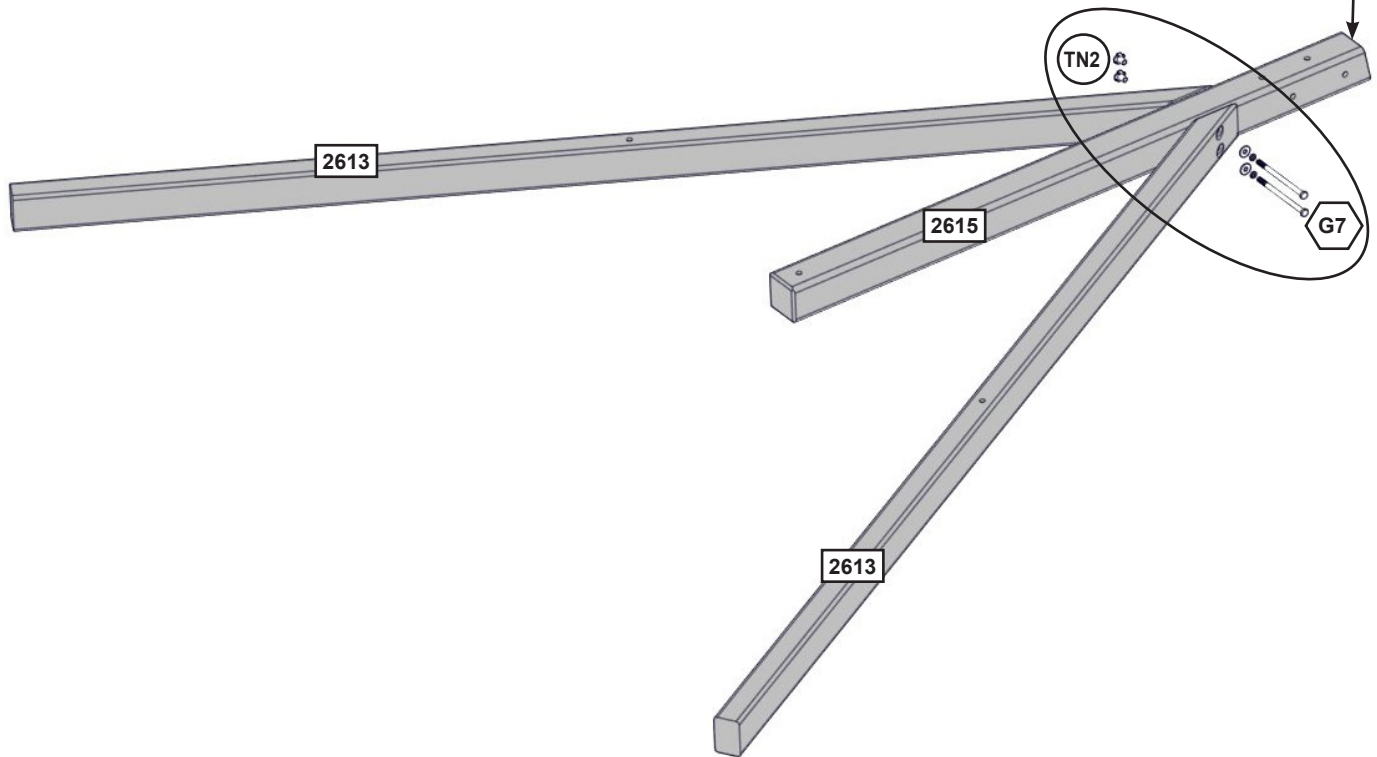




Assemble T-Nuts first with hammer!



Note angle orientation



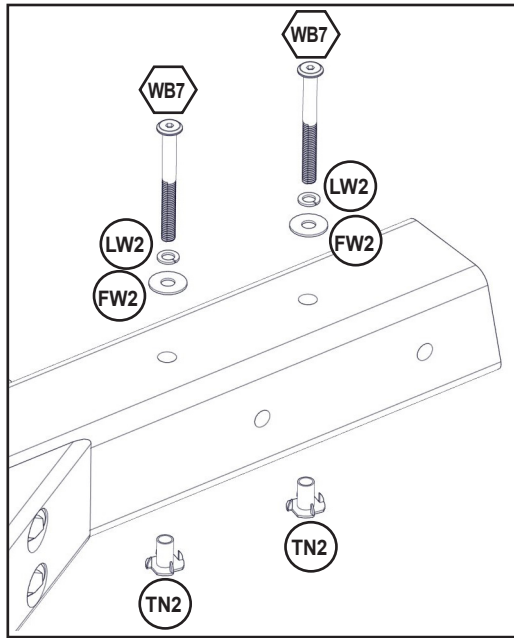
**Wood Parts**

- 2 x **2613** 50.8 x 76.2 x 2201.9 mm (2 x 3 x 86 11/16 in)
- 1 x **2615** 76.2 x 76.2 x 1294.3 mm (3 x 3 x 50 15/16 in)

**Hardware**

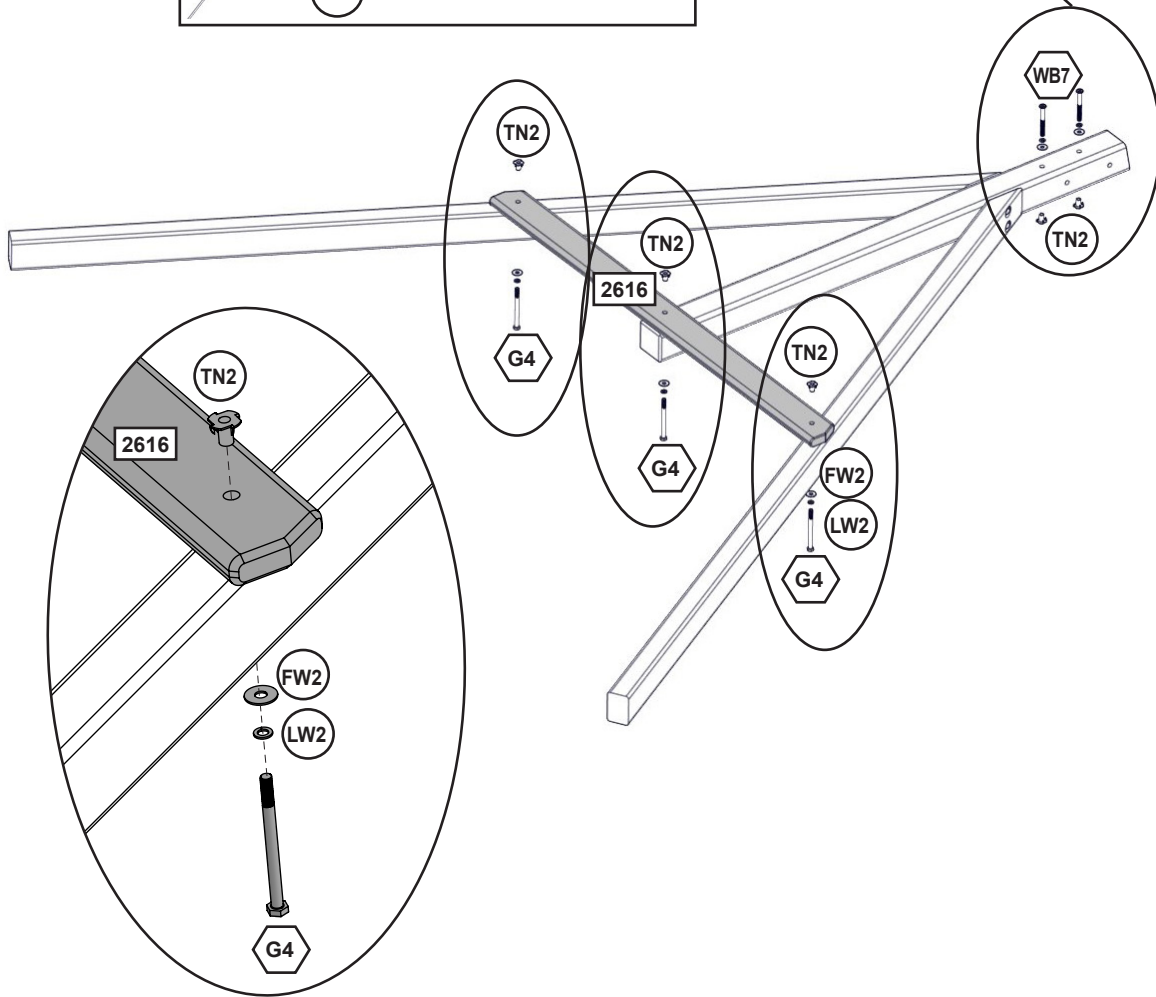
- 2 x **G7** 7.9 x 139.7 mm (5/16 x 5-1/2 in) (LW2, FW2, TN2)





**Assemble T-Nuts first with hammer!**

**IT IS IMPORTANT THAT THIS BOLT IS ATTACHED. IT WILL MINIMIZE CHECKING OF WOOD.**



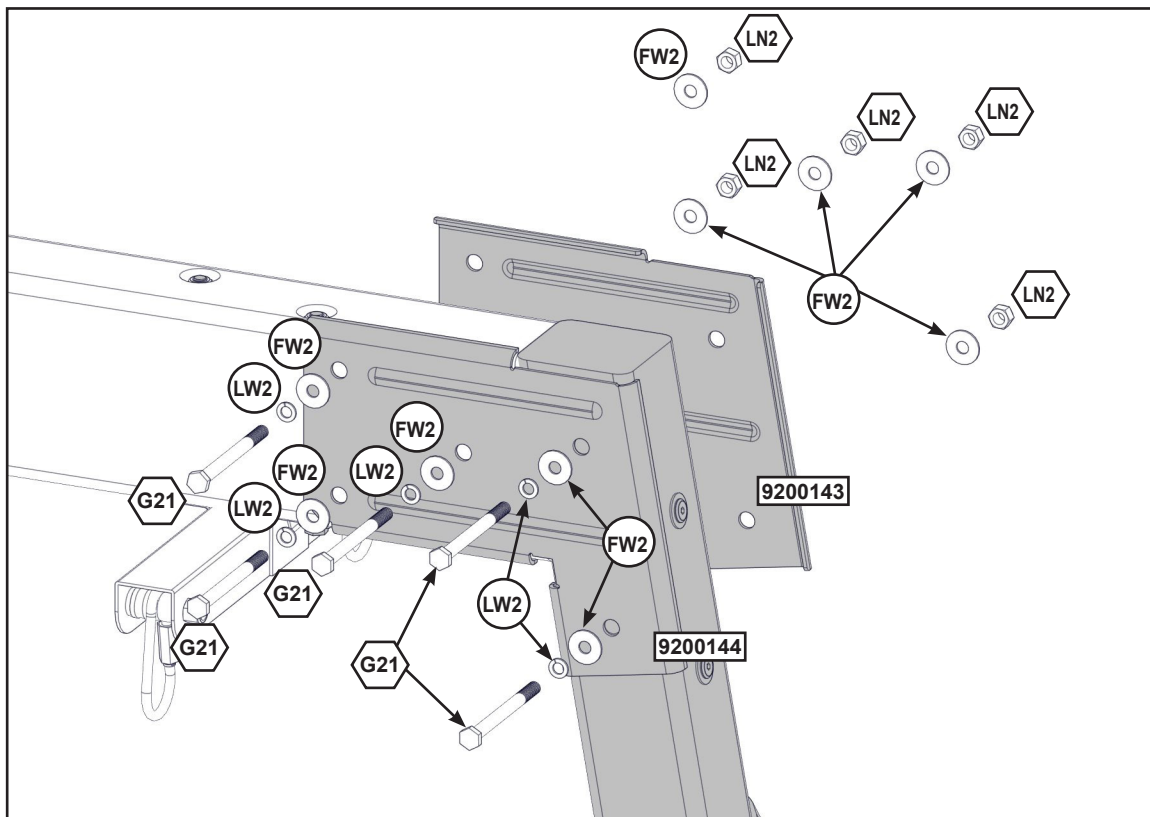
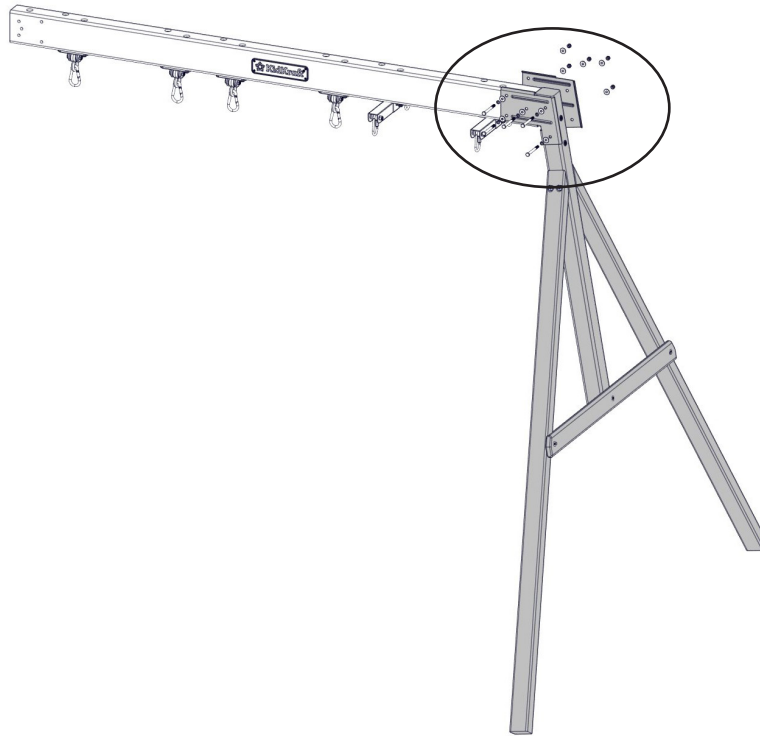
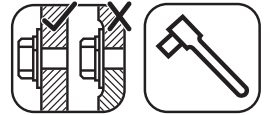
**Wood Parts**

1 x **2616** 23.8 x 82.6 x 1181.1 mm (15/16 x 3 1/4 x 46 1/2 in)


**Hardware**

3 x **G4** 7.9mm x 101.6mm (5/16 x 4 in) (LW2, FW2, TN2)


2 x **WB7** 7.9mm x 76.2mm (5/16 x 3 in) (LW2, FW2, TN2)

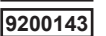


**Hardware**

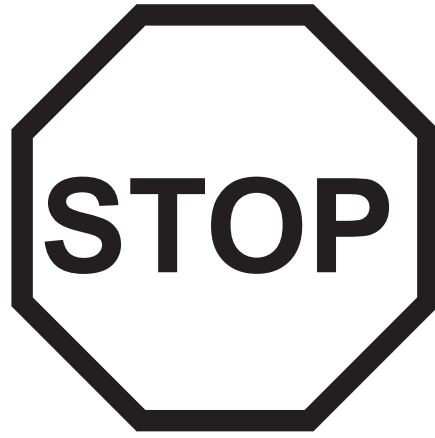
5 x  7.9mm x 95.2 mm (5/16 x 3-3/4 in) ( FW2 x 2, LW2, LN2)

**Other Parts**

1 x 

1 x 



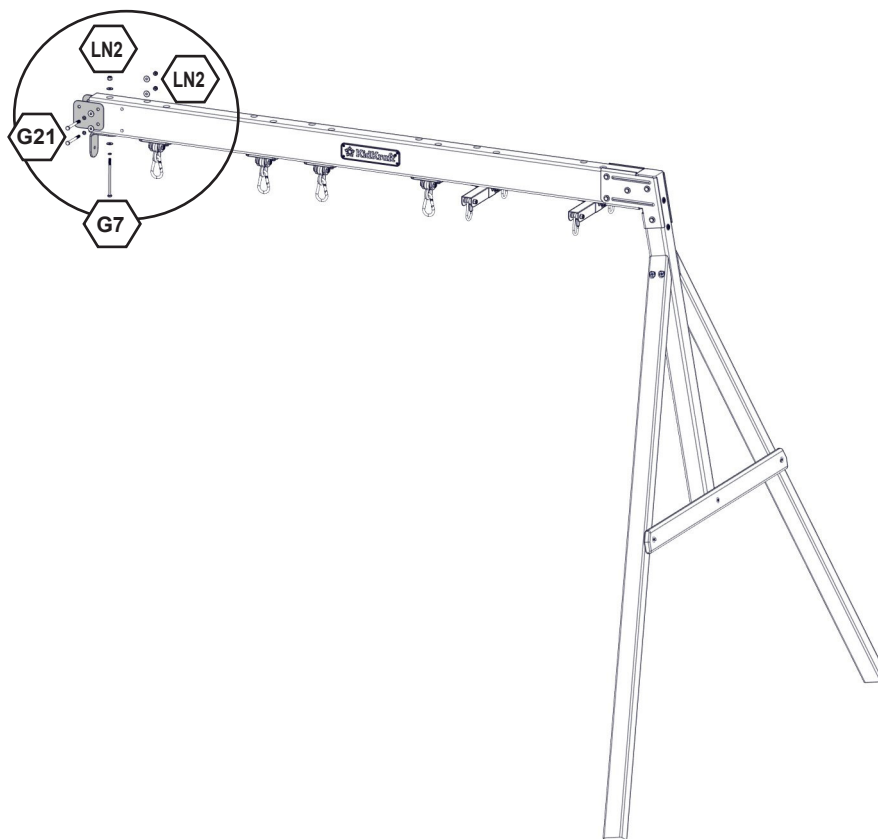
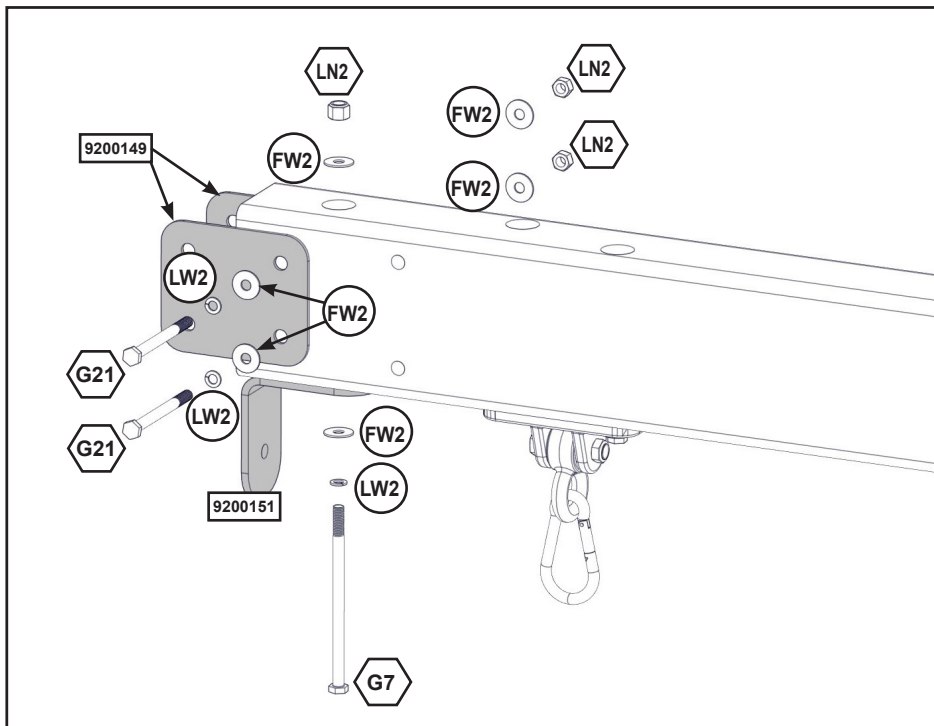


**Option 1**  
**Attached Swing Beam**  
**Configuration**

**Pages 189 - 194**

**Option 2**  
**Separate Swing Beam**  
**Configuration**

**Pages 196 - 200**



**Hardware**

- 2 x 7.9mm x 95 mm (5/16 x 3-3/4 in) ( LN2, 2 x FW2, LW2)
- 1 x 7.9mm x 139.7 mm (5/16 x 5-1/2 in) ( LN2, 2 x FW2, LW2)

**Other Parts**

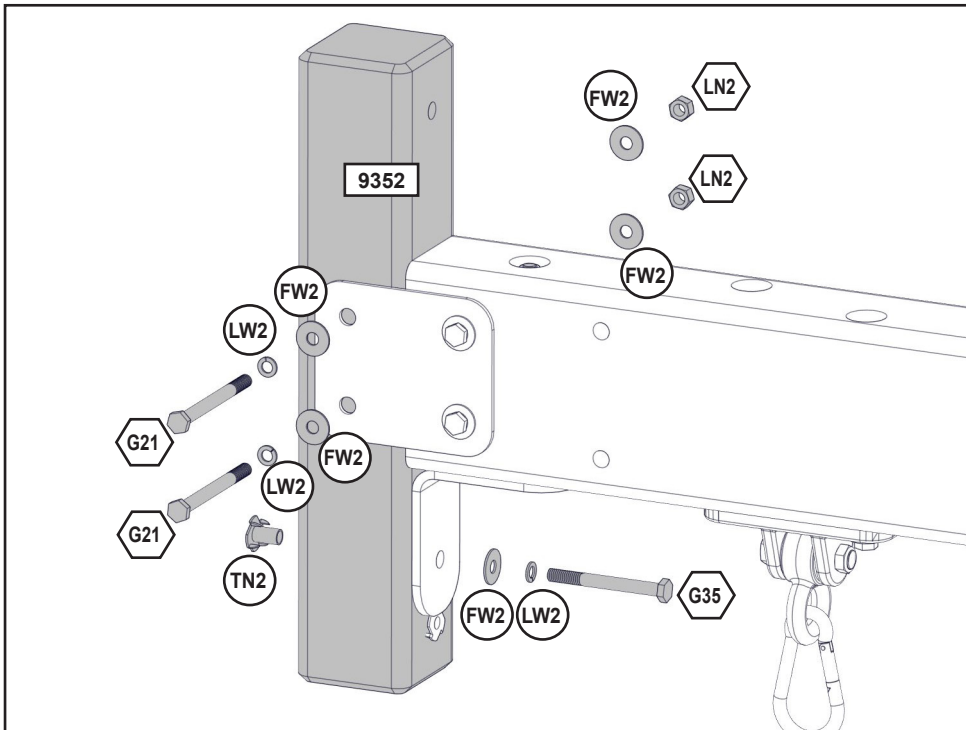
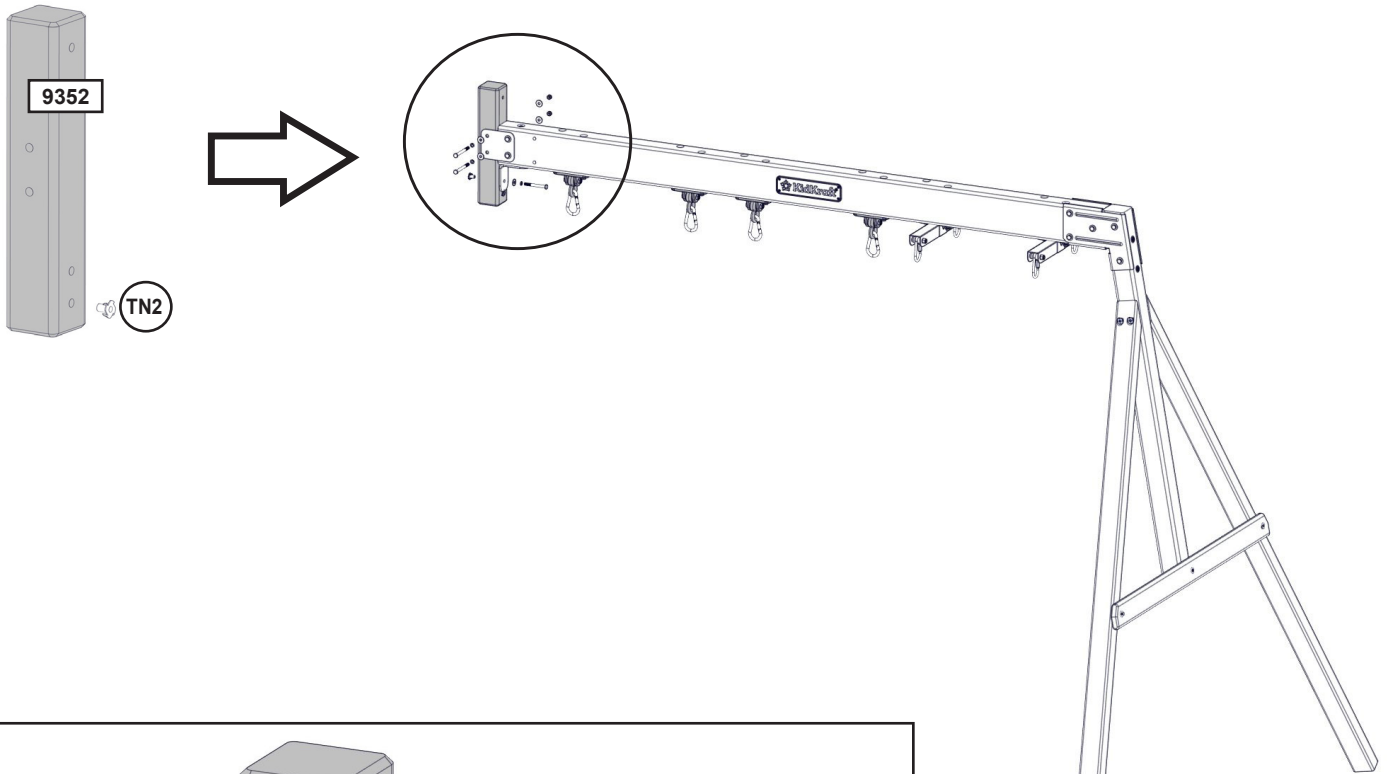
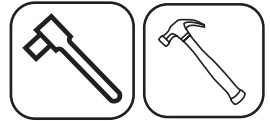
- 2 x 9200149
- 1 x 9200151

europcustomerservice@kidkraft.com  
 +31 20 305 8620  
 M-F from 09:00 to 17:30 (GMT+1)

parts.kidkraft.eu



Assemble T-Nuts first with hammer!



**Wood Parts**

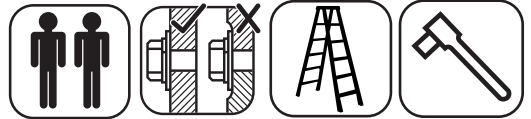
1 x 9352 76.2 x 76.2 x 406.4 mm (4 x 4 x 16 in)

**Hardware**

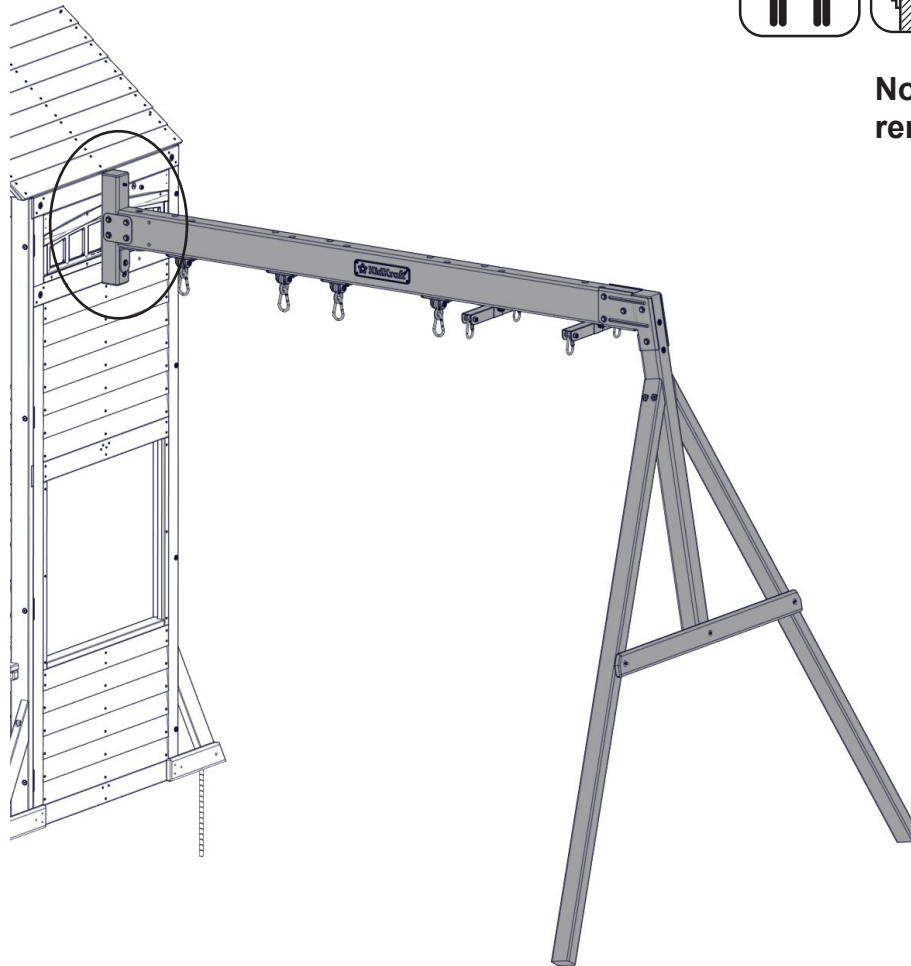
1 x G35 7.9mm x 82.6 mm (5/16 x 3-1/4 in) ( FW2 , LW2, TN2)

2 x TN2

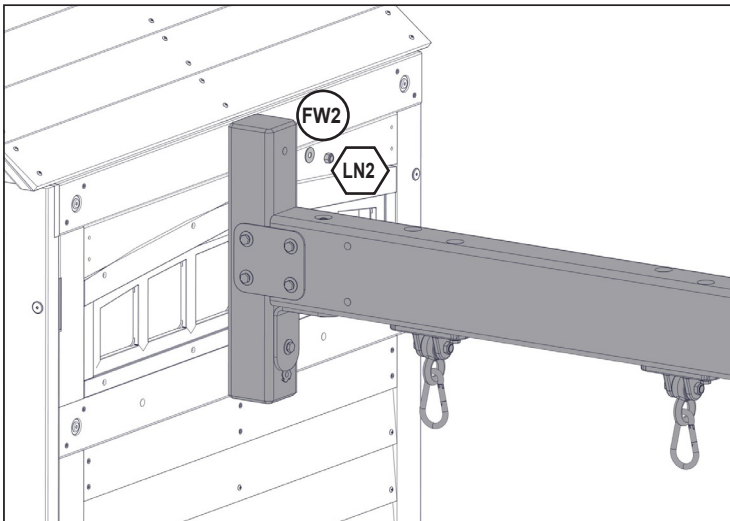
2 x G21 7.9mm x 95 mm (5/16 x 3-3/4 in) ( 2 x FW2, LW2, LN2)



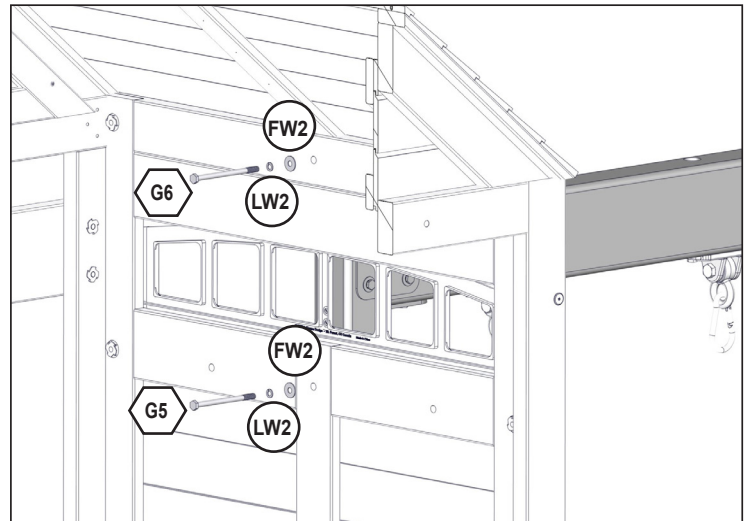
Note: Structure partly removed for clarity.



Outside View



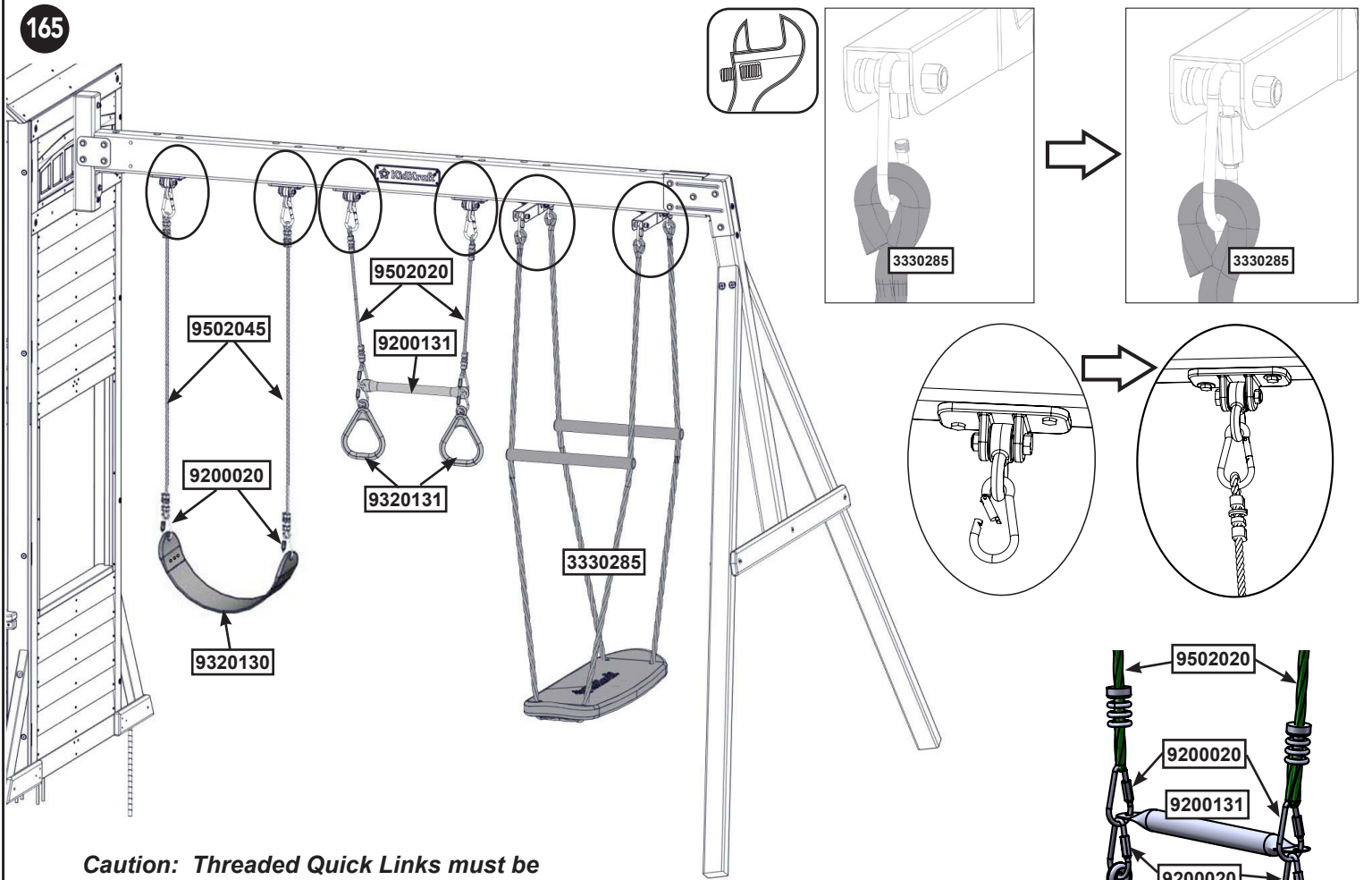
Inside View



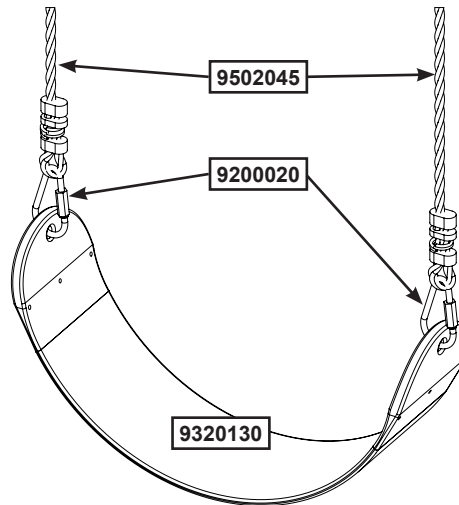
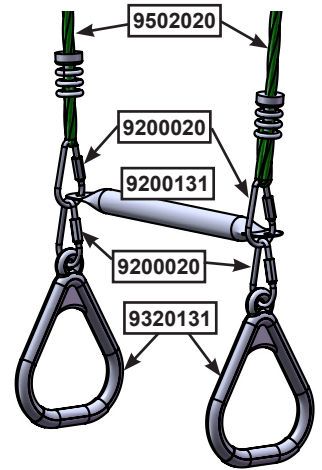
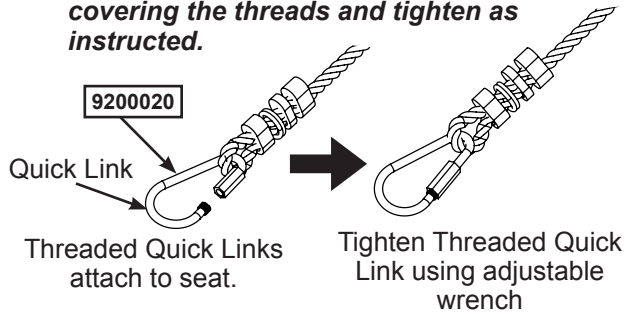
**Hardware**

- 1 x 7.9mm x 120.6 mm (5/16 x 4-3/4 in) ( LW2, FW2 x 2, LN2)
- 1 x 7.9mm x 114.3mm (5/16 x 4-1/2 in)(LW2,FW2)





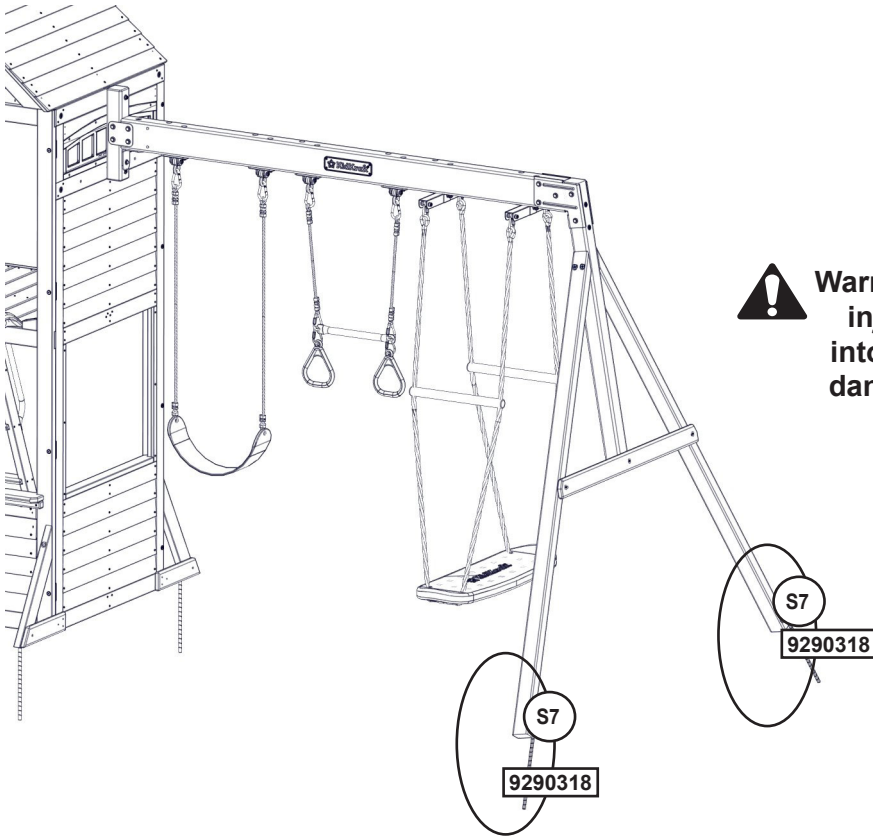
**Caution:** Threaded Quick Links must be installed with the gate completely down covering the threads and tighten as instructed.



**Other Parts**

- 2 x 9502045
- 2 x 9502020
- 1 x 9200131
- 2 x 9320131
- 1 x 9320130
- 6 x 9200020
- 1 x 3330285





**Warning!** To prevent tipping and avoid potential injury, stakes must be driven 13 in(330mm) into ground. Digging or driving stakes can be dangerous if you do not check first for underground wiring, cables or gas lines.



**Hardware**

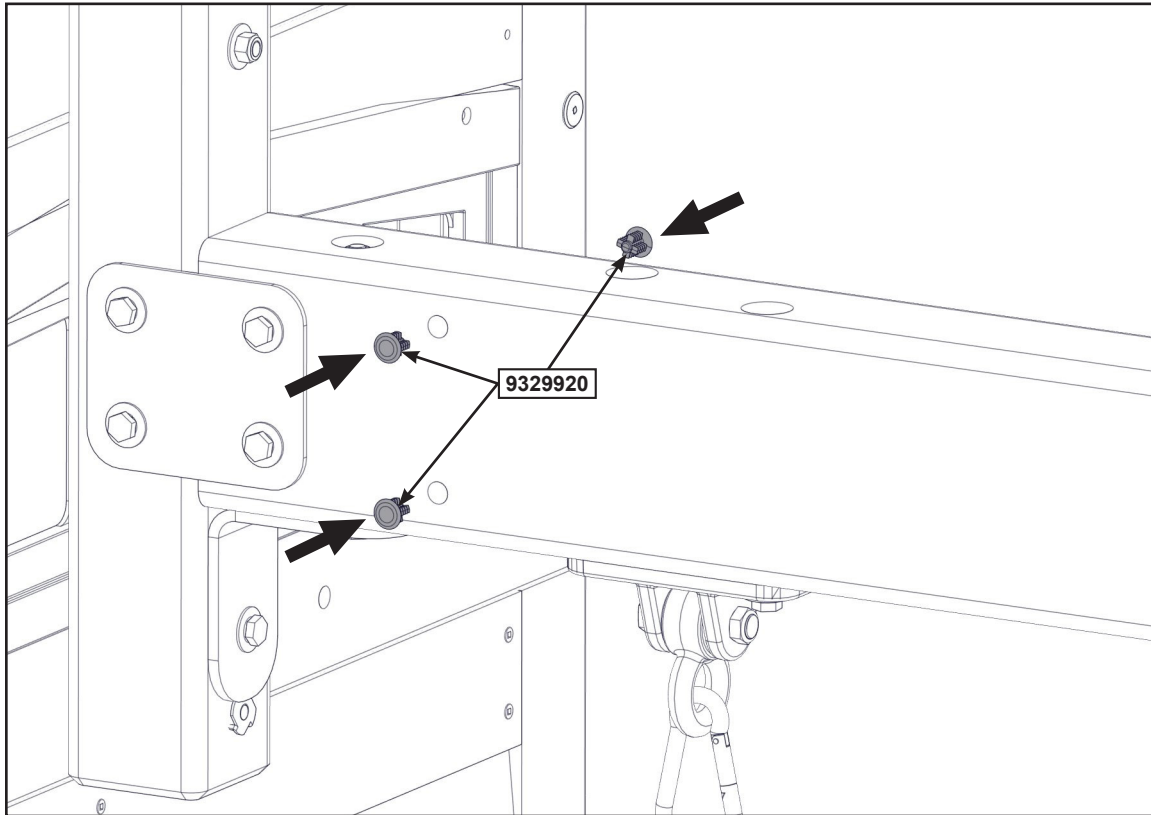
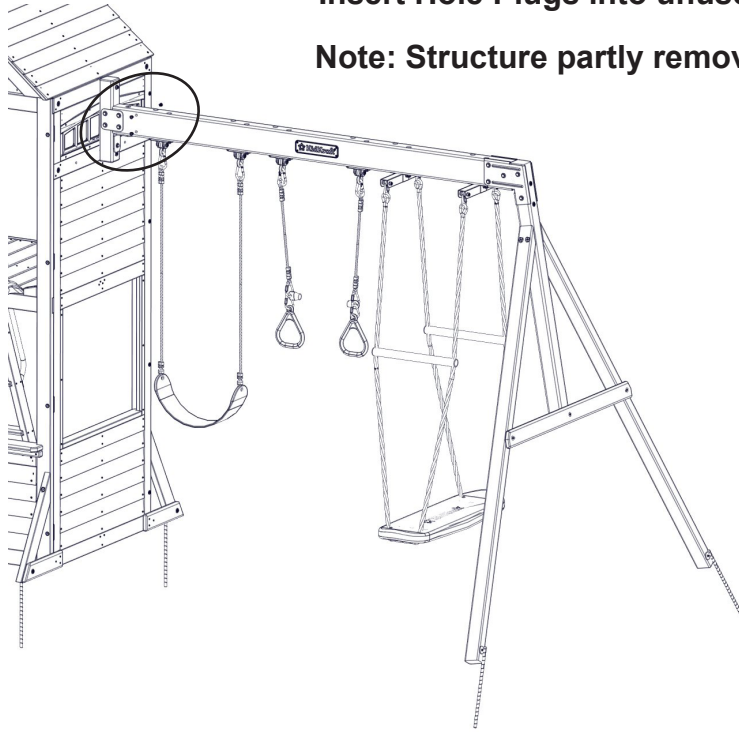
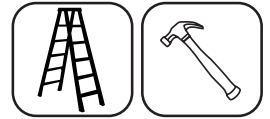
2 x (S7) #12 x 50.8mm (#12 x 2 in)

**Other Parts**

2 x 9290318

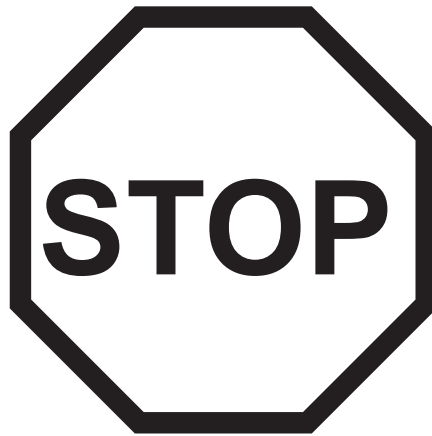


Insert Hole Plugs into unused holes.  
Note: Structure partly removed for clarity.



**Other Parts**

4 x **9329920**

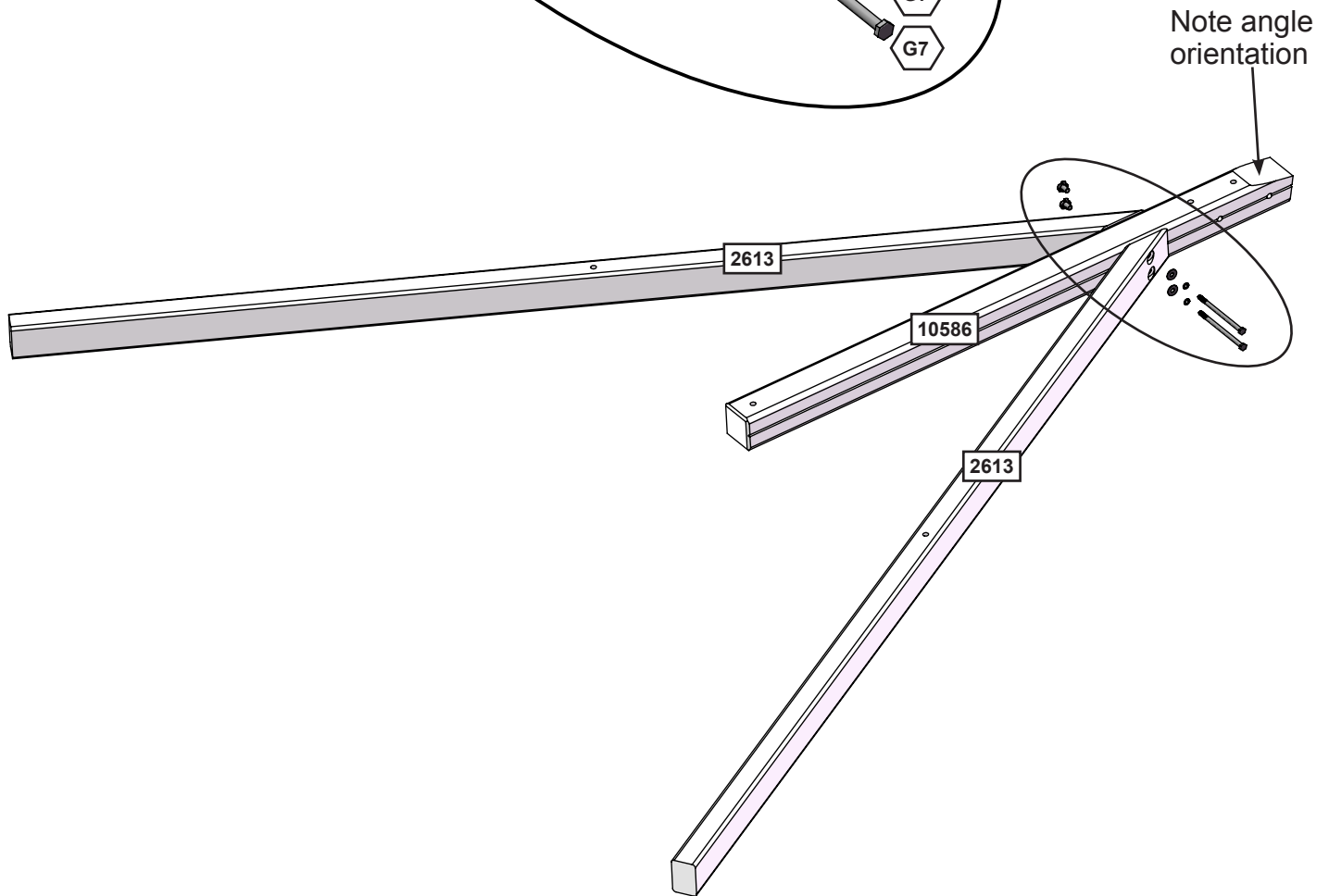
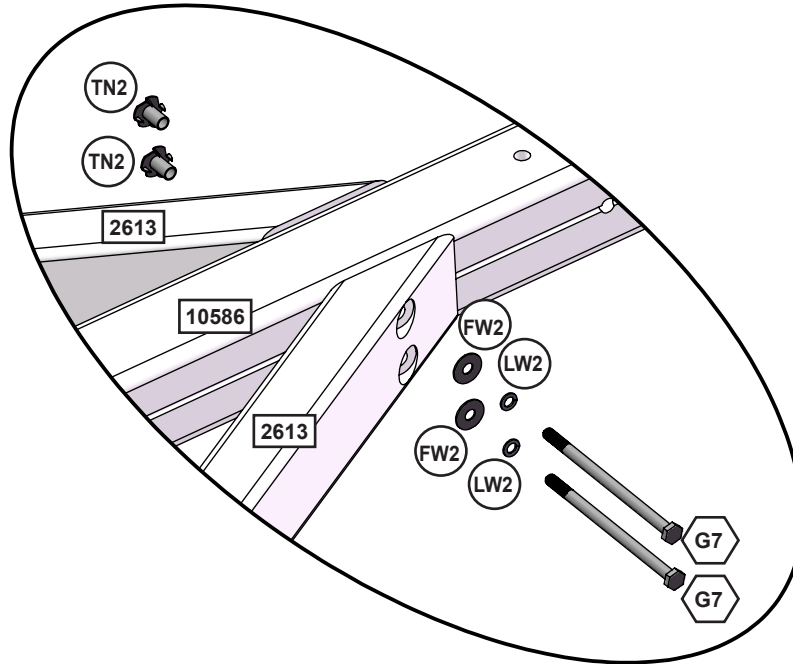


**Option 2**  
**Separate Swing Beam**  
**Configuration**

**Pages 196 - 200**



Assemble T-Nuts first with hammer!



**Wood Parts**

- 2 x **2613** 50.8 x 76.2 x 2201.9 mm (2 x 3 x 86 11/16 in)
- 1 x **10586** 76.2 x 76.2 x 1294.3 mm (3 x 3 x 50 15/16 in)

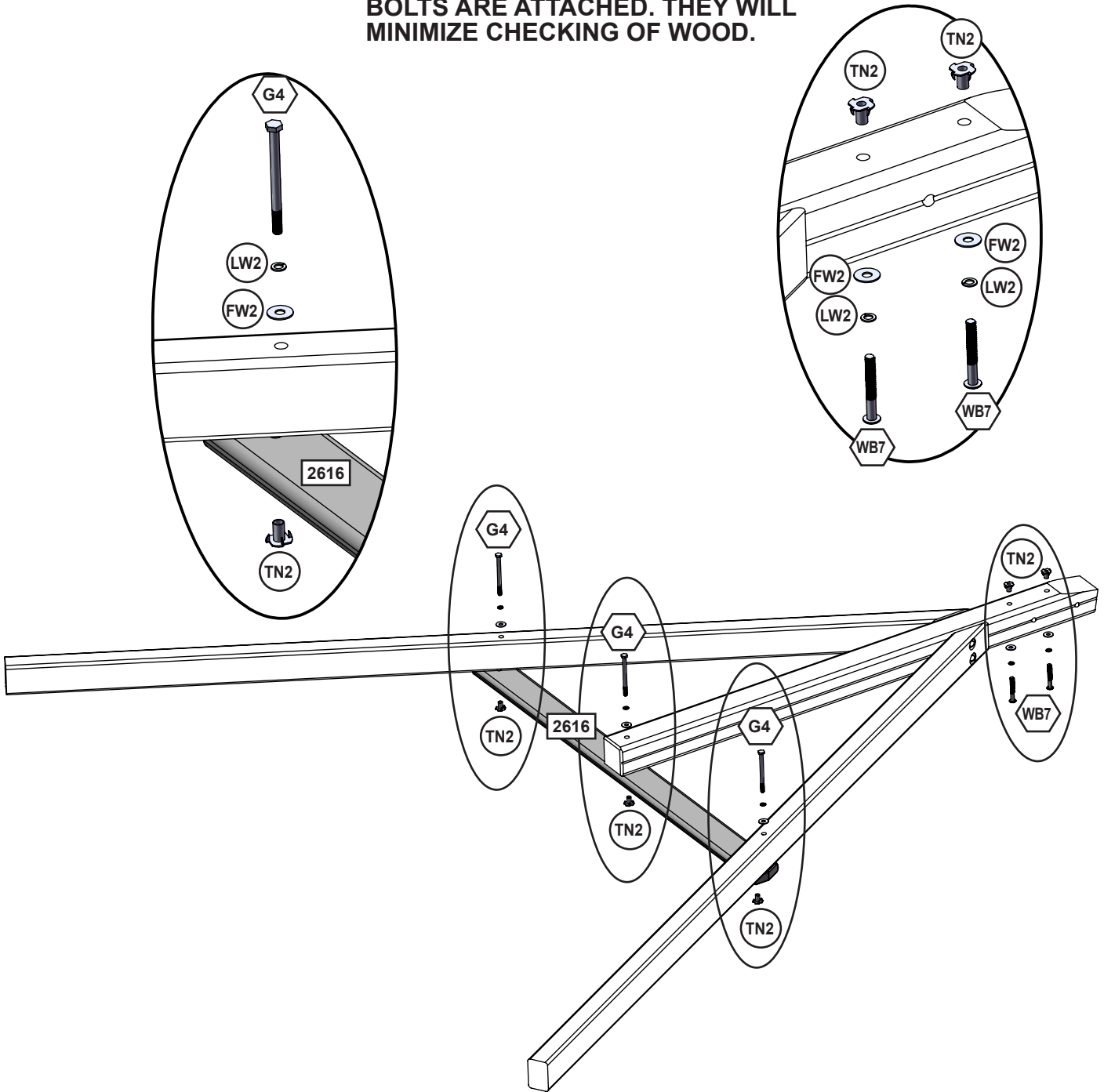
**Hardware**

- 2 x **G7** 7.9 x 139.7 mm (5/16 x 5-1/2 in) (LW2, FW2, TN2)

Assemble T-Nuts first with hammer!



IT IS IMPORTANT THAT THESE BOLTS ARE ATTACHED. THEY WILL MINIMIZE CHECKING OF WOOD.



**Wood Parts**

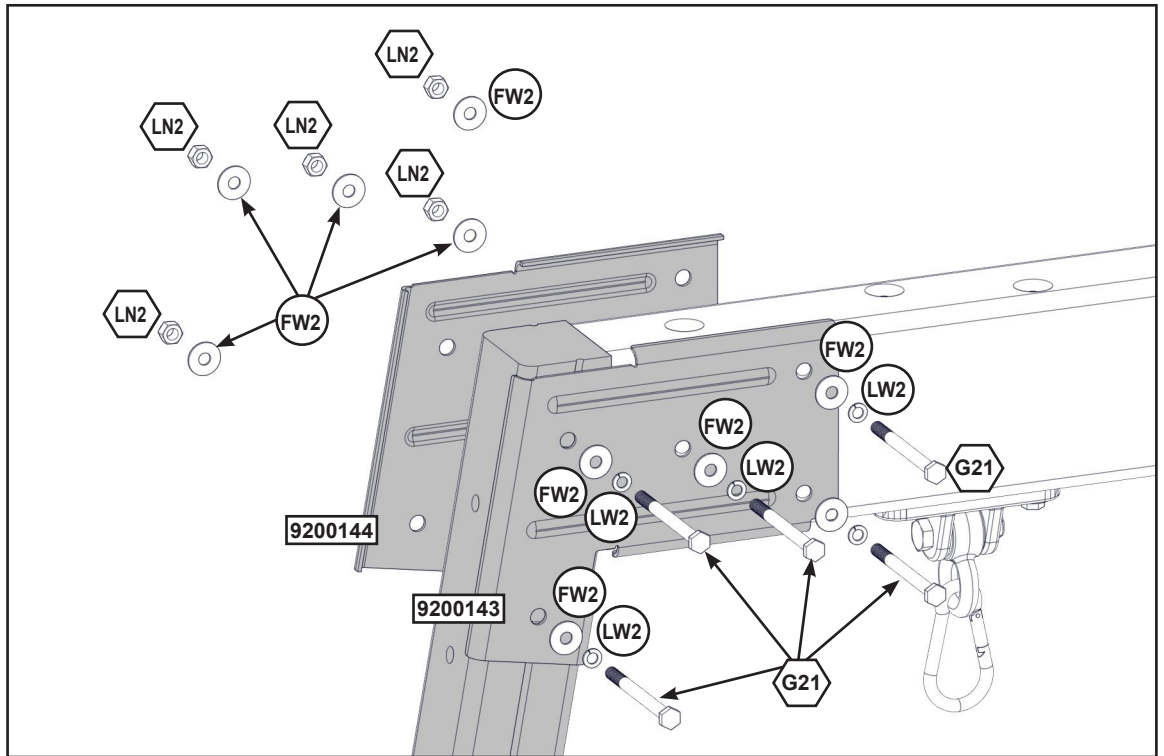
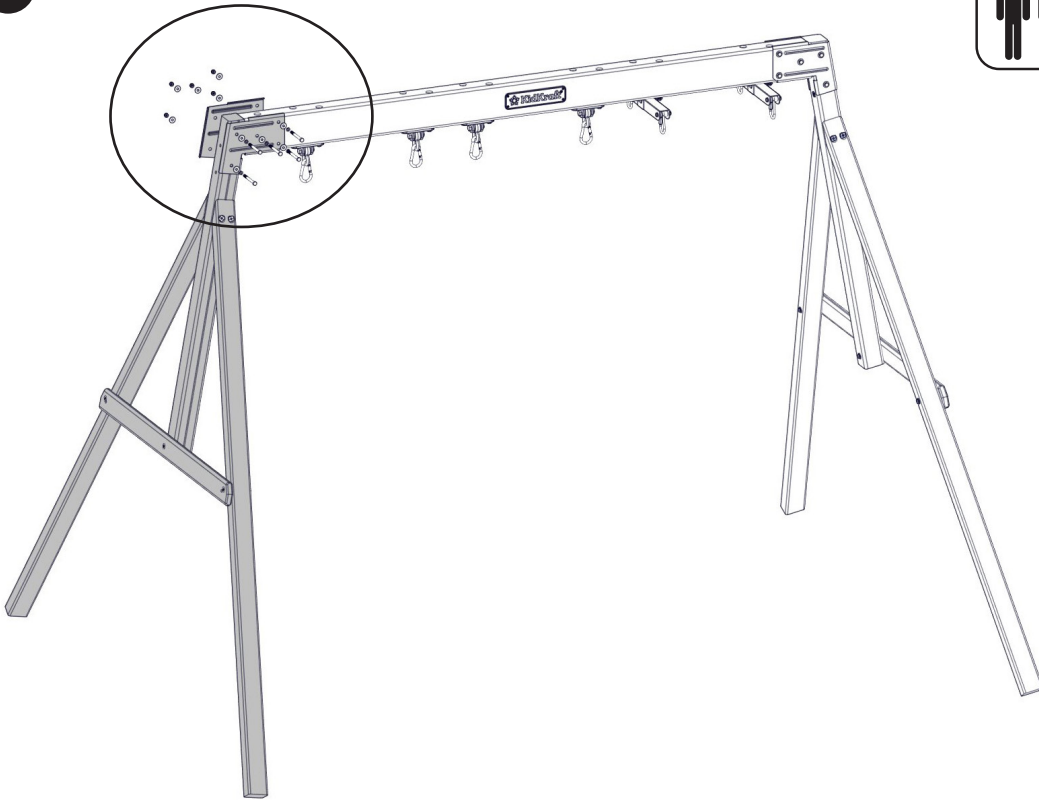
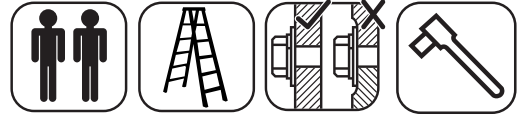
1 x **2616** 23.8 x 82.6 x 1181.1 mm (15/16 x 3 1/4 x 46 1/2 in)

**Hardware**

3 x **G4** 7.9mm x 101.6mm (5/16 x 4 in) (LW2, FW2, TN2)

2 x **WB7** 7.9mm x 76.2mm (5/16 x 3 in) (LW2, FW2, TN2)





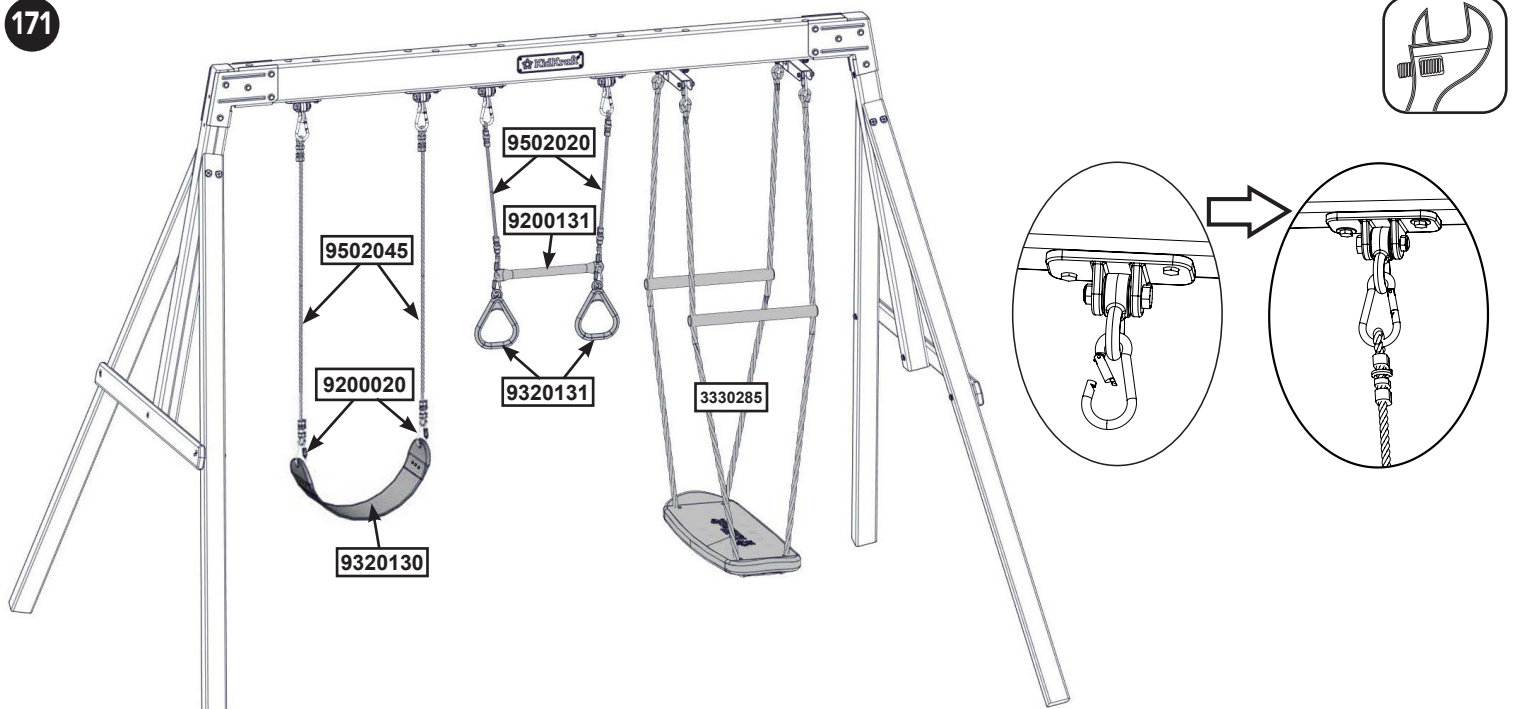
**Hardware**

5 x **G21** 7.9mm x 95.2 mm (5/16 x 3-3/4 in) ( FW2 x 2, LW2, LN2)

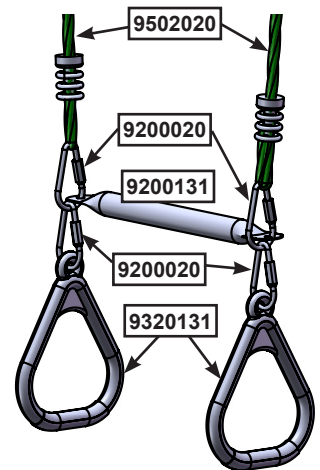
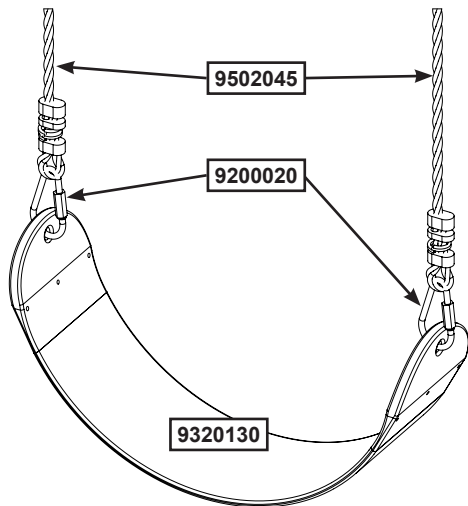
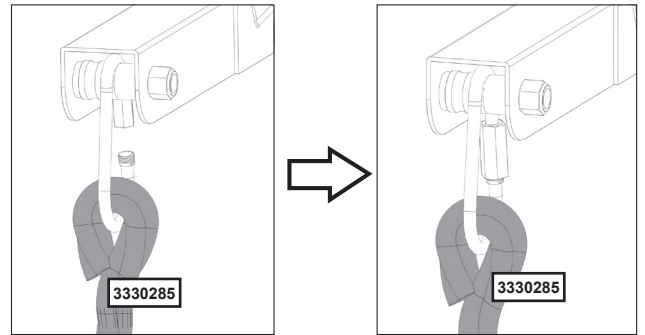
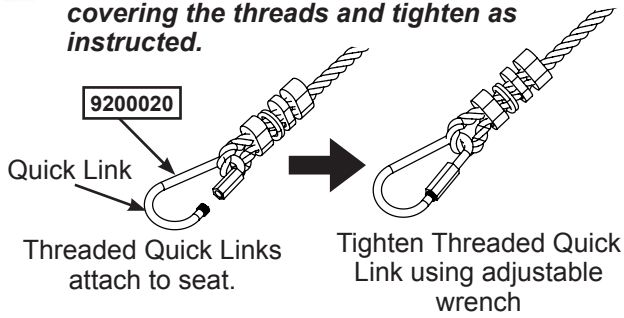
**Other Parts**

1 x **9200144**

1 x **9200143**



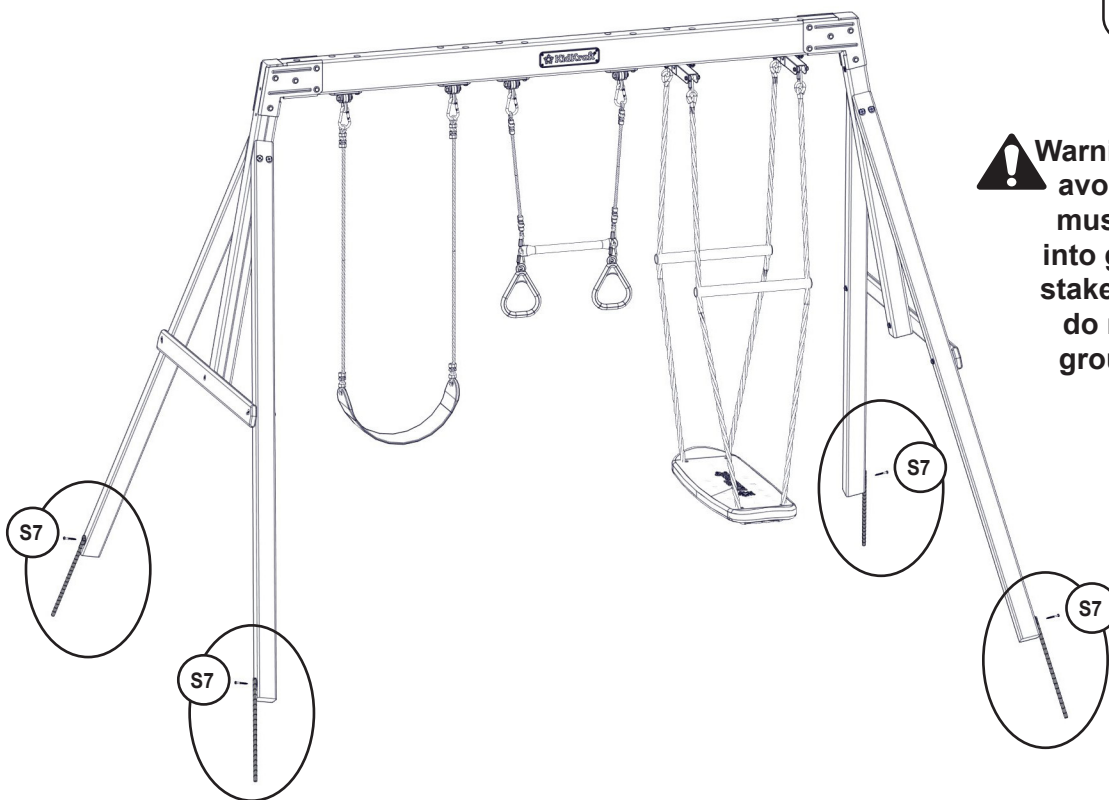
**Caution:** Threaded Quick Links must be installed with the gate completely down covering the threads and tighten as instructed.



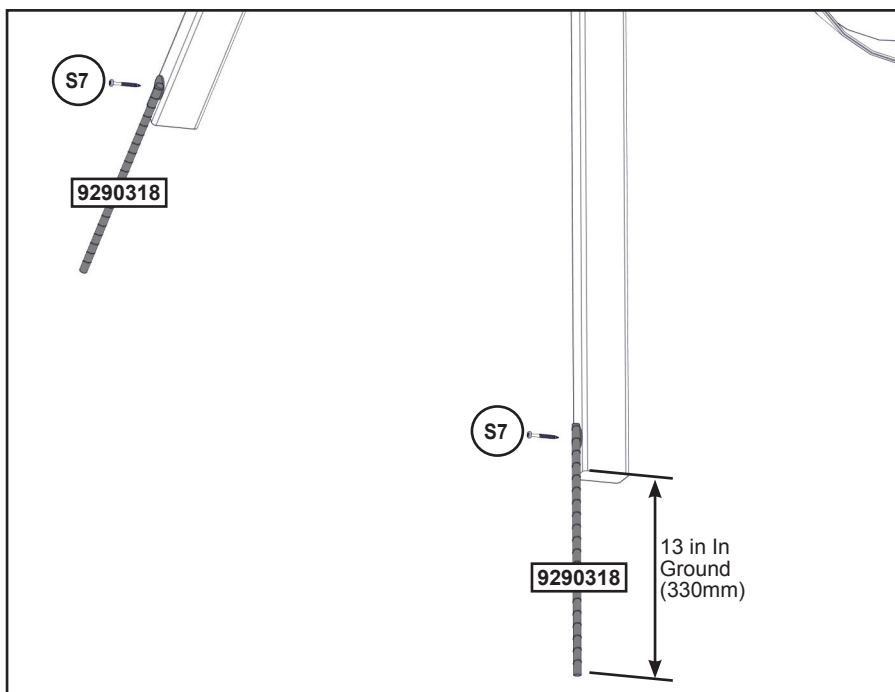
**Other Parts**

- |             |             |             |
|-------------|-------------|-------------|
| 2 x 9502045 | 2 x 9320131 | 1 x 3330285 |
| 2 x 9502020 | 1 x 9320130 |             |
| 1 x 9200131 | 6 x 9200020 |             |





**Warning!** To prevent tipping and avoid potential injury, stakes must be driven 13 in(330mm) into ground. Digging or driving stakes can be dangerous if you do not check first for underground wiring, cables or gas lines.



**SEE PAGE 2 FOR SAFETY CLEARANCE**

**MOVE FORT TO FINAL LOCATION PRIOR TO STAKING FINAL LOCATION MUST BE LEVEL GROUND**

**Hardware**

4 x **S7** #12 x 50.8mm (#12 x 2 in)

**Other Parts**

4 x **9290318**









# 3 EASY WAYS TO REGISTER YOUR PRODUCT 24/7

- 1) Scan this QR Code with your smart phone to complete your product registration directly from your phone:
- 2) Complete the registration online at: [https://www.kidkraft.com/us\\_en/warranty/](https://www.kidkraft.com/us_en/warranty/)
- 3) Mail this completed form to: KidKraft Inc., 4630 Olin Road, Dallas, Tx 75244 USA  
Make sure to include a copy of your proof of purchase



## KIDKRAFT Consumer Registration Card

First Name \_\_\_\_\_ Initial \_\_\_\_\_ Last Name \_\_\_\_\_

Street \_\_\_\_\_ Apt. No. \_\_\_\_\_

City \_\_\_\_\_ State/Province \_\_\_\_\_ ZIP/Postal Code \_\_\_\_\_

Country \_\_\_\_\_ Telephone Number \_\_\_\_\_

E-Mail Address \_\_\_\_\_

Model Number \_\_\_\_\_ Model Name \_\_\_\_\_

Model Number & Name example  
F2XXXX KidKraft Item Description

Purchased From \_\_\_\_\_ Date Purchase \_\_\_\_\_

ID Plaque example



Serial Number (on ID Plaque) \_\_\_\_\_

MM / DD / YY

Box #: _____ 1 of _____	Box #: _____ 4 of _____	<b>Box # (Ex: BXXXX 1of 6)</b> 
Box #: _____ 2 of _____	Box #: _____ 5 of _____	
Box #: _____ 3 of _____	Box #: _____ 6 of _____	

For common questions or for information on ordering replacement parts:

[https://www.kidkraft.com/us\\_en/warranty/](https://www.kidkraft.com/us_en/warranty/)

Distributed by:  
Costco Wholesale Corporation  
P.O. Box 34535  
Seattle, WA 98124-1535  
USA  
1-800-774-2678  
www.costco.com

Costco Wholesale Canada Ltd.\*  
415 W. Hunt Club Road  
Ottawa, Ontario  
K2E 1C5, Canada  
1-800-463-3783  
www.costco.ca  
\* faisant affaire au Québec sous  
le nom les Entrepôts Costco

Importado por:  
Importadora Primex S.A. de C.V.  
Blvd. Magnocentro No. 4  
San Fernando La Herradura  
Huixquilucan, Estado de México  
C.P. 52765  
RFC: IPR-930907-S70  
(55)-5246-5500  
www.costco.com.mx

Costco Wholesale Australia Pty Ltd  
17-21 Parramatta Road  
Lidcombe NSW 2141  
Australia  
www.costco.com.au

Costco Wholesale UK Ltd /  
Costco Online UK Ltd  
Hartspring Lane  
Watford, Herts  
WD25 8JS  
United Kingdom  
01923 213113  
www.costco.co.uk

Costco Wholesale Spain S.L.U.  
Polígono Empresarial Los Gavilanes  
C/ Agustín de Betancourt, 17  
28906 Getafe (Madrid) España  
NIF: B86509460  
900 111 155  
www.costco.es

Costco Wholesale Iceland ehf.  
Kauptún 3-7, 210 Gardabaer  
Iceland  
www.costco.is

Costco France  
1 avenue de Bréhat  
91140 Villebon-sur-Yvette  
France  
01 80 45 01 10  
www.costco.fr

Costco Wholesale Japan Ltd.  
2 Kakuchi, 2 Gaiku, Kaneda-Nishi  
361 Urakura, Kisarazu shi  
Chiba, 292-0007 Japan  
0570-200-800  
www.costco.co.jp

Costco Wholesale Korea, Ltd.  
40, Iljik-ro  
Gwangmyeong-si  
Gyeonggi-do, 14347, Korea  
1899-9900  
www.costco.co.kr

Costco Wholesale New Zealand Limited  
2 Gunton Drive  
Westgate  
Auckland 0814  
New Zealand  
www.costco.co.nz

Costco (China) Investment Co., Ltd.  
No. 5178, KangXin Road,  
Pudong New Area, Shanghai  
China 201315  
+86-21-6257-7065

Costco Wholesale Sweden AB  
Box 614  
114 11 Stockholm  
Sweden  
www.costco.se

MADE IN CHINA