

# SOJAG

Sojag code :500-9169966

CUP/UPC code:772830169966

ITM. /ART. 1807308

QUESTIONS? 1-855-659-4402

costco@shelterlogic.com

Francais / Lun.-Ven. 8h30-16h30 EST

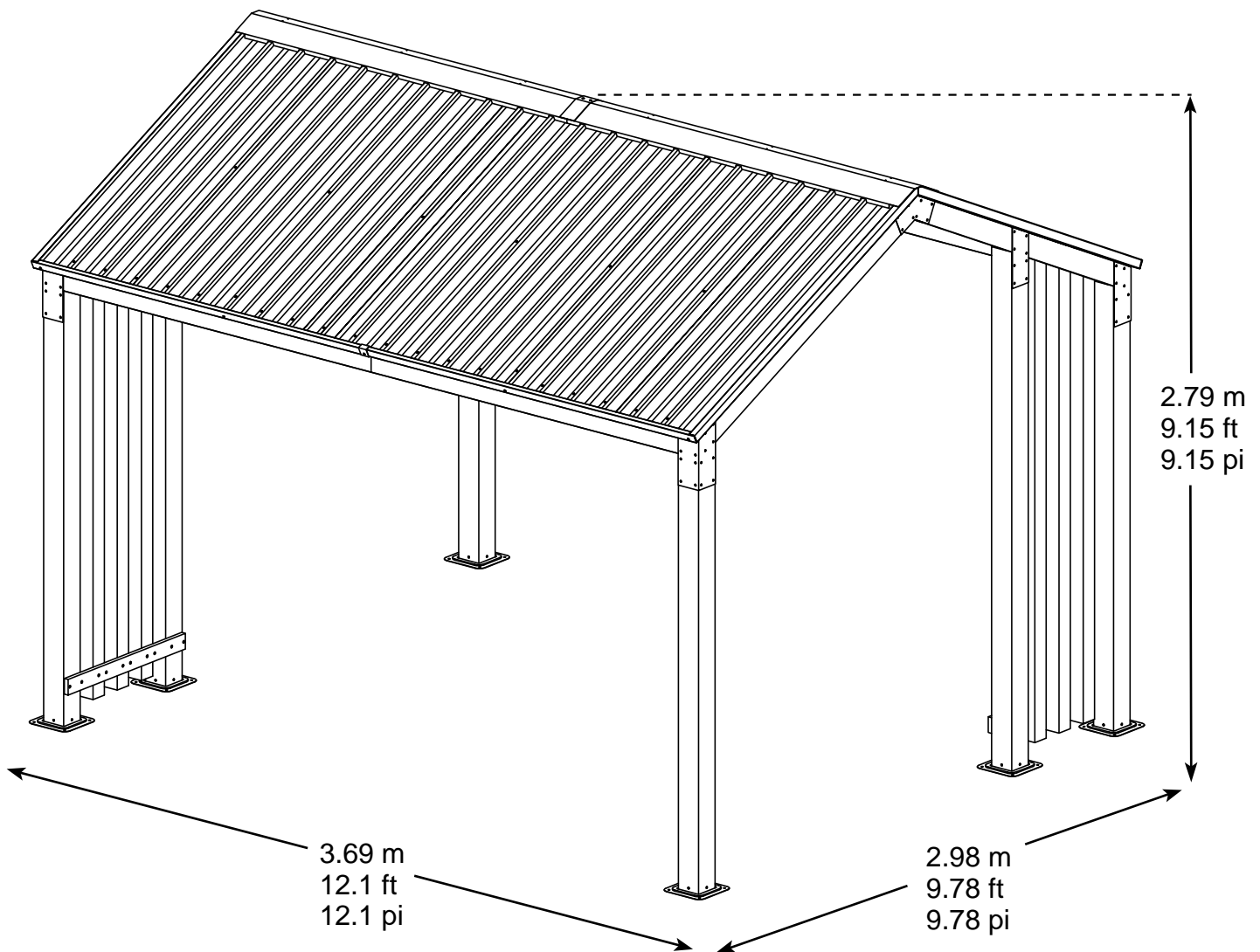
English / Mon.-Fri. 8:30am-4:30pm EST

## Assembly Manual / Guide d'assemblage / Manual de ensamblaje

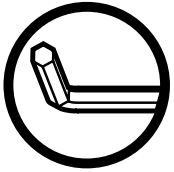
IMPORTANT, RETAIN FOR FUTURE REFERENCE: READ CAREFULLY

IMPORTANT, À CONSERVER POUR DE FUTURS BESOINS DE RÉFÉRENCE: À LIRE SOIGNEUSEMENT

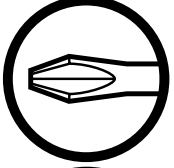
IMPORTANTE, CONSERVE PARA FUTURA REFERENCIA: LEA CUIDADOSAMENTE



THIS ITEM IS INTENDED FOR OUTDOOR DOMESTIC USE ONLY. NOT FOR COMMERCIAL USE.  
CET ARTICLE EST DESTINÉ À UN USAGE DOMESTIQUE EXTÉRIEUR UNIQUEMENT. NON CONÇU POUR UNE UTILISATION COMMERCIALE.  
ESTE ARTÍCULO ES PARA USO DOMÉSTICO EN EXTERIORES SOLAMENTE. NO ES PARA USO COMERCIAL.



Use the hex keys provided in the box. / Utilisez les clés hexagonales fournies dans la boîte. / Utilice las llaves hexagonales incluidas en la caja.



Please use a Phillips screwdriver (not included). / Utilisez un tournevis de type Phillips (non inclus). / Por favor, use un destornillador Philips (no incluido).



You may need to use a drill for this step (not included). / Vous pouvez avoir besoin d'utiliser une perceuse pour cette étape (non incluse). / Puede que tenga que utilizar un taladro para este paso (no incluida).



Wearing protective gloves is recommended. / Le port de gants de protection est recommandé. / Se recomienda el uso de guantes de protección.



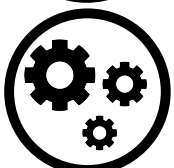
Two or more people are required at this stage. / Deux personnes ou plus sont nécessaires à cette étape. / Para este paso se requieren dos o más personas.



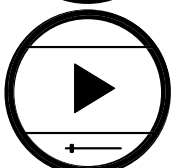
Hand tighten, do not tighten screws all the way for now. / Ne pas visser fermement pour l'instant. / No atornille con firmeza por ahora.



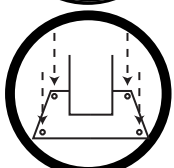
Sold separately. / Vendus séparément. / Se vende por separado.



Optional step / Étape optionnelle / Paso opcional



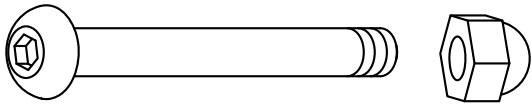
Assembly video link / Lien vidéo d'installation / enlace de video de ensamblaje  
<https://www.shelterlogic.com/sojag/videos>



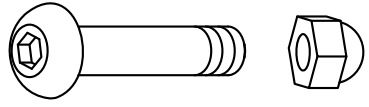
The gazebo must be anchored (hardware not included) / Le gazébo doit être ancré (quincaillerie non incluse) / El gazebo debe estar anclado (herramientas no incluidas)



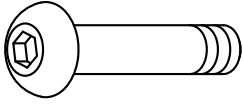
**S** X 8 (EXTRA 2 pcs)

A technical drawing of a bolt and a nut. The bolt is shown in profile, featuring a hexagonal head with a central hole and a threaded shaft. The nut is shown from a top-down perspective, highlighting its hexagonal shape and internal threads.

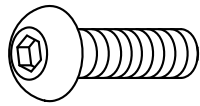
**T** X 36 (EXTRA 4 pcs)

A technical drawing of a bolt and a nut, identical to the one in block S. The bolt is shown in profile, and the nut is shown from a top-down perspective.

**U** X 4 (EXTRA 2 pcs)

A technical drawing of a bolt, shown in profile. It has a hexagonal head and a threaded shaft.

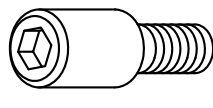
**V** X 260 (EXTRA 10 pcs)

A technical drawing of a bolt, shown in profile. It has a hexagonal head and a threaded shaft.

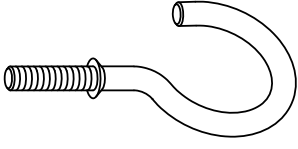
**X1** X 4 (EXTRA 2 pcs)

A technical drawing of a bolt and a nut, identical to the one in block S. The bolt is shown in profile, and the nut is shown from a top-down perspective.

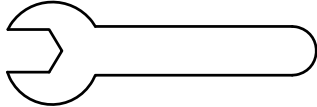
**X2** X 36 (EXTRA 4 pcs)

A technical drawing of a bolt, shown in profile. It has a hexagonal head and a threaded shaft.

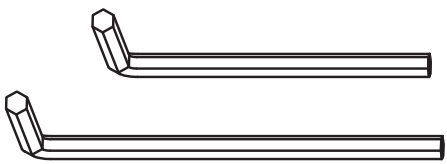
**Wa** X 3

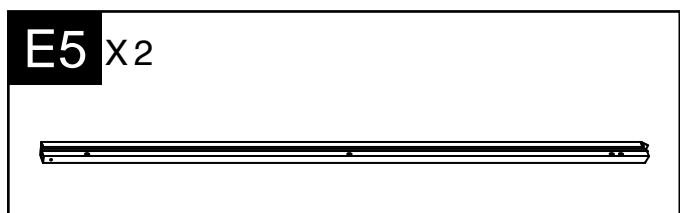
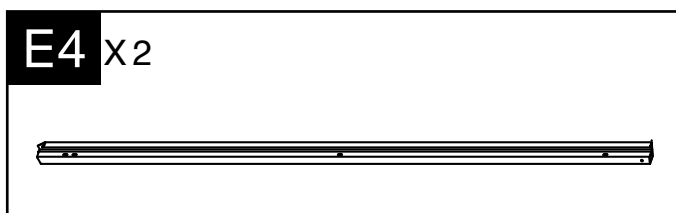
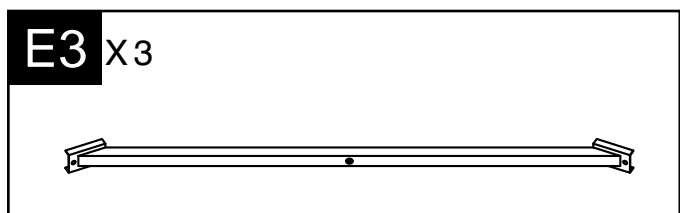
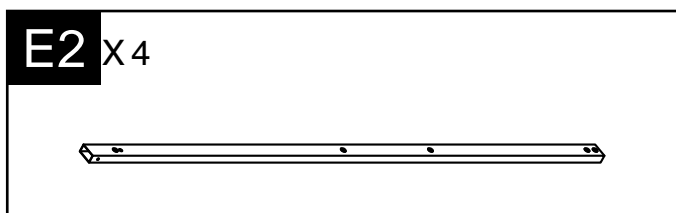
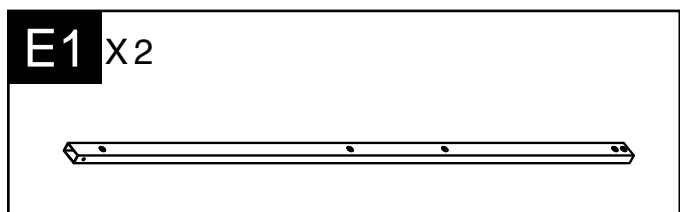
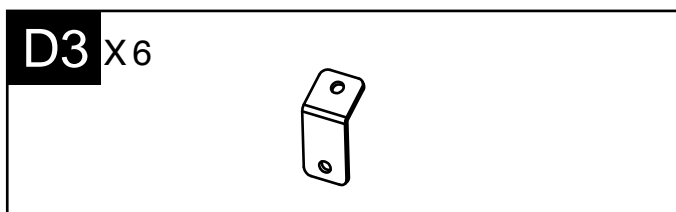
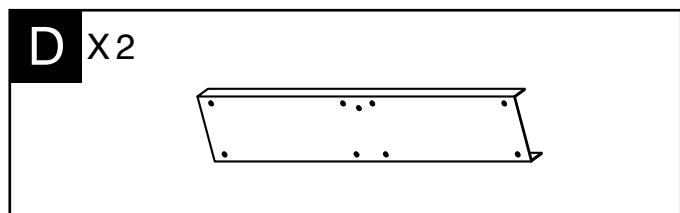
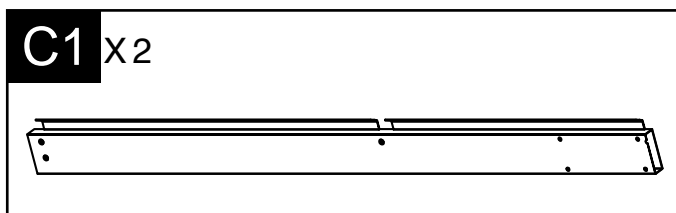
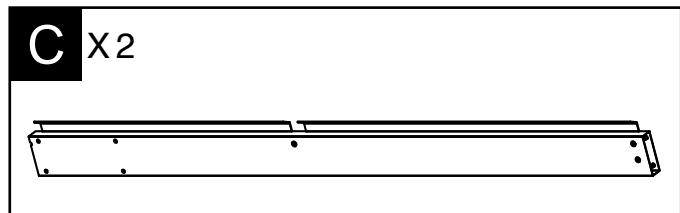
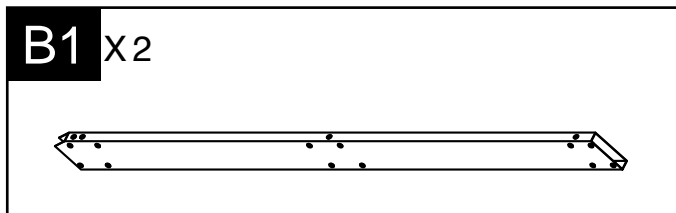
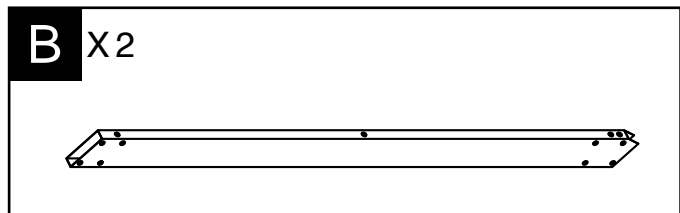
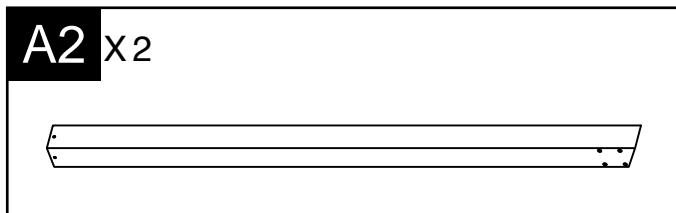
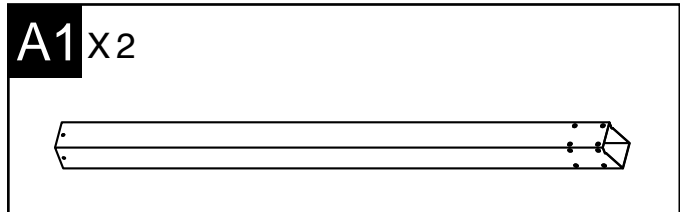
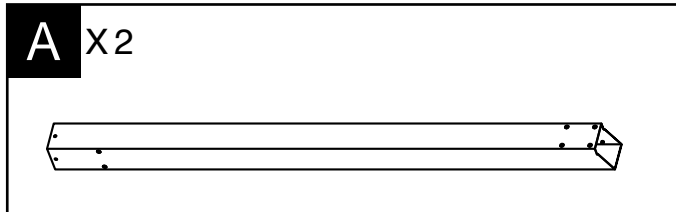
A technical drawing of a hook bolt. It features a threaded shaft and a curved hook at the end.

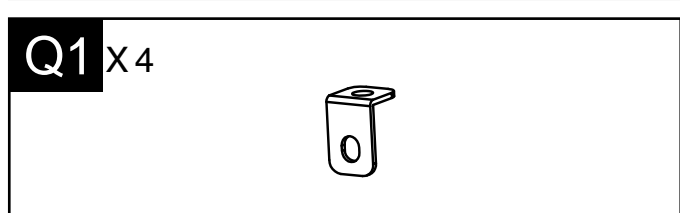
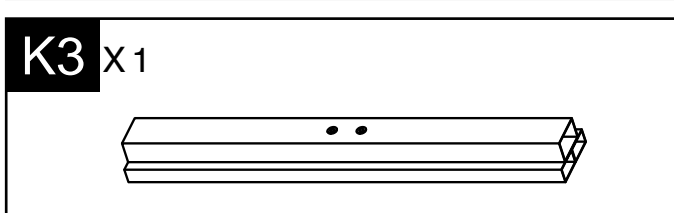
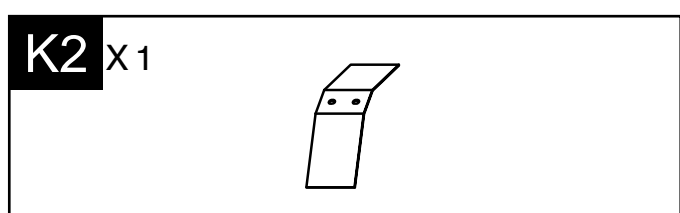
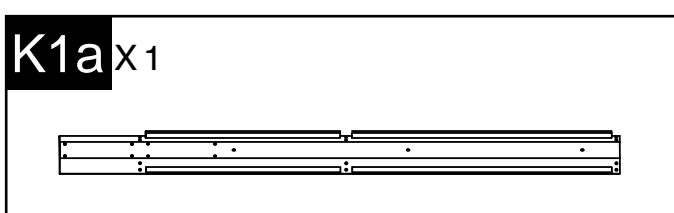
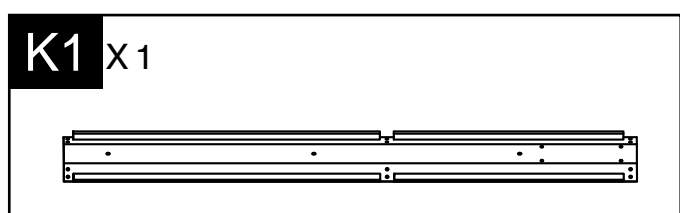
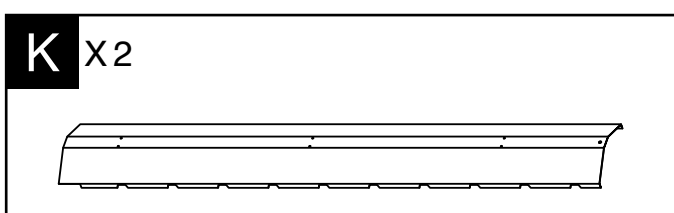
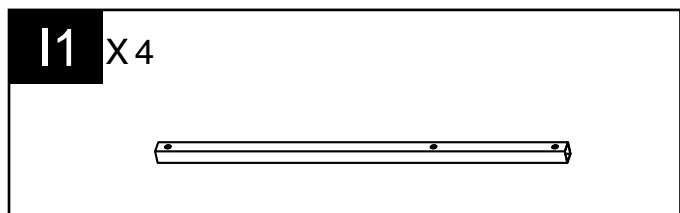
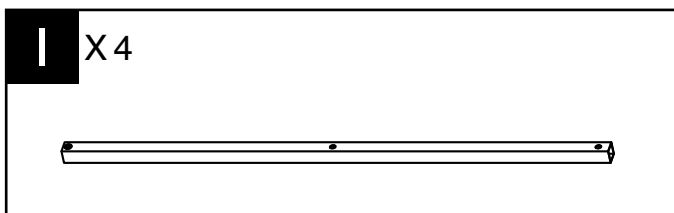
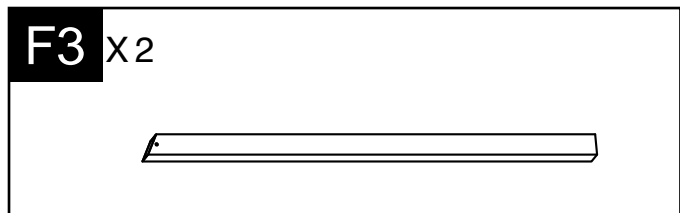
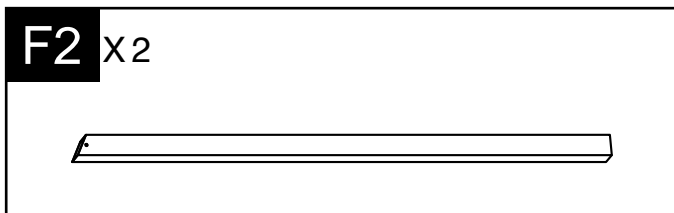
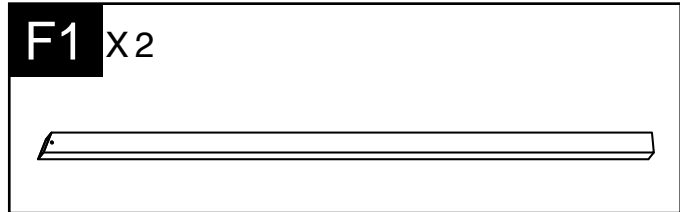
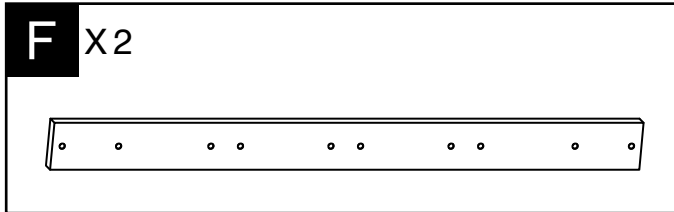
**W2** X 1

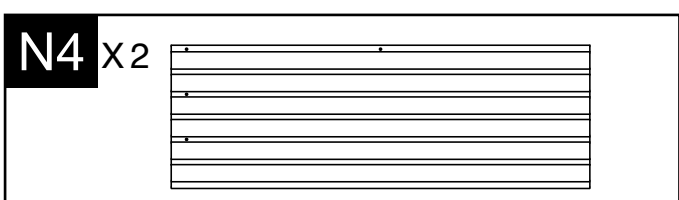
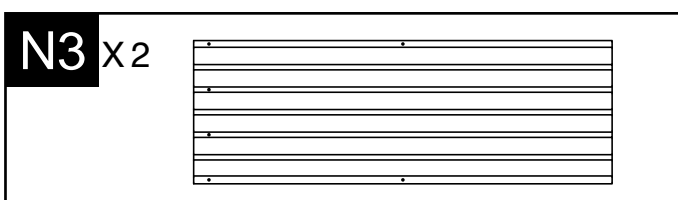
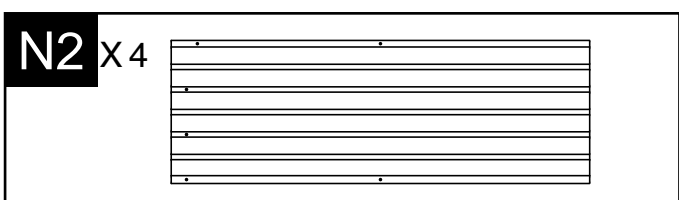
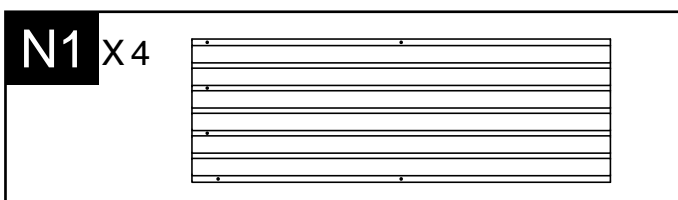
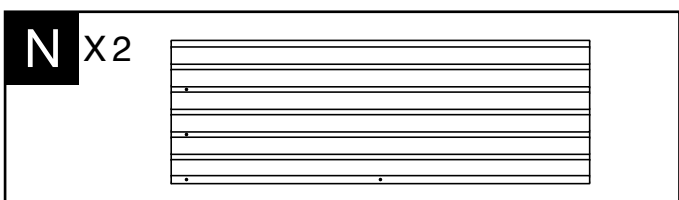
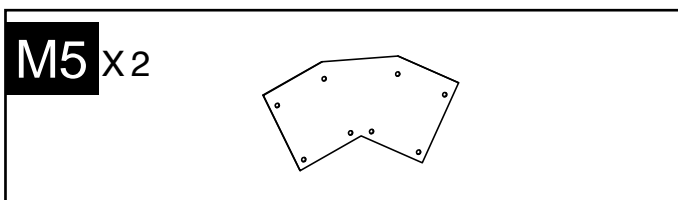
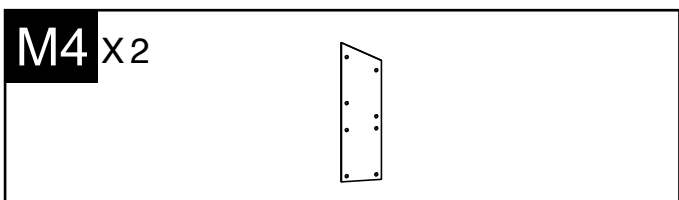
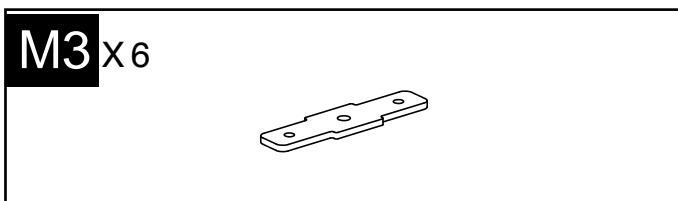
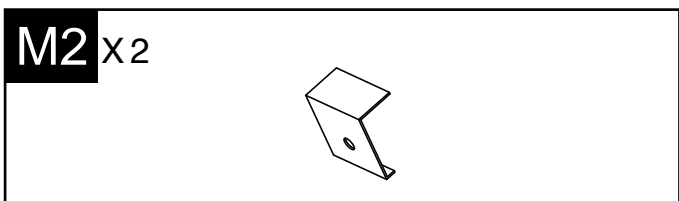
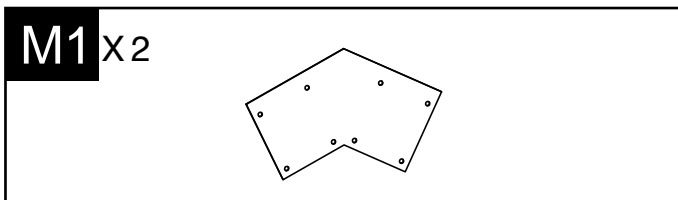
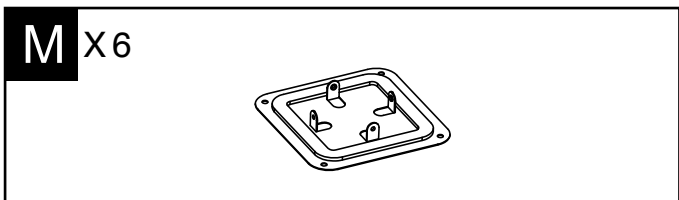
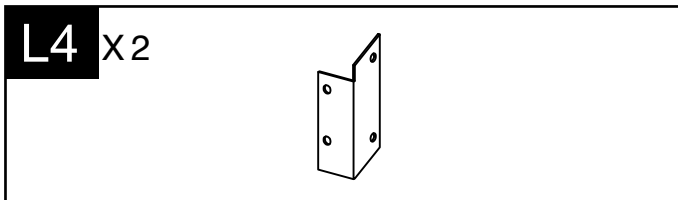
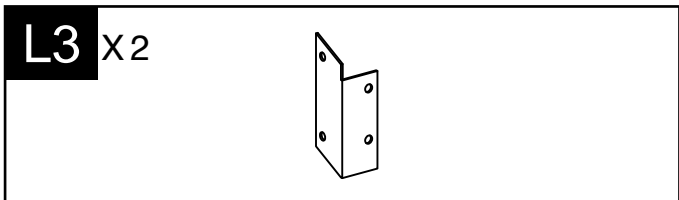
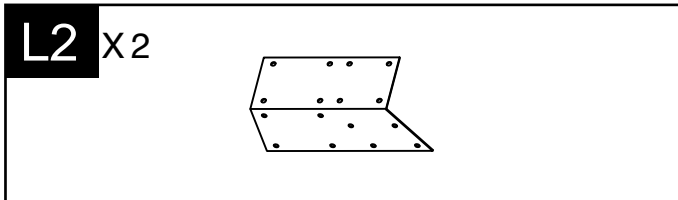
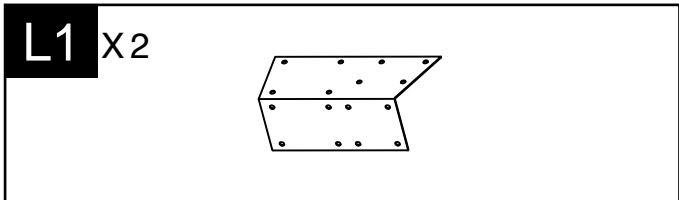
A technical drawing of a wrench, shown in profile. It has a long handle and two open ends.

**Z** X 1

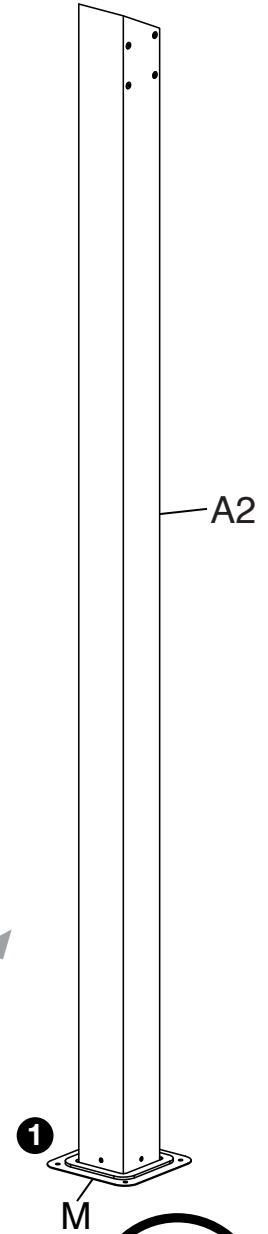
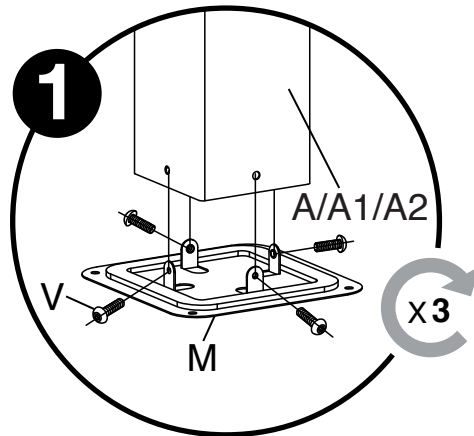
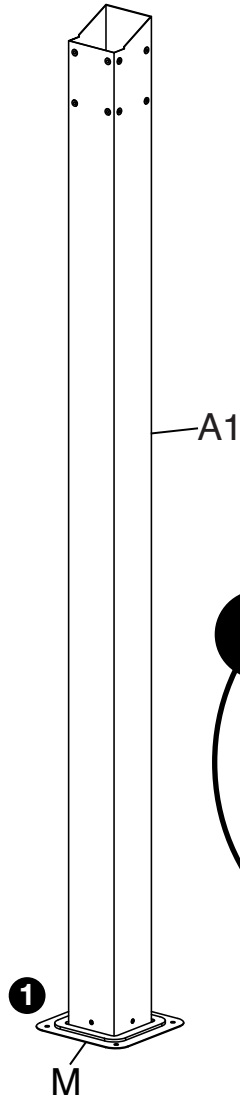
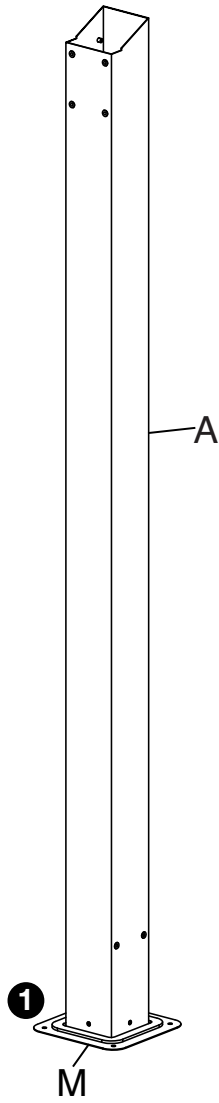
A technical drawing of two L-shaped bolts. Each bolt has a hexagonal head and a long, thin shaft that is bent at a right angle.






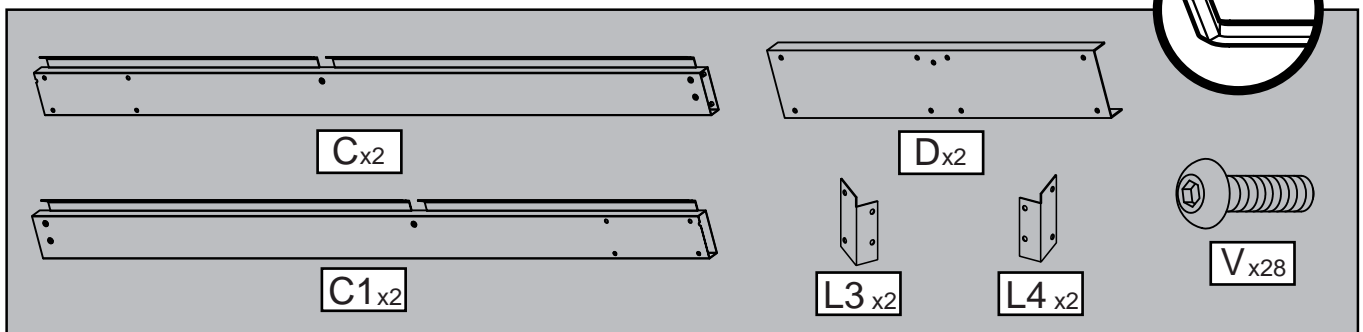
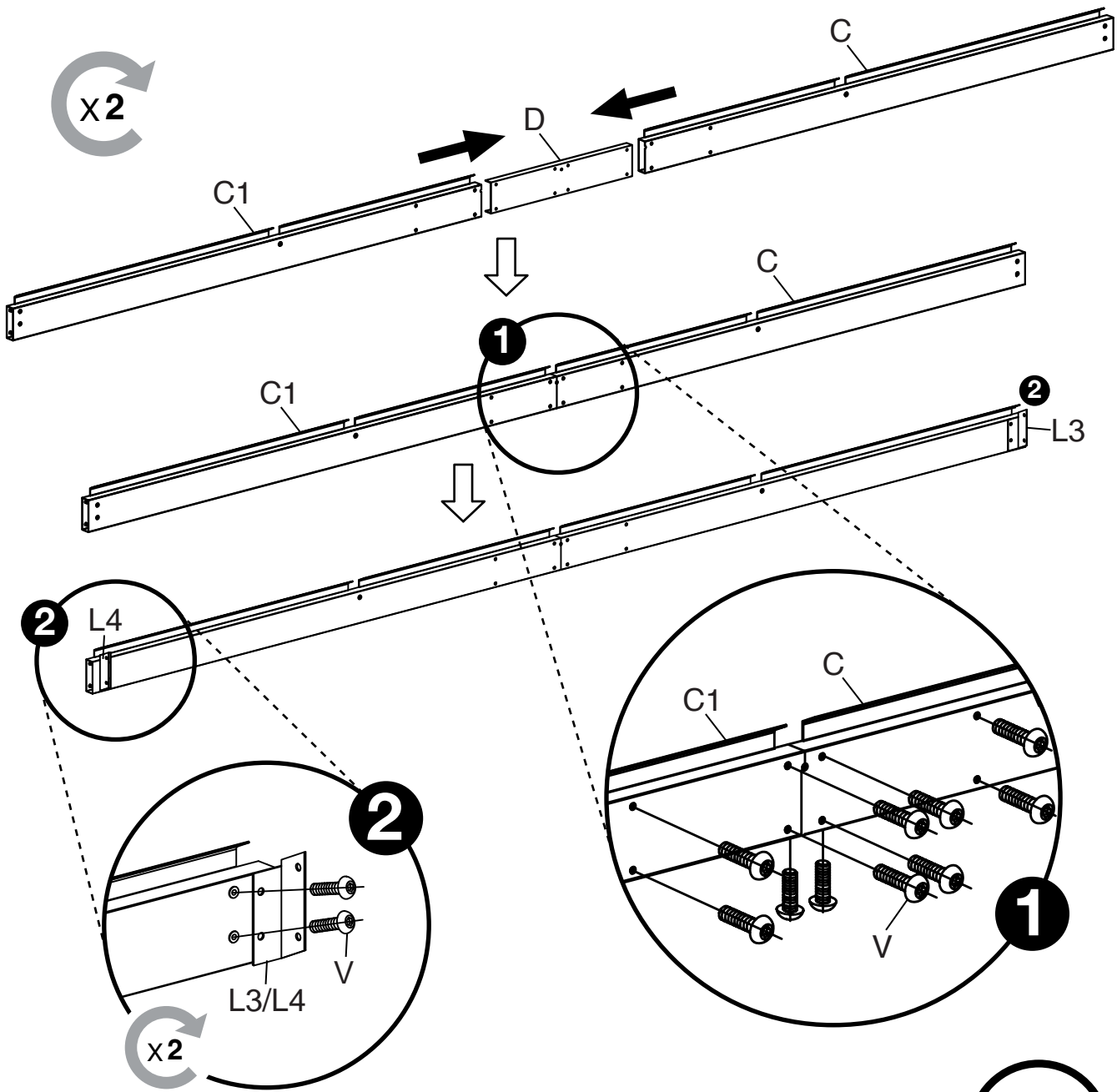


x2

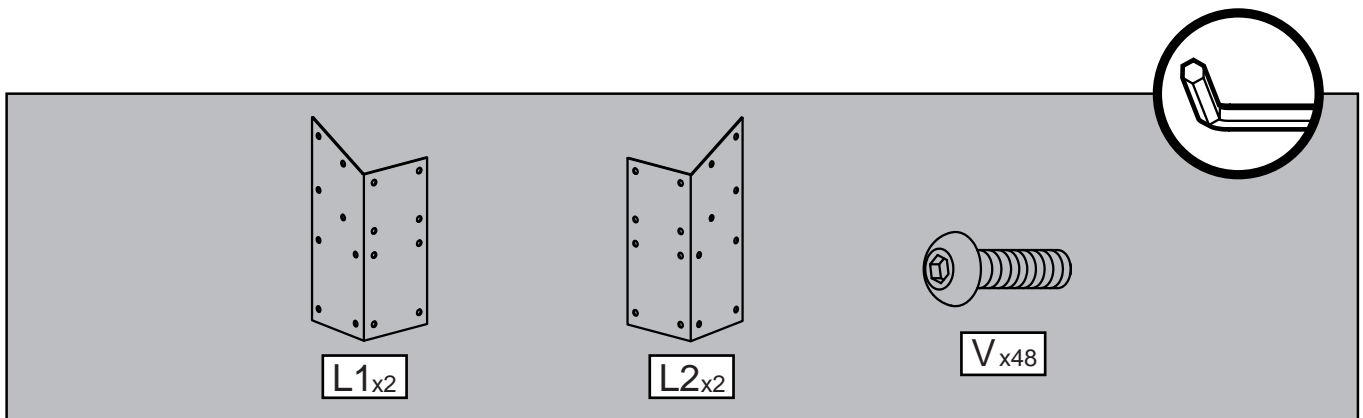
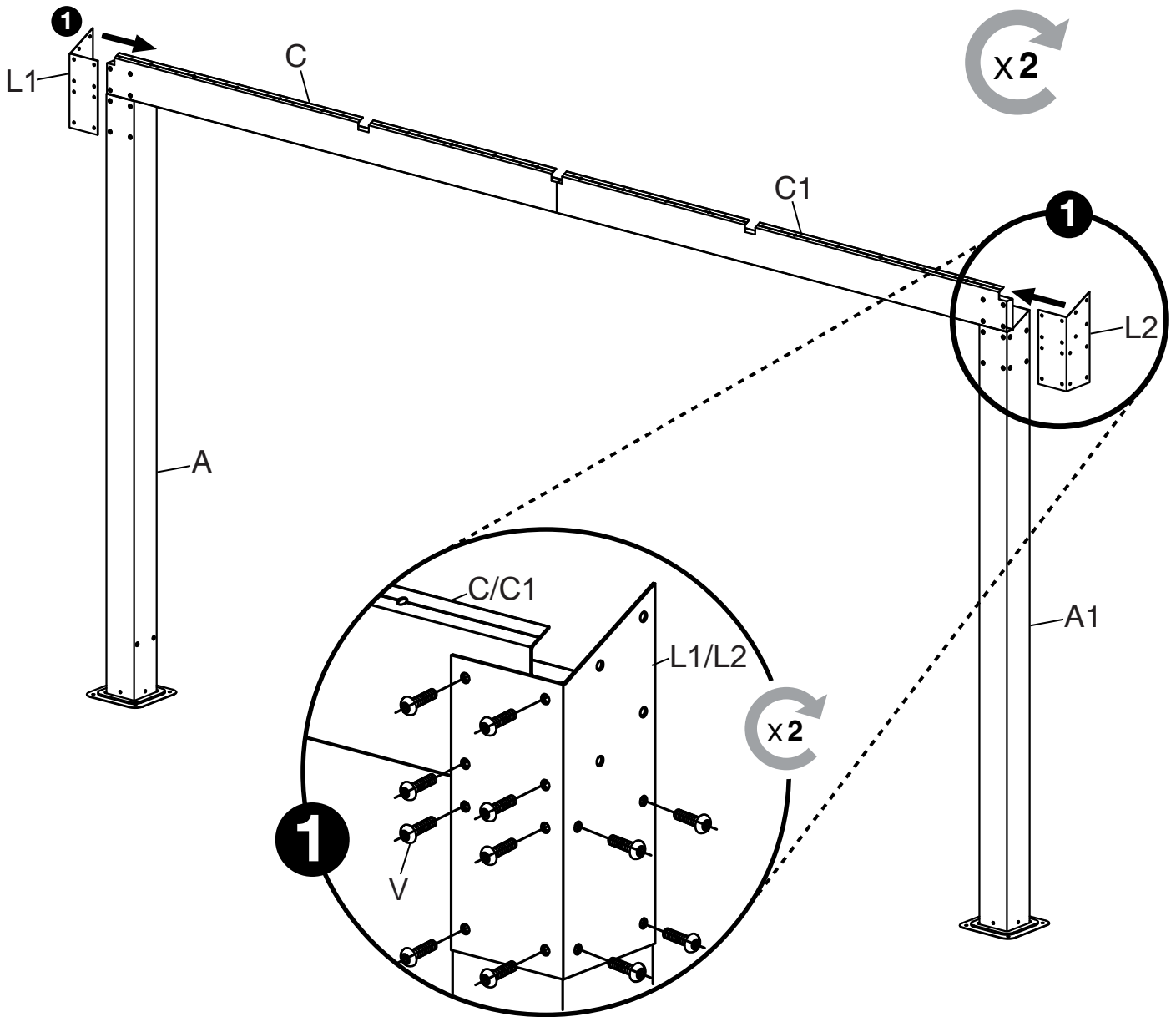


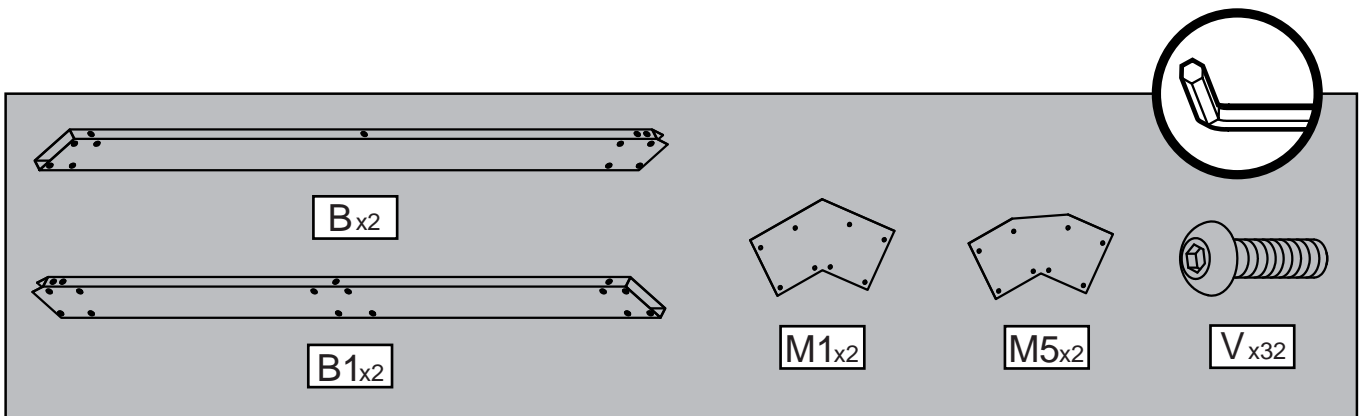
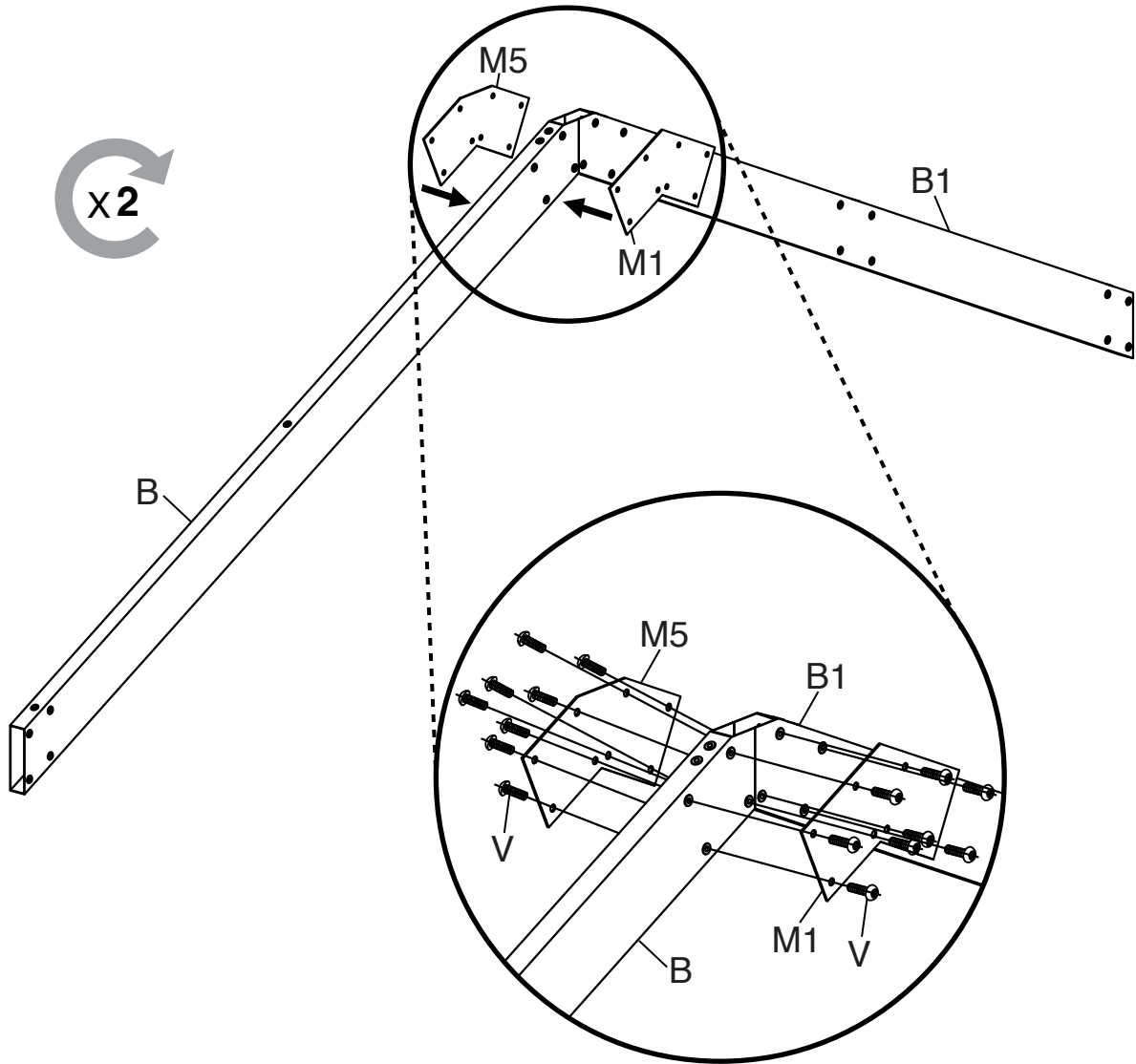
	A <sub>x2</sub>		
	A1 <sub>x2</sub>		
	A2 <sub>x2</sub>		

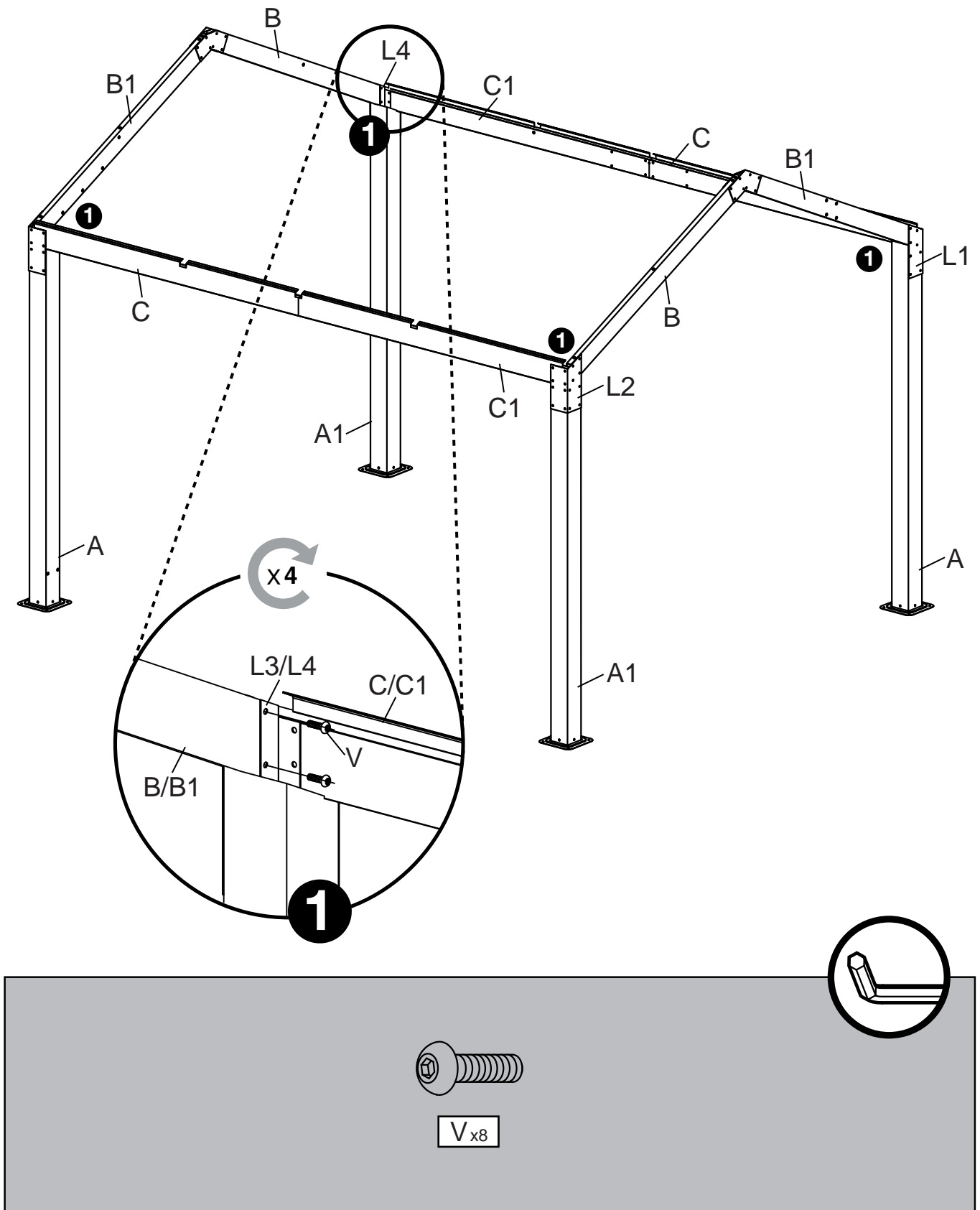


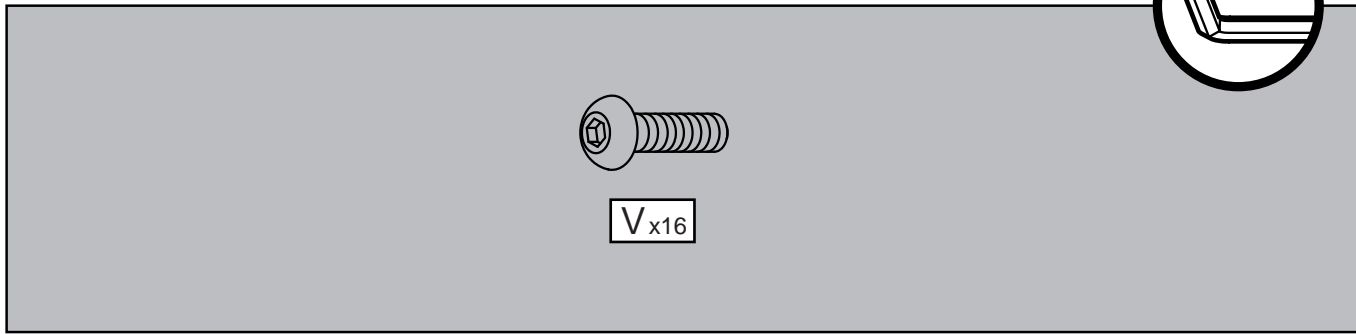
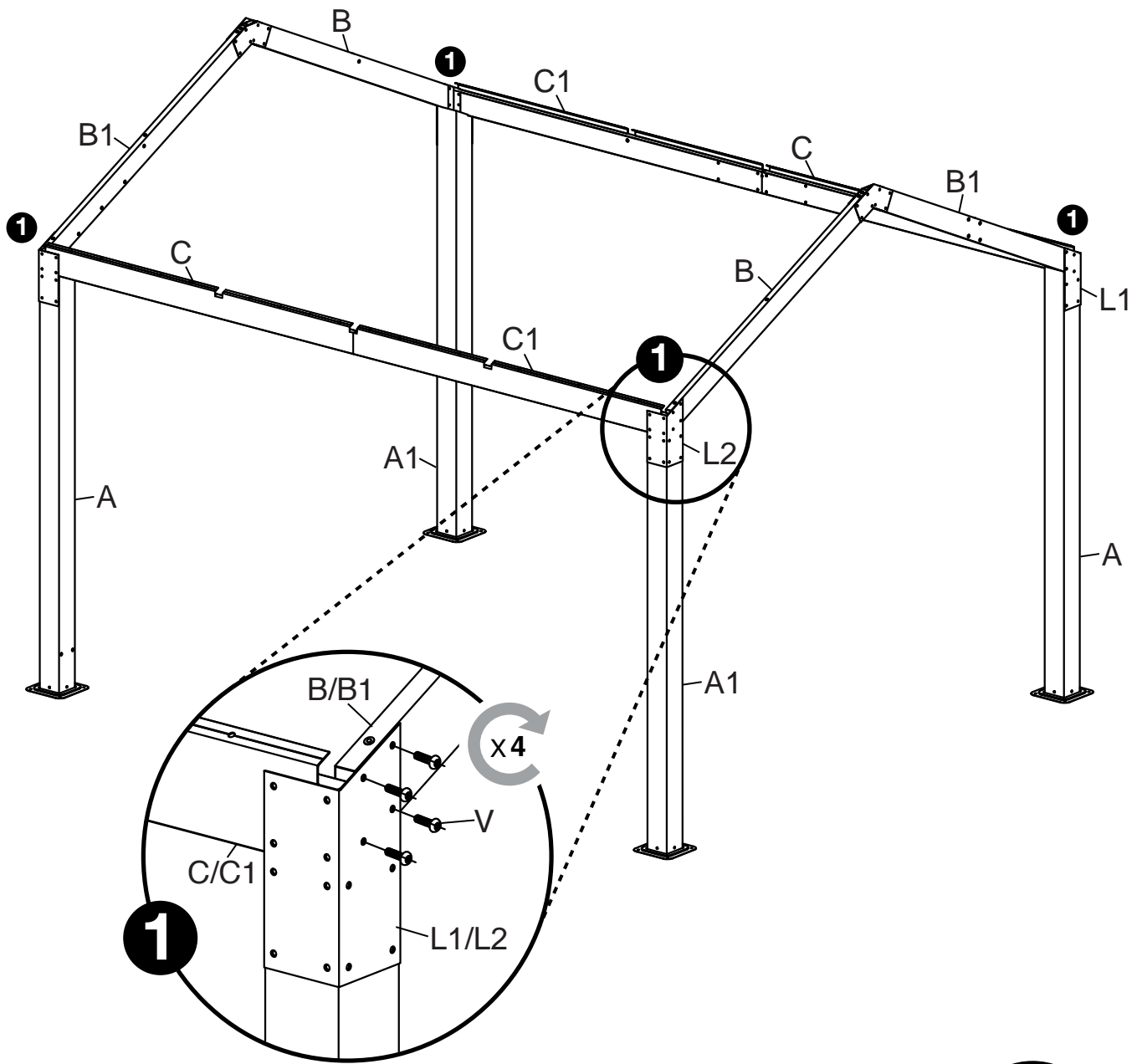


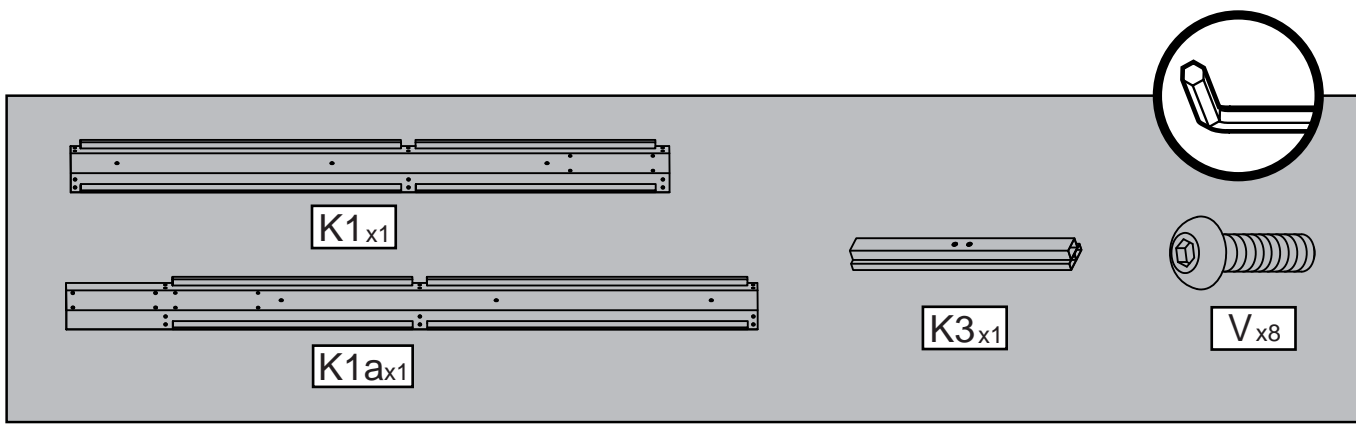
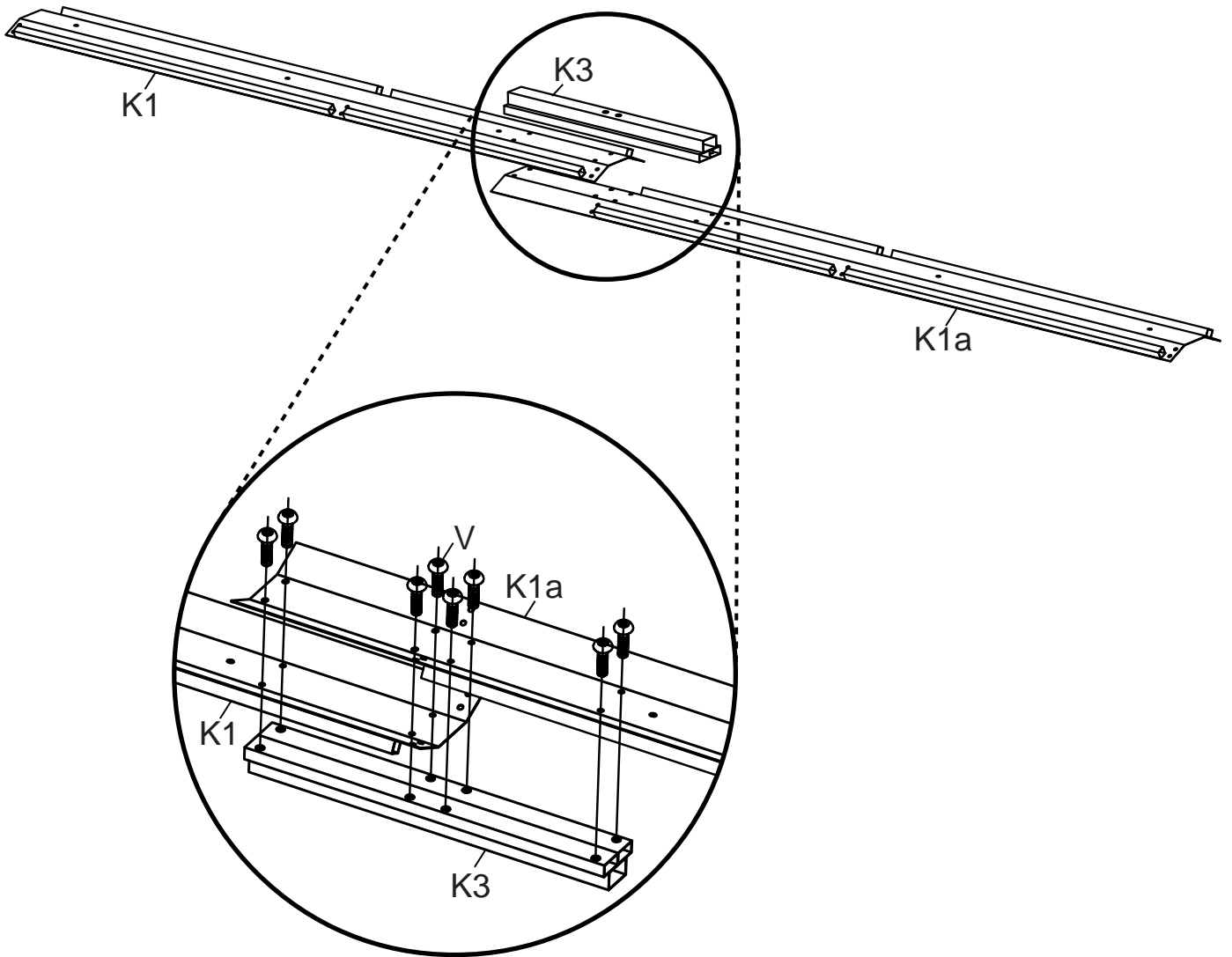


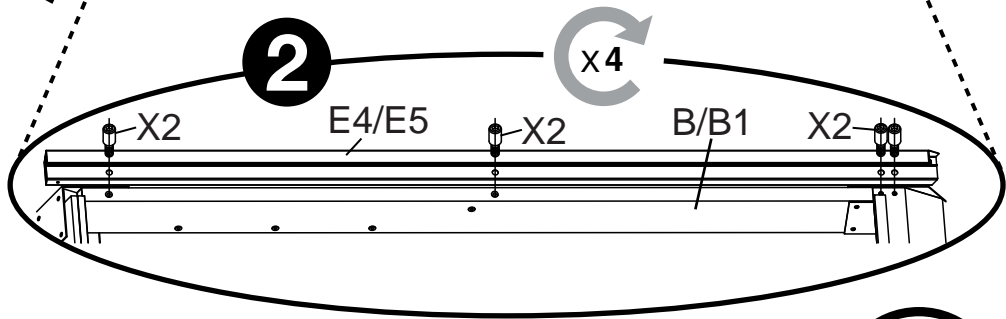
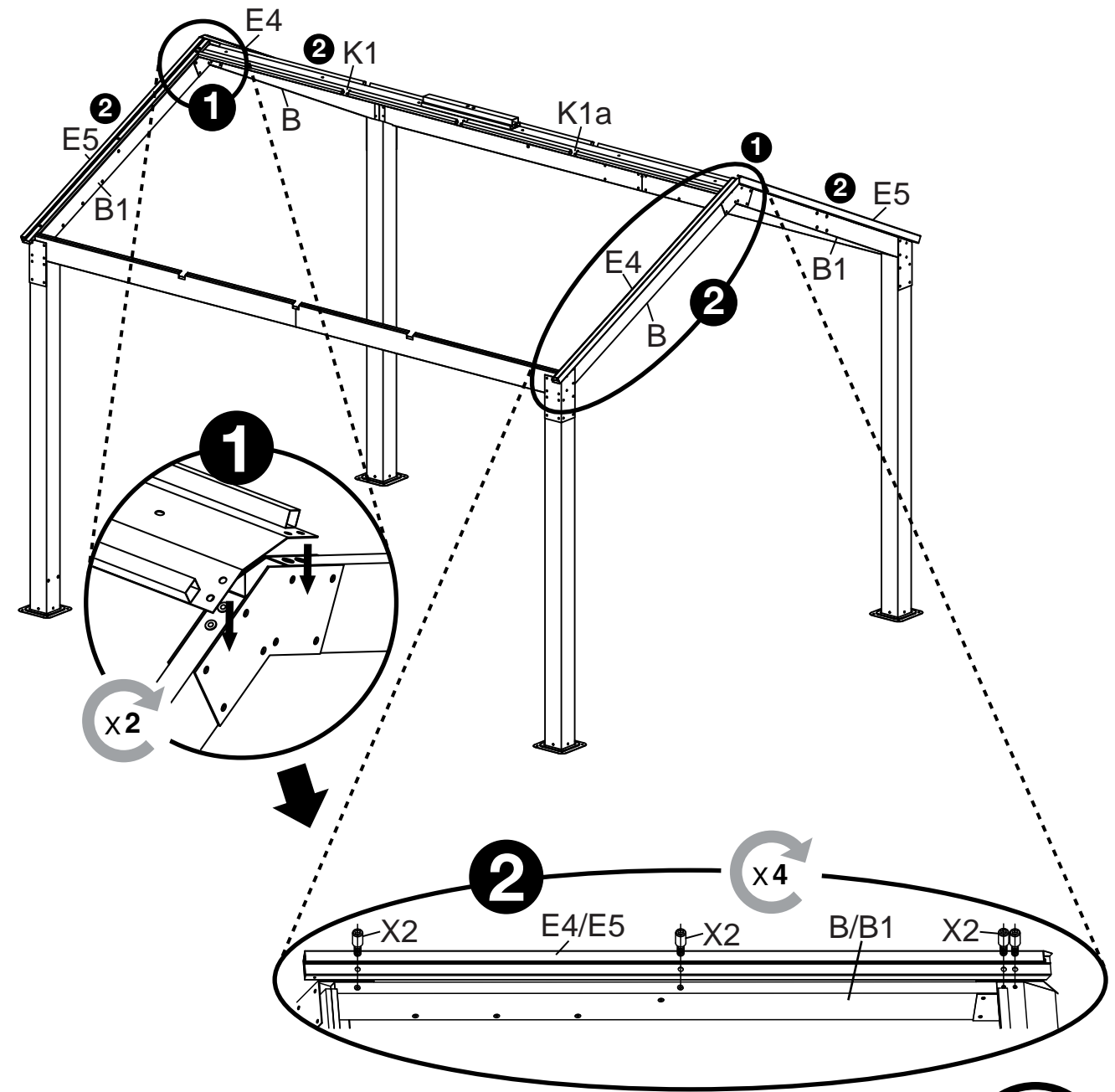




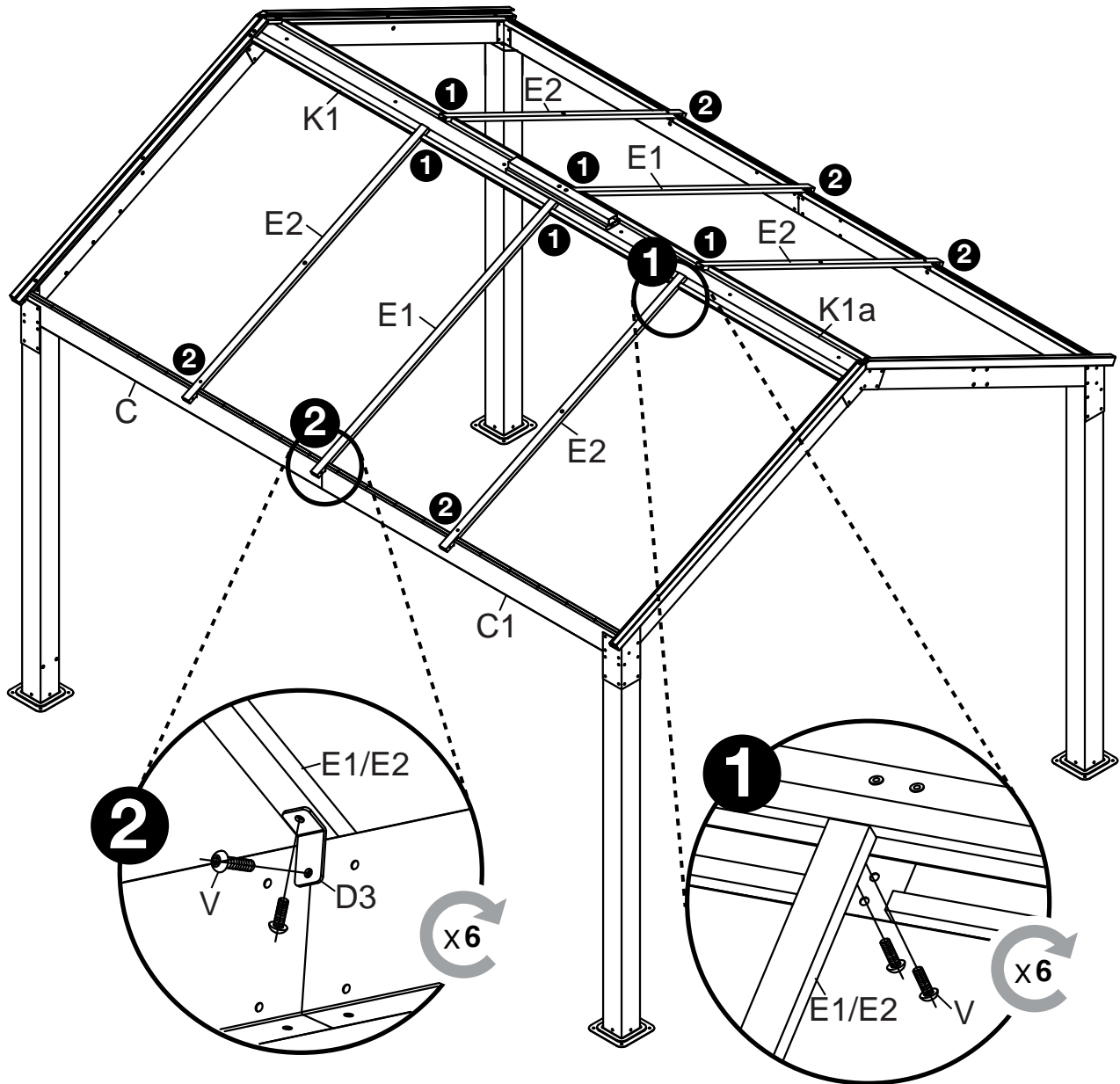








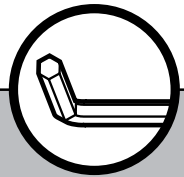
This section contains the parts list for the assembly. It shows two long, thin rails. The top rail is labeled **E4 x2** and the bottom rail is labeled **E5 x2**. To the right of the rails is a screw labeled **X2 x16**. In the top right corner of this section is a small circular inset showing a corner bracket.



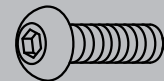
E1<sub>x2</sub>



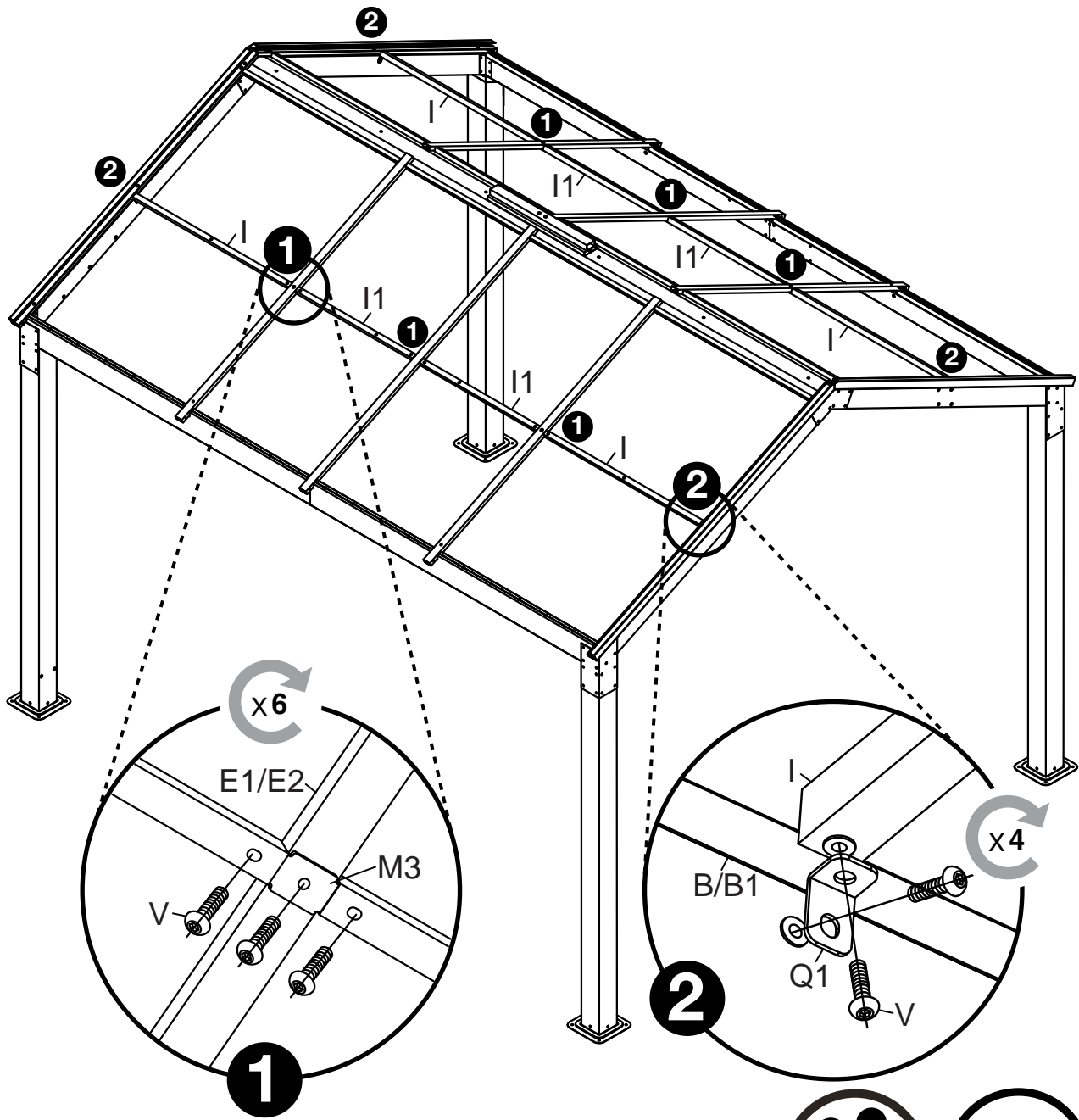
E2<sub>x4</sub>



D3<sub>x6</sub>

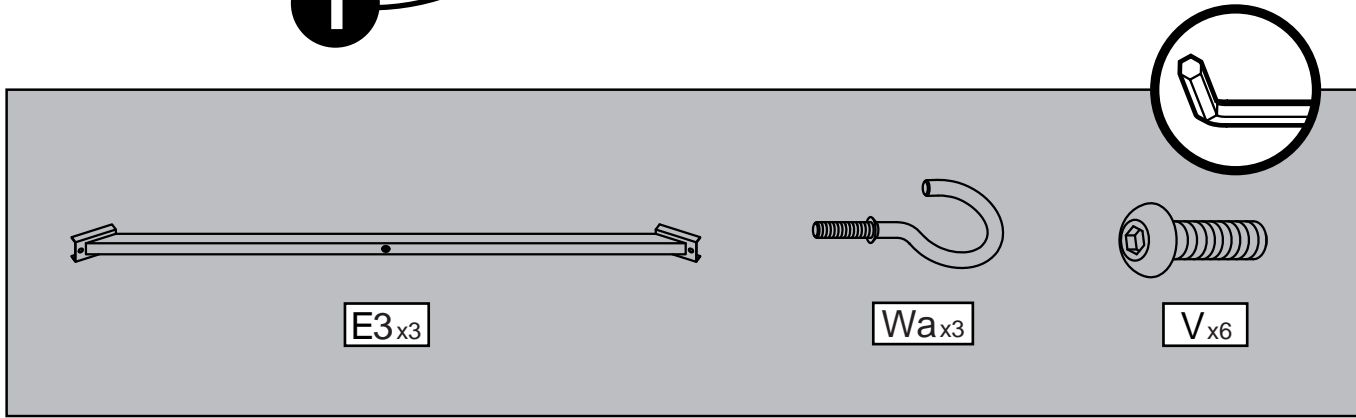
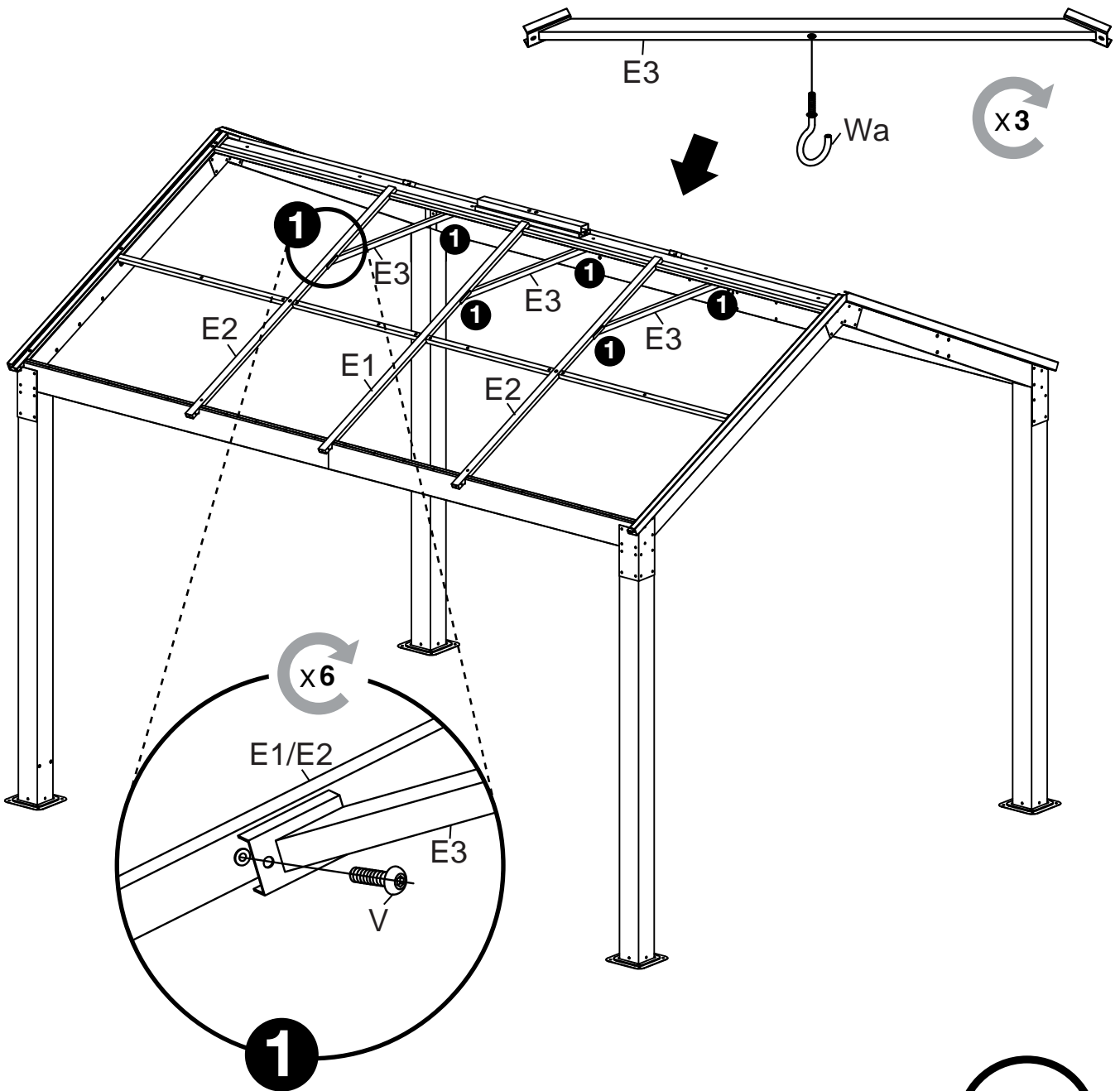


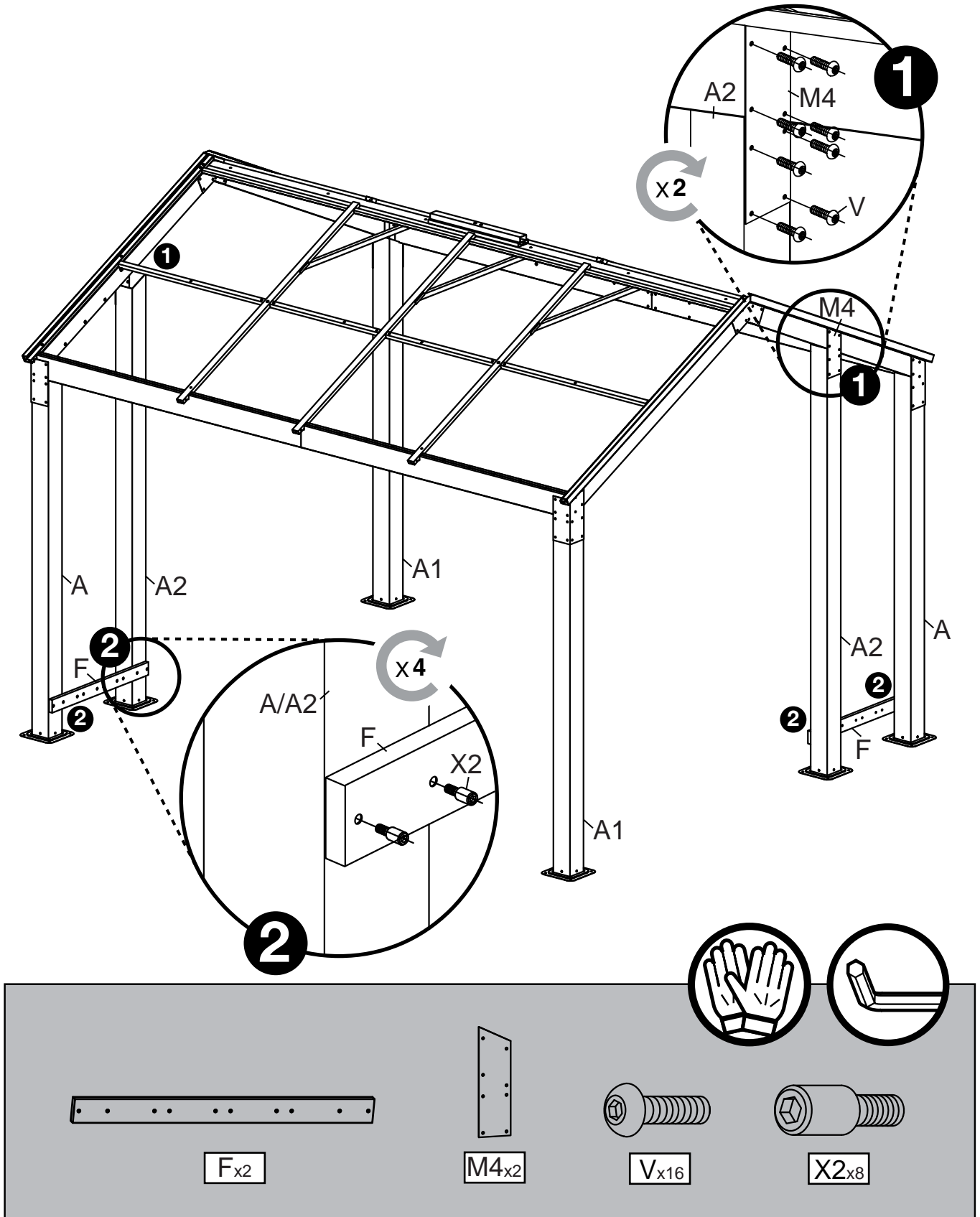
V<sub>x24</sub>

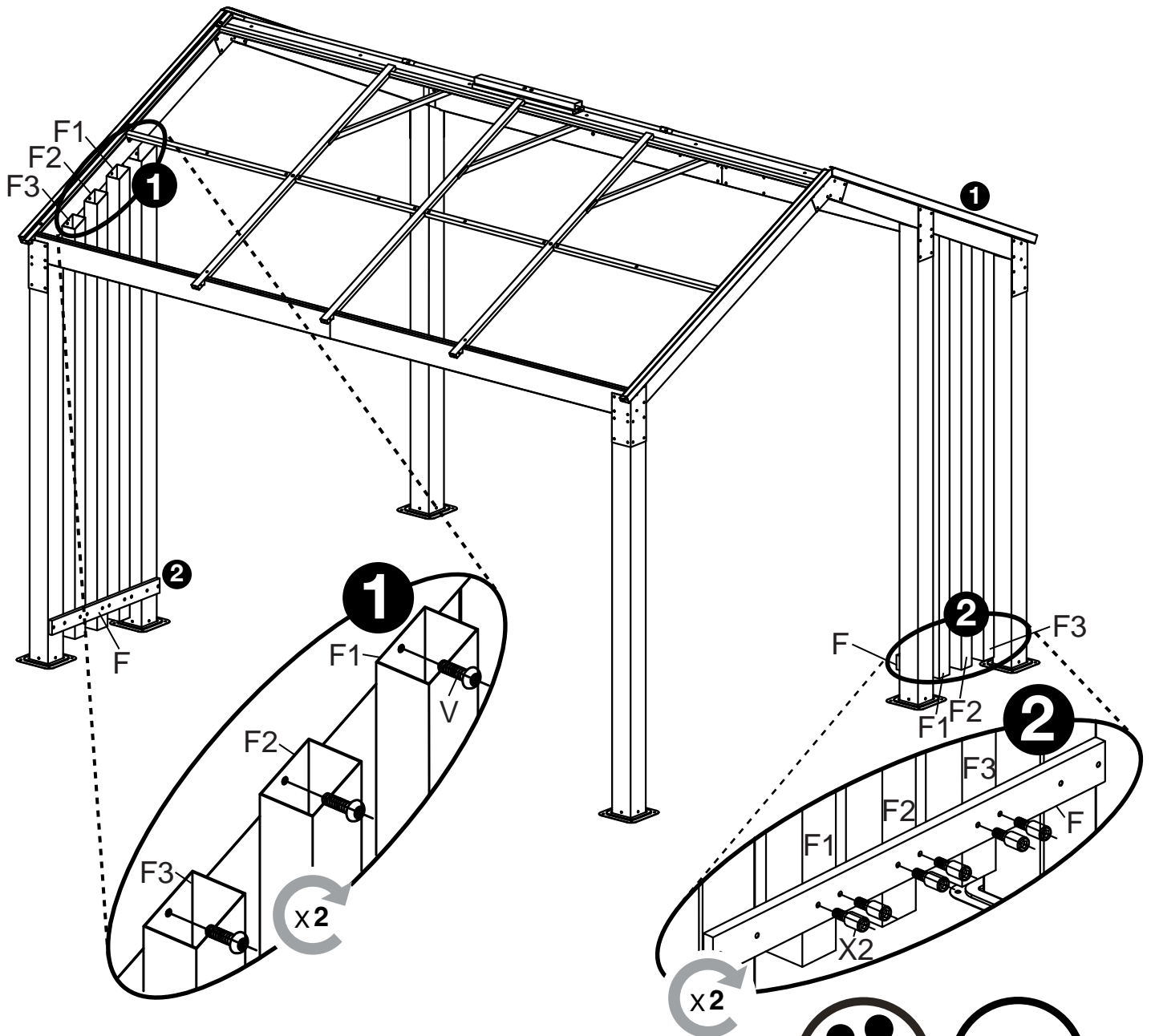


This section lists the parts required for the assembly. It includes two long beams, one labeled 'l x4' and the other 'l1 x4'. Below these are four types of hardware: a small bracket labeled 'Q1 x4', a flat plate labeled 'M3 x6', a screw labeled 'V x26', and a circular icon containing a person icon and the number '2+', indicating that two people are required for this step. There is also a circular icon showing a corner bracket.

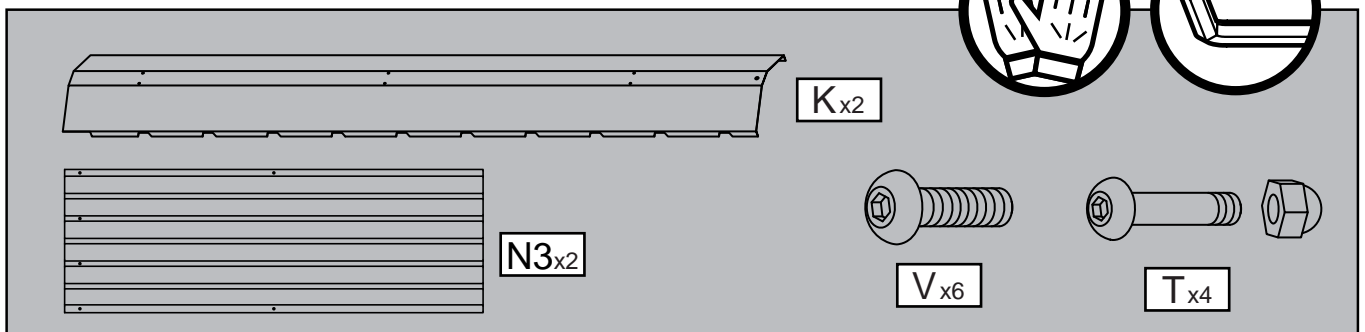
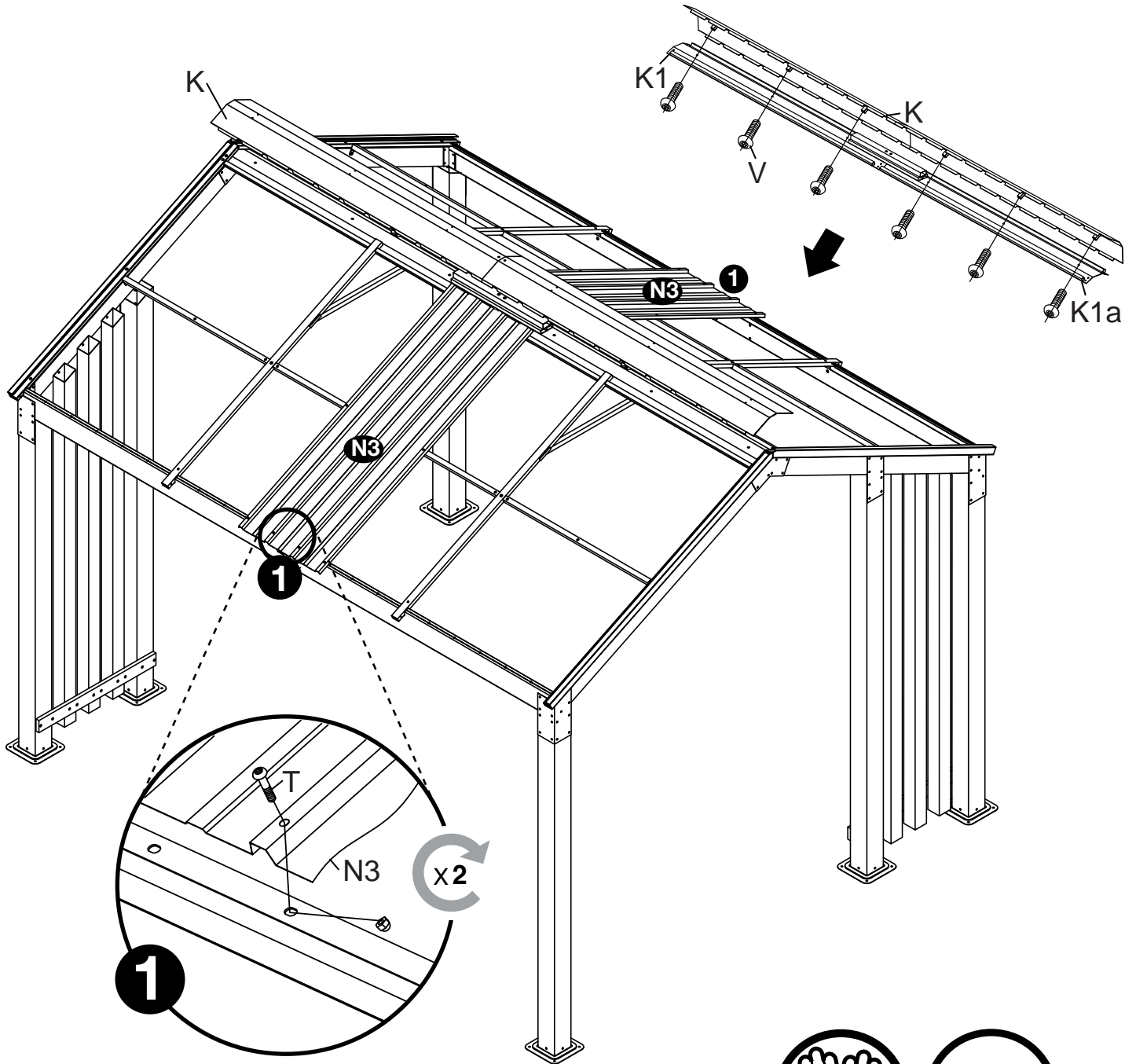


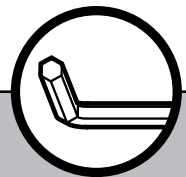
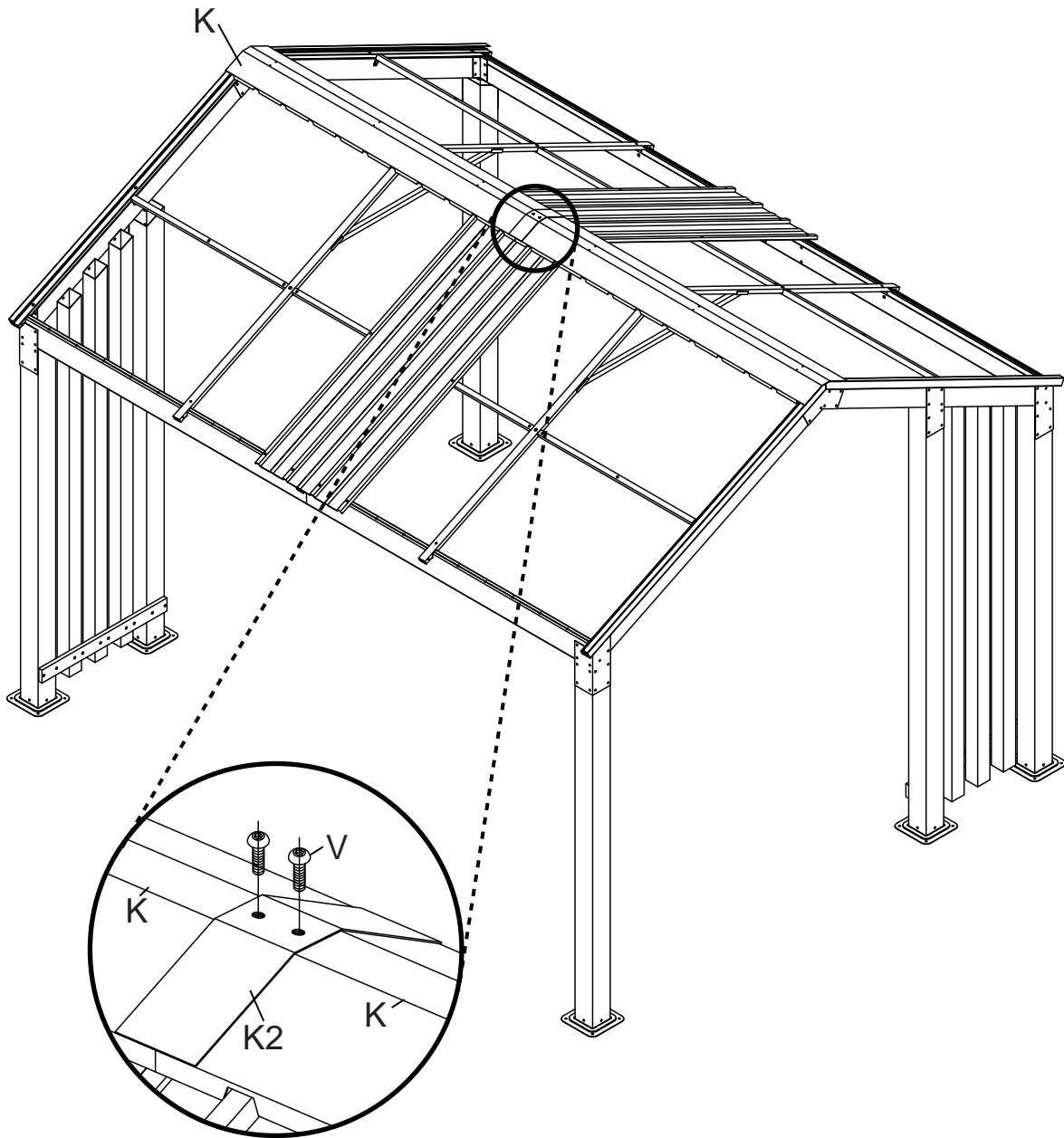




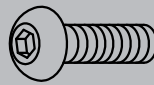


	F1x2	 
	F2x2	
	F3x2	
		 Vx6
		 X2x12

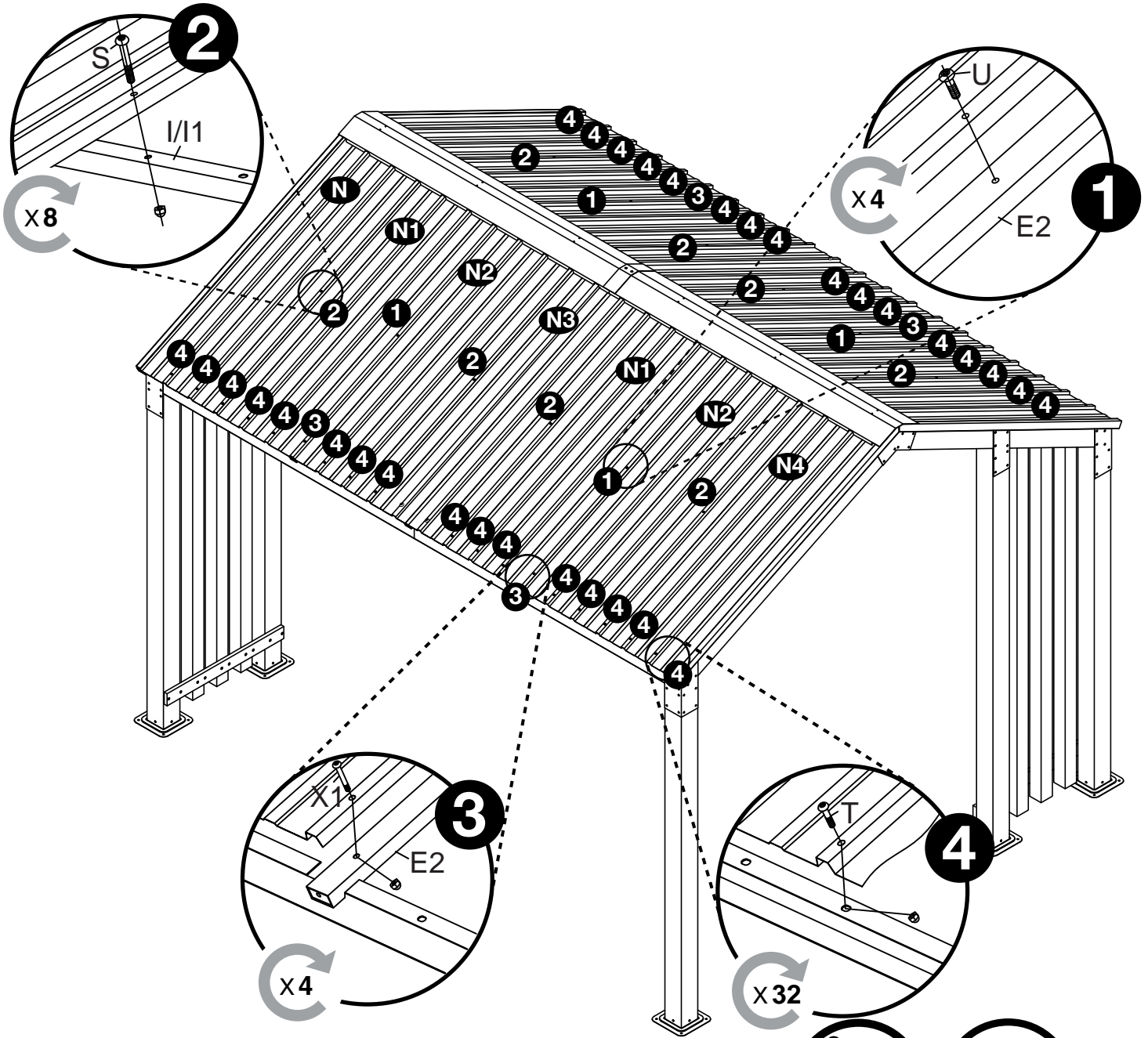


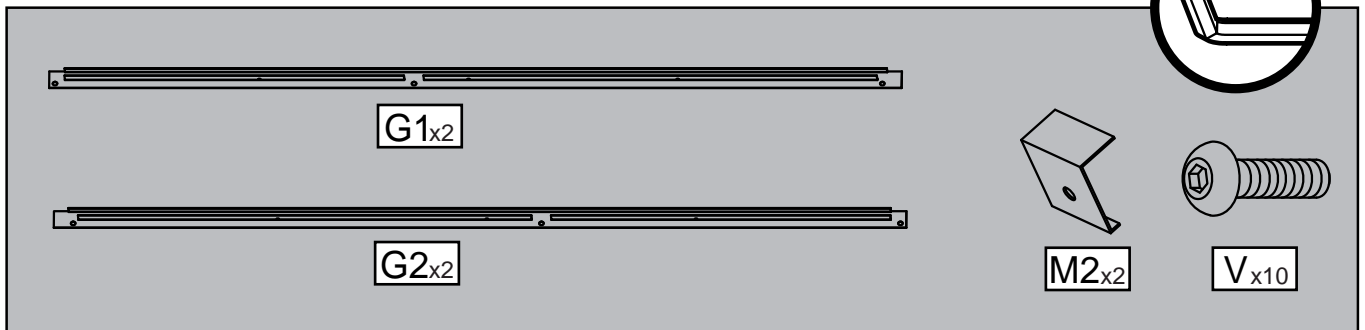
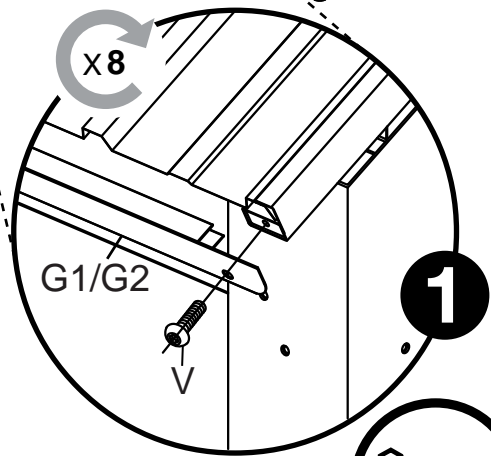
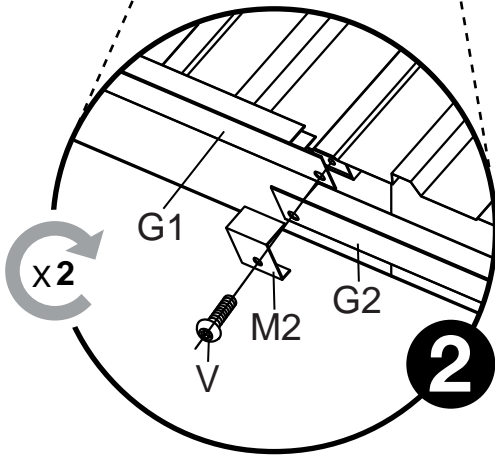
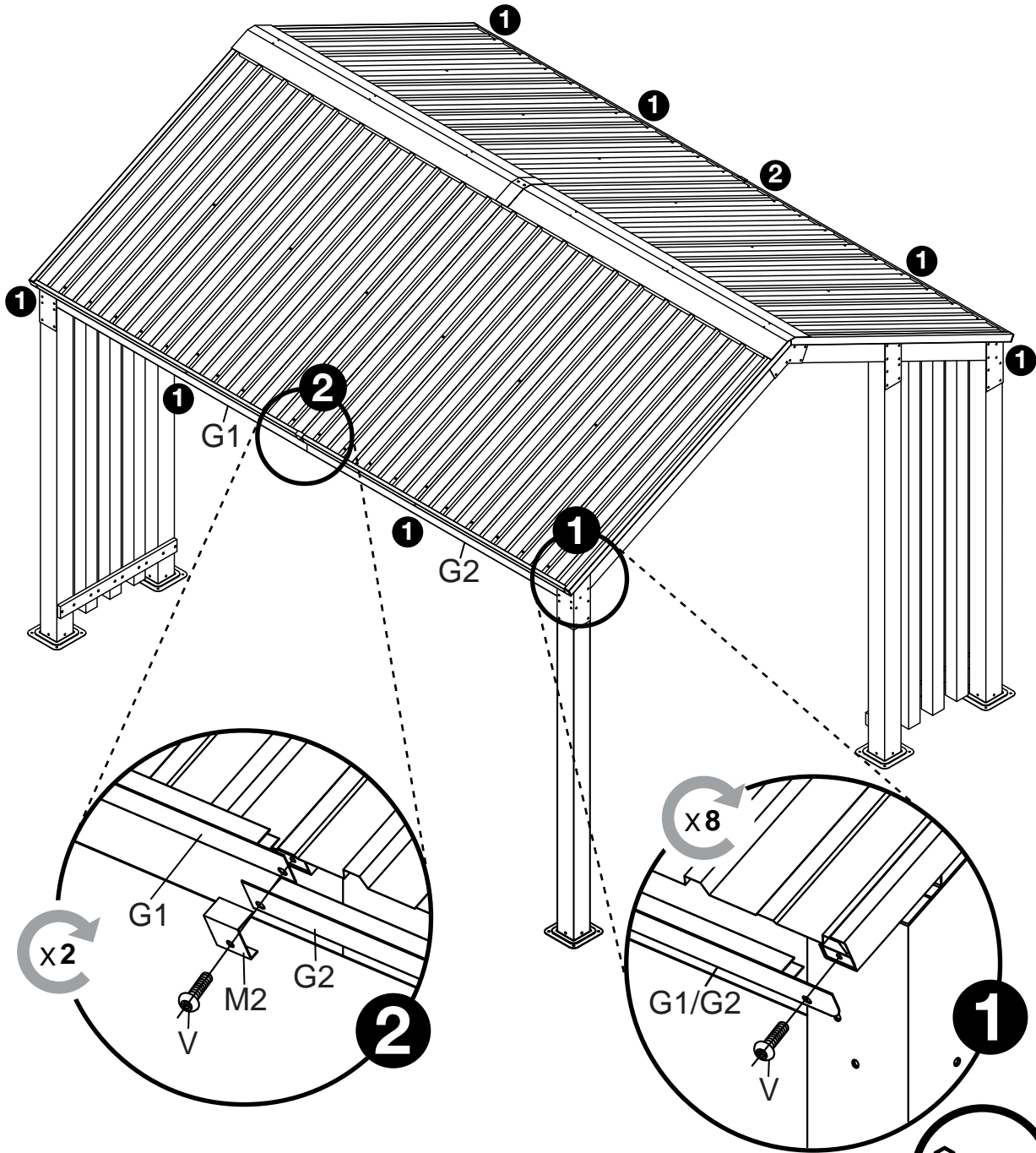


K2x1



Vx2







DISTRIBUTED BY:  
COSTCO WHOLESALE CORPORATION  
P.O. BOX 34535  
SEATTLE, WA 98124-1535  
USA  
1-800-774-2678  
WWW.COSTCO.COM

IMPORTADO POR:  
IMPORTADORA PRIMEX S.A. DE C.V.  
BLVD. MAGNOCENTRO NO. 4  
SAN FERNANDO LA HERRADURA  
HUIXQUILUCAN, ESTADO DE MÉXICO  
C.P. 52765  
RFC: IPR-930907-S70  
(55)-5246-5500  
WWW.COSTCO.COM.MX

COSTCO WHOLESALE SPAIN S.L.U.  
POLÍGONO EMPRESARIAL LOS GAVILANES  
C/ AGUSTÍN DE BETANCOURT, 17  
28906 GETAFE (MADRID) ESPAÑA  
NIF: B86509460  
900 111 155  
WWW.COSTCO.ES

COSTCO WHOLESALE ICELAND EHF.  
KAUPTÚN 3-7, 210 GARDABAER  
ICELAND  
WWW.COSTCO.IS

COSTCO WHOLESALE KOREA, LTD.  
40, ILJIK-RO  
GWANGMYEONG-SI  
GYEONGGI-DO, 14347, KOREA  
1899-9900  
WWW.COSTCO.CO.KR

COSTCO (CHINA) INVESTMENT CO., LTD.  
ROOM 01 MEZZANINE  
NO.5178, KANGXIN ROAD,  
PUDONG NEW AREA, SHANGHAI  
CHINA 201315  
+86-21-6257-7065

COSTCO WHOLESALE SWEDEN AB  
BOX 614  
114 11 STOCKHOLM  
SWEDEN  
WWW.COSTCO.SE

COSTCO WHOLESALE CANADA LTD.\*  
415 W. HUNT CLUB ROAD  
OTTAWA, ONTARIO  
K2E 1C5, CANADA  
1-800-463-3783  
WWW.COSTCO.CA

\* FAISANT AFFAIRE AU QUÉBEC SOUS  
LE NOM LES ENTREPÔTS COSTCO

COSTCO WHOLESALE UK LTD /  
COSTCO ONLINE UK LTD  
HARTSPRING LANE  
WATFORD, HERTS  
WD25 8JS  
UNITED KINGDOM  
01923 213113  
WWW.COSTCO.CO.UK

COSTCO FRANCE  
1 AVENUE DE BRÉHAT  
91140 VILLEBON-SUR-YVETTE  
FRANCE  
01 80 45 01 10  
WWW.COSTCO.FR

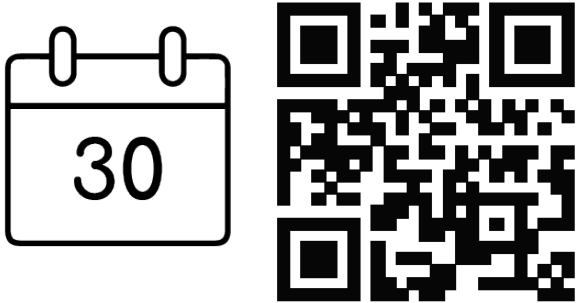
COSTCO WHOLESALE AUSTRALIA PTY LTD  
17-21 PARRAMATTA ROAD  
LIDCOMBE NSW 2141  
AUSTRALIA  
WWW.COSTCO.COM.AU

COSTCO WHOLESALE JAPAN LTD.  
2 KAKUCHI, 2 GAIKU, KANEDA-NISHI  
361 URIKURA, KISARAZU SHI  
CHIBA, 292-0007 JAPAN  
0570-200-800  
WWW.COSTCO.CO.JP

COSTCO WHOLESALE NEW ZEALAND LIMITED  
2 GUNTON DRIVE  
WESTGATE  
AUCKLAND 0814  
NEW ZEALAND  
WWW.COSTCO.CO.NZ

MADE IN CHINA  
FABRIQUÉ EN CHINE  
HECHO EN CHINA

**Register • Enregistrer • Regístrate**



**[ShelterLogic.com/product-registration](https://ShelterLogic.com/product-registration)**

**SOJAG ■ I**