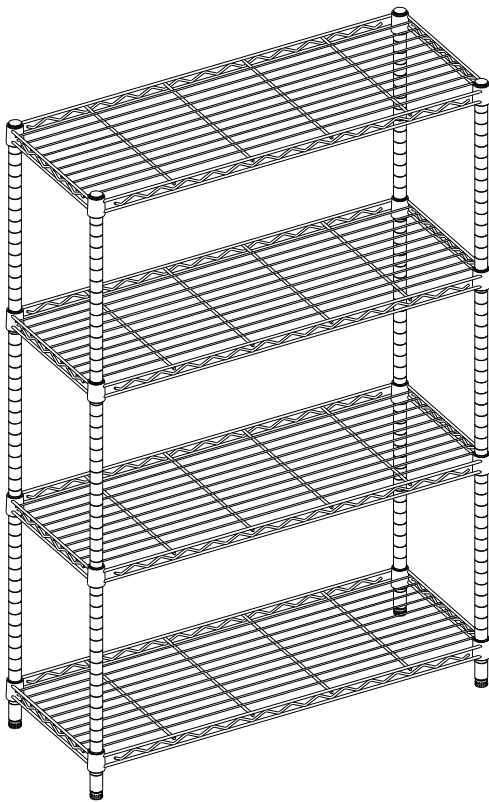




**OWNER'S MANUAL  
GUIDE DE L'UTILISATEUR  
MANUAL DEL PROPIETARIO**



**TRINITY ECOSTORAGE® 4-TIER  
NSF WIRE SHELVING RACK**

**ÉTAGÈRE NSF À TABLETTES  
GRILLAGÉES À 4 NIVEAUX  
TRINITY ECOSTORAGE®**

**TRINITY ECOSTORAGE®  
ESTANTE DE ALAMBRE DE 4  
REPISAS**

**Model / Modèle / Modelo  
CTBFZ-0946**

**IMPORTANT, RETAIN FOR FUTURE REFERENCE: READ CAREFULLY**

**IMPORTANT, CONSERVER CES DIRECTIVES AUX FINS DE  
CONSULTATION ULTÉRIEURE: LIRE ATTENTIVEMENT**

**IMPORTANTE, GUARDAR PARA FUTURA REFERENCIA:  
LEER CUIDADOSAMENTE**

---

## WARNINGS

1. **Read and understand all instructions.** Failure to follow all instructions may result in injury and / or damage.
2. **The warnings, cautions, and instructions discussed in this manual cannot cover all possible conditions or situations that may occur.** The user must always be aware of the environment and ensure to use the product in a safe and responsible manner.
3. **Do NOT modify the product in any way.** Unauthorized modification may impair the function and / or safety of the product, and may affect the life of the product.
4. **Check for damaged parts.** Before using this product, carefully check that all parts are in good condition, and that the product will operate properly and perform its intended function. Check for damaged parts and any other conditions that may affect the operation of this product. Replace damaged or worn parts, and never use this product with a damaged part.
5. **Do NOT overload the product.**

Weight capacity per Shelf on Feet Levelers (evenly distributed)	<b>158.7 kg / 350 lb</b>
Total weight capacity of Shelving Rack (evenly distributed)	<b>635 kg / 1400 lb</b>

---

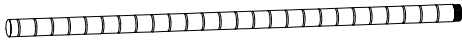
## CARE AND MAINTENANCE

- Avoid harsh, abrasive cleaners, and other corrosive chemicals.
- This item is not certified for outdoor use.

# PARTS LIST / LISTE DES PIÈCES / LISTA DE PARTES

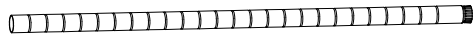
Parts included  
Pièces incluses  
Piezas incluidas

A



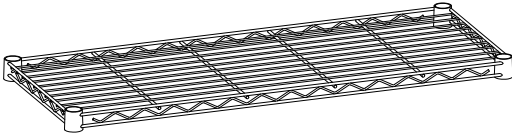
4

B



4

C



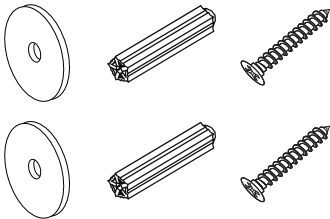
4

D



32 + 2

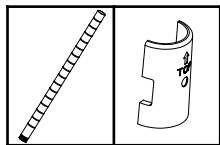
E



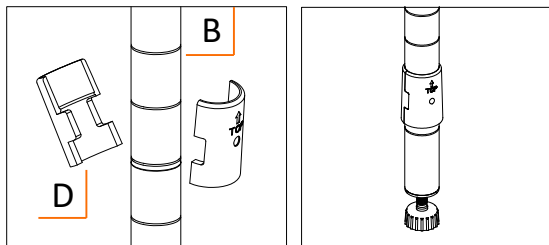
1

# ASSEMBLY INSTRUCTIONS / DIRECTIVES D'ASSEMBLAGE / INSTRUCCIONES DE ENSAMBLE

## STEP 1 ÉTAPE 1 PASO 1



B (4) D (8)

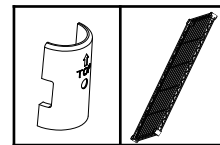


Note: For stability, the lowest SLIP SLEEVES (D) should be installed **no higher** than the 3rd indentation from the end of the BOTTOM POLES (B).

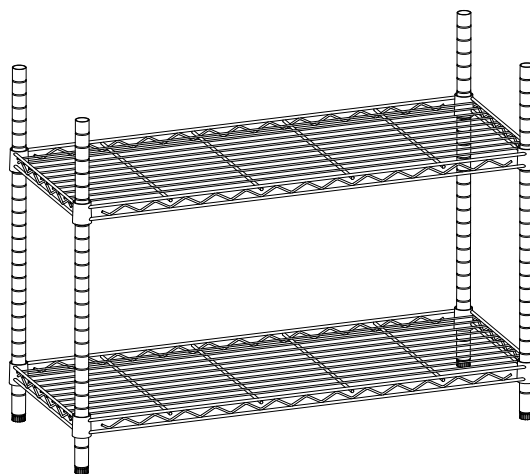
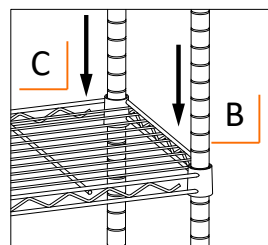
Remarque : Pour une meilleure stabilité, les MANCHONS À GLISSEMENT (D) les plus bas devraient être installés **au maximum** à la hauteur de la troisième encoche au-dessus de l'extrémité supérieure des TIGES INFÉRIEURES (B).

Nota: Para estabilidad, las MANGAS DESLIZANTES (D) deben de ser instaladas **no más arriba** de la 3ra hendidura del extremo de los POSTES INFERIORES (B).

## STEP 2 ÉTAPE 2 PASO 2



D (8) C (2)



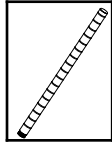
Note: The level side of the SHELF (C) is the TOP side (the TRINITY logo on the corner cylinders should be right-side up).

Remarque : Le côté plat de la TABLETTE (C) doit être orienté vers le HAUT (le logo TRINITY sur les cylindres dans les coins doit être à l'endroit).

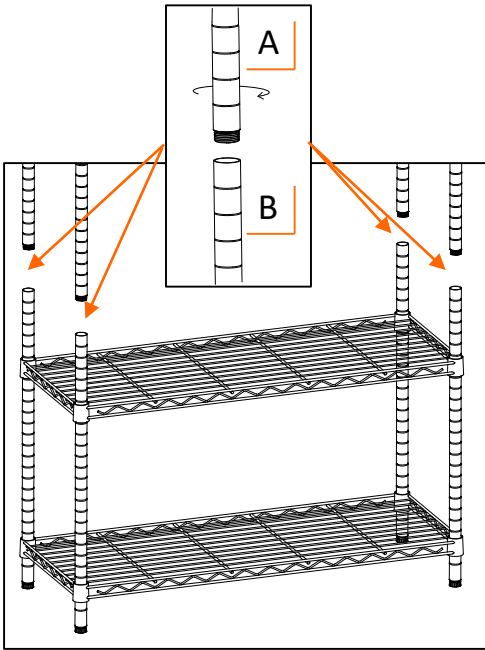
Nota: El lado nivelado de la REPISA (C) es la PARTE DE ARRIBA (el logotipo de TRINITY en los cilindros de las esquinas deben de estar hacia arriba).

# ASSEMBLY INSTRUCTIONS / DIRECTIVES D'ASSEMBLAGE / INSTRUCCIONES DE ENSAMBLE

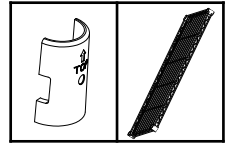
## STEP 3 ÉTAPE 3 PASO 3



A (4)

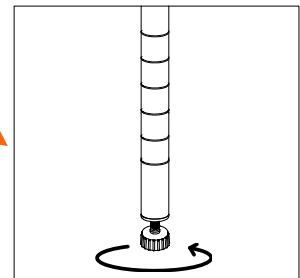
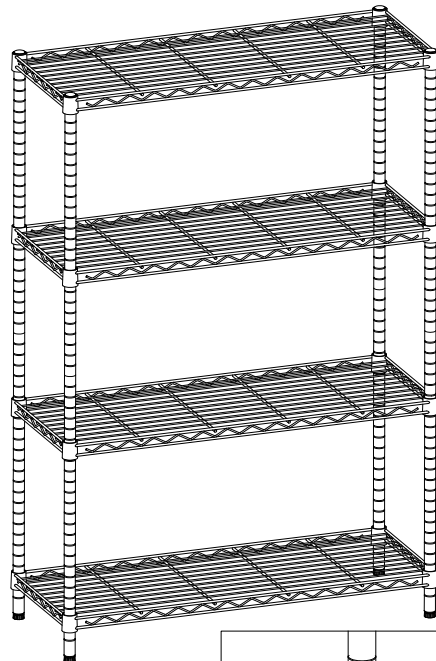
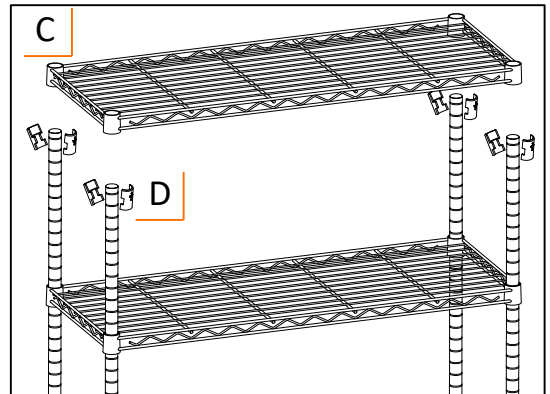


## STEP 4 ÉTAPE 4 PASO 4



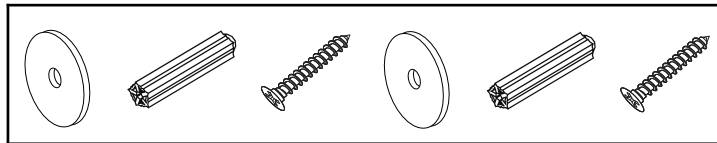
D (16)

C (2)

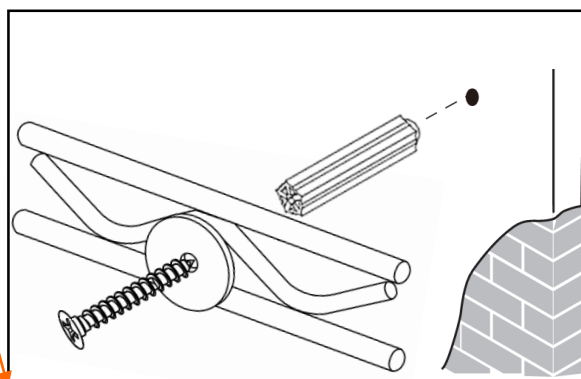
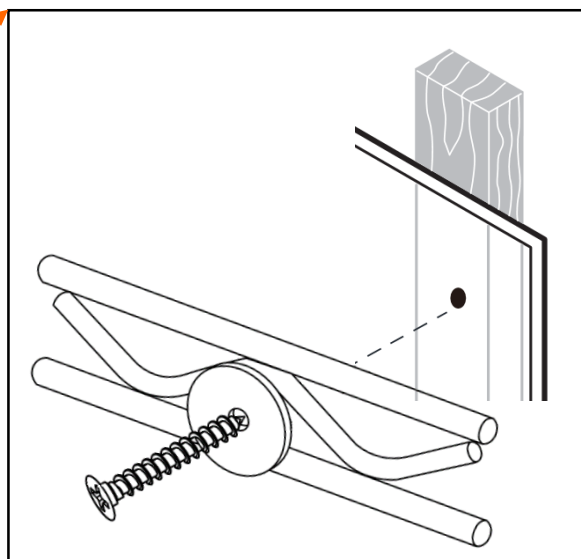
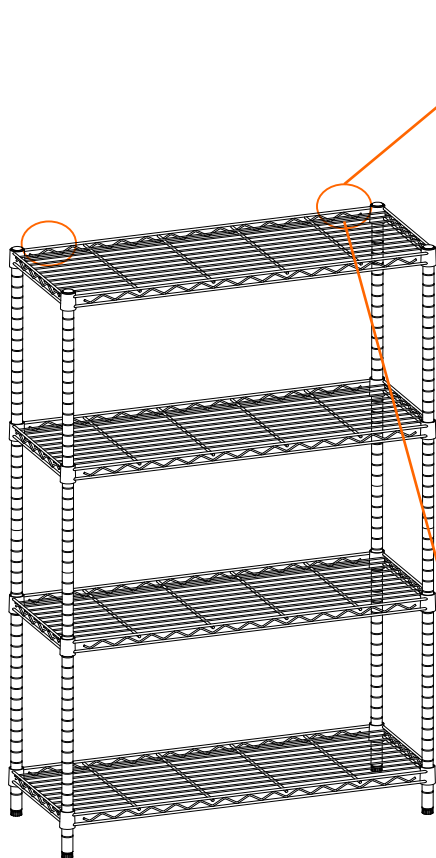


# ASSEMBLY INSTRUCTIONS / DIRECTIVES D'ASSEMBLAGE / INSTRUCCIONES DE ENSAMBLE

## STEP 5 ÉTAPE 5 PASO 5

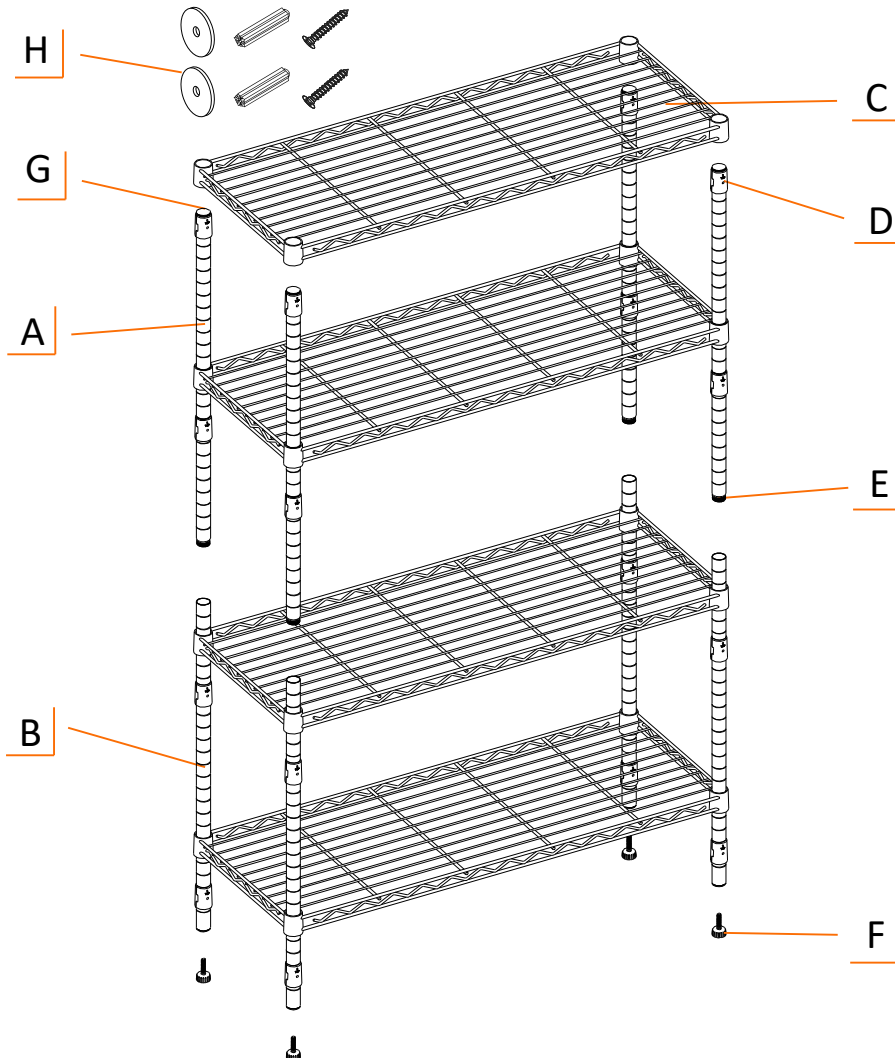


E (1)



# SERVICE PARTS LIST / LISTE DES PIÈCES DE RECHANGE / LISTA DE PARTES DE SERVICIO – CTBFZ-0946

	Part Number Numéro de produit Número de Parte		Part Number Numéro de produit Número de Parte
A.	ZSV-04-025-2650	E.	ZSV-01-029-2523
B.	ZSV-04-027-2650	F.	XBK-98-003-2538
C.	ZSV-03-060-3614	G.	XBK-23-004-2517
D.	XBK-01-011-2543	H.	ZSV-02-011-0001



# CONTACT US / NOUS JOINDRE / CONTÁCTENOS

MADE IN CHINA / FABRIQUÉ EN CHINE / HECHO EN CHINA

## TRINITY Customer Service

(available only in Canada  
and US)  
(English, French, and Spanish)

TEL: 800.985.5506  
FAX: 310.347.4134  
customerservice@trinityii.com

Monday - Friday  
8:00 AM – 5:00 PM (PST)

[www.trinityii.com](http://www.trinityii.com)

## TRINITY Service à la clientèle

(disponible seulement au Canada  
et aux É.U.)  
(anglais, français et espagnol)

TEL: 800.985.5506  
FAX: 310.347.4134  
customerservice@trinityii.com

Lundi au vendredi  
8 h à 17 h (HNP)

[www.trinityii.com](http://www.trinityii.com)

## TRINITY Atención al cliente

(disponible sólo en Canadá  
y E.U.A.)  
(inglés, francés y español)

TEL: 800.985.5506  
FAX: 310.347.4134  
customerservice@trinityii.com

Lunes a viernes  
8:00 A. M. a 5:00 P. M. (PST)

[www.trinityii.com](http://www.trinityii.com)

Distributed by:  
Costco Wholesale Corporation  
P.O. Box 34535  
Seattle, WA 98124-1535  
USA  
1-800-774-2678  
[www.costco.com](http://www.costco.com)

Imported by / Importé par :  
Costco Wholesale Canada Ltd.\*  
415 W. Hunt Club Road  
Ottawa, Ontario  
K2E 1C5, Canada  
1-800-463-3783  
[www.costco.ca](http://www.costco.ca)  
\* faisant affaire au Québec sous le nom Les Entrepôts Costco

Importado por:  
Importadora Primex S.A. de C.V.  
Blvd. Magnocentro No. 4  
San Fernando La Herradura  
Huixquilucan, Estado de México  
C.P. 52765  
RFC: IPR-930907-S70  
(55)-5246-5500  
[www.costco.com.mx](http://www.costco.com.mx)

Imported by:  
Costco Wholesale Australia Pty Ltd  
17-21 Parramatta Road  
Lidcombe NSW 2141  
Australia  
[www.costco.com.au](http://www.costco.com.au)

Imported by:  
Costco Wholesale UK Ltd /  
Costco Online UK Ltd  
Hartspring Lane  
Watford, Herts  
WD25 8JS  
United Kingdom  
01923 213113  
[www.costco.co.uk](http://www.costco.co.uk)

Importado por:  
Costco Wholesale Spain S.L.U.  
Polígono Empresarial Los Gavilanes  
C/ Agustín de Betancourt, 17  
28906 Getafe (Madrid) España  
NIF: B86509460  
900 111 155  
[www.costco.es](http://www.costco.es)

Distributed by:  
Costco Wholesale Iceland ehf.  
Kaupún 3-7, 210 Gardabaer  
Iceland  
[www.costco.is](http://www.costco.is)

Distribué par :  
Costco France  
1 avenue de Bréhat  
91140 Villebon-sur-Yvette  
France  
01 80 45 01 10  
[www.costco.fr](http://www.costco.fr)

Imported by:  
Costco Wholesale Japan Ltd.  
3-1-4 Ikegami-Shincho  
Kawasaki-ku, Kawasaki-shi,  
Kanagawa 210-0832 Japan  
044-281-2600  
[www.costco.co.jp](http://www.costco.co.jp)

Imported and Distributed by:  
Costco Wholesale Korea, Ltd.  
40, Iljik-ro  
Gwangmyeong-si  
Gyeonggi-do, 14347, Korea  
1899-9900  
[www.costco.co.kr](http://www.costco.co.kr)

Imported by / Manufactured for:  
Costco President Taiwan, Inc.  
No. 656 Chung-Hwa 5th Road  
Kaohsiung, Taiwan  
Company Tax ID: 96972798  
449-9909 or 02-449-9909 (if cellphone)  
[www.costco.com.tw](http://www.costco.com.tw)

Imported by / Distributed by:  
Costco (Shanghai) Trading Co., Ltd.  
Room 2105, No. 2299 Yanan West Road  
Changning District, Shanghai, China  
+86-21-62577065