

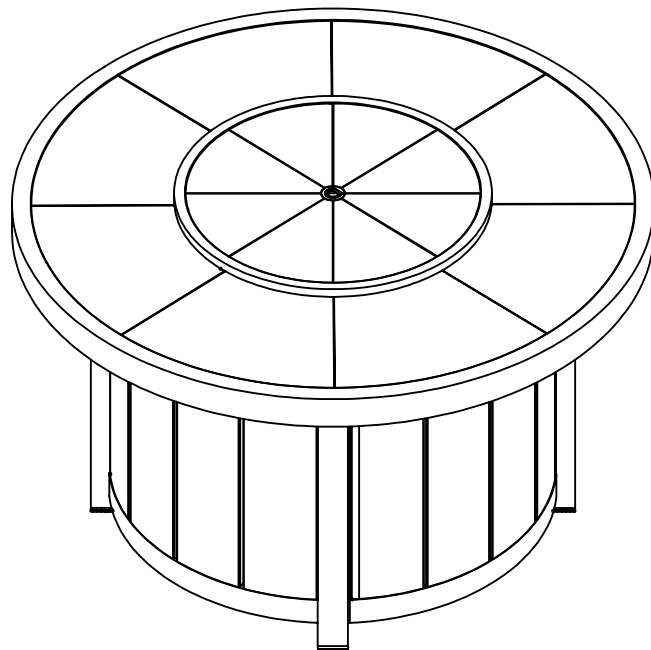


## **Owner's Manual Outdoor Gas Fire Pit**

Manufacturer: Foshan Genux Metal Products Co.,Ltd.

Add: No.11 Beiwei Rd, Xihai Industrial Zone, Beijiao Town,  
Shunde District, Foshan City, Guangdong, China

**IMPORTANT, RETAIN FOR FUTURE REFERENCE:  
READ CAREFULLY**



These instructions are only valid if the following country code is on the appliance. If this code is not present on the appliance it is necessary to refer to the technical instructions which will provide the necessary information concerning the modification of the appliance to the condition of use for the country.

**DO NOT DISCARD THIS MANUAL**

- Important operating and maintenance instructions included.
- Read, understand, and follow these instructions for safe installation and operation.

This item is intended for outdoor domestic use only. Not for commercial use.

### **HEAD OFFICE**

2800, rue Étienne-Lenoir, Laval  
Québec H7R 0A3 Canada



### **Questions, problems, missing parts?**

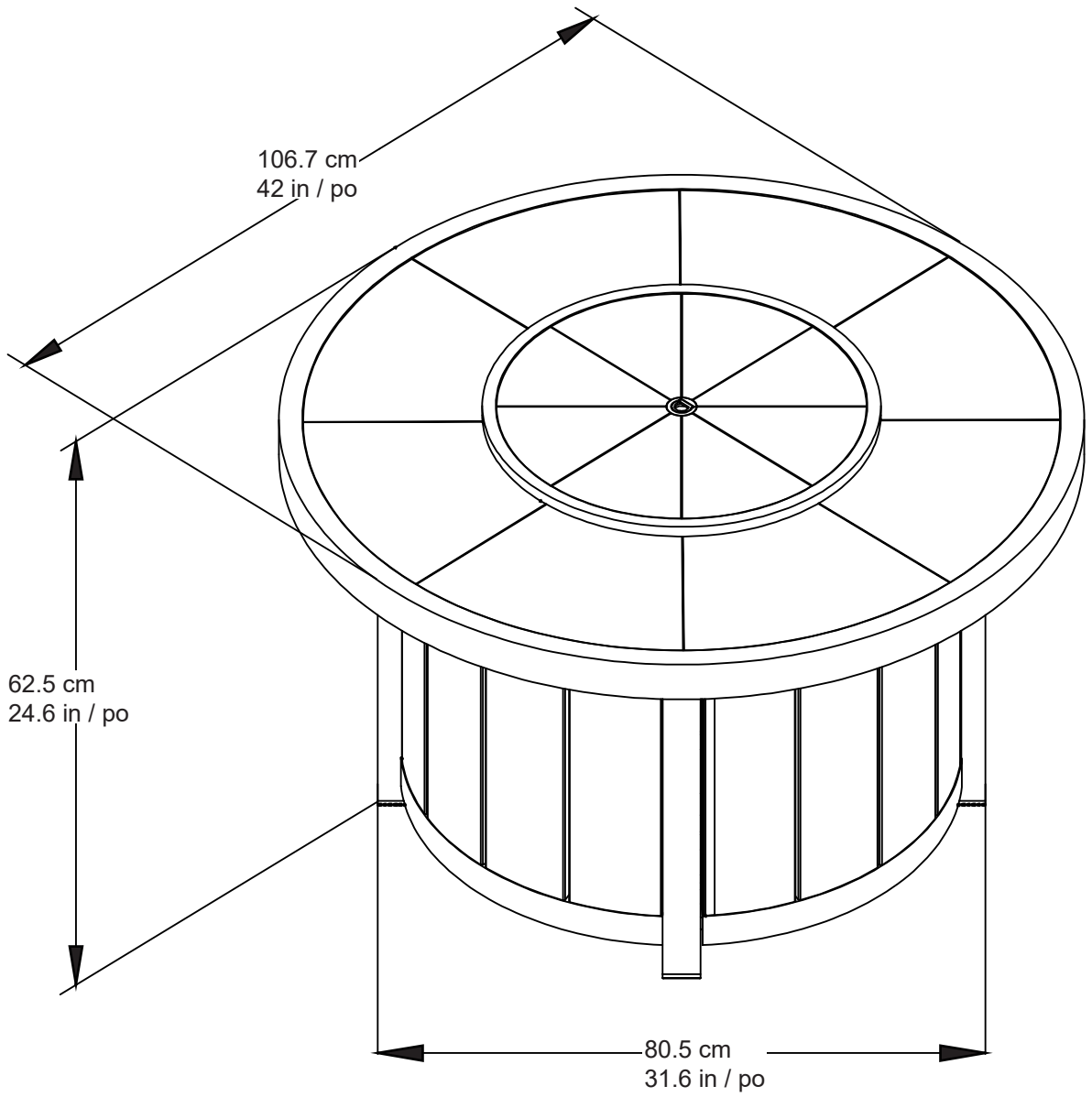
Before returning to your retailer, call our customer service department at

**1-866-839-2888**

8 a.m. - 5 p.m., EST, Monday - Friday  
(Canada and United States only)

English and French speaking representatives available

MADE IN CHINA



Please read and understand this entire manual before attempting to assemble, operate or install the product. This appliance has been tested to and complies with the (EU) 2016/426, Outdoor Decorative Gas Appliances. When connecting to a fixed piping system, the installation must conform to local codes or in the absence of local codes. This manual contains important information about the assembly, operation and maintenance of this fire pit. Keep this manual for future reference and to educate new users of this product. This manual should be read in conjunction with the labeling on the product. Safety precautions are essential when any mechanical or propane fueled equipment is involved. These precautions are necessary when using, storing, and servicing. Using this equipment with the respect and caution demanded will reduce the possibilities of personal injury or property damage. The following symbols shown below are used extensively throughout this manual. Always heed these precautions, as they are essential when using any mechanical or fueled equipment.

### **! DANGER**

If you smell gas:

- Shut off gas to the appliance.
- Extinguish any open flame.
- If odour continues, keep away from the appliance and immediately call your gas supplier or fire department.

### **! WARNING**

Do not store or use gasoline, or other flammable vapours and liquids in the vicinity of this or any other appliance. An LP-cylinder not connected for use shall not be stored in the vicinity of this or any other appliance.

### **! WARNING**

**For Outdoor Use Only.**

### **! DANGER**

#### **! DANGER**



#### **CARBON MONOXIDE HAZARD**

This appliance can produce carbon monoxide which has no odour. Using it in an enclosed space can kill you. Never use this appliance in an enclosed space such as a camper, tent or home.

### **! WARNING**

Improper installation, adjustment, alteration, service or maintenance can cause property damage, injury or death. Read the installation, operation and maintenance instructions thoroughly before installing or servicing this equipment.

**⚠ DANGER**

**DANGER** indicates an imminently hazardous situation which, if not avoided, will result in death or serious injury.

Failure to comply with the precautions and instructions provided with this fire pit can result in death, serious bodily injury and property loss or damage from hazards of fire, explosion, burn, asphyxiation, and/or carbon monoxide poisoning. Only persons who can understand and follow the instructions should use or service this fire pit.

**⚠ DANGER**

- **EXPLOSION - FIRE HAZARD**
- Keep solid combustibles, such as building materials, paper or cardboard, a safe distance away from the fire pit as recommended by the instructions.
- Provide adequate clearances around air openings into the combustion chamber.
- Never use the fire pit in spaces which do or may contain volatile or airborne combustibles, or products such as gasoline, solvents, paint thinner, dust particles or unknown chemicals
- During operation, this product can be a source of ignition. Keep fire pit area clear and free from combustible materials, gasoline, paint thinner, cleaning solvents and other flammable vapours and liquids. Do not use fire pit in areas with high dust content. Minimum fire pit clearances from combustible materials: 90 cm (3 ft) from the sides and 90 cm (3 ft) from the rear, 1.8 m (6 ft) feet from ceiling.

**⚠ WARNING**

Certain materials or items, when stored under the fire pit, will be subjected to radiant heat and could be seriously damaged.

Alert children and adults to the hazards of high surface temperatures. Stay away from these surfaces to avoid burning skin or igniting clothing.

Carefully supervise young children when in the vicinity of the fire pit.

Do not hang clothing or any other flammable materials from the fire pit, or place on or near the fire pit.

Replace any guard or protective device removed for servicing the appliance prior to placing back in service. Installation and repair should be done by a qualified service person. The fire pit should be inspected before use and annually by a qualified service person. More frequent cleaning may be required as necessary. It is imperative that the control compartment, burners, and circulating air passageway of the appliance be kept clean.

**⚠ WARNING**

- This product is fueled by propane gas. Propane gas is invisible, odourless, and flammable. An odourant is normally added to help detect leaks and can be described as a “rotten egg” smell. The odourant can fade over time so leaking gas is not always detectable by smell alone.
- Propane gas is heavier than air and leaking propane will sink to the lowest level possible. It can ignite by ignition sources including matches, lighters, sparks or open flames of any kind many feet away from the original leak. Use only propane gas set up for vapor withdrawal.
- Store or use propane gas in compliance with local ordinances and codes or with ANSI/NFPA 58. Turn off propane when not in use.

**! WARNING**

We cannot foresee every use which may be made of our fire pit.

Check with your local fire safety authority if you have questions about fire pit use.

Other standards govern the use of fuel gases and heat producing products for specific uses. Your local authorities can advise you about these.

**! DANGER**

Do not store or use gasoline or other flammable vapours and liquids in the vicinity of this or any other appliance. An LP-cylinder not connected for use shall not be stored in the vicinity of this or any other appliance.

Never leave fire pit unattended when hot or in use.

Keep out of reach of children.

**! WARNING**

Don't burner solid fuels in this appliance.

**! WARNING**

**HOT ! DO NOT TOUCH!**

**SEVERE BURNS MAY RESULT.**

**CLOTHING IGNITION MAY RESULT.**

Glass and other surfaces are hot during operation and cool-down.

**! WARNING**

Improper installation, adjustment, alteration, service or maintenance can cause property damage, injury or death. Read the installation, operation and maintenance instructions thoroughly before installing or servicing this equipment.

**! DANGER****CARBON MONOXIDE HAZARD**

This fire pit is a combustion appliance. All combustion appliances produce carbon monoxide (CO) during the combustion process. This product is designed to produce extremely minute, non-hazardous amounts of CO if used and maintained in accordance with all warnings and instructions. Do not block air flow into or out of the fire pit. Carbon Monoxide (CO) poisoning produces flu-like symptoms, watery eyes, headaches, dizziness, fatigue and possibly death. You can't see it and you can't smell it. It's an invisible killer. If these symptoms are present during operation of this product get fresh air immediately!

For outdoor use only.

Never use inside house, or other unventilated or enclosed areas.

This fire pit consumes air (oxygen). Do not use in unventilated or enclosed areas to avoid endangering your life.

**! WARNING**

Don't burn solid fuels in this appliance

## Operation Checklist

For a safe and pleasurable heating experience, perform this check before each use.

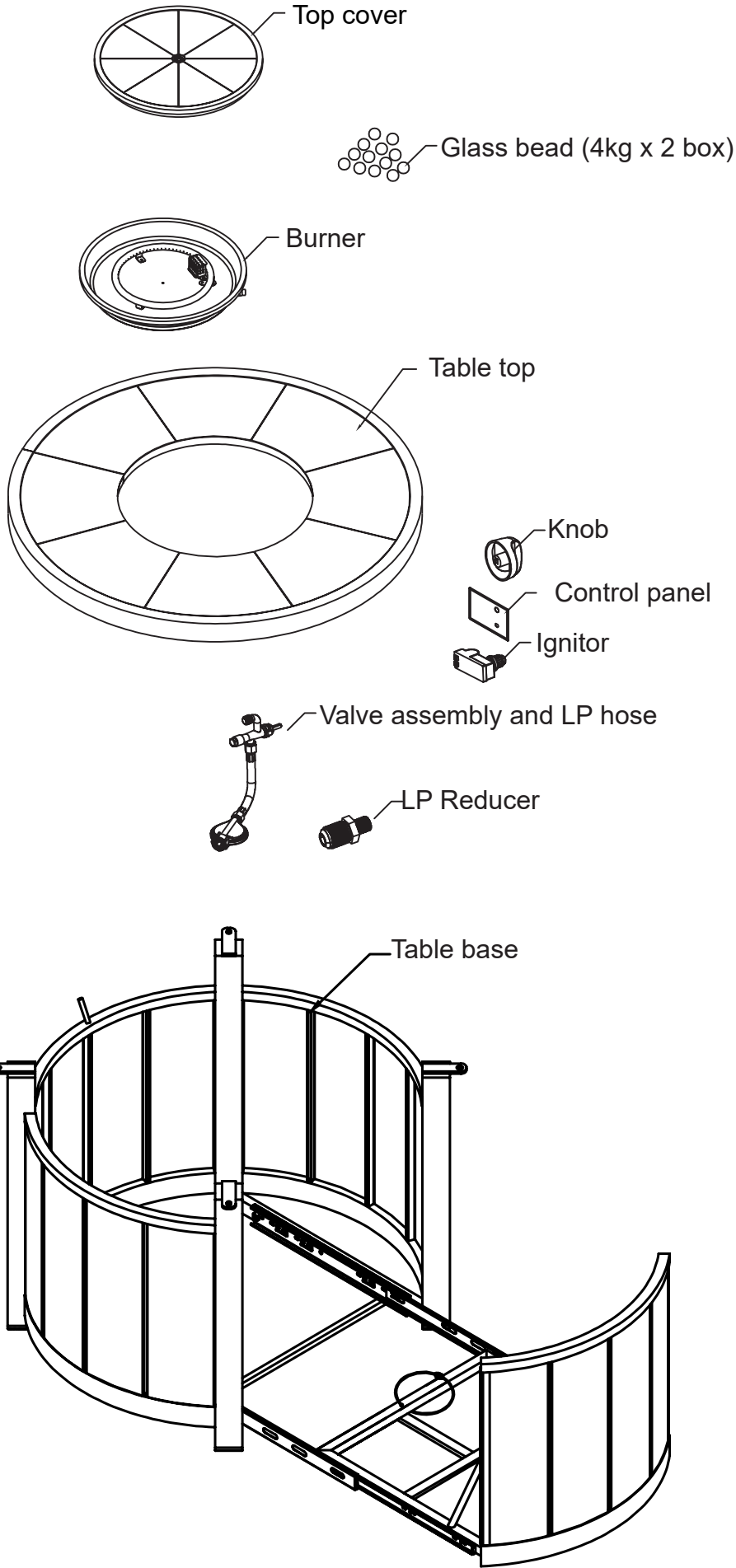
### Before Operating:

1. I am familiar with the entire owner's manual and understand all precautions noted.
2. All components are properly assembled, intact and operable.
3. No alterations have been made.
4. All gas connections are secure and do not leak.
5. Wind velocity is below 16 km/h (10 mph).
6. Unit will operate at reduced efficiency below 4.44°C /40°F
7. Fire pit is outdoors (outside any enclosure).
8. There is adequate fresh air ventilation. Do not use this appliance if any part has been under water. Immediately call a qualified service technician to inspect the appliance and to replace any part of the control system and gas control which has been under water.
9. Fire pit is away from gasoline or other flammable liquids or vapours.
10. Fire pit is away from windows, air intake openings, sprinklers and other water sources.
11. Fire pit is at least 90 cm (36 in) on rear and at least 90 cm (36 in) on sides from combustible materials.
12. Fire pit is on a hard and level surface.
13. There are no signs of spider or insect nests.
14. All burner passages are clear.
15. All air circulation passages are clear.
16. Children and adults should be alerted to the hazards of high surface temperatures and should keep away to avoid burns or clothing ignition.
17. Young children should be carefully supervised when they are in the area of the fire pit.
18. Clothing or other protective material should not be hung from the fire pit, or placed on or near fire pit.
19. Any guard or other protective device removed for servicing the fire pit must be replaced prior to operating the fire pit.
20. Installation and repair should be done by a qualified service person. The fire pit should be inspected before use and at least annually by a qualified service person.
21. More frequent cleaning may be required as necessary. It is imperative that control burner and circulating air passageways of the fire pit be kept clean.
22. Do not use this appliance if any part has been under water. Immediately call a qualified service technician to inspect the appliance and to replace any part of the control system and any gas control that has been under water.

### After Operation

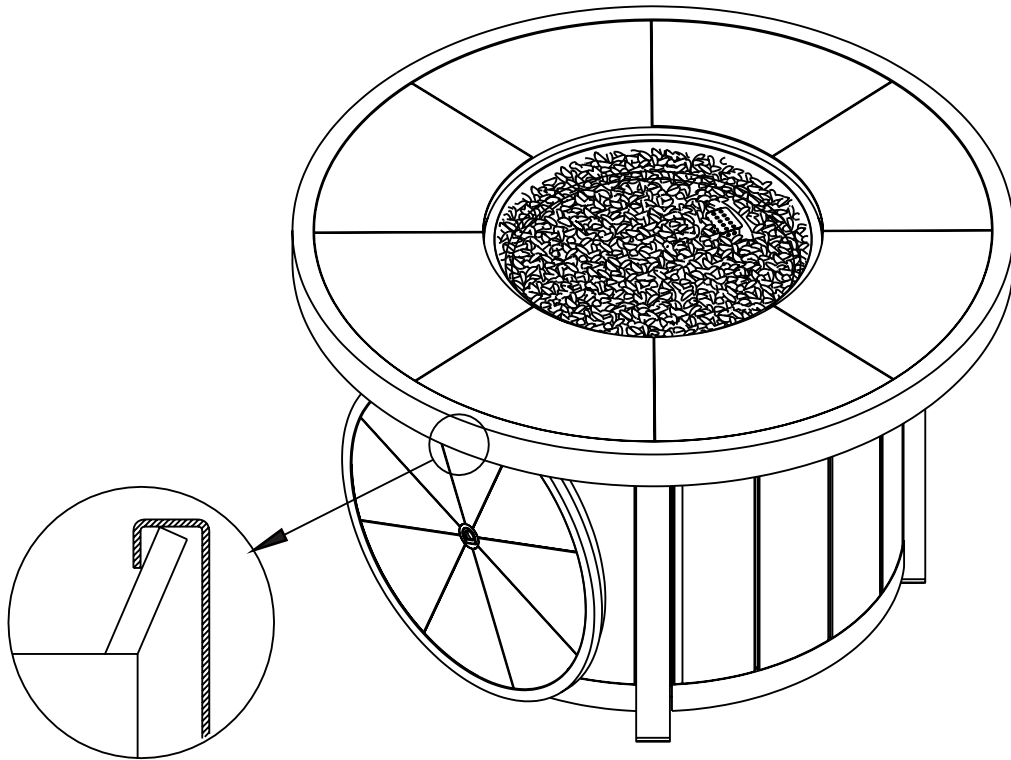
1. Gas control is in OFF position.
2. Gas tank valve is OFF.
3. LP/NG is disconnected.
4. After each use, cap on tank is replaced.

Before installation, ensure that the local distribution conditions (identification of the type of gas and pressure) and the adjustment of the appliance are compatible.



### Step 1

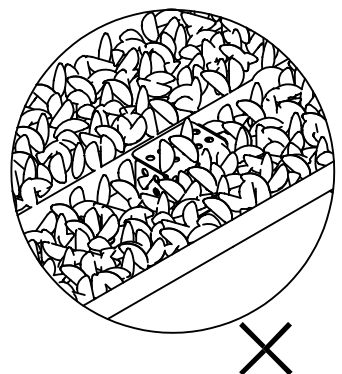
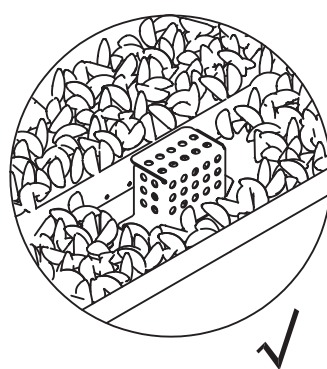
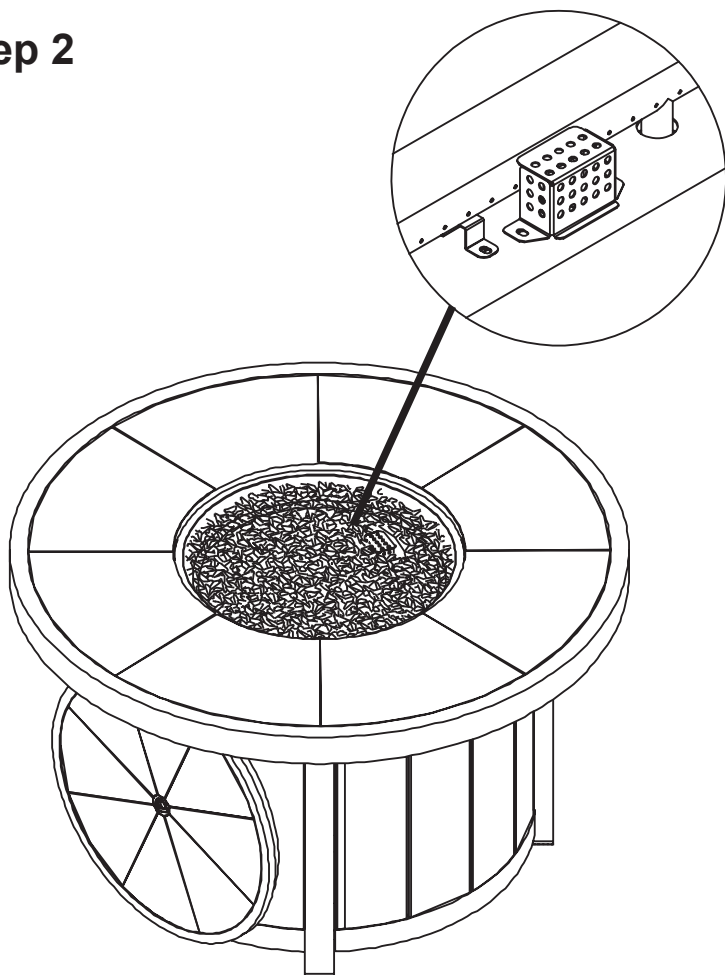
Hang the top cover on the side of the fire table.



### Step 2

Put the glass beads onto the burner.

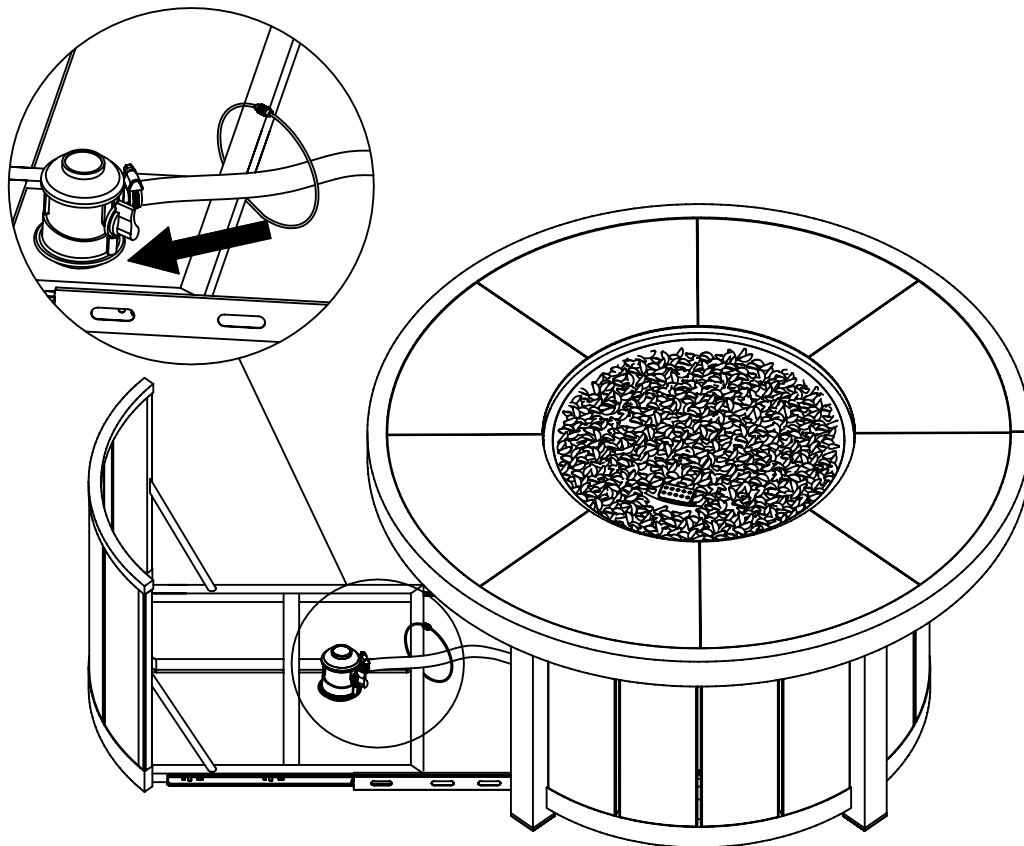
**DO NOT COVER THE WINDGUARD WITH THE BEADS.**





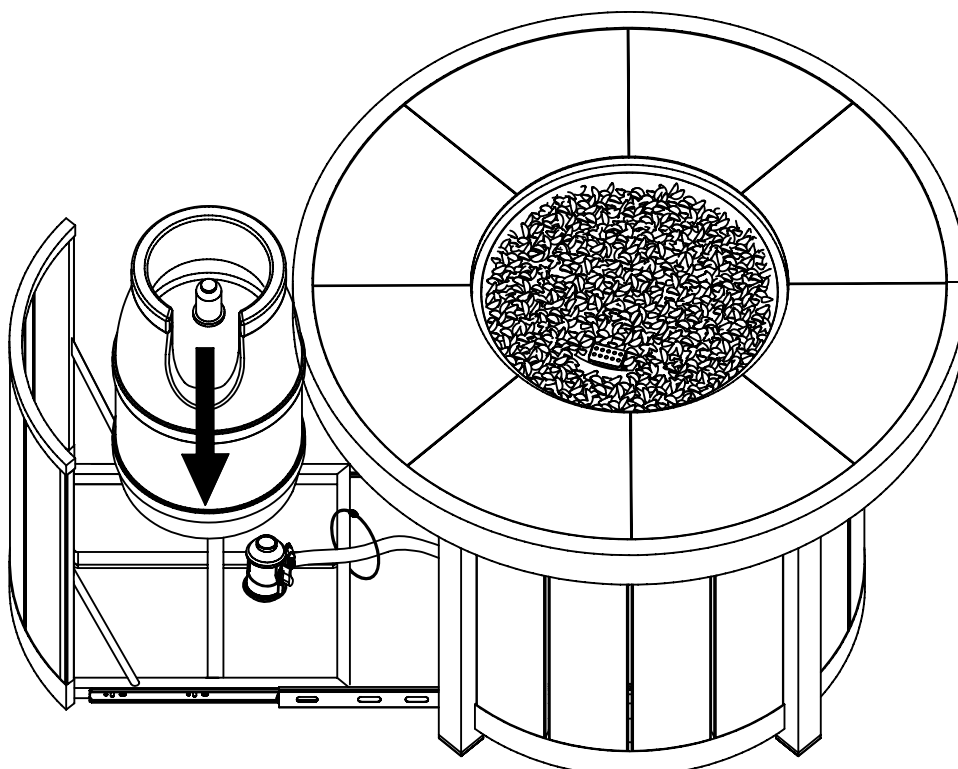
**Step 3**

**WARNING:** Regulator and hose must go through the black ring when installing the gas tank.



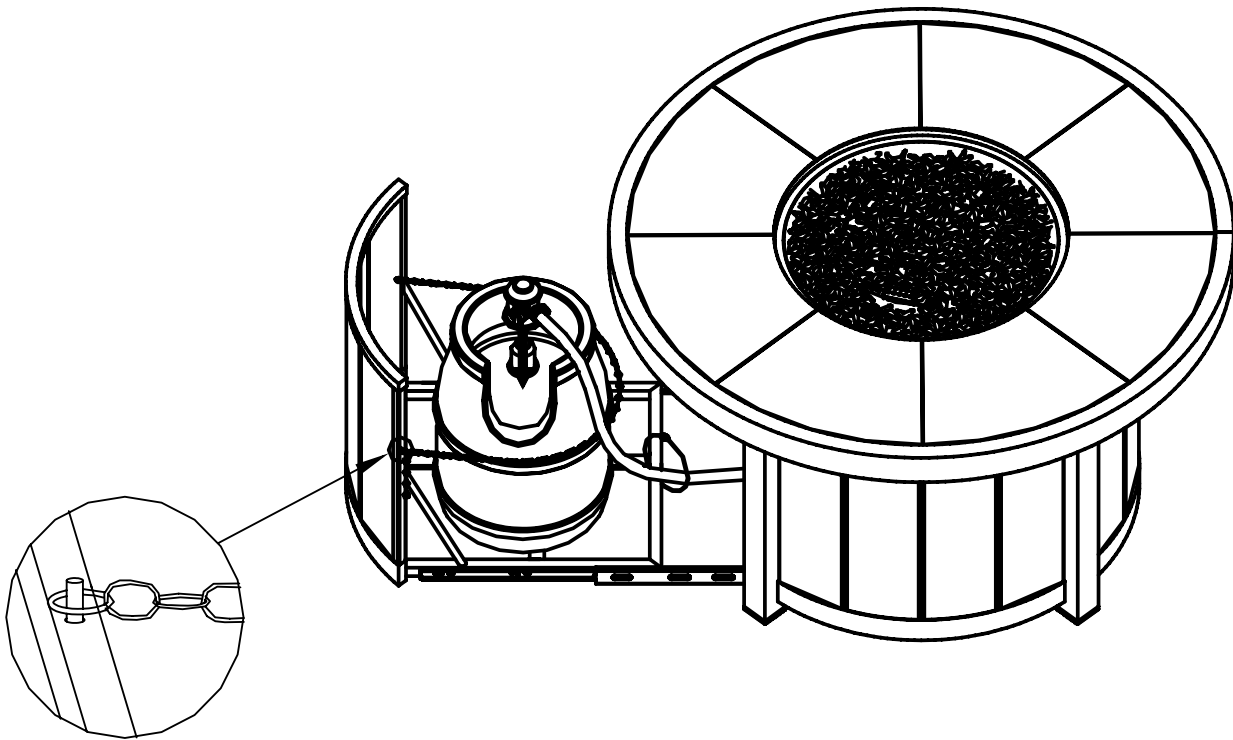
**Step 4**

Open the fire table and suitable LP gas tank size for this appliance is not bigger than 325\*500mm



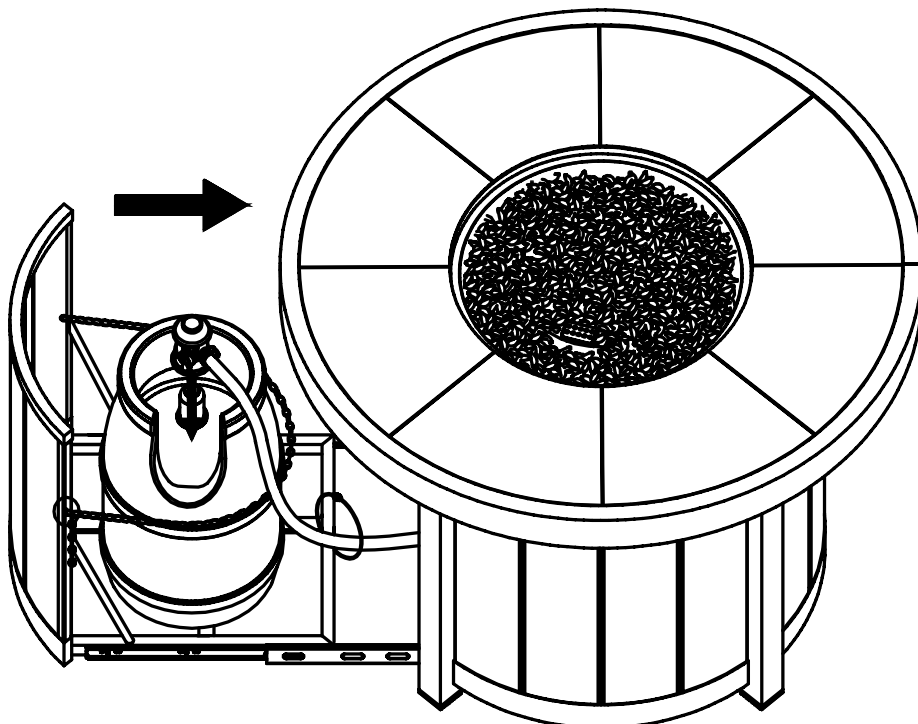
**Step 5**

Secure the gas tank to the fire table at the bottom using the bolts.  
Connect the gas to the fire table using LPG regulator.




**Step 6**

Close the fire table.



## Technical Information:

MANUFACTURER:	Foshan Genux Metal Products Co.,Ltd				 <b>2531-22</b>
APPLIANCE CODE:	G3R111S				
TOTAL HEA INPUT:	14.65KW (1066g/h)				
GAS CATEGORY:	<input checked="" type="checkbox"/> I3+(28~30/37)	<input type="checkbox"/> I3B/P(37)	<input type="checkbox"/> I3B/P(30)	<input type="checkbox"/> I3B/P(50)	
TYPES OF GAS:	Butane (G30)	Propane (G31)	G30, G31 or their mixtures		
GAS PRESSURE:	(28-30) mbar	37mbar	37mbar	(28-30) mbar	50 mbar
GRILL BURNER -INJECTOR SIZE:	1.98mm		1.91mm	1.98mm	1.75mm
P.I.N CODE:	2531CT-0117				
SERIE NO:	GX2111-04435				
I3+(28~30/37)	BE, FR, IT, LU, IE, GB, GR, PT, ES, CY, CZ, LT, SK, CH, SI, LV				
I3B/P(30)	LU, NL, DK, FI, SE, CY, CZ, EE, LT, MT, SK, SI, BG, IS, NO, TR, HR, RO, IT, HU, LV				
I3B/P(50)	AT, DE, CH, SK,LU				
I3B/P(37)	PL				

USE OUTDOORS ONLY.

WARNING: ACCESSIBLE PARTS MAY BE VERY HOT. KEEP YOUNG CHILDREN AWAY.

READ THE INSTRUCTIONS BEFORE USING THE APPLIANCE.

This appliance must be installed in accordance with the rules in force, and used only in a sufficiently ventilated space.

Consult instructions before installation and use of this appliance.

This appliance is intended for decorative purposes.

No part of the guard shall be permanently removed.

IT DOES NOT GIVE FULL PROTECTION FOR YOUNG CHILDREN, THE ELDERLY OR THE INFIRM.

WARNING: THIS APPLIANCE HAS A NAKED FLAME, A SUITABLE GUARD SHOULD BE USED FOR THE PROTECTION OF YOUNG CHILDREN, THE ELDERLY AND THE INFIRM.

## WARNING

**This conversion kit shall be installed by a qualified service agency in accordance with the manufacturer's instructions and all applicable codes and requirements of the Authority Having Jurisdiction. If the information in these instructions are not followed exactly, a fire, explosion or production of carbon monoxide may result, causing property damage, personal injury or loss of life. The qualified service agency is responsible for the proper installation of this kit. The installation is not proper and complete until the operation of the converted appliance is checked as specified in the manufacturer's instructions supplied with the kit.**

**• Connecting LP Gas Tank**

Before connecting, be sure that there is no debris caught in the head of the LP gas tank, head of the regulator valve or in the head of the burner and burner ports.

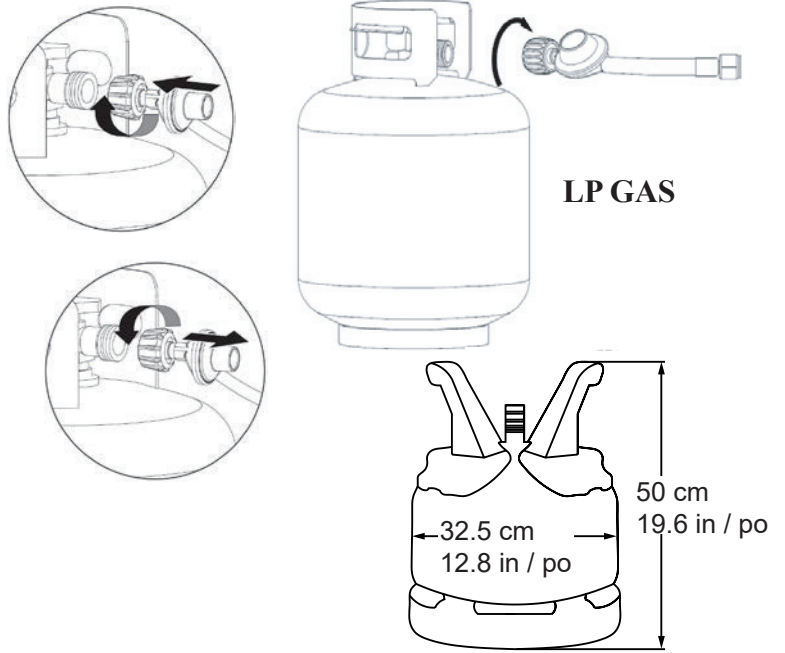
Connect regulator/hose assembly to tank by turning knob clockwise.

**• Disconnecting LP Gas Tank**

Before disconnecting make sure the LP gas tank valve is "CLOSED."

Disconnect regulator/hose assembly from LP gas tank by turning knob counterclockwise until it is loose.

Caution: LP gas tank must be properly disconnected and removed prior to moving this pit.



**Type of gas: LPG-Propane Gas**

**Suitable LP gas tank size for this appliance is not bigger than 325\*500mm.**

**Only use cylinders with a capacity of 5 kgs.**

**WARNING: Make sure LP gas tank valve is closed. Close by turning valve clockwise.**

Place the LP gas tank upright into the tank tray and secure the tank by screw.

**WARNING:** Before using this outdoor fire pit, make sure you have read, understand and are following all information provided in the Dangers and Warnings. Failure to follow those instructions can cause death, serious injury or property damage.

**⚠ WARNING** Never use your fire pit without leak testing all gas connections, hoses and propane tank.

**⚠ DANGER** To prevent fire or explosion hazard:

- DO NOT smoke or permit ignition sources in the area while conducting a leak test.
- Perform test OUTDOORS in a well-ventilated area that is protected from the wind.
- Never perform a leak test with a match or open flame.
- Never perform a leak test while the fire pit is in use or while the fire pit is still hot.

#### **WHEN TO PERFORM A LEAK TEST:**

- After assembling your fire pit and before lighting for the first time, even if purchased fully-assembled.
- Every time the LP gas cylinder is refilled, exchanged or if any of the gas components are disconnected or replaced.
- Any time your fire pit has been moved.
- At least once per year or if your fire pit has not been used for more than 60 days.

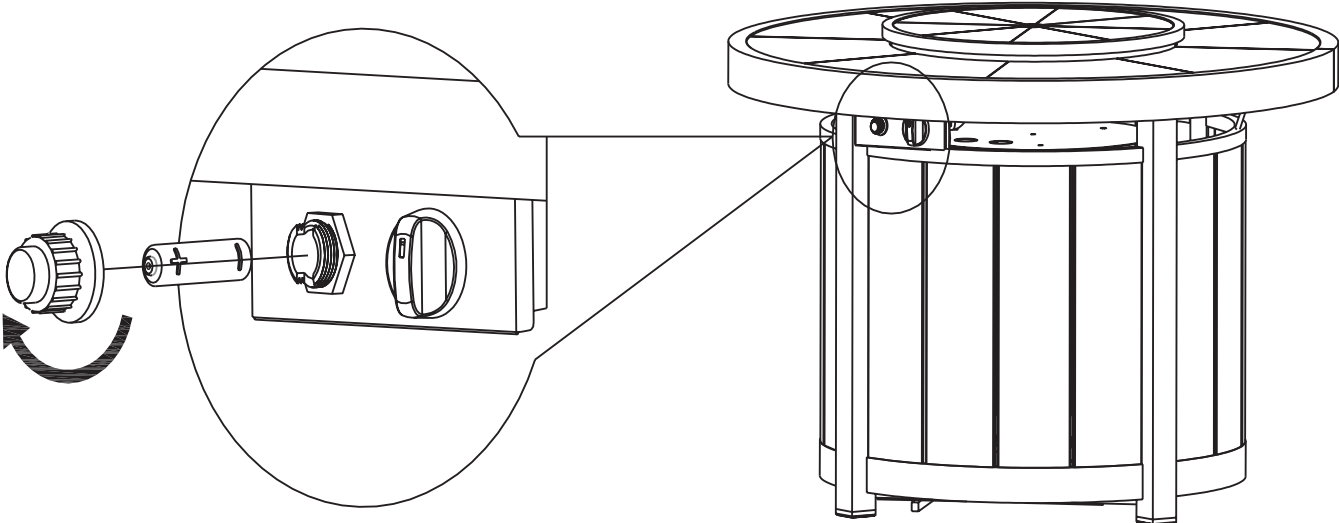
**⚠ CAUTION** Strong odours, colds, sinus congestion, etc. may prevent the detection of propane by smell. Use caution and common sense when testing for leaks.

Note: The leak test must be performed in an area that has adequate lighting in order to see if bubbles are developing and not in a windy or noisy area so larger leaks can be detected by smell or sound.

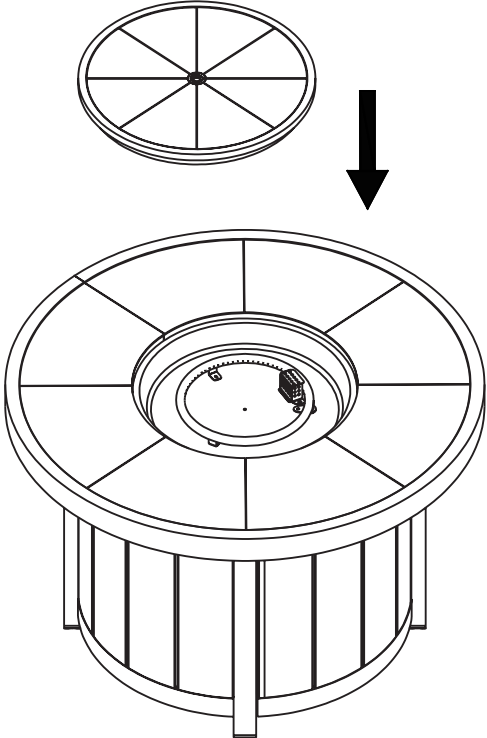
1. Create a mixture of 50% water and 50% liquid dishwashing soap.
2. Ensure all control knobs are set to the OFF position.
3. Turn on the gas at the cylinder valve. Turn the cylinder valve knob counter-clockwise until fully opened. If you hear a rushing sound or smell gas, turn the gas off. Tighten any leaking connections. If the leak is detected at connection nut and tightening does not stop leak, re-inspect propane tank rubber seal.
4. Apply the soapy water mixture to the following:

A) Supply tank (cylinder) welds	B) Connection nut to tank valve
C) Back side of connection nut to brass nipple	D) Brass nipple connection into regulator
E) Regulator connections to gas supply hoses	F) Hose connection to gas manifold
G) The full length of gas supply hose	H) Tank valve to cylinder
5. Check each place listed (A-H) for growing bubbles, which indicates a leak. Large leaks may not be detected by bubbles but should produce a rushing sound or gas smell.
6. Turn off gas supply at cylinder valve.
7. Turn on control knobs to release gas pressure in hose.
8. Turn control knobs to OFF position.
9. Tighten any leaking connections. If leak is detected at connection nut and tightening does not stop leak, re-inspect propane tank rubber seal.
10. Repeat soapy water test until no leaks are detected.
11. Turn off gas supply at cylinder valve until you are ready to use your fire pit.
12. Wash off soapy residue with cold water and towel dry.

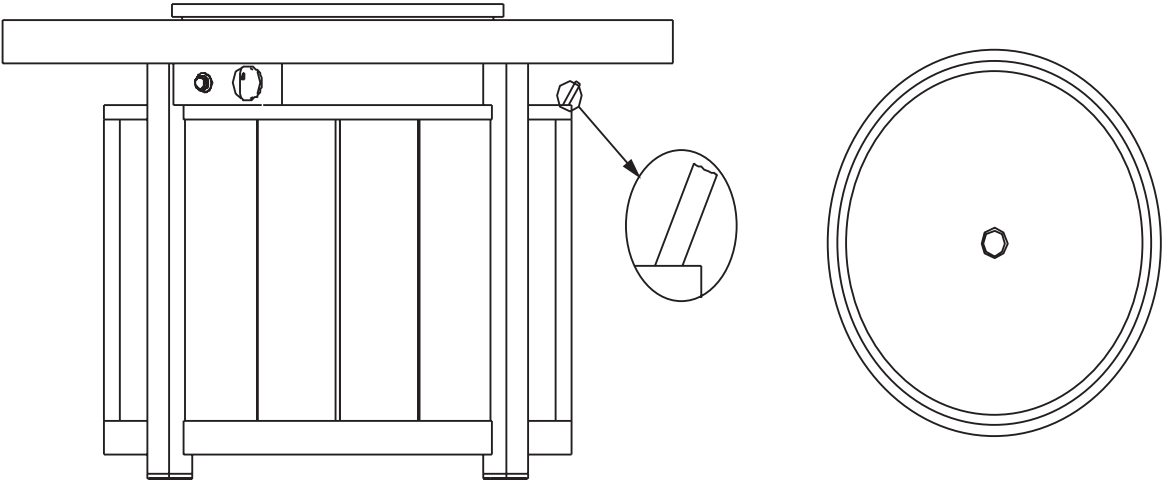
1x AAA Battery (included)



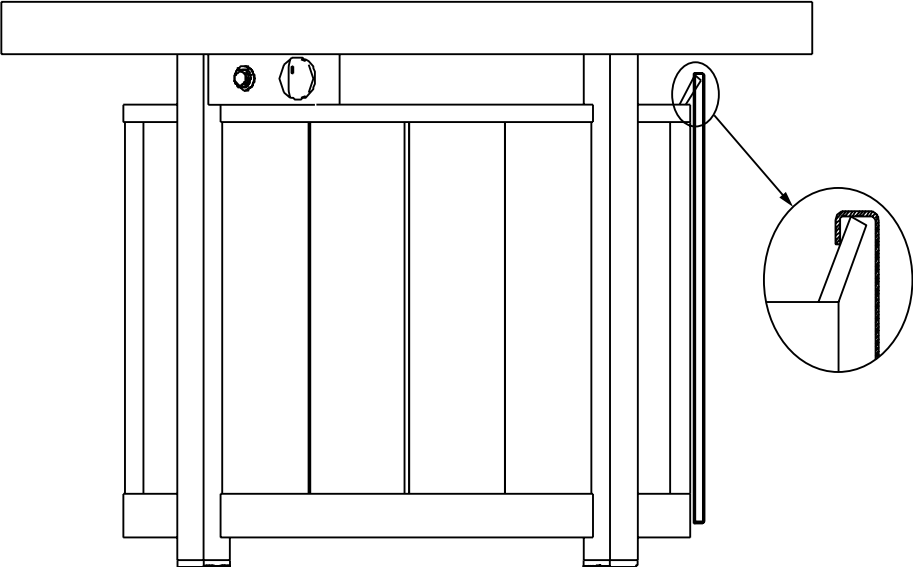
Step 1



Step 2



Step 3



**Caution:** Keep outdoor gas cooking appliance area clear and free from combustible materials, gasoline and other flammable vapours and liquids.

**Caution:** Do not obstruct the flow of combustion and ventilation air.

**Caution:** Check and clean burner/venturi tubes for insects and insect nests. A clogged tube can lead to a fire beneath the grill.

**Caution:** Attempting to light the burner with the lid closed may cause an explosion.

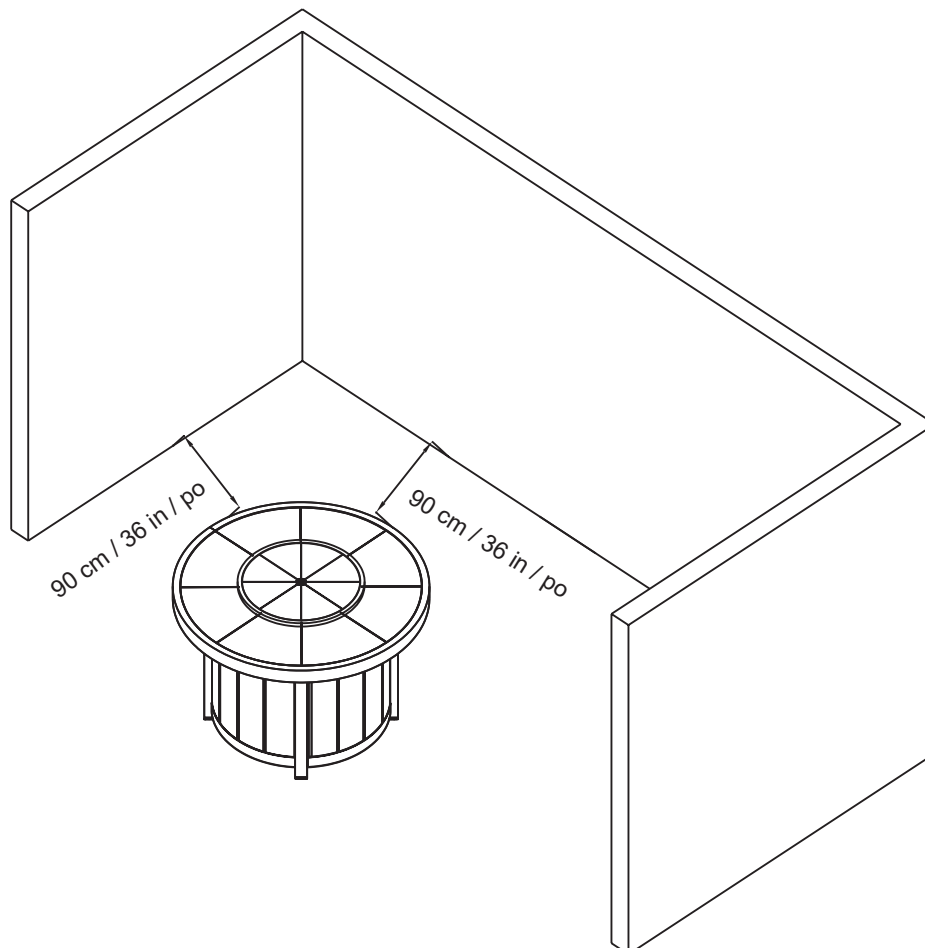
#### • Lighting

1. Read instructions before lighting.
2. Control knob must be in the OFF position.
3. Connect propane cylinder/open the gas supply line.
4. Push and turn control knob counter clockwise to LOW. Hold the knob, until just before the flames go out.
5. Press the IGNITION button and hold for up to 5 seconds to light burner.
6. Release control knob after 45 seconds.
7. If ignition does not occur in 45 seconds, push and turn burner control knob to OFF, wait 5 minutes, and repeat lighting procedure.
8. If igniter does not light the burner, use a long match or long butane lighter.
9. Adjust to desired flame level with the control knob.

Minimum clearance: Top: 1.8 m (6 ft /72 in) sides: 90 cm (3 ft /36 in)

Minimum clearance from sides and back of unit to adjacent combustible construction below top of unit, 90 cm (36 in) from sides, 90 cm (36 in) from back.

**CAUTION:** 5 kg (11 lb) LP cylinder only





PROBLEM	POSSIBLE CAUSE	CORRECTIVE ACTION
Burner won't light	Propane cylinder is empty	Replace propane cylinder
	Blockage in orifice	Clear blockage
	Control knob is not in ON position	Turn control knob to ON
Burner flame is low	Gas pressure is low	Turn cylinder valve OFF and fill the cylinder
	Outdoor temperature is less than 4.4 °C/40 °F and tank is less than 1/4 full	Use a full cylinder
	Control knob fully ON	Check burner and orifices for blockage
Carbon build-up	Dirt or film on reflector and burner screen	Clean reflector and burner screen
Thick black smoke	Blockage in burner	Remove blockage and clean burner inside and outside

**CAUTION:** All cleaning and maintenance should be done when fire pit is cool and with the fuel supply disconnected.

1. DO NOT clean any outdoor fire pit part in a self cleaning oven. The extreme heat will damage the finish.
2. Do not enlarge valve orifices or burner ports when cleaning the valves or burners.

## Notices

1. This outdoor fire pit should be thoroughly cleaned and inspected on a regular basis.
2. Abrasive cleaners will damage this product.
3. Never use oven cleaner to clean any part of outdoor fireplace.

## Before Each Use

1. Keep the outdoor fire pit area clean and free from any combustible materials, gasoline, and other flammable vapours and liquids.
2. Do not obstruct the flow of the combustion of LP and the ventilation air.
3. Keep the ventilation opening of the LP gas tank area free and clear from debris.
4. Visually check the burner flames to make sure your outdoor fire pit is working properly.
5. See sections below for proper cleaning instructions.
6. Check all gas connections for leaks.
7. Check components for any signs of damage or rust.
8. Check and clean the burner/venturi tubes for insects and insect nests. A clogged tube can lead to a fire beneath the outdoor fire pit.
9. If damage to any component is detected, do NOT operate until repairs are executed.

## Cleaning Surfaces

1. Wipe surfaces clean with mild dishwashing detergent or baking soda mixed with water.
2. For stubborn surfaces use a citrus based degreaser and a nylon scrubbing brush.
3. Rinse clean with water.
4. Allow to air dry.

## Storage

Between uses:

- Turn control knob OFF.
- Disconnect LP source.
- Store fire pit upright in an area sheltered from direct contact with inclement weather (such as rain, sleet, hail, snow, dust and debris).
- If desired, cover fire pit to protect exterior surfaces and to help prevent build-up in air passages.

**Note: Wait until fire pit is cool before covering.**

## During periods of extended inactivity or when transporting:

- Turn Control Knob OFF.
- Disconnect LP source and move to a secure, well-ventilated location outdoors.
- Store fire pit upright in an area sheltered from direct contact with inclement weather (such as rain, sleet, hail, snow, dust and debris).
- If desired, cover fire pit to protect exterior surfaces and to help prevent build-up in air passages. Never leave LP cylinder exposed to direct sunlight or excessive heat.

**Note: Wait until fire pit is cool before covering.**

Before each use of appliance, inspect the hose and make sure to properly locate the gas. Always inspect the hose for evidence of excessive abrasion, cuts or wear prior to use, and make sure to leak test. The hose assembly must be replaced prior to the appliance being put into operation if there is evidence of excessive abrasion or wear or if the hose is damaged. The replacement hose assembly shall be that specified by the manufacturer.

**CARE AND MAINTENANCE / ENTRETIEN ET MAINTENANCE / CUIDADO Y MANTENIMIENTO****FOR OUTDOOR DOMESTIC USE ONLY.**

**MAINTENANCE** - Store in a dry area out of the elements, or cover with furniture covers when not in use.

**CUSHIONS: CLEANING** - Wipe up minor spills with a mild soap and damp cloth.

**TABLETOP: CLEANING** - Use mild soap and water. Do not use abrasive materials or cleansers.

**STONE OR CERAMIC TOPS** - Don't use harsh abrasive cleansers on any of these products. For daily maintenance, use a wet cloth and a soft liquid cleaner.

**WICKER: CLEANING** - UV protected synthetic wicker allows color retention after hours of outdoor use. Hose off outdoors for easy cleaning. Wipe up minor spills with a mild soap and damp cloth.

**GLASS TABLE TOPS: CLEANING** - Use mild soap and water or glass cleansers. Do not use abrasive materials or cleansers.

**POUR USAGE DOMESTIQUE SEULEMENT.**

**ENTRETIEN** - Entreposer dans un endroit sec à l'abri des éléments ou couvrir à l'aide d'une housse lorsque le produit n'est pas utilisé.

**COUSSINS : NETTOYAGE** - Essuyez les dégâts mineurs à l'aide d'un linge humide et d'un savon doux.

**DESSUS DE TABLES: NETTOYAGE** - Utiliser de l'eau et un savon doux. Ne pas utiliser de matériaux abrasifs.

**DESSUS DE TABLES EN PIERRE OU EN CÉRAMIQUE** - Ne pas utiliser de nettoyeurs abrasifs sur aucun de ces produits. Pour l'entretien quotidien, utiliser un chiffon humide et un nettoyeur liquide doux.

**OSIER : NETTOYAGE** - La protection UV de l'osier synthétique lui permet de garder sa couleur après des heures d'usage extérieur.

**DESSUS DE TABLES EN VERRE :**  
**NETTOYAGE** - Utiliser de l'eau et un savon doux ou des nettoyeurs à vitre. Ne pas utiliser de matériaux abrasifs.

**SÓLO PARA USO DOMÉSTICO.**

**MANTENIMIENTO** - Guarde en un lugar seco alejado de la intemperie, o cúbralo con fundas protectoras para muebles cuando no está en uso.

**COJINES: LIMPIEZA** - Haga las limpiezas menores con un paño húmedo y un jabón suave.

**MESA: LIMPIEZA** - Utilice un jabón suave y agua. No utilice materiales ni limpiadores abrasivos.

**MESAS EN PIEDRA O DE CERÁMICA** - No utilice los limpiadores abrasivos ásperos en ninguno de estos productos. Para mantenimiento diario, utilice un paño húmedo y un limpiador líquido suave.

**MIMBRE: LIMPIEZA** - La protección UV del mimbre sintético le permite conservar su color después de muchas horas de uso al exterior. Lávelo al exterior con una manguera para facilitar la limpieza. Utilice un jabón suave y un paño húmedo.

**MESA DE VIDRIO: LIMPIEZA** - Utilice un jabón suave y agua o limpiadores de vidrio. No utilice materiales ni limpiadores abrasivos.

**CONSUMER RESPONSIBILITIES**

The DISTRIBUTOR's products will remain beautiful for many years if you properly care for them.

The DISTRIBUTOR does not recommend the use of harsh abrasive cleansers on any of its products. Harsh cleansers will damage the finish of your product.

**MAINTENANCE**

- ▶ For daily maintenance, use a wet cloth and a soft liquid cleaner.
- ▶ Never use abrasive cleaners or strong bleach, scrapers, metallic brushes, or other objects or any products which can graze or tarnish surfaces.

**LIMITED 1 YEAR WARRANTY**

This warranty extends only to the original owner user for personal household use only. For commercial uses, additional limitations may apply.

- The DISTRIBUTOR warrants your satisfaction with each product. Should any product not meet your satisfaction due to a visual defect, simply return it to your retailer with the original packaging, PRIOR TO INSTALLATION, for a replacement.
- The DISTRIBUTOR warrants, products to be free from defects in workmanship and materials under normal use and service for a period of one (1) year.
- The DISTRIBUTOR will, at its election, repair, replace, or make appropriate adjustment where the DISTRIBUTOR optional inspection discloses any such defects occurring in normal usage within the warranty periods.
- Please note that the DISTRIBUTOR is not responsible for installation or removal costs.
- Modification of any product's components may void the warranty. This warranty does not cover any claim arising from abuse, misuse, negligence, accident, improper installation or operation on the part of the purchaser. This warranty is void if the DISTRIBUTOR's product is subject to alterations, or if repairs were done to the product.
- This warranty does not extend to any components installed by dealers, installers or by any party other than the DISTRIBUTOR.
- Implied warranties, including that of merchantability or fitness for a particular purpose, are expressly limited in duration to the duration of this warranty.
- The DISTRIBUTOR disclaims any liability for special, incidental or consequential damages.

**THE SOLE REMEDY PROVIDED BY THIS WARRANTY IS THE REPAIR OR REPLACEMENT OF DEFECTIVE PRODUCTS.**

**THIS WARRANTY DOES NOT COVER THE COST OF REMOVAL OR INSTALLATION OF NEW PRODUCTS. THE WARRANTY WILL BE VOID IF THIS ITEM IS INSTALLED WITH OBVIOUS VISUAL DEFECTS.**

**RESPONSABILITÉS DU CLIENT**

Les produits du DISTRIBUTEUR garderont leur belle apparence pendant de nombreuses années si l'entretien est approprié

Le DISTRIBUTEUR ne recommande pas l'utilisation de nettoyeurs abrasifs sur aucun de ses produits. Les nettoyeurs abrasifs endommagent le fini de votre produit.

**ENTRETIEN**

- ▶ Pour l'entretien journalier, utiliser un chiffon humide et un détergent liquide doux.
- ▶ Ne jamais utiliser des nettoyeurs abrasifs contenant de l'acétone, du chlore ou de l'eau de javel, grattoirs, brosses métalliques, ni autres objets ou produits pouvant égratigner ou ternir les surfaces.

**GARANTIE LIMITÉE DE 1 AN**

Cette garantie s'applique uniquement au propriétaire/utilisateur d'origine à des fins domestiques seulement. L'utilisation à des fins commerciales peut affecter les limites de la garantie.

- Le DISTRIBUTEUR garantit votre satisfaction avec chacun de vos produits. Si un produit n'est pas satisfaisant à cause d'un défaut visuel apparent, veuillez simplement le retourner dans son emballage d'origine chez votre détaillant, AVANT L'INSTALLATION, pour un échange.
- Le DISTRIBUTEUR garantit la fabrication et les matériaux de ses produits dans des conditions normales d'utilisation et d'entretien pendant une période de UN (1) an à compter de la date d'achat.
- Le DISTRIBUTEUR réparera, remplacera ou effectuera les corrections nécessaires, à son choix, après inspection facultative de sa part, de toute défectuosité survenant dans des conditions normales d'utilisation durant les périodes de garantie.
- Veuillez prendre note que le DISTRIBUTEUR n'est pas responsable des frais d'installation ou de retrait.
- Toute modification de toute composante du produit peut entraîner l'annulation de la garantie. Cette garantie est nulle si le produit du DISTRIBUTEUR a été altéré ou si des réparations y ont été effectuées. La garantie n'inclut pas les réclamations résultant d'abus, d'utilisation inadéquate, de négligence, d'accident, d'installation ou de manœuvre inadéquate de la part de l'acheteur.
- Cette garantie n'inclut pas les composantes installées par le détaillant, l'installateur ou par tout autre parties que le DISTRIBUTEUR.
- Les garanties tacites, incluant la qualité marchande ou l'utilisation pour un usage particulier, sont expressément limitées à la durée de cette garantie.
- Le DISTRIBUTEUR décline toute responsabilité pour dommage particulier, accidentel ou indirect.

**LA SEULE SOLUTION FOURNIE PAR CETTE GARANTIE EST LA RÉPARATION OU LE REMPLACEMENT DES PRODUITS DÉFECTUEUX.**

**CETTE GARANTIE NE COUVRE PAS LE COÛT DE LA POSE OU DU DÉMONTAGE DU NOUVEAU PRODUIT.**

**GARANTIA NO VALIDA EN MÉXICO, CONSULTE LAS POLITICAS DE DEVOLUCIÓN EN SU ESTABLECIMIENTO****RESPONSABILIDADES DEL CONSUMIDOR**

Los productos del DISTRIBUIDOR permanecerán hermosos durante muchos años si los cuida correctamente.

El DISTRIBUIDOR no recomienda el uso de limpiadores abrasivos ásperos en ninguno de sus productos. Los limpiadores ásperos dañarán acabado de su productos.

**MANTENIMIENTO**

- ▶ Para mantenimiento diario, utilice un paño húmedo y un limpiador líquido suave.
- ▶ Nunca utilice abrasivos o limpiadores que contenga acetona, cloro o blanqueadores fuertes, espátulas o cepillos de cerdas metálicas, ni objetos o productos que puedan raspar o deslucir las superficies.

**GARANTÍA LIMITADA DE 1 AÑO**

Esta garantía se aplica únicamente al propietario/usuario original para fines domésticos solamente. Para usos comerciales algunas limitaciones adicionales pueden aplicarse.

- El DISTRIBUIDOR garantiza su satisfacción con cada producto. Si cualquier producto no es satisfactoria debido a un defecto visual, sólo tiene que devolverlo en su empaque original a su vendedor, ANTES DE LA INSTALACIÓN, para que sea reemplazado.
- El DISTRIBUIDOR garantiza que los productos están libres de defectos en mano de obra y materiales bajo uso y servicio normales, por un periodo de uno (1) año.
- El DISTRIBUIDOR, a su elección, reparará, reemplazará o hará los ajustes apropiados en caso de que la inspección opcional del DISTRIBUIDOR revele la presencia de cualquiera de esos defectos que haya ocurrido en condiciones normales de uso dentro de los periodos de la garantía.
- Sírvase notar que el DISTRIBUIDOR no es responsable de los costos de instalación ni de desinstalación.
- La modificación de los componentes de contención del producto puede anular la garantía. Esta garantía no cubre reclamaciones surgidas de abuso, mal uso, negligencia, accidente, instalación u operación inapropiada por parte del comprador. Esta garantía será nula si el producto del DISTRIBUIDOR es sujeto a alteraciones, o si se ha hecho reparaciones a el producto.
- Esta garantía no se extiende a ninguna pieza ni componente de plomería instalados por vendedores, instaladores o por cualquier otro diferente del DISTRIBUIDOR.
- Garantías implícitas, incluyendo aquellas de viabilidad comercial o conveniencia para un fin particular, las garantías quedan expresamente limitadas a la duración de esta garantía.
- El DISTRIBUIDOR se deslinda de toda responsabilidad por daños cuantificables, incidentales o indirectos.

**EL ÚNICO REMEDIO PROPORCIONADO POR ESTA GARANTÍA ES LA REPARACIÓN O EL REPLAZO DE PRODUCTOS DEFECTUOSOS.**

**ESTA GARANTÍA NO CUBRE COSTOS DE DESINSTALACIÓN NI DE INSTALACIÓN DEL NUEVO PRODUCTO. LA GARANTÍA SERÁ NULA SI ESTE ARTÍCULO ES INSTALADO CON DEFECTOS VISUALES OBVIOS.**

Costco Wholesale UK Ltd /  
Costco Online UK Ltd  
Hartspring Lane  
Watford, Herts  
WD25 8JS  
United Kingdom  
01923 213113  
[www.costco.co.uk](http://www.costco.co.uk)

**MADE IN CHINA / FABRIQUÉ EN CHINE / HECHO EN CHINA**