

# SOJAG

produits saisonniers • seasonal products



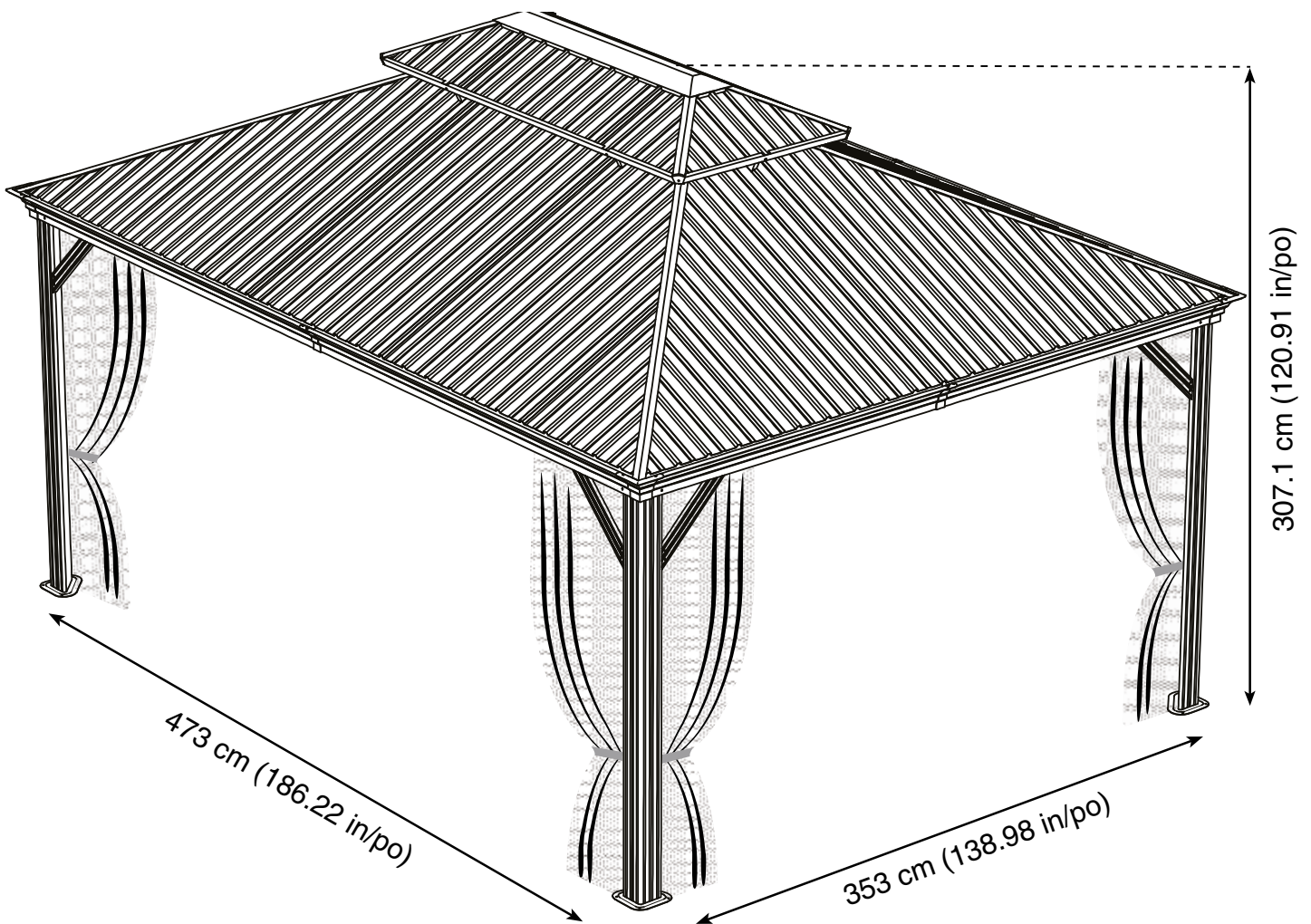
Sojag code: 999-7159660

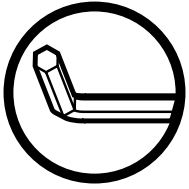
CUP/UPC code: 772830159660

Costco code: 223238

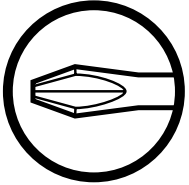
QUESTIONS? 01923 213113

## Assembly Manual / Guide d'assemblage / Manual de ensamblaje / 조립 설명서 / Montageanleitung

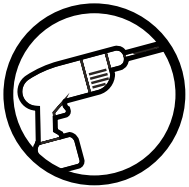




Use the hex keys in the box. / Utilisez les clés hexagonales fournies dans la boîte. /  
Utilice las llaves hexagonales en la caja. / 상자에 육각 키를 사용 하십시오. / Verwenden Sie  
die Sechskantschlüssel in der Box.



Please use a phillips screwdriver / Utilisez un tournevis de type Phillips / Por favor,  
use un destornillador Phillips / 십자 드라이버를 사용 하십시오. / Bitte verwenden Sie einen  
Kreuzschraubenzieher.



you may need to use a drill for this step. / vous pouvez avoir besoin d'utiliser une  
perceuse pour cette étape. / puede que tenga que utilizar un taladro para este paso. /  
이 단계에선 드릴을 사용해야 할 수도 있습니다. / Für diesen Schritt können Sie einen  
Bohrer verwenden.



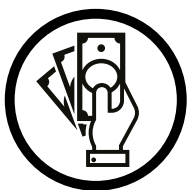
It is recommended to wear protective gloves / Le port de gants de protection est recommandé /  
El uso de guantes de protección se recomienda / 보호 장갑을 착용 하는 것이 좋습니다. /  
Das Tragen von Schutzhandschuhen wird empfohlen.



Two or more people are required at this stage. / Deux personnes ou plus sont nécessaires à cette  
étape. / Dos o más personas se requieren en esta etapa. / 이 단계에서는 두 명 이상이 필요합니다. /  
Für diesen Bauschritt sind 2 oder mehr Personen erforderlich.

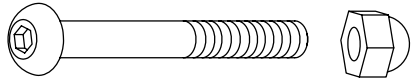


Do not screw firmly for now. / Ne pas visser fermement pour l'instant. / No atornille con  
firmeza por ahora. / 아직 나사를 단단히 조이지 마십시오. / Bitte die Schrauben zum  
jetzigen Zeitpunkt noch nicht fest anziehen.

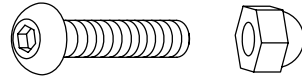


Sold in options / Vendus en options / vendido en las opciones /  
옵션 판매 / Optional erhältlich

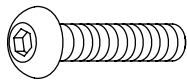
**S** X 28 (+2)



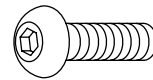
**T** X 90 (+9)



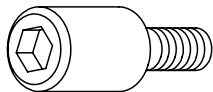
**U** X 19 (+3)



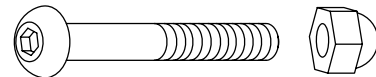
**V** X 266 (+10)



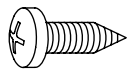
**X** X 16 (+2)



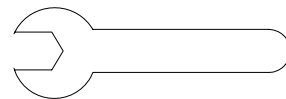
**X1** X 4 (+2)



**Y** X 24 (+5)



**W2** X 1

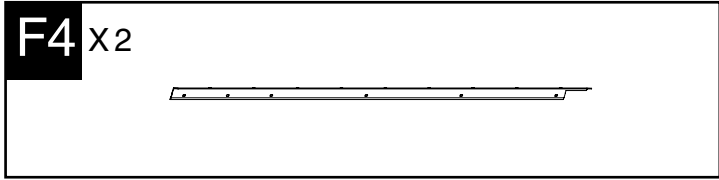
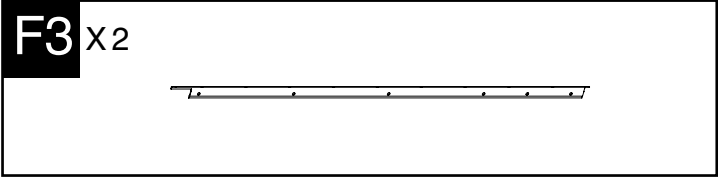
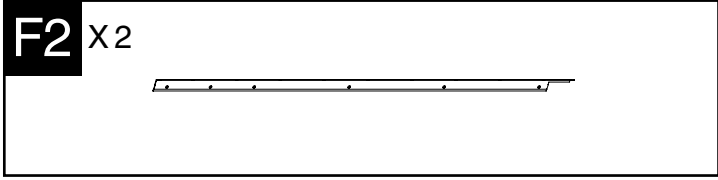
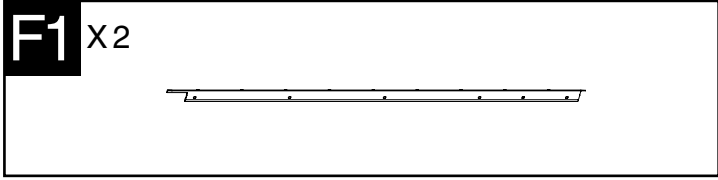
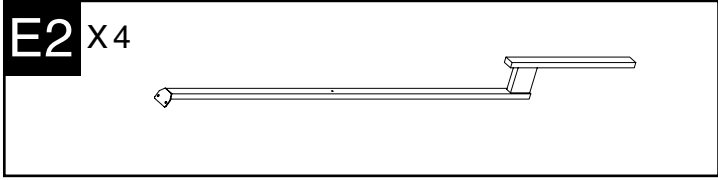
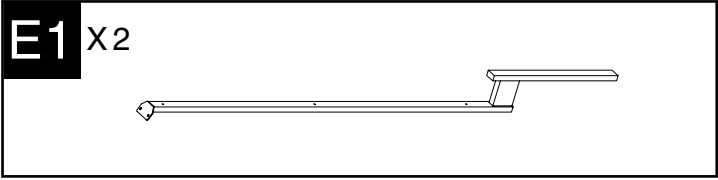
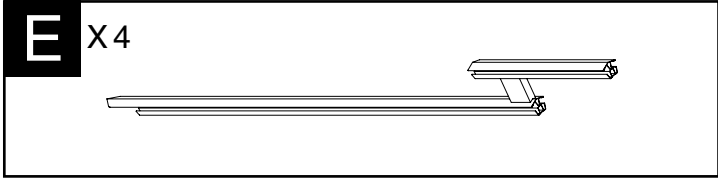
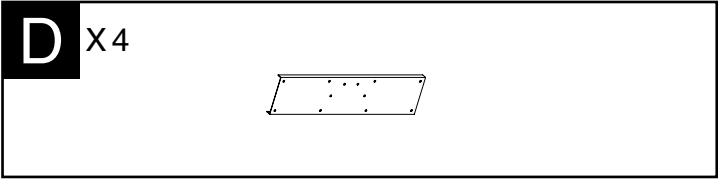
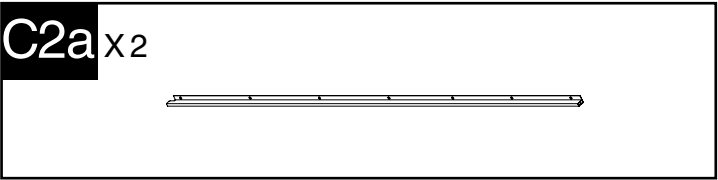
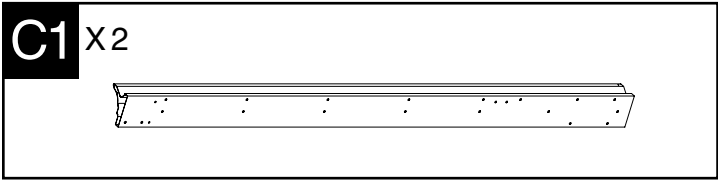
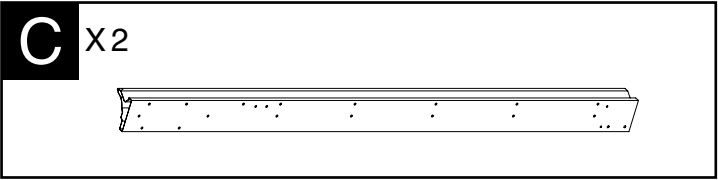
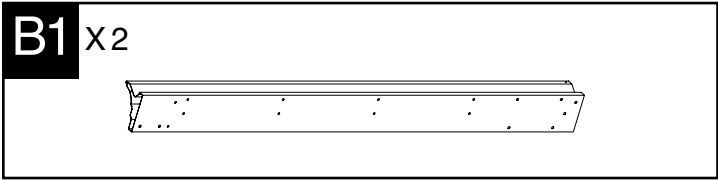
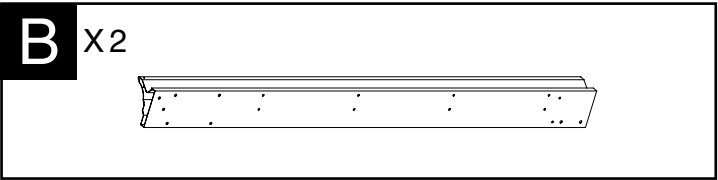
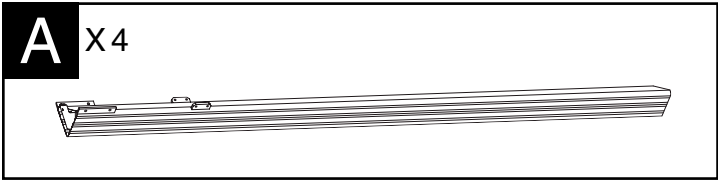







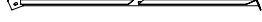

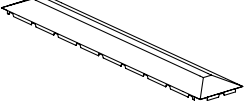
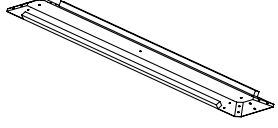





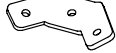



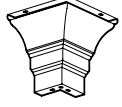

**Wa** X 2

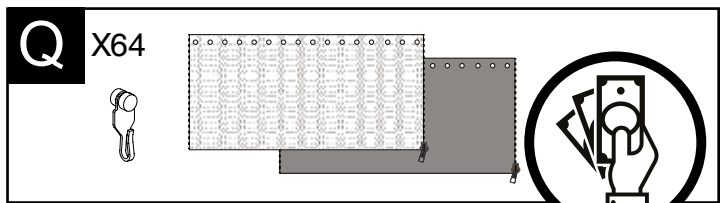
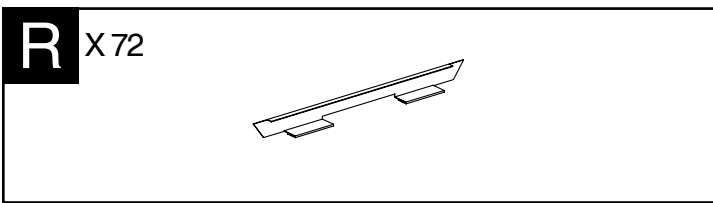
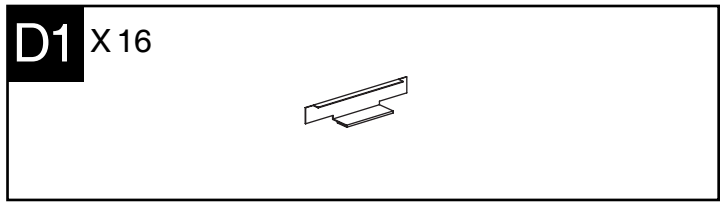
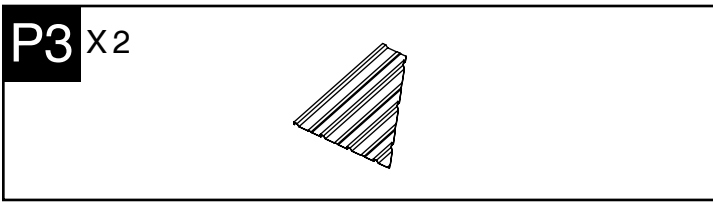
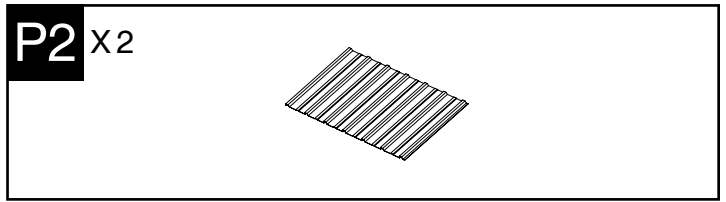
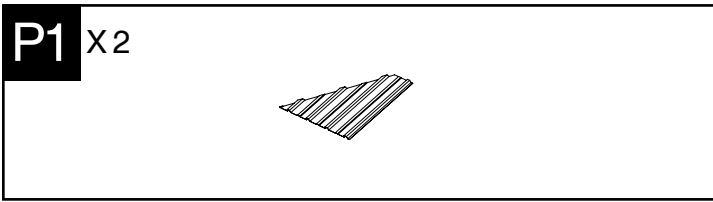
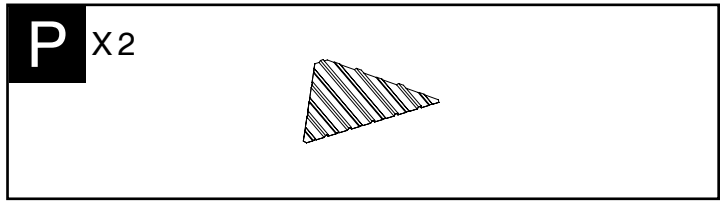
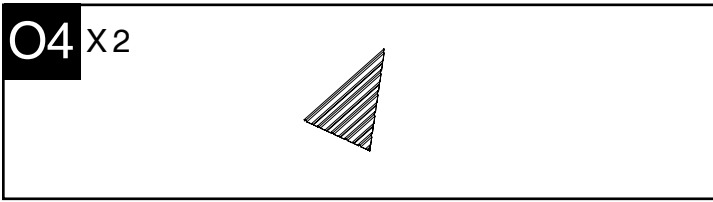
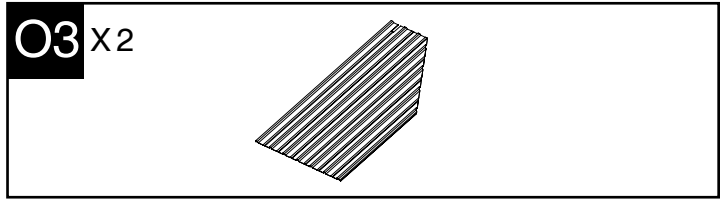
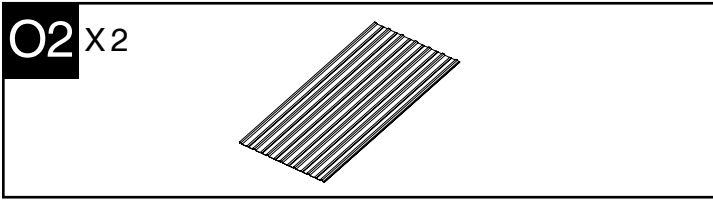
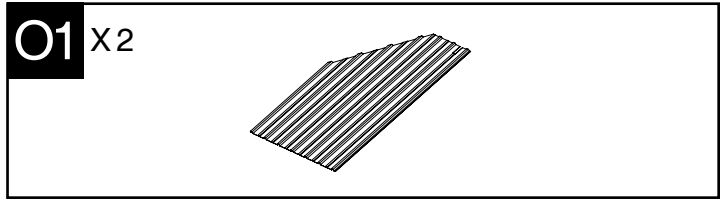
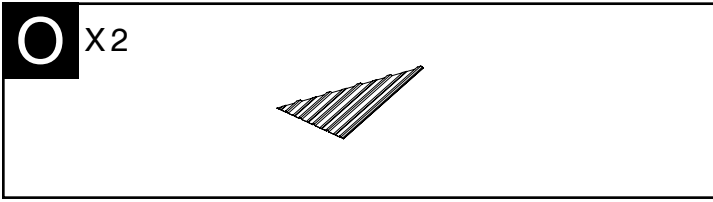
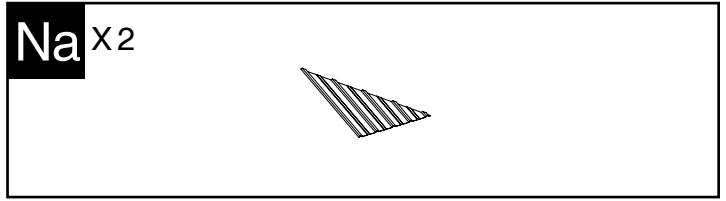
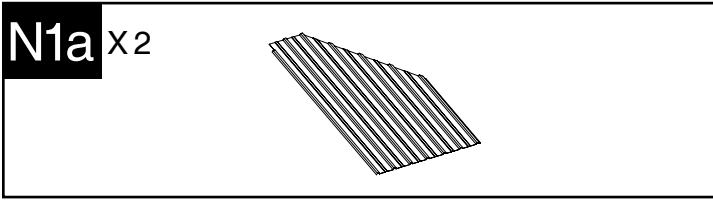
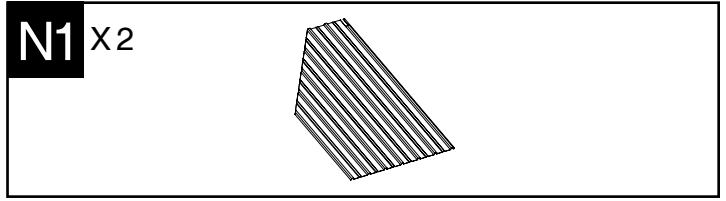
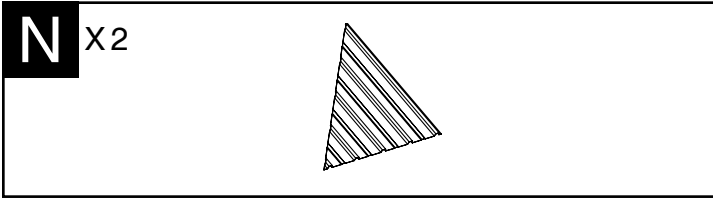


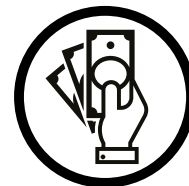
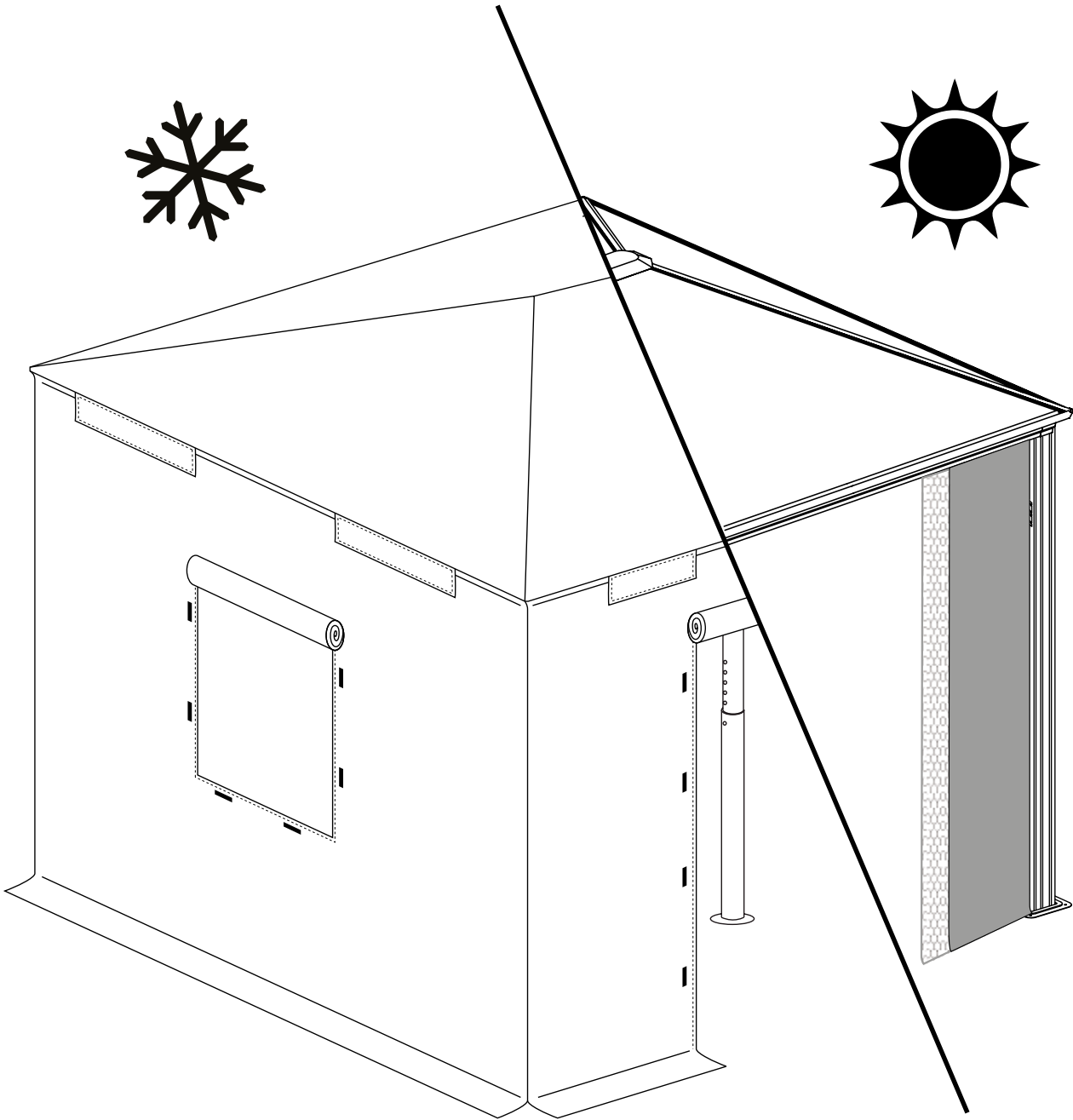
**Z** X 1

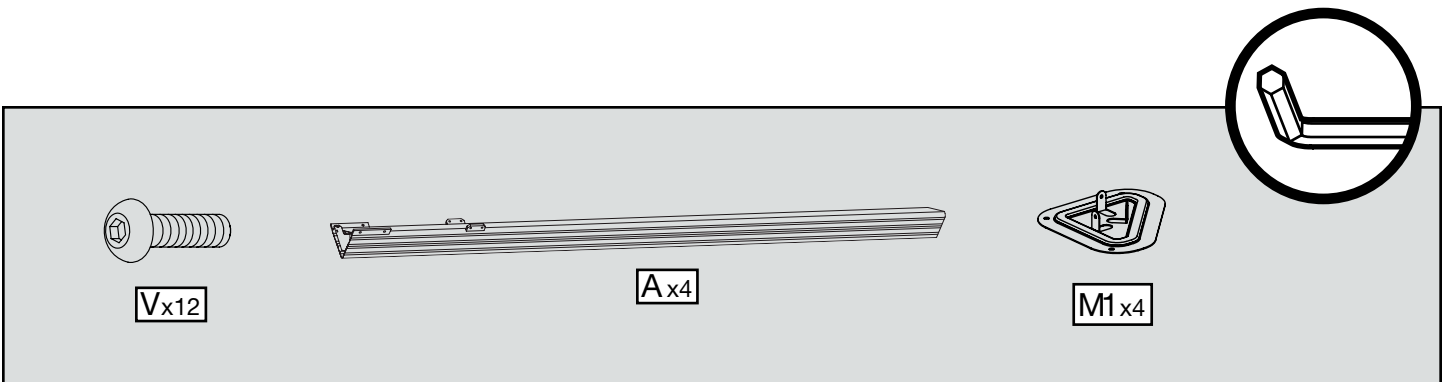
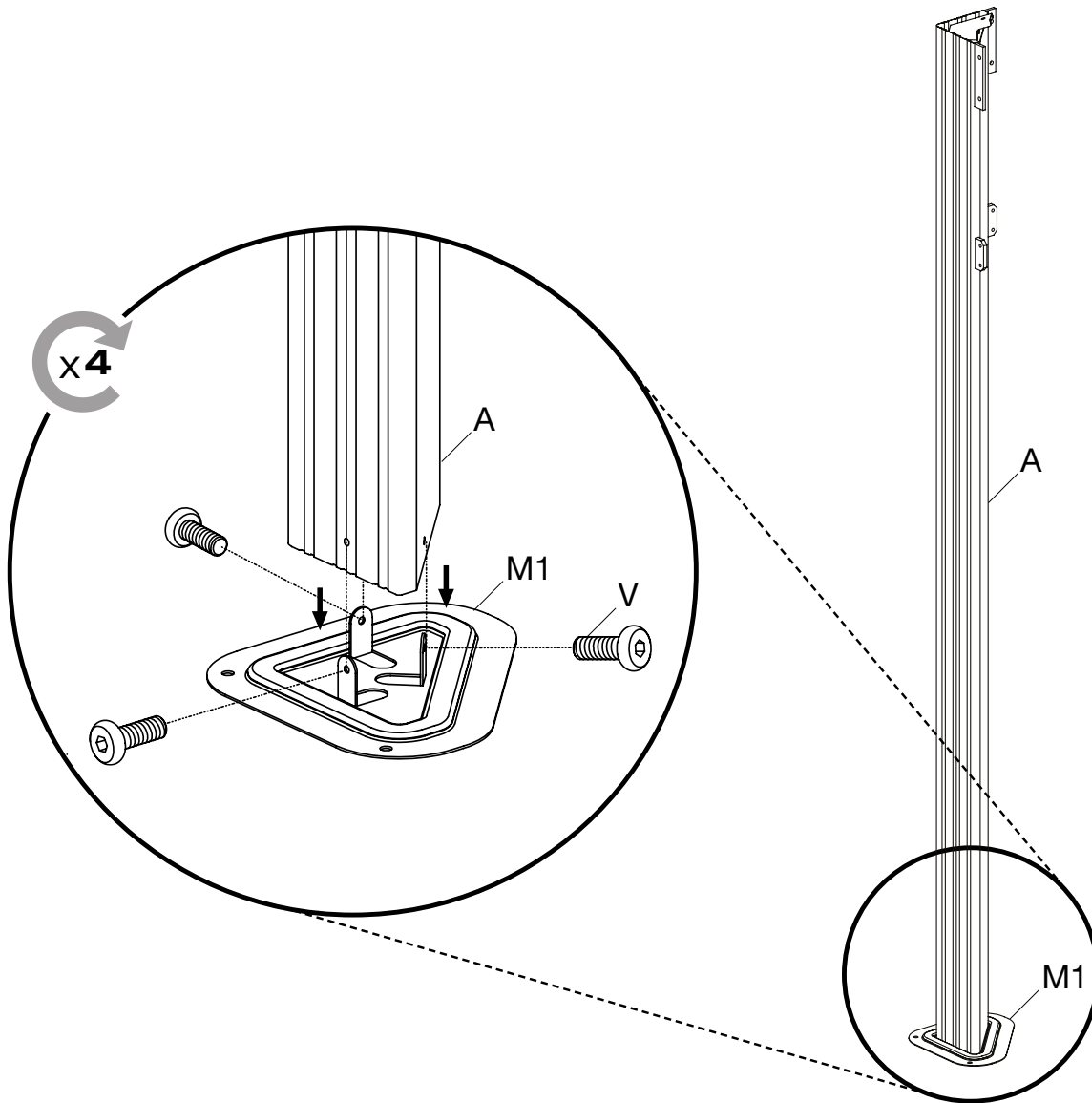




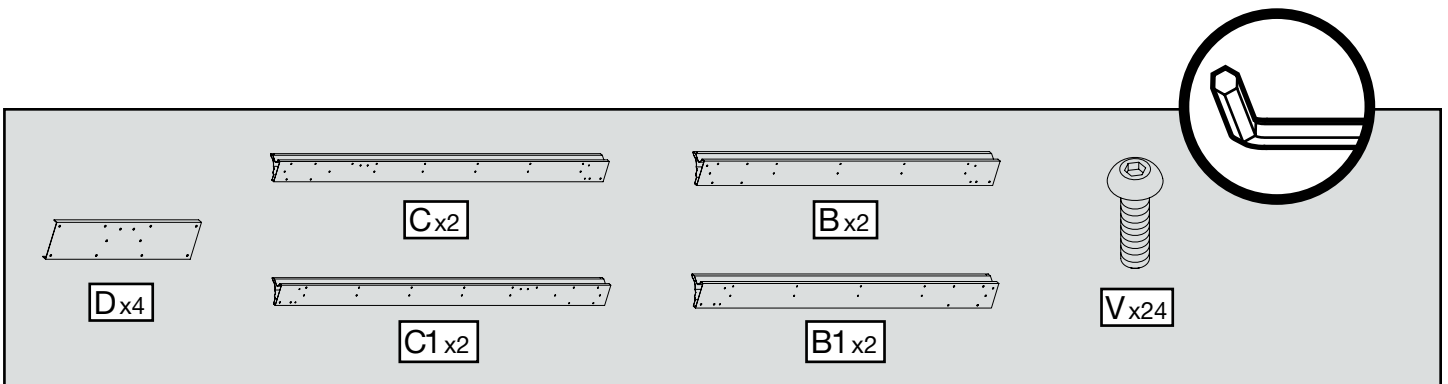
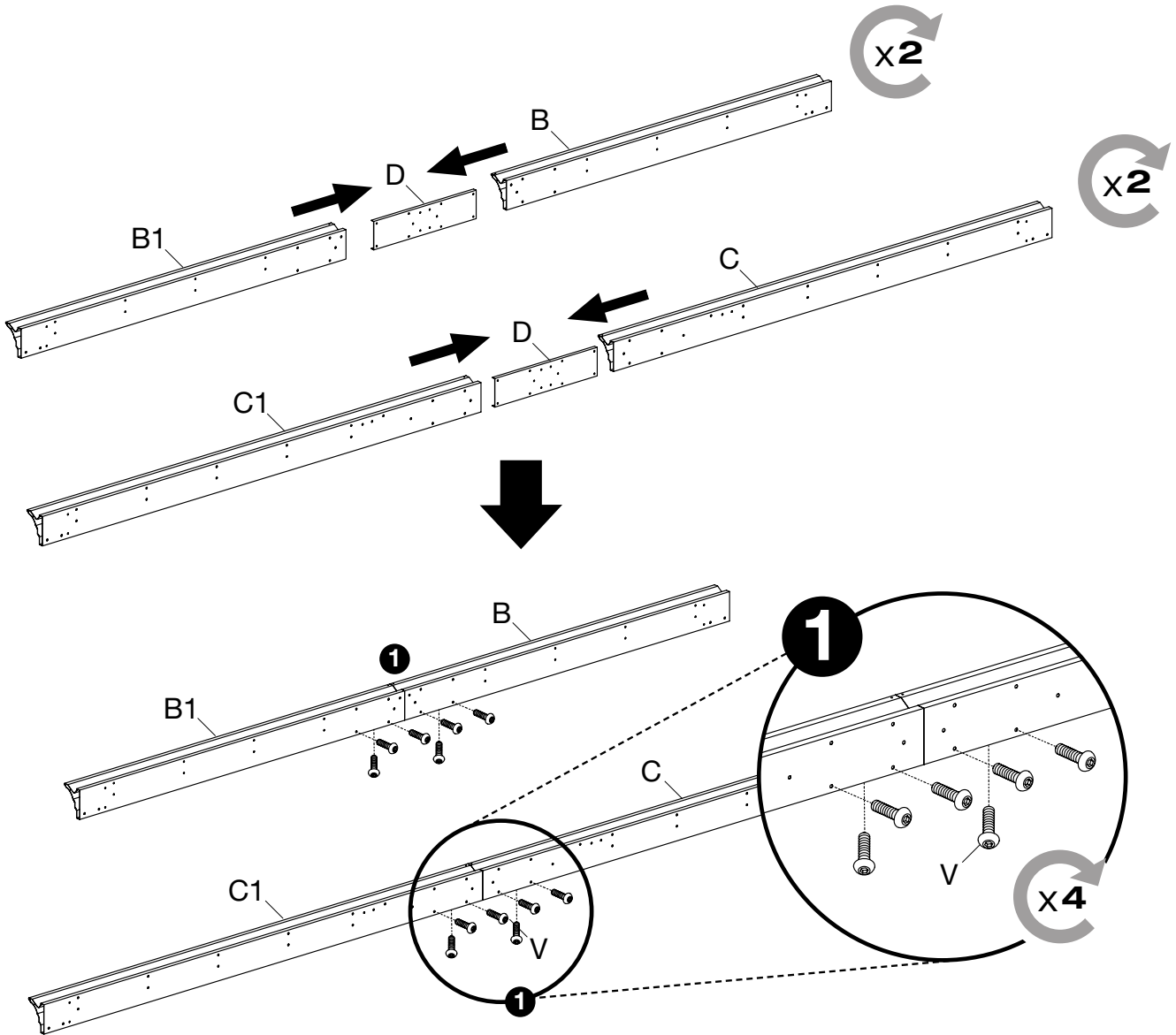
<b>F5</b> X2 	<b>G</b> X2 
<b>G1</b> X2 	<b>H</b> X4 
<b>I</b> X4 	<b>J</b> X2 
<b>J1</b> X2 	<b>K</b> X1 
<b>K1</b> X1 	<b>L1</b> X4 
<b>L2</b> X4 	<b>M1</b> X4 
<b>M2</b> X8 	<b>M3</b> X6 
<b>M4</b> X4 	<b>M5</b> X124 
<b>R1</b> X2 	<b>R2</b> X2 
<b>W</b> X4 	<b>W1</b> X4 

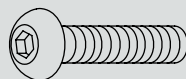
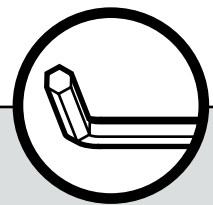
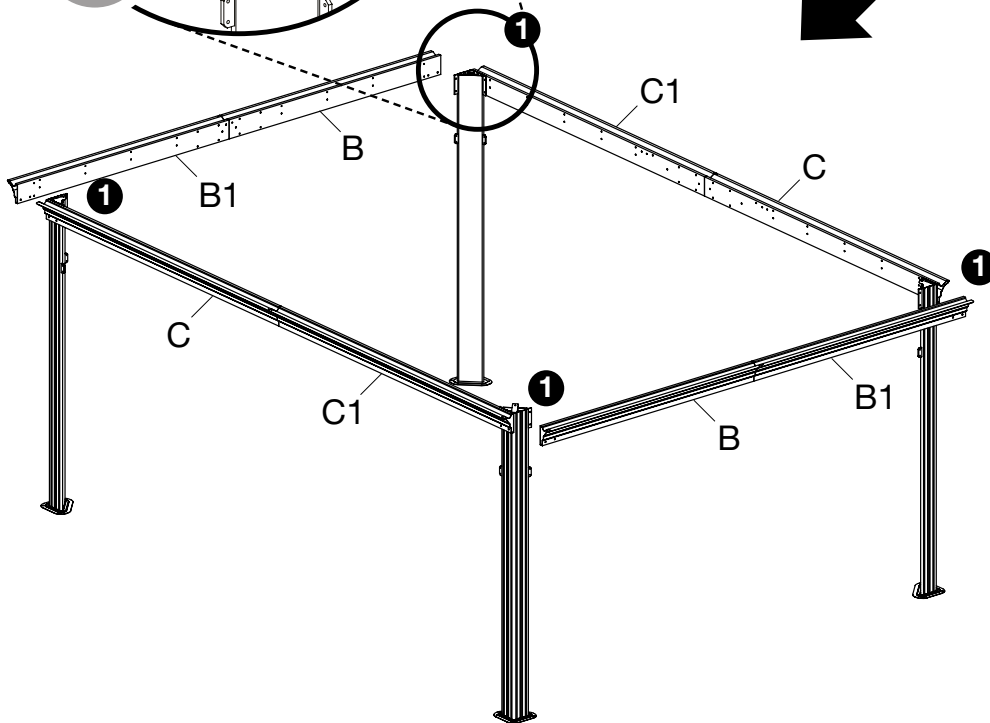
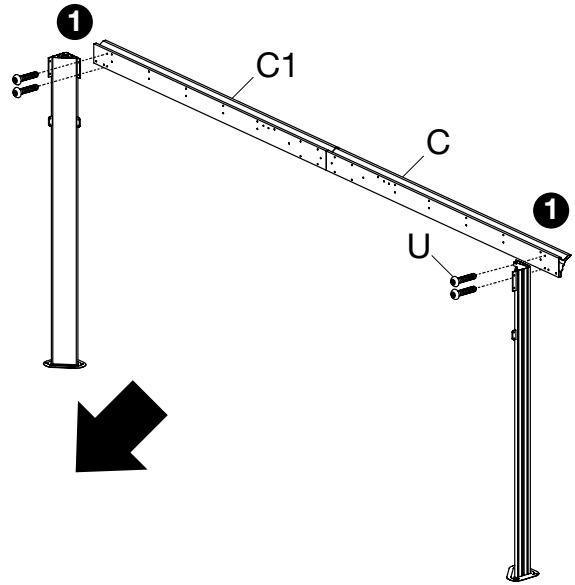
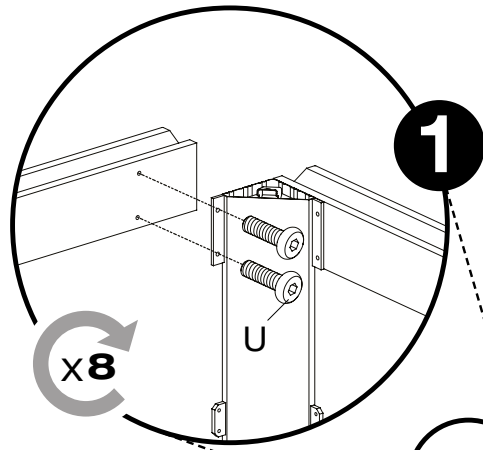




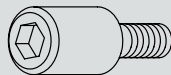
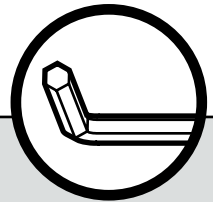
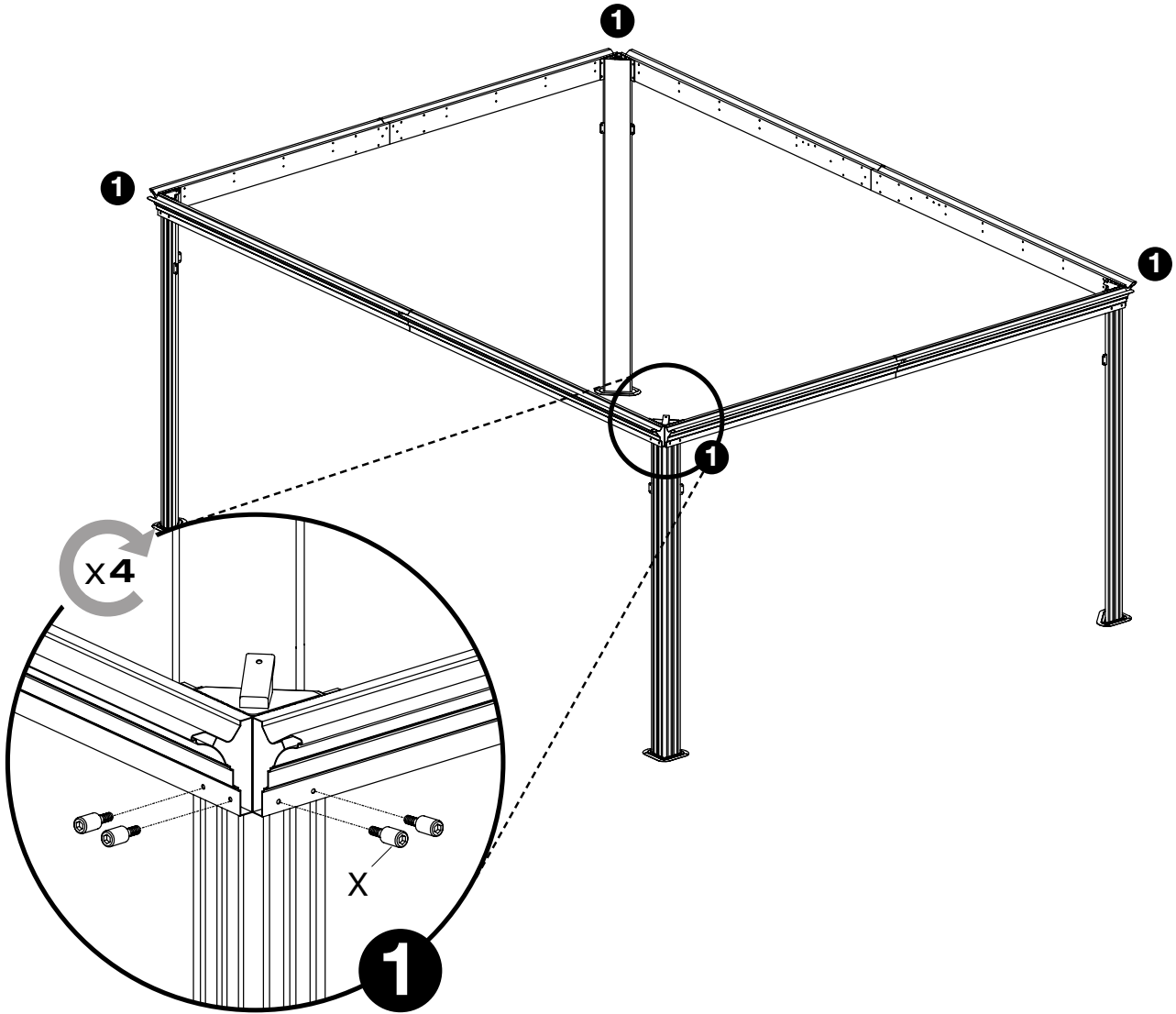




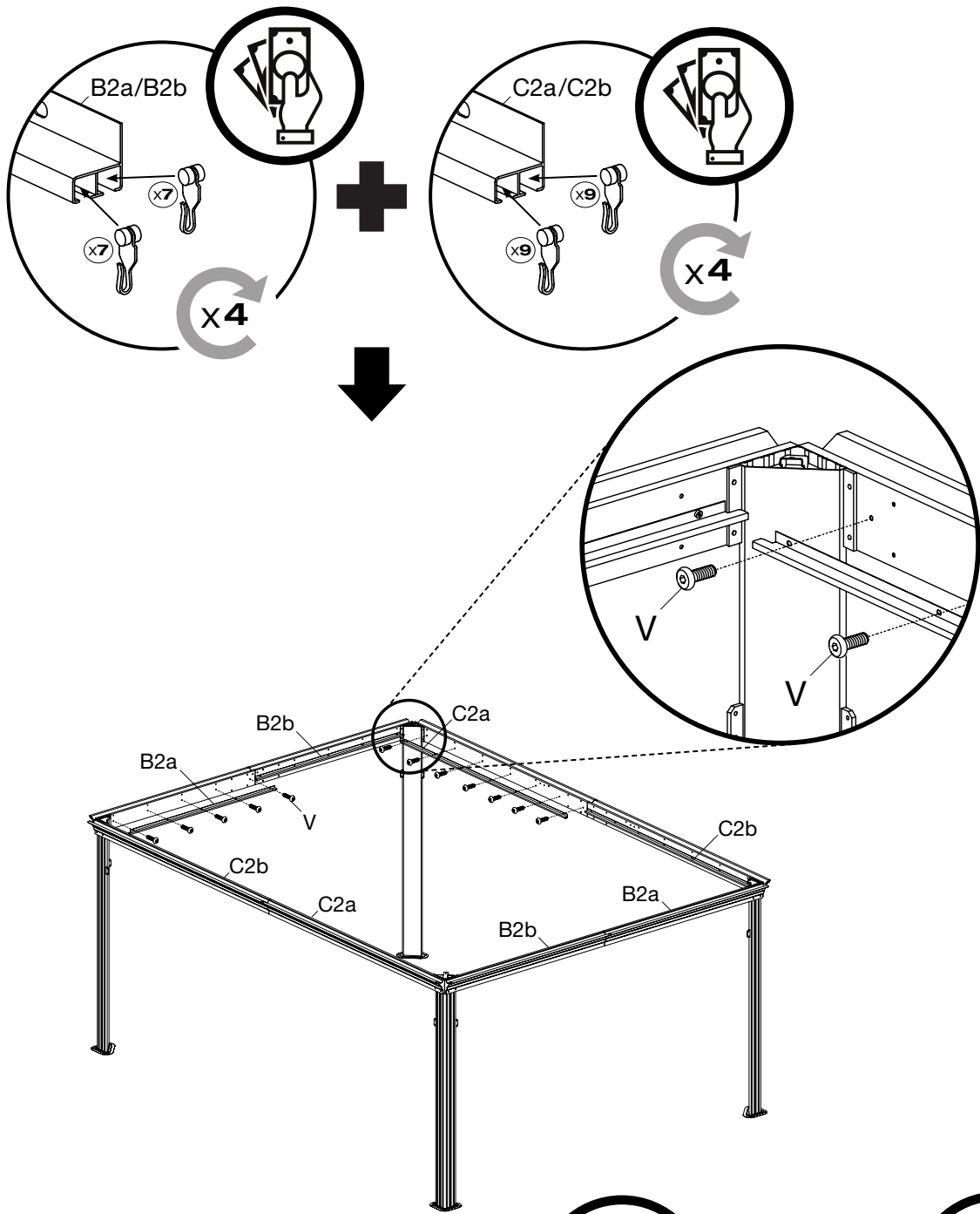


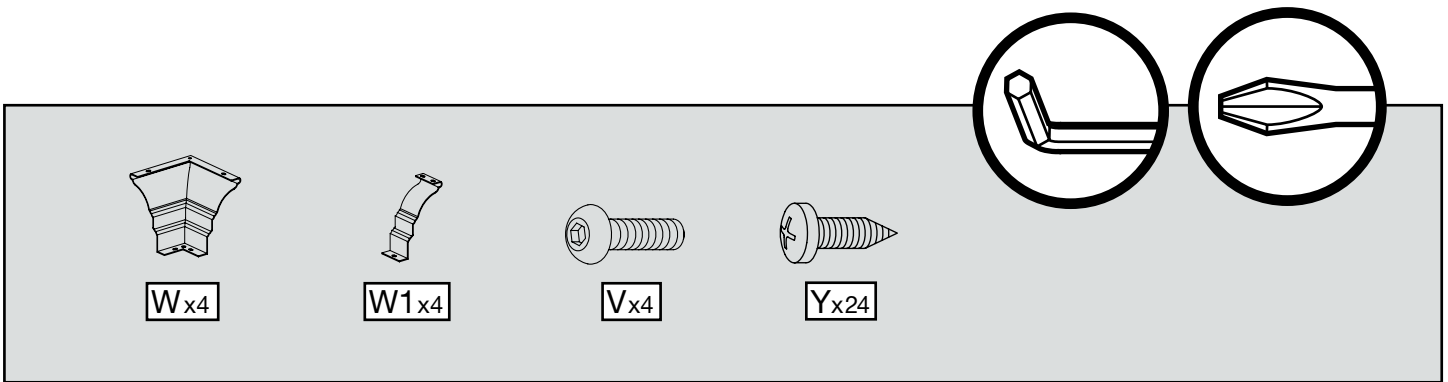
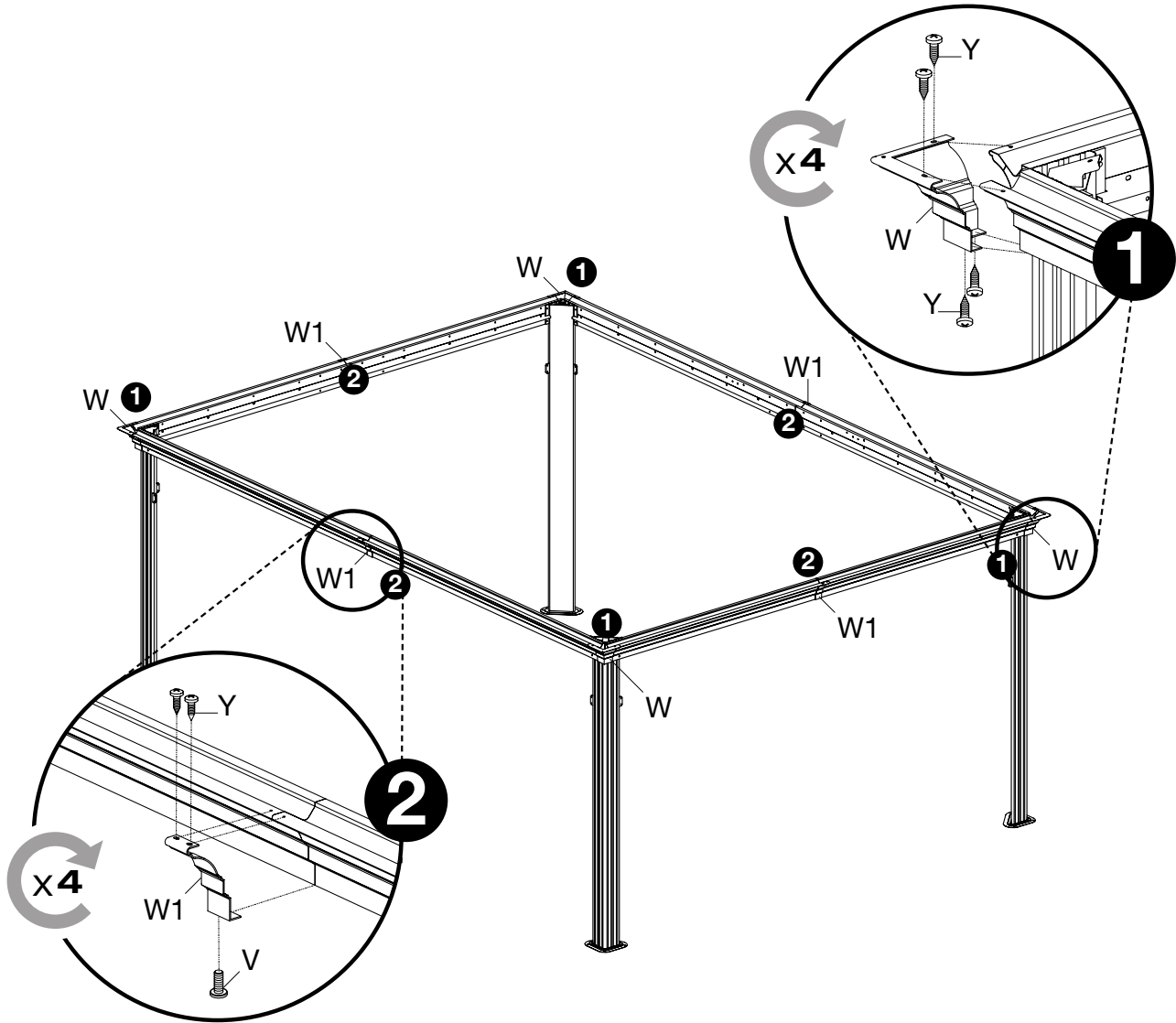


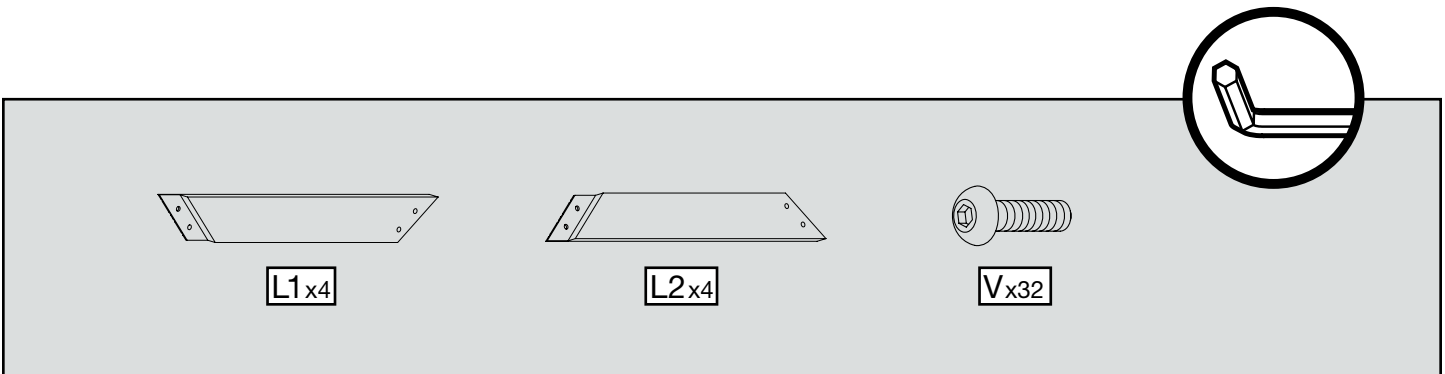
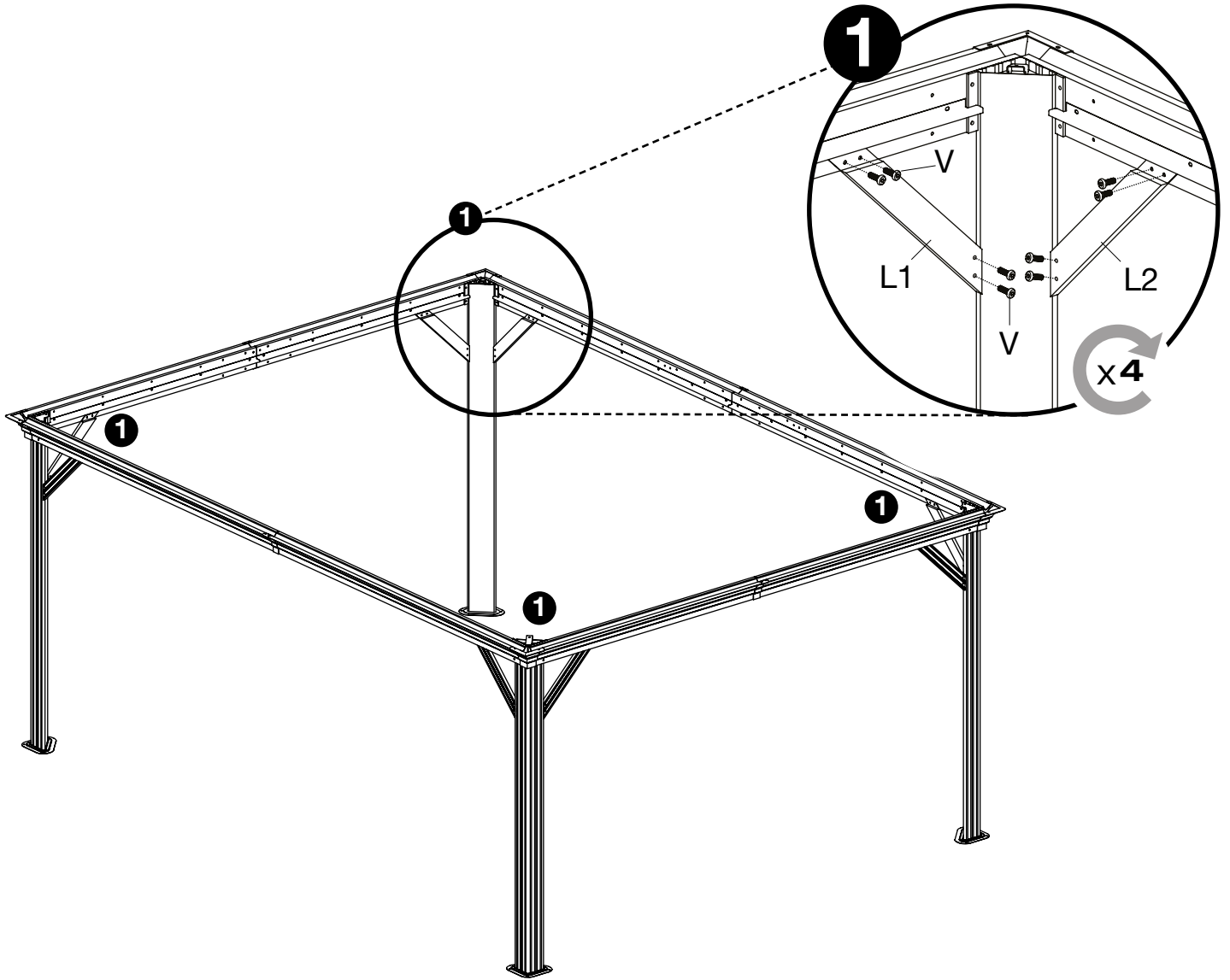
U x16

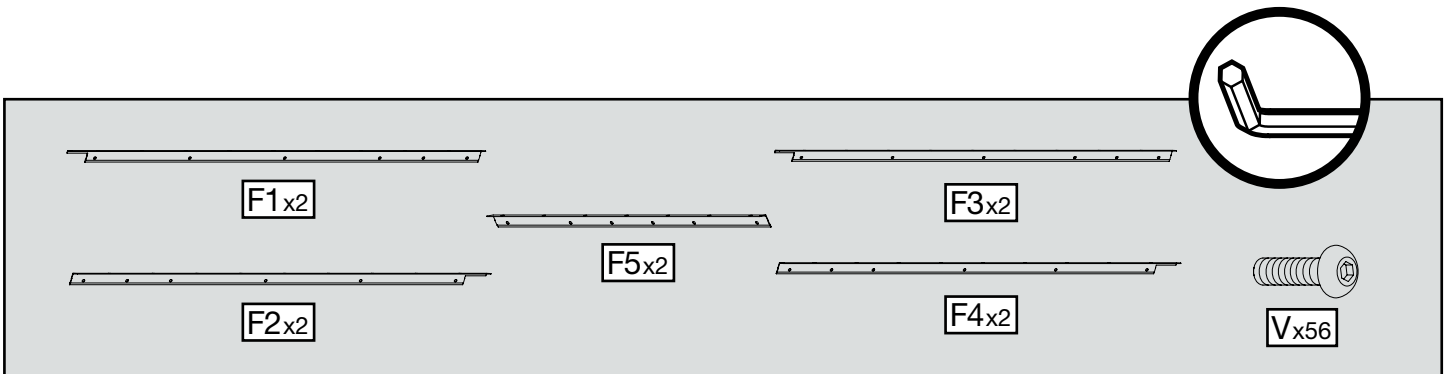
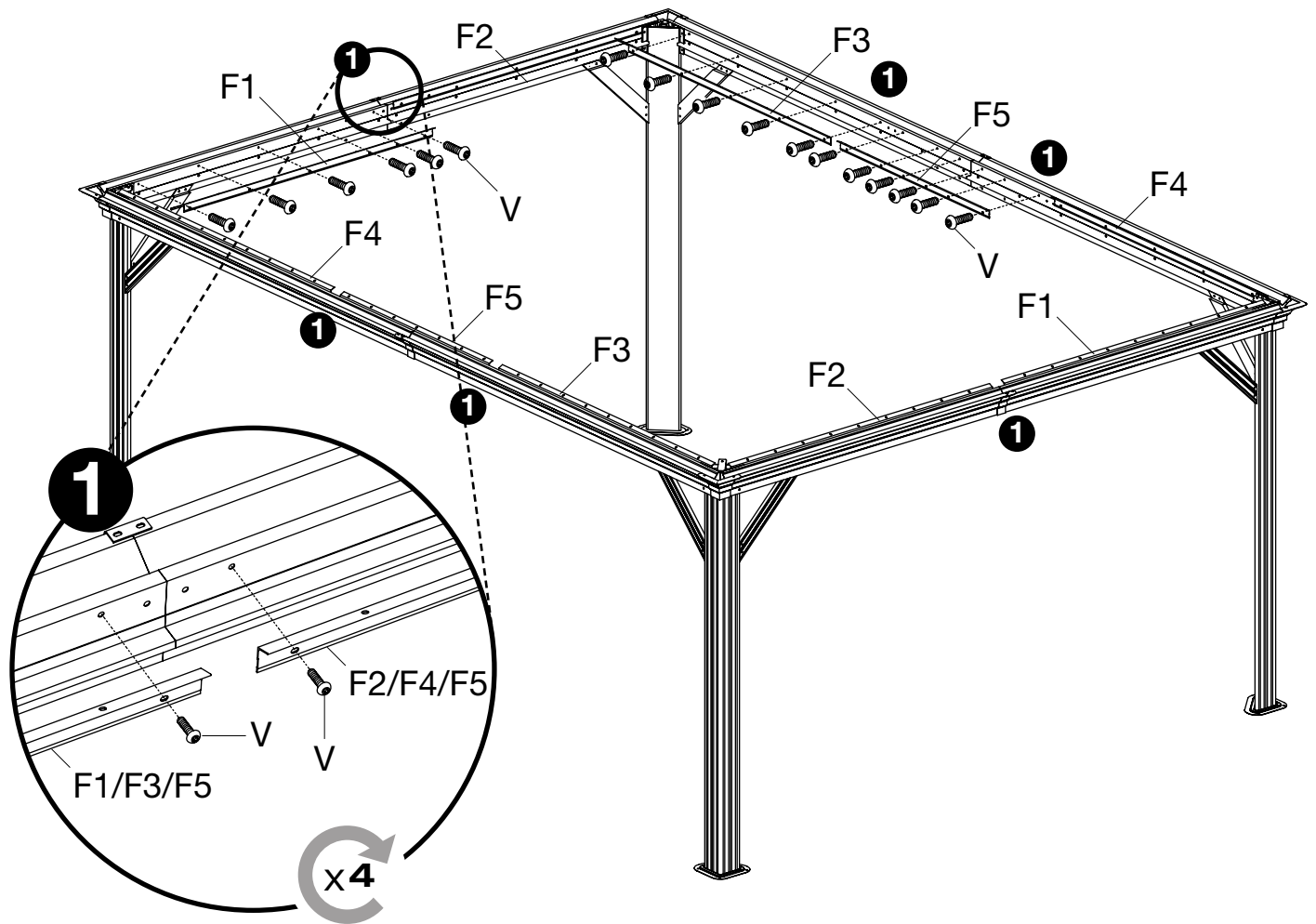


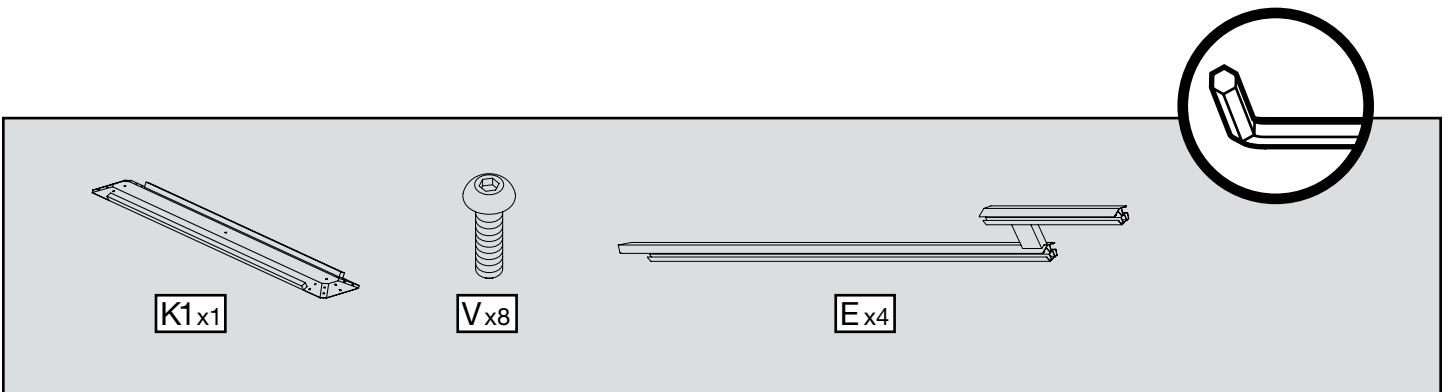
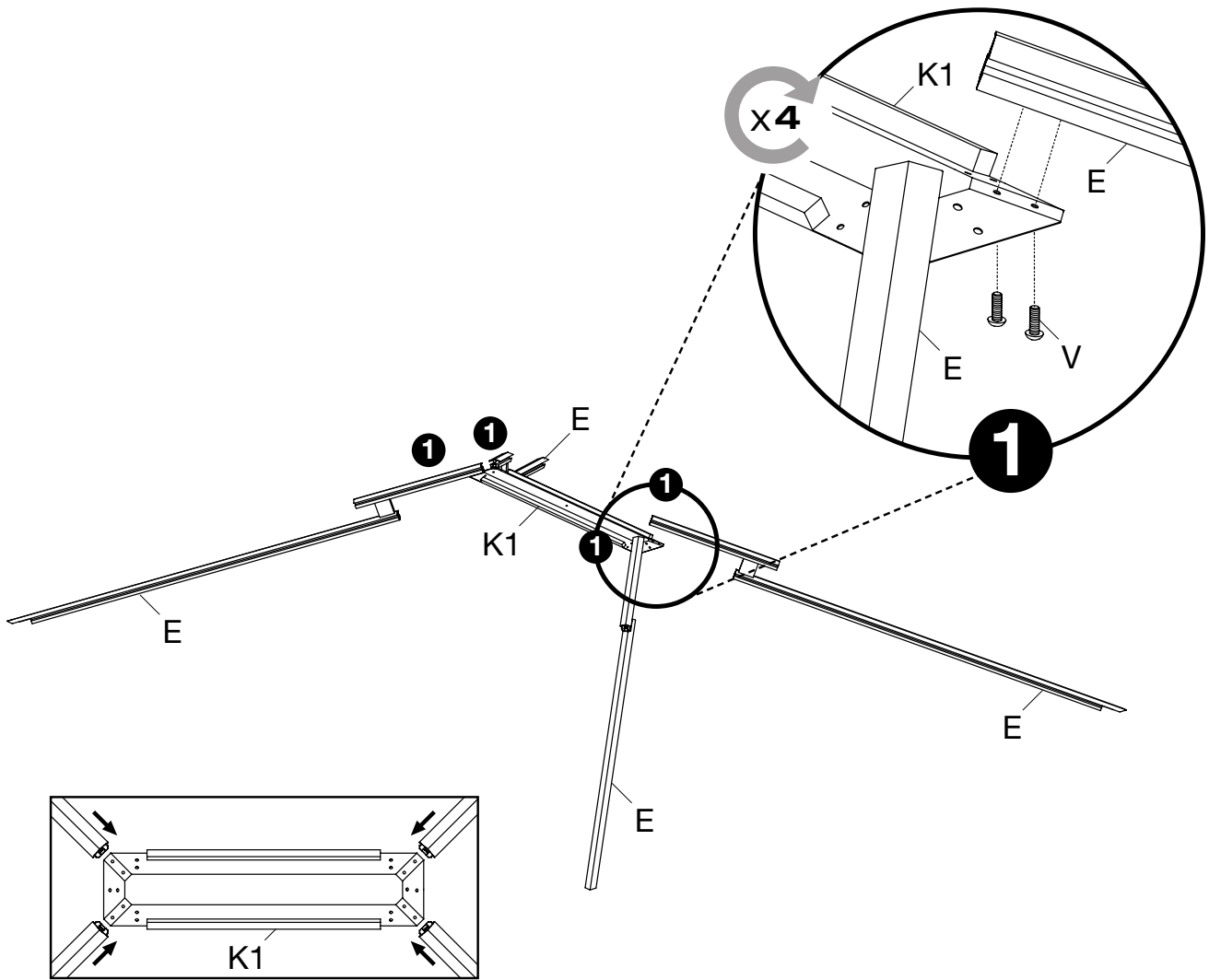
Xx16



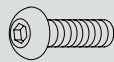
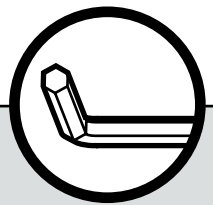
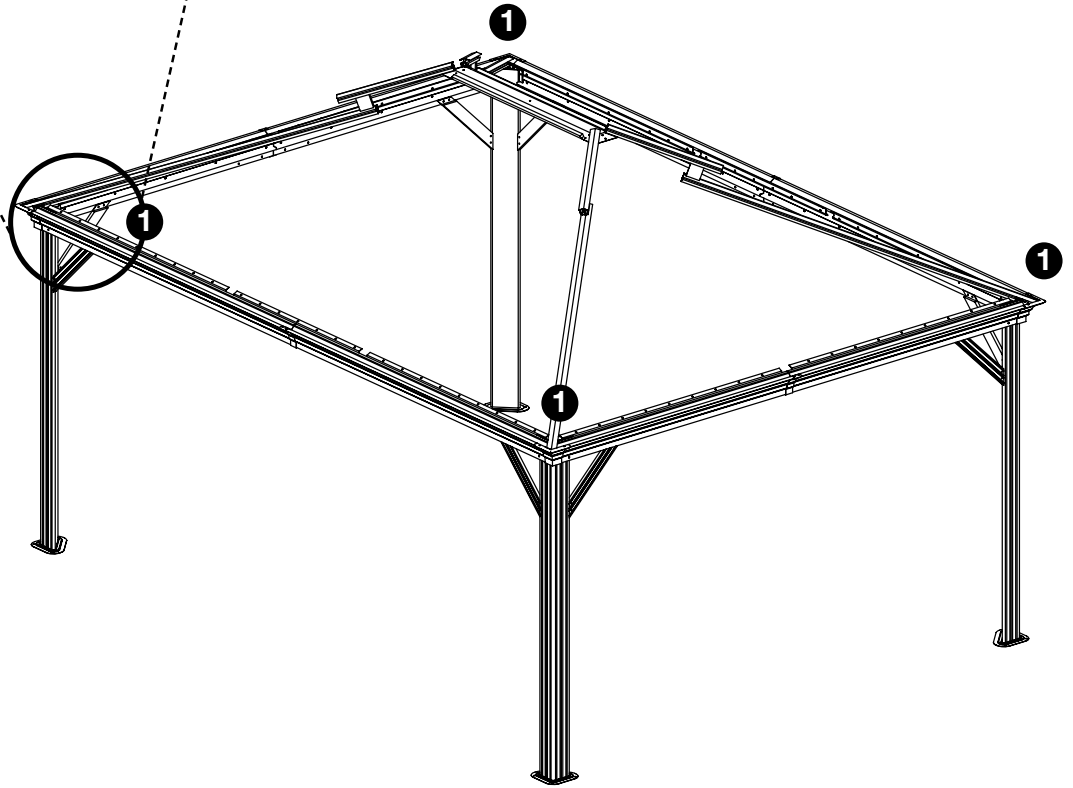
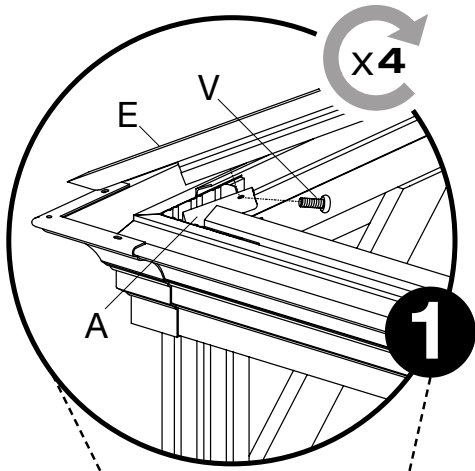





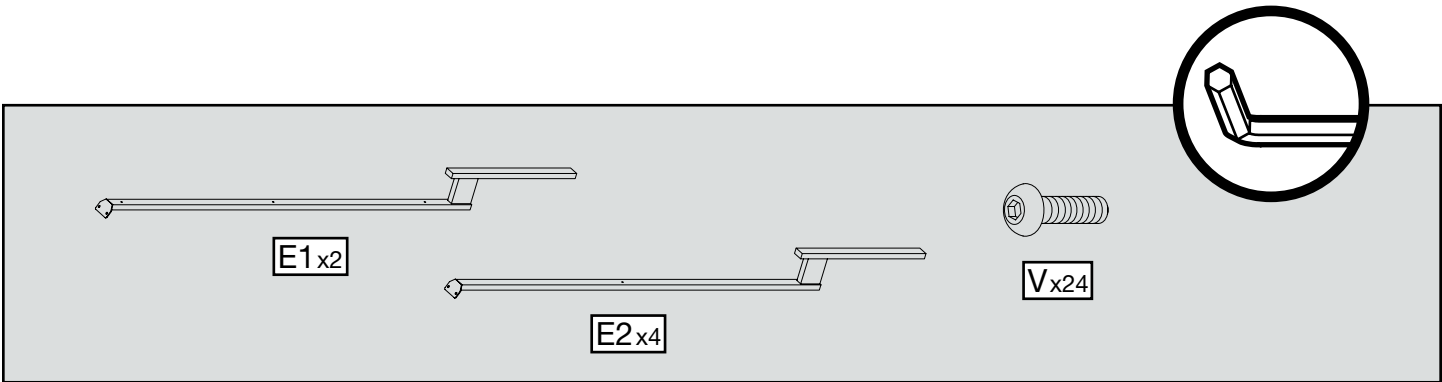
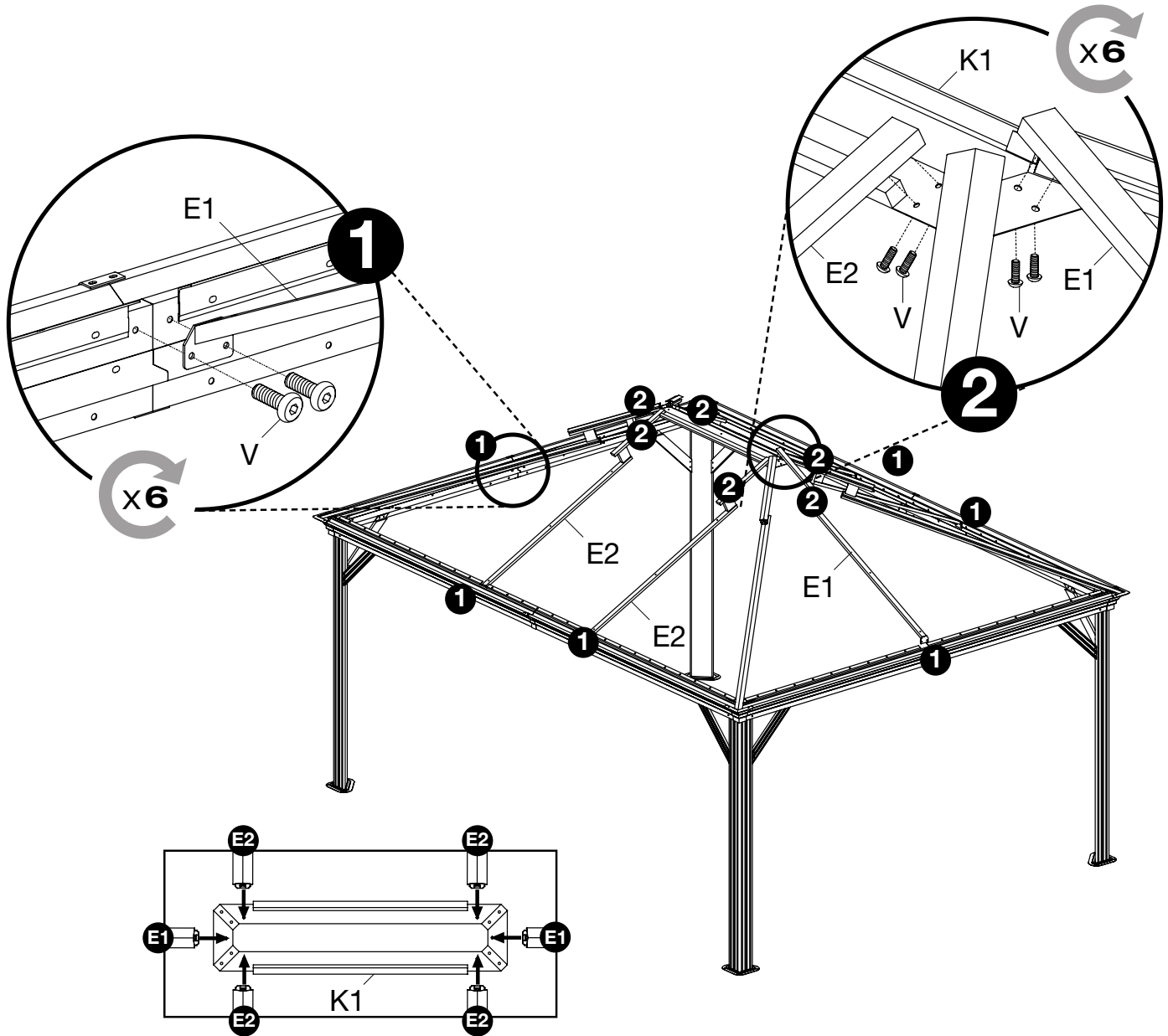


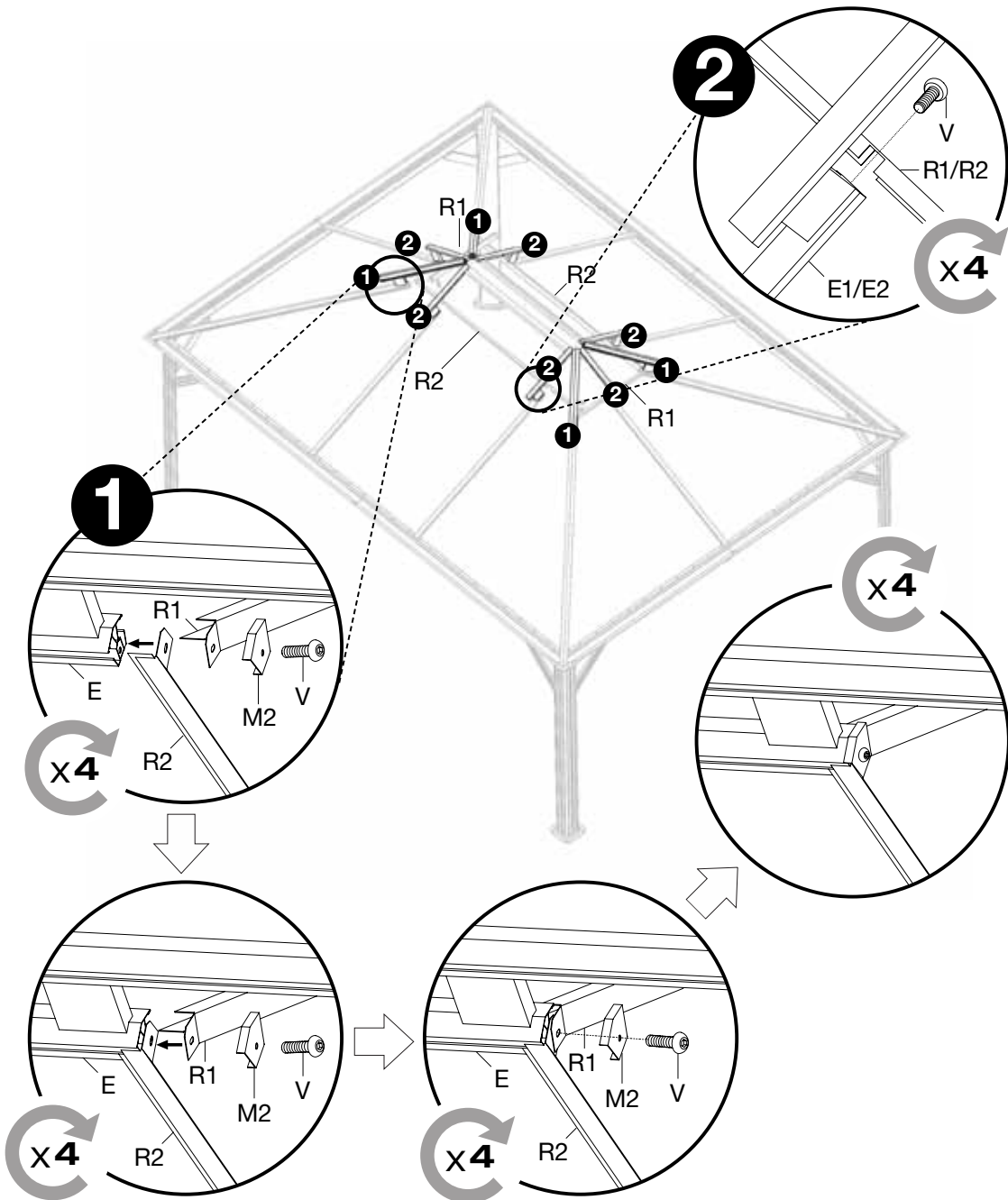






Vx4

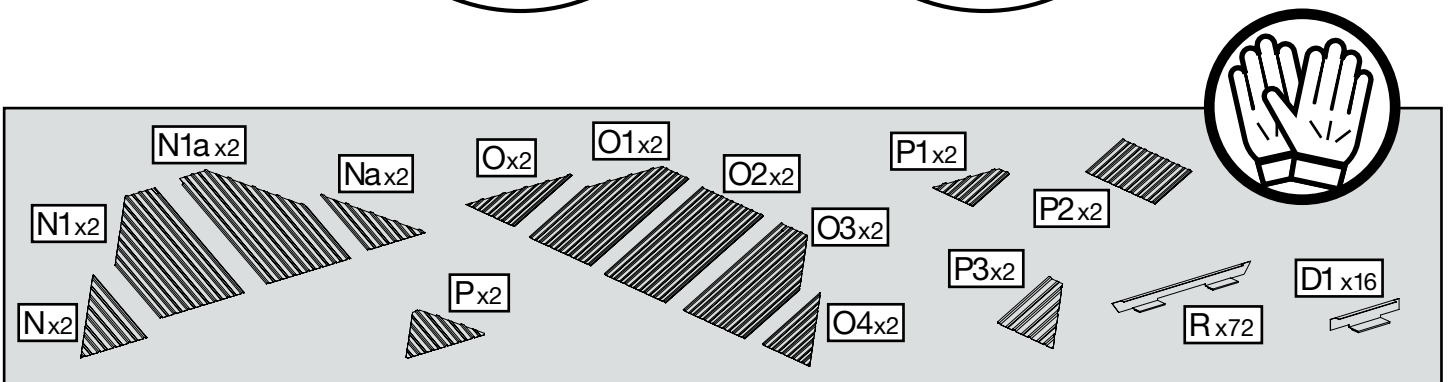
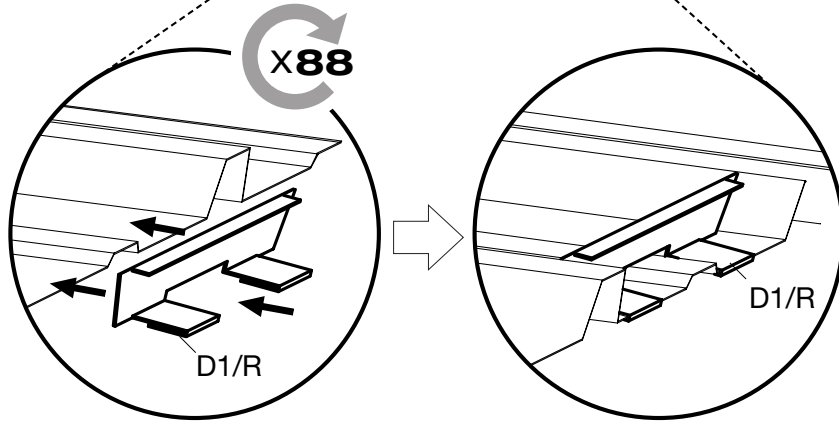
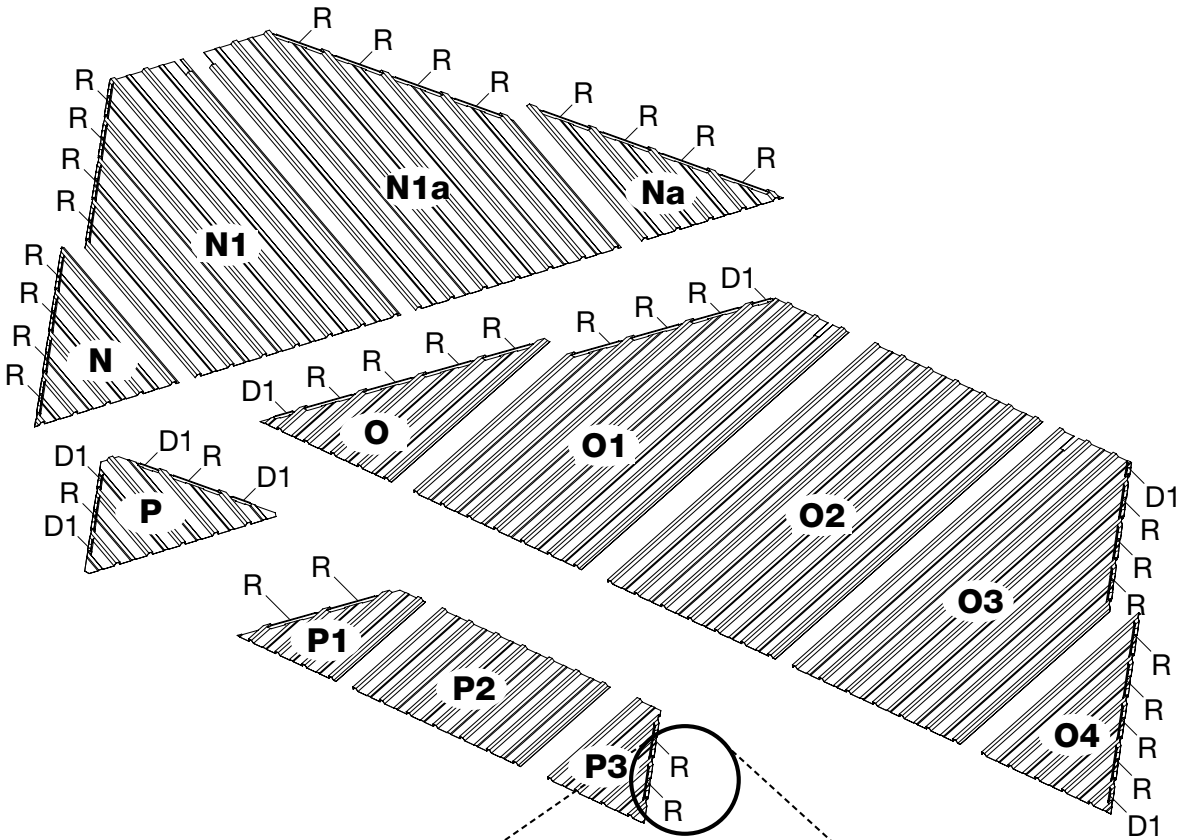


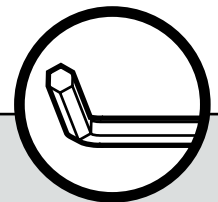
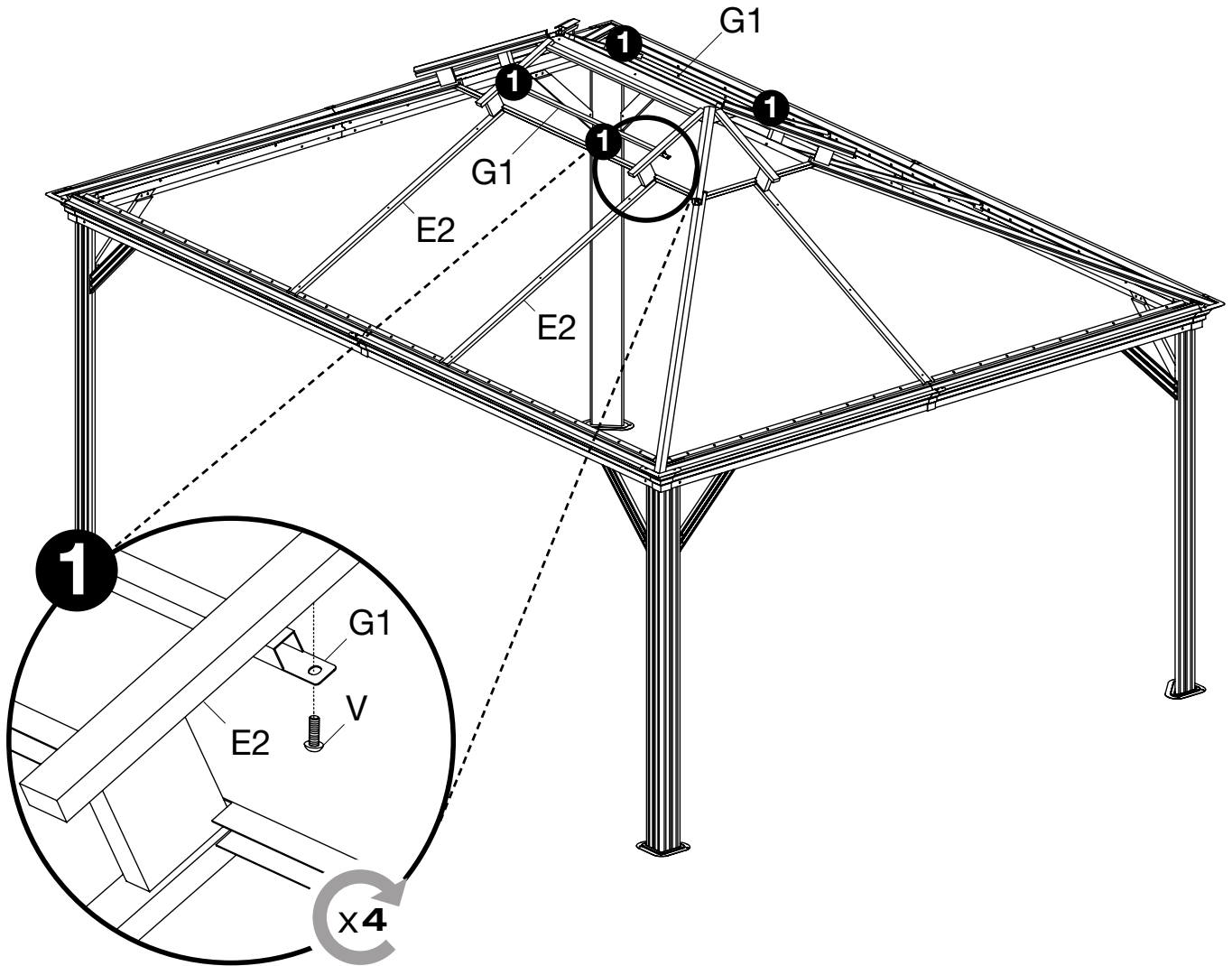


This section lists the required parts and their quantities for the assembly:

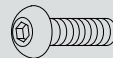
- R1**: 2 pieces (R1x2)
- R2**: 2 pieces (R2x2)
- M2**: 4 pieces (M2x4)
- V**: 10 pieces (Vx10)

A circular icon on the right shows a cross-section of a member with a hole, likely representing the R1 or R2 components.

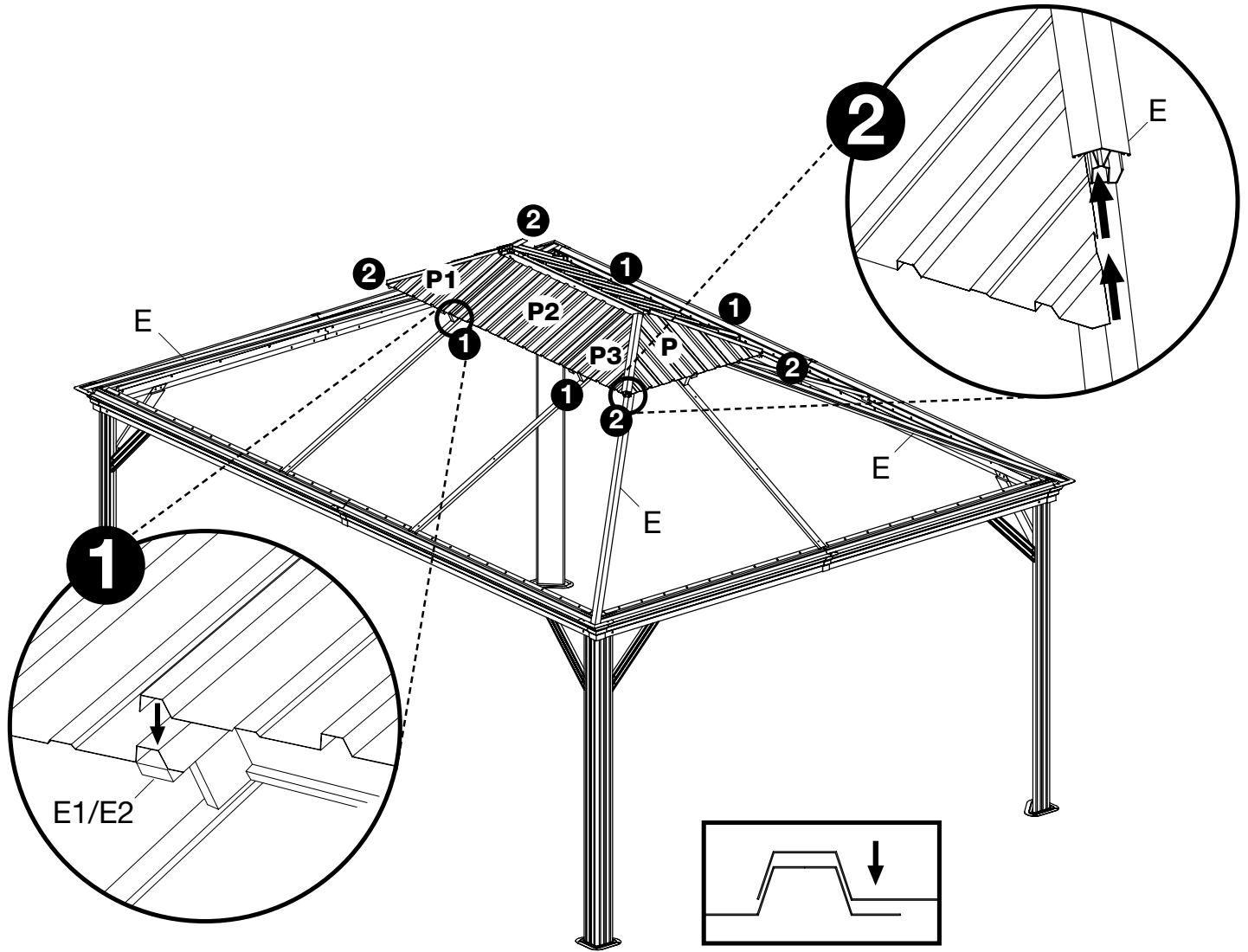




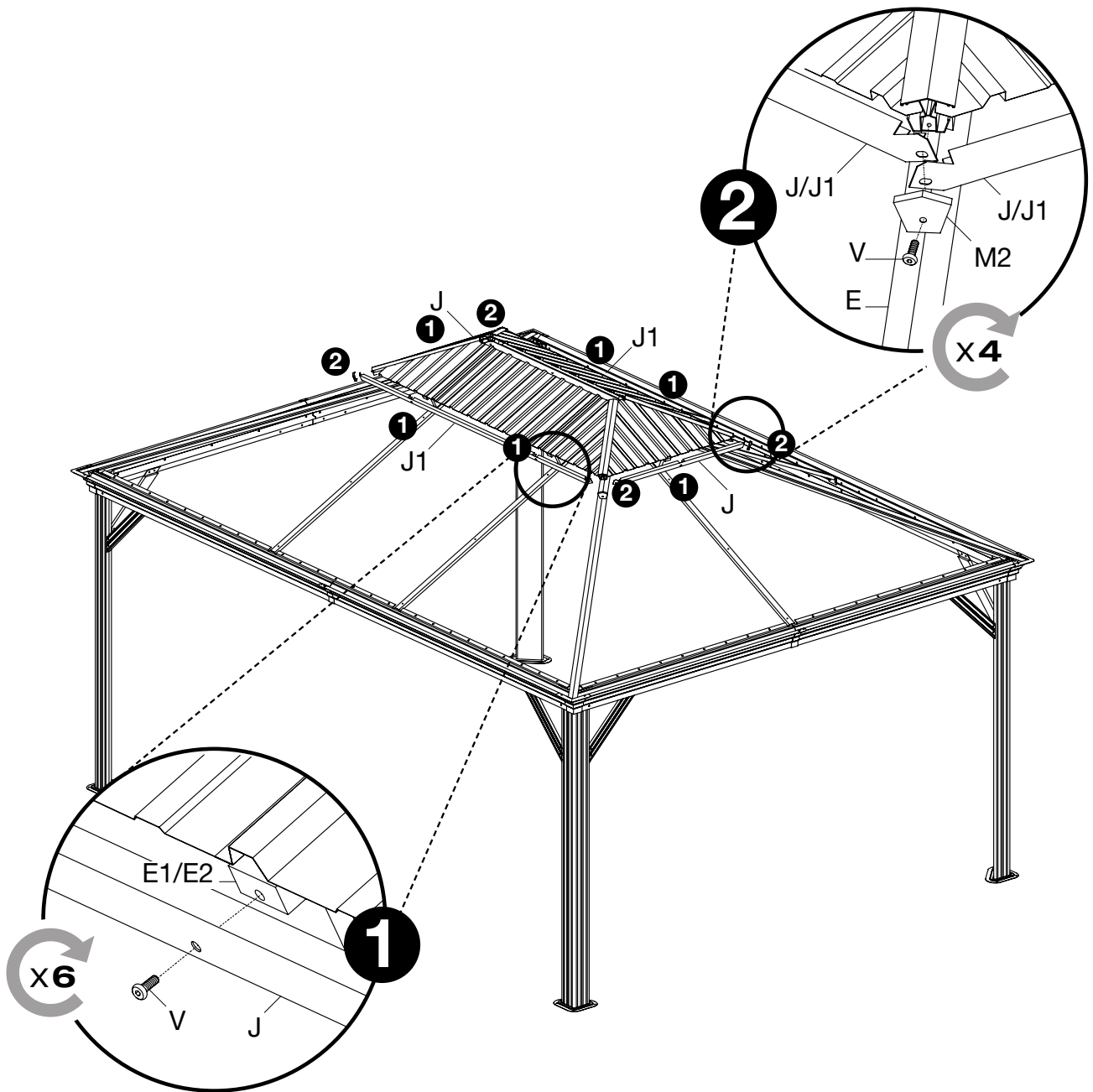
G1x2



Vx4



A parts list is provided at the bottom of the page, showing four items: P1x2, P2x2, P3x2, and Px2. Each item is represented by a small diagram of the part. To the right of the parts list is a circular icon containing a pair of hands, indicating a safety or handling instruction.

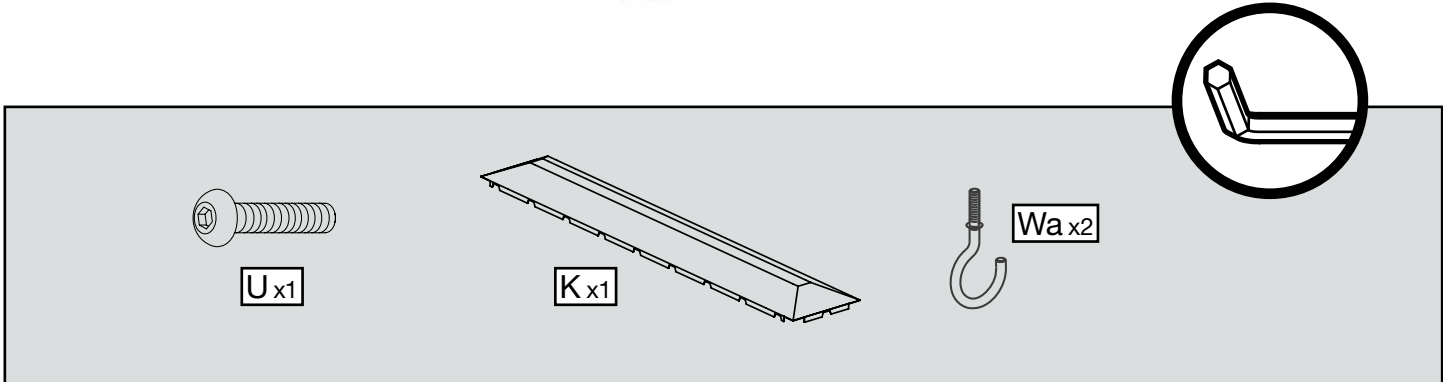
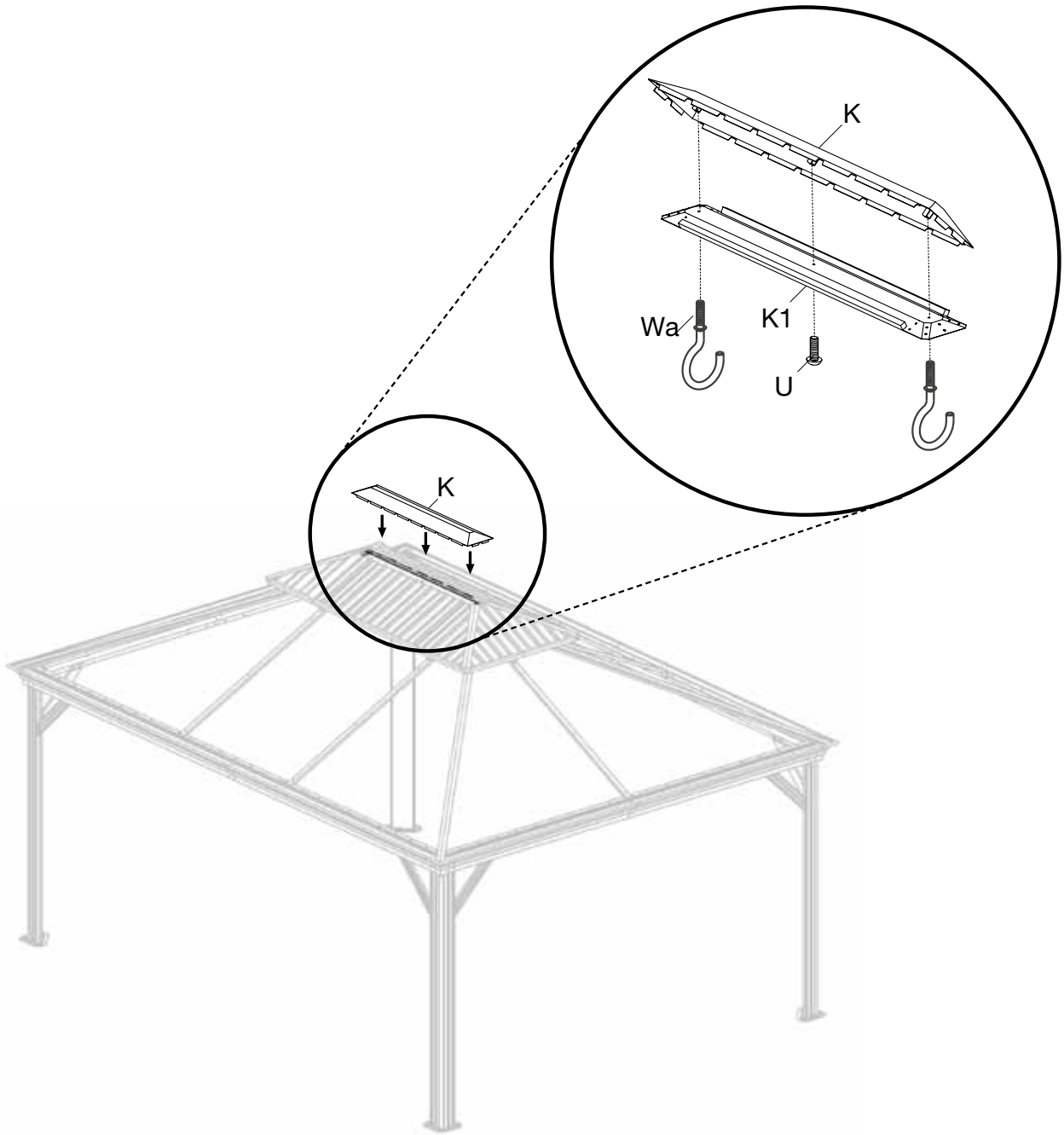


Jx2

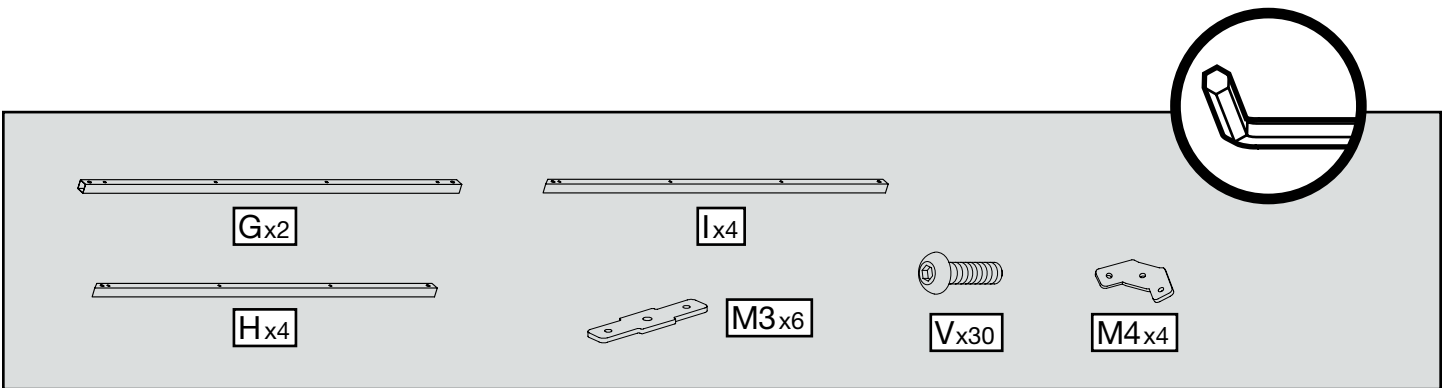
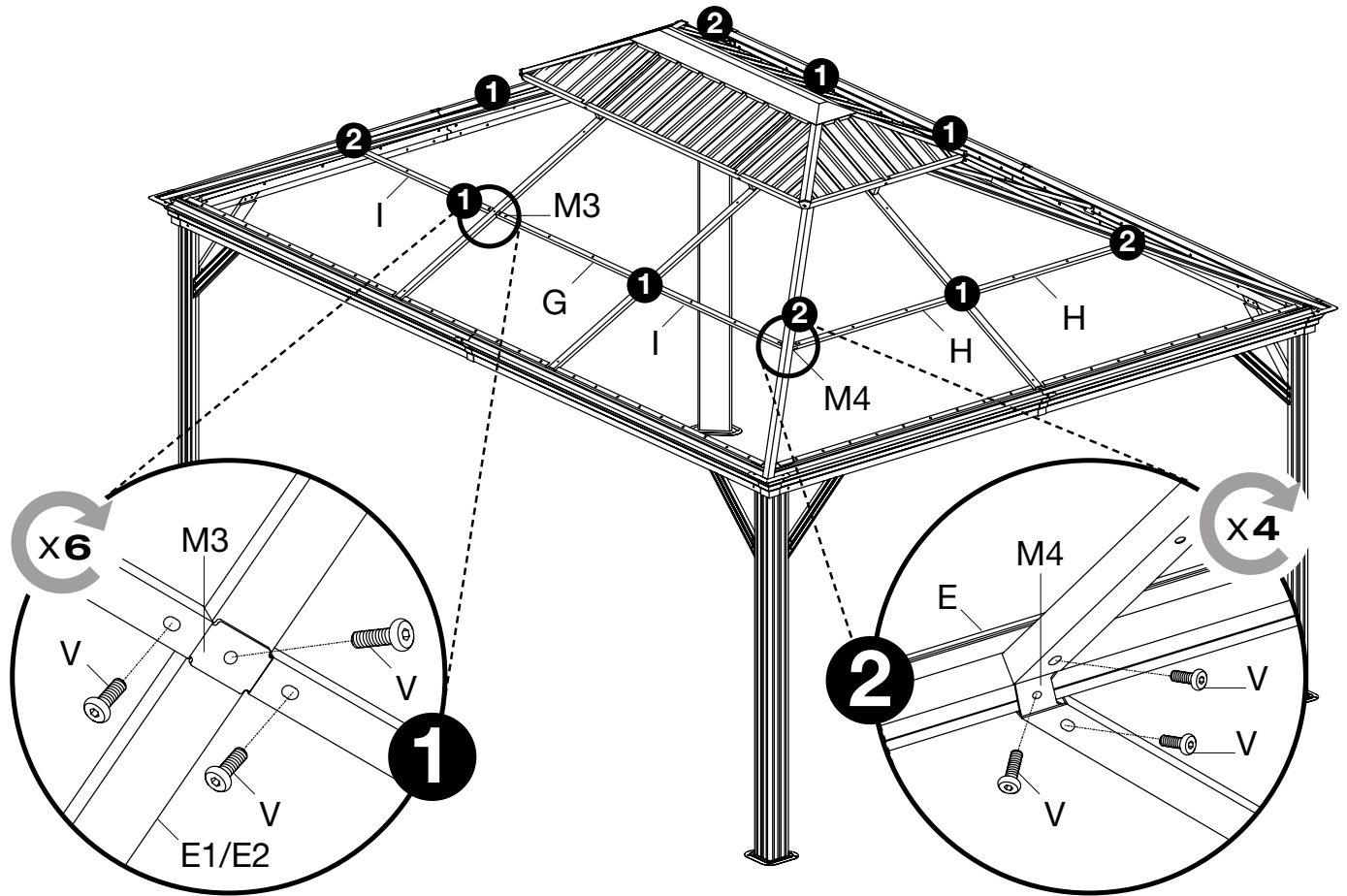
J1x2

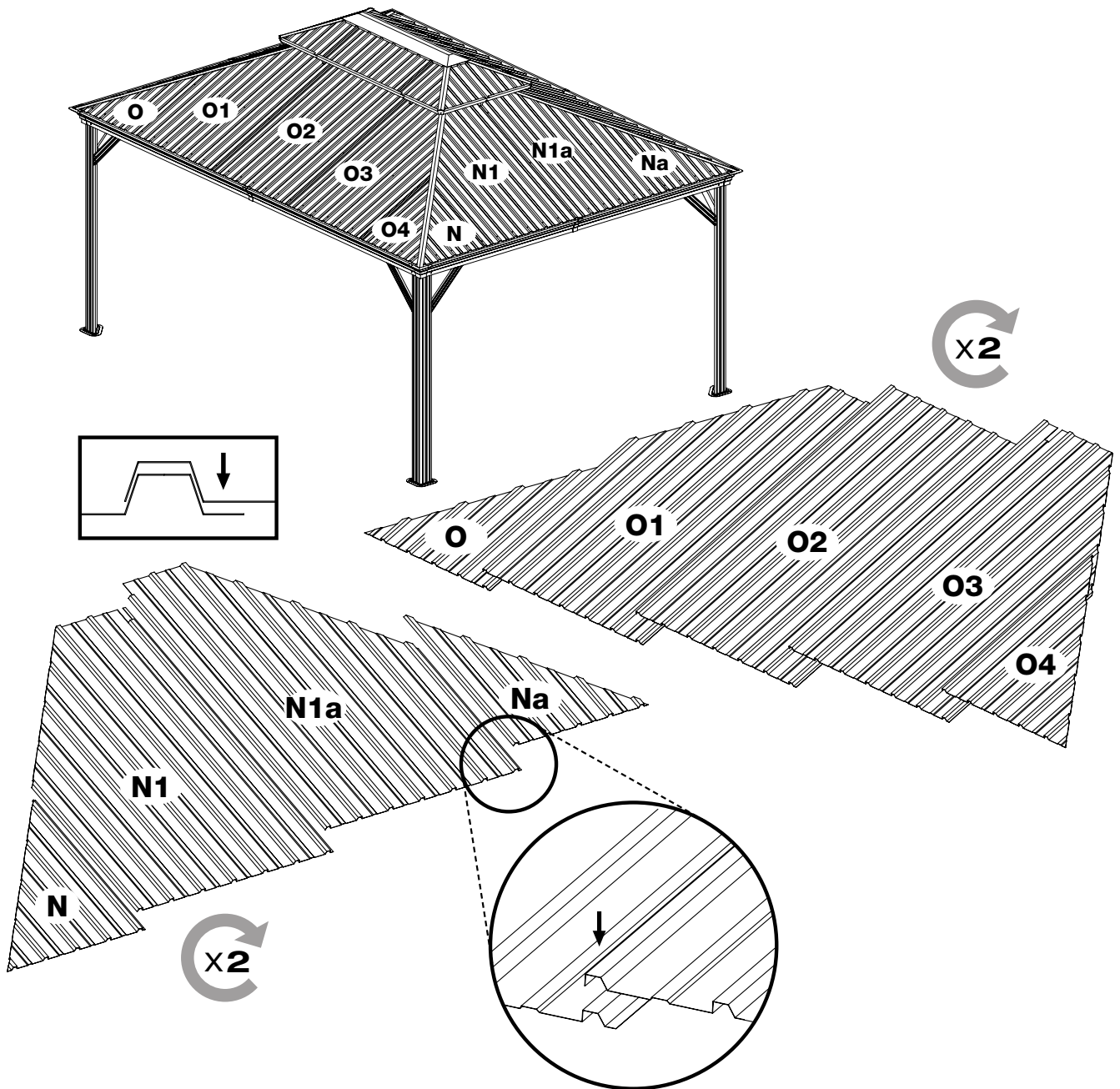
M2 x4

Vx10









N1x2

N1ax2

Nax2

Nx2

M5 x124

Ux2

Ox2

O1x2

O2x2

O3x2

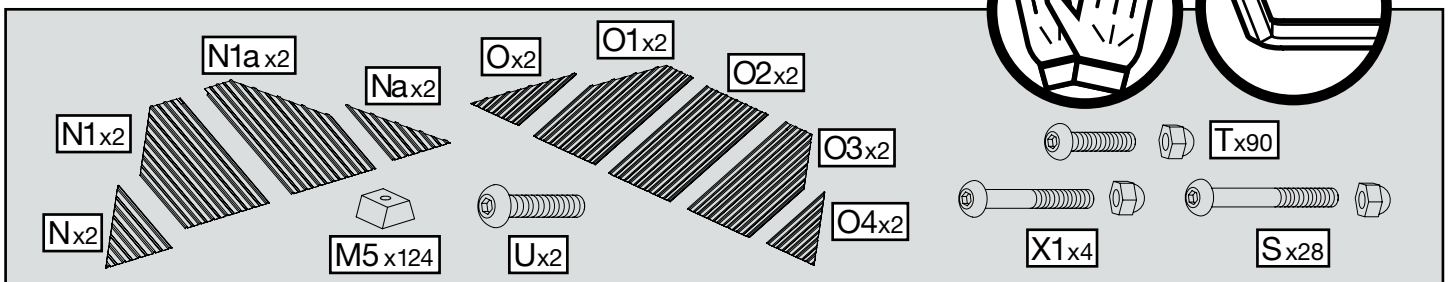
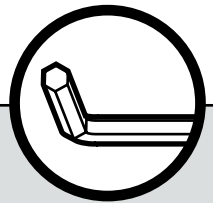
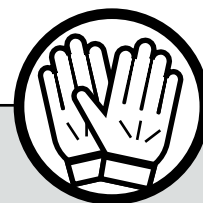
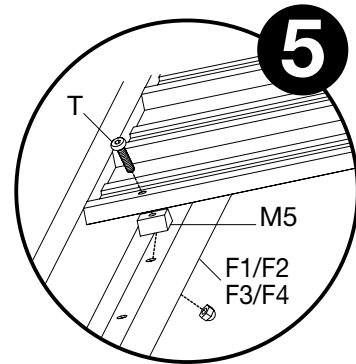
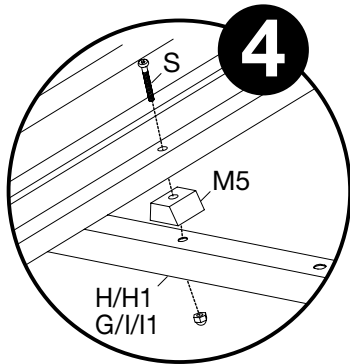
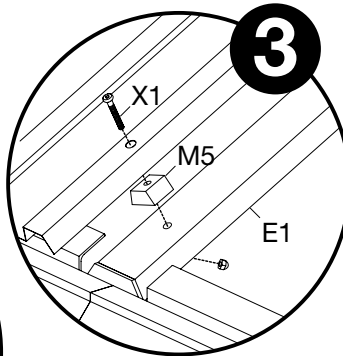
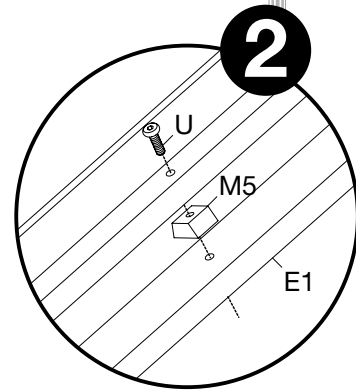
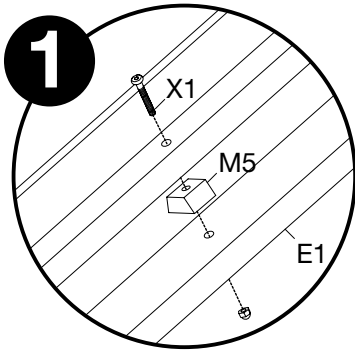
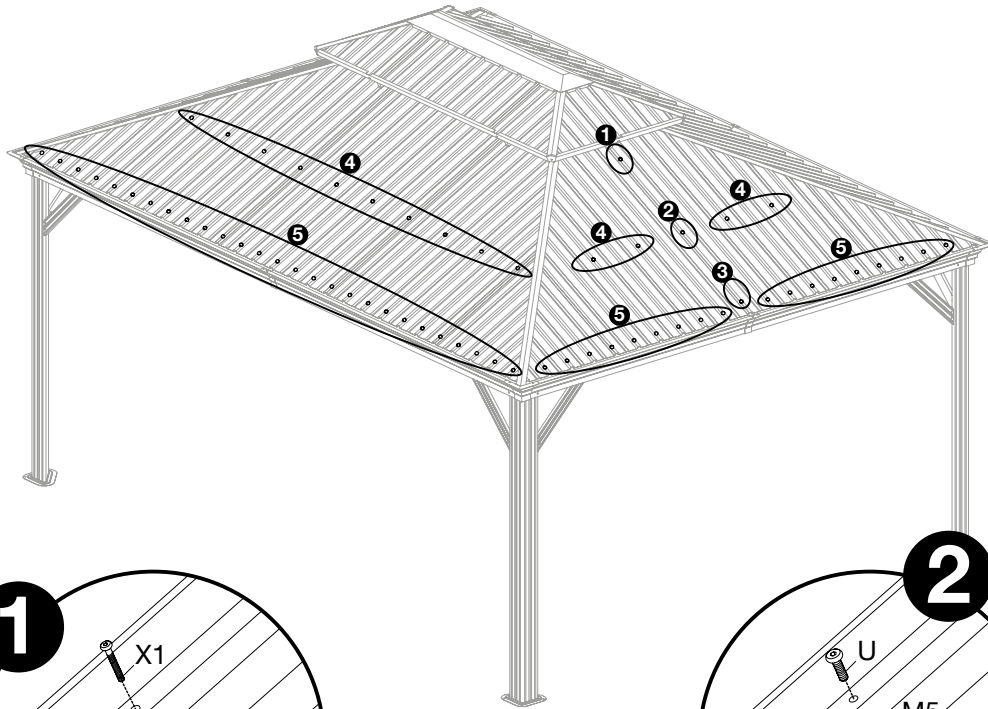
O4x2

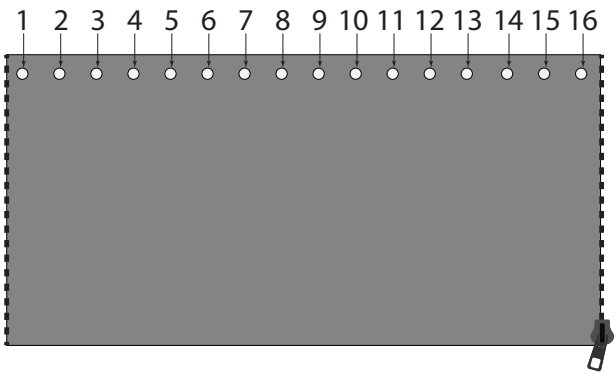
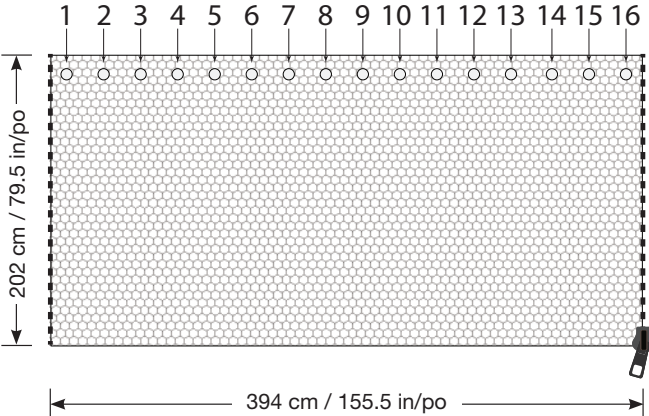
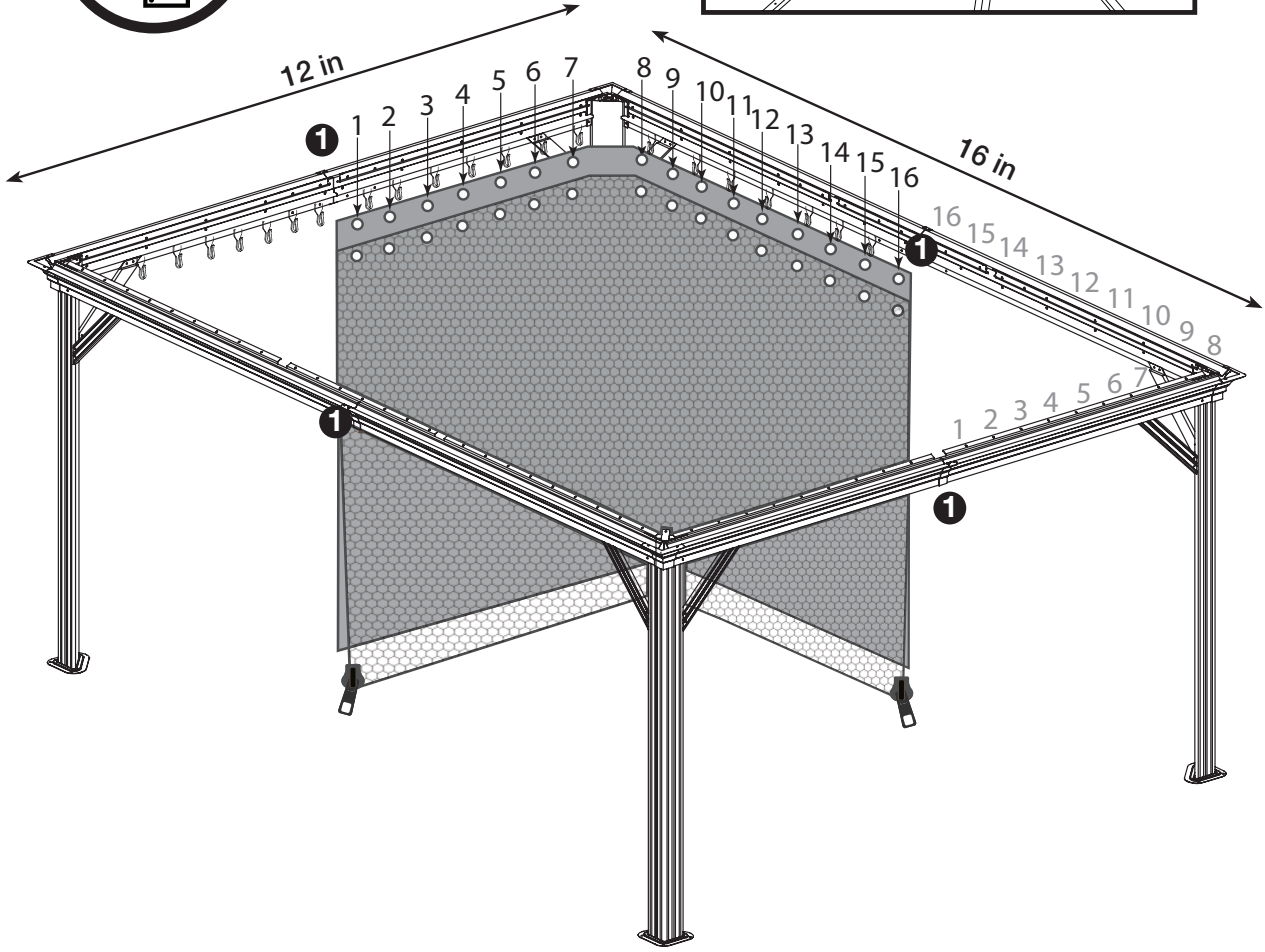
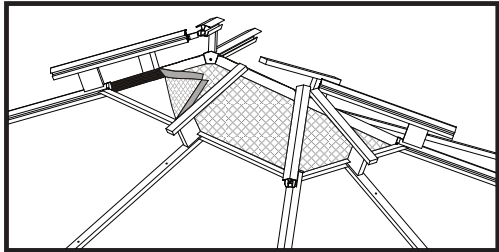
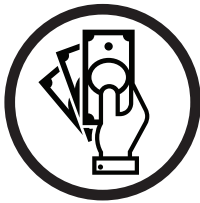
X1x4

Sx28

Tx90

# 19A/20











**Distributed by:**

Costco Wholesale Corporation  
P.O. Box 34535  
Seattle, WA 98124-1535  
USA  
1-800-774-2678  
www.costco.com

**Imported by:**

Costco Wholesale UK Ltd /  
Costco Online UK Ltd  
Hartspring Lane  
Watford, Herts  
WD25 8JS  
United Kingdom  
01923 213113  
www.costco.co.uk

**Imported by /  
Manufactured for:**

Costco President Taiwan, Inc.  
No. 656 Chung-Hwa 5th Road  
Kaohsiung, Taiwan  
Company Tax ID: 96972798  
0800-885-889  
www.costco.com.tw

**Imported by / Importé par :**

Costco Wholesale Canada Ltd.\*  
415 W. Hunt Club Road  
Ottawa, Ontario  
K2E 1C5, Canada  
1-800-463-3783  
www.costco.ca

\* faisant affaire au Québec sous le nom  
Les Entrepôts Costco

**Importado por:**

Costco Wholesale Spain S.L.U.  
Polígono Empresarial Los Gavilanes  
C/ Agustín de Betancourt,17  
28906 Getafe (Madrid) España  
NIF : B86509460  
900 111 155  
www.costco.es

**Imported by:**

Costco Wholesale Japan Ltd.  
3-1-4 Ikegami-Shincho  
Kawasaki-ku, Kawasaki-shi,  
Kanagawa 210-0832 Japan  
044-281-2600  
www.costco.co.jp

**Imported by:**

Costco Wholesale Australia Pty Ltd  
17-21 Parramatta Road  
Lidcombe NSW 2141  
Australia  
www.costco.com.au

**Importado por:**

Importadora Primex S.A. de C.V.  
Blvd. Magnocentro No.4  
San Fernando La Herradura  
Huixquilucan, Estado de México  
C.P. 52765  
RFC: IPR-930907-S70  
(55)-5246-5500  
www.costco.com.mx

**Distributed by:**

Costco Wholesale Iceland ehf.  
Kauptún 3-7, 210 Gardabaer  
Iceland  
www.costco.is

**Imported and  
Distributed by:**

Costco Wholesale Korea, Ltd.  
40, Iljik-ro  
Gwangmyeong-si  
Gyeonggi-do, 14347, Korea  
1899-9900  
www.costco.co.kr

# SOJAG ■ I

produits saisonniers • seasonal products

Made in China  
Fabriqué en Chine  
Hecho en China