

## 2.0m Light-Duty Combination Ladder

---



[Representative image of product]

### Product Description

The light duty combination ladder is a versatile multi-function ladder that can be used as a straight extension, basic A-frame step, extended A-frame step and stairwell ladder that is easy to use and light enough to carry comfortably between jobs.

### Features

- Use as an extension, extended A-frame and stairwell ladder
- Rigid box section stiles
- Wide horizontal stabiliser bar

### Specifications

- Brand: TB Davies
- Warranty: 1-year
- Max Load: 150kg
- Standard: EN131
- Material: Aluminium
- Commodity Code: 76169990
- Country of Origin: IT
- Recommended Usage: Regular

### Common Dimensions

- Rung Depth: 24mm
- Distance Between Rungs: 280mm

### Availability & Delivery

Stock item. Delivery next day.

(See exceptions, if applicable, overleaf)

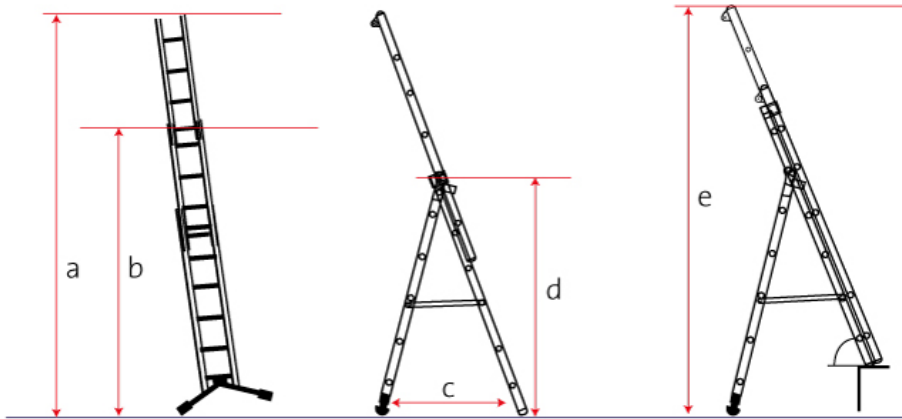
## 2.0m Light-Duty Combination Ladder

### Product Dimensions

SKU	Rungs /Sections	Last Climbing Height (b)	Approx. Working Height <sup>1</sup> (mm)	Extended Length (a) (mm)	Closed Length (mm)	Storage Width (mm)	Storage Depth (mm)	Nett Weight (kg)
1300-310	7 x 3	3160	4760	2020 - 4260	2020	800	150	12.0

SKU	Open Step Depth (c) (mm)	Open Step Height (e) (mm)	Max Step Height (d) (mm)	Approx. Step Working Height <sup>1</sup> (mm)
1300-310	1310	4260	2040	3640

<sup>1</sup> Working height is calculated as 1,600mm plus platform height or last climbing tread, whichever is appropriate. Ladders set at an angle of 75° degrees.



Please note that this drawing is not to scale and may differ slightly from the ladder that you receive.

### Shipping Dimensions

SKU	Barcode	Shipping Length (mm)	Shipping Width (mm)	Shipping Depth (mm)	Shipping Volume (m <sup>3</sup> )	Gross Weight (kg)
1300-310	5060356910724	2020	478	150	0.145	12.0

**Packaging Material:** Polywrap