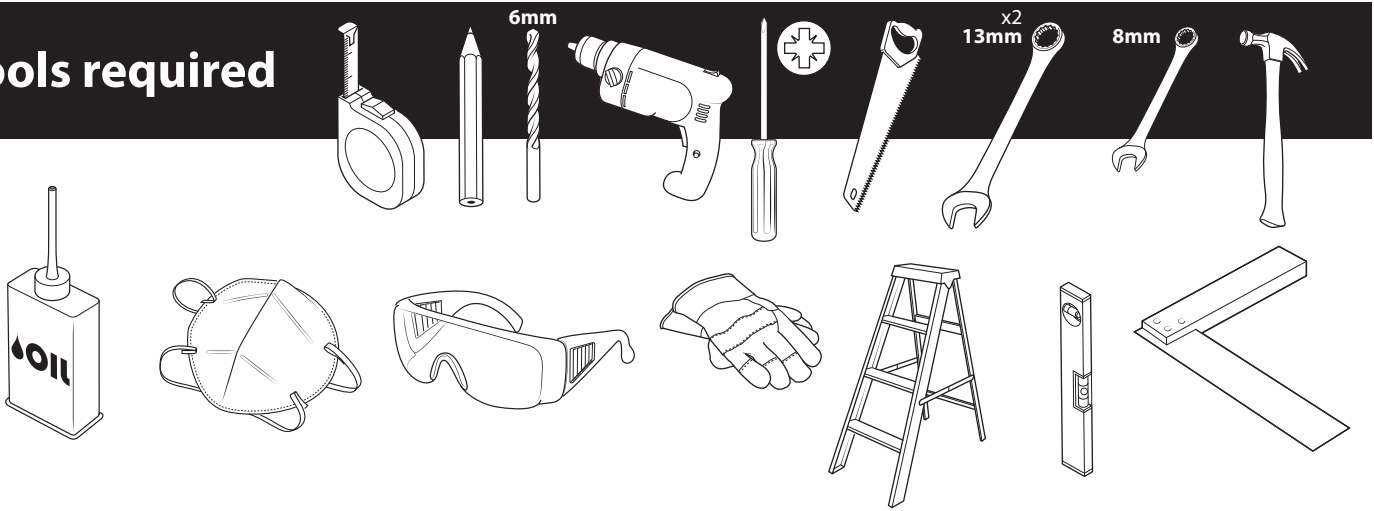




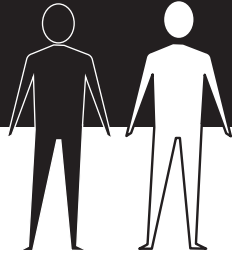
PLEASE WATCH INSTALLATION VIDEO BEFORE STARTING.  
SCAN WITH PHONE OR VISIT:

[HTTPS://WWW.TBDAVIES.CO.UK/LOFT-LADDER-INSTALLATION-VIDEO/](https://www.tbdavies.co.uk/loft-ladder-installation-video/)

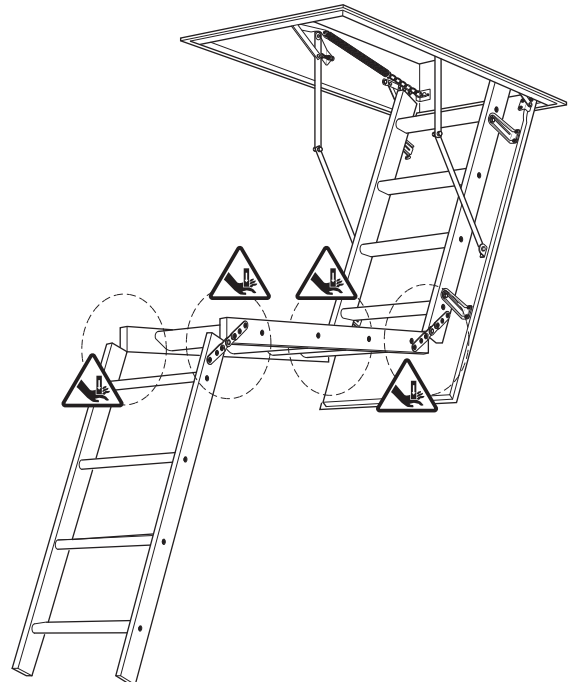
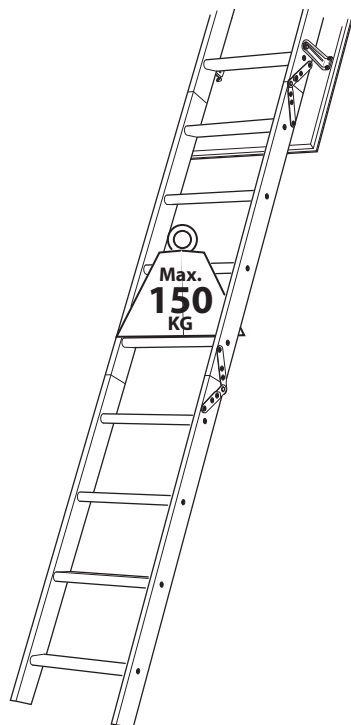
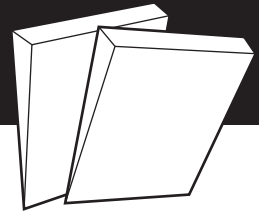
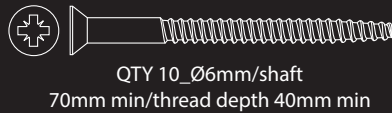
## Tools required



## People needed



## You will also need (not supplied)



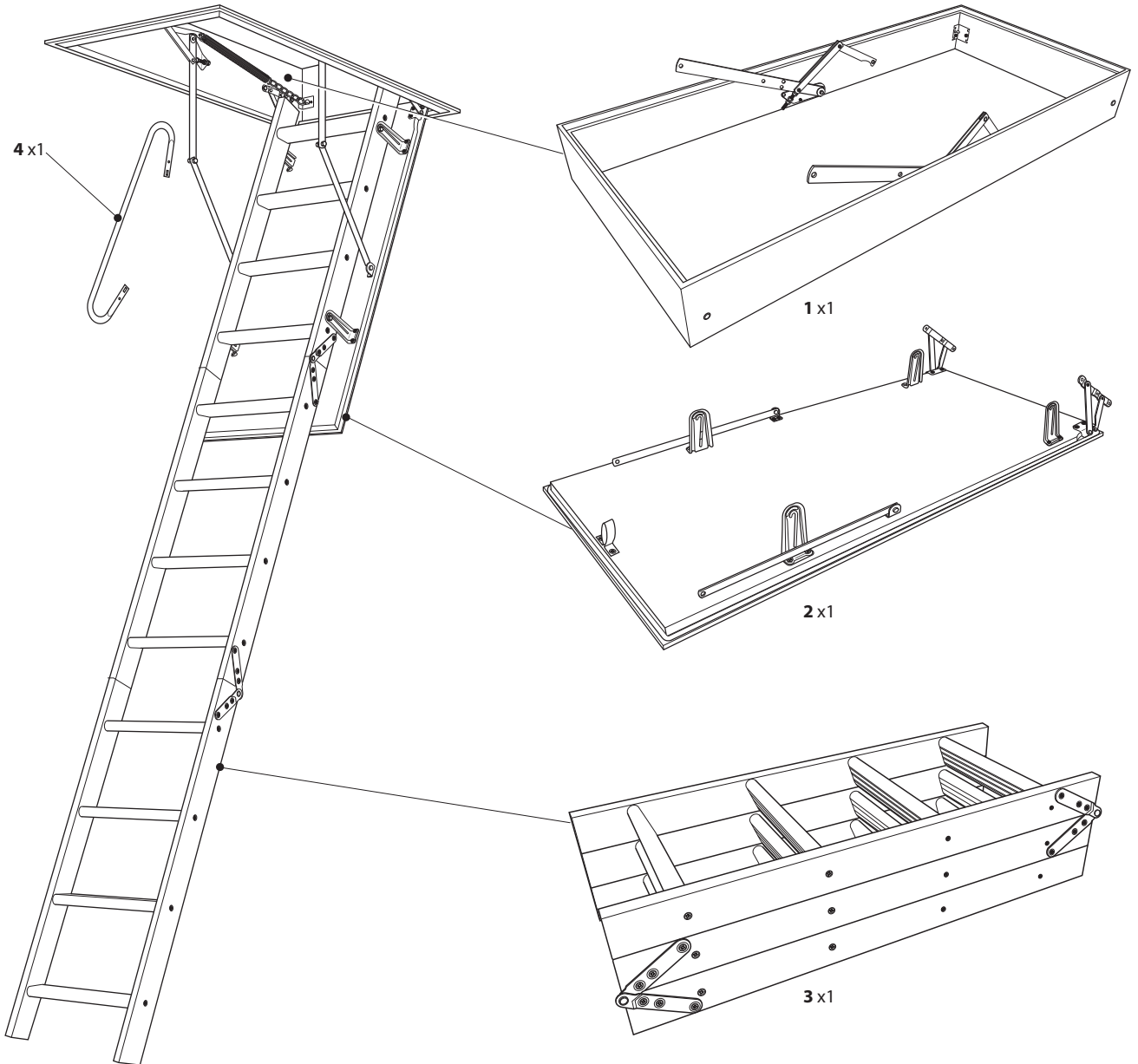
**WARNING!** Please be aware of all the safety warnings and be sure that you fully understand them before handling the product.

It would be advisable to watch the TB Davies Loft Ladder installation video prior to fitting. This can be found on [www.tbdavies.co.uk/loft-ladder-installation-video](http://www.tbdavies.co.uk/loft-ladder-installation-video).

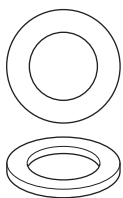
Please note the video shows the Envirofold installation. However, many of the steps are common across the range of loft ladders. Features may vary from the model you have purchased. If you have any doubt about fitting the ladder yourself, please consult a professional.



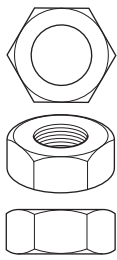
# Whats in the box



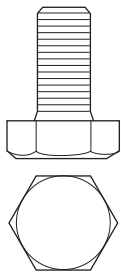
## Actual size



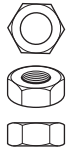
A x2



B x2



C x2



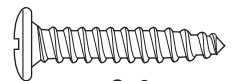
D x8



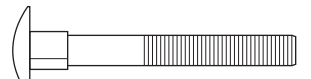
E x6



F x2



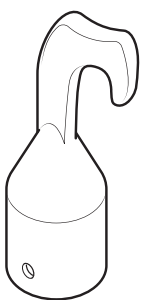
O x2



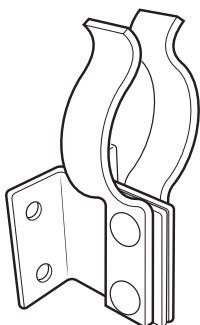
G x6



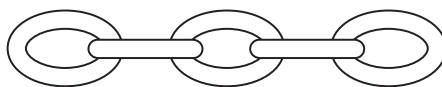
H x2



I x1



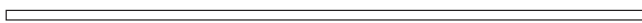
J x1



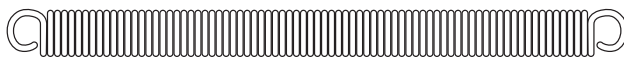
K x2



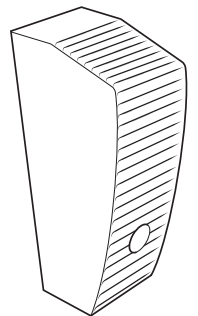
L x2



M x1



N x2



P x2



## Please read contents carefully

### IMPORTANT NOTICE

This loft ladder was manufactured in accordance with international safety regulations and conforms to EN14975, a European safety standard for loft ladders. Please familiarise yourself with these instructions BEFORE commencing with the installation.

We also recommend you understand the steps involved in fitting this loft ladder by watching a demonstration of the installation process on the following link - <https://www.tbdavies.co.uk/loft-ladder-installation-video/> These instructions contain important and essential steps on installation and safety when using your loft ladder. Keep these in a safe place for future reference.

Manufacturer and seller shall bear no liability for failure to comply with the applicable law, building codes and safety requirements by the user of the product, architect, fitter and owner of the building.

The loft ladder is clearly identified on the ID label on the inside of the loft hatch. This shows the Manufacturers Part Number (MPN), EAN Barcode and Date of Manufacture.

### INSTALLATION & TIPS

Begin by unpacking the loft ladder and identify all the pieces against the instructions.

Ensure the loft ladder is not damaged during transport. If damaged, please contact our sales team on 029 2132 0000.

Ensure safe access to your loft space and, if necessary, a safe working platform is available before attempting to install.

Ensure adequate lighting, particularly where detailed or intricate work, is required.

We recommend using goggles and a mask to protect you from dust and other particles generated from fitting the loft ladder.

Ensure the loft ladder fits your loft space and ceiling height of the room below. The maximum floor to ceiling height is 2.8m (9ft 2 inches). The maximum weight capacity is 150kg, which includes the person and any items carried.

Carefully clear the area where the loft ladder is being installed to ensure that you are screwing the frame into joists and not metal, cables or pipework. Ensure that electrical cabling or pipework is not hidden. Consider laying planks of wood to take your weight to avoid falling through the ceiling.

If your joists are not made from timber, please seek specialist advice.

Depending on the size of your loft opening, you may require spacer blocks to ensure a tight fit. Ensure that the frame is level and squarely fitted, otherwise, it will not operate correctly.

We recommend fitting temporary battens to support the loft ladder during installation.

Ensure that you **DO NOT** cut through a load-bearing joist.

Safe operation of this loft ladder can only be guaranteed if correctly installed. If you do not feel qualified to fit, you should stop now and contact a professional.

### GENERAL SAFETY

This loft ladder is not intended for use by children or those with reduced sensory, physical or mental capabilities.

Ensure that the loft ladder is not left open and unattended when not in use.

Care should be taken to ensure that boxes and items being carried into the loft space do not cause you to lose your footing or balance.

Familiarise yourself with the pinch points to avoid personal injury.

Only climb the loft ladder when fully installed, and the frame is securely fixed to the joists. Failure to do so could result in personal injury.

NOTE: that the springs are tensioned when in position. Care should be taken to ensure that the bolts are secured and not loose.

Never force the door to open or to pull the loft ladder section down. This could damage the integrity of the loft ladder and cause personal injury.

Note that the loft ladder is designed to be permanently fixed in place but is not designed to act as a main thoroughfare between floors. It is for occasional use into your loft space.

We recommend installing the TB Davies Balustrade Kit to secure the loft opening and prevent falls into the space below.

### BEFORE USE

Check the following:

- The treads and stiles are not split
- The screws/nuts/bolts are secure and not loose
- The hatch opens/closes without any resistance or interference and does not catch on the frame
- Check metal parts are not corroded or damaged
- Ensure that you annually lubricate all metal moving parts
- Ensure that the ladder section is not warped or damaged

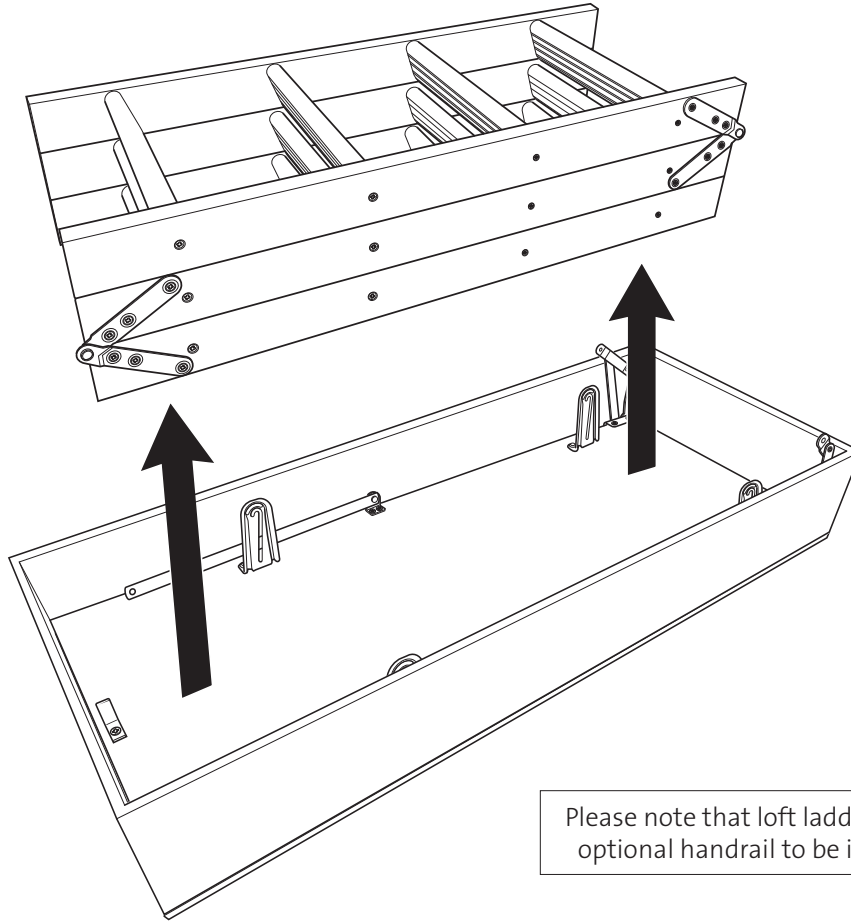
### FURTHER HELP

If you require any further advice or assistance please visit [www.tbdavies.co.uk](http://www.tbdavies.co.uk) or email [support@tbdavies.co.uk](mailto:support@tbdavies.co.uk) or call our technical support helpline on 029 2132 000.



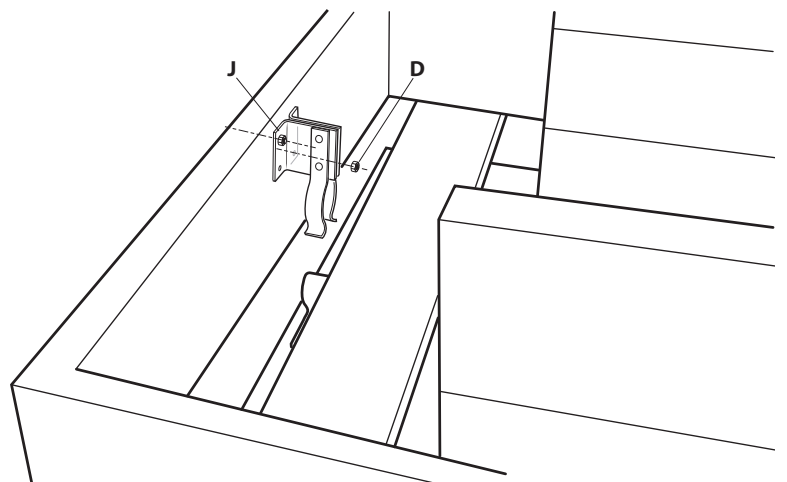
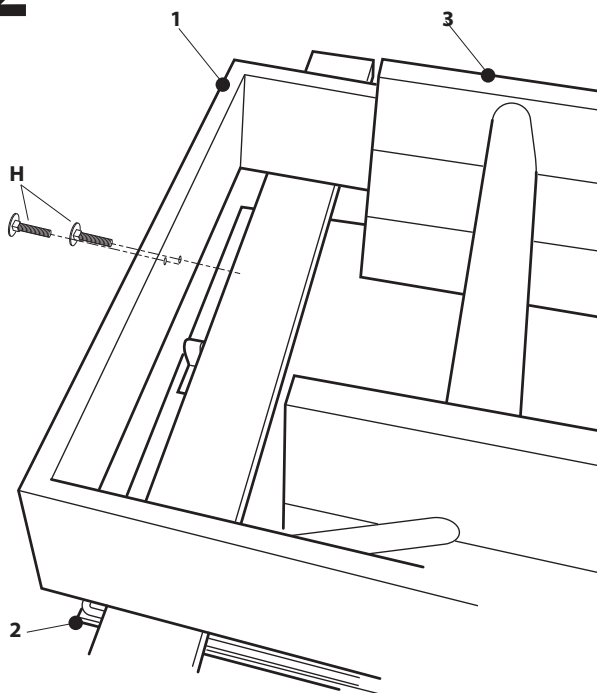
# Assembly

## 1



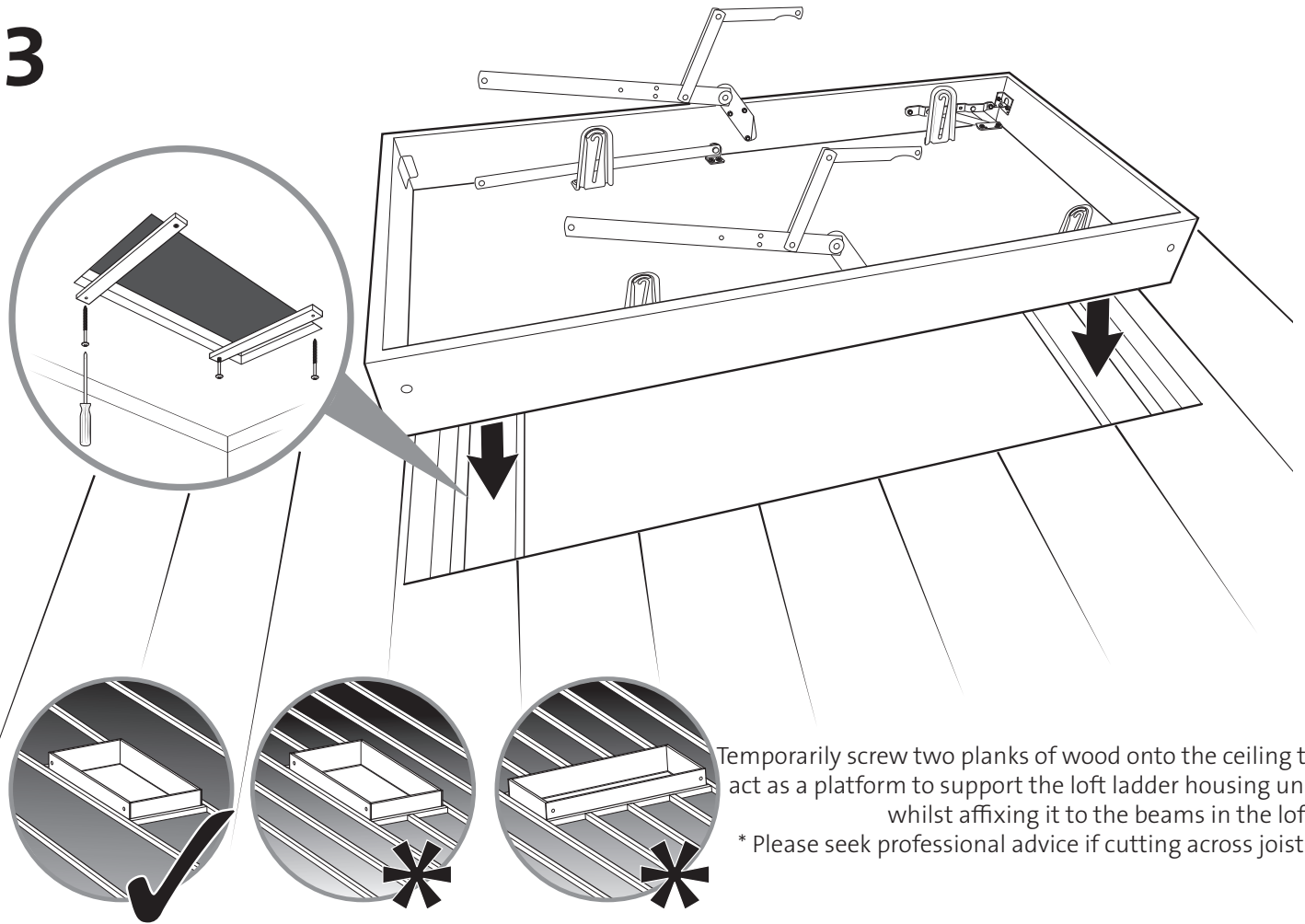
Please note that loft ladder is offset to allow the optional handrail to be installed into position.

## 2



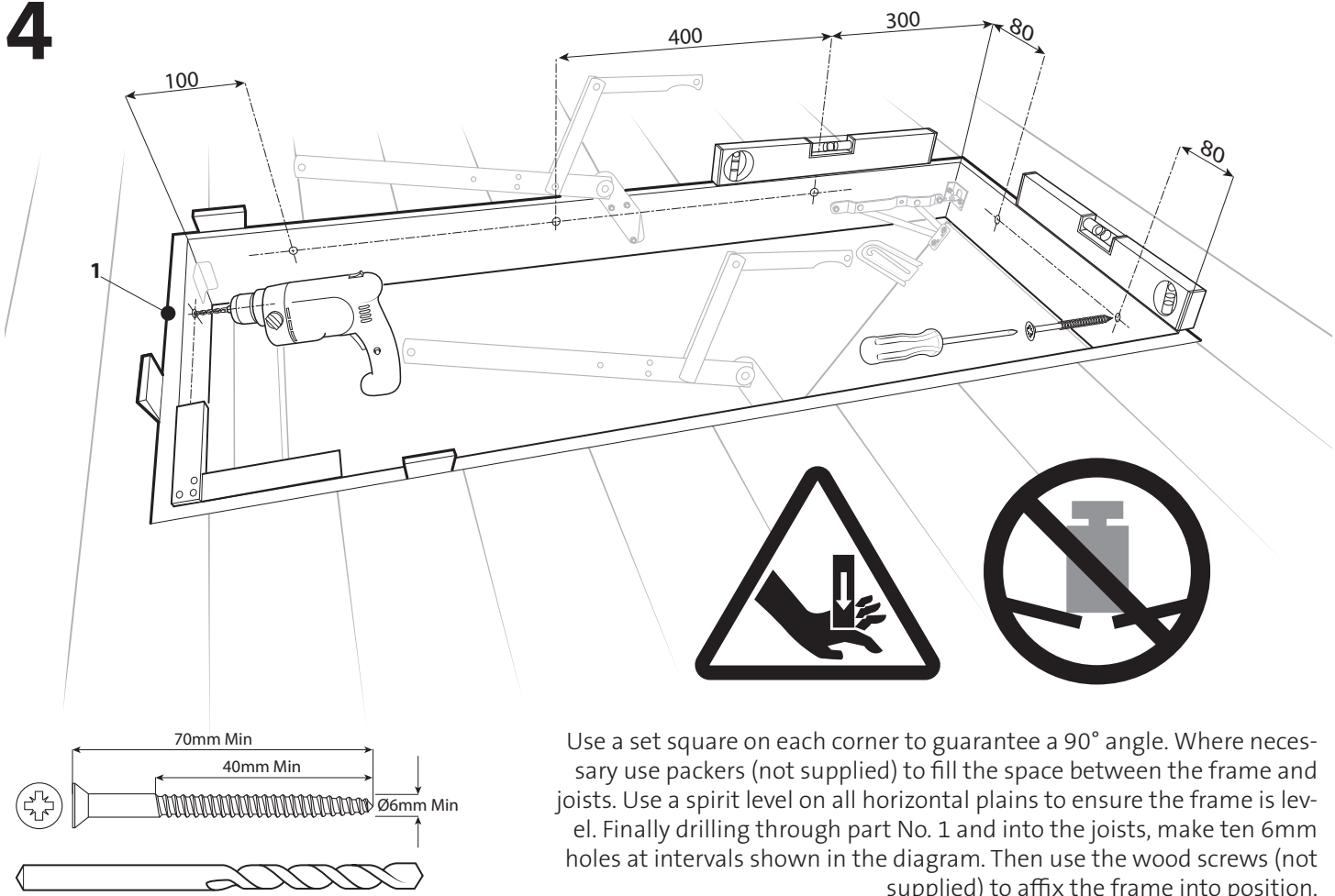
Use a hammer to tap coachbolts 'H' into position. Place part 1 on top of base board 3 separated by an off-cut of wood

# 3



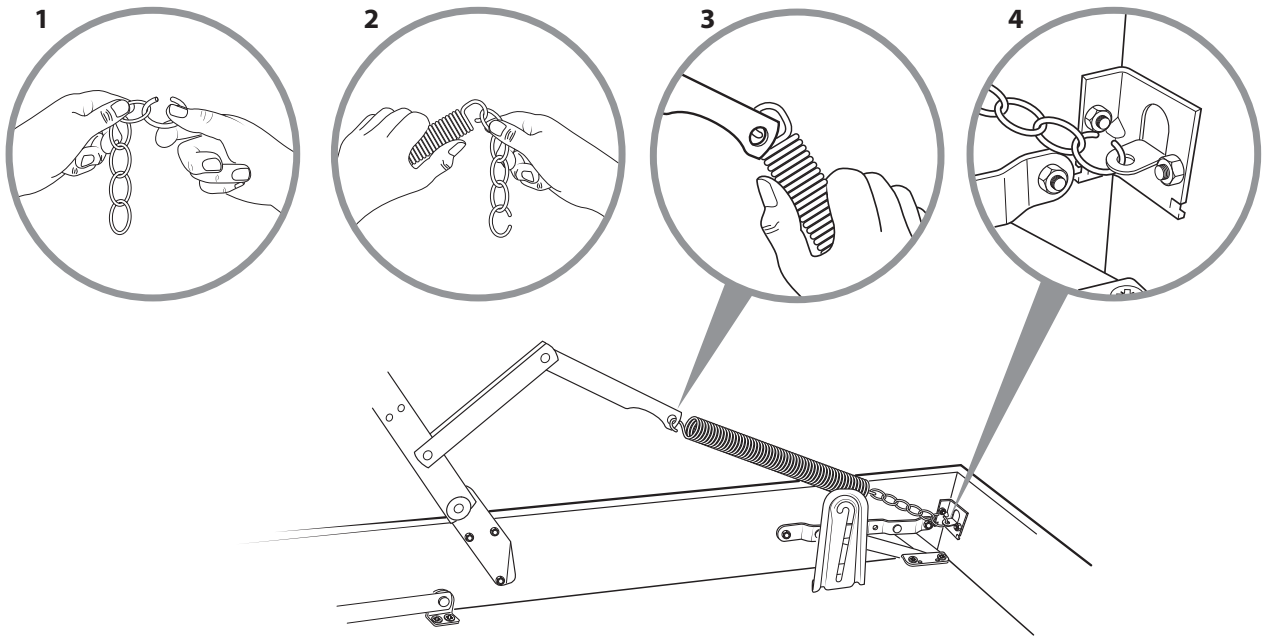
Temporarily screw two planks of wood onto the ceiling to act as a platform to support the loft ladder housing unit whilst affixing it to the beams in the loft.  
\* Please seek professional advice if cutting across joists.

# 4



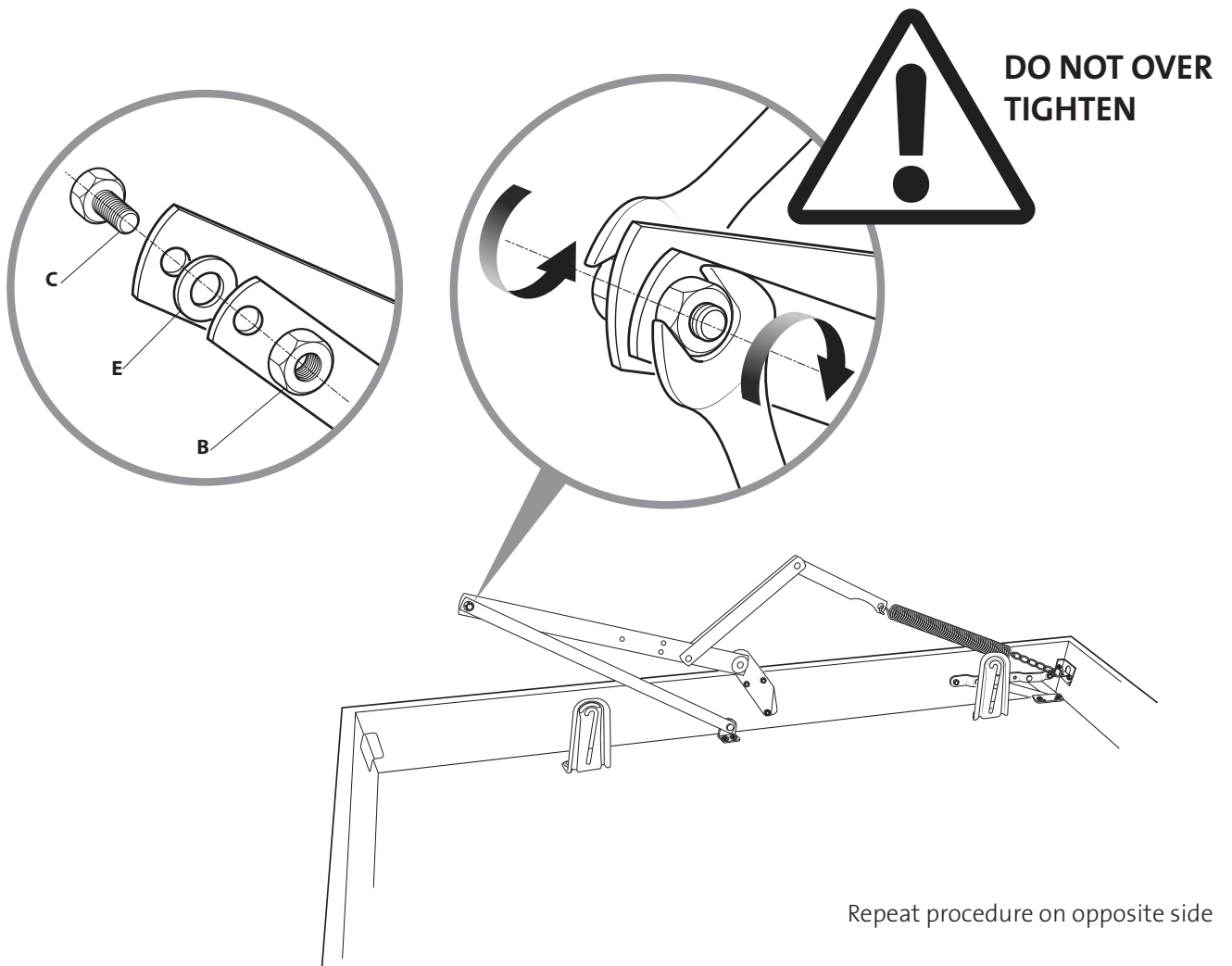
Use a set square on each corner to guarantee a 90° angle. Where necessary use packers (not supplied) to fill the space between the frame and joists. Use a spirit level on all horizontal plains to ensure the frame is level. Finally drilling through part No. 1 and into the joists, make ten 6mm holes at intervals shown in the diagram. Then use the wood screws (not supplied) to affix the frame into position.

# 5



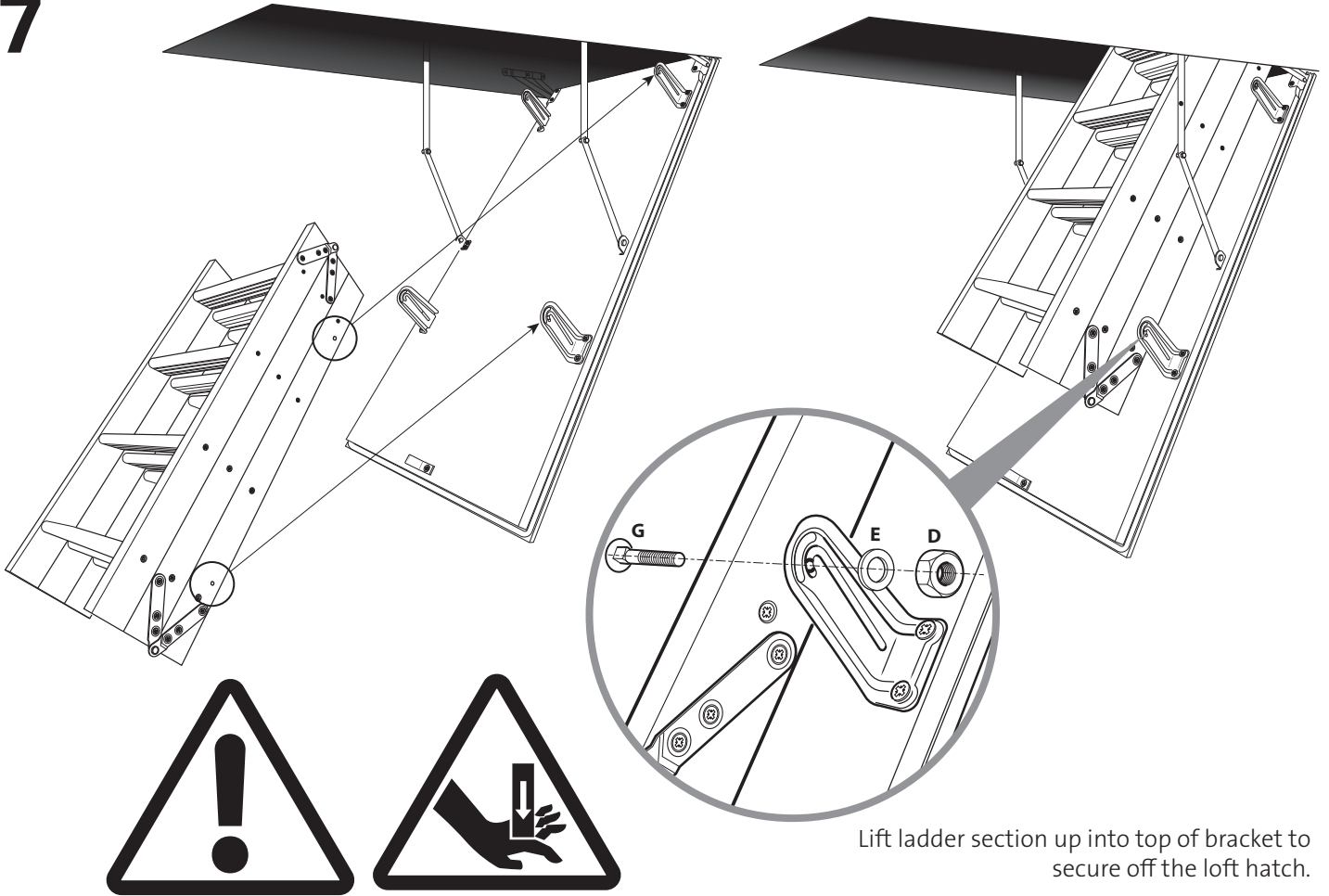
Repeat procedure on opposite side

# 6



Repeat procedure on opposite side

7

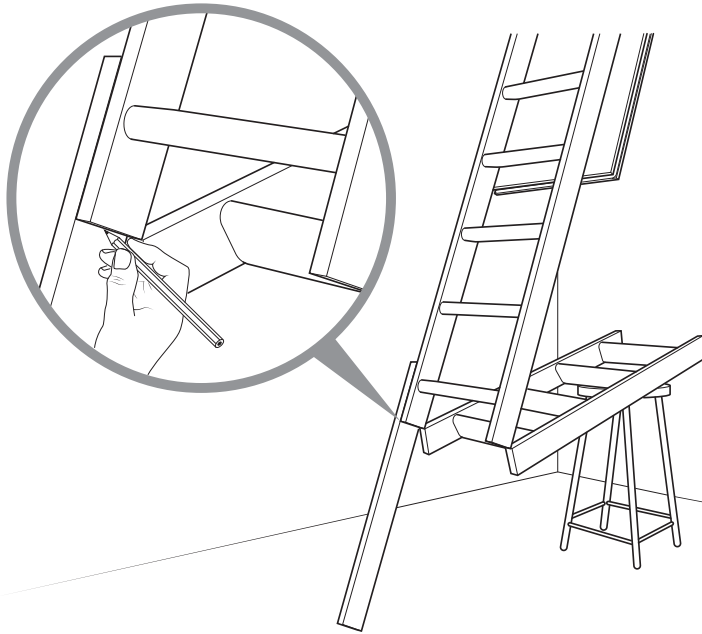


Lift ladder section up into top of bracket to secure off the loft hatch.

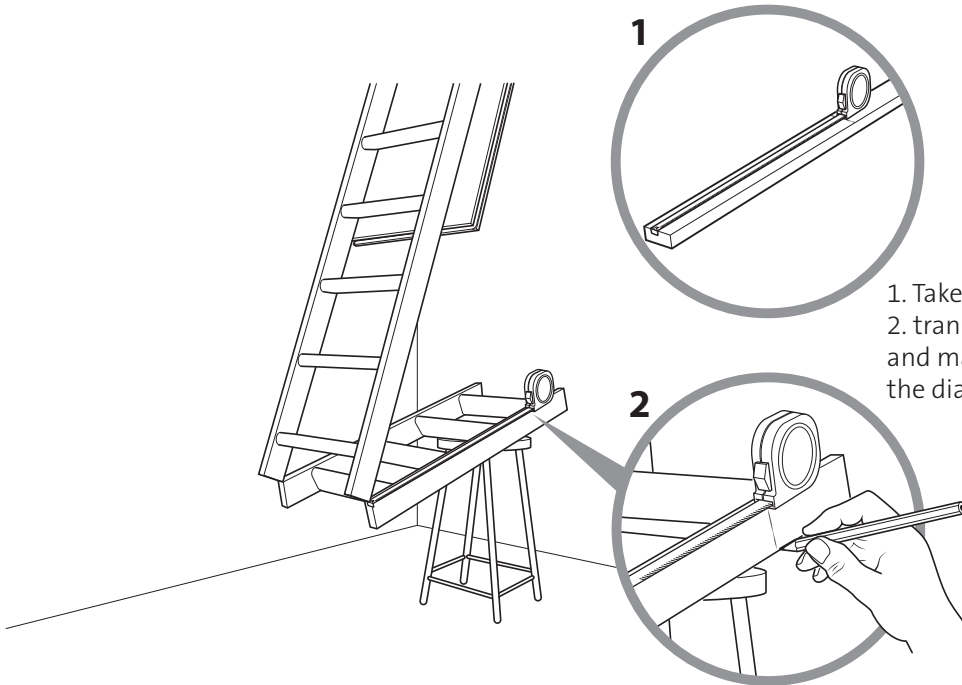
Repeat the fixings on all four posts



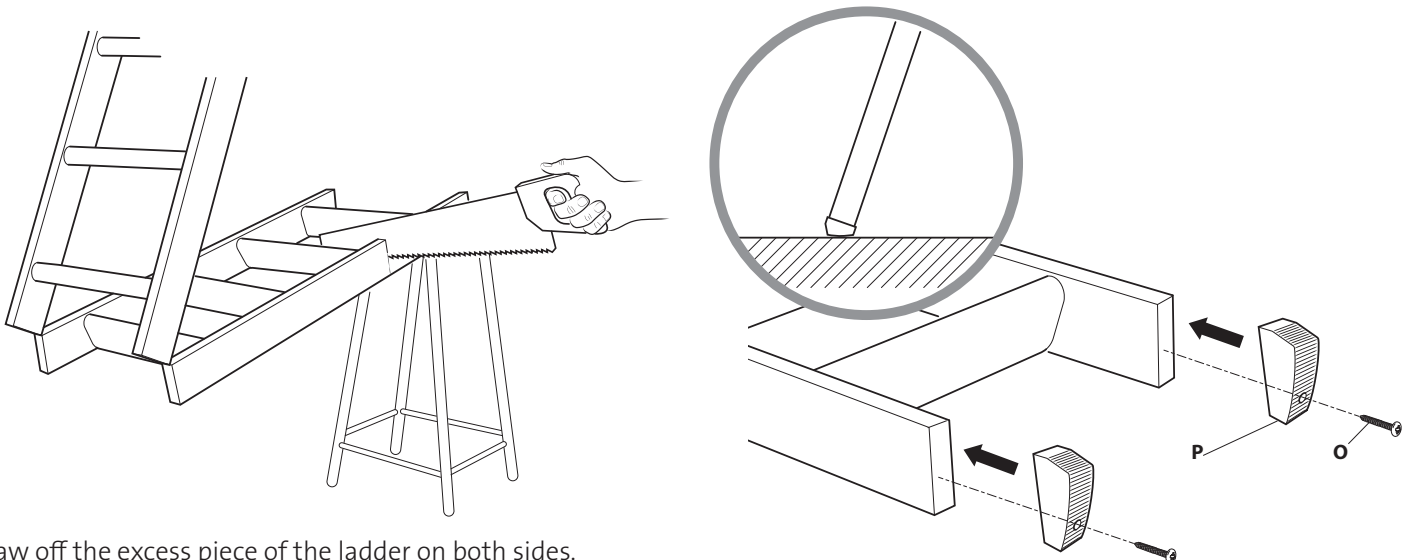
8



Align an off-cut of wood against the 2nd segment, at the same angle as the ladder, making sure the ends of the ladder rests on the ground. Make a mark on the off - cut as per diagram.



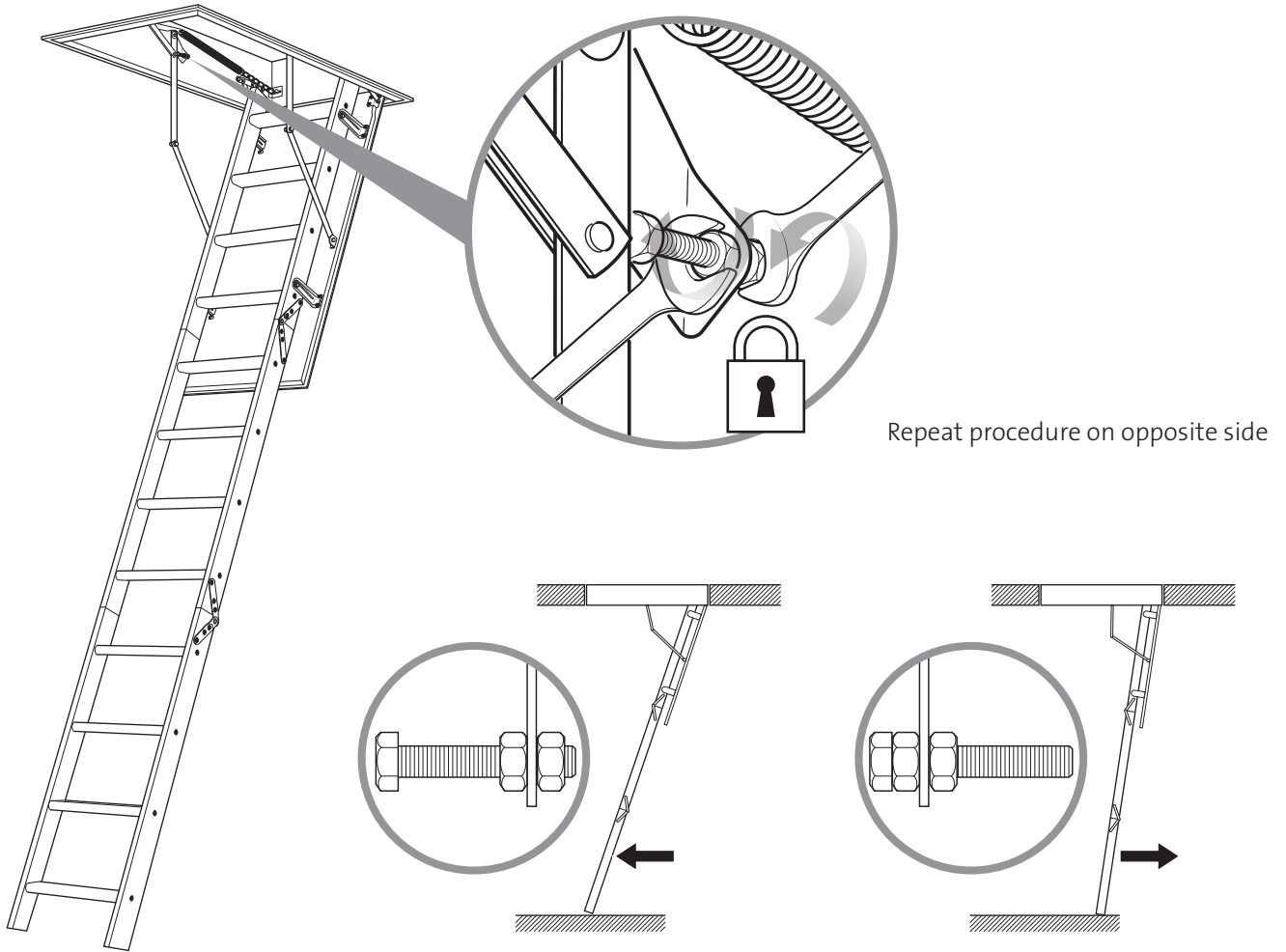
1. Take note of the measurement, and  
2. transfer it to the 3rd ladder segment and make a mark on both legs as per the diagram.



Saw off the excess piece of the ladder on both sides.

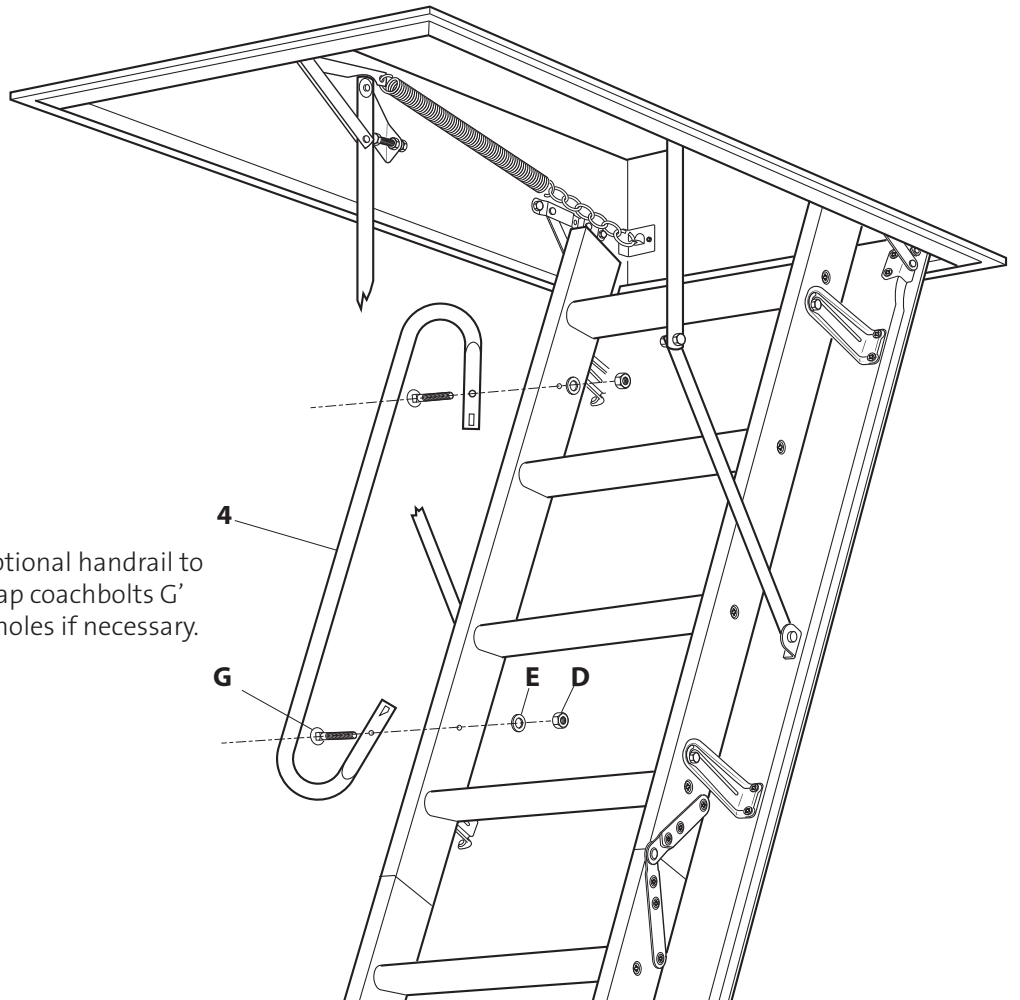
Attach the two rubber feet to the base of each leg.

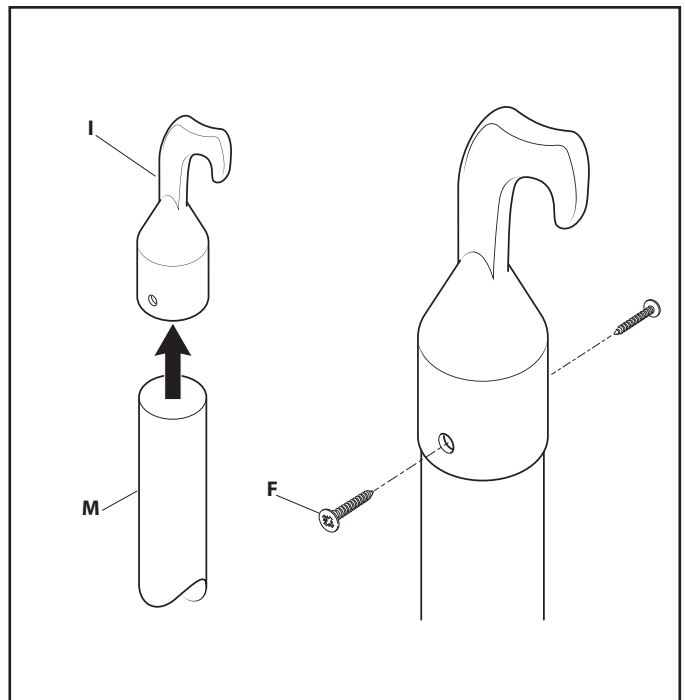
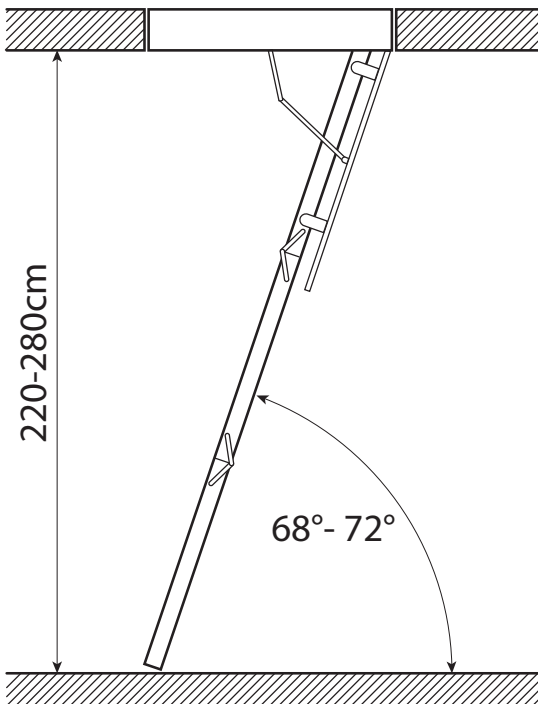
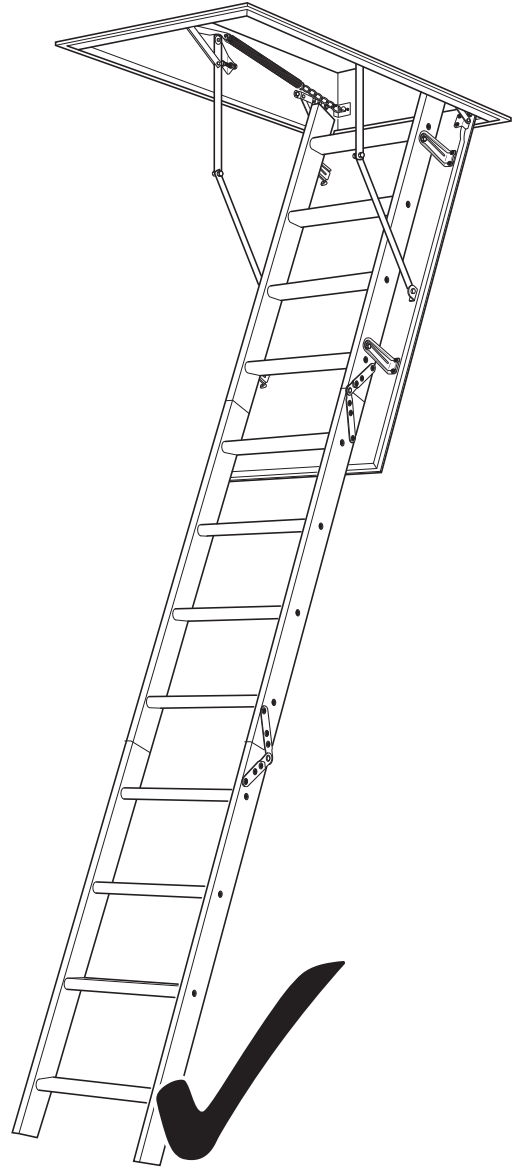
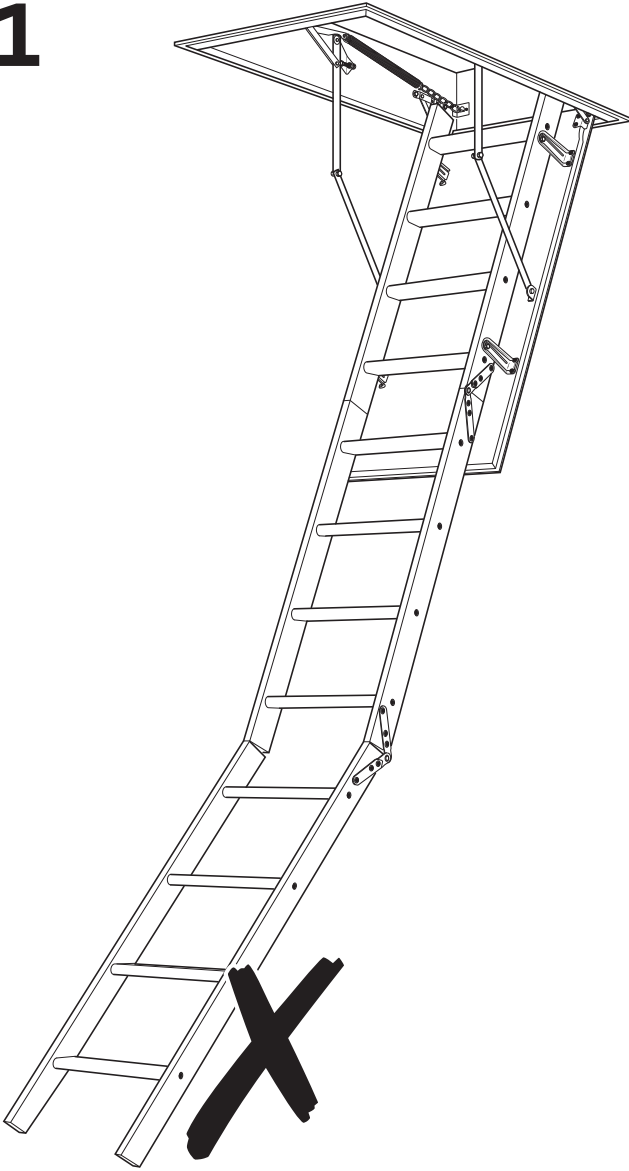
# 9



# 10

Loft ladder is offset to allow the optional handrail to be installed into position. Gently tap coachbolts G' with hammer into the pre-drilled holes if necessary.







**NEED HELP?**  
**Please call us on**  
**029 2132 0000**

Dealer Stamp

Manufacturer and seller shall bear no liability for failure to comply with the applicable law, building codes and safety requirements by the user of the product, architect, fitter and owner of the building.

TB Davies (Cardiff) Ltd, Lewis Road, Cardiff, CF24 5EB. +44(0)29 2132 0000 www.tbdavies.co.uk. Registered in England No. 00534073, VAT Reg No. GB134144207 Awarded Silver by Investors in People, 2018. An ISO 9001 Registered Company. Members of the Ladder Association and PASMA.