

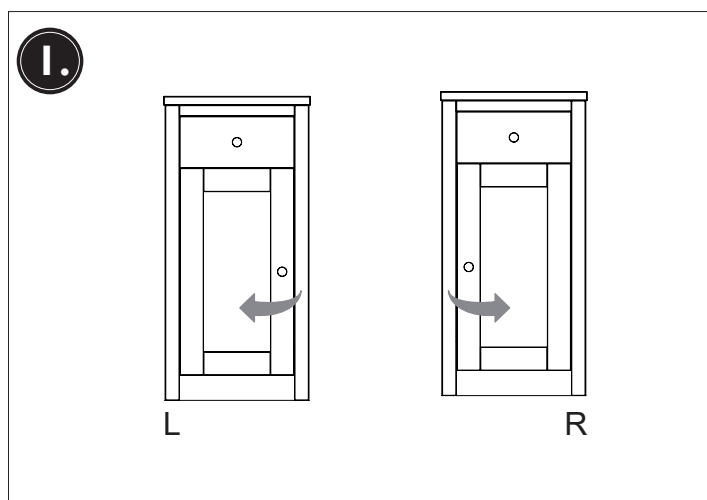
LANSDOWN 400 CLOAKROOM UNIT

INSTALLATION & AFTERCARE INSTRUCTIONS

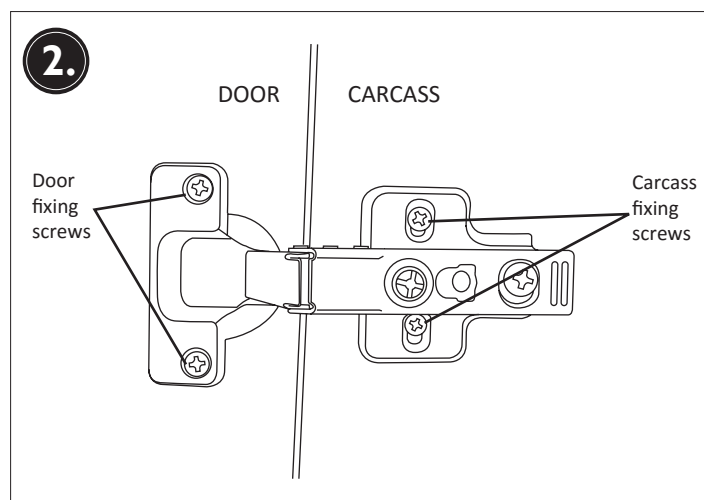
Before installation

It is recommended that the unit and basin are secured to a suitably reinforced wall to ensure stability. This can be done through the back rail (fixings not included).

Door reversing



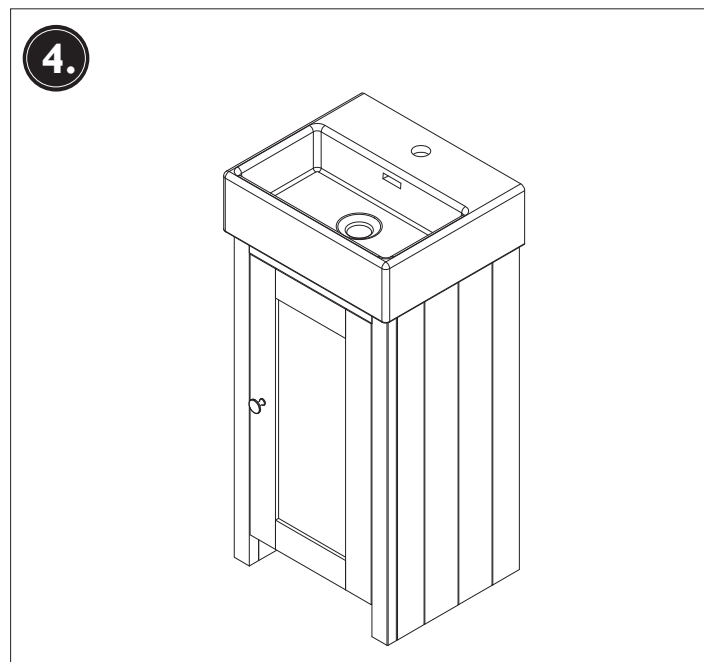
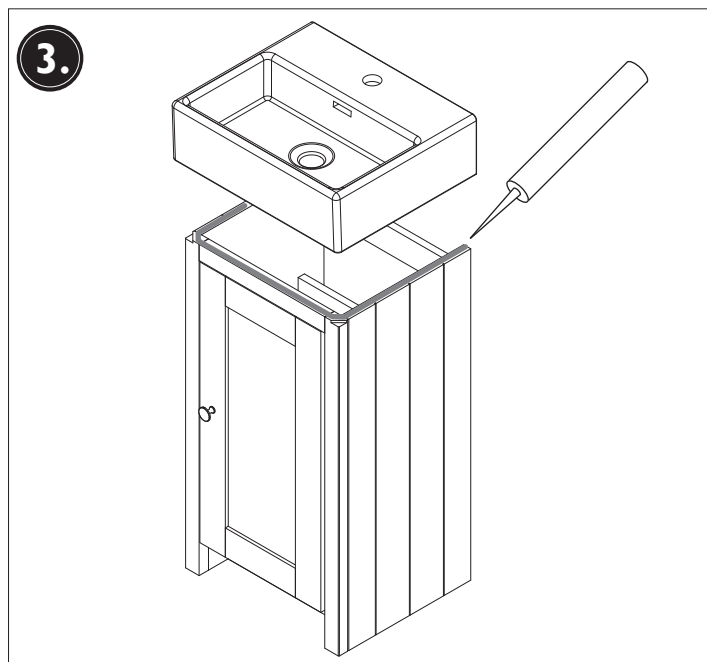
Depending on the intended location of the unit, you have the option of choosing whether you want a left or right hand opening door.



Choose the desired handing and fix hinges to the door and then the carcass. Holes are also provided on both ends of the door for the badge attachment to be fitted once the desired handing is chosen.

Basin installation

Once the basin has been test fitted and plumbed in, finish by securing the basin to the unit using a silicone sealant (not supplied).



LAN400C

TAVISTOCK

LANSDOWN 400 CLOAKROOM UNIT

Furniture Care Instructions

As with all wooden furniture, this product should be treated with care.

We recommend...

Wipe away any water splashes or condensation after use. Excessive exposure to water will deteriorate the furniture.

All bathrooms should be well ventilated with a suitable extractor fan.

Clean with a soft damp cloth only.

Use a wax free polish if one must be used.

For removal of lime scale deposits use a suitable proprietary cleaner. If necessary test on an inconspicuous area first.

Please DO NOT...

Do not scrub or scour.

Do not use abrasive cleaning agents.

Aftercare

Should you require any fitting advice or spare parts for this product please contact Tavistock Bathrooms using the contact details below.