

# TECHNICAL DATA SHEET

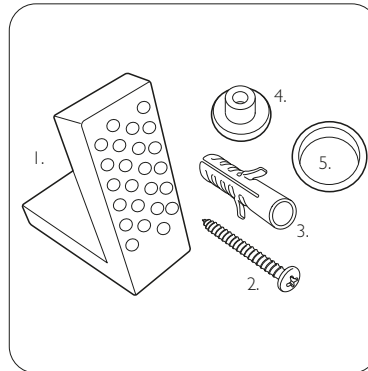
Harrogate Closed Coupled Open Back WC - CT1501



NO.	Description	Fixings included	Gross Weight
1	Close Coupled Cistern	YES	15.5KG
2	White Toilet Seat	YES	4.4KG
3	Open Back WC	YES	26KG



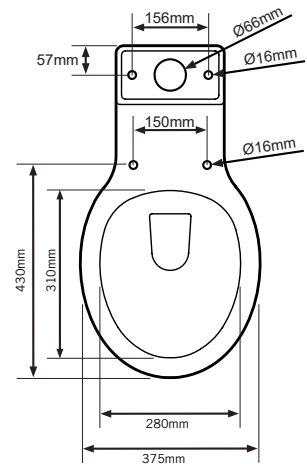
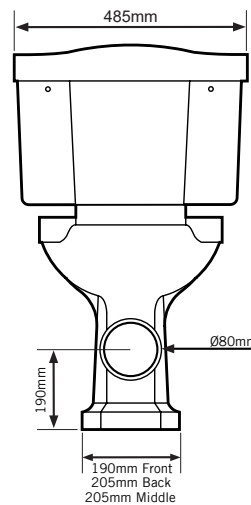
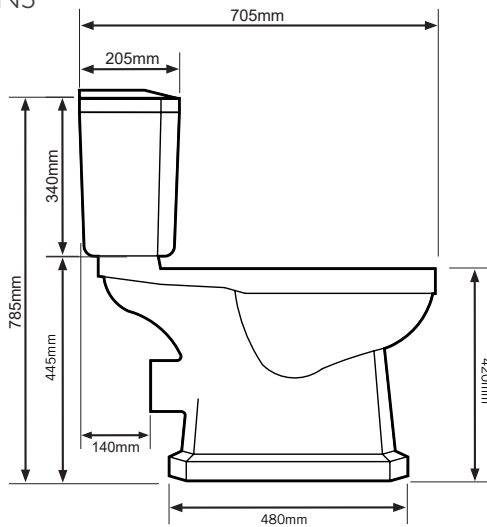
### Floor Fixings



- 1. 2x Nylon Floor Bracket
- 2. 4x Stainless Steel Screws
- 3. 2x Nylon Screw Plugs
- 4. 2x Nylon Screw Collars
- 5. 2x Nylon Collar Caps (Metalic Finish)

Spare Code: SP14211

## DIMENSIONS



DIAGRAMS NOT TO SCALE | ALL DIMENSIONS IN MM TOLERANCE OF ± 5MM  
ALL PRODUCTS CONFORM TO BRITISH STANDARDS

\*Dimensions are subject to change, customers are advised to measure actual product before commencing installation.  
\*\*Fixing point dimensions are for guidance only. The positions of fixings must be checked when product is received.

## FAQs

Q - Where is the inlet valve?  
A - Bottom inlet, back right of the pan.

Q - What is the flush volume?  
A - 6/4L

Q - Can this pan be used with a side connection outlet pipe?  
A - Yes

Q - Rim type?  
A - Box rim

Key Dimensions Descriptions	Key Dimensions (mm)
Front to Back Footprint	480mm
Left to Right Footprint	205mm
Bowl Front to Back	310mm
Bowl Left to Right	280mm
Pan Height (+Cistern)	445mm (785mm)
Pan Overall Front to Back	705mm
Centre Waste Outlet to Floor	190mm
Distance from Spigot to back of Pan	140mm