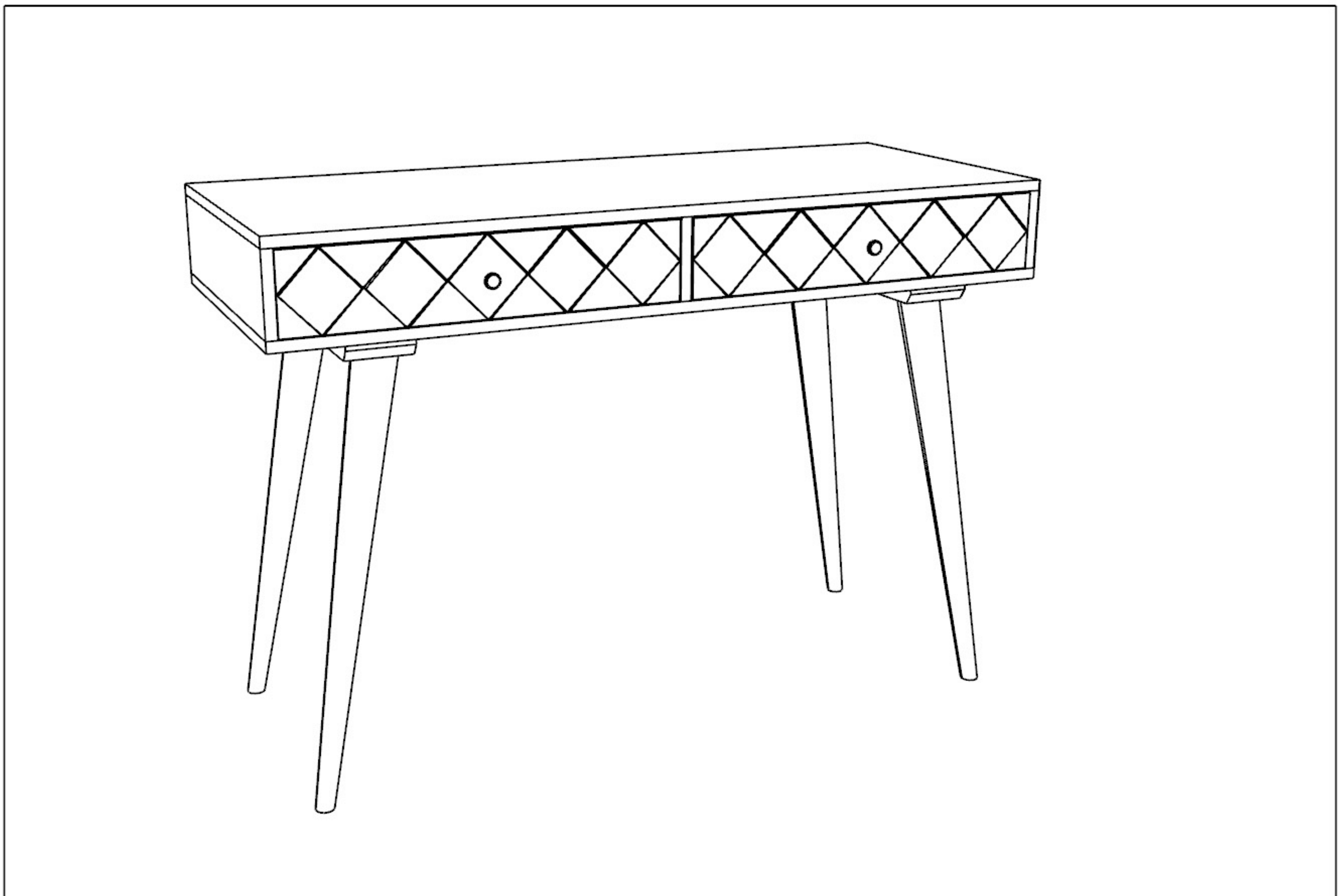




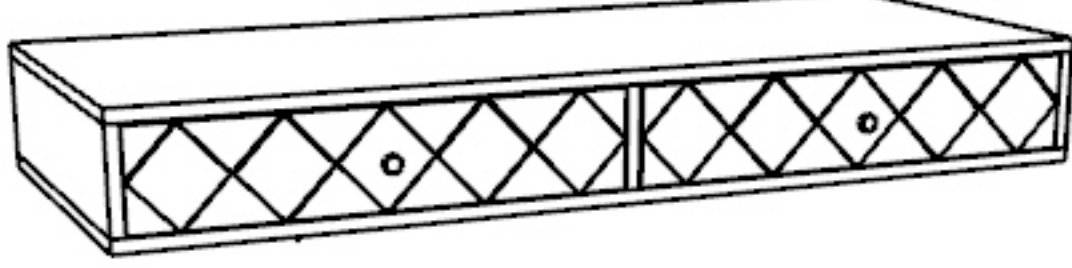
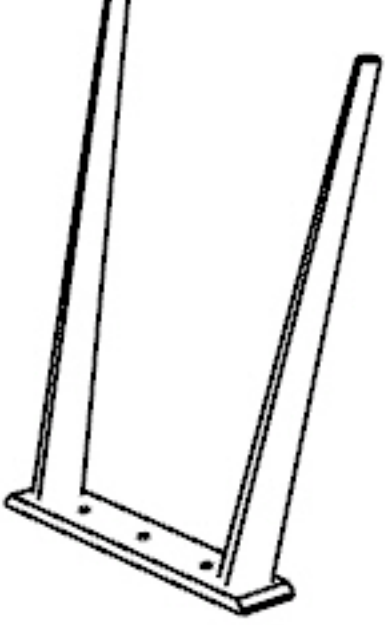
# ASSEMBLY INSTRUCTIONS

TUSCANY MILAN CONSOLE TABLE

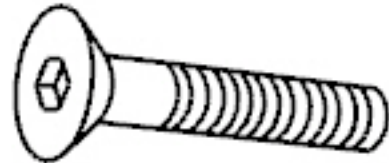

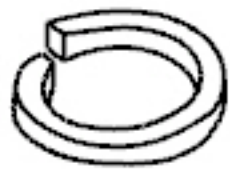
5056272006610




## Component List

Label	Picture	Description	Qty
A		Table Top	1
B		Leg	2

## Hardware List


Label	Picture	Description	Qty
H1		Allen Bolt 6 x 40 mm	6
H2		Washer 8 mm	6
H3		Spring Washer	6


## Tool List


Label	Picture	Description	Qty
T1		Allen Key	1

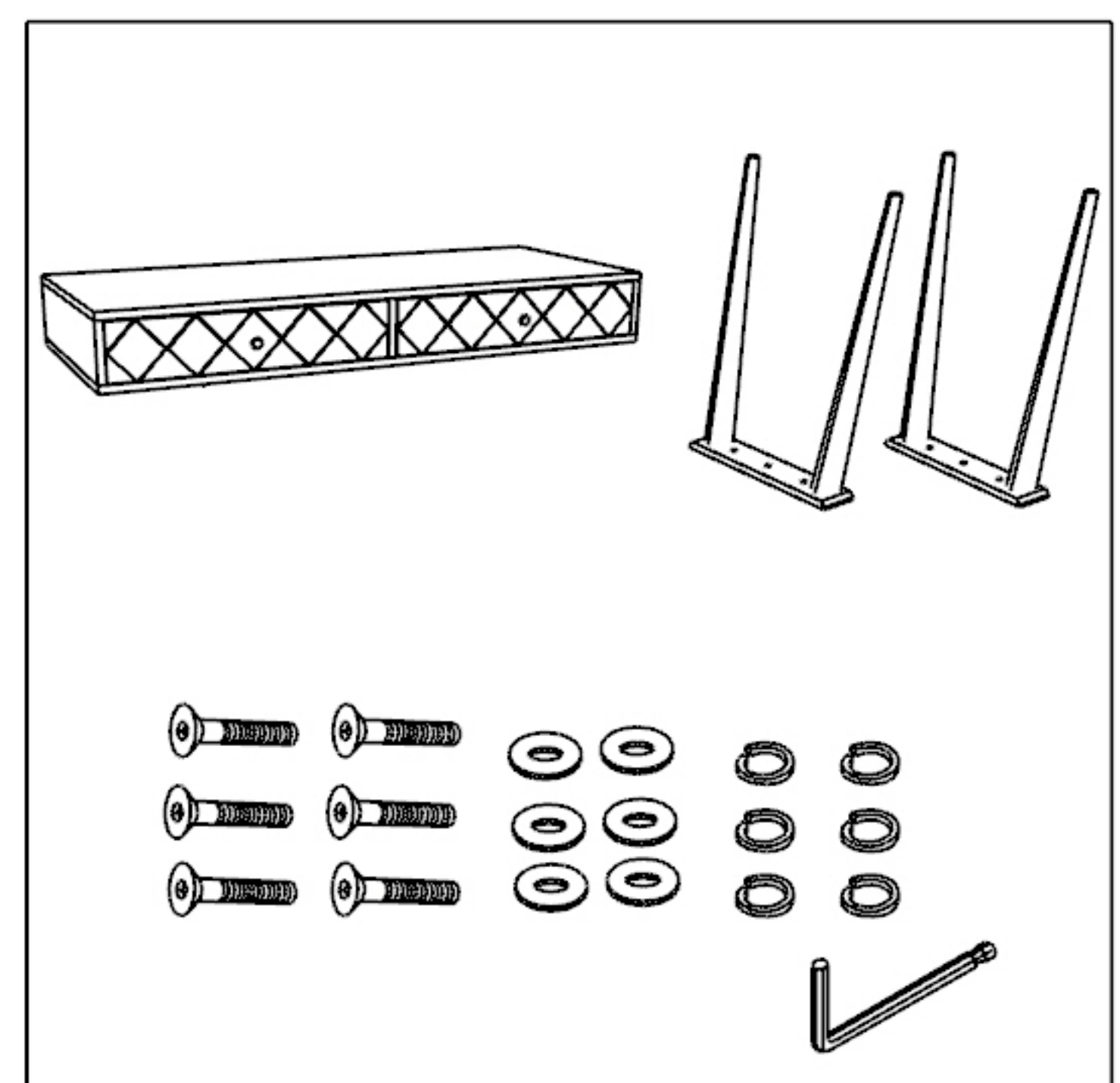
## Assembly Prep

Before Beginning:

\* Save all packing until finished. 

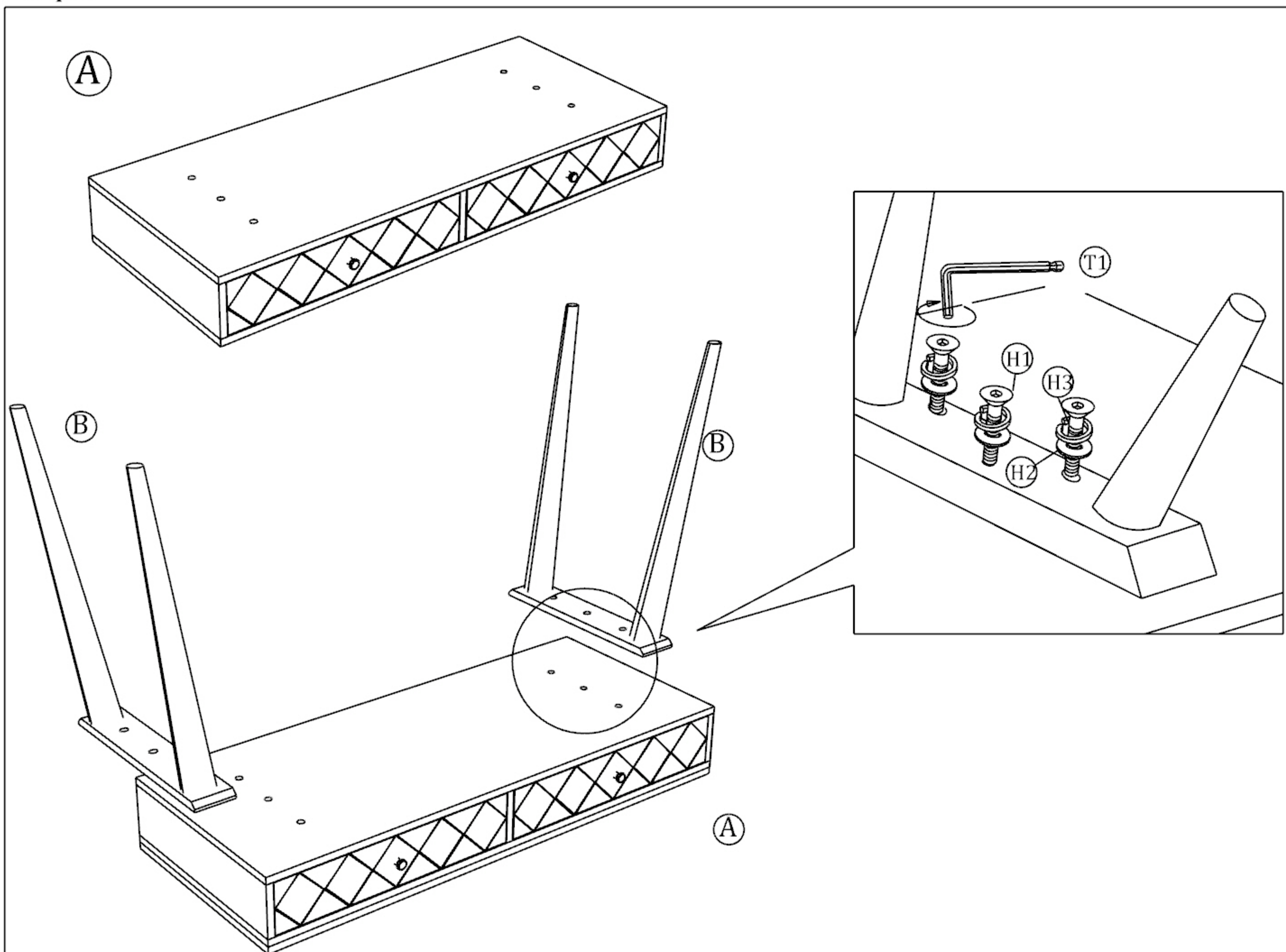
\* Read Instructions, cover to cover. 

\* Have 2 adults on hand for assembly. 

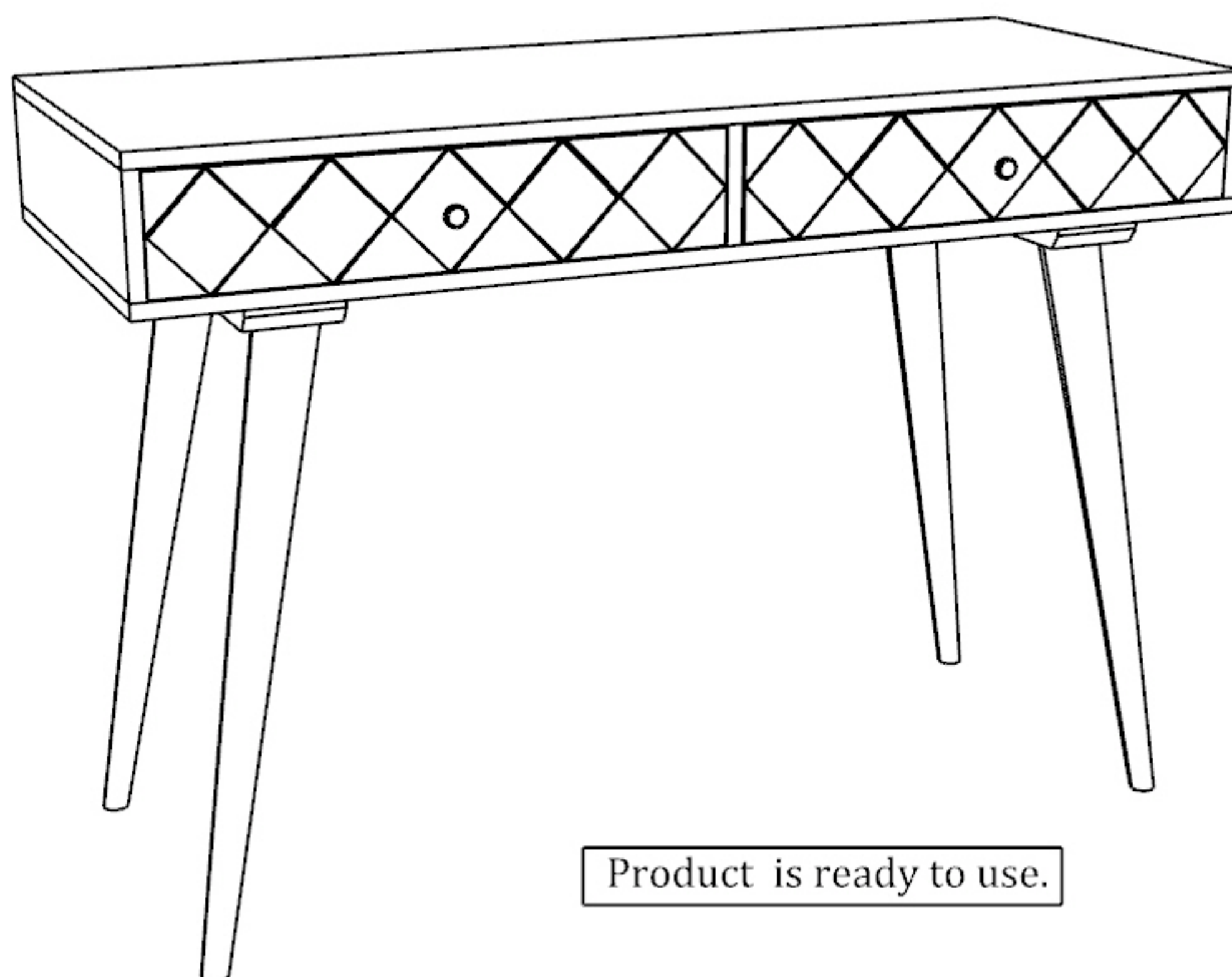


# Assembly Steps

## Step 1



Place Table Top (A) upside down on a non-damaging padded surface. Align Leg (B) with Table Top (A) as shown above. Insert Allen Bolt (H1), Washer (H2) and Spring Washer (H3) and tighten it with Allen Key (T1). Follow the same process to attach other Legs (B). Fully tighten all connections with Allen key (T1). Turn the piece in upright position.



Upright  
Assembled View

Product is ready to use.