

TECHNICAL DATA SHEET

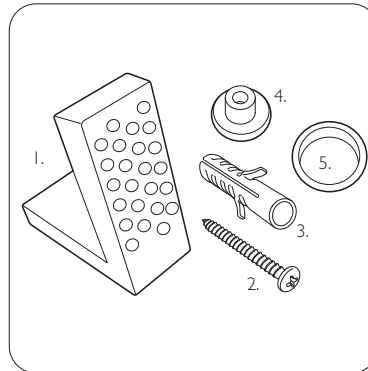
Oulton Close Coupled Fully Enclosed WC - CT1509



| NO. | Description | Fixings included | Gross Weight |
|-----|---------------------------|------------------|--------------|
| 1 | Close Coupled Cistern | YES | 14.3KG |
| 2 | Soft Close Toilet Seat | YES | 2KG |
| 3 | Rimless Fully Enclosed WC | YES | 31KG |



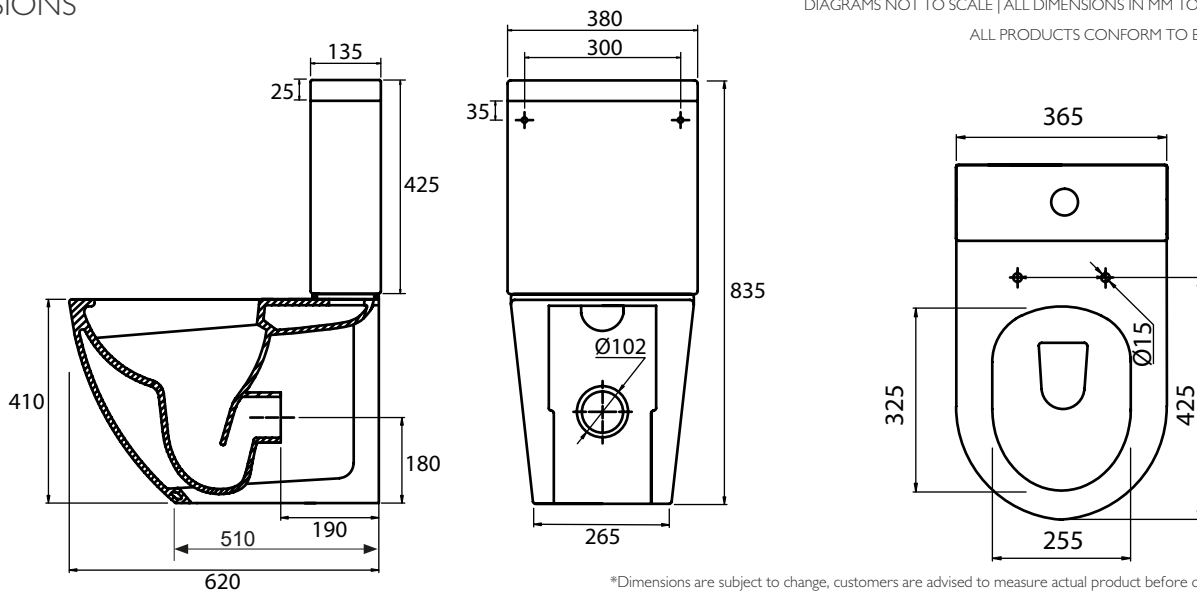
Floor Fixings



- 1. 2x Nylon Floor Bracket
- 2. 4x Stainless Steel Screws
- 3. 2x Nylon Screw Plugs
- 4. 2x Nylon Screw Collars
- 5. 2x Nylon Collar Caps (Metalic Finish)

Spare Code: SP14211

DIMENSIONS



*Dimensions are subject to change, customers are advised to measure actual product before commencing installation.
**Fixing point dimensions are for guidance only. The positions of fixings must be checked when product is received.

FAQs

Q - Where is the inlet valve?
A - Bottom inlet, back left of the pan.

Q - What is the flush volume?
A - 4.5/3L

Q - Can this pan be used with a side connection outlet pipe?
A - No

Q - Are there any other compatible seats?
A - No

Q - Rim type?
A - Rimless.

| Key Dimensions Descriptions | Key Dimensions (mm) |
|-------------------------------------|---------------------|
| Front to Back Footprint | 510mm |
| Left to Right Footprint | 265mm |
| Bowl Front to Back | 325mm |
| Bowl Left to Right | 255mm |
| Pan Height (+Cistern) | 410mm (835mm) |
| Pan Overall Front to Back | 620mm |
| Centre Waste Outlet to Floor | 180mm |
| Width of Void | 170mm |
| Is there a Ceramic Brace Bar | No |
| Distance from Spigot to back of Pan | 190mm |