

TECHNICAL DATA SHEET

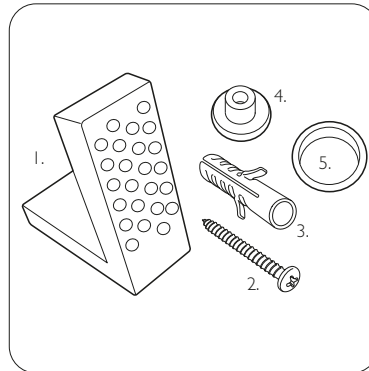
Aston Closed Coupled Comfort Height Open Back WC - CT1512



NO.	Description	Fixings included	Gross Weight
1	Close Coupled Cistern	YES	14.5KG
2	Soft Close Toilet Seat	YES	2.8KG
3	Rimless Comfort Height Open Back WC	YES	33KG



Floor Fixings

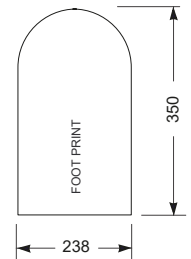
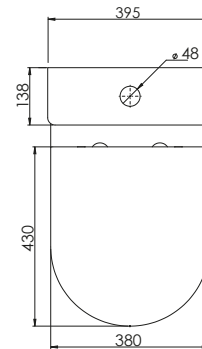
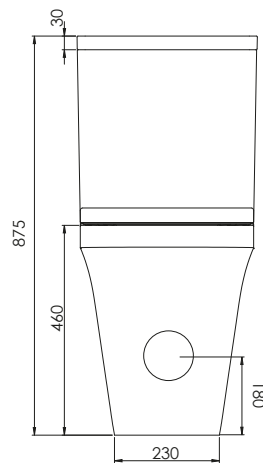
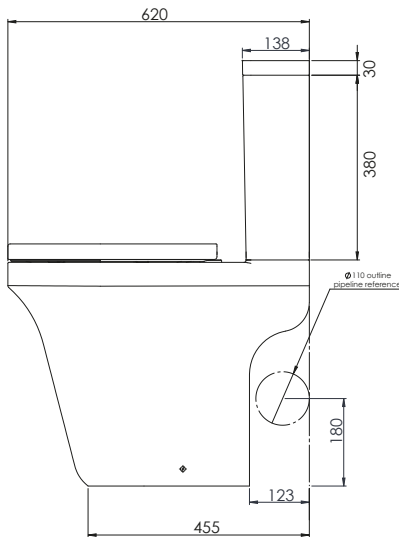


1. 2x Nylon Floor Bracket
2. 4x Stainless Steel Screws
3. 2x Nylon Screw Plugs
4. 2x Nylon Screw Collars
5. 2x Nylon Collars Caps (Metalic Finish)

Spare Code: SP14211

DIMENSIONS

DIAGRAMS NOT TO SCALE | ALL DIMENSIONS IN MM TOLERANCE OF ± 5MM
ALL PRODUCTS CONFORM TO BRITISH STANDARDS



*Dimensions are subject to change, customers are advised to measure actual product before commencing installation.
**Fixing point dimensions are for guidance only. The positions of fixings must be checked when product is received.

FAQs

Q - Where is the inlet valve?
A - Bottom inlet, back right of the pan.

Q - What is the flush volume?
A - 6/4L

Q - Can this pan be used with a side connection outlet pipe?
A - Yes..

Q - Are there any other compatible seats?
A - No

Q - Rim type?
A - Rimless

Key Dimensions Descriptions	Key Dimensions (mm)
Front to Back Footprint	350mm
Left to Right Footprint	238mm
Bowl Front to Back	330mm
Bowl Left to Right	280mm
Pan Height (+Cistern)	460mm (875mm)
Pan Overall Front to Back	620mm
Centre Waste Outlet to Floor	180mm
Width of Void	203mm
Is there a Ceramic Brace Bar	No
Distance from Spigot to back of Pan	160mm