



Model # IC1.5C / IC1.5C-CA

USER MANUAL

IC1.5C

INDOOR CYCLE



Record Serial Number Here

Distributed By:
Pure-Tec Limited
www.puretecfitness.com

TABLE OF CONTENTS

BEFORE YOU BEGIN.....	2
IMPORTANT SAFETY NOTICE.....	3
WARNING AND IMPORTANT LABEL PLACEMENT.....	4
ASSEMBLY AND SETUP.....	5
ASSEMBLY INSTRUCTIONS.....	7
ADJUSTMENT FEATURES.....	9
APP DOWNLOAD.....	10
NOTES.....	10
REGULATORY INFORMATION.....	10
WARRANTY.....	12
IC1.5C EXPLODED VIEW.....	13
IC1.5C PARTS LIST.....	14

REGISTER WARRANTY ONLINE

To register your product for warranty, visit www.puretecfitness.com

BEFORE YOU BEGIN

Thank you for choosing the Inspire IC1.5 Indoor Cycle. For your safety and benefit, read this manual carefully before using the machine. We are committed to providing you complete customer satisfaction. If you have any questions, or find there are missing or damaged parts, please contact our Customer Solution Department. Our Customer Service Agents will provide immediate assistance to you.



Email

service@puretecfitness.com

IMPORTANT SAFETY NOTICE

Precautions

This exercise machine is built for optimum safety. However, certain precautions apply whenever you operate a piece of exercise equipment. Be sure to read the entire manual before you assemble or operate your machine. Please note the following safety precautions:

1. Always keep children and pets away from the machine. DO NOT leave children unattended in the same room with the machine. The linkages on this machine can cause serious injury or death if used improperly.
2. Never place your hands or feet in the path of the pedals because injury may occur to you or damage may occur to the equipment. Never allow children to come near or approach the moving linkages while in use.
3. Feet should be fully rested and securely strapped onto the pedals during the entire workout.
4. If the user experiences dizziness, nausea, chest pain, or any other abnormal symptoms, STOP the workout at once. CONSULT A PHYSICIAN IMMEDIATELY.
5. Position the machine on a clear, leveled surface. DO NOT use the machine near water or outdoors.
6. Keep hands away from all moving parts and flywheel.
7. Always wear appropriate workout clothing when exercising. DO NOT wear robes or other clothing that could become caught in the machine. Running or aerobic shoes are also required when using the machine.
8. Use the machine only for its intended use as described in this manual. DO NOT use attachments not recommended by the manufacturer.
9. Do not place any sharp objects around the machine.
10. Disabled persons should not use the machine without a qualified person or physician in attendance.
11. Before using the machine to exercise, always do stretching exercises to properly warm up.
12. Never operate the machine if the machine is not functioning properly.
13. Maximum user weight 136 kg (300 lbs).
14. Operating frequency: 2402-2800MHz, Max transmit power: 1mW.

Care and Maintenance

1. Inspect and tighten all parts before using the machine.
2. The Frame and Seat Pad of the machine can be cleaned using a damp cloth and mild non-abrasive detergent. DO NOT use solvents.

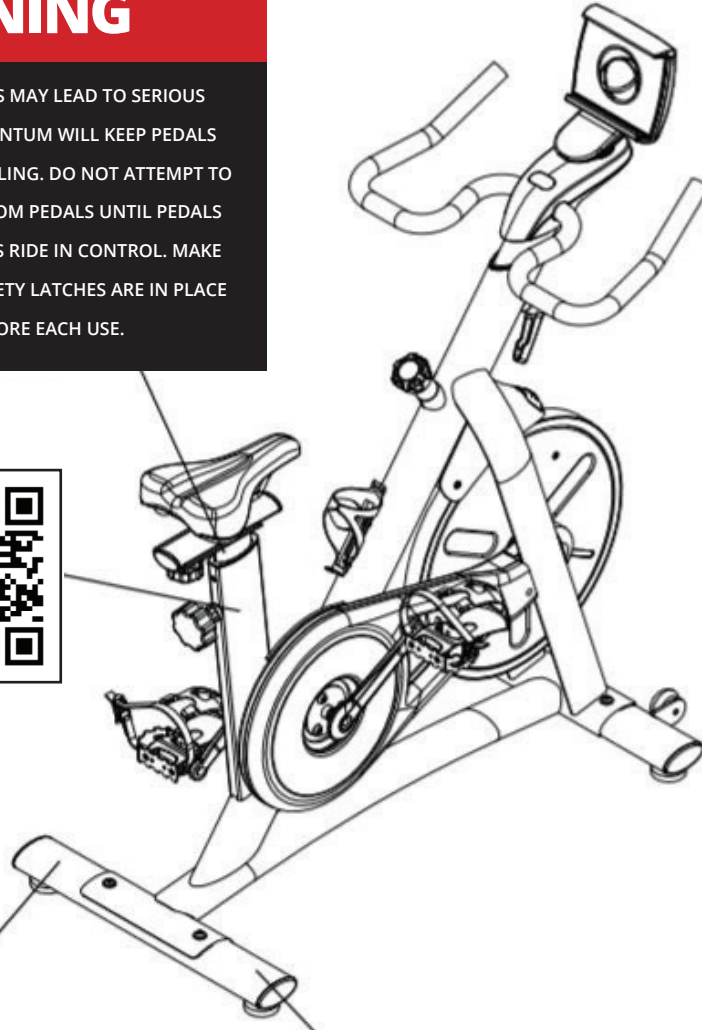
WARNING

BEFORE BEGINNING ANY EXERCISE PROGRAM, CONSULT YOUR PHYSICIAN. THIS IS ESPECIALLY IMPORTANT FOR INDIVIDUALS OVER THE AGE OF 35 OR PERSONS WITH PRE-EXISTING HEALTH PROBLEMS. READ ALL INSTRUCTIONS BEFORE USING ANY FITNESS EQUIPMENT. PURE-TEC LTD DOES NOT ASSUME ANY RESPONSIBILITY FOR PERSONAL INJURY OR PROPERTY DAMAGE SUSTAINED BY OR THROUGH THE USE OF THIS PRODUCT.

WARNING AND IMPORTANT LABEL PLACEMENT

! WARNING




FAILURE TO FOLLOW INSTRUCTIONS MAY LEAD TO SERIOUS PERSONAL INJURY. FLYWHEEL MOMENTUM WILL KEEP PEDALS TURNING EVEN AFTER YOU STOP PEDALING. DO NOT ATTEMPT TO DISMOUNT BIKE OR REMOVE FEET FROM PEDALS UNTIL PEDALS HAVE COMPLETELY STOPPED. ALWAYS RIDE IN CONTROL. MAKE SURE ALL PULL PINS, LOCKS, AND SAFETY LATCHES ARE IN PLACE AND FULLY ENGAGED BEFORE EACH USE.



PURE-TEC LIMITED
 SALES & SERVICE: service@puretecfitness.com
 MODEL: IC15
 MADE IN CHINA
 SERIAL NUMBER

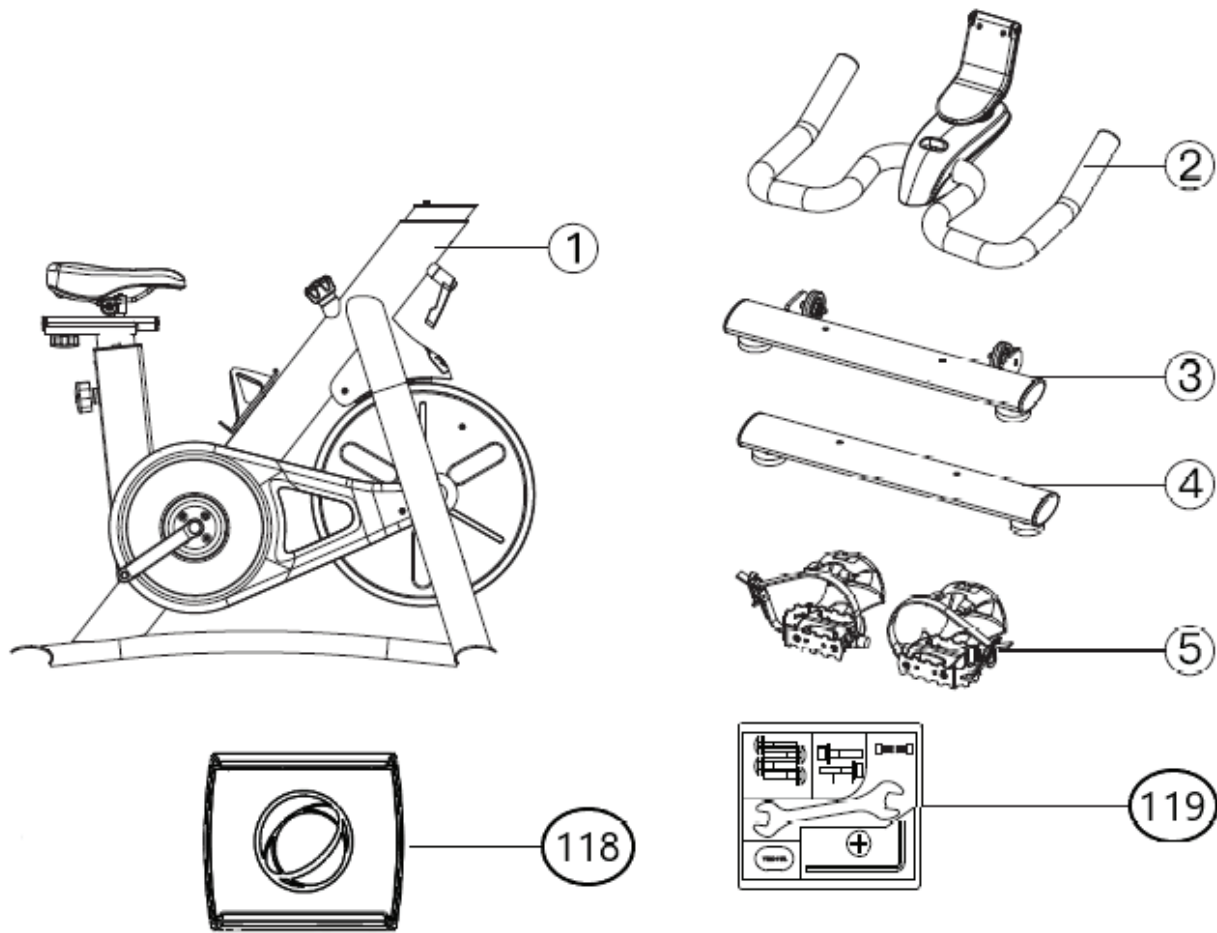
 IC15-20-XX-XXXXXX

Model name:	IC1.5
FCC ID:	2ATO8INSPIREIC105
This device complies with Part 15 of the FCC Rules. Operation is subject to the following two conditions: (1) this device may not cause harmful interference, and (2) this device must accept any interference received, including interference that may cause undesired operation.	
Health in Motion, LLC. 255 Airport Circle, Suite 101. Corona, California 92880, United States.	

ASSEMBLY AND SETUP

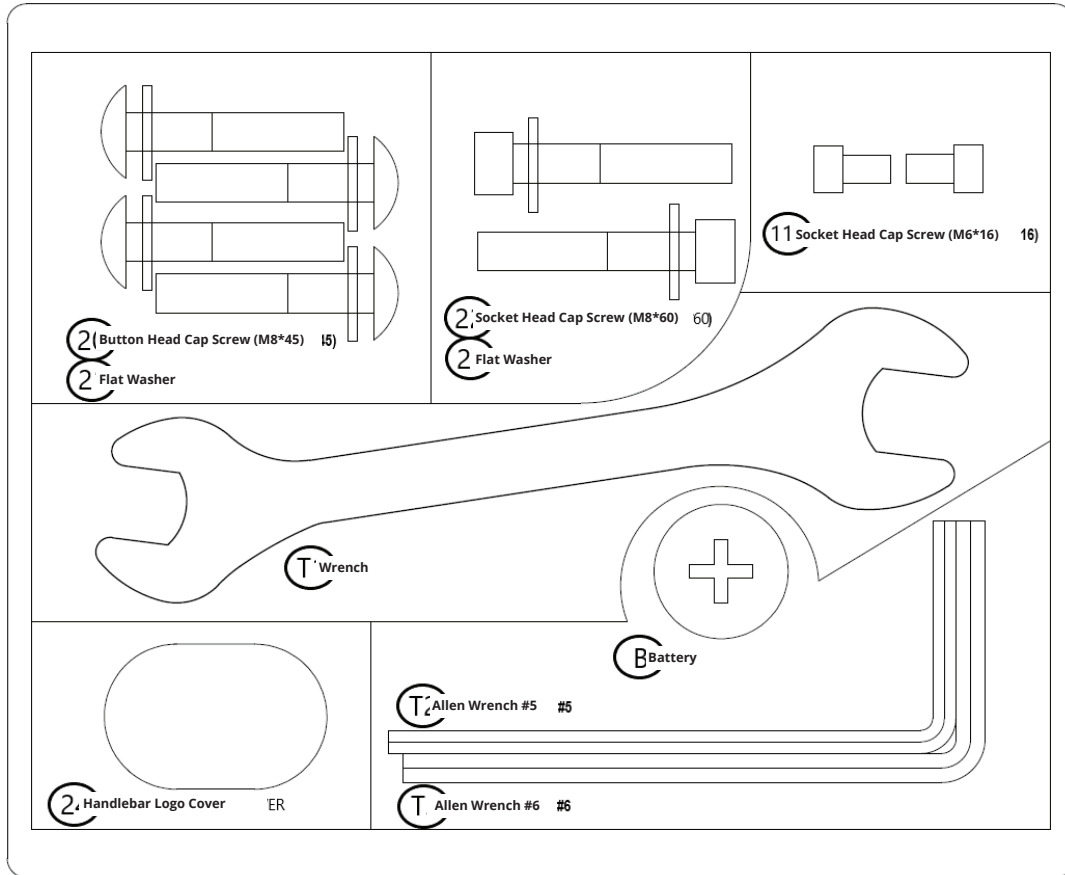
Package Contents



ID.	NAME	QTY.	ID.	NAME	QTY.
①	Frame	1	⑤	Pedals, Right & Left	2
②	Handlebars	1	⑪⑧	Tablet Mount	1
③	Front Foot Tube	1	⑪⑨	Hardware Kit	1
④	Rear Foot Tube	1			

IC1.5C Assembly Hardware Kit

NOTE: The parts shown are not drawn to scale. Please use your own ruler or scale to measure the size.

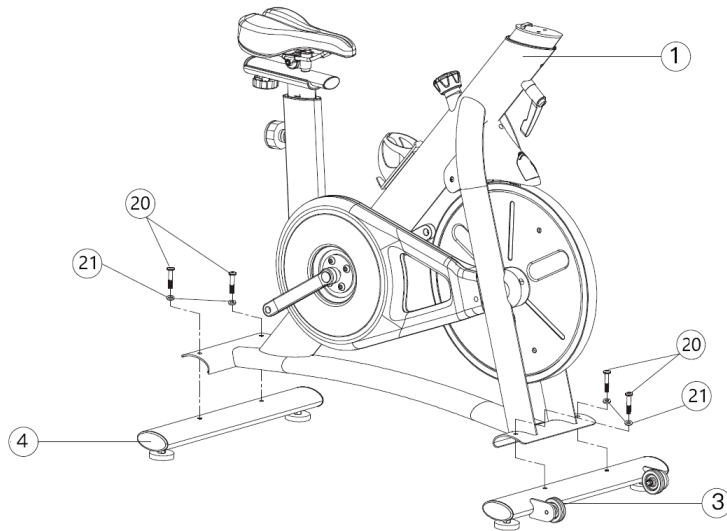


ID.	NAME		QTY.
20	Button Head Cap Screw (M8*45)		4
22	Socket Head Cap Screw (M8*60)		2
B	Battery		1
21	Flat Washer		6
24	Handlebar Logo Cover		1
T1	Wrench		1
T2	Allen Wrench #5		1
T3	Allen Wrench #6		1
114	Socket Head Cap Screw (M6*16)		2

ASSEMBLY INSTRUCTIONS

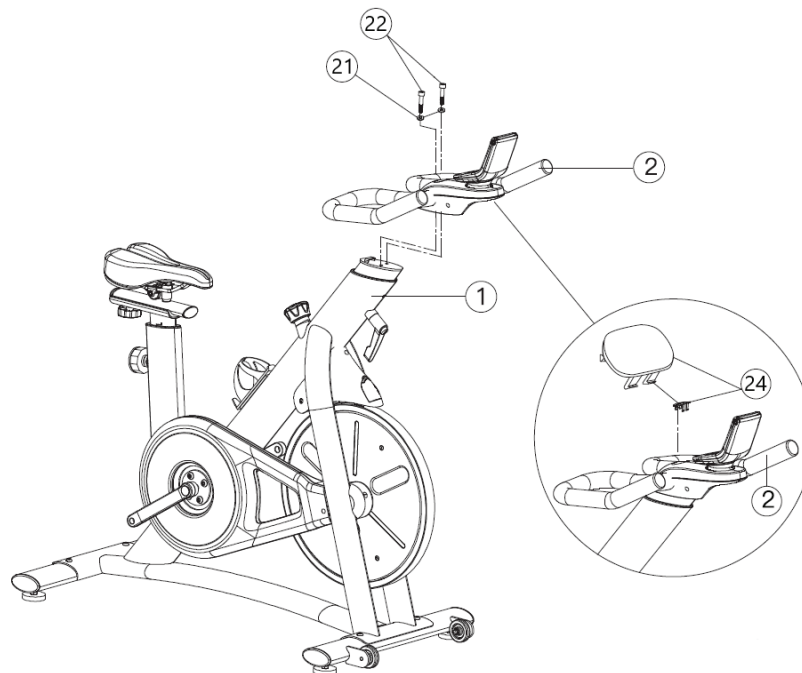
Step 1

Attach the front foot tube (3) and rear foot tube (4), using button head cap screws (20) with washers (21). Use the Allen wrench #5 (T2).



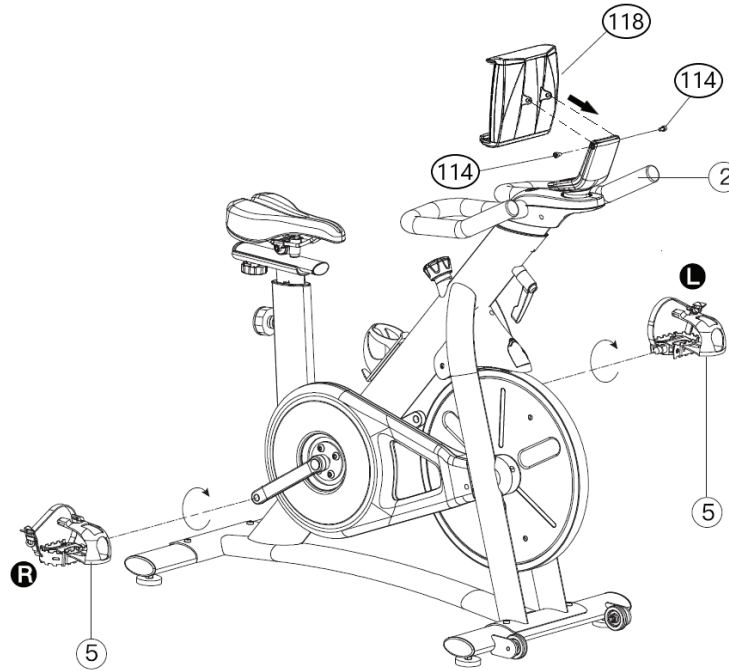
Step 2

Slide the handlebars (2) into position on the frame (1), secure with two socket head cap screws (22) with washers (21). Use the Allen wrench #6 (T3). After tightening the cap screws insert the handlebar logo cover (24) into place as shown.



Step 3

Attach the right and left pedals (5), keep in mind when installing the left pedal that it has left-handed thread. Use the wrench (T1). Attach the tablet mount (118) to the handlebars (2) using two socket head cap screws (114). Use the allen wrench #5 (T2).



Step 4

Remove the battery cover and carefully pull out the battery holder circuit board. Install the provided battery (B) into the circuit board. Then reinstall the circuit board and cover.



1. WARNING - KEEP BATTERIES OUT OF REACH OF CHILDREN.

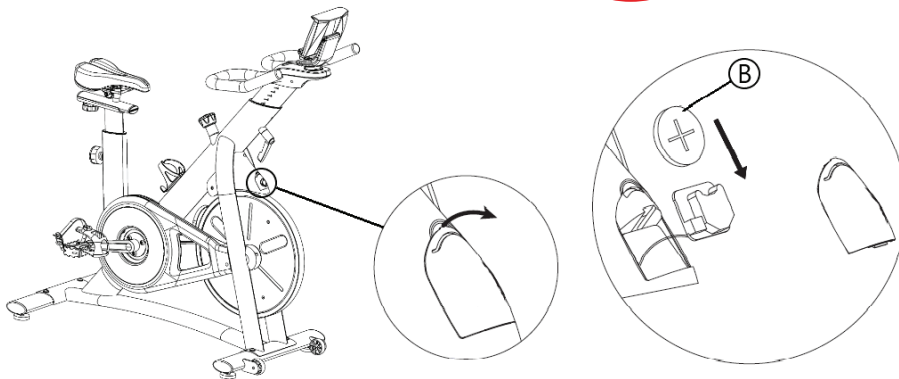
2. Swallowing may lead to serious injury in as little as 2 hours or death, due to chemical burns and potential perforation of the esophagus.

3. If you suspect your child has swallowed or inserted a button battery, immediately seek urgent medical assistance.

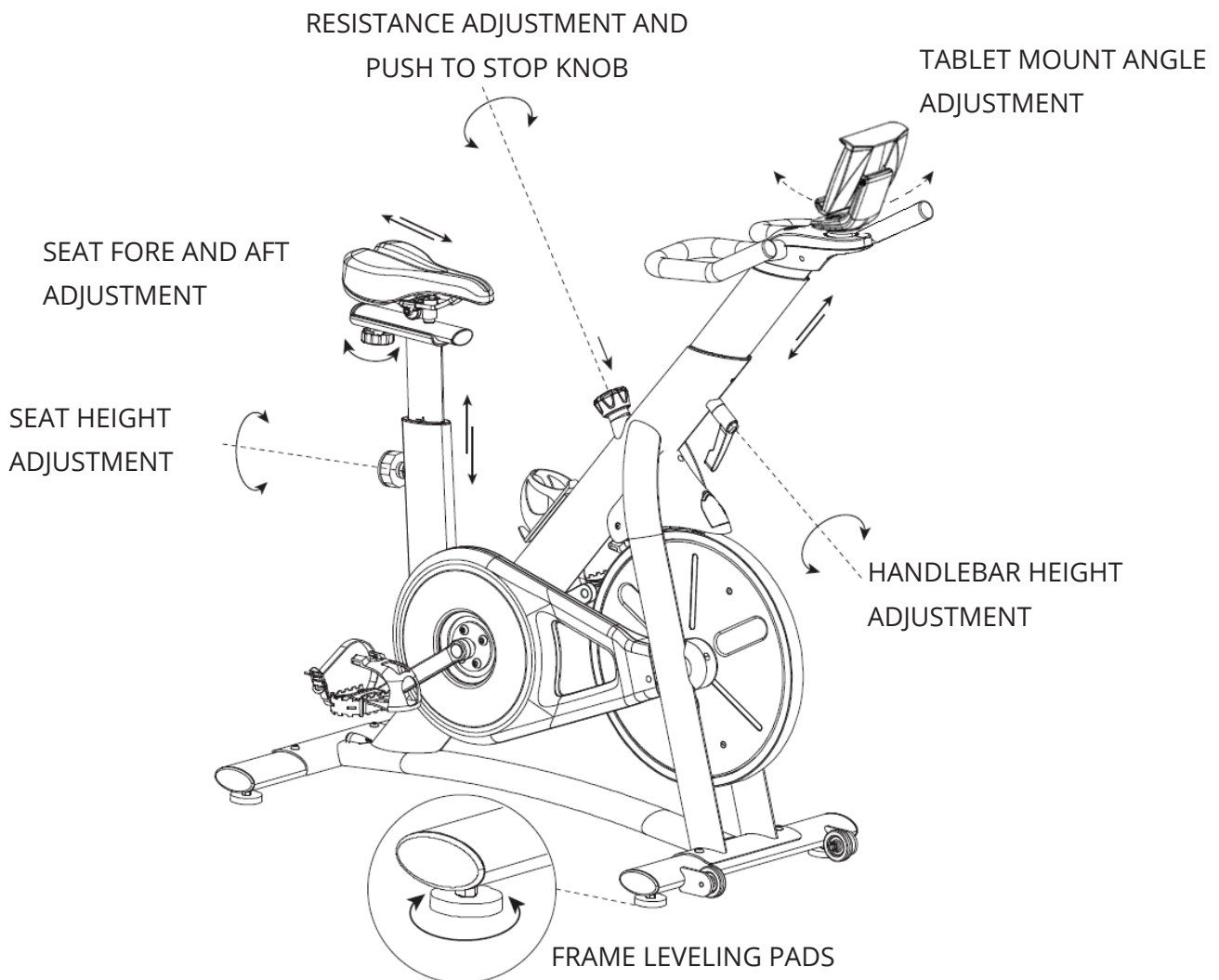
4. Examine devices and make sure the battery compartment is correctly secured, e.g. that the screw or other mechanical fastener is tightened. Do not use if compartment is not secure.

5. Dispose of used button batteries immediately and safely. Flat batteries can still be dangerous.

6. Tell others about the risk associated with button batteries and how to keep their children safe.

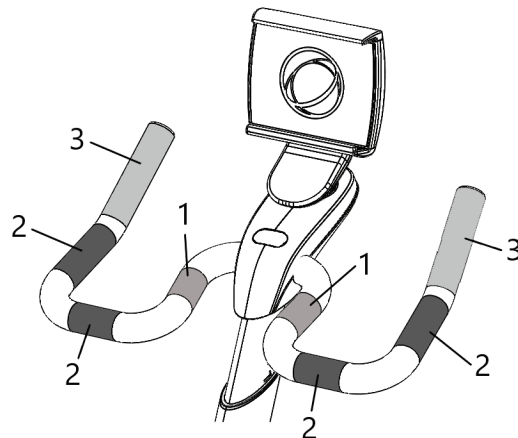


ADJUSTMENT FEATURES



Handlebar Hand Positions

- Seated Flat – Hand Position 1 or 2
- Seated Climb – Hand Position 2
- Standing Flat – Hand Position 2
- Standing Climb – Hand Position 3
- Jumps – Hand Position 2



APP DOWNLOAD

Need some workout ideas and motivation? Ready to ride with some of the best trainers in the nation? Start your FREE trial of our all-new mobile app. It's filled with live and on demand video workouts, as well as written workout plans designed by our very own trainers.



Try it for FREE today.
Scan to sign up.



NOTES

ANT, ANT+ and the ANT+ logo are trademarks of Garmin Switzerland GmbH. The Bluetooth® trademarks—including the BLUETOOTH word mark, the figure mark (the letter “B” and oval design), and the combination mark (Bluetooth word mark and design)—are owned by the Bluetooth SIG.

REGULATORY INFORMATION

Federal Communication Commission Interference Statement

This equipment has been tested and found to comply with the limits for a Class B digital device, pursuant to Part 15 of the FCC Rules. These limits are designed to provide reasonable protection against harmful interference in a residential installation. This equipment generates, uses and can radiate radio frequency energy and, if not installed and used in accordance with the instructions, may cause harmful interference to radio communications. However, there is no guarantee that interference will not occur in an individual installation. If this equipment does cause harmful interference to radio or television reception, which can be determined by turning the equipment off and on, the user is encouraged to try to correct the interference by one of the following measures:

- Reorient or relocate the bike.
- Increase the distance between the bike and the affected receiver.
- Consult the dealer or an experienced radio/TV technician for help. FCC Caution: To assure continued compliance, any changes or modifications not expressly approved by the party responsible for compliance could void the user's authority to operate this equipment.

IC Statement

This device contains license-exempt transmitter(s)/receiver(s) that comply with Innovation, Science and Economic Development Canada's license-exempt RSS(s). Operation is subject to the following two conditions:

1. This device may not cause interference.
2. This device must accept any interference, including interference that may cause undesired operation of the device.

L'émetteur/récepteur exempt de licence contenu dans le présent appareil est conforme aux CNR d'Innovation, Sciences et Développement économique Canada applicables aux appareils radio exempts de licence. L'exploitation est autorisée aux deux conditions suivantes :

1. L'appareil ne doit pas produire de brouillage;
2. L'appareil doit accepter tout brouillage radioélectrique subi, même si le brouillage est susceptible d'en compromettre le fonctionnement.

Hazardous Materials and Proper Disposal

The batteries within self-powered equipment contain materials considered hazardous to the environment. Federal law requires proper disposal.

Product Recycling and Disposal

This equipment must be recycled or discarded per applicable local and national regulations. Product labels, in accordance with European Directive 2002/96/EC concerning waste electrical and electronic equipment (WEEE, determine the framework for the return and recycling of used equipment as applicable throughout the European Union. The WEEE label indicates that the product is not to be thrown away, but rather reclaimed upon end of life per this Directive. In accordance with the European WEEE Directive, electrical and electronic equipment (EEE is to be collected separately and to be reused, recycled, or recovered at end of life. Users of EEE with the WEEE label per Annex IV of the WEEE Directive must not dispose of end of life EEE as unsorted municipal waste. Always use the collection framework available to customers for the return, recycling, and recovery of WEEE. Customer participation is important to minimize any potential effects of EEE on the environment and human health due to the potential presence of hazardous substances in EEE. For proper collection and treatment, contact Pure-Tec Ltd Customer Solution Department.

RED Declaration of Conformity (DOC)

Health In Motion, LLC 255 Airport Circle, Suite 101 Corona, California 92880, United States declare under our sole responsibility that the product: **Spin Bike IC1.5** to which this declaration relates is in conformity with the essential requirements and other relevant requirements of the **RED Directive (2014/53/EU)**.

The product is in conformity with the following standards and/or other normative documents:

Health & Safety (Art. 3(1)(a)): EN 62479:2010

EMC (Art. 3(1)(b)): EN 55014-1:2017 + EN55014-2:2015 + Draft ETSI EN 301 489-1 V2.2.0:2017 +
Draft ETSI EN 301 489-17 V3.2.0:2017

Spectrum (Art. 3(2)): EN 300 328 V2.1.1:2016

Technical File Held by: Health in Motion, LLC

Place and Date of Issue: 2020/5/14

WARRANTY

This Warranty applies to Inspire cardio products manufactured or distributed by Pure-Tec Ltd

Inspire IC1.5C Warranty Periods

RESIDENTIAL WARRANTY

10 Years	FRAME – Includes Main Frame and Welds
3 Years	PARTS – Excluding Paint and Finish (unless defective out of box)
1 Year	LABOR

Pure-Tec Ltd warrants that the Product you have purchased for personal, family or household use from Pure-Tec Ltd is free from defects in materials or workmanship under normal use during the warranty period. Your sales receipt, showing the date of purchase of the Product, is your proof of the date of purchase. This warranty extends only to you, the original purchaser. It is not transferable to anyone who subsequently purchases the Product from you. It excludes expendable parts such as paint and finish. This Warranty becomes VALID ONLY if the Product is assembled / installed according to the instructions / directions included with the Product. Please visit www.puretecfitness.com to register your product ahead of time and stay up to date with product updates.

Replacement and Repair of Parts

During the warranty period Pure-Tec Ltd will, at no additional charge, repair or replace the Product if it becomes defective, malfunctions, or otherwise fails to conform with this Warranty under normal personal, family, or household use. In repairing the product Pure-Tec Ltd may replace defective parts with, at the option of Pure-Tec Ltd, serviceable used parts that are equivalent to new parts in performance, or new parts. All exchanged parts and Products replaced under this warranty will become the property of Pure-Tec Ltd. Pure-Tec Ltd reserves the right to change manufacturers and or specification of any part to cover any existing warranty.

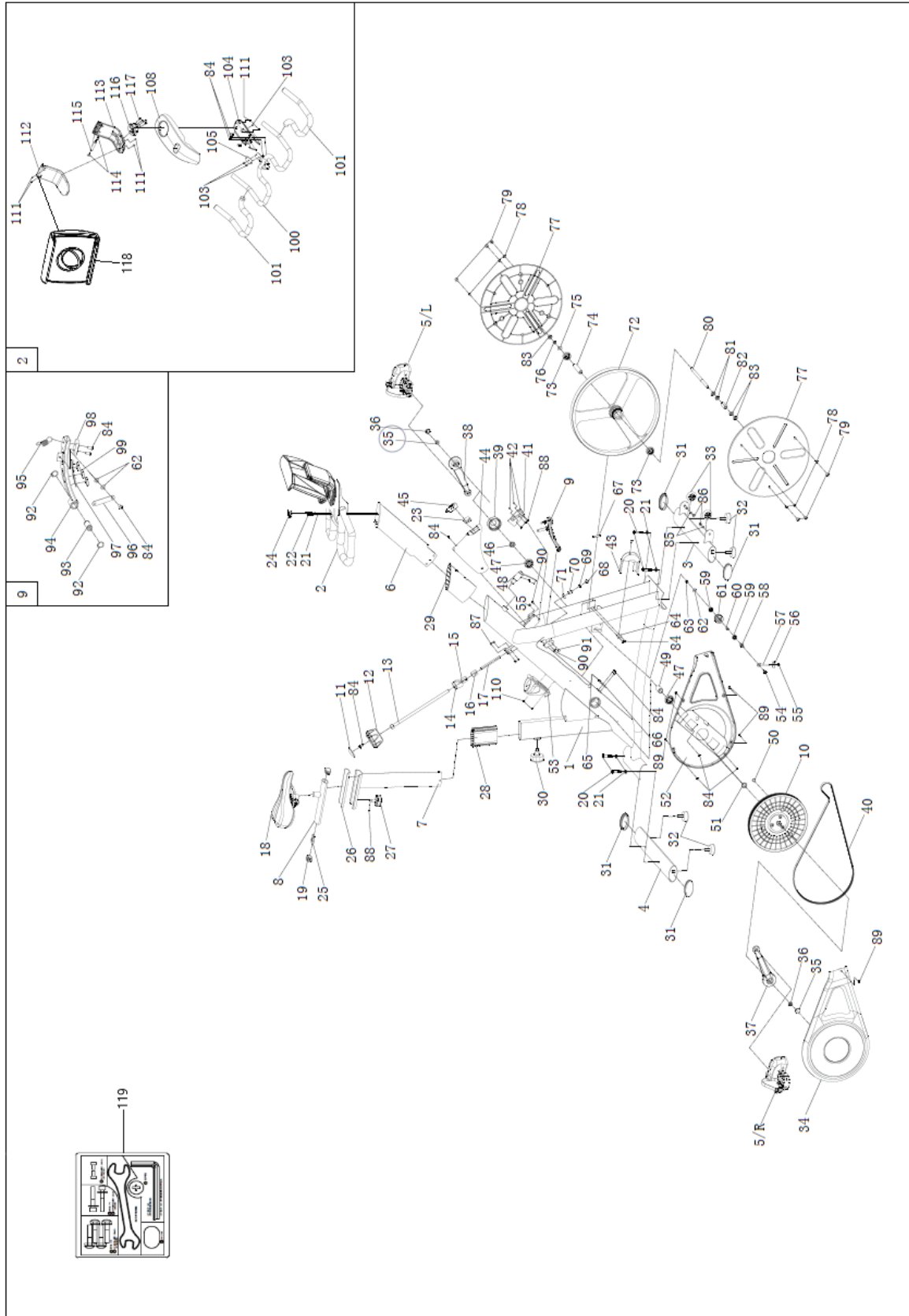
Service Procedures

To obtain warranty parts, you must return the parts to Pure-Tec Ltd in its original container (or equivalent). You must pre-pay any shipping charges, taxes, or any other charges associated with transportation of the Product. In addition, you are responsible for insuring any Product shipped or returned. You assume the risk of loss during shipment. You must present Pure-Tec Ltd with proof-of-purchase documents (including the date of purchase, Model, and Serial Number. Any evidence of alteration, erasing or forgery of proof-of-purchase documents will be cause to void this Warranty. To register your warranty visit: www.puretecfitness.com/warranty-registration-page

Conditions and Exceptions

This Warranty does not extend to any Product not purchased from Pure-Tec Ltd. This Warranty does not extend to any Product that has been damaged or rendered defective; (a) as a result of accident, misuse, or abuse; (b) by the use of parts not manufactured or sold by Pure-Tec Ltd; (c) by modification of the Product; (d) as a result of service by anyone other than Pure-Tec Ltd or an authorized Pure-Tec Ltd warranty service provider; (e) product that has not been properly maintained (follow maintenance schedule found on product. Should any product submitted for Warranty service be found to be ineligible, an estimate of repair cost will be furnished, and the repair will be made if requested by you upon Pure-Tec Ltd receipt of payment or acceptable arrangement of payment.

IC1.5C EXPLODED VIEW



IC1.5C PARTS LIST

No.	SKU	Description	Qty.
1	BC423-200-010	Main Frame	1
2	BC423-320-006PZ	Handlebar Assembly	1
3	BC423-220-004	Front Stabilizer	1
4	BC423-220-003	Rear Stabilizer	1
5 L/R	B465-340-001	Crank Pedal Right and Left	1
6	BC423-320-007	Handlebar Post	1
7	BC423-320-005	Seat Post Support	1
8	BC423-320-004	Seat Post Free Rail	1
9	BC423-340-001PZ	Magnet Holder Assembly	1
10	BC423-380-001	Crankshaft Assembly	1
11	BC423-881-026	Resistance Knob Cover	1
12	BC423-881-025	Resistance Assembly Dial	1
13	BC423-561-024	Resistance Assembly Bolt	1
14	BC423-881-009A	Decoration Cover	1
15	BC423-881-010	Square Nut-Top	1
16	BC423-881-011	Square Nut-Bottom	1
17	BC423-561-019	Sleeve	1
18	BC423-400-003	Seat	1
19	BC423-881-012B	Plug	2
20	0117-208-004	Socket Cap Screw	2
21	0116-608-008	Arc Washer	6
22	0113-208-458A	Hexagon Socket Button Head Screw	4
23	BC423-630-018/023	Battery Board (with Button Battery)	1
24	BC423-881-062	Logo Cover	1
25	BC423-321-009	Adjustment Plate	1
26	BC423-881-032A	Slide Plate	1
27	BC423-881-034A	Adjustment Knob	1
28	BC423-881-006A	Tube Sleeve	1
29	BC423-881-027A	Tube Sleeve	1
30	BC423-881-061	Seat Adjustment Knob	1
31	BC423-881-014A	Plug	4
32	BE920-881-011	Rear Foot Pad	4
33	BC423-881-055A	Transportation Rollers	2
34	BC423-881-001	Right Shroud	1
35	BE480-881-005	Cover	2
36	0110-410-592	Flange Nut	2
37	BC850-561-022	Right Crank	1
38	BC850-561-032	Left Crank	1
39	BC423-881-007A	Bottom Bracket Cover	1
40	BC423-501-001	Belt	1
41	BC423-630-017	PCB Board	1
42	BC423-630-022	Plastic Washer	3
43	BC423-881-003	Cover	1
44	BC423-881-004	PCB Board Cover - A	1
45	BC423-881-005B	PCB Board Cover - B	1
46	0110-720-101	Nylon Nut	1
47	0200-231-31C	Bearing	2
48	BC423-881-035A	L Knob	1
49	BC423-561-051	Sleeve	1
50	BC423-561-027	Magnet	1
51	BC423-561-055	Space	1
52	BC423-881-002	Left Shroud	1
53	BC423-380-001A	Water Bottle Holder	1
54	0110-708-028	Nylon Nut	1
55	0110-706-028	Nylon Nut	2
56	BC12-011-92A	U Bracket	1
57	BC12-011-72B	Tension Bolt	1
58	BC423-561-011	Axle	1
59	0171-600-03C	Bearing	2

No.	SKU	Description	Qty.
60	BC423-561-031	Press Pulley Sleeve	1
61	BC423-881-050	Press Pulley	1
62	0116-006-008	Flat Washer	3
63	0111-006-128A	Hex Bolt	1
64	BC423-321-010	Fix Plate	1
65	BC770-801-011	Sensor Holder	1
66	BC423-630-019/021	Speed Sensor with Wire	1
67	BC423-881-008A	Small Cover	1
68	0110-308-008	Acorn Nut	1
69	0110-008-008	Hex Nut	1
70	BC423-561-028A	Brake Sleeve	1
71	BC423-561-018	Square Nut	1
72	BC423-561-012	Flywheel with Aluminum Ring	1
73	0171-630-000	Bearing	2
74	BC423-561-025	Flywheel Sleeve	1
75	0116-010-008	Flat Washer	1
76	0110-110-102	Nut	1
77	BC423-881-022A	Small Cover-Flywheel	2
78	0114-142-138	Cross Recessed Pan Head Tapping Screws	6
79	BC423-881-023A	Rubber Plug	6
80	BC423-561-013	Flywheel Shaft	1
81	0110-010-101A	Hex Nut-Thin	2
82	BC423-881-047	Flywheel	1
83	0110-010-158	Hex Nut-Thin	3
84	0113-105-108A	Cross Recessed Pan Head Screw	15
85	0116-005-03	Flat Washer	2
86	0110-305-008	Acron Nut	2
87	0113-105-058	Cross Recessed Pan Head Screw	4
88	0113-104-110	Cross Recessed Pan Head Screw	4
89	0114-142-198	Cross Recessed Pan Head Tapping Screw	5
90	0113-105-158	Cross Recessed Pan Head Screw	2
91	0113-206-458	Hexagon Socket Button Head Screw	1
92	0117-112-08	Spring Ring	2
93	BC423-561-016	Axle	1
94	BC423-340-001	Magnet Holder	1
95	BC423-561-014A	Tension Spring	1
96	BC423-321-016	Sensor Fixture	1
97	BC423-881-024A	Magnet Cradle	1
98	BC423-881-019A	Brake Pad	1
99	BC423-561-015	Magnet	2
100	BC423-320-006	Handlebar	1
102	BC423-861-004	Dipping Grip	2
103	0113-706-108	Socket Cap Screw	3
104	BC423-881-031A	Handlebar Cover	1
105	BC423-321-015	Plate	1
108	BC423-881-028	iPad Holder Base-Top	1
110	0114-152-102	Cross Recessed Pan Head Screw	2
111	0113-135-138	Cross Recessed Pan Head Tapping Screw	8
112	BC423-881-053B	iPad Holder Support-Upper	1
113	BC423-881-054A	iPad Holder Support-Bottom	1
114	0113-206-004	Socket Cap Screw	2
115	BC423-561-029A	Rotation Rivet	1
116	BC423-881-052A	Support Base	1
117	0114-142-108A	Cross Recessed Pan Head Tapping Screw	4
118	BC423-880-057	iPad Holder Assembly	1
119	BC423-890-018	Hardware Pack	1



www.puretecfitness.com