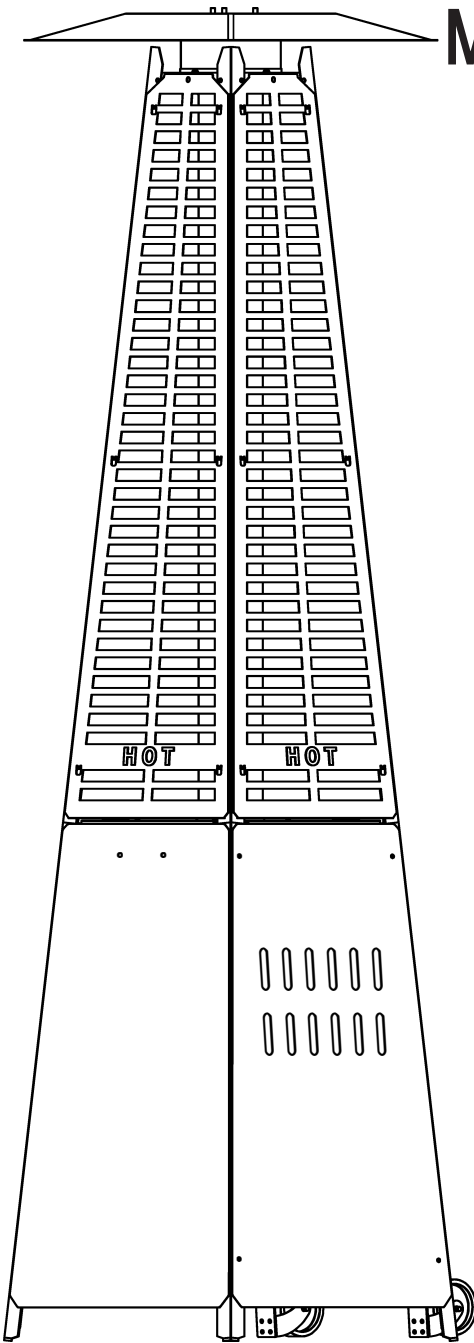




MODERN PYRAMID PATIO HEATER

ITM. / ART. 398774

ASSEMBLY / CARE & USE INSTRUCTIONS IMPORTANT, RETAIN FOR FUTURE REFERENCE: READ CAREFULLY



DANGER

FOR YOUR SAFETY:

If you smell gas:

1. Shut off gas to the appliance.
2. Extinguish any open flame.
3. If odor continues, keep away from the appliance and immediately call your gas supplier or fire department.

WARNING

Do not store or use gasoline or other flammable vapors and liquids in the vicinity of this or any other appliance. An LP-cylinder not connected for use shall not be stored in the vicinity of this or any other appliance.

WARNING

Improper installation, adjustment, alteration, service or maintenance can cause property damage, injury or death. Read the installation, operation and maintenance instructions thoroughly before installing or servicing this equipment.

DANGER

Failure to comply with the precautions and instructions provided with this heater can result in death, serious bodily injury and property loss or damage from hazards of fire, explosion, burn, asphyxiation, and/or carbon monoxide poisoning. Only persons who can understand and follow the instructions should use or service this heater.

WARNING

THIS ITEM IS INTENDED FOR OUTDOOR USE ONLY.

UK CA



ATTACH YOUR RECEIPT HERE

Keep a copy of your proof of purchase or order confirmation which will be needed if you need to contact us about warranty coverage.

Serial No. _____

Purchase Date _____



Questions, problems, missing parts?

Before returning to your retailer, our Florida-based customer service team is available. *English & Spanish speaking.*

Call Toll-Free (866) 985-7877

9 a.m. – 9 p.m., EST

Email cservice@welltraveled.net

Live Chat www.balkenehome.com 9 a.m. – 9 p.m., EST, Mon – Fri



TABLE OF CONTENTS

Before You Begin	Page 2
Safety Information	Page 3
Package Contents	Page 4
Hardware Contents	Page 4
Assembly	Page 5-15
Operating Instructions	Page 16-19
Care and Maintenance	Page 20
Troubleshooting	Page 21
Specifications / Table of Injector	Page 22
Warranty Information	Page 23



BEFORE YOU BEGIN

Please read and understand this entire manual before attempting to assemble, operate or install this appliance. If you have any questions regarding the product, please email us at cservice@welltraveled.net.
English & Spanish speaking.

This manual contains important information about the assembly, operation and maintenance of this patio heater. General safety information is presented in the first few pages and is also located throughout this manual. Keep this manual for future reference and to educate new users of this appliance. This manual should be read in conjunction with the labeling on the appliance. Safety precautions are essential when any mechanical or propane fueled equipment is involved. These precautions are necessary when using, storing, and servicing. Using this appliance with the respect and caution demanded will reduce the possibilities of personal injury or property damage. The symbols shown on the following page are used extensively throughout this manual. Always heed these precautions, as they are essential when using any mechanical or propane fueled equipment.



DANGER

EXPLOSION—FIRE HAZARD

- Keep solid combustibles, such as building materials, paper, or cardboard a safe distance away from the heater as recommended by the instructions.
- Provide adequate clearances around air openings into the combustion chamber.
- Never use the heater in spaces which do or may contain volatile or airborne combustibles, or products such as gasoline, solvents, paint thinner, dust particles, or unknown chemicals.
- During operation, this appliance can be a source of ignition. Keep heater area clear and free from combustible materials, gasoline, paint thinner, cleaning solvents and other flammable vapors and liquids. Do not use heater in areas with high dust content. Minimum heater clearances from combustible materials: 3 feet/36 inches from top and 2 feet/24 inches from sides.
- Never store propane near high heat, open flames, pilot lights, direct sunlight, other ignition sources, or where temperatures exceed 120° F (49° C).
- Propane vapors are heavier than air and can accumulate in low places. If you smell gas, leave the area immediately.
- Never install or remove a propane cylinder while the heater is lighted, near flame, pilot lights, or other ignition sources or while heater is hot to the touch.
- This heater is red hot during use and can ignite flammables too close to the burner. keep flammables at least 3.3 feet/40 inches/1 meter) from top and sides. keep gasoline and other flammable liquids and vapors well away from heater.
- Store the propane cylinder outdoors in a well-ventilated space out of the reach of children. Never store the propane cylinder in an enclosed area (house, garage, etc.). If heater is to be stored indoors, disconnect the propane cylinder for outdoor storage.

WARNING: FOR OUTDOOR USE ONLY

CARBON MONOXIDE HAZARD

This appliance can produce carbon monoxide which has no odor. Using it in an enclosed space can kill you. Never use this appliance in an enclosed space such as a camper, tent or home.

DANGER

CARBON MONOXIDE HAZARD

- This heater is a combustion appliance. All combustion appliances produce carbon monoxide (CO) during the combustion process. This product is designed to produce extremely minute, non-hazardous amounts of CO if used and maintained in accordance with all warnings and instructions. Do not block the air flow into or out of the heater.
- Carbon Monoxide (CO) poisoning produces flu-like symptoms, water eyes, headaches, dizziness, fatigue, and possibly death. You can't see and you can't smell it. It is an invisible killer. If these symptoms are present during operation of this product, get fresh air immediately!
- For outdoor use only.
- Never use inside house or other unventilated or enclosed areas.
- This heater consumes air (oxygen). Do not use in unventilated or enclosed areas to avoid endangering your life.

WARNING

WARNING indicates an imminently hazardous situation which, if not avoided, will result in death or serious injury.

WARNING

BURN HAZARD

- Never leave heater unattended when hot or in use.
- Keep out of reach of children.

WARNING

Certain materials or items, when stored under the heater, will be subject to radiant heat and could be seriously damaged.

CAUTION

CAUTION indicates an imminently hazardous situation which, if not avoided, may result in minor or moderate personal injury, or property damage.

CAUTION

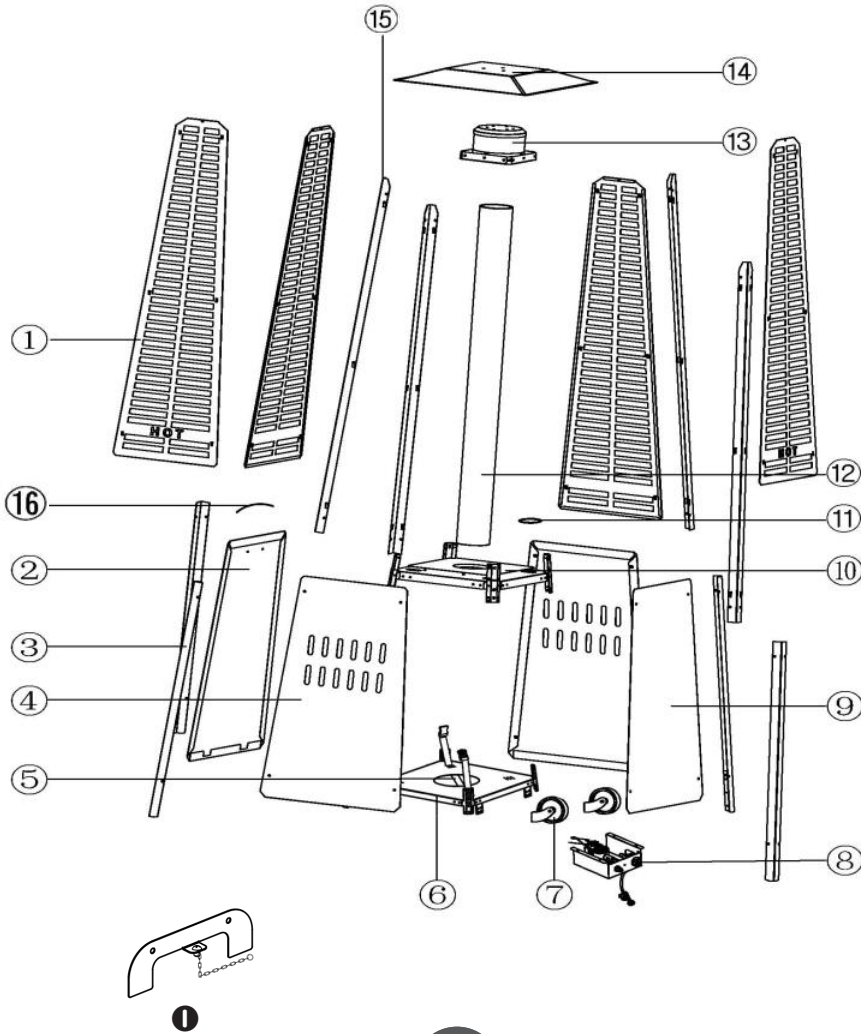
SERVICE SAFETY

- Keep all connections and fittings clean. Make sure propane cylinder valve outlet is clean.
- During set up, check all connections and fittings for leaks using soapy water, never use a flame to check for leaks.
- Use as a heating appliance only. Never alter in any way to use with any device.

WARNING

- This product is fueled by propane gas. Propane gas is invisible, odorless, and flammable. An odorant is normally added to help detect leaks and can be described as having a "rotten egg" smell. The odorant can fade over time so leaking gas is not always detectable by smell alone.
- Propane gas is heavier than air and leaking propane will sink to the lowest level possible. It can ignite by ignition sources including matches, lighters, sparks or open flames of any kind many feet away from the original leak. Use only propane gas set up for vapor withdrawal.
- Store and use propane gas in compliance with local ordinances and codes or with ANSI/NFPA 58. Always turn off propane when not in use.
- Alert children and adults to the hazards of high surface temperatures. Stay away from these surfaces to avoid burning skin or igniting clothing.
- Carefully supervise young children when in the vicinity of the heater.
- Do not hang clothing or any other flammable materials from the heater, or place near the heater.
- Replace any guard or protective device removed for servicing the appliance prior to placing back in service.
- Installation and repair should be done by a qualified service person. The heater should be inspected before each use, and annually by a qualified service person. More frequent cleaning may be required as necessary. It is imperative that the control compartment, burners, and circulating air passageway of the appliance be kept clean.

PACKAGE CONTENTS

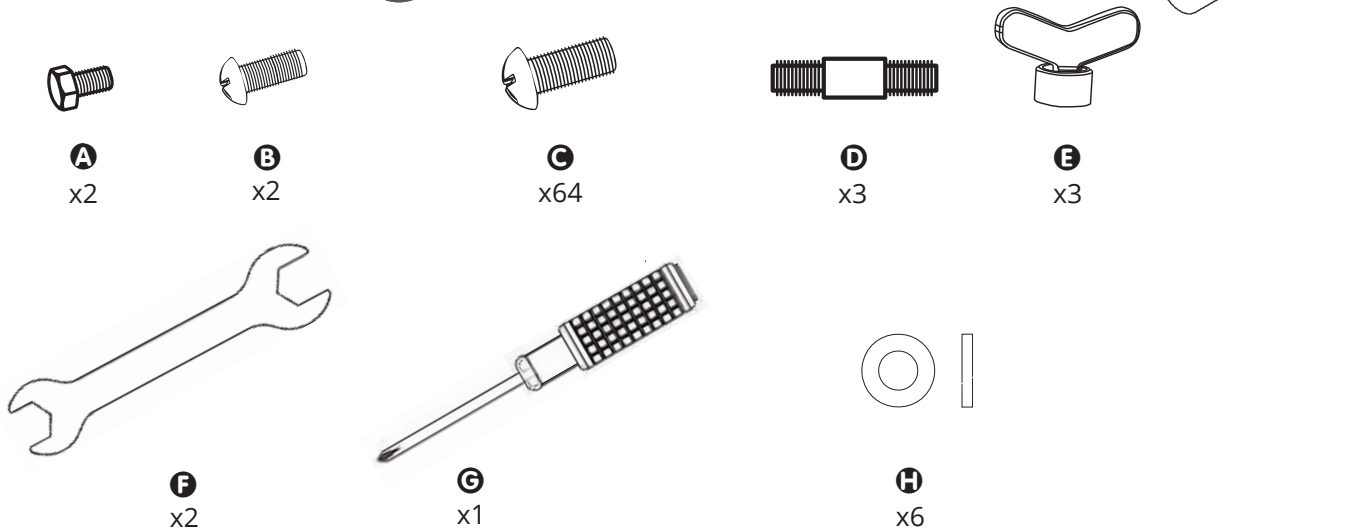


PART	DESCRIPTION	QTY
1	Guard Screen	4
2	Door Panel	1
3	Lower Support	4
4	Side Panel	2
5	Gas Cylinder Bracket	3
6	Base Plate	1
7	Wheel	2
8	Control Box	1
9	Back Panel	1
10	Middle Plate	1
11	Silicone Ring	1
12	Flame Tube	1
13	Emitter	1
14	Reflector	1
15	Upper Support	4
16	Handle	1
I	Handle Bracket (pre-installed)	1

Requires one AA battery (not included).
Install behind Igniter Button.



HARDWARE CONTENTS





PREPARATION

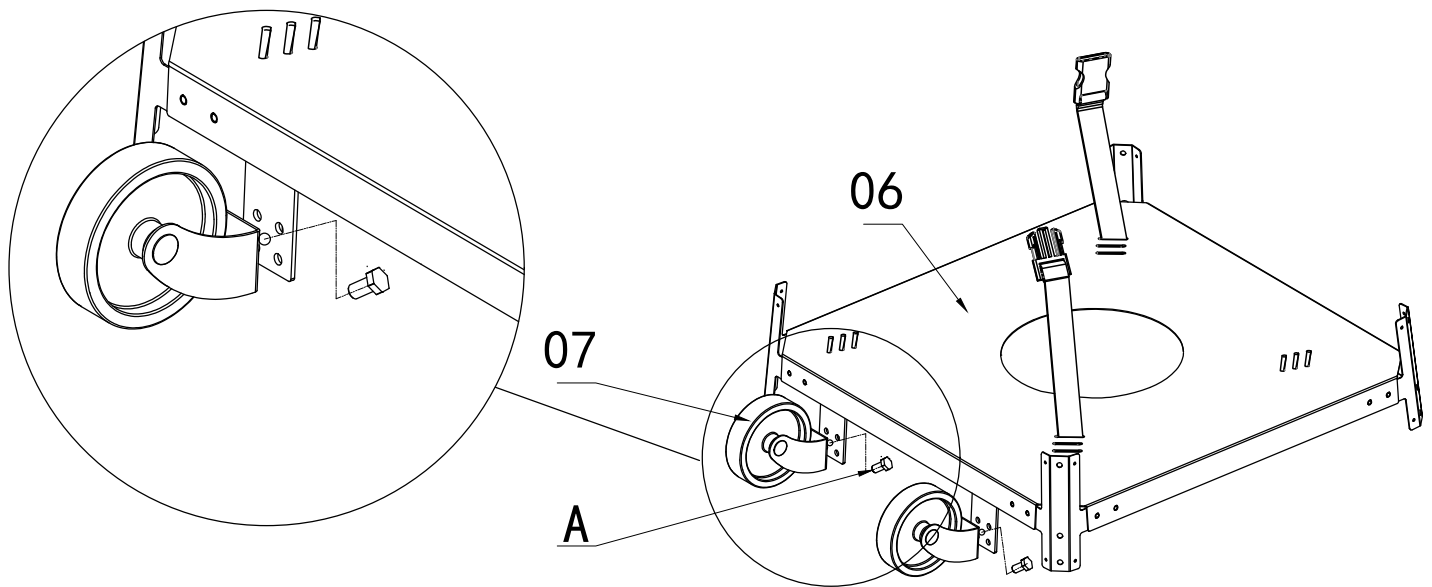
Before beginning assembly of this appliance, make sure all parts are present. Compare all parts with package contents list and hardware contents as listed on the previous page of this manual. If any part is missing or damaged, do not attempt to assemble this product. Contact customer service for replacement parts.

ESTIMATED ASSEMBLY TIME: 90 minutes

Tools Required for Assembly (NOT included): Adjustable Crescent Wrench, Leak Test Solution, AA Battery

Note: This heater has an Electronic Ignition and will require installation of 1 - AA battery. The battery should be installed by unscrewing the IGNITER BUTTON - battery not included.

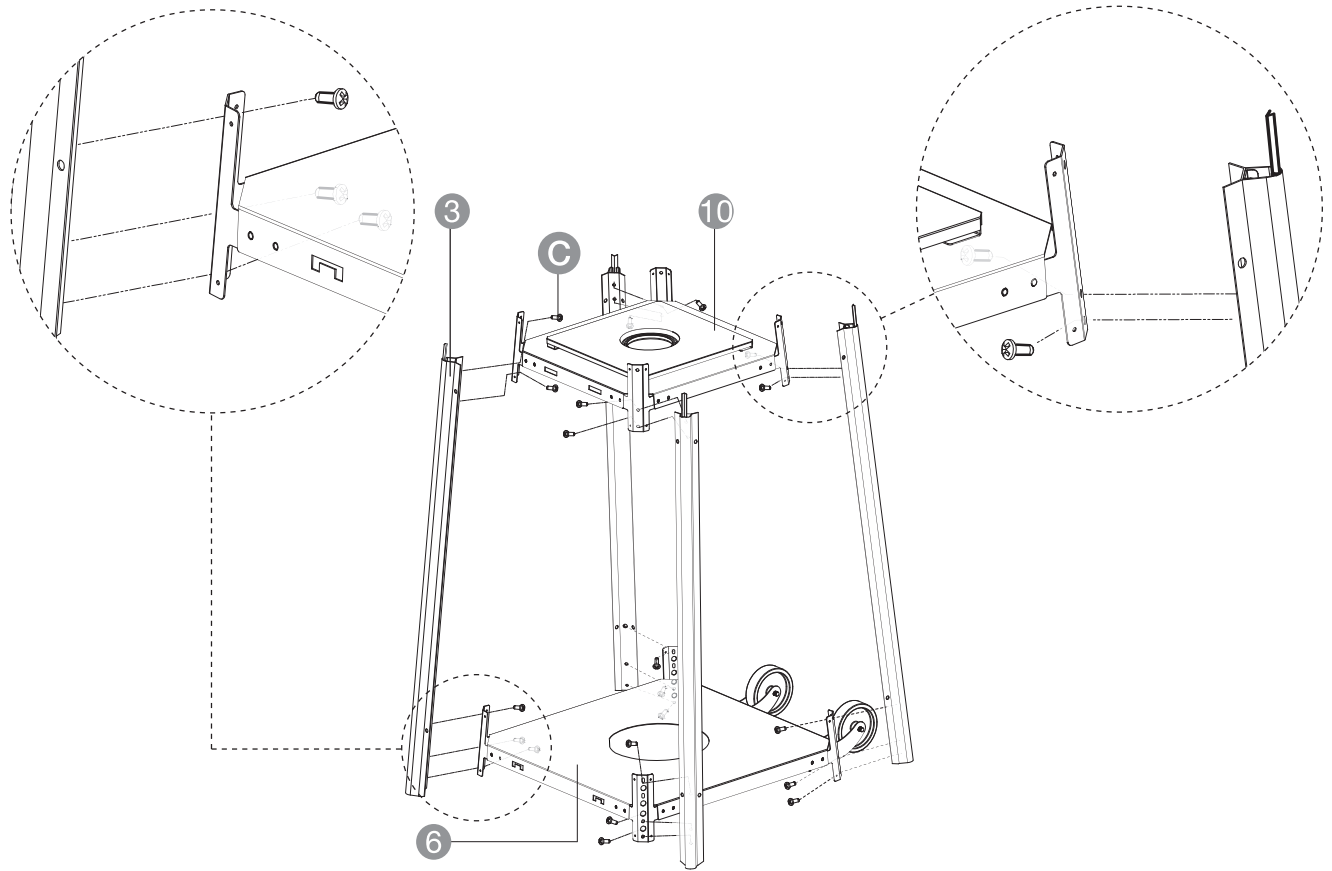
1



Hardware used: Bolt **A** x2

Attach 2 wheels **7** to the base plate **6** with 2 bolts **A**. Pay attention to the direction of the wheels when attaching. Make sure the wheel brackets point towards the upper side of the base plate (the side where the gas cylinder brackets are attached). For easier installation, turn the base plate over before attaching the wheels.

2

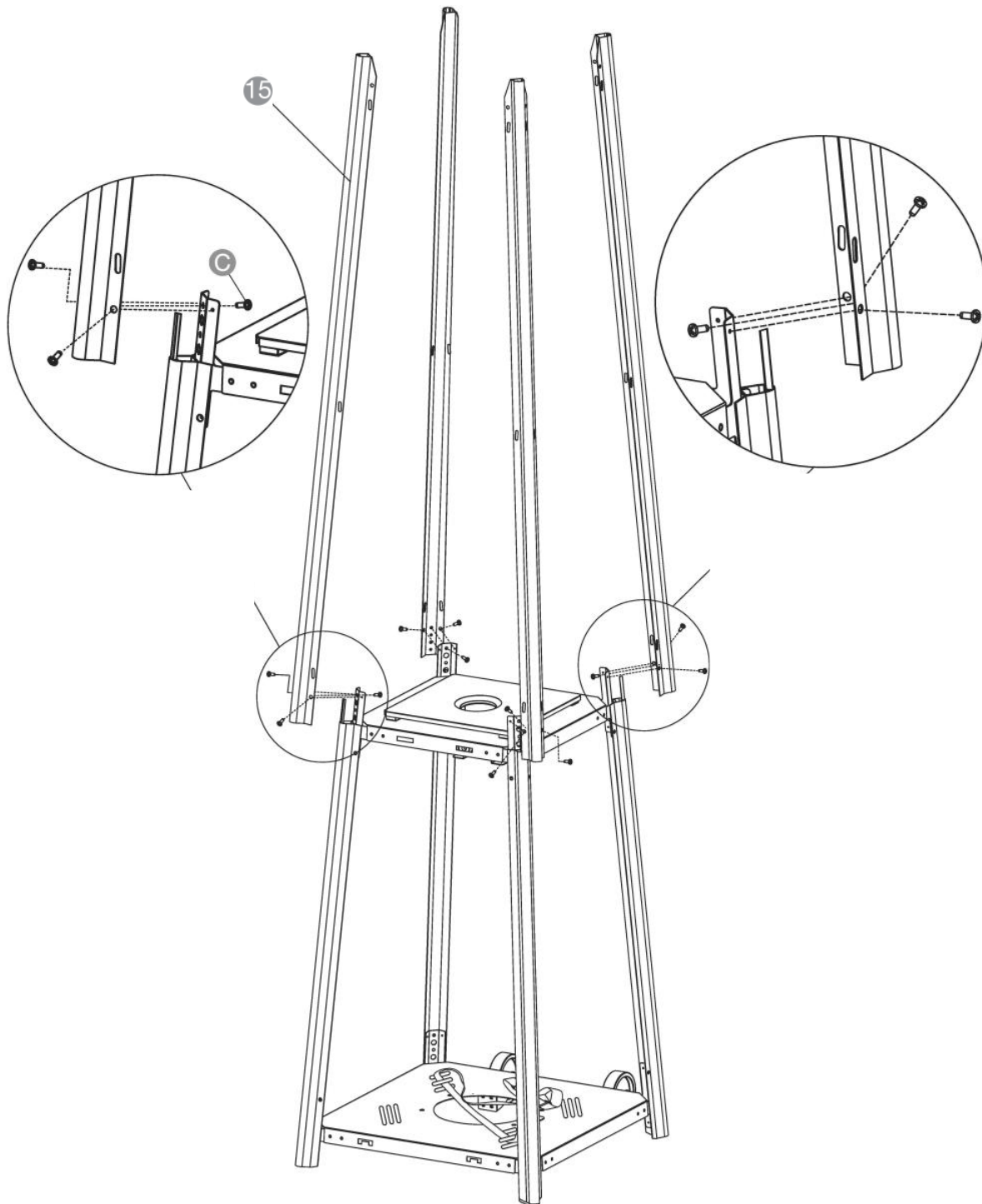


Hardware used: Screw **C** x20

Assemble the lower frame. Align the eyelets at the bottom of lower supports **3** with the small eyelets on the corners of the base plate **6**. Fasten the lower supports to the base plate using 12 screws **C**. Attach the middle plate **10** at the top of the lower supports using 8 screws **C**.

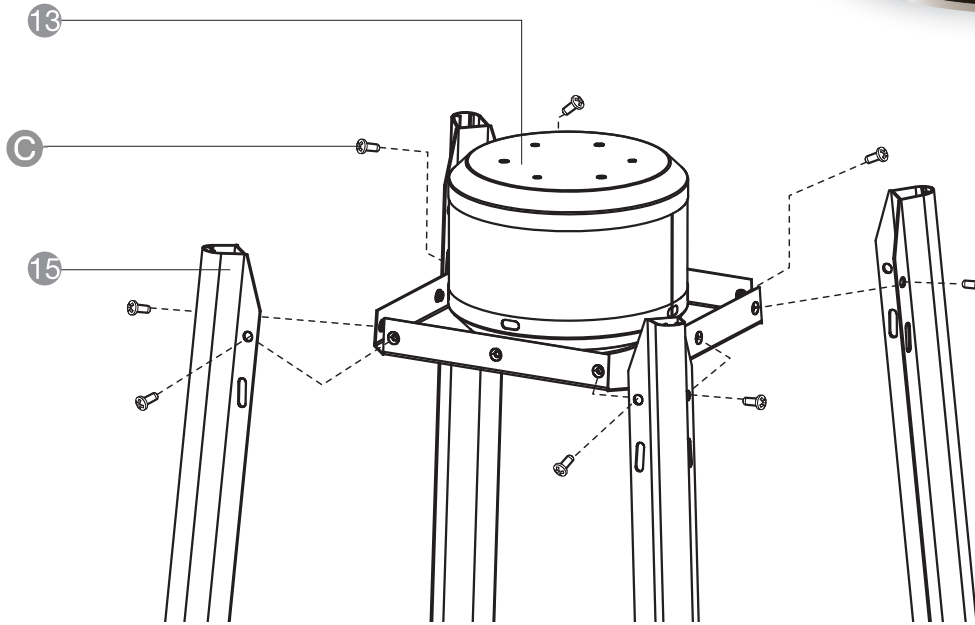
The arrow sticker on the middle plate must point in the same direction as the corresponding sticker on the base plate.

3

**Hardware used: Screw C x12**

- 1 Slide the 4 upper supports 15 onto the lower supports 3.
- 2 Slide the corresponding opening of the upper supports onto the v-shaped rail of the lower supports.
- 3 The upper and lower support brackets need to fit flush. Secure the connections using 12 screws C.

4

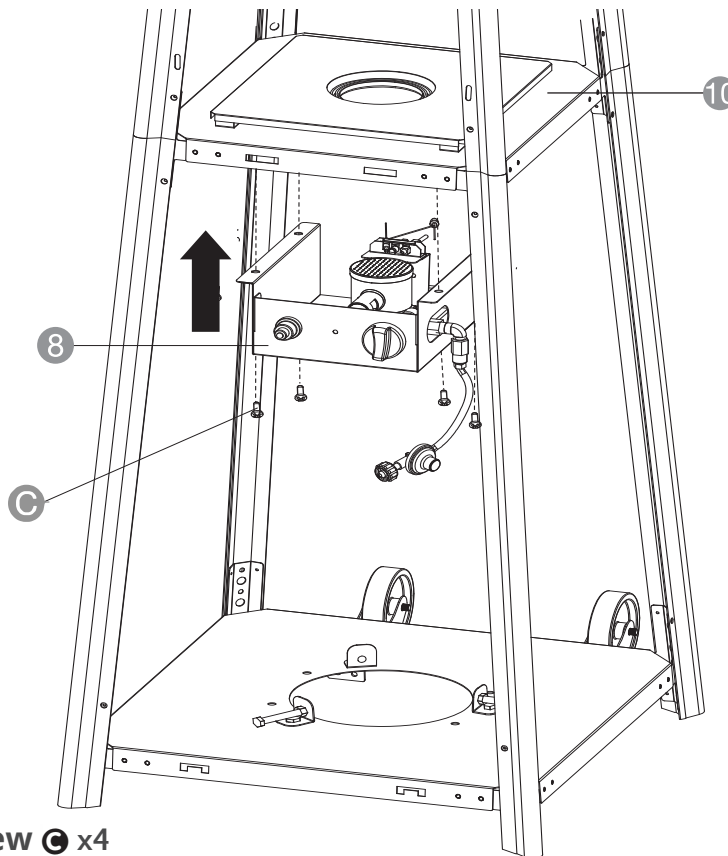


Hardware used: Screw C x8

Attach the emitter 13 to the upper supports 15 using 8 screws C.

▲ NOTICE: Assembly step 5 may require a ladder. Follow safety precautions when working on a ladder.

5

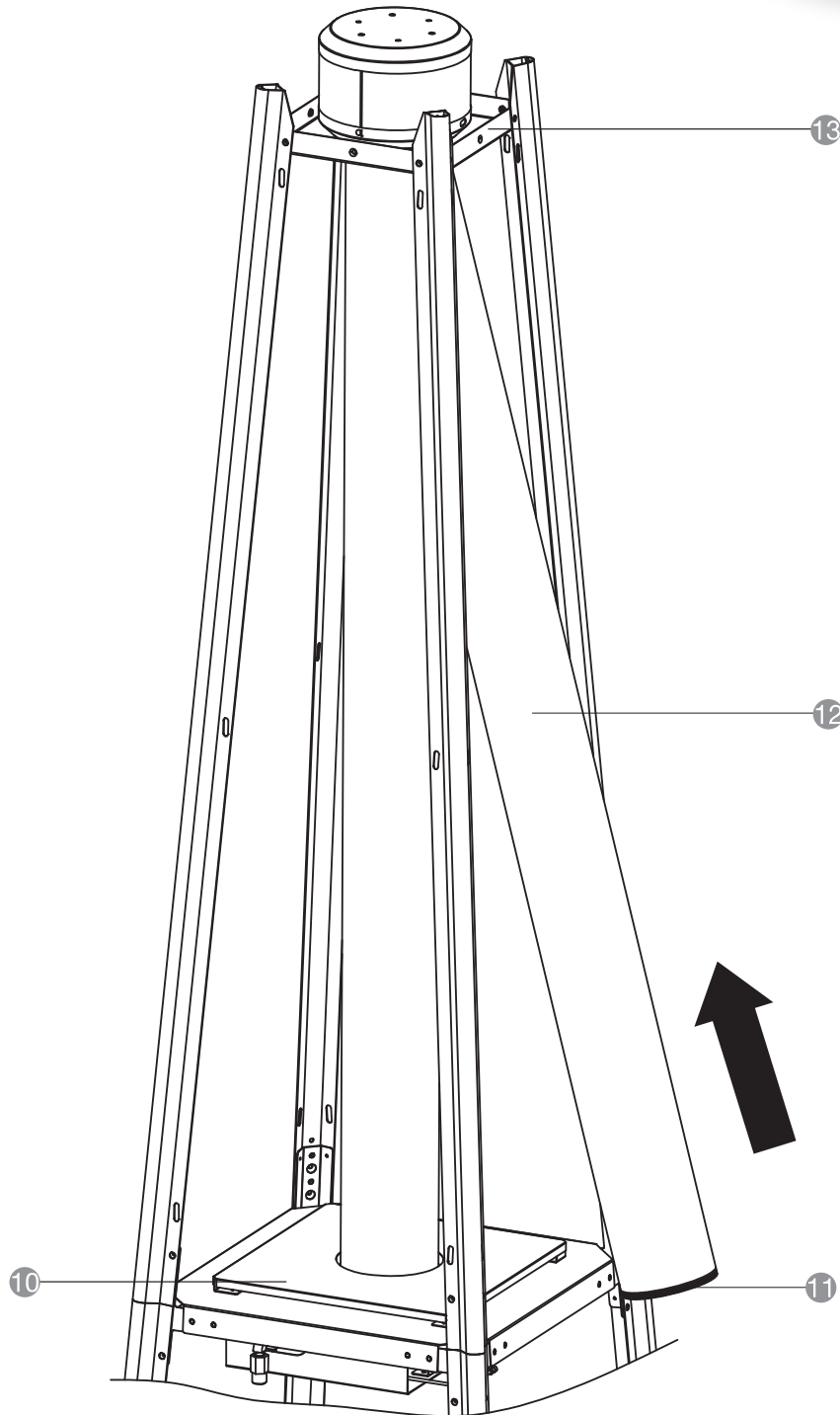


Hardware used: Screw C x4

Attach the control box 8 to the bottom of the middle plate 10 using 4 screws C.

▲ NOTICE: From step 6 on, you may continue the assembly without battery, or insert 1 AA battery (not included) into the control box at any time (see section "Operation-Inserting Battery").

6

**⚠ WARNING**

The black silicone ring **11** must be in place around the lower rim of the flame tube **12** prior to operating the product.

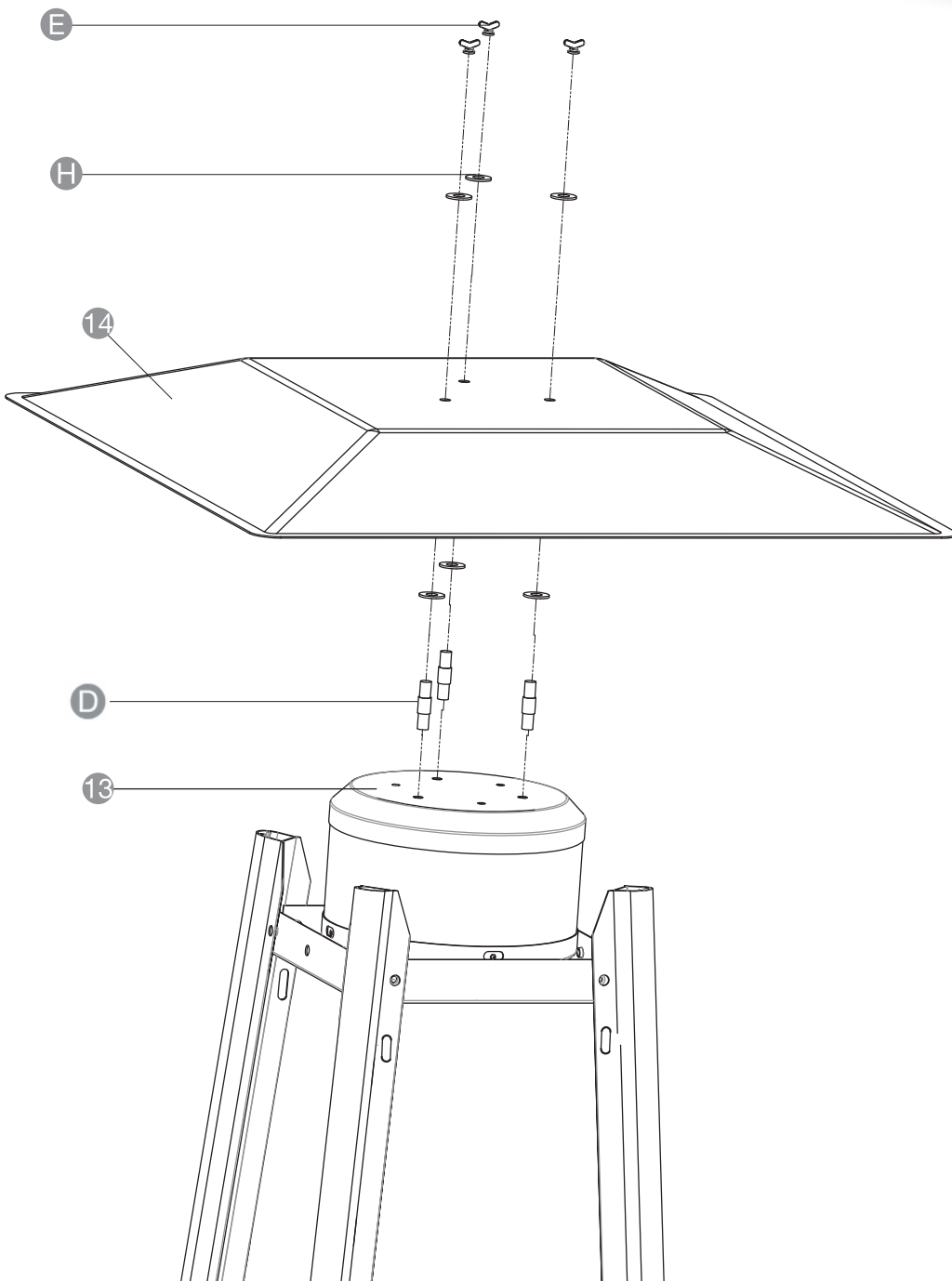
Place the black silicone ring around the bottom edge of the flame tube.

Carefully install the flame tube by guiding it up into the open bottom of the emitter **13**. Do not force the tube.

Slide the bottom of the flame tube laterally into place and settle it into the hole in the center of the middle plate **10**.

Ensure that the tube is positioned properly to completely cover the hole.

7



Hardware used: Stud **D x3, Washer **H** x6, Wing Nut **E** x3**

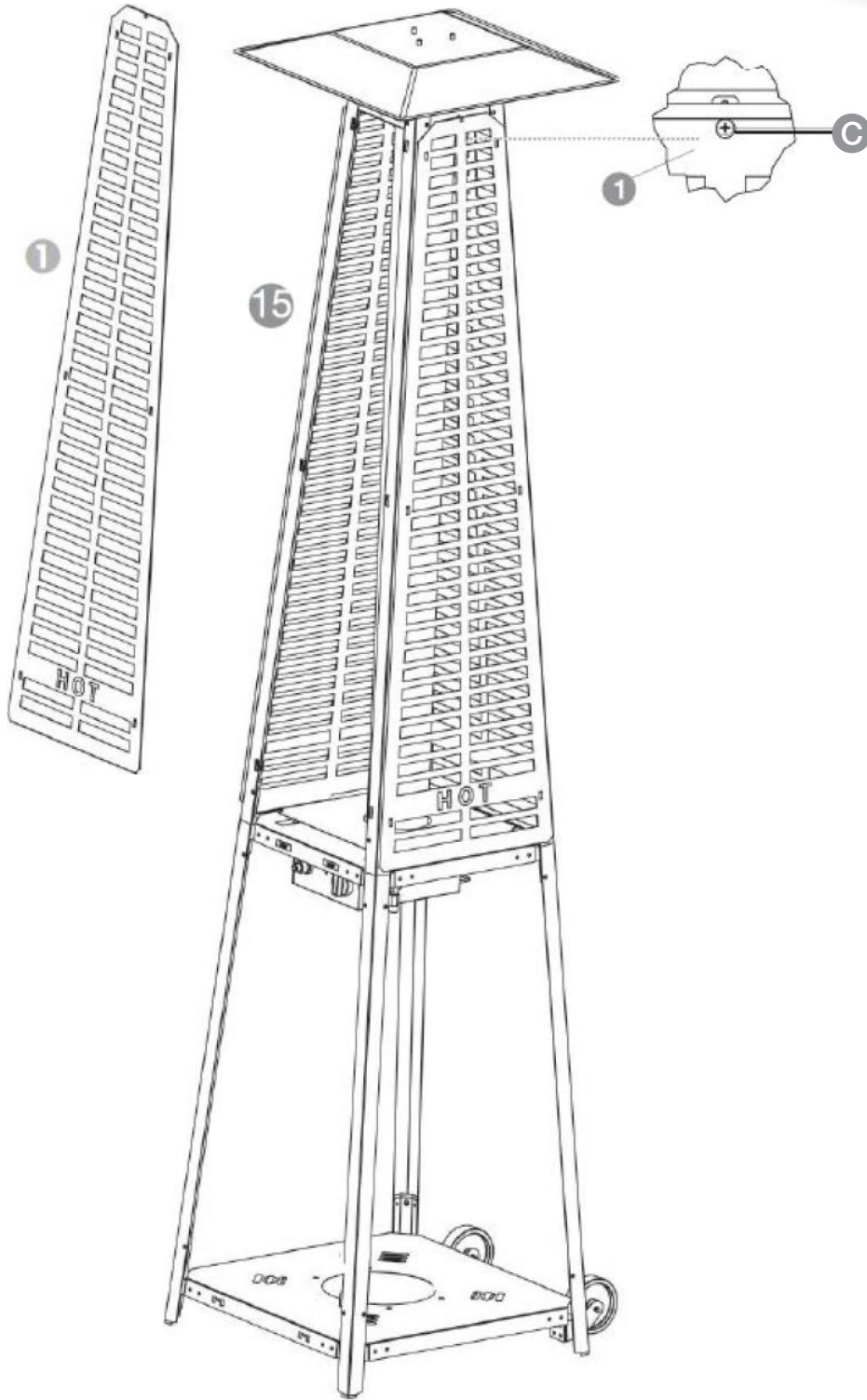
Attach the reflector **14** to the emitter **13**. Screw the 3 reflector studs **D** into the top of the emitter, then slide 3 washers **H** onto the studs.

Slide the reflector's drilled holes onto the studs.

Slide 3 washers onto the studs and secure the connection with 3 wing nuts **E**.

▲ NOTICE: Assembly step 7 may require a ladder. Follow safety precautions when working on a ladder.

8



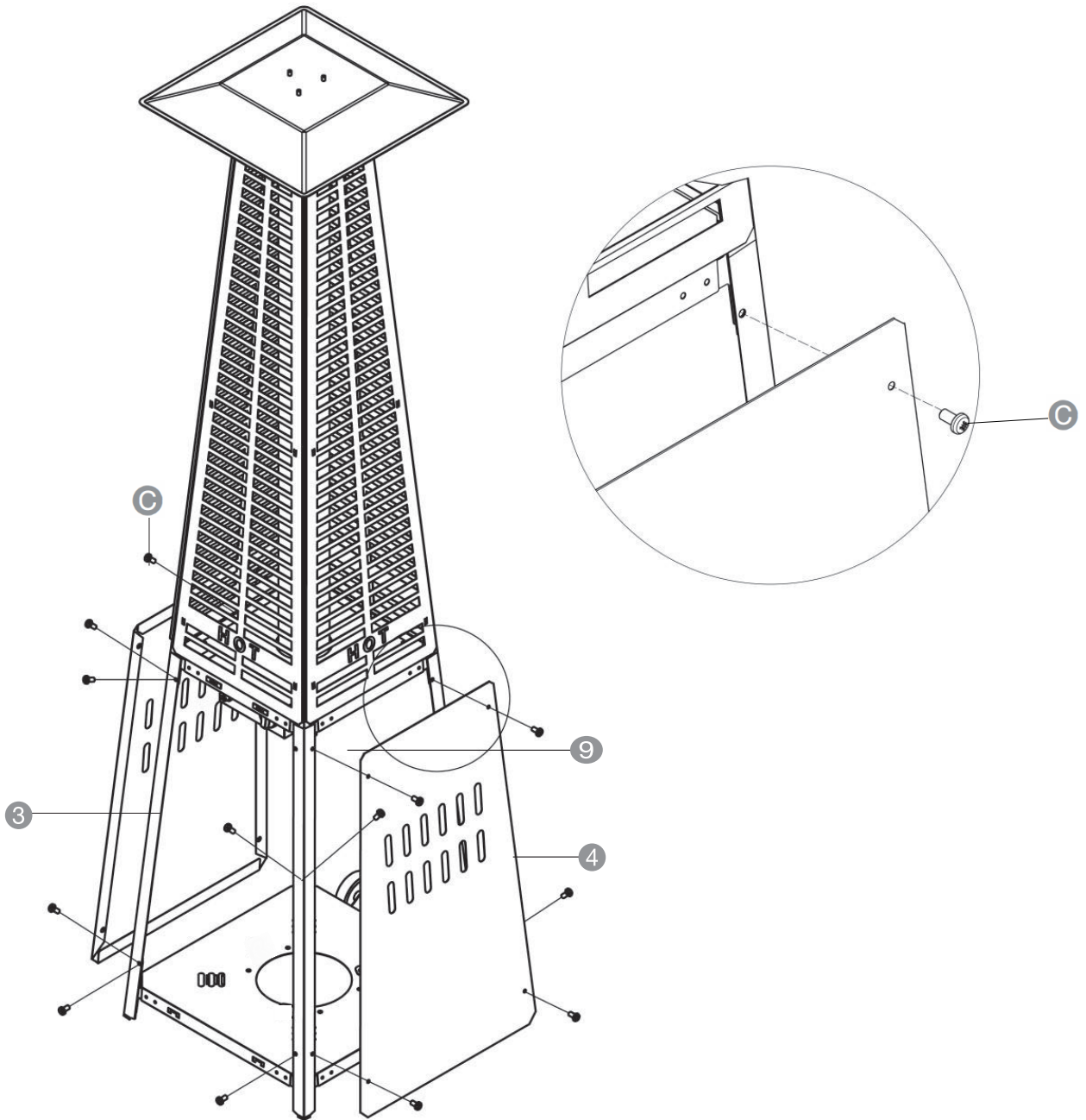
Hardware used: Screw C x4

Install the guard screens 1:

Hang the hooks of the guard screens into the holes near the top, middle, and bottom of the upper supports 15.

Secure the guard screens by inserting and tightening a screw C at the top of each screen.

9

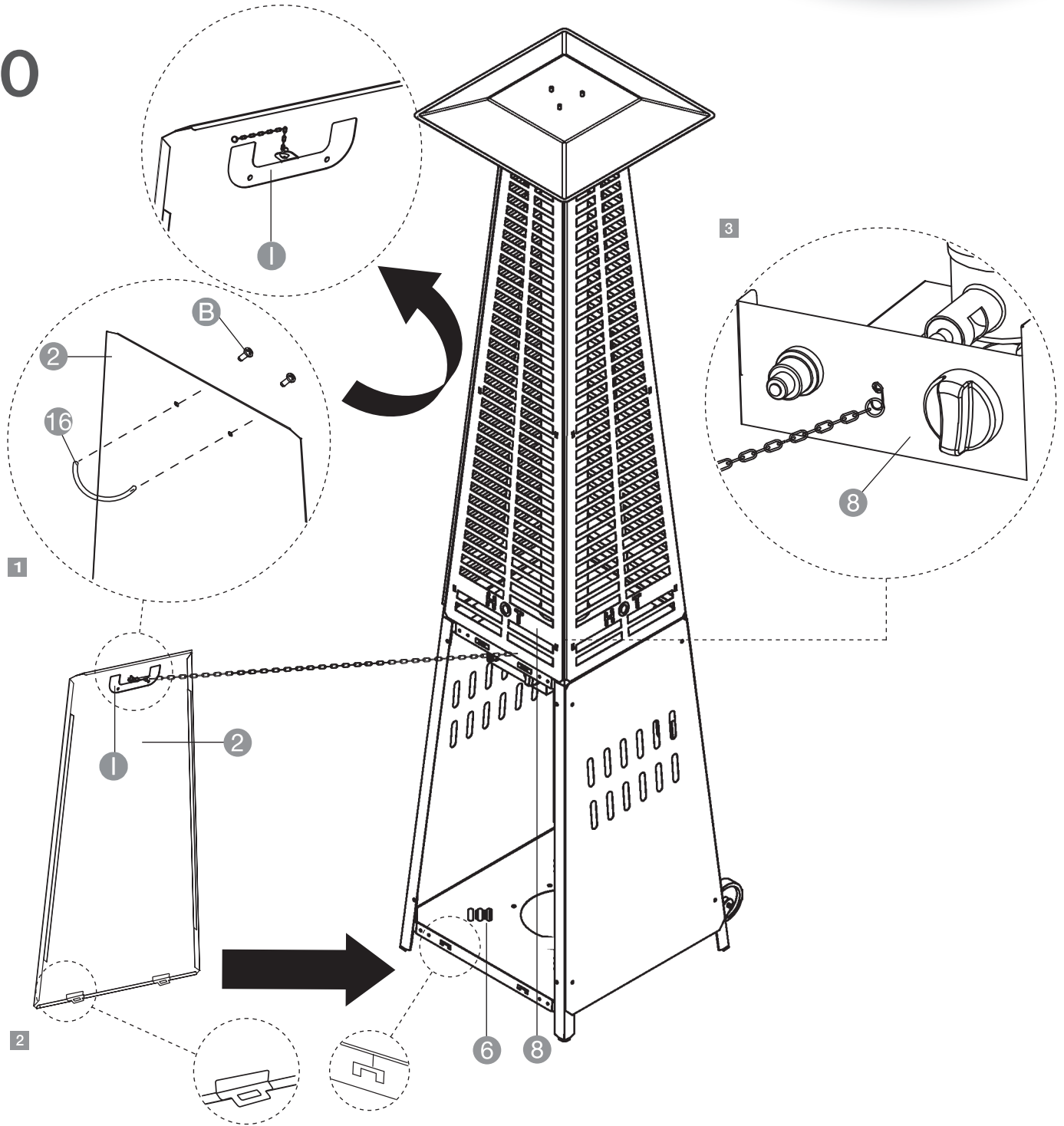

Hardware used: Screw C x16

Attach the side panels 4 and the back panel 9 to the product using 4 screws C per panel.

On the front side, insert the 4 screws C directly into the matching holes on the lower supports 3.

▲ NOTICE: Do not cover the front (where the control knob of the control box faces).

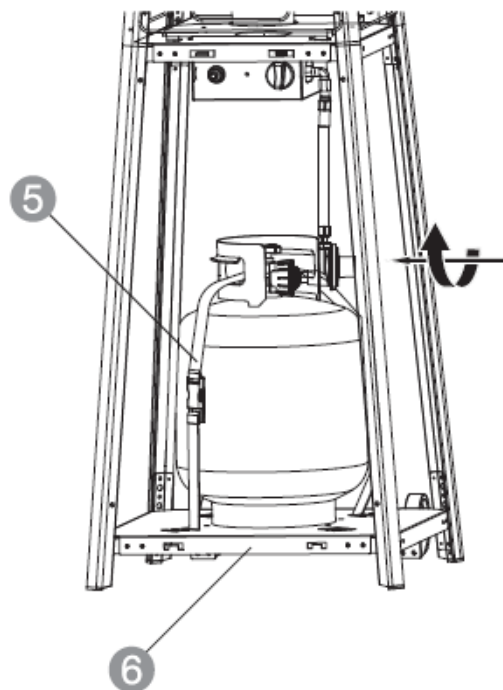
10



Hardware/Parts used: Screw B x2, Handle Brace 1

- 1 Attach the handle 16 to the outside of the door panel 2 and connect it with the handle brace 1 on the inside of the door panel using 2 screws B.
- 2 Insert the tabs on the bottom of the door panel into the tab holes at the front of the base plate 6.
- 3 Attach the chain at the hook on the front of the control box 8.

11

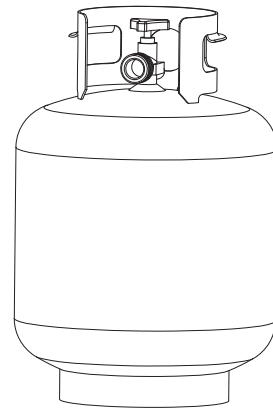


- Place an LPG cylinder (not included) on the base plate **6**. Secure the gas tank with the gas cylinder strap **5** (pre-installed). Connect the regulator end of the gas hose with the LPG cylinder (not included). Do not cross-thread.

⚠ NOTICE: Only use LPG cylinders with following dimensions: 30.5 cm (Ø) x 57.1 cm (H)

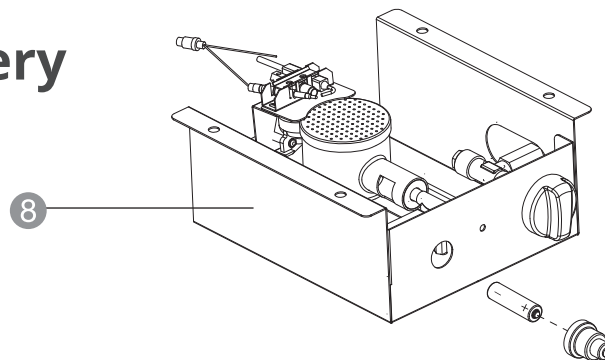
Information on Gas Cylinders

- Use this product only with a LPG vapor withdrawal supply system.
- Storage of the product indoors is permissible only if the cylinder is disconnected and removed from the product. A cylinder must be stored outdoors in a well-ventilated area out of the reach of children. A disconnected cylinder must have dust caps tightly installed and must not be stored in a building, garage or any other enclosed area.
- The pressure regulator and hose assembly supplied with the product must be used.
- Check the hose and regulator before use.
- Inspect the visible hose portion of the regulator before use. Check it completely at least annually.
- Replacements of the hose and regulator must be those specified by the manufacturer.
- The hose and regulator must be UUCSA certified, the outlet pressure of the regulator must be according to the table in the "Specifications" chapter. Suitable spare parts are available from specialist dealers.
- The installation must conform with local codes.
- A dented, rusted or damaged LPG cylinder may be hazardous and should be checked by your LPG supplier. Never use a LPG cylinder with a damaged valve connection.
- The length of the hose cannot exceed 4.6 ft.
- The cylinder must have a listed overfilling prevention device.
- The cylinder must have a connection device compatible with the connection for the product.
- The cylinder must include a collar to protect the cylinder valve.
- Never connect an unregulated LPG cylinder to the product.
- Do not store a spare LPG cylinder under or near this product.
- Never fill the cylinder beyond 80 % full.
- Place the dust cap on the cylinder valve outlet whenever the cylinder is not in use. Only install the type of dust cap on the cylinder valve that is provided with the cylinder valve. Other types of caps or plugs may result in leakage of LPG.



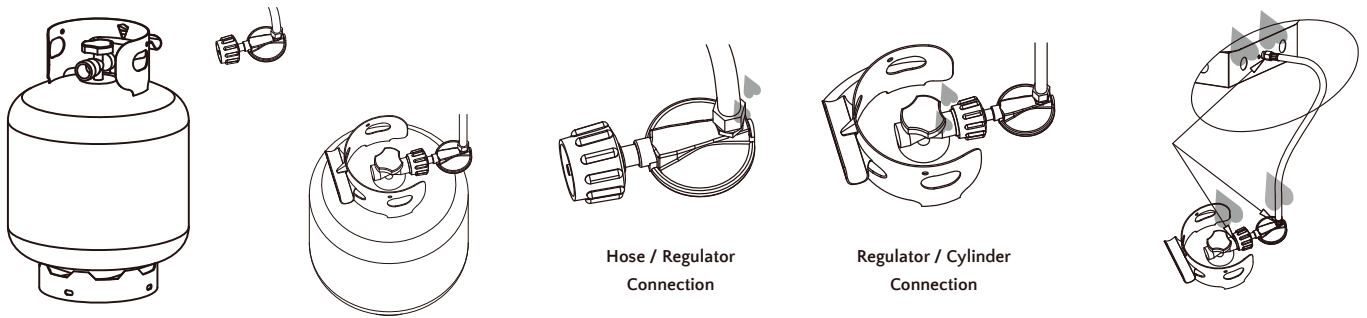
OPERATION

Inserting Battery



- Unscrew the ignition switch button on the control box ⑧. Install 1 AA battery (not included) with the + polarity end facing OUT.
- Screw the ignition switch button back in.

⚠ NOTICE: Always insert the battery with correct polarity (+ and -) orientation marked on the battery and product.



A minimum supply pressure of .5 psi is required for the purpose of input adjustment of propane gas. Storage of this patio heater indoors is permissible only if the cylinder is disconnected and removed from the appliance. A cylinder must be stored outdoors in a well-ventilated area out of the reach of children. A disconnected cylinder must have dust caps tightly installed and must not be stored in a building, garage, or any other enclosed area. The minimum permissible gas supply pressure of 11 W.C. is required for purpose of hose adjustment. The minimum hourly of 17,500 BTU is required input rating for a heater for automatic operation rating less than full input rating.

The pressure regulator and hose assembly supplied with the appliance must be used.

The installation must conform with local codes.

A dented rusted or damaged propane cylinder may be hazardous and should be checked by your local cylinder supplier. Never use a propane cylinder with a damaged valve connection. The propane cylinder must be constructed and marked in accordance with the specifications for LP gas cylinders of the U.S. Department of Transportation (DOT) or the standard for cylinders, spheres and tubes for transportation of dangerous goods and commission, CAN/CSA-B339.

- Do not store a spare LP-gas cylinder under or near this appliance.
- Never fill the cylinder beyond 80 percent full.
- Place the dust cap on the cylinder valve outlet whenever the cylinder is not in use. Only install the type of dust cap on the cylinder valve that is provided with the cylinder valve. Other types of caps or plugs may result in leakage of propane.

- The cylinder must have a listed overfilling prevention device.
- The cylinder must have a connection device compatible with the connection for the appliance.
- The cylinder used must include a collar to protect the cylinder valve.
- Never connect an unregulated propane cylinder to the heater.

OPERATING INSTRUCTIONS

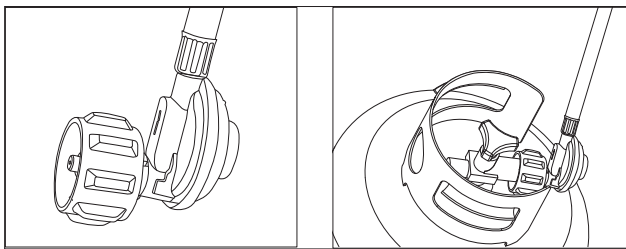


LEAK TEST

1. Make 2-3 oz. of leak test solution (one part liquid dish washing detergent and three parts water).
2. Apply several drops of solution where hose attaches to regulator.
3. Apply several drops of solution where regulator connects to cylinder.
4. Make sure all patio heater valves are OFF.
5. Turn cylinder valve ON.

WARNING

- Perform all leak tests outdoors.
- Extinguish all open flames.
- NEVER leak test when smoking
- Do not use heater until all connections have been leak tested and show no signs of leakage.



IF BUBBLES APPEAR AT ANY CONNECTION, THERE IS A LEAK.

1. Turn cylinder valve OFF.
2. If leak is detected at hose/regulator connection, tighten connection and perform another leak test. If bubbles continue to appear, call our customer service hotline at **(866) 985-7877**, 9 a.m. – 9 p.m., EST.
3. If leak is detected at regulator/cylinder valve connection, disconnect, reconnect, and perform another leak test. If you continue to see bubbles after several attempts, cylinder valve is defective. Call our customer service hotline at **(866) 985-7877**, 9 a.m. – 9 p.m., EST.

IF NO BUBBLES APPEAR AT ANY CONNECTION, THE CONNECTIONS ARE SECURE.

Note: Whenever gas connections are loosened or removed, you must perform a complete leak test.

WARNING: FOR OUTDOOR USE ONLY

CARBON MONOXIDE HAZARD

This appliance can produce carbon monoxide which has no odor. Using it in an enclosed space can kill you. Never use this appliance in an enclosed space such as a camper, tent or home.

Caution: Do not attempt to operate this appliance until you have read and understand all Safety Information in this manual and all assembly is complete and leak tests have been performed.

BEFORE TURNING GAS SUPPLY ON:

1. Your heater was designed and approved for **OUTDOOR use only**. Do NOT use it inside a building, garage, or any other enclosed area.
2. Make sure surrounding areas are free of combustible materials, gasoline, and other flammable vapors or liquids.
3. Ensure that there is no obstruction to air ventilation. Be sure all gas connections are tight and there are no leaks.
4. Be sure the cylinder cover is clear of debris. Be sure any component removed during assembly or servicing is replaced and fastened prior to starting.

BEFORE LIGHTING:

1. Heater should be thoroughly inspected before each use, and by a qualified service person at least annually. If re-lighting a hot heater, always wait at least 5 minutes.
2. Inspect the hose assembly for evidence of excessive abrasion, cuts, or wear. Suspected areas should be leak tested. If the hose leaks, replace it prior to operation. Only use the replacement hose assembly specified by the manufacturer.

Lighting Instructions

NOTE: For initial start, or after any cylinder change, depress control knob for 2 minutes to purge air from gas lines before proceeding.

1. Ensure the control knob is in the OFF position. Slowly open the LPG cylinder valve.
2. Press and turn the control knob to the **PILOT** position (counterclockwise). While depressing the control knob, press the red igniter button. You should hear a sparking/clicking sound of the electronic igniter.
3. Continue to hold in the control knob and check for the pilot flame through the glass tube. If the pilot does not light, turn the control knob clockwise to the **OFF** position. Repeat steps 2-3.

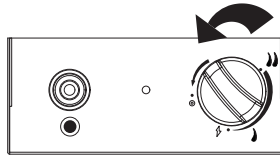


Figure 1

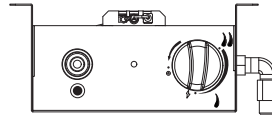


Figure 2

4. Once the pilot flame is lit, release the control knob and turn clockwise to **HIGH** or the preferred heat level.
5. To turn the heater off, turn the control knob clockwise to **PILOT**. Depress the control knob and turn clockwise to **OFF**. Close the valve on the LPG cylinder when the product is not in use.

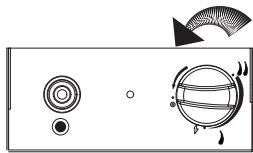


Figure 3

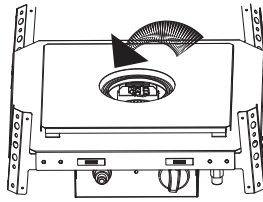


Figure 4

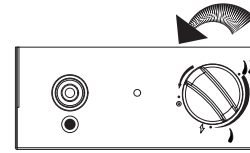


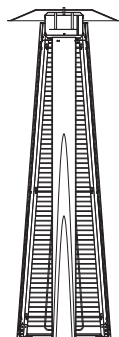
Figure 5

NOTICE If pilot fails to remain lit, close all valves and wait at least 5 minutes before attempting to light again.

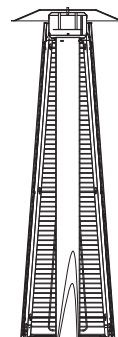
CAUTION Avoid inhaling fumes emitted from the heater's first use. Smoke and odor from the burning of oils used in manufacturing may appear. Both smoke and odor will dissipate after about 30 minutes. The heater should not produce thick black smoke.

NOTICE The burner may be noisy when initially turned on. To eliminate excessive noise from the burner, turn the control knob to the **PILOT** position. Then, turn the knob to the desired heat level.

NOTICE Under normal conditions, the flame height at **HIGH** setting is approximately 2/3 of the height of the flame tube, and the flame height at **LOW** setting is approximately 1/3 of the height of the flame tube. The flame should be stable and bright, and not produce noise at a distracting level or create smoke. If you notice noise or smoke, this is abnormal operation.



Normal flame



Abnormal flame

WARNING **Risk of injury!** Be careful when attempting to manually ignite this product. Holding in the control knob for more than 10 seconds before igniting the gas will cause a ball of flame upon ignition.



OPERATION CHECKLIST:

For a safe and pleasant heating experience, perform this check before each use:

BEFORE OPERATING:

- I am familiar with entire owner's manual and understand all precautions noted.
- All components are properly assembled, intact and operable.
- No alterations have been made.
- All gas connections are secure and do not leak.
- Wind velocity is below 10 mph.
- Heater is for use outdoors (outside any enclosure).
- There is adequate fresh air ventilation.
- Heater is away from gasoline or other flammable liquids or vapors.
- Heater is away from windows, air intake openings, sprinklers and other water sources.
- Heater has at least 3.3'/40"/1m clearance overhead and on on sides from combustible materials.
- Heater is on a hard and level surface.
- There are no signs of spider or insect nests in heater orifices.
- All burner passages are clear.
- All air circulation passages are clear.
- Clothing or other protective material should not be hung from the heater, or placed on or near the heater.
- Any guard or other protective device removed for servicing the heater must be replaced prior to operating the heater.
- Installation and repair should be done by a qualified service person. The heater should be inspected before each use and at least annually by a qualified service person.

OPERATION INFORMATION AND SAFETY:

- Unit will operate at reduced efficiency below 40°F.
- Alert children and adults to the hazards of high surface temperatures and should stay away to avoid burns or clothing ignition.
- Carefully supervise young children in the area of the heater.
- More frequent cleaning may be required as necessary. It is imperative that control compartment burner and circulating air passageways of the heater be kept clean and free of debris and/or spider or insect nests.



RE-LIGHTING:

For your safety, the control knob cannot be turned off without first depressing the control knob in the **PILOT** position and then rotating it to the **OFF** position.

1. Turn the control knob to **OFF**. Wait at least 5 minutes for gas to dissipate.
2. Repeat the steps under **LIGHTING INSTRUCTIONS** on the previous page.



DURING OPERATION:

Flame should be mostly blue and yellow. If excessive flame or smoke is detected, turn off heater and consult "Troubleshooting" section of manual.



WARNING

FOR YOUR SAFETY
Heater will be hot after use. Handle with extreme care.



SHUT DOWN:

1. Turn control knob clockwise to OFF while depressing the knob. (Normally, burner may make a slight popping noise when extinguished).
2. Turn cylinder valve clockwise to OFF and disconnect regulator when heater is not in use.

NOTE: After use, some discoloration of the emitter screen is normal.



AFTER OPERATION:

1. Turn gas control knob to **OFF** position.
2. Turn gas tank valve **OFF**.
3. Disconnect gas line.
4. Store heater upright in a secure location.



To enjoy years of outstanding performance from your heater, make sure you perform the following maintenance activities on a regular basis:

KEEP EXTERIOR SURFACES CLEAN.

1. Use soapy water for cleaning. Never use flammable or corrosive cleaning agents.
2. While cleaning your unit, be sure to keep the area around the burner and control compartment dry at all times. Do not submerge the control valve assembly. If the gas control is submerged in water, do NOT use it. It must be replaced.
3. Air flow must be unobstructed. Keep controls, burner, and circulating air passageways clean. Signs of possible blockage include:
 4. Gas odor with extreme yellow tipping of flame.
 5. Heater does NOT reach the desired temperature.
 6. Heater glow is excessively uneven.
 7. Heater makes popping noise.
 8. Spiders and insects can nest in burner or orifices. This dangerous condition can damage heater and render it unsafe for use. Clean burner holes by using a heavy-duty pipe cleaner. Compressed air may help clear away smaller particles.
 9. Carbon deposits may create a fire hazard. Clean dome and burner screen with warm soapy water if any carbon deposits develop.

Note: In a salt-air environment (such as near an ocean), corrosion occurs more quickly than normal. Frequently check for corroded areas and repair them promptly.



TIP FOR STAINLESS STEEL MODELS:

Use high-quality automobile wax to help maintain the appearance of your heater. Apply to exterior surfaces from the post down. DO NOT apply to emitter screen or domes.

WARNING

FOR YOUR SAFETY

- Do NOT touch or move heater for at least 45 minutes after use.
- Reflector is hot to the touch.
- Allow reflector to cool before touching.

STORAGE:

Between uses:

- Turn control knob OFF.
- Disconnect LP source.
- Store heater upright in an area sheltered from direct contact with inclement weather (such as rain, sleet, hail, snow, dust and debris).
- If desired, cover heater to protect exterior surfaces and to help prevent build-up in air passages. Never leave LPG tank exposed to direct sunlight or excessive heat.

Note: Wait until heater is cool before covering.

SERVICE:

Only a qualified service person should repair gas passages and associated components.

Caution: Always allow heater to cool before attempting service.



PROBLEM	POSSIBLE CAUSE	CORRECTIVE ACTION
Main burner will not light	Gas valve may be off	Turn gas valve ON
	Fuel tank may be empty	Refill LPG tank
	Orifice blocked	Clean or replace orifice
	Air in supply system	Purge air from lines. Open gas lines and depress control knob for 2-3 minutes.
	Loose connection	Check all fittings
	Igniter fails	Check igniter cable connection at back of igniter
	Gas pressure low with valve open full	Replace cylinder or regulator
	New cylinder or 1st ignition	Purge air from lines
	Cylinder valve on, no gas flow	Replace hose/regulator assembly
	Dead battery	Replace AA battery behind igniter button
Low burner flame	Pressure is low	Replace LPG tank
	Tank is low on fuel	Fill LPG tank
	Gas hose is kinked	Check and straighten or replace
Burner unit	Carbon on reflector and emitter screen	Clean components as needed
	Thick black smoke	Blockage in burner assembly—thoroughly clean burner



Specifications

• Dimensions (H x W x D): 51 x 61 x 225 cm

Model	Gas Categories	Pressure (mbar)	Country of Destination	Qn(Hs)		Maximum Consumption (g/h)
				Nominal Heat Input	Reduced Heat Input	
HL-02A	I3+	G30: 28-30 mbar G:31 37 mbar	BE, CH, CY CZ, ES, FR GB, GR, IT, IT LT, LU, LV, PT SK, SI	11.7 kW	5.05 kW	852 g/h
	I3B/P (50)	G30/G31: 50 mbar	AT, CH, DE, SK	11.7 kW	6.61kW	852 g/h
	I3B/P (30)	G30/G31: 30 mbar	BE, CY, DK EE, FI, FR, HU IT, LT, NL, NO SE, SI, SK, RO HR, TR, BG, IS LU, MT	11.7 kW	5.05 kW	852 g/h
	I3B/P (37)	G30/G31: 37 mbar	PL	11.7 kW	5.9 kW	852 g/h

Table of Injector

Gas Categories	Usable Gases	Gas Adjustment	Injector
I3+	G30/G31	28 - 30/37 mbar	1.65 mm
I3B/P (50)	G30/G31	50 mbar	1.41 mm
I3B/P (30)	G30/G31	30 mbar	1.65 mm
I3B/P (37)	G30/G31	37 mbar	1.56 mm



1 YEAR LIMITED WARRANTY

Customers in the Contiguous US

All components are warranted for a period of 1 year after date of purchase by the original owner against defects in materials and workmanship under normal use. This warranty does NOT cover normal wear and weathering, assembly and/or maintenance. At Well Traveled Living's sole discretion, products under warranty will be repaired and/or replaced at no charge to the customer. Any returns sent back to Well Traveled Living must be sent via prepaid freight and in the original retail packaging.

For warranty service contact Well Traveled Living at the address, phone numbers or internet site and email listed in this owner's manual. Be sure to have your sales receipt, date of purchase and catalogue/model numbers available when calling. All warranty service will be coordinated by the Well Traveled Living's, Amelia Island, Florida service center.

This warranty is extended only to the original purchaser. Proof of purchase will be required before warranty service is rendered. The sales receipt is the only valid proof of purchase. This warranty only covers failures due to defects in materials or workmanship which occur during normal use. Failures and/or damage which result from accident, negligence, misuse, abuse, neglect, mishandling, alteration or modification, failure to maintain, improper assembly or maintenance, service by unauthorized agency or use of unauthorized components or damage that is attributable to acts of God are NOT covered.

This limited warranty gives you specific legal rights and you may also have other rights which vary from jurisdiction to jurisdiction. The provisions of the United Nations Convention on Contracts for the Sales of Goods shall not apply to this limited warranty or the sale of products covered by this limited warranty.

AUSTRALIA: Our goods come with guarantees that cannot be excluded under the Australian Consumer Law. You are entitled to a replacement or refund for a major failure and for compensation for any other reasonably foreseeable loss or damage. You are also entitled to have the goods repaired or replaced if the goods fail to be of acceptable quality and the failure does not amount to a major failure.

- THERE ARE NO EXPRESS WARRANTIES EXCEPT AS LISTED ABOVE
- PURCHASER ASSUMES ALL RISKS IN THE ASSEMBLY AND OPERATION OF THIS UNIT
- FAILURE TO FOLLOW WARNINGS AND OPERATIONAL INSTRUCTIONS CONTAINED IN THIS MANUAL CAN RESULT IN SEVERE PROPERTY DAMAGE AND/OR PERSONAL INJURY
- IN NO EVENT WILL WELL TRAVELED LIVING, OR ITS DIRECTORS, OFFICERS OR AGENTS BE LIABLE TO THE PURCHASER OR ANY THIRD PARTY, WHETHER IN CONTRACT, IN TORT, OR ON ANY OTHER BASIS, FOR ANY INDIRECT, SPECIAL, PUNITIVE, EXEMPLARY, CONSEQUENTIAL, OR INCIDENTAL LOSS, COST, OR DAMAGE ARISING OUT OF OR IN CONNECTION WITH THE SALE, MAINTENANCE, USE, OR INABILITY TO USE THE PRODUCT, EVEN IF WELL TRAVELED LIVING OR ITS DIRECTORS, OFFICERS OR AGENTS HAVE BEEN ADVISED OF THE POSSIBILITY OF SUCH LOSSES, COSTS OR DAMAGES, OR IF SUCH LOSSES, COSTS, OR DAMAGES ARE FORESEEABLE. IN NO EVENT WILL WELL TRAVELED LIVING, OR ITS OFFICERS, DIRECTORS, OR AGENTS BE LIABLE FOR ANY DIRECT LOSSES, COSTS OR DAMAGES THAT EXCEED THE PURCHASE PRICE OF THE PRODUCT.
- SOME JURISDICTIONS DO NOT ALLOW THE EXCLUSION OR LIMITATION OF INCIDENTAL OR CONSEQUENTIAL DAMAGES, SO THE ABOVE LIMITATION OR EXCLUSION MAY NOT APPLY TO THE PURCHASER.



Important Notice For customer service and warranty issues contact our Customer Service Center:

Call Toll-Free **(866) 985-7877** 9 a.m. – 9 p.m., EST
 Email **cservice@welltraveled.net**
 Live Chat **www.balkenehome.com** 9 a.m. – 9 p.m., EST, Mon – Fri

Costco Wholesale UK Ltd /
 Costco Online UK Ltd
 Hartspring Lane
 Watford, Herts
 WD25 8JS
 United Kingdom
 01923 213113
 www.costco.co.uk

Costco Wholesale Spain S.L.U.
 Poligono Empresarial Los
 Gavilanes
 C/ Agustín de Betancourt, 17
 28906 Getafe (Madrid) España
 NIF: B86509460
 900 111 155
 www.costco.es

Costco France
 1 avenue de Bréhat
 91140 Villebon-sur-Yvette
 France
 01 80 45 01 10
 www.costco.fr

Costco Wholesale
 Sweden AB Saluvägen 5
 187 66 Täby
 Sweden

Costco (China) Investment Co., Ltd.
 Room 1003, Block 2, 2388 Xiupu Road,
 Pudong New Area, Shanghai
 China 201315
 +86-21-6257-7065

MADE IN CHINA
 FABRIQUÉ EN CHINE
 HECHO EN CHINA