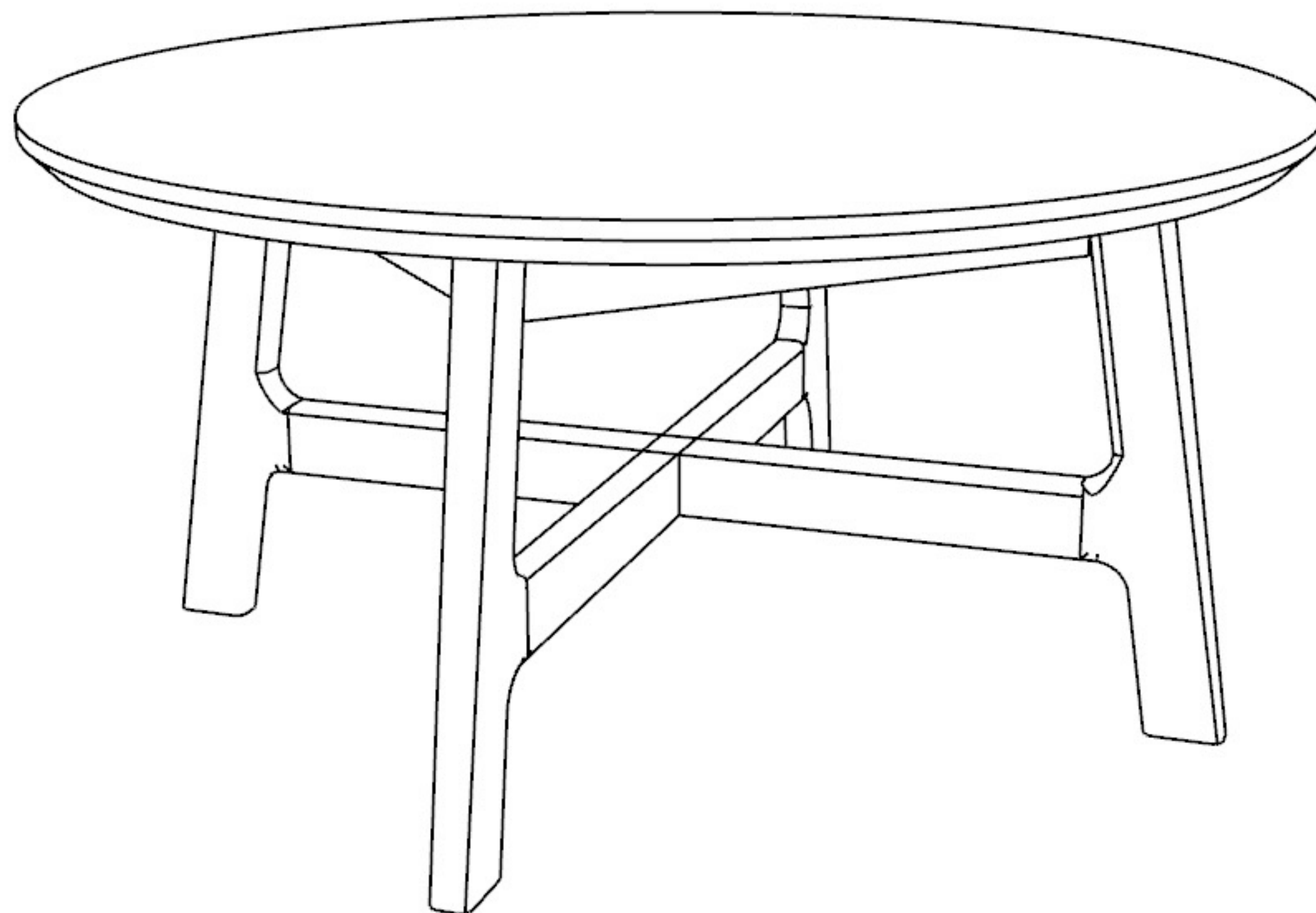




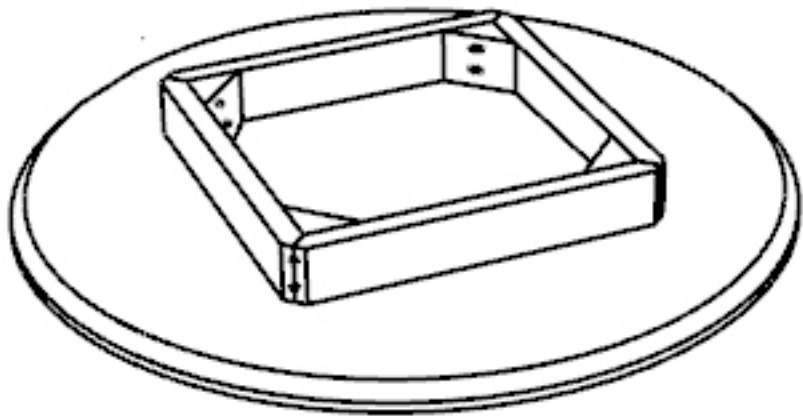
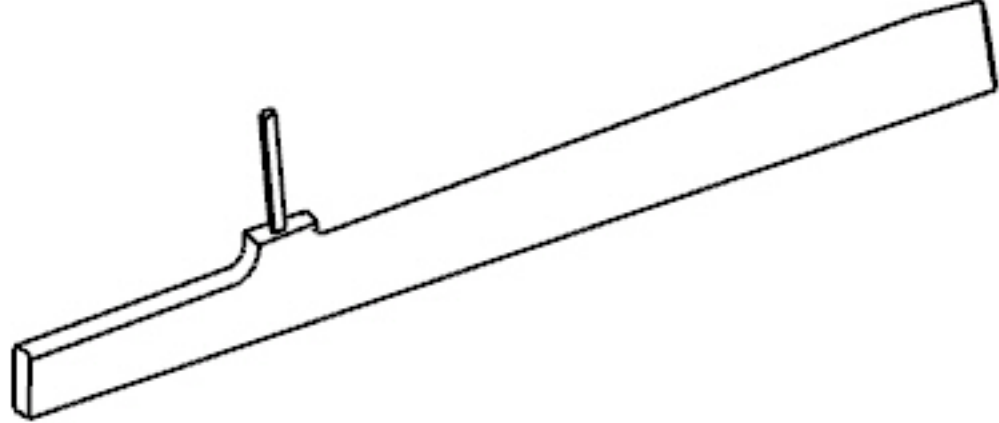
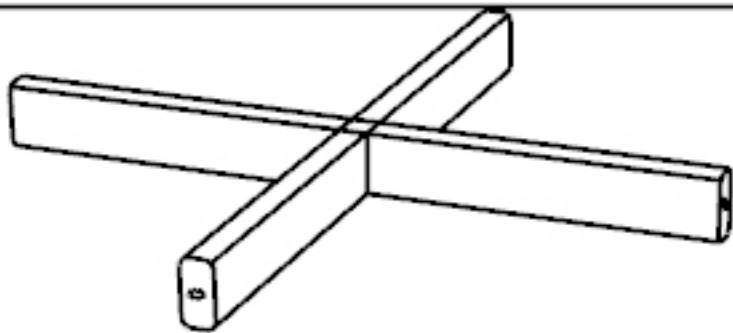
ASSEMBLY INSTRUCTIONS

BARCELONA ROUND COFFEE TABLE


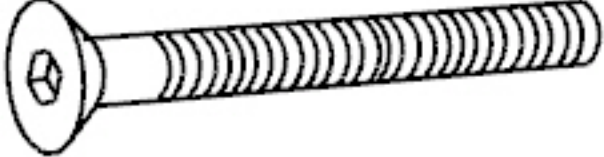

5056272006511




Component List

Label	Picture	Description	Qty
A		Table top	1
B		Leg	4
C		Stretcher	1

Hardware List


Label	Picture	Description	Qty
H1		Small Allen Bolt 25x6 mm	4
H2		Large Allen Bolt 80x6 mm	8
H3		Washer 8 mm	8


Tool List


Label	Picture	Description	Qty
T1		Allen Key 4 mm	1

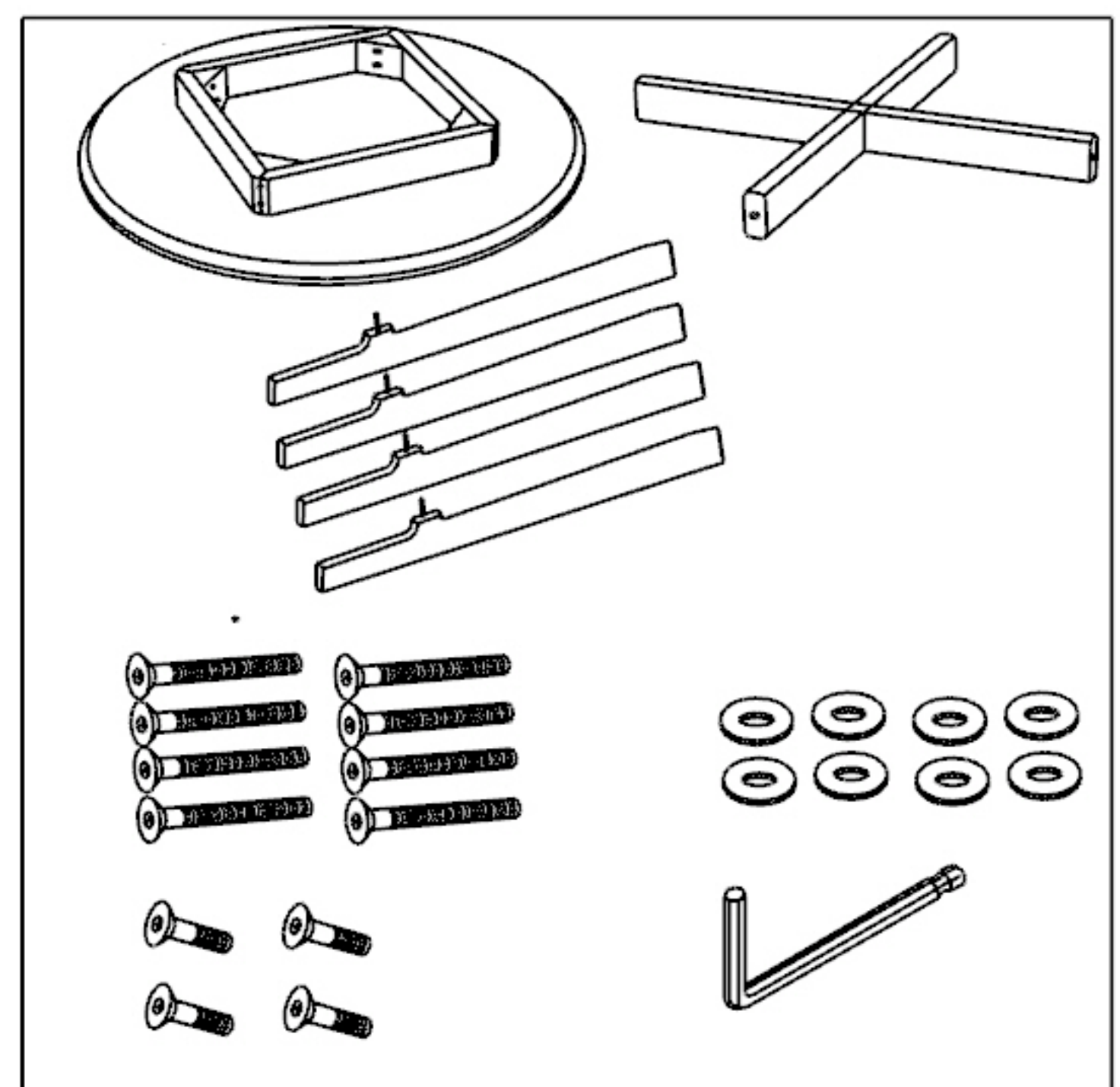
Assembly Prep

Before Beginning:

* Save all packing until finished. 

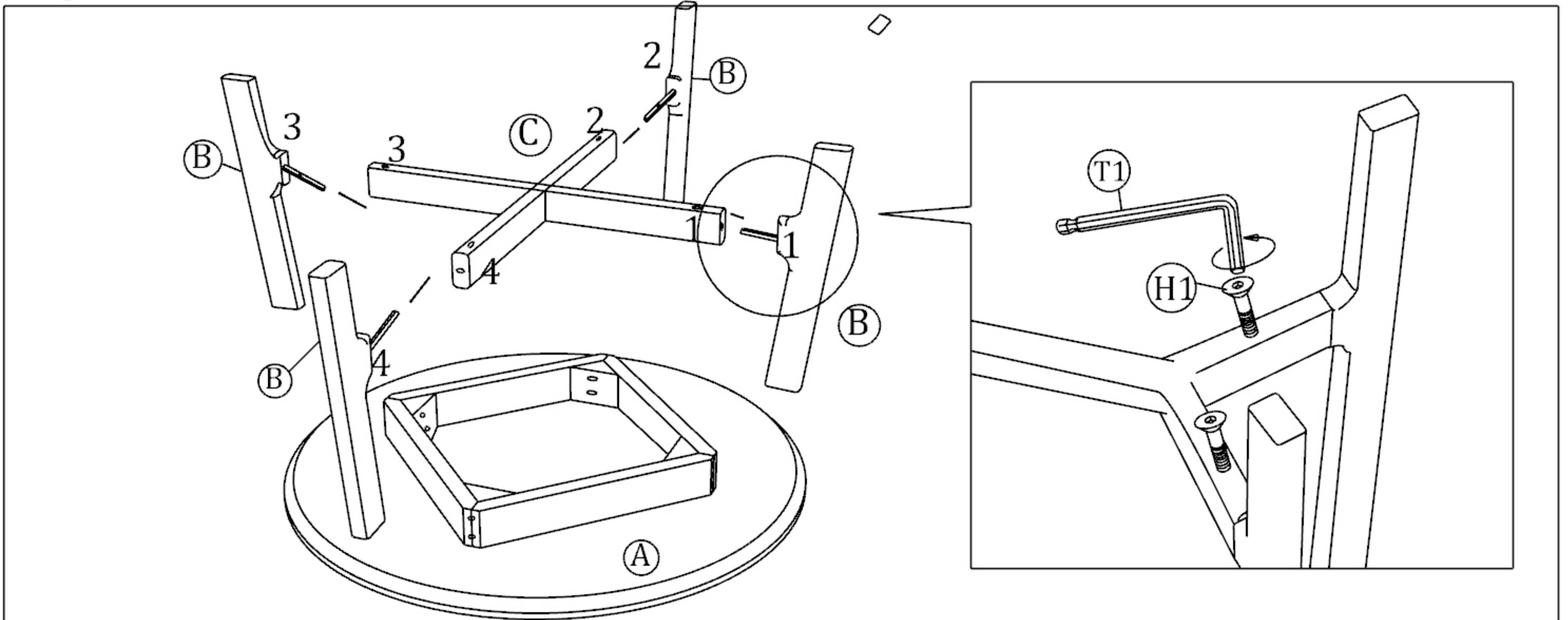
* Read Instructions, cover to cover. 

* Have 2 adults on hand for assembly. 



Assembly Steps

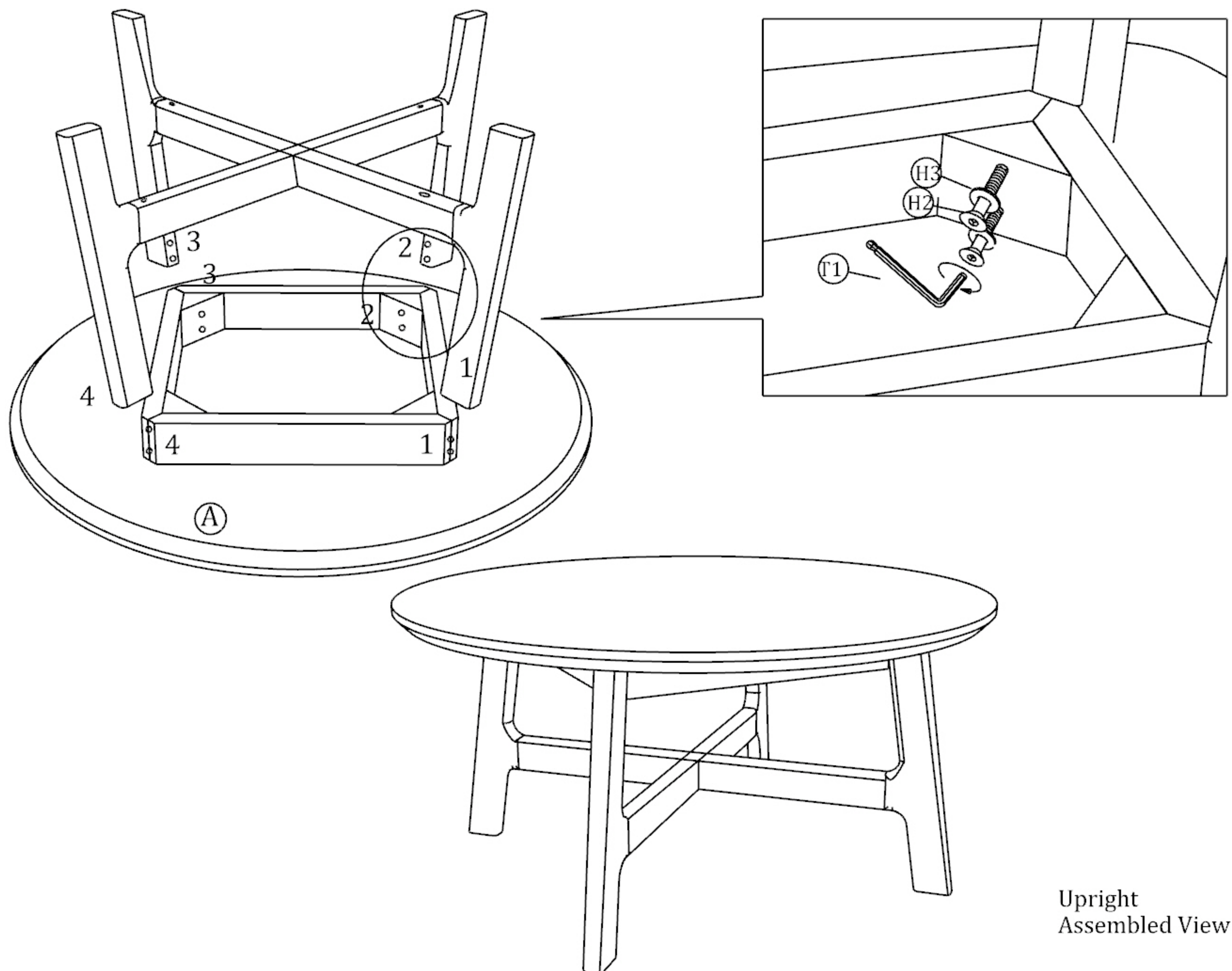
Step 1



Careful : Extremely heavy product.

Place Table Top (A) upside down on a non-damaging padded surface. Align Stretcher (C) on the Legs (B) as shown above and secure the connections with Small Allen Bolt (H1) and tighten it with Allen Key (T1).

Step 2



Upright
Assembled View

Align pre-assembled leg frame (B+C) onto Table Top (A) matching the markings - 1 to 1, 2 to 2...etc. Secure the connections with Large Allen Bolt (H2) and tighten it with Allen Key (T1). Repeat the step to secure all tightly. Turn the piece upright. Product is ready to use.