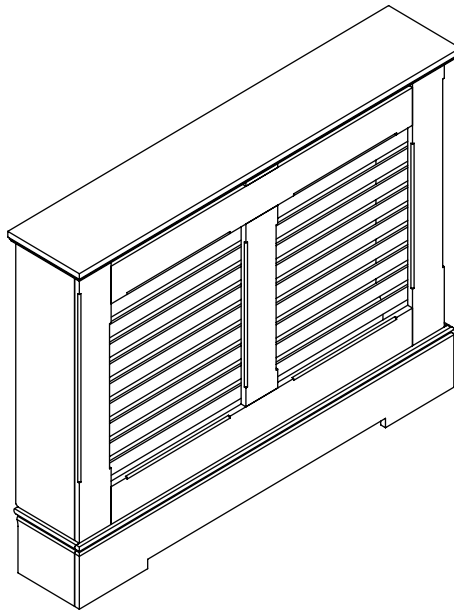



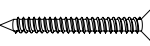

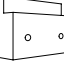




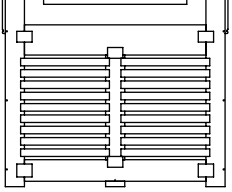


Assembly Instructions



WILTSHIRE SMALL/MEDIUM/LARGE RAD CAB

HARDWARE LIST			
CODE	NAME	FIGURE	Q'TY
A	CAM LOCKS (Φ15x9mm)		6
B	CAM BOLTS (Φ6x28mm)		6
C	WOOD SCREWS (5x12mm)		4
D	WOOD SCREWS (4x40mm)		4
E	WALL PLUGS		4
F	WOOD BRACKETS (55X45mm)		2
G	METAL BRACKET		1

PARTS LIST			
CODE	NAME	FIGURE	Q'TY
①	TOP MANTEL		1
②	LEFT SIDE PANEL		1
③	RIGHT SIDE PANEL		1
④	FRONT PANEL		1

Pls check that you have all contents shown before starting assembly. Assemble on a soft surface to avoid damaging the product on your floor.

Important: Please read these instructions fully before starting assembly.

Important

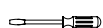
To ensure safe and stable installation:

1. The assembled Rad Cab can be fixed/secured to wall.
2. The wall must be sturdy and in good repair.
3. Some walls require alternative fixings not included
4. When drilling into the wall, check for hidden pipes and cables.

Tools required



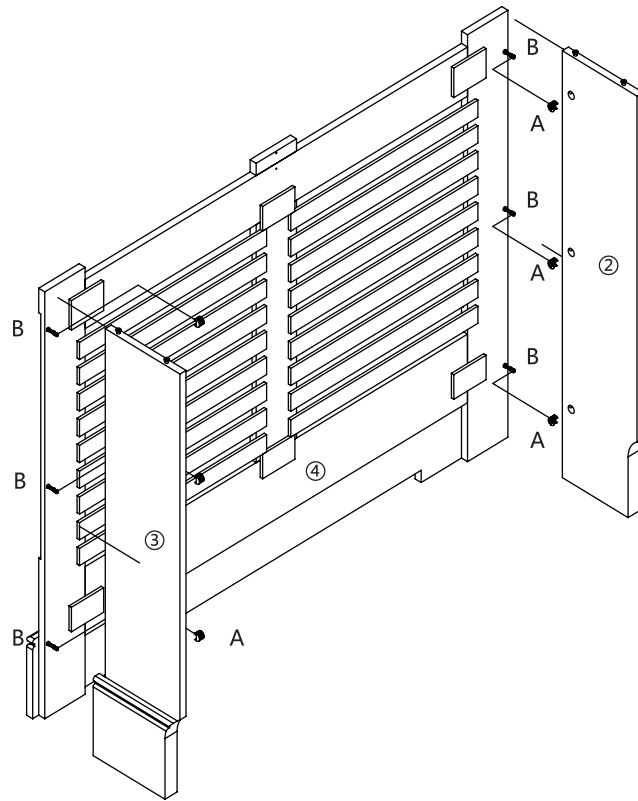
Screw driver (medium & large)



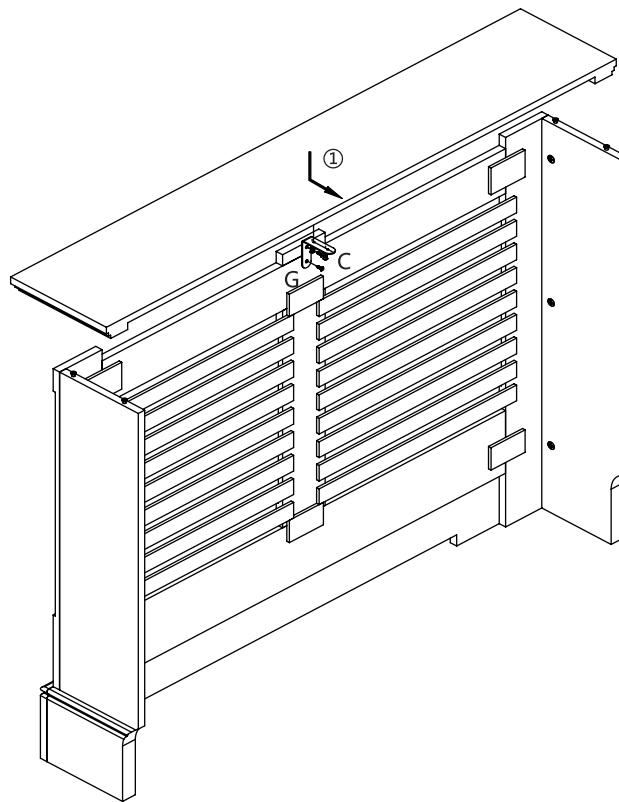
Flatblade screwdriver (medium)



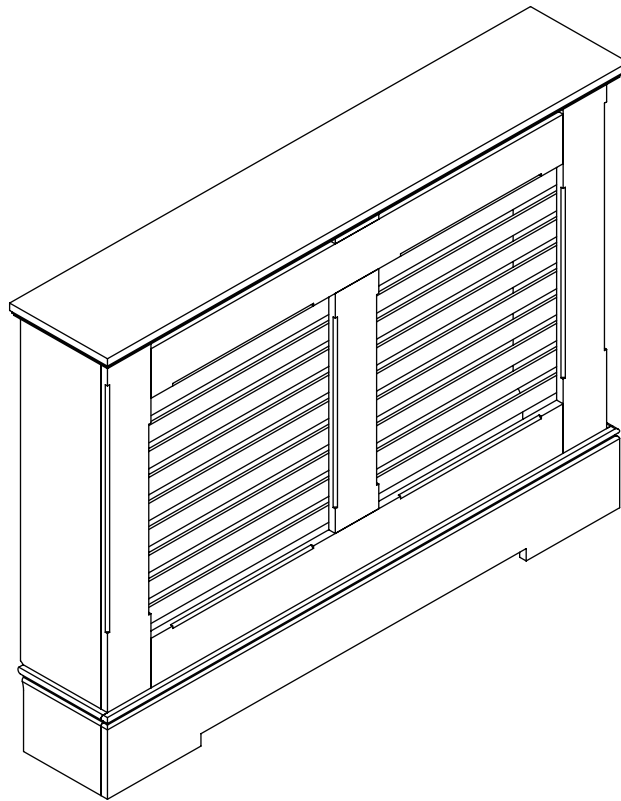
Small hammer



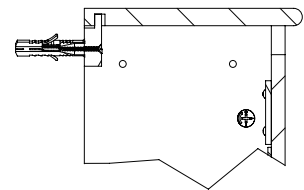
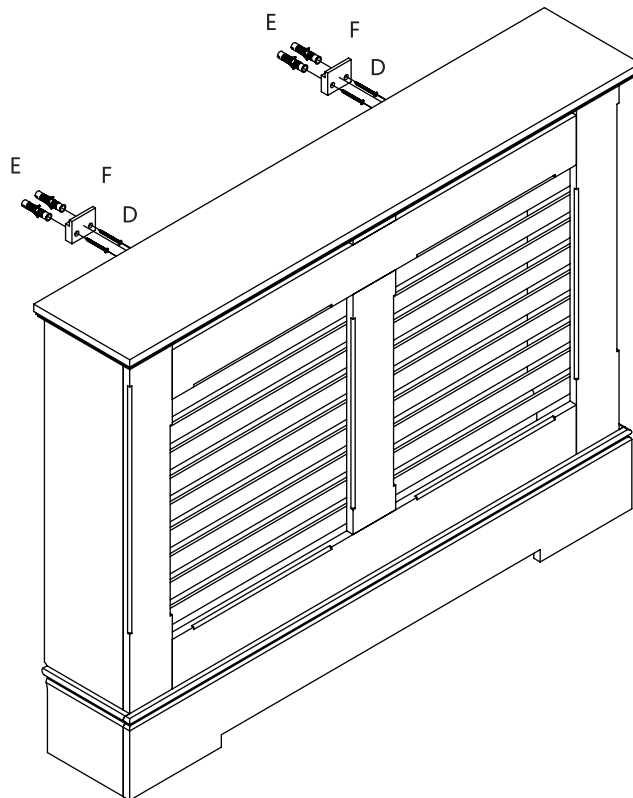
Step1. Fix Right Side Panel ③ to Front Panel ④ as per diagram. Using 3 x Cam Locks (A) and 3x Cam Bolts(B). Repeat Step 1 on the Left hand side ② .



Step2. Fix Top panel ① by key hole fixing . Fix the metal bracket G by 4 x wood screws C to connect the top mantel and the front frame .



Step3. Your radiator cabinet should not be left free standing, for stability you should fix it to the wall using the fixing kit provided. The kit holds the cabinet securely against the wall, but also allows it to be easily removed for access to radiator valves in the future.



Step4. Fix brackets on the wall ensuring they are level with the cabinet bracket which will allow for a secure and level fit