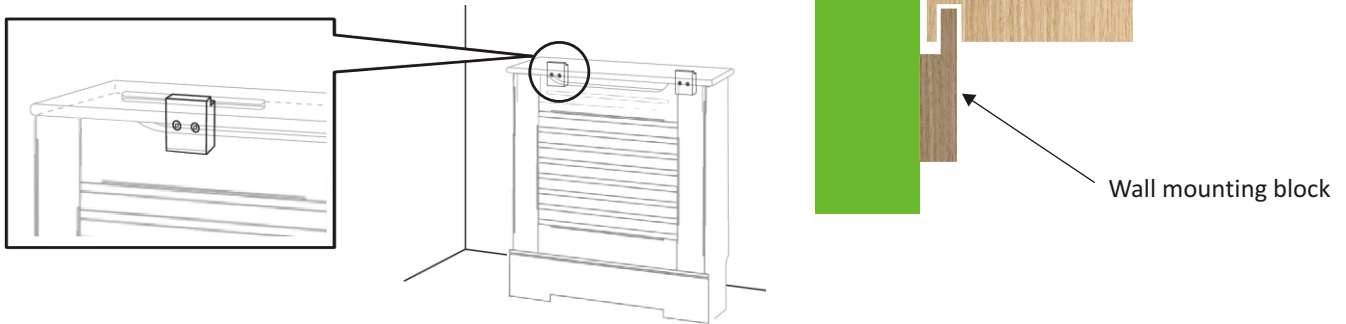


# Wall mounting blocks

Our wall mounting blocks are supplied with all models across all ranges. These are an additional feature that can be used in order to secure the radiator cabinet to the wall but still make it easy to access the radiator or valve, quickly and easily.



The wall mounting blocks are mounted onto the wall and then the radiator cabinet can be lifted onto the wall mounting blocks. The top of the wall mounting block fits into a groove on the underside of the cabinet top holding it in place.

This prevents the radiator cabinet from tipping forwards but also allowing for it to be lifted away easily when required.

On the larger cabinets (as shown opposite) three blocks are required to hold it in place but only two blocks are required on the smaller radiator cabinets.

