

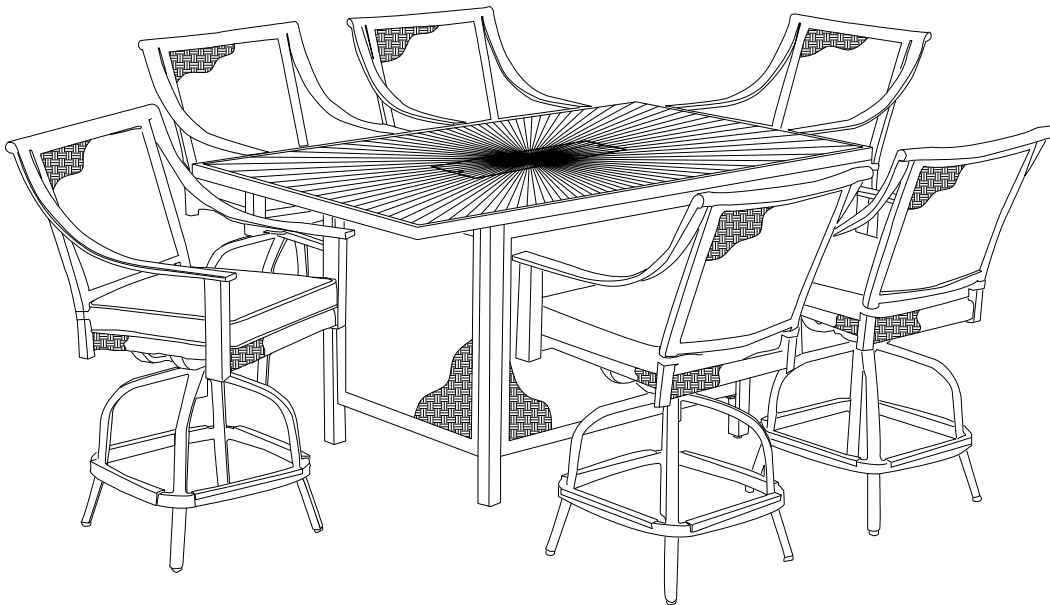


**VERANDA**  
CLASSICS®

# 7PC COUNTER HEIGHT FIRE DINING SET

ITM. / ART. 2127099  
m# FG-VGO7FHDS

**IMPORTANT, RETAIN FOR FUTURE REFERENCE:  
READ CAREFULLY**



## **Customer Service**

E-Mail : [customerservice@foremostgroups.com](mailto:customerservice@foremostgroups.com)

8:30a.m.– 5:00p.m. EST, M-F

Toll Free 1-855-390-5474 (English/Spanish)

(Int.) 001-855-286-4931 (English/Spanish)

Fax: (973) 428-8026

Website: [www.foremostgroups.com](http://www.foremostgroups.com)

906 Murray Road East Hanover, New Jersey 07936 US

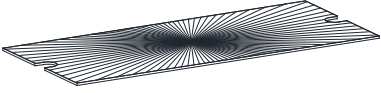
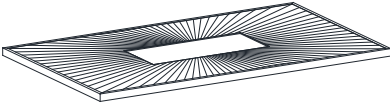
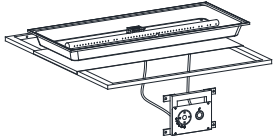
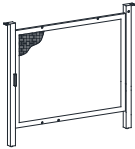
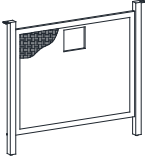
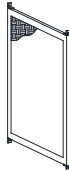
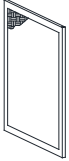
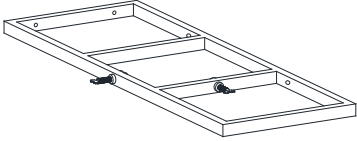
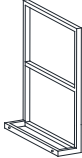
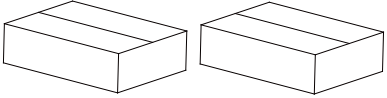
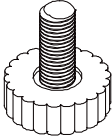

## WARNING!

THIS ITEM IS INTENDED FOR OUTDOOR DOMESTIC USE ONLY, NOT FOR COMMERCIAL USE.

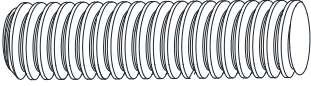
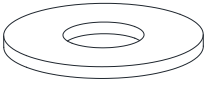
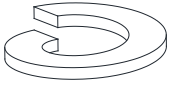
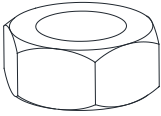
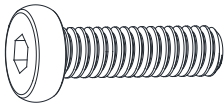
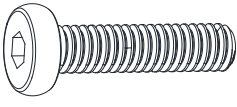

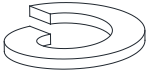
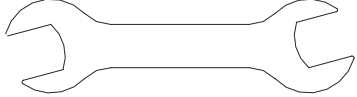

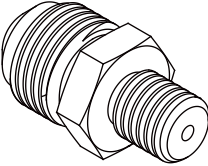
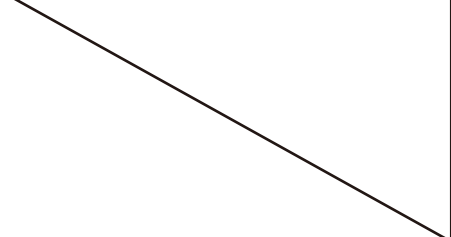
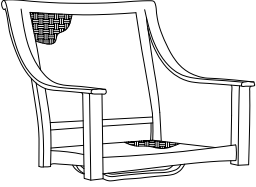
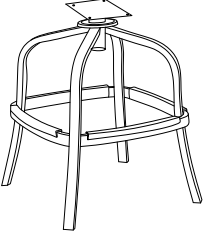
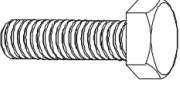


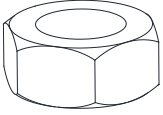
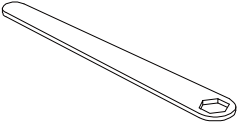
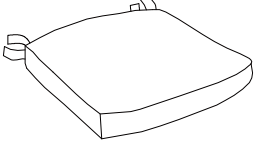
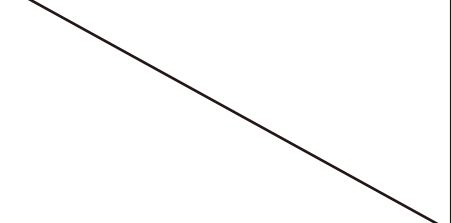
**Please read instructions carefully and thoroughly before assembling. Check parts against the parts list to make sure you have all the parts needed for proper assembly. Familiarize yourself with the inventory of parts and the accompanying illustrations to ensure safe and proper assembly.**

**Failure to tighten bolts may cause injury. Do not force components and over tighten the nuts during assembly. Place chair on a non-abrasive flat surface to prevent scratching. Hang wet cushion over chair frame to dry to prevent mold / mildew. To ensure longevity of your patio set, each seat cushion is made with high density foam. With initial use the seat cushions may feel firm, but with continued use the cushions will continue to soften and provide the ultimate comfort for seasons to come.**

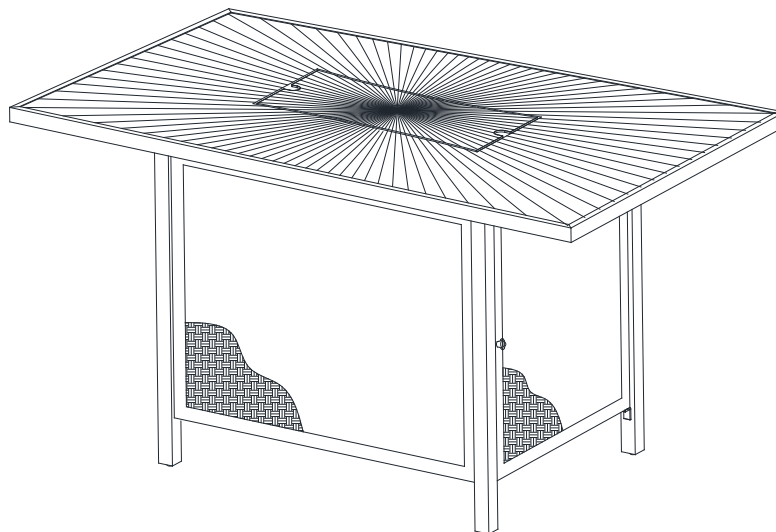
### PARTS LIST

<p>A Burner cover</p>  <p style="text-align: right;">1 PC</p>	<p>B Table Top</p>  <p style="text-align: right;">1 PC</p>	<p>C Burner Pan</p>  <p style="text-align: right;">1 PC</p>
<p>D Left Side Panel</p>  <p style="text-align: right;">1 PC</p>	<p>E Right Side Panel</p>  <p style="text-align: right;">1 PC</p>	<p>F Back Panel</p>  <p style="text-align: right;">1 PC</p>
<p>G Door</p>  <p style="text-align: right;">1 PC</p>	<p>H Gas Tank Support</p>  <p style="text-align: right;">1 PC</p>	<p>I Gas Tank Baffle</p>  <p style="text-align: right;">1 PC</p>
<p>J Fire Glass</p>  <p style="text-align: right;">2 BOXES (TOTAL 26.4 lbs)</p>	<p>K Foot glider</p>  <p style="text-align: right;">4 PCS</p>	<p>L Door handle</p>  <p style="text-align: right;">1 PC</p>

## PARTS LIST

<p>AA Bolt (5/16" x 30mm)</p>  <p>4 PCS</p>	<p>BB Flat Washer (φ8.5)</p>  <p>4 PCS</p>	<p>CC Lock Washer (φ8.5)</p>  <p>4 PCS</p>
<p>DD Nut (5/16")</p>  <p>4 PCS</p>	<p>EE Bolt (1/4" x 25mm)</p>  <p>10 PCS</p>	<p>FF Bolt (1/4" x 30mm)</p>  <p>10 PCS</p>
<p>GG Flat Washer (φ6.5)</p>  <p>20 PCS</p>	<p>HH Lock Washer (φ6.5)</p>  <p>20 PCS</p>	<p>II Wrench</p>  <p>1 PC</p>
<p>JJ Allen Wrench</p>  <p>1 PC</p>	<p>KK Natural gas orifice</p>  <p>1 PC</p>	
<p>M Chair Bucket</p>  <p>6 PCS</p>	<p>N Base</p>  <p>6 PCS</p>	<p>O Bolt (5/16" x 35mm)</p>  <p>24 PCS</p>
<p>P Flat Washer (φ8.5)</p>  <p>48 PCS</p>	<p>Q Lock Washer (φ8.5)</p>  <p>24 PCS</p>	<p>R Nut (5/16")</p>  <p>24 PCS</p>
<p>S Wrench</p>  <p>2 PCS</p>	<p>T Seat Cushion</p>  <p>6 PCS</p>	

MODEL#: TMHFT19



ANS Z21.97 • CSA 2.41-2017  
Outdoor Decorative Gas Appliances

**INSTALLER:** Leave this manual with the appliance.  
**CONSUMER:** Retain this manual for future reference

**⚠ WARNING:** For Outdoor Use Only.  
Installation and service must be performed by a qualified installer, service agency, or the gas supplier.

**⚠ DANGER**  
**FIRE OR EXPLOSION HAZARD**  
If you smell gas:  
• Shut off gas to the appliance.  
• Extinguish any open flame.  
• If odor continues, leave the area immediately.  
• After leaving the area, call your gas supplier or fire department.  
Failure to follow these instructions could result in fire or explosion, which could cause property damage, personal injury, or death.

**⚠ WARNING**  
Do not store or use gasoline, or other flammable vapors and liquids, in the vicinity of this or any other appliance.  
An LP-cylinder not connected for use shall not be stored in the vicinity of this or any other appliance.

**⚠ DANGER**



**CARBON MONOXIDE HAZARD**  
This appliance can produce carbon monoxide which has no odor. Using it in an enclosed space can kill you.  
Never use this appliance in an enclosed space such as a camper, tent, car or home.


**⚠ WARNING:**  
If the information in this manual is not followed exactly, a fire or explosion may result causing property damage, personal injury, or loss of life.

## IMPORTANT SAFETY INFORMATION

1. The installation must conform with local codes or, in the absence of local codes, with the National Fuel Gas Code, ANSI Z223.1 • NFPA 54; National Fuel Gas Code; Natural Gas and Propane Installation Code, CSA B149.1; or Propane Storage and Handling Code, CSA B149.2, as applicable.
2. The appliance must be isolated from the gas supply piping system by closing its individual manual shutoff valve during any pressure testing of the gas supply piping system at test pressures equal to or less than 1/2 psi (3.5 kPa).
3. The maximum inlet gas supply pressure is 250 psi.
4. The appliance area must be kept clear and free from combustible materials, gasoline, and other flammable vapors and liquids.
5. Do not use this appliance if any part has been under water. Immediately call a qualified service technician to inspect the appliance and to replace any part of the control system and any gas control that has been under water.
6. **Children and adults should be alerted to the hazards of high surface temperatures and should stay away to avoid burns or clothing ignition.**
7. **Young children should be carefully supervised when they are in the area of the appliance.**
8. **Clothing or other flammable materials should not be hung from the appliance or placed on or near the appliance.**
9. **Any guard or other protective device removed for servicing the appliance shall be replaced prior to operating the appliance.**
10. **Installation and repair should be done by a qualified service person. The appliance should be inspected before use and at least annually by a qualified service person. More frequent cleaning may be required as necessary. It is imperative that the control compartment, burners, and circulating air passageways of the appliance are kept clean.**
11. **CAUTION:** The propane gas pressure regulator provided with this appliance must be used. This regulator is set for an outlet pressure of 11 inches water column.
12. DO NOT burn solid fuels in this appliance.
13. This outdoor gas appliance is for Outdoor Use ONLY.
14. This outdoor gas appliance is not intended to be installed in or on recreational vehicles and/or boats.
15. This outdoor appliance is not for use on wood decks or other flammable surface.
16. Before each use of this gas appliance, open the door and/or the LP (Liquid Propane) Tank Drawer and inspect the hose. If there is evidence of excessive abrasion or wear or if the hose is damaged, the hose assembly must be replaced prior to the appliance being put into operation. Use only the replacement hose assembly specified in this manual. Make sure to leak test.
17. Before each use of this gas appliance, inspect the burner. The burner must be replaced prior to the appliance being put into operation if it is evident that the burner is damaged. Use only the replacement burner specified in this manual.
18. Make sure to properly locate the gas hose including locating the hose out of pathways where people may trip over it or in areas where the hose may be subject to accidental damage.
19. Keep the fuel supply hose away from any heated surface.
20. Never use this appliance closer than 10 feet from anything flammable, including houses or overhead tree branches.
21. Never use gasoline, kerosene, or any other liquid fuel to start a fire.
22. Always maintain a safe distance from the fire.
23. Always supervise children around the fire.
24. Never leave a fire unattended.
25. The appliance is hot during and after use, always allow ample cooling time before touching or moving.

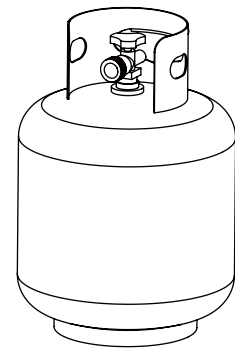
# IMPORTANT SAFETY INFORMATION ABOUT PROPANE (LP) GAS

1. The LP-gas supply cylinder to be used must be constructed and marked in accordance with the U.S. Department of Transportation (D.O.T.) Specifications for LP-Gas Cylinders, or the Standard for Cylinders, Spheres and Tubes for Transportation of Dangerous Goods and Commission, CAN/CSA-B339, as applicable.
2. The LP-gas supply cylinder to be used must have a listed overfilling prevention device (See Figure 1).
3. The LP-gas supply cylinder to be used must have a cylinder connection device compatible with the connection for the appliance.
4. A self-contained LP-gas cylinder for use with this appliance must have a capacity of 20 lbs cylinder (Height approximately 18 in., Tank Body approximately 12 in. diameter, Base approximately 8 in. diameter).
5. The cylinder supply system must be arranged for vapor withdrawal.
6. The cylinder used must include a collar to protect the cylinder valve.
7. This appliance shall be used only outdoors in a well-ventilated space and shall not be used in a building, garage or any other enclosed space.
8. When this appliance is not in use, the gas must be turned off at the supply cylinder.
9. Storage of this appliance indoors is permissible only if the cylinder is disconnected and removed from the appliance.
10. Cylinders must be stored outdoors in a well-ventilated area out of the reach of children. Disconnected cylinders must have threaded valve plugs tightly installed and must not be stored in a building, garage or anyother enclosed areas.
11. This appliance is certified by CSA (Canadian Standards Association) to ANS Z21.97 CSA 2.41-2017, Outdoor Decorative Gas Appliances.



**WARNING**

**Fuels used in liquefied propane gas appliances, and the products of combustion of such fuels, can expose you to chemicals including benzene, which is known to the State of California to cause cancer and cause birth defects or other reproductive harm. For more information go to: [www.P65Warnings.ca.gov](http://www.P65Warnings.ca.gov).**



Standard 20 lb.tank  
Figure 1

## SPECIFICATIONS

Rated Heat Input (Liquid Propane & Natural Gas)	50,000 BTU/hr
Propane Regulator Pressure	11 inches water column
Natural Gas Inlet Pressure	7 inches water column
Clearance to combustible surfaces	Sides: 24in. (610mm), Top: 72in. (1829mm)

# ASSEMBLY INSTRUCTIONS

**NOTE: Tool Required for Assembly: phillips screw driver ( NOT included)**

1. Remove all protective material carefully. Avoid cutting the surface of the furniture while removing the packaging material on all components.
2. Loosely attach Back Panel (F) to the Left Side Panel (D) and the Right Side Panel (E) by bolts (EE) through lock washers (HH), flat washers (GG), using Allen wrench (JJ). See figure 2.

DO NOT TIGHTEN BOLTS AT THIS POINTS.

## Hardware Used:

- EE Bolt (1/4" x 25mm) x 4
- GG Flat Washer (φ6.5) x 4
- HH Lock Washer (φ6.5) x 4
- JJ Allen Wrench x 1

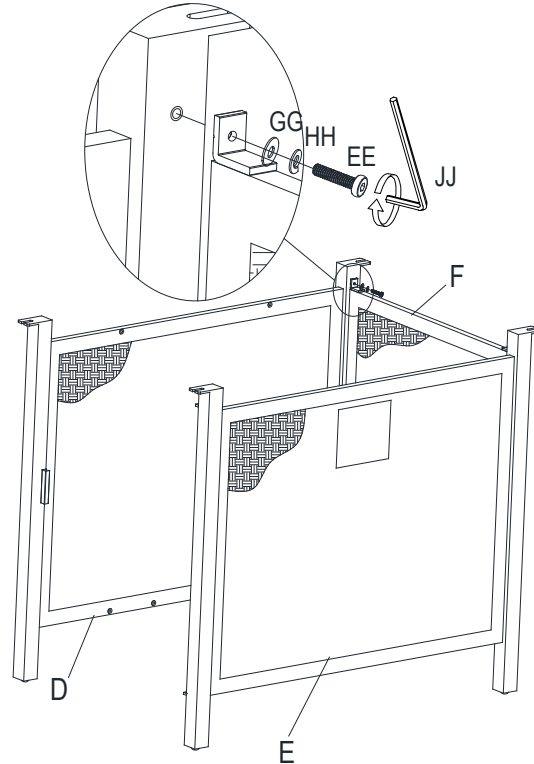


Figure 2

3. Loosely attach Burner Pan (C) to the Left Side Panel (D) and Right Side Panel (E) by bolts (FF) through lock washers (HH), flat washers (GG), using Allen wrench (JJ).
4. Loosely attach control panel from Burner Pan (C) to the Right Side Panel (E) by bolts (EE) through lock washers (HH), flat washers (GG), using Allen wrench (JJ). See figure 3.

DO NOT TIGHTEN BOLTS AT THIS POINTS.

## Hardware Used:

- EE Bolt (1/4" x 25mm) x 4
- FF Bolt (1/4" x 30mm) x 4
- GG Flat Washer (φ6.5) x 8
- HH Lock Washer (φ6.5) x 8
- JJ Allen Wrench x 1

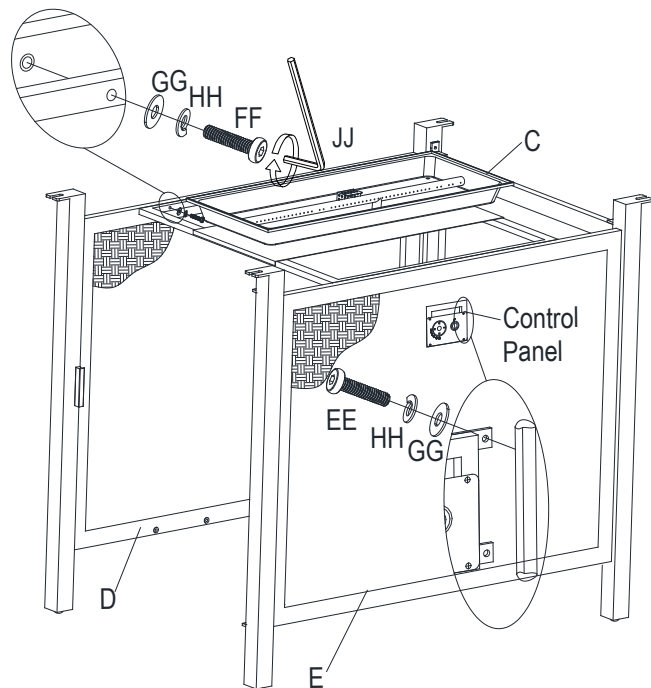


Figure 3

5. Loosely attach Gas Tank Support (H) to the Left Side Panel (D) and Right Side Panel (E) by bolts (FF) through lock washers (HH), flat washers (GG), using Allen wrench (JJ). See figure 4.

DO NOT TIGHTEN BOLTS AT THIS POINTS.

**Hardware Used:**

- FF Bolt (1/4" x 30mm) x 4
- GG Flat Washer (φ6.5) x 4
- HH Lock Washer (φ6.5) x 4
- JJ Allen Wrench x 1

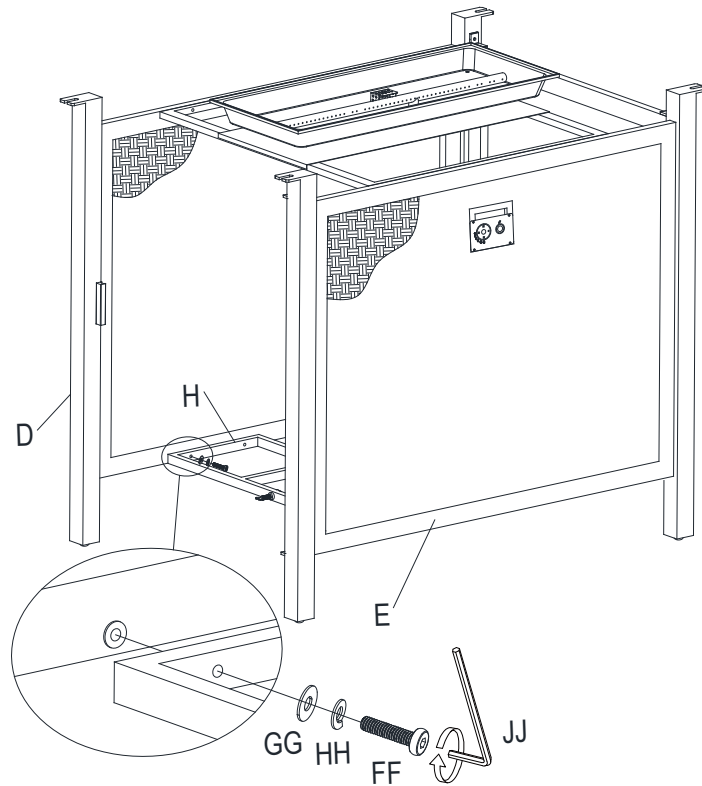


Figure 4

6. Loosely attach Gas Tank Support (H) to the Gas Tank Baffle (I) by bolts (FF) through lock washers (HH), flat washers (GG), using Allen wrench (JJ). See figure 5.

DO NOT TIGHTEN BOLTS AT THIS POINTS.

**Hardware Used:**

- FF Bolt (1/4" x 30mm) x 2
- GG Flat Washer (φ6.5) x 2
- HH Lock Washer (φ6.5) x 2
- JJ Allen Wrench x 1

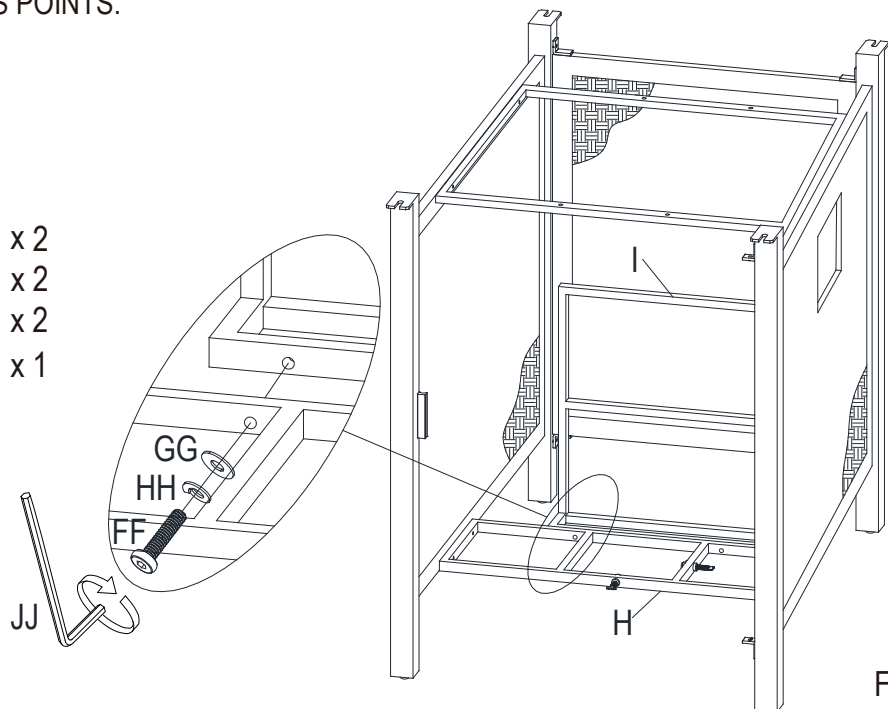


Figure 5



7. Loosely attach Door (G) to the Right Side Panel (E) by bolts (EE) through lock washers (HH), flat washers (GG), using Allen wrench (JJ). See figure 6.
8. Once all the bolts are in place. Securely tighten all the bolts (EE&FF) with Allen wrench (JJ). Base fully assembled.

**Hardware Used:**

- EE Bolt (1/4" x 25mm) x 2
- GG Flat Washer (φ6.5) x 2
- HH Lock Washer (φ6.5) x 2
- JJ Allen Wrench x 1

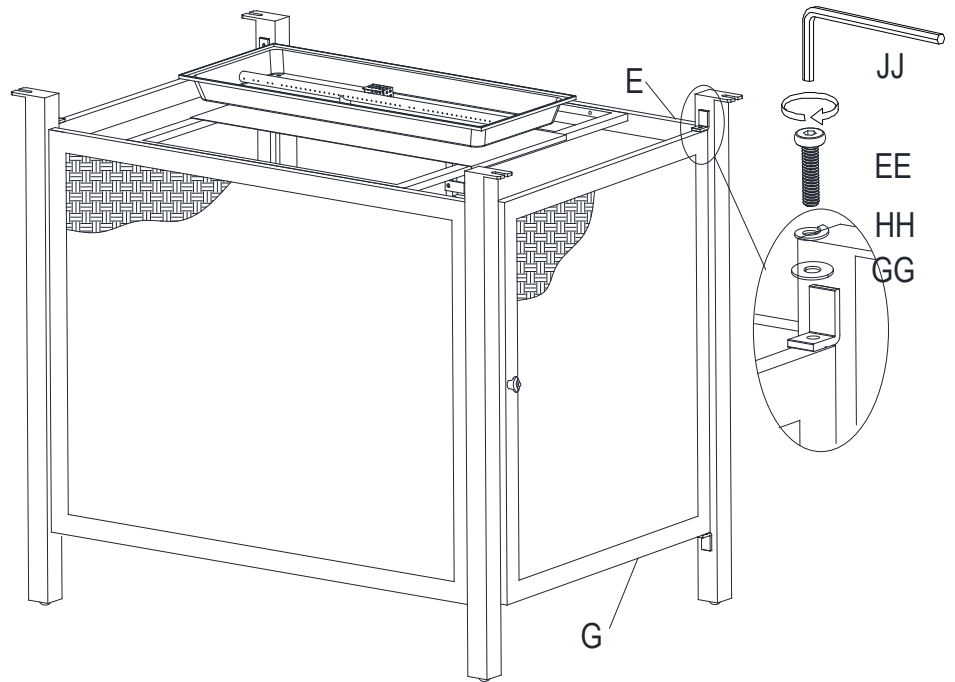


Figure 6

9. Fix the Table Top (B) onto the Base Assembly with Bolt (AA), Flat Washer (BB), Lock Washer (CC) and Nut (DD), screw the Nut (DD) tightly by using the Wrench (II). See figure 7.

**Hardware Used:**

- AA Bolt (5/16" x 30mm) x 4
- BB Flat Washer (φ8.5) x 4
- CC Lock Washer (φ8.5) x 4
- DD Nut (5/16") x 4
- II Wrench x 1

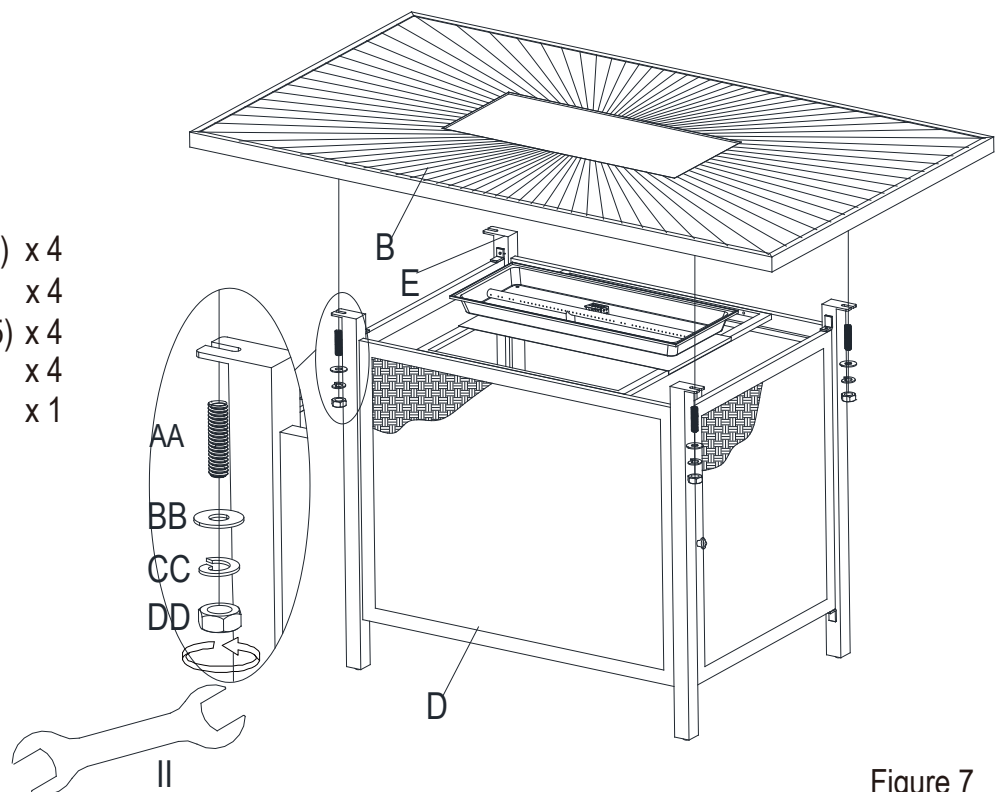


Figure 7

10. Place glass beads or lava rock (J) around the burner, leave the pilot box uncovered (see Figure 8).  
A gas fire pit requires 26.4 lbs glass beads.

**NOTE: DO NOT completely cover the burner element or block the pilot box with the glass beads. When the first use, preheat the glass beads for 15 minutes to burn out the impurities and air in the natural or glass beads.**

**WARNING:** keep children away during assembly, as this item contains glass beads, which are small pieces and can be swallowed by children.

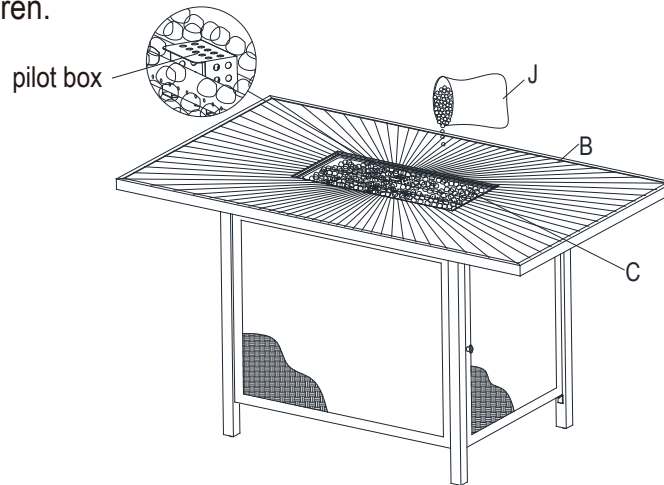


Figure 8

11. Open the door, place the gas cylinder into gas cylinder support (F), connect the regulator, screw the black handle clockwise to tighten, turn the black handle counterclockwise to remove. Secure the gas cylinder by tightening clockwise the retention point found on gas cylinder support (F), so that the gas cylinder cannot move from side to side or fall down. The knob on the control panel is turned all the way to the "OFF" position when the fire pit is NOT in use (see Figure 9).

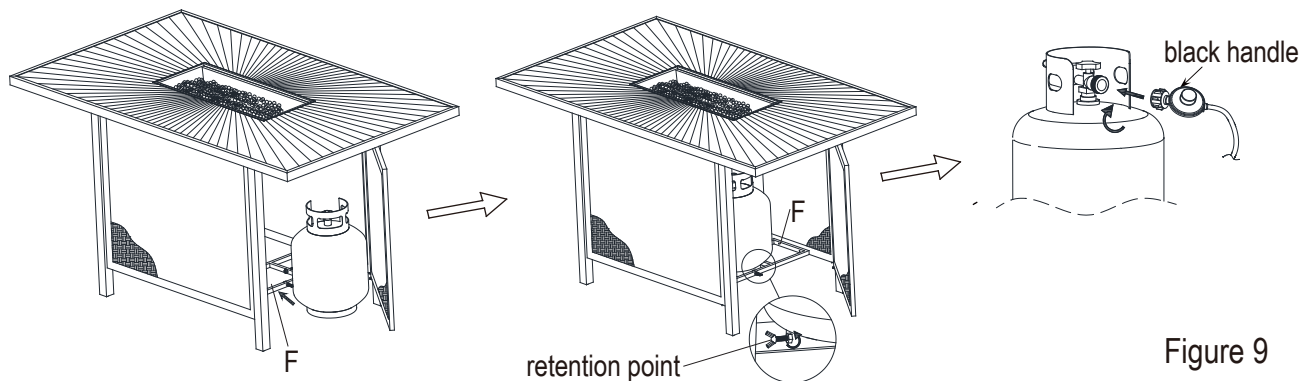


Figure 9

12. Place the burner cover (A) onto the fire bowl when not in use to protect it from the elements or when fire pit is cooled COMPLETELY after use (see Figure 10).

**NOTE:** Allow 30 minutes after use for fire pit to cool down before placing the lid to prevent scalding.

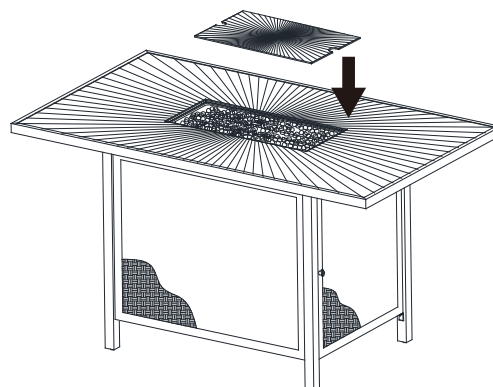


Figure 10



# NATURAL GAS CONVERSION



**Natural gas conversion must be performed only by natural gas provider or service company.**

1. Disconnect the propane hose from the gas valve (see Figure 11).

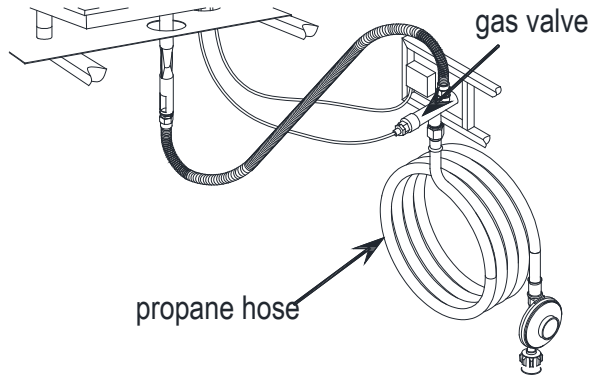


Figure 11

2. Unscrew and disconnect the propane orifice from the bellows (see Figure 12). Propane orifice (2.21 mm diameter size) is painted with red mark.

**CAUTION:** The gas supply shall be shut off prior to disconnecting the electrical power, before proceeding with the conversion.

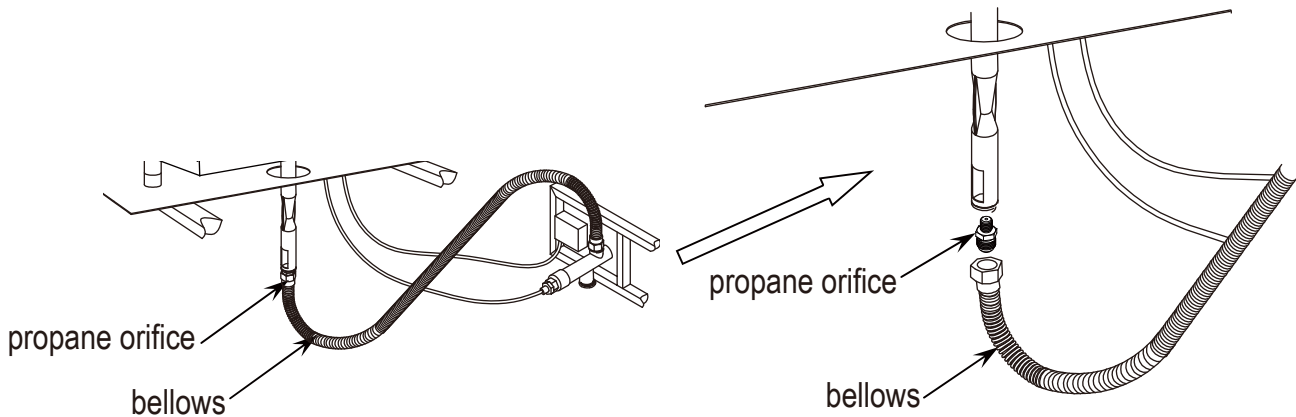


Figure 12

3. Replace the propane orifice with the natural gas orifice, screw the natural gas orifice with the bellows tightly, then connect and tighten the natural gas orifice with inlet tube (see Figure 13). Natural gas orifice (4.18 mm diameter size) is painted with black mark.

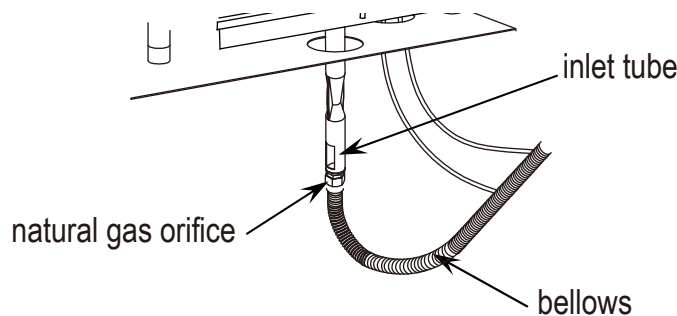


Figure 13

4. Connect the natural gas hose with the gas valve by screwing clockwise tightly (see Figure 14). Plug the natural gas fixture into the natural gas supply piping system (see Figure 15).

Conversion kit should be CSA certified and purchased from the market, the conversion kit hose connector and quick disconnect listed as below.

- (1). Part# DH22 / QH1, manufacturer: KSUN  
 or (2). Part# WH02 / KJ50A2, manufacturer: Laite  
 or (3). Part# KJ-3/8G-3/8 / KJ-3/8G, manufacturer: Wanan

The natural gas orifice is included in the package. Please follow the instructions for gas conversion.

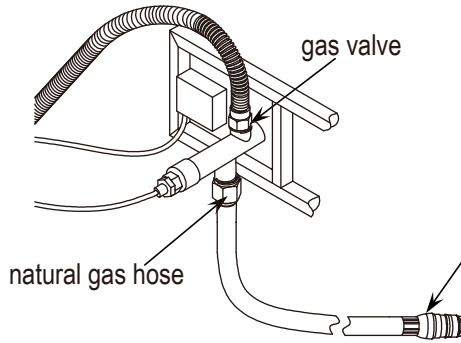


Figure 14

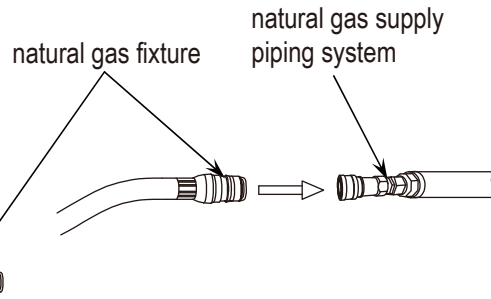




Figure 15

5. Stick and cover the conversion label onto the propane rating plate (see Figure 16).

**WARNING: This conversion kit shall be installed by a qualified service agency in accordance with the manufacturer's instructions and all applicable codes and requirements of the Authority Having Jurisdiction. If the information in these instructions is not followed exactly, a fire, explosion or production of carbon monoxide may result causing property damage, personal injury or loss of life. The qualified service agency is responsible for the proper installation of this kit. The installation is not proper and complete until the operation of the converted appliance is checked as specified in the manufacturer's instructions supplied with the kit.**

Design Certified by CSA Group  
ANS Z21.97-2017 CSA 2.41-2017  
Outdoor Decorative Gas Appliances

Model No: TMHFT19

Serial No:

Minimum Clearance From Unit To Combustible  
Construction: 72" (182.9cm) from the top, 24" (61cm) from all sides and back.  
For Outdoor Use Only. If Stored Indoors, Detach and LeaveCylinder Outdoors.  
The gas supply must be turned off at the LP-gas supply cylinder when this appliance is not in use.

**CAUTION:** This appliance has been converted to use natural gas. Propane orifice dia 2.21 mm, natural gas orifice dia 4.18 mm.  
Rated Heat Input: 50,000BTU/hr (14.65 kW).  
Type Gas: Natural gas  
Manifold Pressure: 7 inches water column (1.74 kPa).  
This appliance was converted on \_\_\_\_\_ (day-month-year) to \_\_\_\_\_ (insert gas type; e.g. Natural or Propane) gas with Kit. No. \_\_\_\_\_ by \_\_\_\_\_ (name and address of organization making this conversion), which accepts the responsibility that this conversion has been properly made.

**LIGHTING INSTRUCTIONS**

1. Push in gas control knob slightly and turn to "OFF".
2. Turn gas control knob to "ON/MIN".
3. Push in gas control knob all the way and hold. Continue to press the ignition button for 15 seconds.
4. If the burner does not light in 15 seconds, release the knob and it will pop back out. Wait 5 minutes before attempting to light the burner again, repeat step 1 to 3.

**TO TURN OFF GAS**

1. Push in gas control knob slightly and turn to "OFF".

Complies with ANS Z21.97-2017 • CSA 2.41-2017, Outdoor Decorative Gas Appliance Standards.  
Cover must be removed when burner is in operation.  
Removal of this marking will void compliance with standard ANS Z21.97-2017 • CSA 2.41-2017.  
Do not connect to a remote gas supply.

- The instruction manual contains important information necessary for the proper assembly and safe use of the appliance.
- Read and follow all warnings and instructions before assembling and using the appliance.
- Follow all warnings and instructions when using the appliance.
- If instructions or parts are missing, contact Foremost Groups Customer Service Department toll free in the United States at 1-800-443-1410 between the hours of 8:30 AM and 5:00 PM EST, Monday through Friday or via email at customerservice@foremostgroups.com

Distributed by Foremost Groups, Inc.  
906 Murray Road, East Hanover, NJ 07936, U.S.A.


**WARNING:**  
Do not store or use gasoline, or other flammable vapors and liquids, in the vicinity of this or any other appliance. An LP-cylinder not connected for use shall not be stored in the vicinity of this or any other appliance.

**WARNING:**  
If the information in this manual is not followed exactly, a fire or explosion may result causing property damage, personal injury, or loss of life.

**WARNING:**  
Placing the cylinder too close to the appliance might cause the fire hazard or property loss or even life hazard.

**WARNING:**  
Improper installation, adjustment, alteration, service or maintenance can cause property damage, personal injury or loss life. Refer to the owner's information manual provided with this appliance. Installation and service must be performed by a qualified installer, service agency, or the gas supplier.

conversion label



propane rating plate




Figure 16

# BATTERY

Make sure the control knob is in the “OFF” position. Unscrew the push button cap on the ignitor module located on the control panel to access the battery compartment. The ignitor module requires one AAA size battery (see Figure 12), BATTERY IS NOT INCLUDED.

## WARNING:

1. Please observe proper polarity and use the correct battery type when placing or replacing the battery. Improper installation could result in ignition failure.
2. Please remove the battery if consumed or if product is to be left unused for a long period of time.

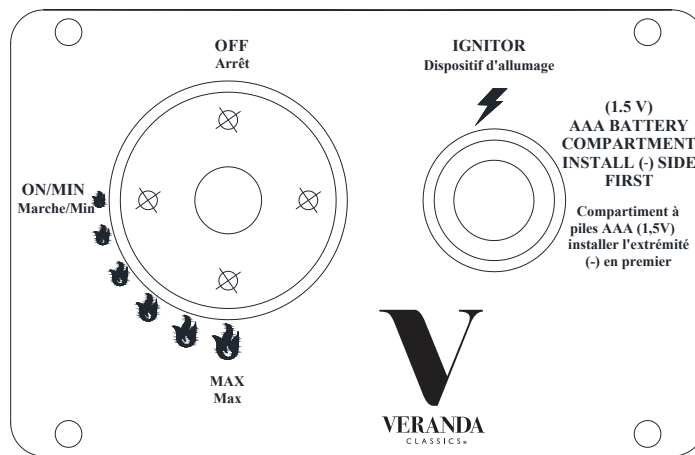


Figure 17

3. Unscrew the battery compartment cap on the control panel and install one AAA battery (not included) with the anode end of the battery located towards the battery compartment cap. (See Figure 18)

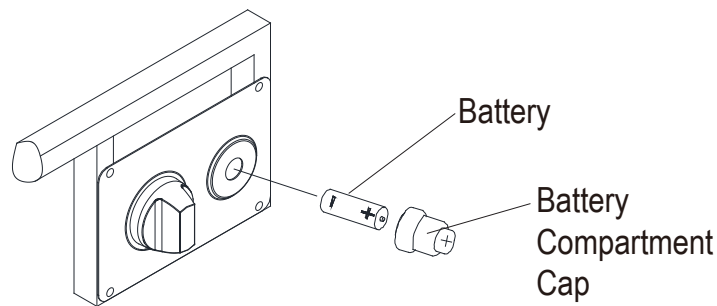
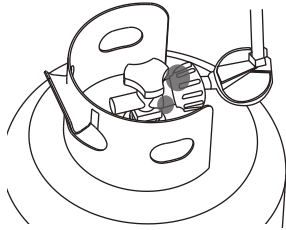


Figure 18

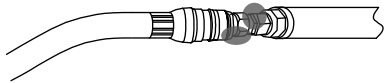
# LEAK TEST

## To prevent fire or explosion hazard when testing for a leak:

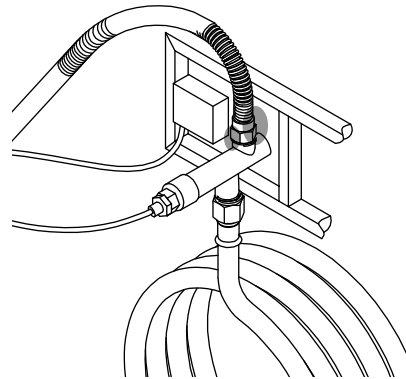
1. Always perform the leak test as described below before lighting this appliance or each time the cylinder is connected for use.
2. Do not smoke or allow other sources of ignition in the area while conducting a leak test.
3. Conduct the leak test outdoors in a well-ventilated area.
4. Do not use matches, lighters or a flame to check for leaks.
5. Do not use this appliance until any and all leaks are corrected. If you are unable to stop a leak, disconnect the propane supply. Call a gas appliance service shop or your local propane gas supplier.



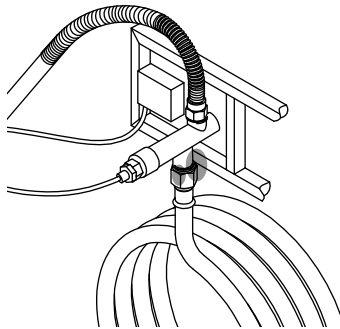
cylinder-regulator connection (Figure 19)



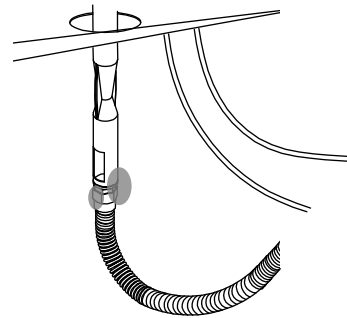
natural gas fixture-natural gas supply piping system connection (Figure 20)



gas valve-bellows connection (Figure 21)



gas valve-hose connection (Figure 22)



inlet tube-bellows connection (Figure 23)

## To perform a leak test:

1. Make 2~3 oz. of leak solution by mixing one part liquid dishwashing detergent and three parts water.  
**NOTE:** make sure control knob is "OFF".
2. Apply several drops of solution where the cylinder attaches to regulator (see Figure 19), inspect the solution at the connection looking for bubbles. If NO bubbles appear, the connection is secure. If bubbles appear, the connection has the leak, disconnect the regulator, reconnect, perform another leak check. If you continue to see bubbles after several attempts, cylinder valve is defective and should be returned to cylinder's supplier.
3. Apply several drops of solution where natural gas fixture attaches to natural gas supply piping system connection (see Figure 20), If NO bubbles appear, the connections are secure. If bubbles appear, the connection has the leak, disconnect, reconnect, perform another leak check. If you continue to see bubbles after several attempts, the part is defective and should replace the part.
4. Apply several drops of solution where gas valve attaches to bellows (see Figure 21), where gas valve attaches to hose (see Figure 22), and where inlet tube attaches to bellows (see Figure 23). If NO bubbles appear, the connections are secure. If bubbles appear, the connection has the leak, disconnect, reconnect, perform another leak check. If you continue to see bubbles after several attempts, the part is defective and should replace the part.

# LIGHTING INSTRUCTIONS

1. Push in gas control knob slightly and turn to “OFF”.
2. Turn gas control knob to “ON/MIN”.
3. Push in gas control knob all the way and hold. continue to press the ignition button for 15 seconds.
4. If the burner does not light in 15 seconds, release the knob and it will pop back out. Wait 5 minutes before attempting to light the burner again, repeat step 1 to 3.

## TO TURN OFF GAS

1. Push in gas control knob slightly and turn to “OFF”.

**WARNING:** For your safety, read and follow the Lighting Instructions in this manual and in the Rating Plate on the appliance. IMPROPER LIGHTING PROCEDURES COULD RESULT IN A FIRE HAZARD OR EXPLOSION HAZARD OR PROPERTY DAMAGE, INJURY OR LOSS OF LIFE.

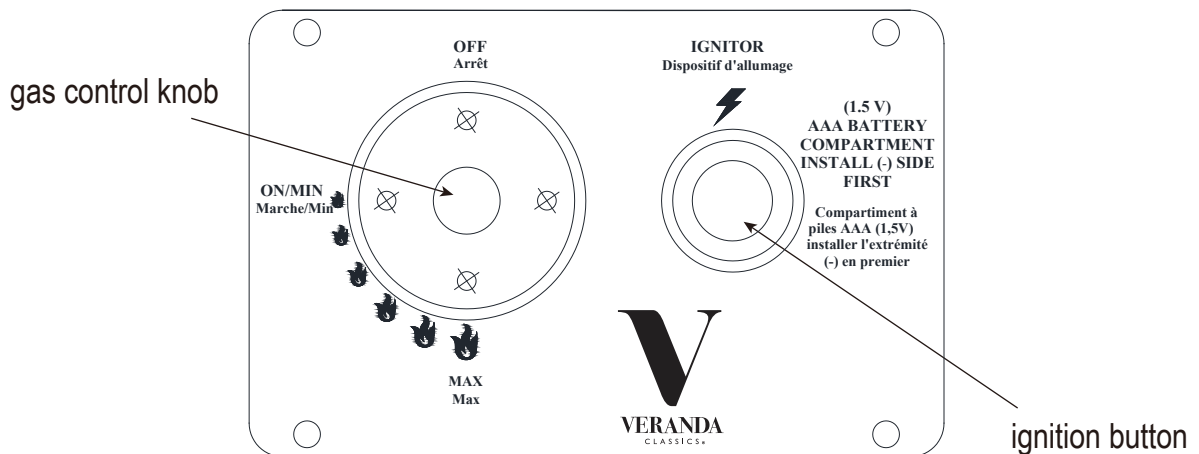


Figure 24

**Observe Flame Height When Lit:** The burner will display blue and yellow flames. These flames should be a blue / yellow color between 1~2 in. height (see Figure 25). These flames should not be yellow or produce thick smoke. This would indicate an obstruction of airflow through the burners. The flames should be blue with straight yellow tops.

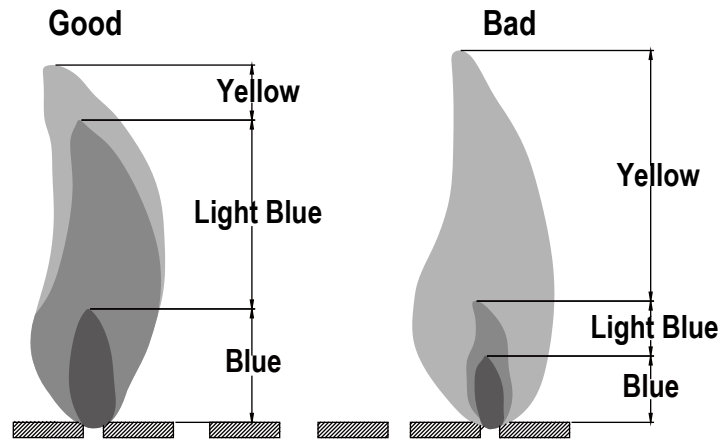


Figure 25

## CARE AND MAINTENANCE

To enjoy the outstanding performance from your fire pit, make sure you perform the following activities on a regular basis:

1. Use warm soapy water for cleaning. Never use flammable or corrosive cleaning agents.
2. While cleaning the fire pit, make sure to keep the area around the burner dry at all times. DO NOT submerge the control valve assembly. If the gas control is submerged in water, DO NOT use it. It must be replaced.
3. Air flow must be unobstructed. Keep controls, burner, and circulating air passageways clean. Signs of possible blockage include:
  - (1). Gas odor with extreme yellow tipping of flame.
  - (2). Fire pit does NOT reach the desired temperature.
  - (3). Fire pit flame is excessively uneven.
  - (4). Fire pit makes popping noises.
  - (5). Spiders and insects can nest in burner or orifice. This dangerous condition can damage fire pit and render it unsafe for use. Clean burner holes by using a heavy-duty pipe clearer. Compressed air may help clear away small particles.
4. Carbon deposits may create a fire hazard. Clean burner with warm soapy water if any carbon deposits develop.
5. Cover your fire pit with an outdoor weather cover when not in use to protect it from the elements.

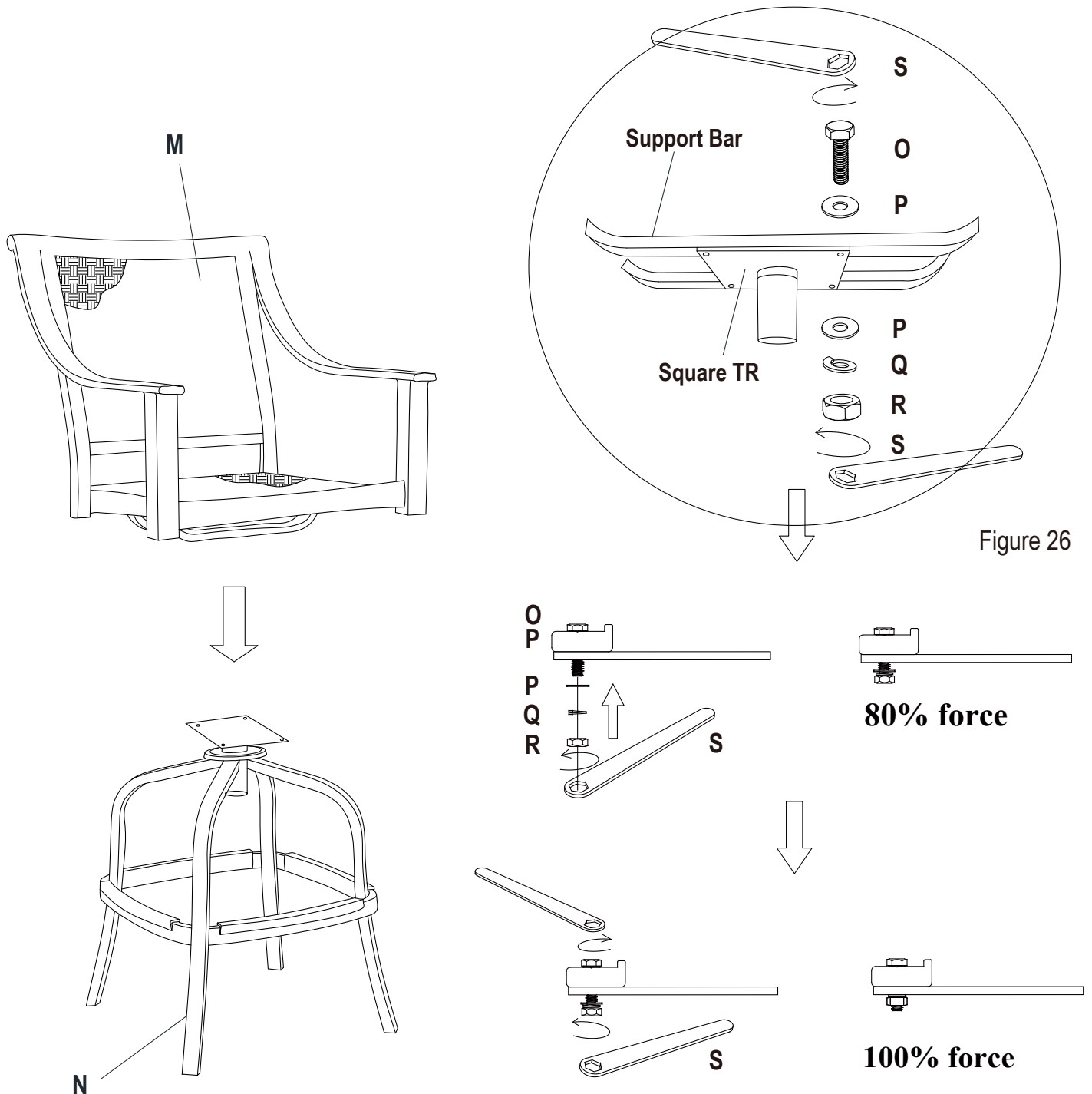
**NOTE:** Always allow fire pit to cool COMPLETELY before you cover the fire pit with an outdoor weather cover or you attempt the service or maintenance.



# ASSEMBLY INSTRUCTIONS

**Remove all protective material carefully. Avoid cutting the surface of the furniture while removing the packaging material.**

Place the chair base (N) on a flat surface. Remove the Bolt (O), flat washers (P), lock washers (Q) and nuts (R) from the chair bucket (M). Loosely attach the chair bucket (M) to the base (N). Please insert bolts (O) through flat washer (P) followed by support bar, square TR. Secure with flat washers (P) lock washers (Q) and nuts (R). Use wrenches (S) provided to securely tighten all nuts (R) and bolts (O). (Figure 26)



Place the seat cushions (T) on the chairs. (Figure 27)

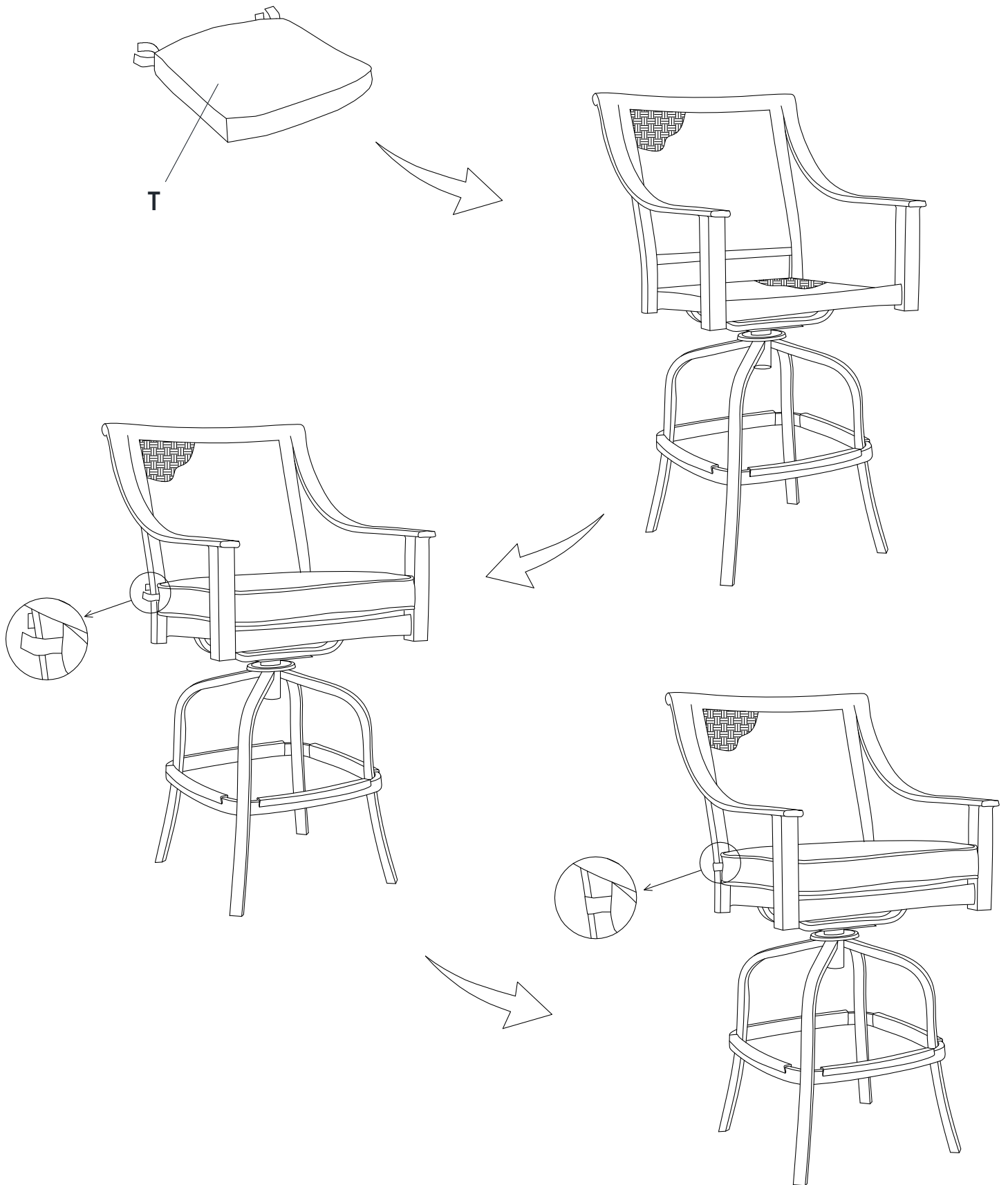


Figure 27

## CARE & MAINTENANCE

Clean furniture frame with wet towel using mild soap and water solution. Dry completely with soft towel. Clean cushions and sling seat material with a mild solution of soap and water and hang cushions to drip dry completely. Store them in a clean dry area of your home. Do not machine wash or dry. Do not use bleach or strong solvents to clean any of your patio furniture. It will harm both fabrics and metal finishes. Caution should be used when using oils, lotions and other chemicals such as chlorine or repeated exposure to extreme weather conditions (including heat), which may cause permanent discoloration to the fabric. To maintain and protect the furniture, always cover it with an outdoor furniture cover or store in a safe area when not in use for long periods of time.

### Tips and Info on Cushion Use:

To ensure longevity of your patio set, each seat cushion is made with high density foam. With initial use the seat cushions may feel firm, but with continued use the cushions will continue to soften and provide the ultimate comfort for seasons to come.

Extended exposure to the elements can contribute to cushions becoming water saturated. To combat this, allow your cushions to air-dry properly with these quick tips:

1. Unzip the cushion cover to ventilate and facilitate the drying process. Do not remove the cushion covers completely.

2. Place cushions upright, with the zipper facing down to drain excess moisture faster.

For best results, store cushions indoors during inclement weather and rainy seasons.

### Sunbrella® Fabric Cleaning Instructions:

Sunbrella® fabric should be cleaned regularly. Brush off any loose dirt and wash with a mild soap and lukewarm water solution. For stubborn stains and mildew, wash with a solution of 236 ml (1 cup) of bleach and 59 ml (1/4 cup) of mild soap per 3.8 l (gallon) of water. Rinse thoroughly to remove soap. Allow fabric to air dry.

Distributed by:  
Costco Wholesale Corporation  
P.O. Box 34535  
Seattle, WA 98124-1535  
USA  
1-800-774-2678  
www.costco.com

Costco Wholesale Canada Ltd.\*  
415 W. Hunt Club Road  
Ottawa, Ontario  
K2E 1C5, Canada  
1-800-463-3783  
www.costco.ca  
\* faisant affaire au Québec sous  
le nom les Entrepôts Costco

Importado por:  
Importadora Primex S.A. de C.V.  
Blvd. Magnocentro No. 4  
San Fernando La Herradura  
Huixquilucan, Estado de México  
C.P. 52765  
RFC: IPR-930907-S70  
(55)-5246-5500  
www.costco.com.mx

Costco Wholesale Australia Pty Ltd  
17-21 Parramatta Road  
Lidcombe NSW 2141  
Australia  
www.costco.com.au

Costco Wholesale UK Ltd /  
Costco Online UK Ltd  
Hartspring Lane  
Watford, Herts  
WD25 8JS  
United Kingdom  
01923 213113  
www.costco.co.uk

Costco Wholesale Spain S.L.U.  
Polígono Empresarial Los Gavilanes  
C/ Agustín de Betancourt, 17  
28906 Getafe (Madrid) España  
NIF: B86509460  
900 111 155  
www.costco.es

Costco Wholesale Iceland ehf.  
Kauptún 3-7, 210 Gardabaer  
Iceland  
www.costco.is

Costco France  
1 avenue de Bréhat  
91140 Villebon-sur-Yvette  
France  
01 80 45 01 10  
www.costco.fr

Costco Wholesale Japan Ltd.  
3-1-4 Ikegami-Shincho  
Kawasaki-ku, Kawasaki-shi,  
Kanagawa 210-0832 Japan  
0570-200-800  
www.costco.co.jp

Costco Wholesale Korea, Ltd.  
40, Iljik-ro  
Gwangmyeong-si  
Gyeonggi-do, 14347, Korea  
1899-9900  
www.costco.co.kr

Costco Wholesale New Zealand Limited  
2 Gunton Drive  
Westgate  
Auckland 0814  
New Zealand

Costco (China) Investment Co., Ltd.  
Room 1003, Block 2, 2388 Xiupu Road,  
Pudong New Area, Shanghai  
China 201315  
+86-21-6257-7065

Costco Wholesale Sweden AB  
Saluvägen 5  
187 66 Täby  
Sweden

**MADE IN INDONESIA / FABRIQUÉ EN INDONÉSIA / HECHO EN INDONESIA**