

SOJAG

Sojag code: 999-9167511

CUP/UPC code: 772830167511

Costco code: 377841

QUESTIONS? 0 800 032-4324

Assembly Manual / Guide d'assemblage / Manual de ensamblaje / 조립설명서 / Montageanleitung

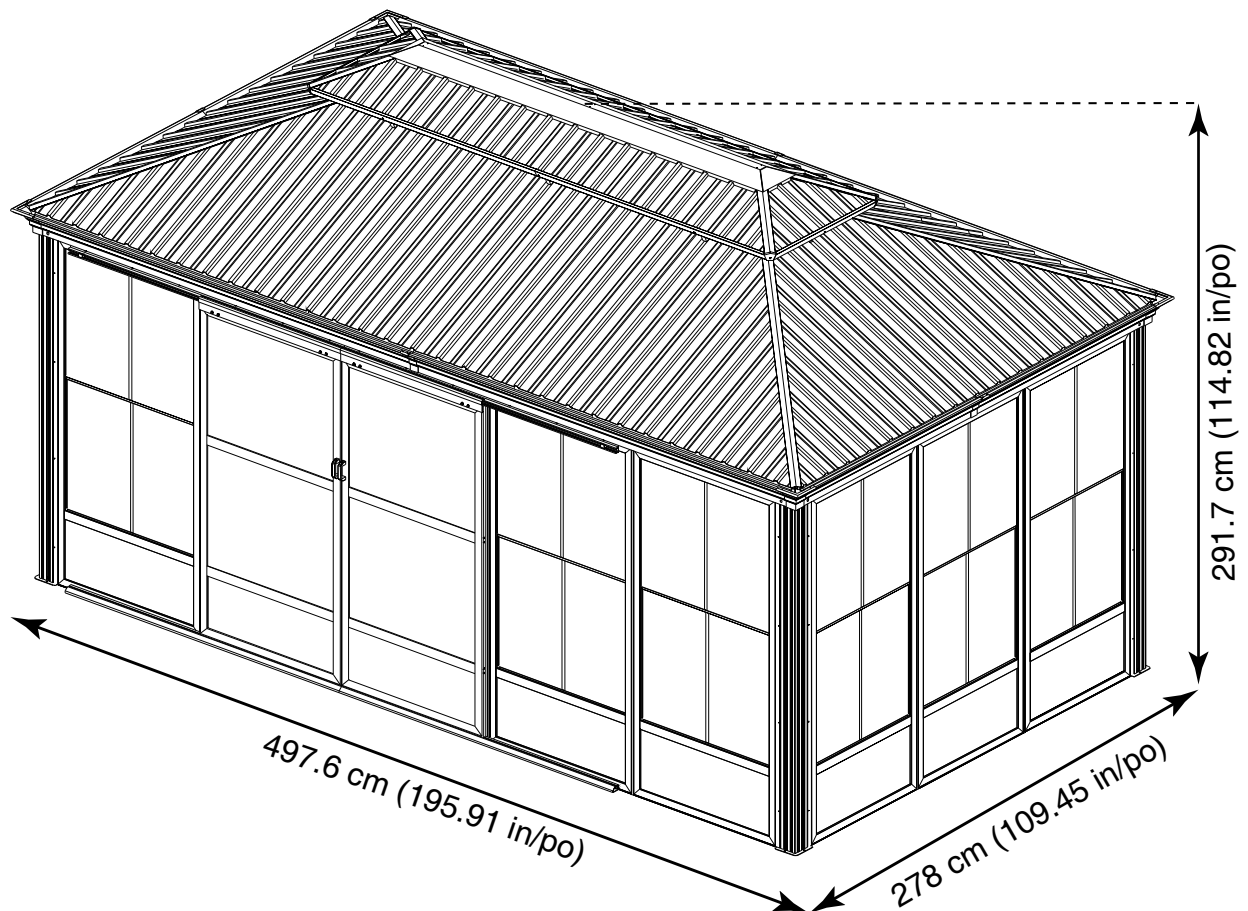
IMPORTANT, RETAIN FOR FUTURE REFERENCE: READ CAREFULLY

IMPORTANT : CONSERVER POUR RÉFÉRENCE FUTURE ET LIRE ATTENTIVEMENT

IMPORTANTE : CONSERVE PARA REFERENCIA FUTURA. LEA CUIDADOSAMENTE ANTES

Wichtig: für den zukünftigen Gebrauch aufbewahren: sorgfältig lesen.

중요: 주의 깊게 읽고 나중에 참조할 수 있도록 보관하십시오



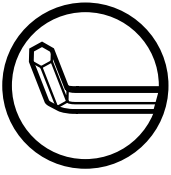
For Outdoor Use only. Not for Commercial Use.

Pour usage extérieur seulement. Pas pour usage commercial.

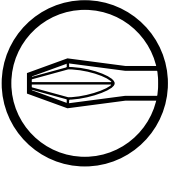
Solo para uso en exteriores. No para uso comercial.

Nur für den Gebrauch im Freien. Nicht für den kommerziellen Gebrauch geeignet.

이 제품은 옥외용이며 상업용이 아닙니다.



Use the hex keys in the box. / Utilisez les clés hexagonales fournies dans la boîte. / Utilice las llaves hexagonales en la caja. / 상자에 육각 키를 사용 하십시오. / Verwenden Sie die Sechskantschlüssel in der Box.



Please use a Phillips screwdriver. / Utilisez un tournevis de type Phillips / Por favor, use un destornillador Phillips. / 십자 드라이버를 사용 하십시오. / Bitte verwenden Sie einen Kreuzschraubenzieher.



You may need to use a drill for this step. / Vous pouvez avoir besoin d'utiliser une perceuse pour cette étape. / Puede que tenga que utilizar un taladro para este paso. / 이 단계에선 드릴을 사용해야 할 수도 있습니다. / Für diesen Schritt können Sie einen Bohrer verwenden.



Wearing protective gloves is recommended. / Le port de gants de protection est recommandé / El uso de guantes de protección se recomienda. / 보호 장갑을 착용 하는 것이 좋습니다. / Das Tragen von Schutzhandschuhen wird empfohlen.



Two or more people are required at this stage. / Deux personnes ou plus sont nécessaires à cette étape. / Dos o más personas se requieren en esta etapa. / 이 단계에서는 두 명 이상이 필요합니다. / Für diesen Bauschritt sind 2 oder mehr Personen erforderlich.



Do not tighten screws all the way for now. / Ne pas visser fermement pour l'instant. / No atornille con firmeza por ahora. / 아직 나사를 단단히 조이지 마십시오. / Bitte die Schrauben zum jetzigen Zeitpunkt noch nicht fest anziehen.

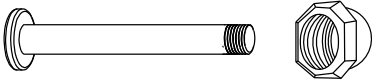


Sold separately. / Vendus séparément. / vendido en las opciones. / 옵션 판매 / Optional erhältlich

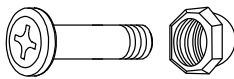


Optional step / Étape optionnelle / Paso opcional / 선택적 단계 / Optionaler Schritt

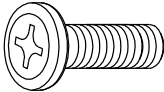
S X 12(EXTRA 2 pcs)



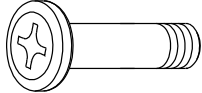
T X 80(EXTRA 7 pcs)



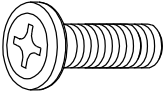
U X 17(EXTRA 2 pcs)




U1 X 8(EXTRA 1 pcs)



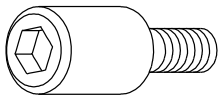
V X 216(EXTRA 10 pcs)



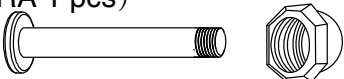
Wa X 2(EXTRA 1 pcs)



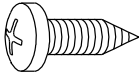
X X 16(EXTRA 2 pcs)



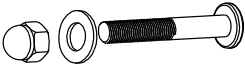
X1 X 16(EXTRA 1 pcs)



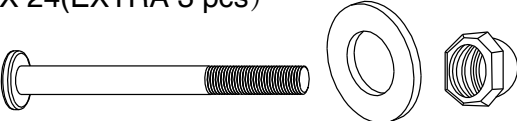
Y X 88(EXTRA 9 pcs)



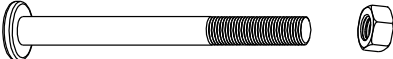
B10 X 16(EXTRA 2 pcs)




Z1 X 24(EXTRA 3 pcs)



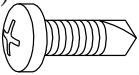
Z2 X 24(EXTRA 3 pcs)




Z3 X 16(EXTRA 2 pcs)



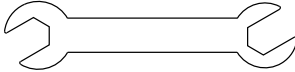
Z4 X 32(EXTRA 4 pcs)



G3 X 1



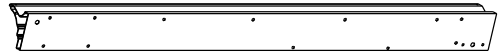
G4 X 1



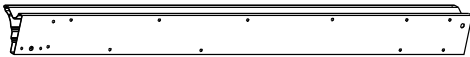
A X4



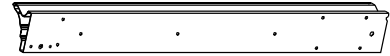
B X2



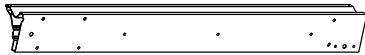
B1 X2



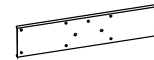
C1 X2



C X2



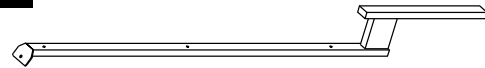
D X4



E X4



E1 X8



F X4



F1 X2



F2 X2



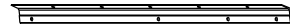
F3 X2



F4 X2



F5 X2

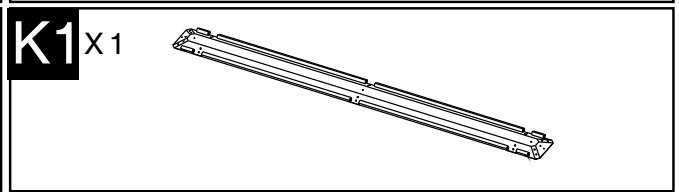
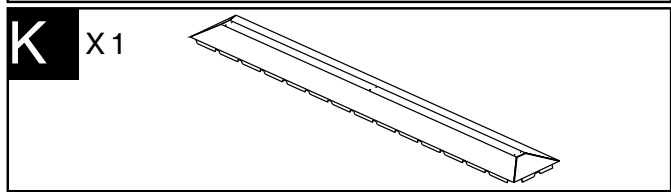
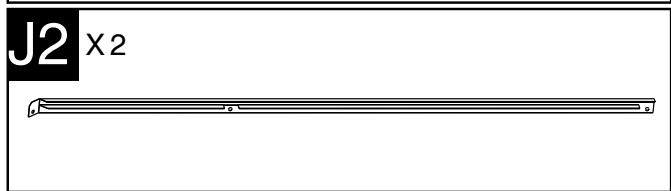
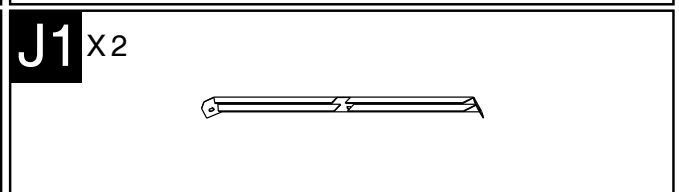
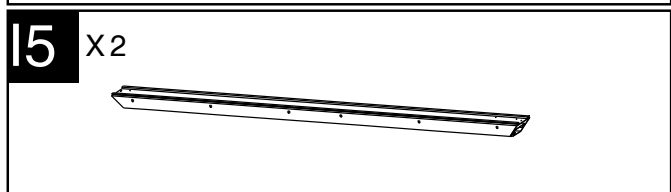
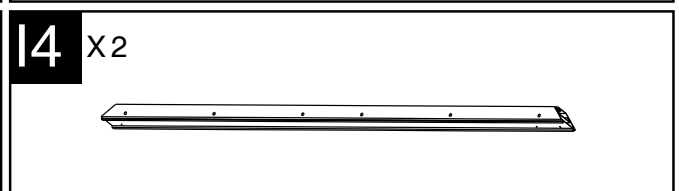
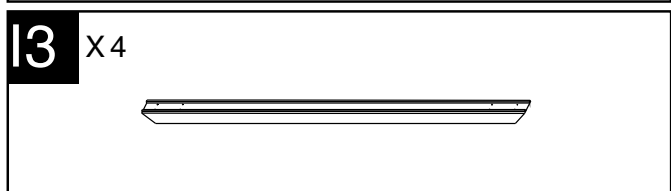
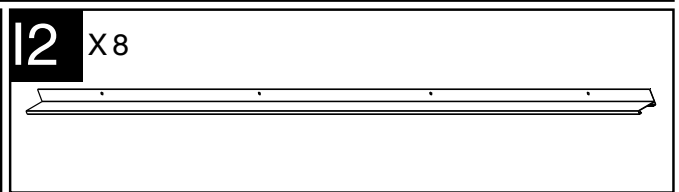
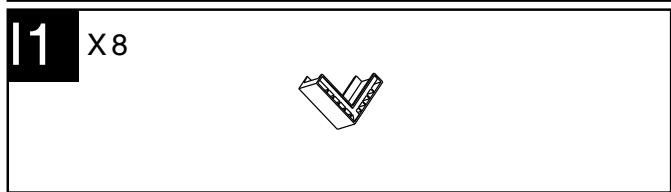
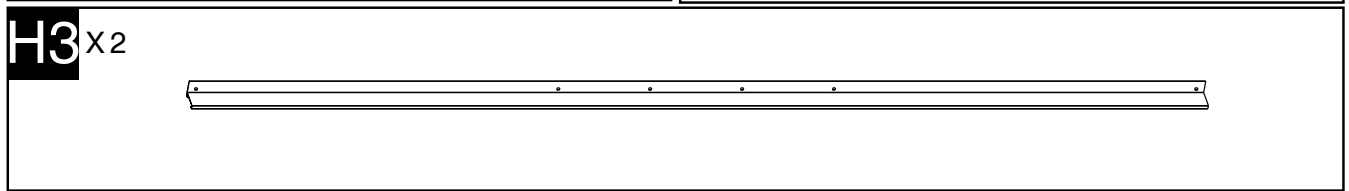
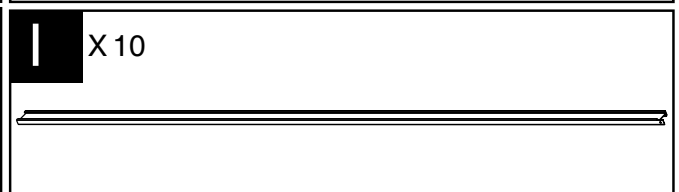
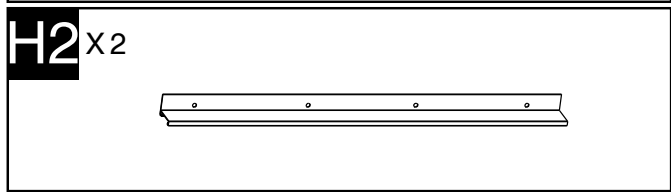
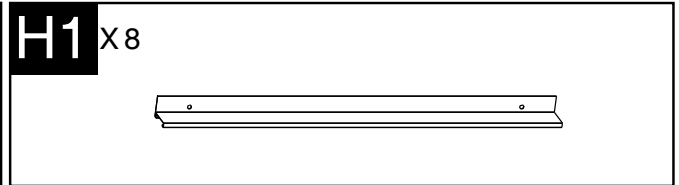
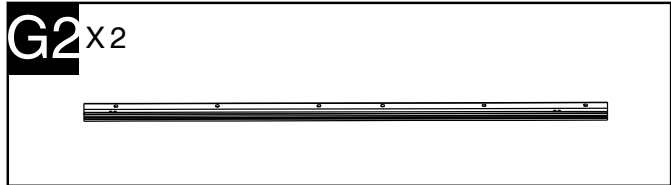


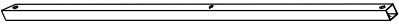

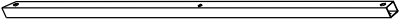
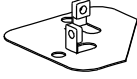

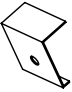
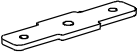



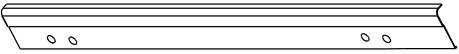




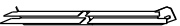




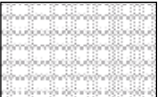
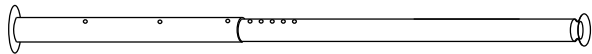

F6 X2

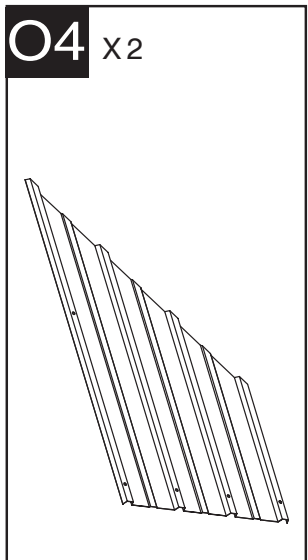
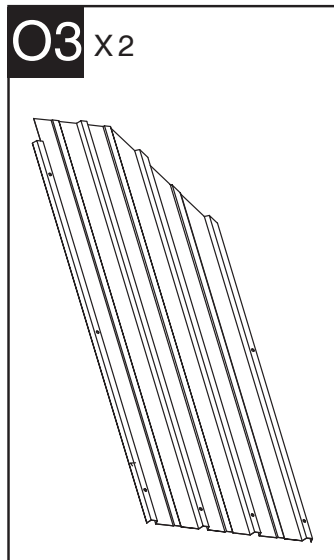
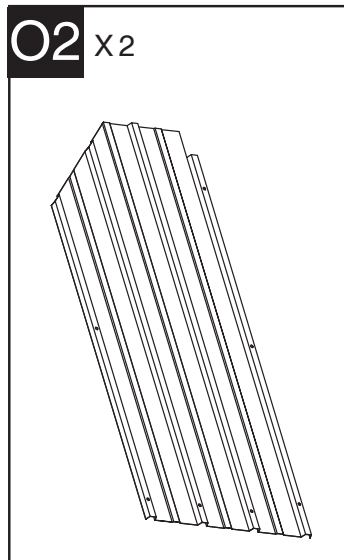
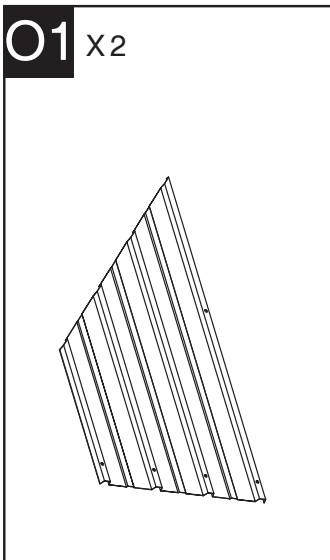
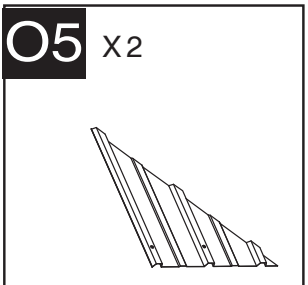
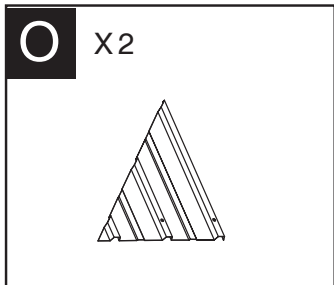
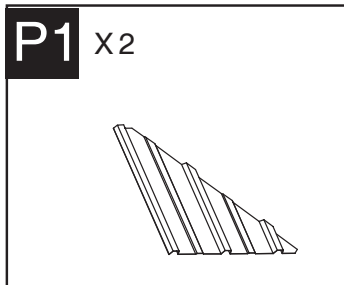
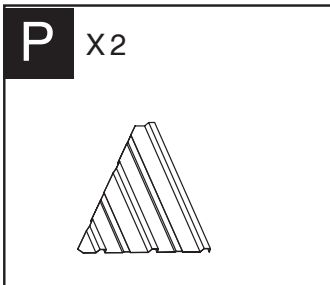
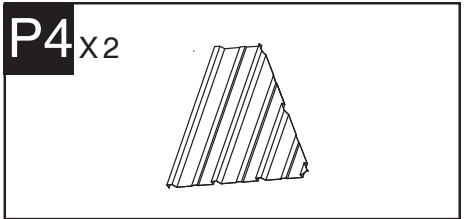
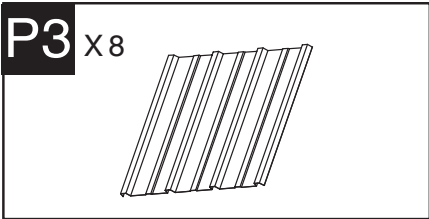
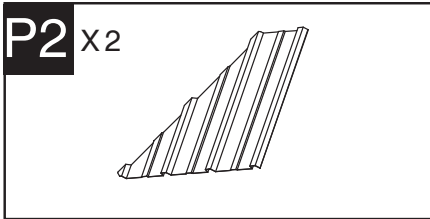
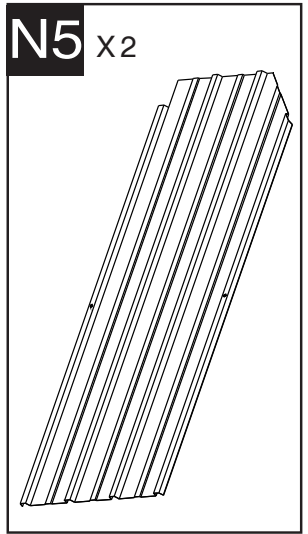
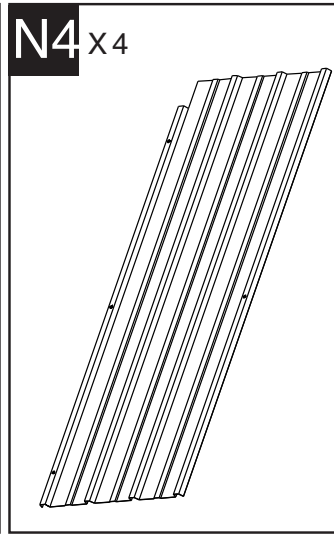
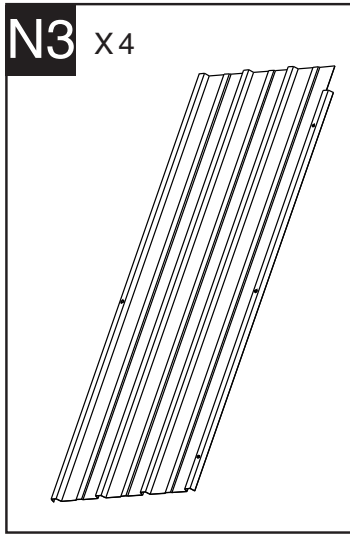
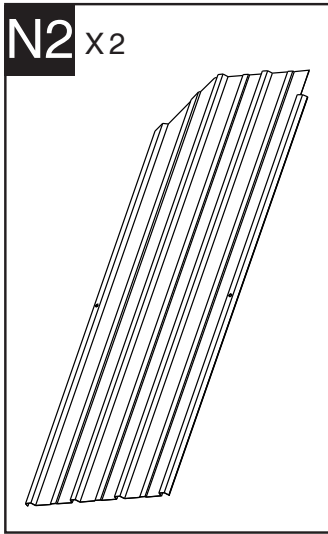


G1 X2

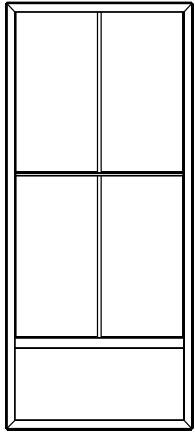




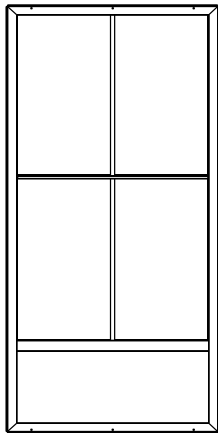
L1 X4 	L2 X4 	
L3 X4 	M1 X4 	M2 X8 
M5 X2 	M3 X8 	M4 X4 
B5 X8 	B8 X8 	B9 X4 
V1 X8 	V2 X8 	D1 X16 
R X56 	R2 X2 	R3 X2 
R4 X2 	W X4 	W1 X4 
Zs X1 	Wb X2 	Ws X2 



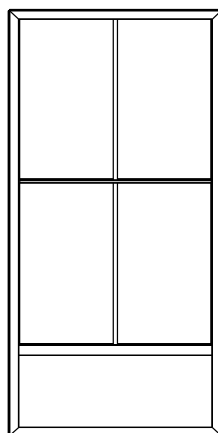
A1 X6



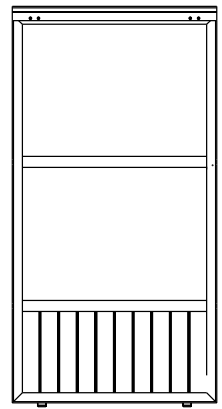
A2 X4



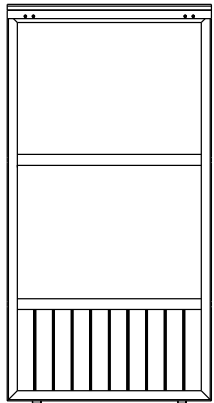
A3 X2



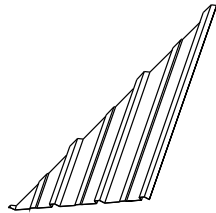
B2 X2



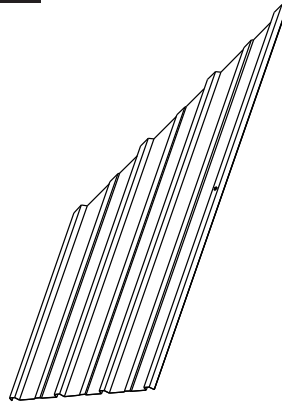
B3 X2



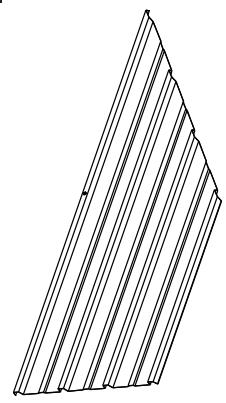
N X2



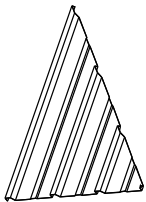
N1 X2

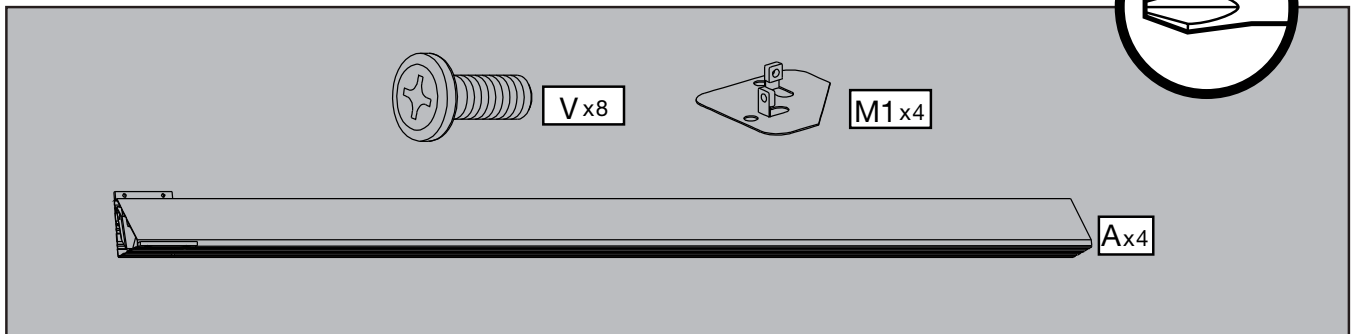
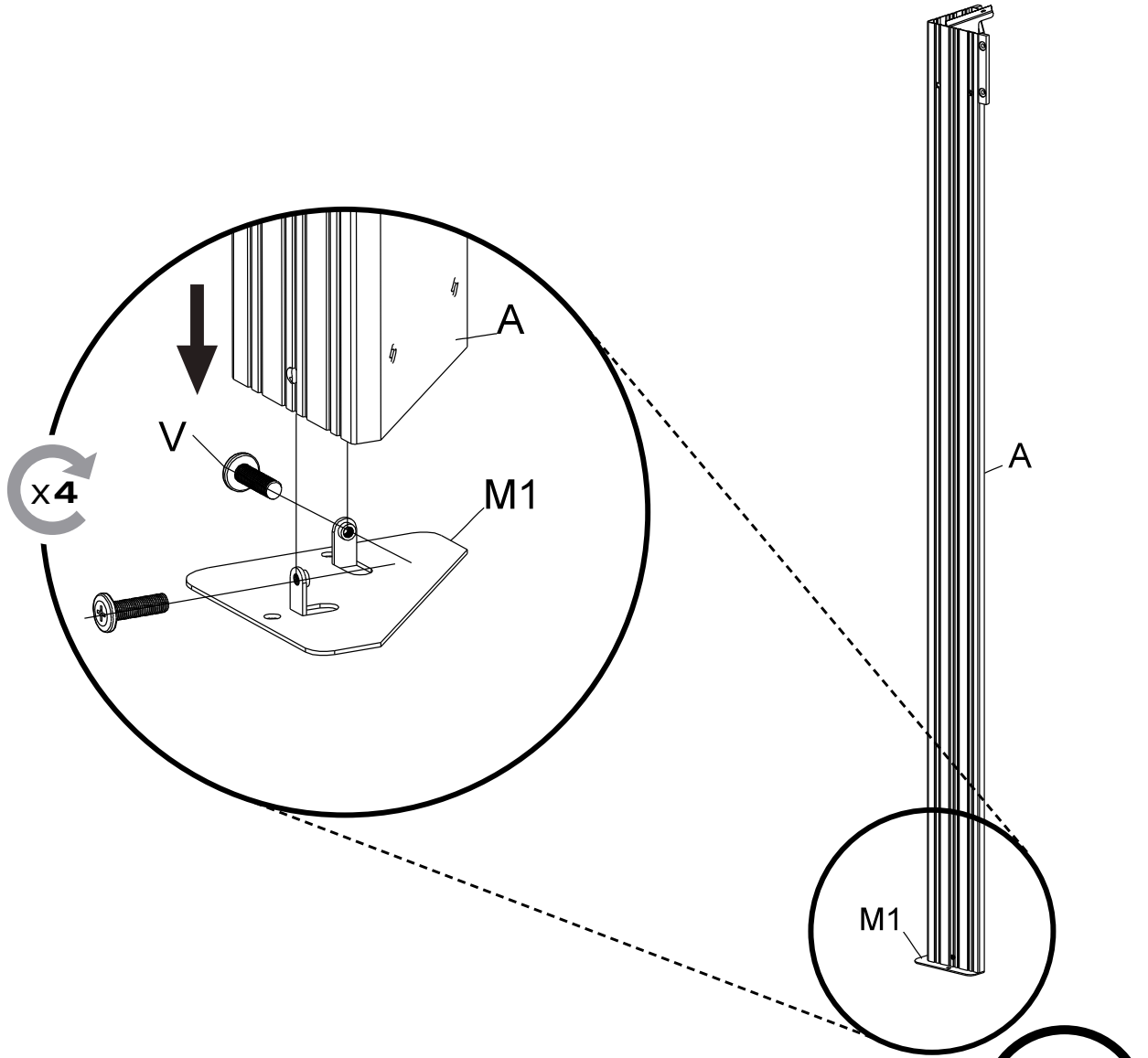


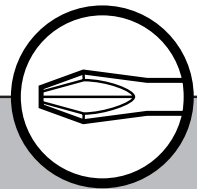
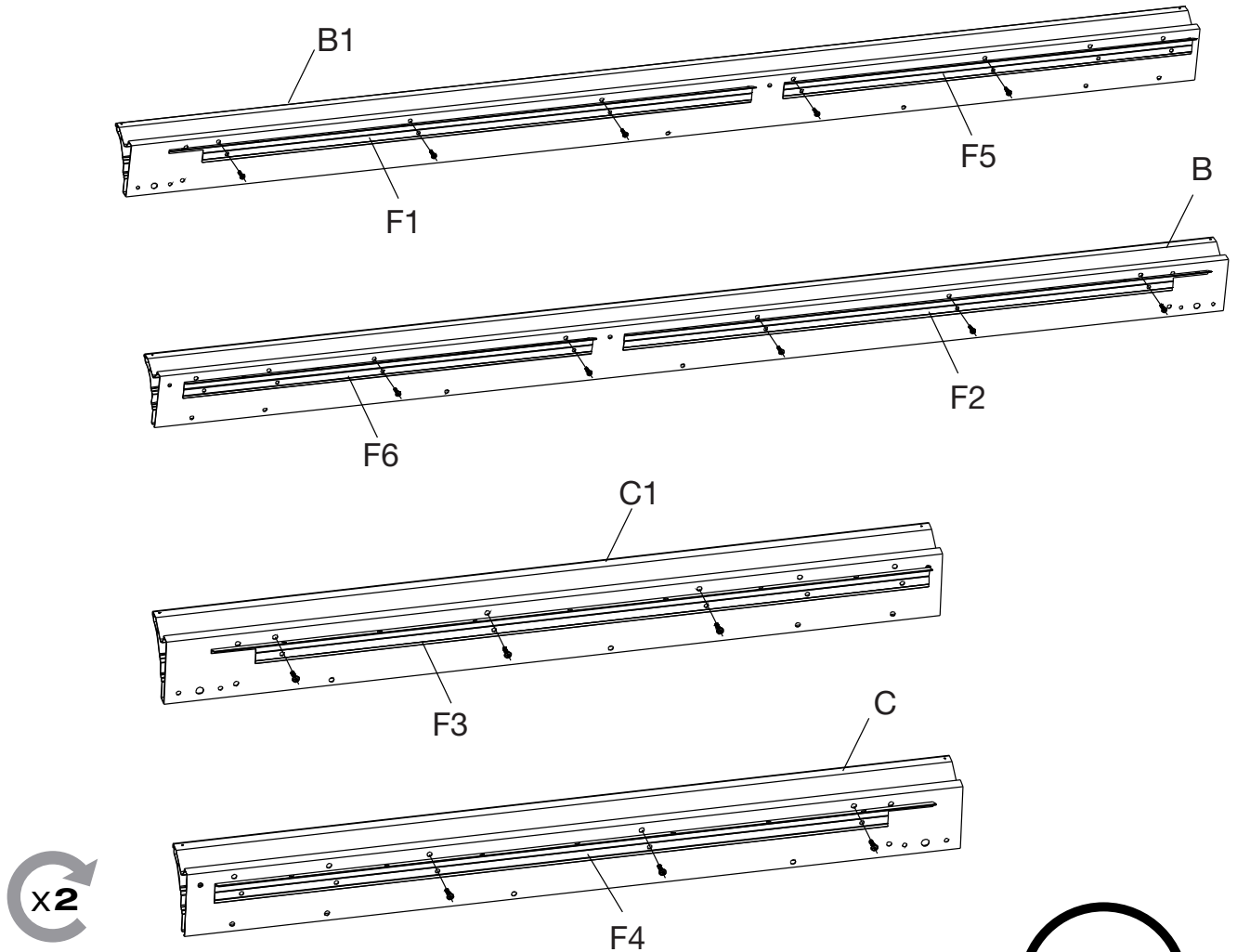
N6 X2



N7 X2

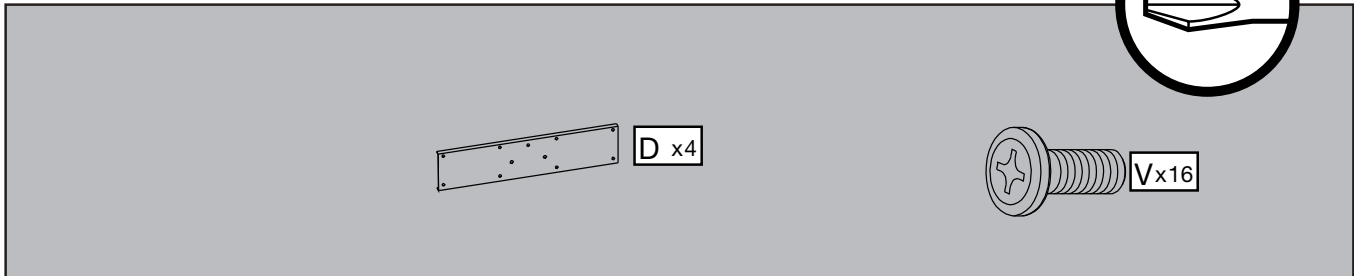
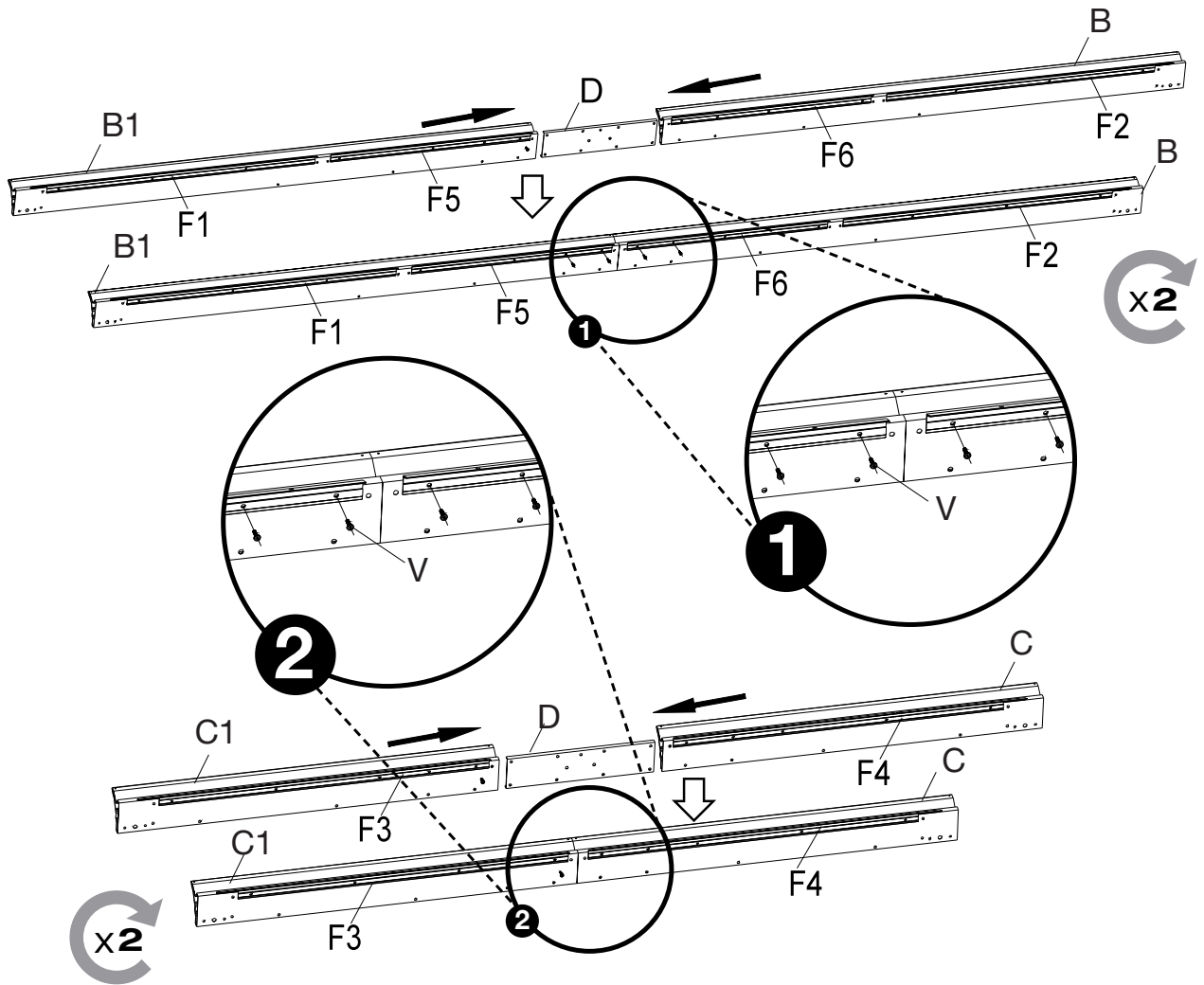


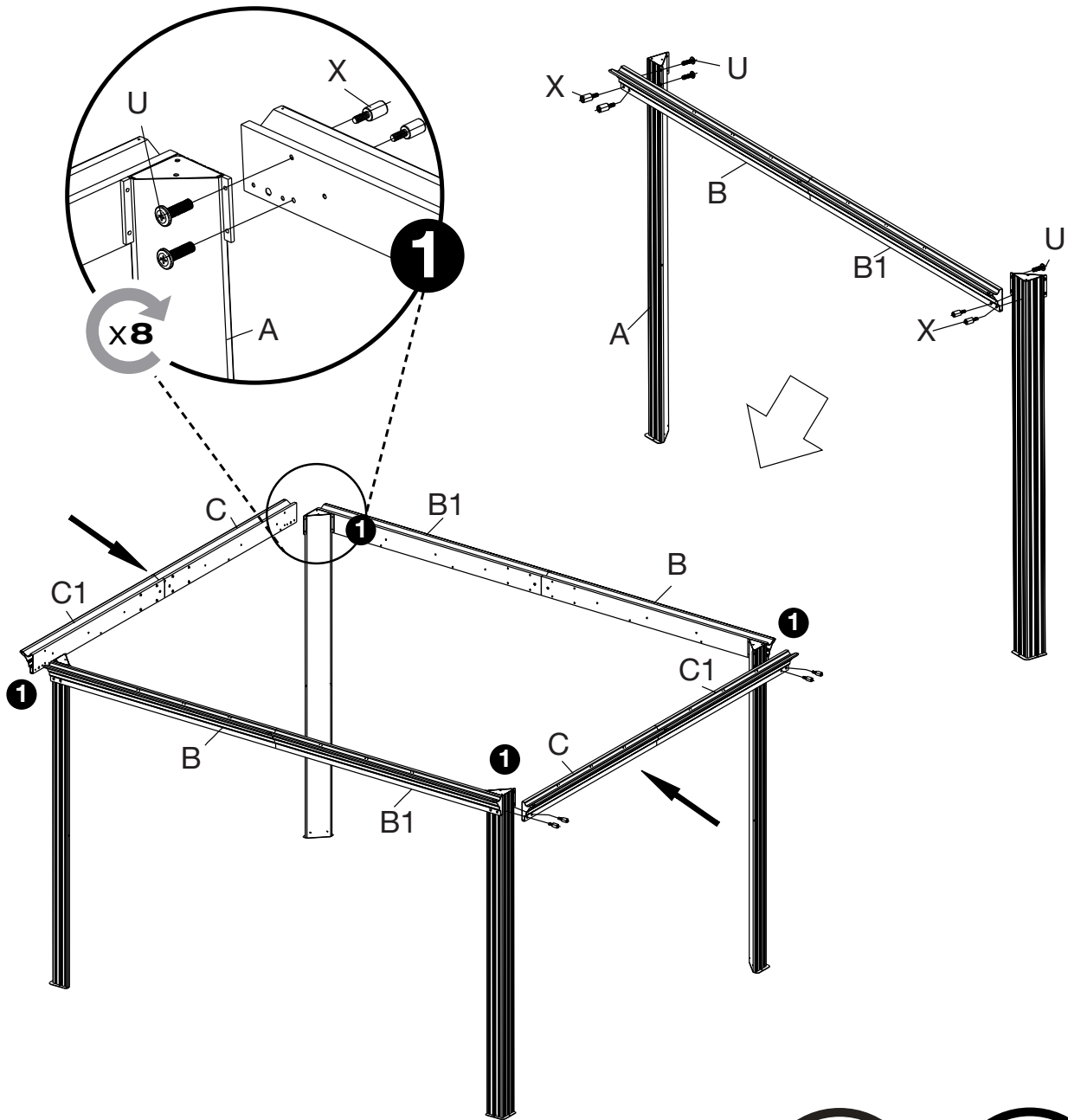




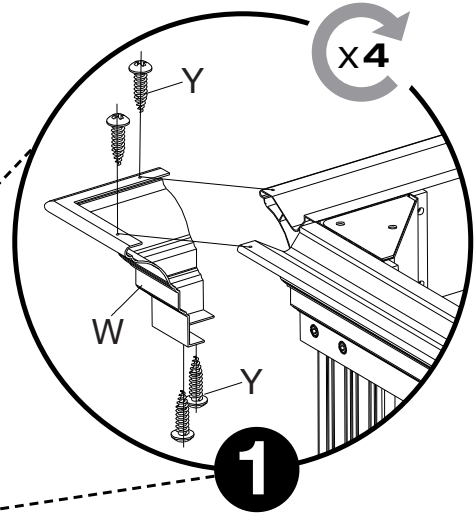
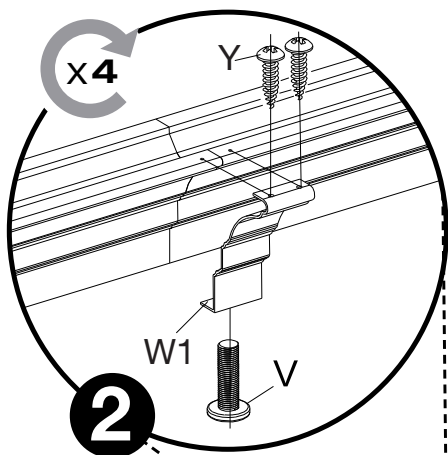
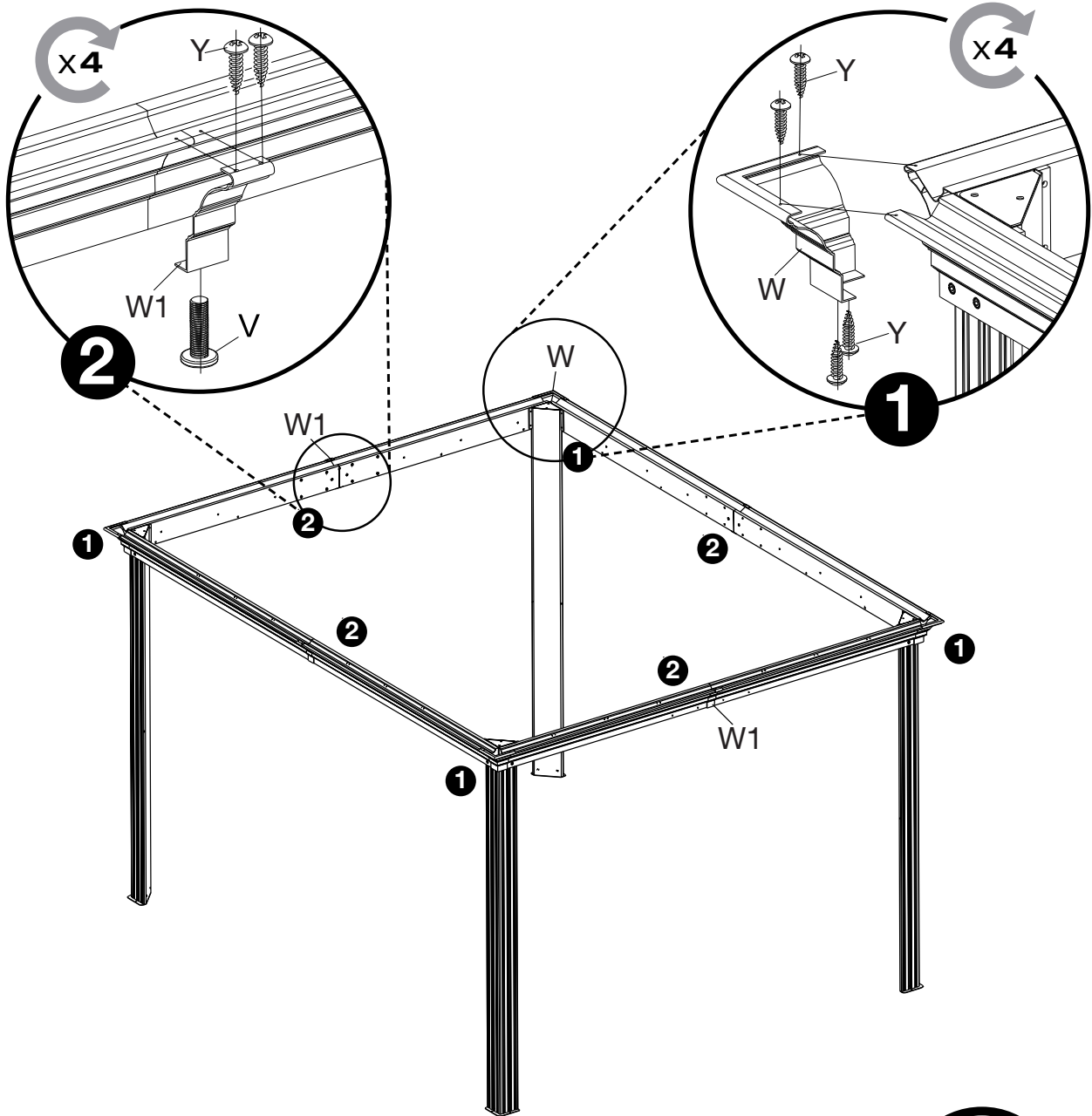
Parts list for the assembly:

- B x2
- B1 x2
- C x2
- C1 x2
- F1 x2
- F2 x2
- F3 x2
- F4 x2
- F5 x2
- F6 x2
- V x32





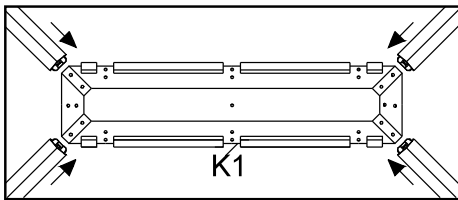
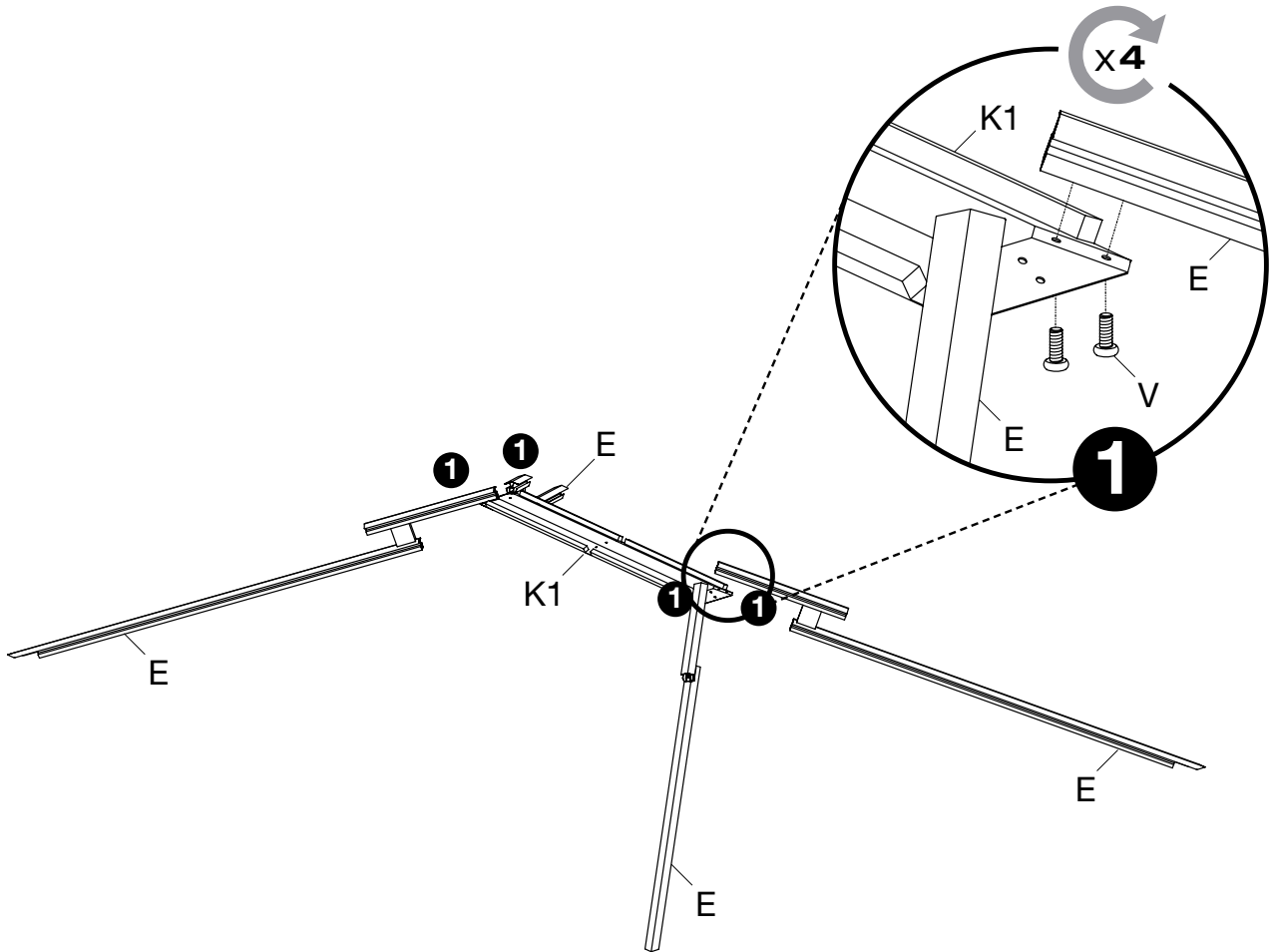
This section contains the parts list and icons for step 1. On the left, there is a bolt labeled 'Xx16'. In the center, there is a screw labeled 'Ux16'. To the right, there are two circular icons: one showing two people and the number '2+', and another showing a hand holding a screwdriver.



A parts list and tool icon are located at the bottom of the page. The parts list includes:

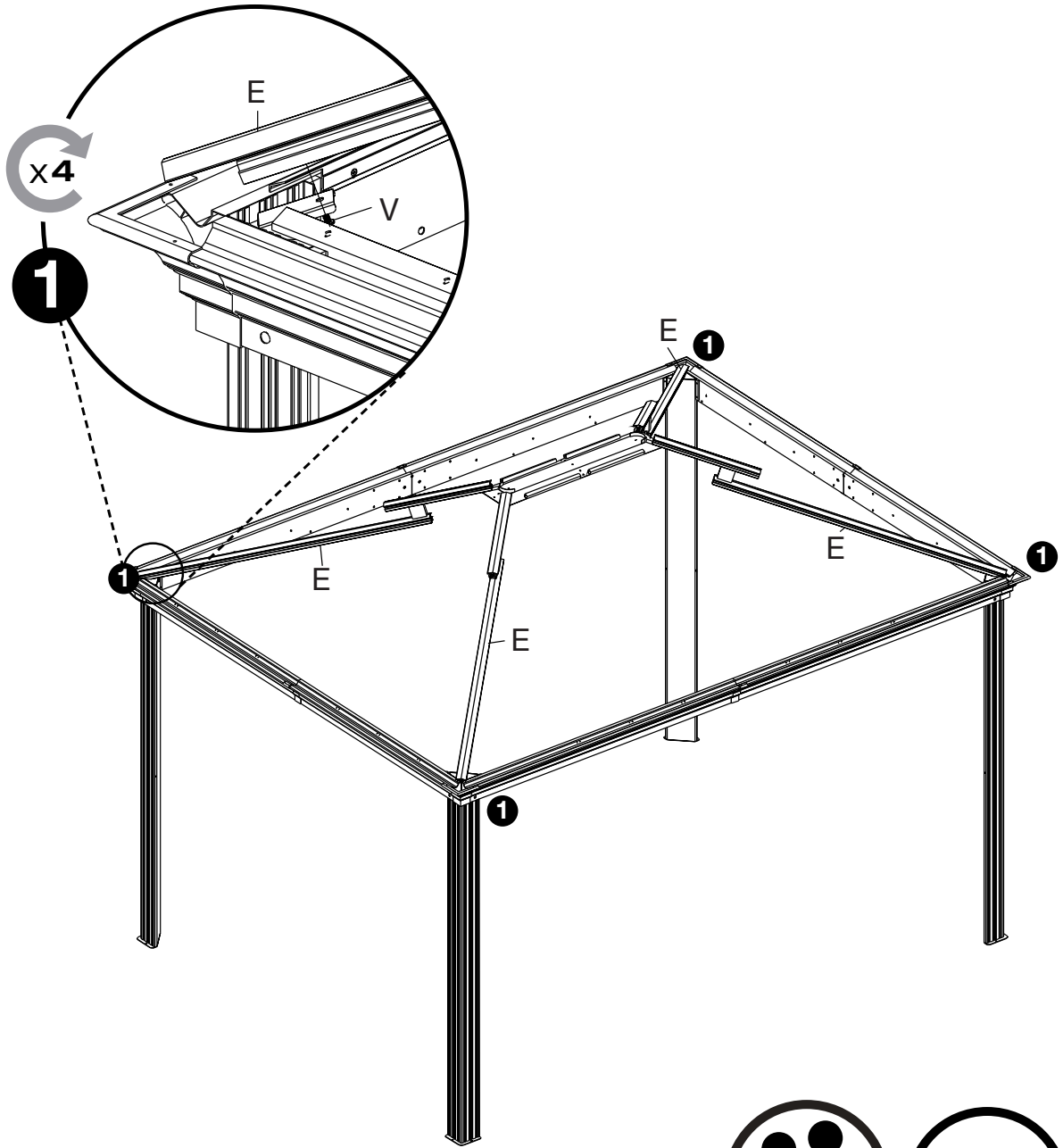
- W x4 (Top rail)
- W1 x4 (Side rail)
- Y x24 (Screws)
- V x4 (Legs)

A circular icon of a screwdriver is also present.

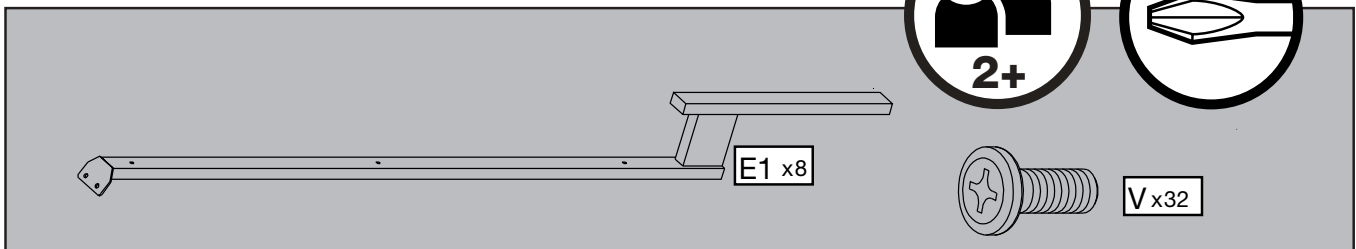
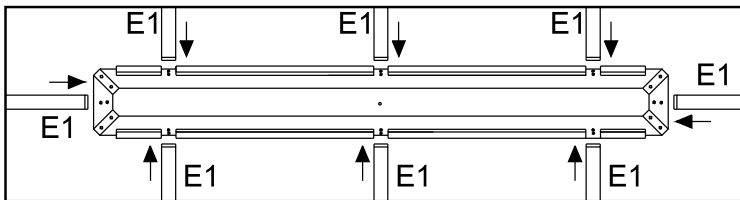
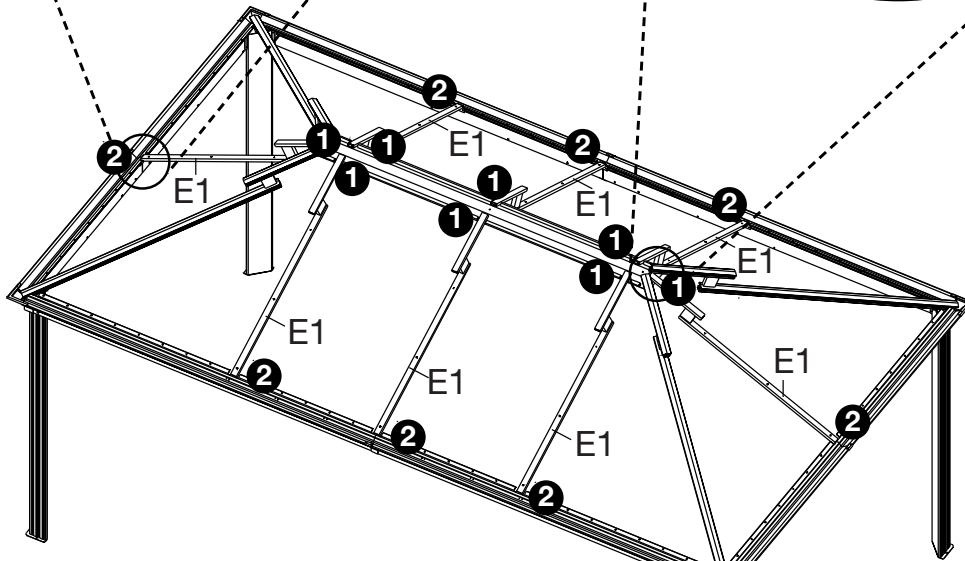
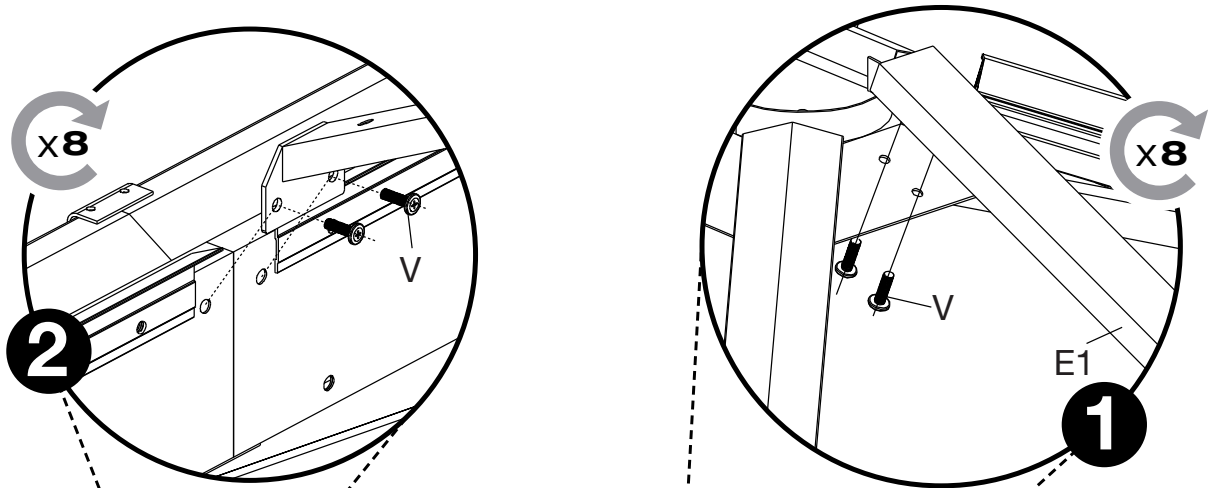


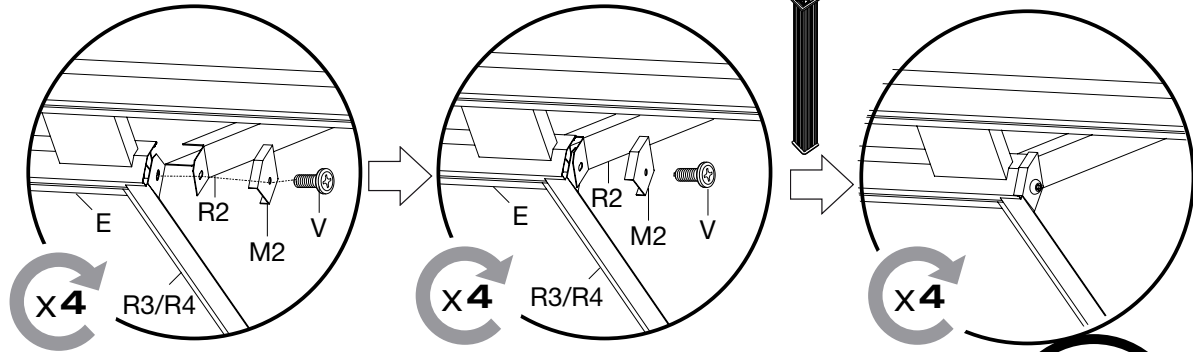
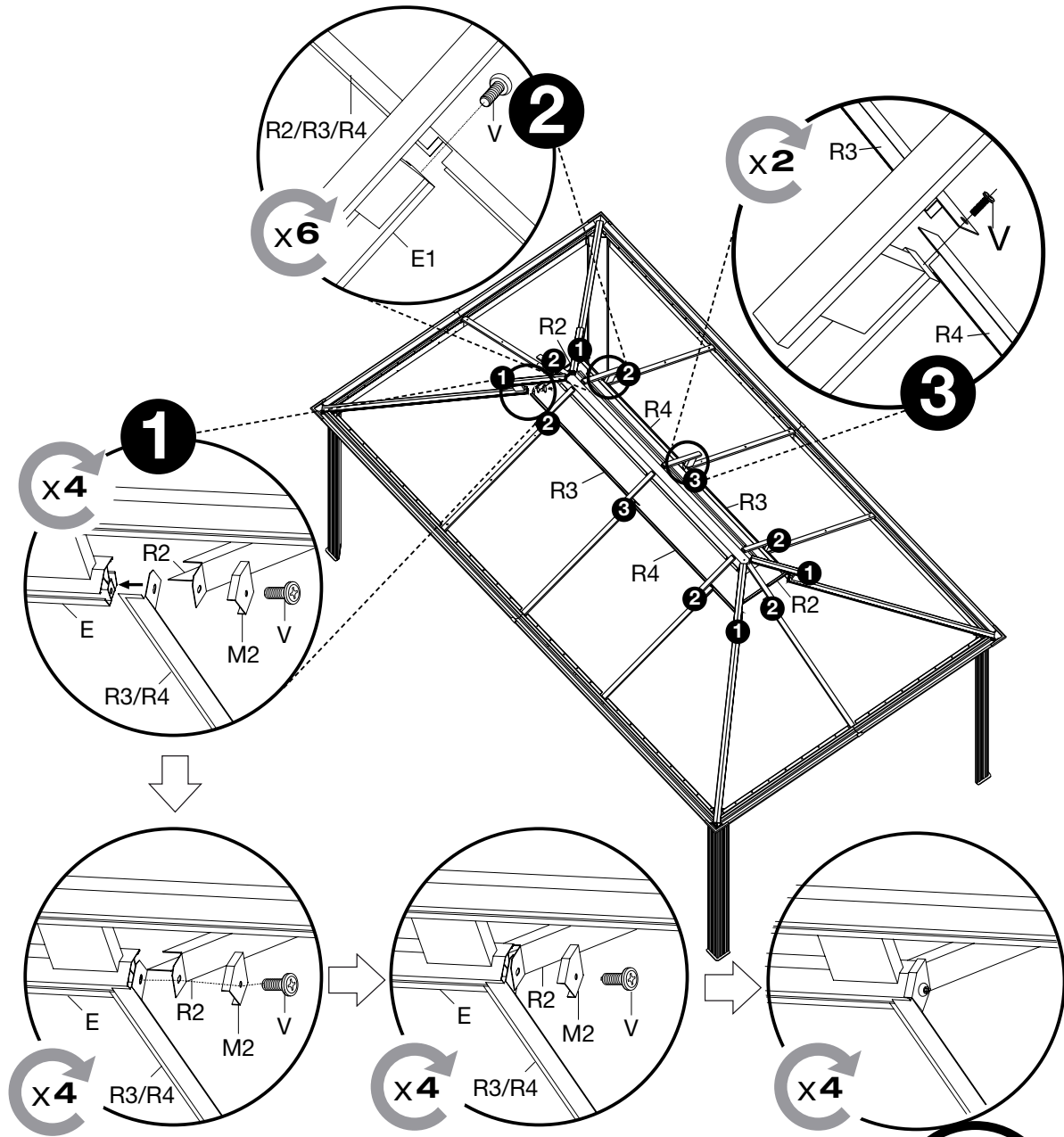
This section contains icons for the required resources and a list of parts. On the right, there are two circular icons: one showing two people with the number '2+' below it, and another showing a screwdriver. Below these icons, the parts list is displayed:




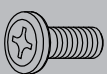

- K1 x1**: One frame component.
- E x4**: Four legs.
- V x8**: Eight screws.

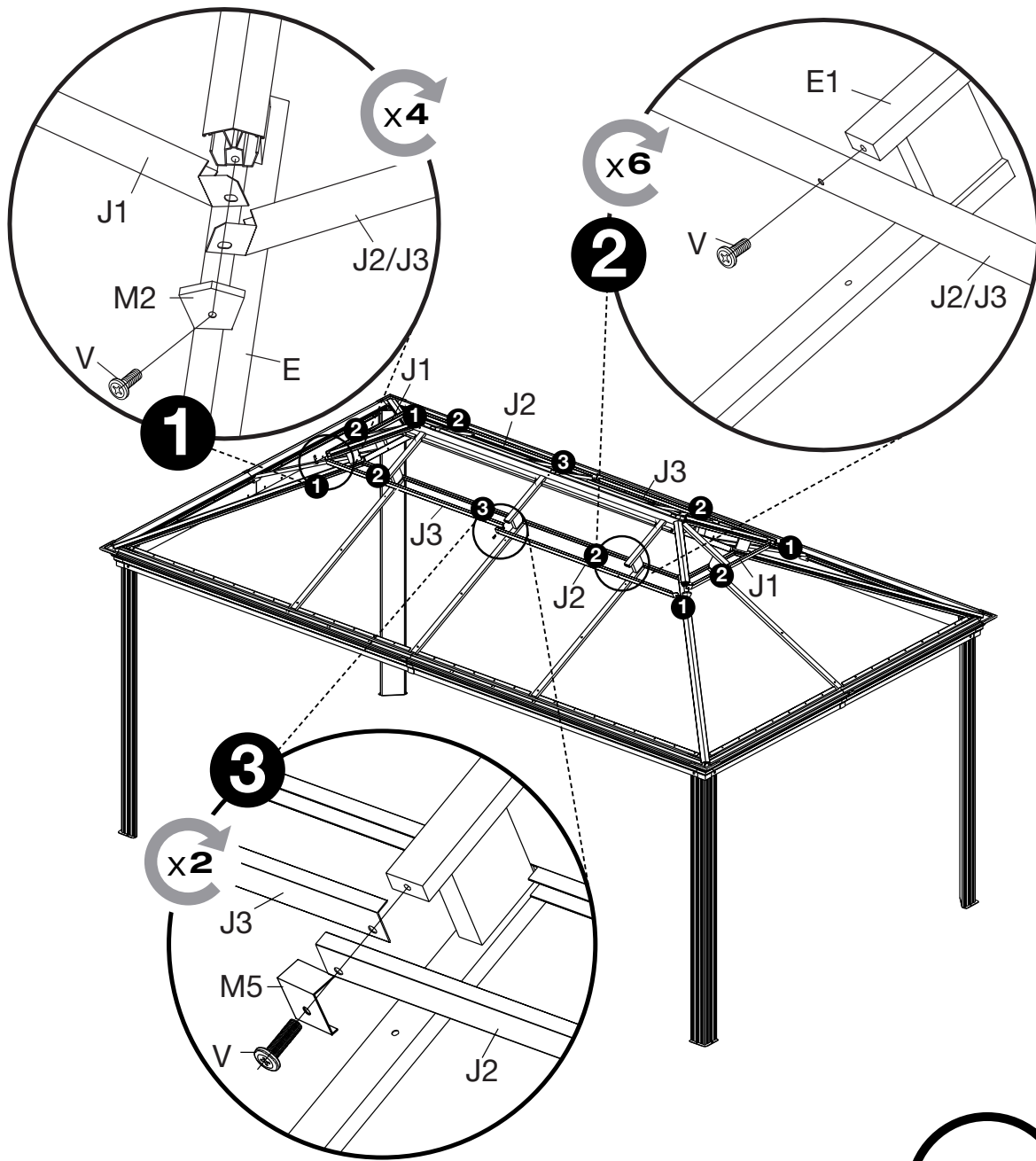


This section contains the materials and tools required for step 1. On the left, a screw is shown with a label 'V x4'. To the right, there are two circular icons: one showing two people with the text '2+' below them, and another showing a flathead screwdriver.





	R3 x2		R2 x2		M2 x4		V x12
	R4 x2						



J2x2

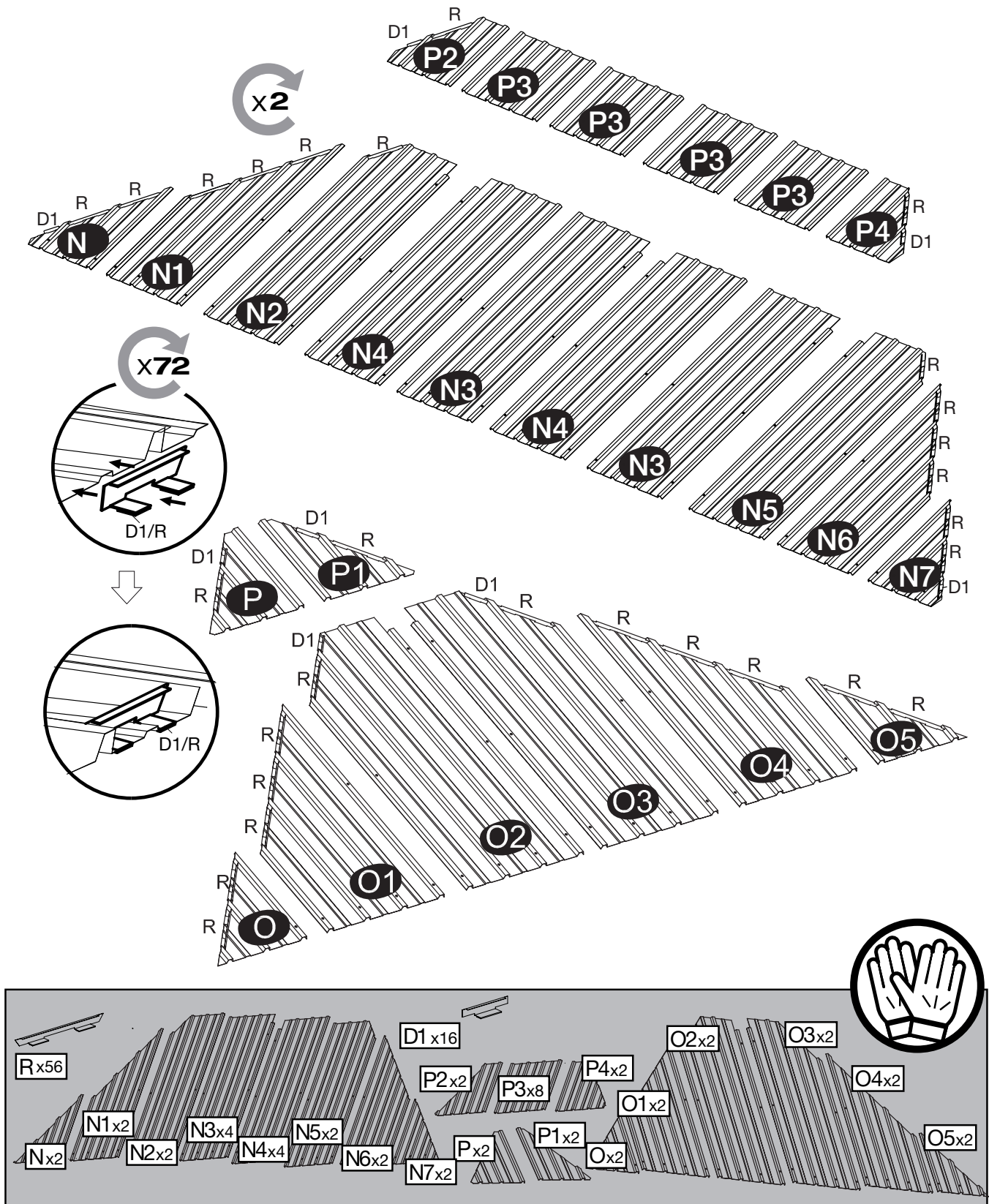
M2 x4

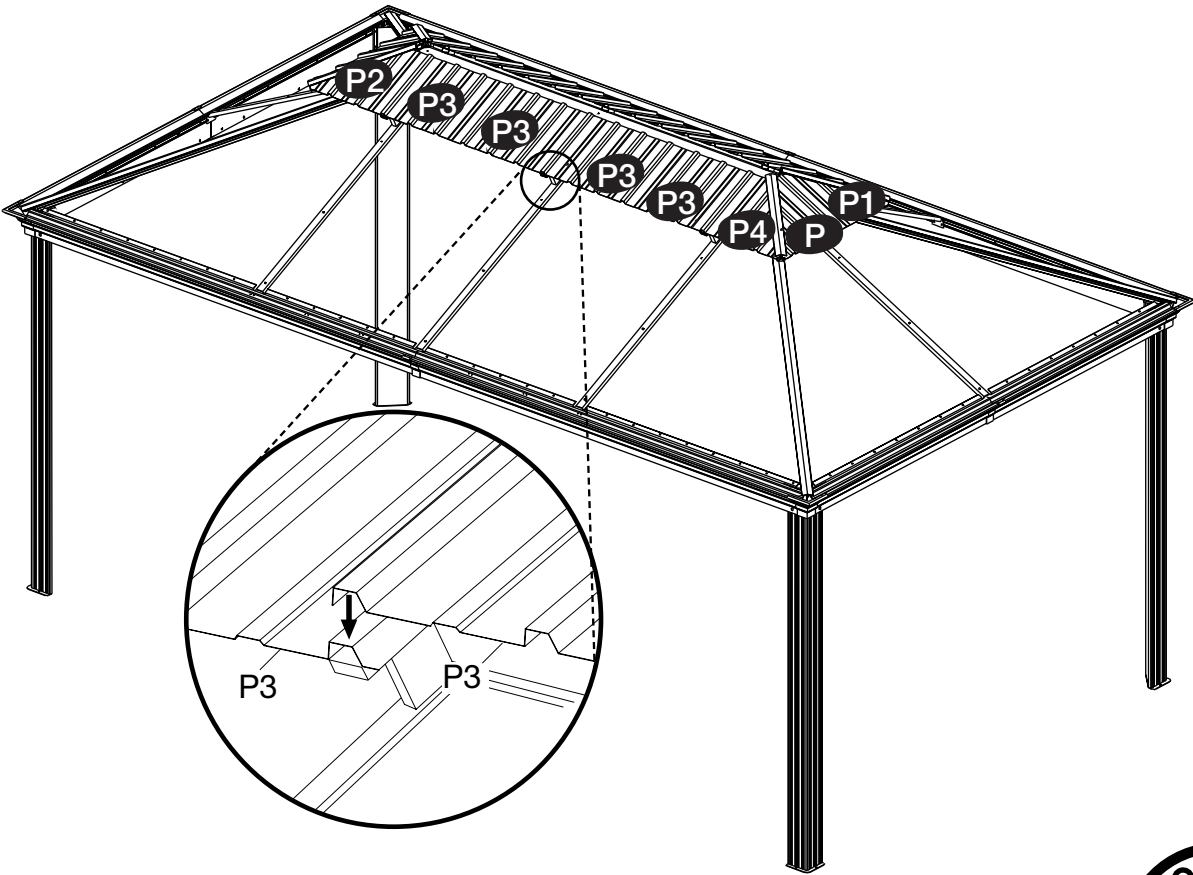
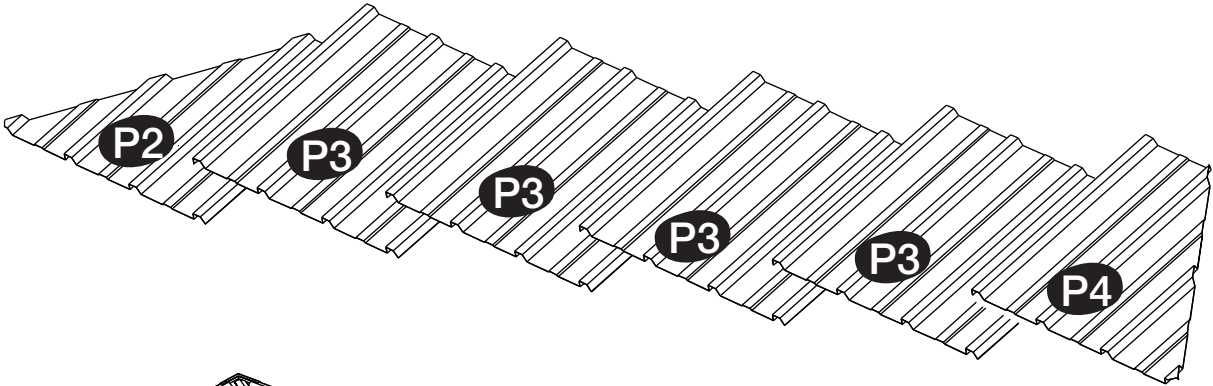
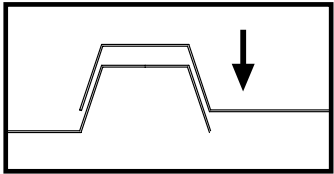
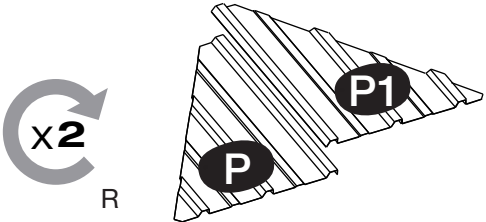
M5 x2

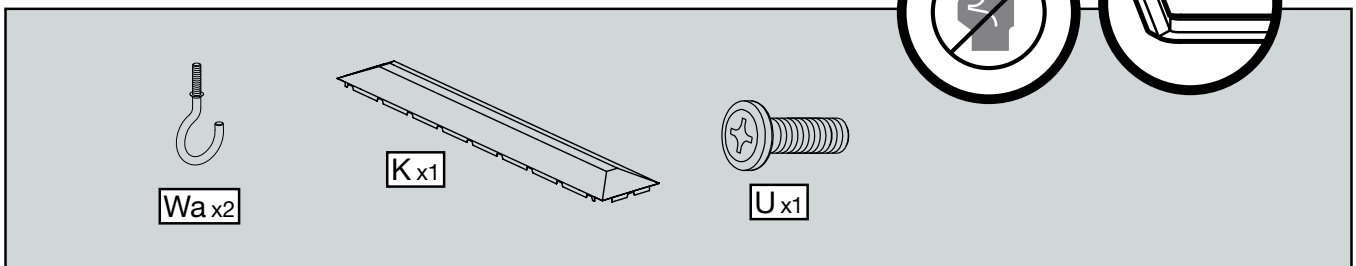
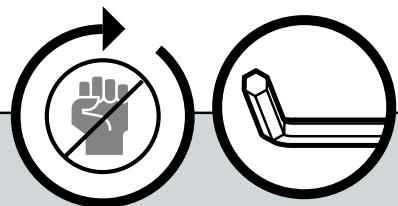
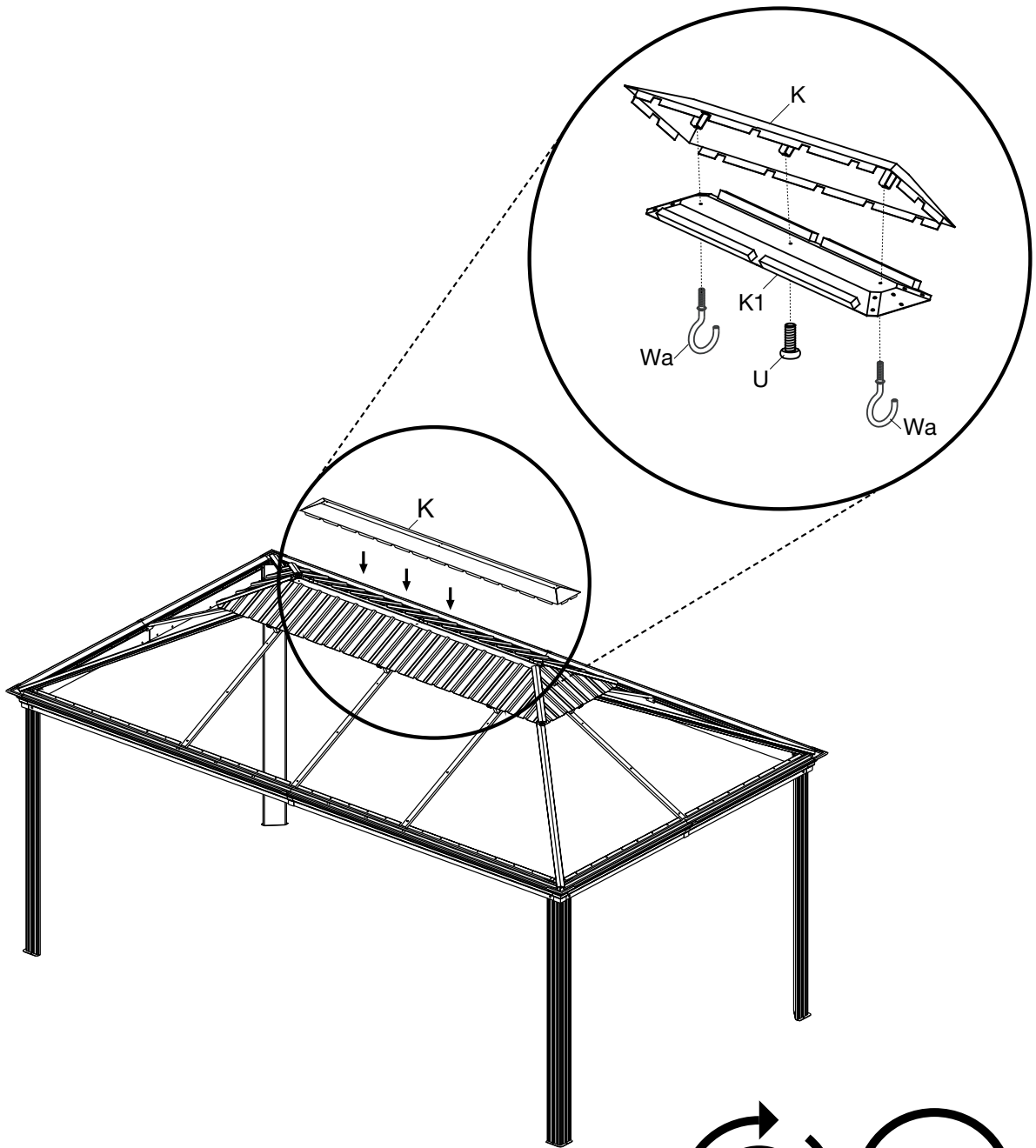
J3x2

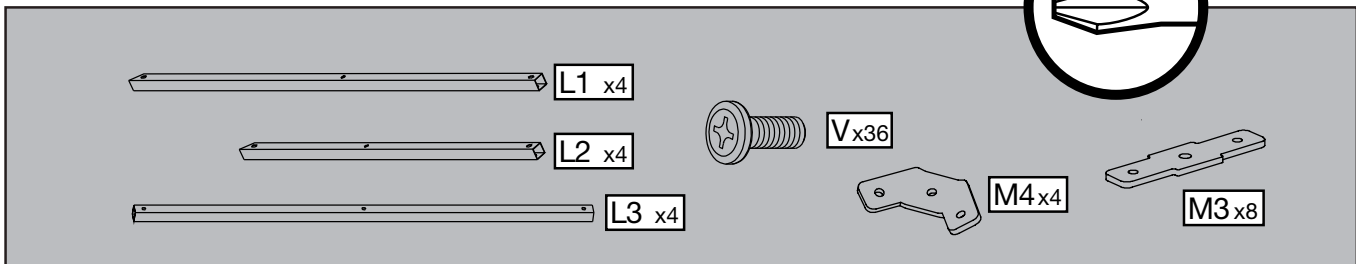
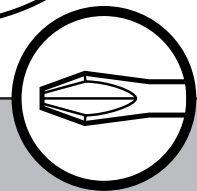
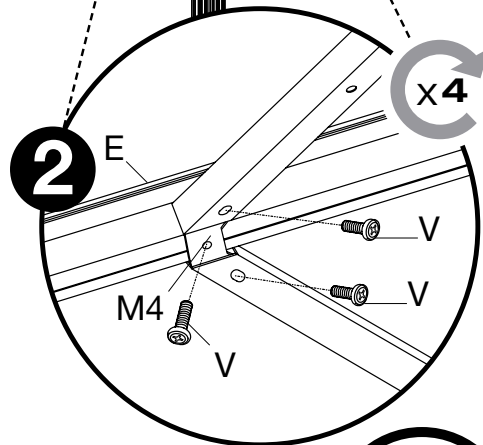
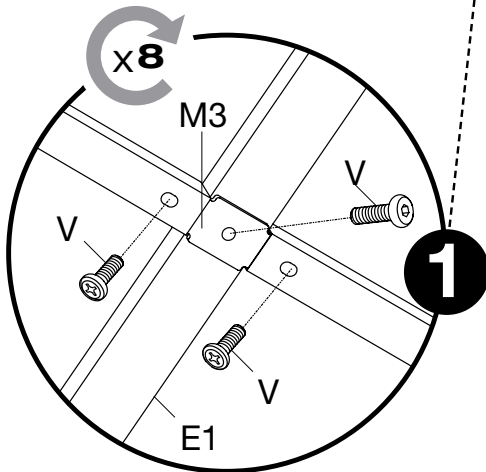
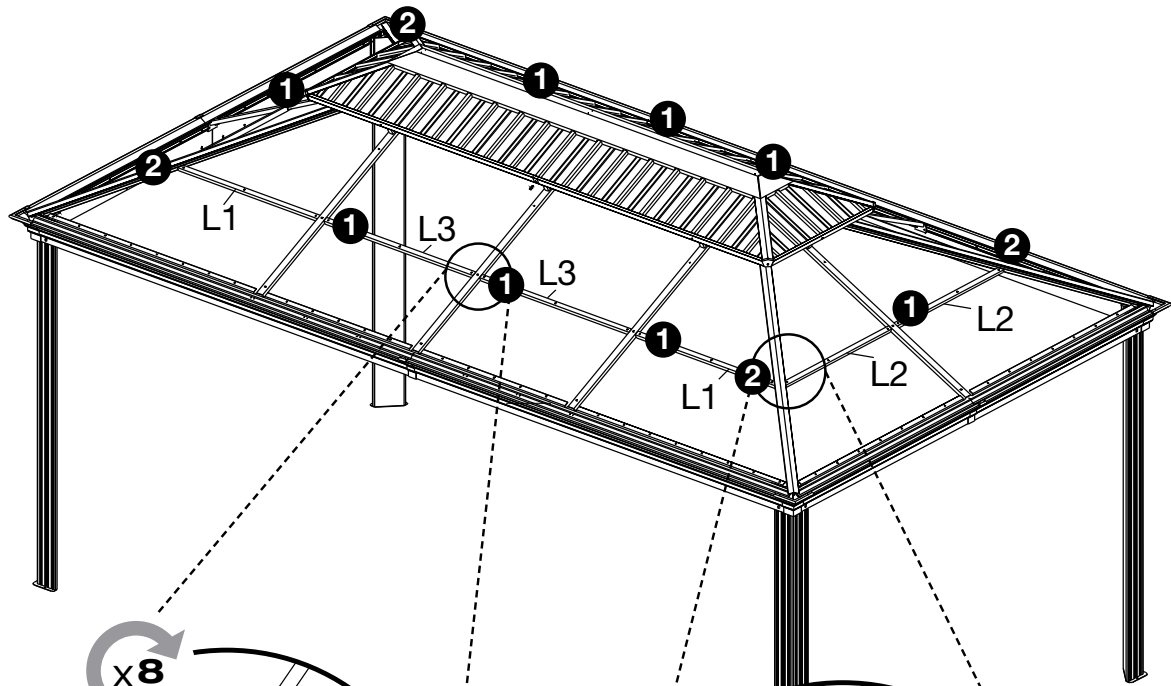
J1x2

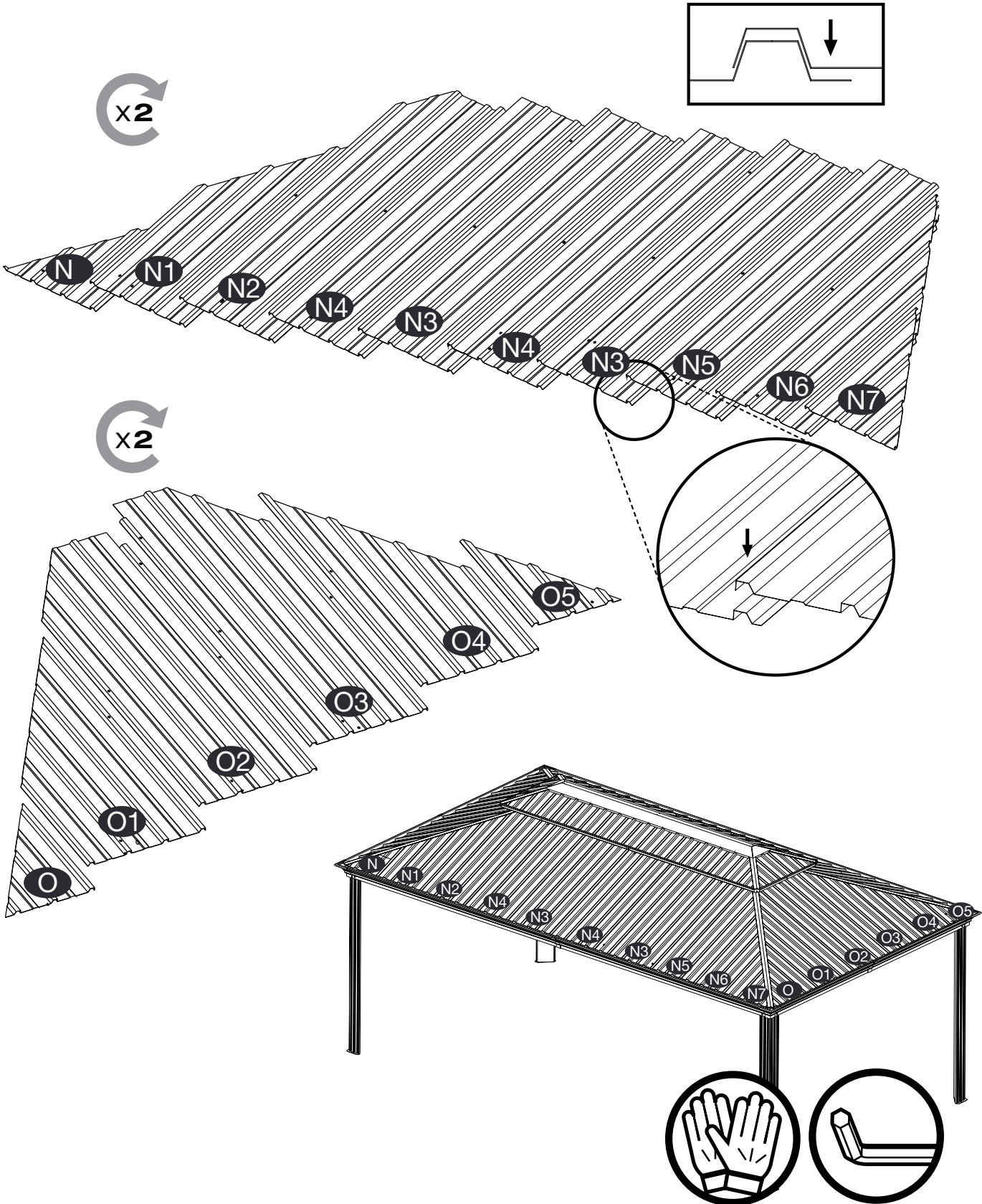
Vx12

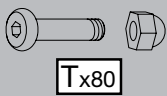
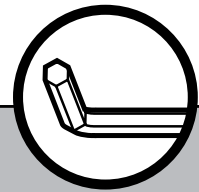
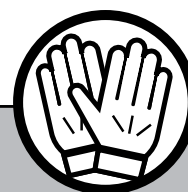
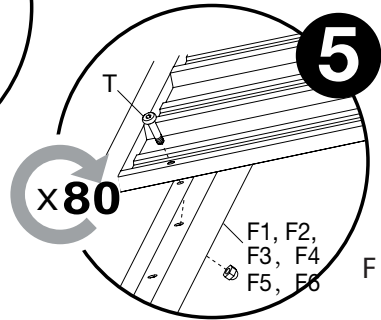
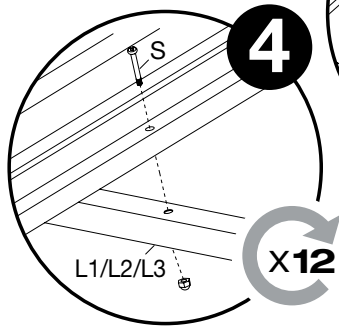
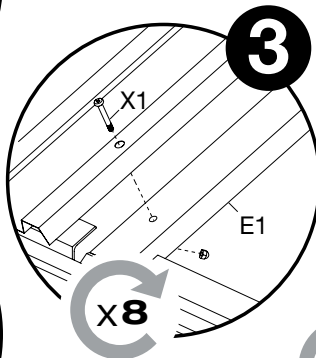
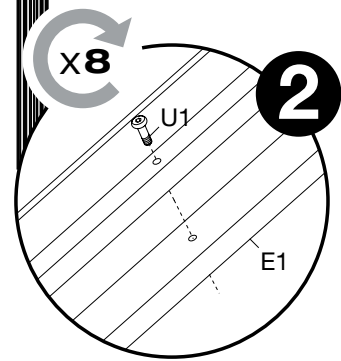
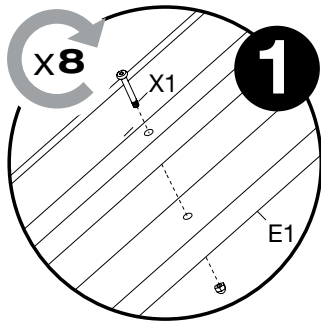
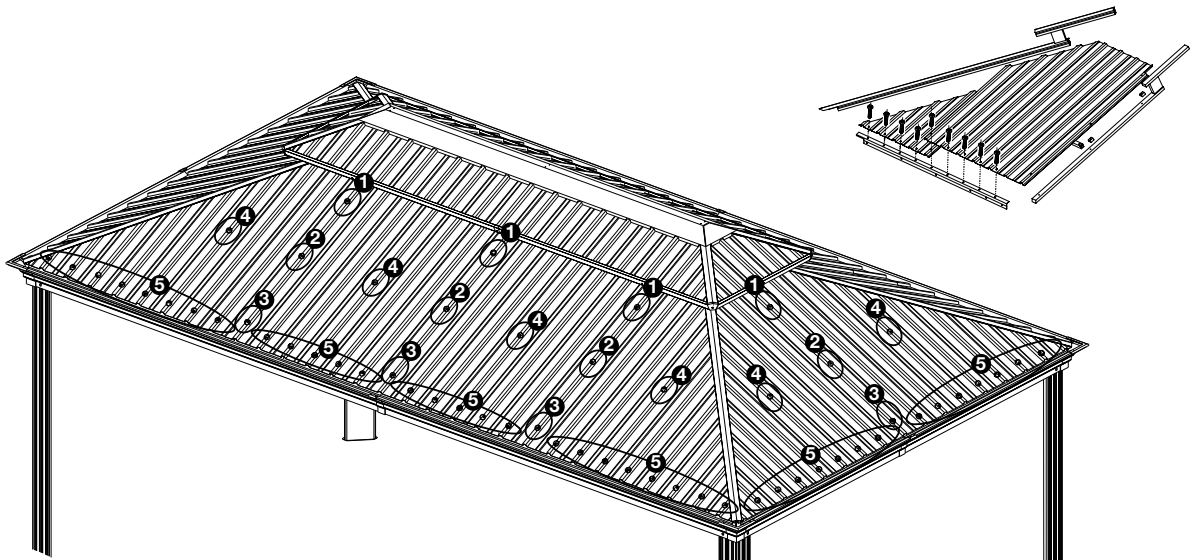




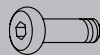




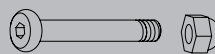




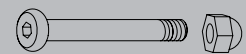
Tx80



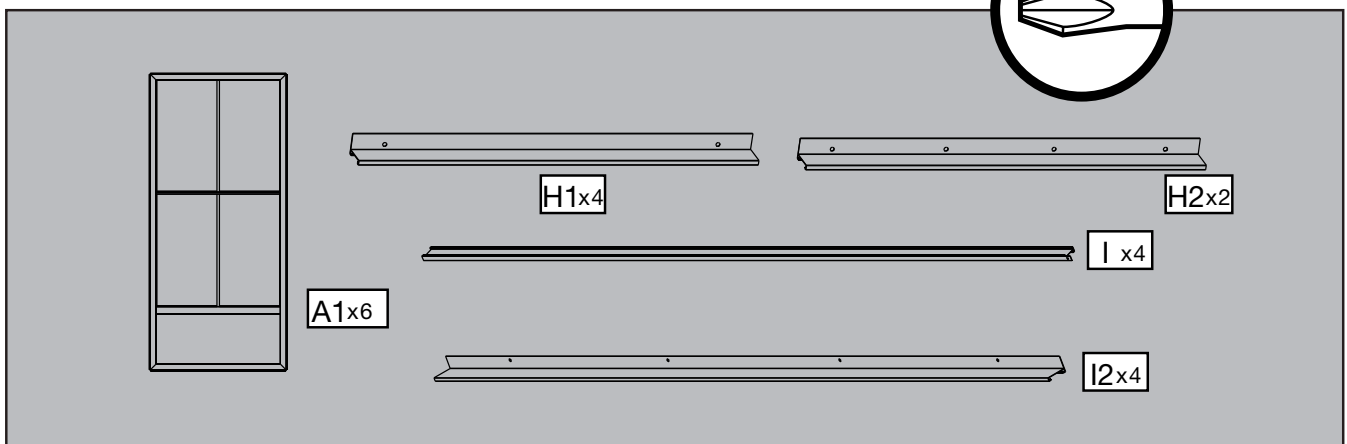
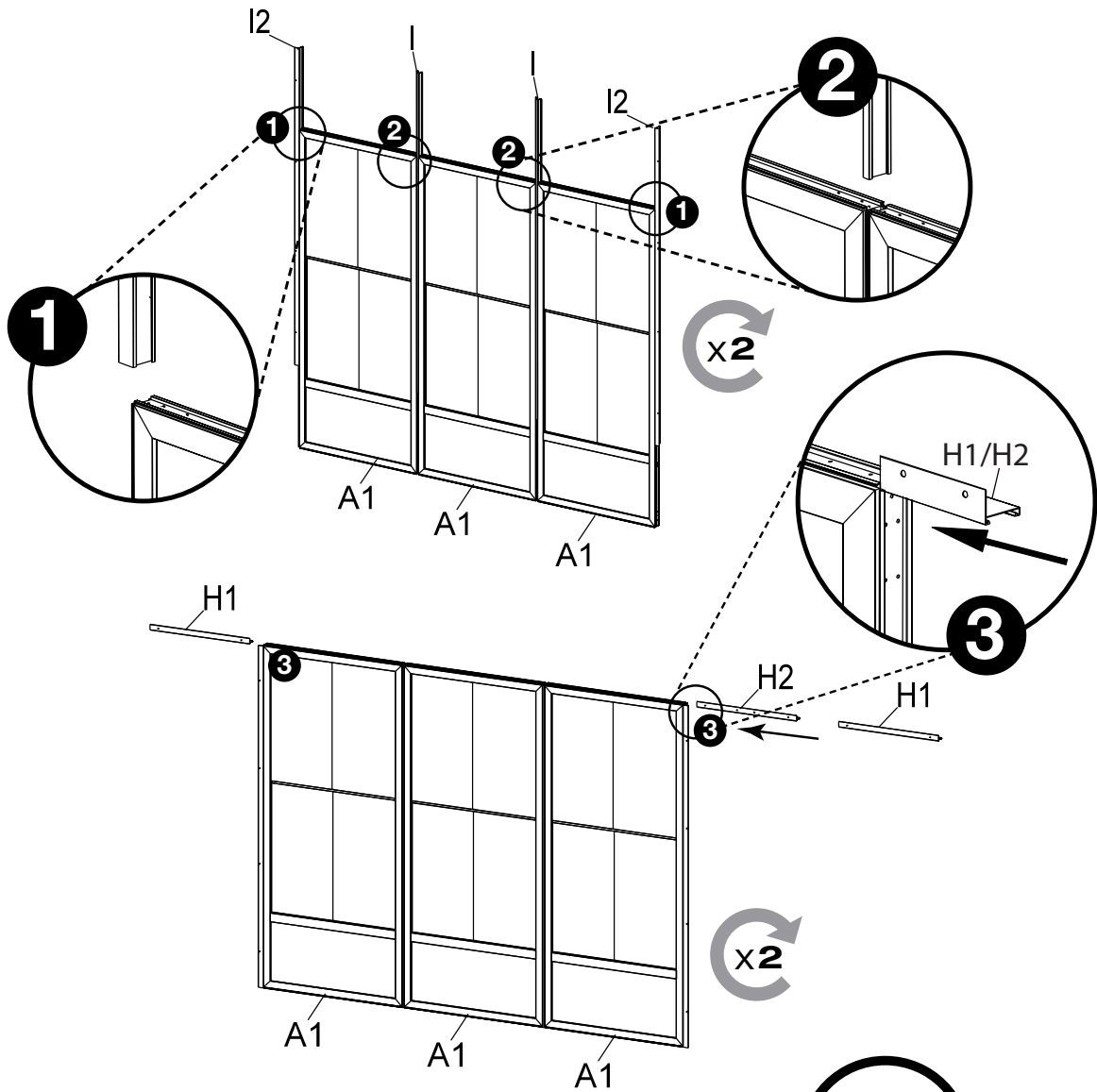
U1x8

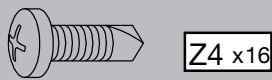
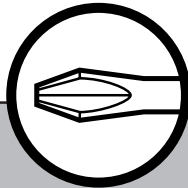
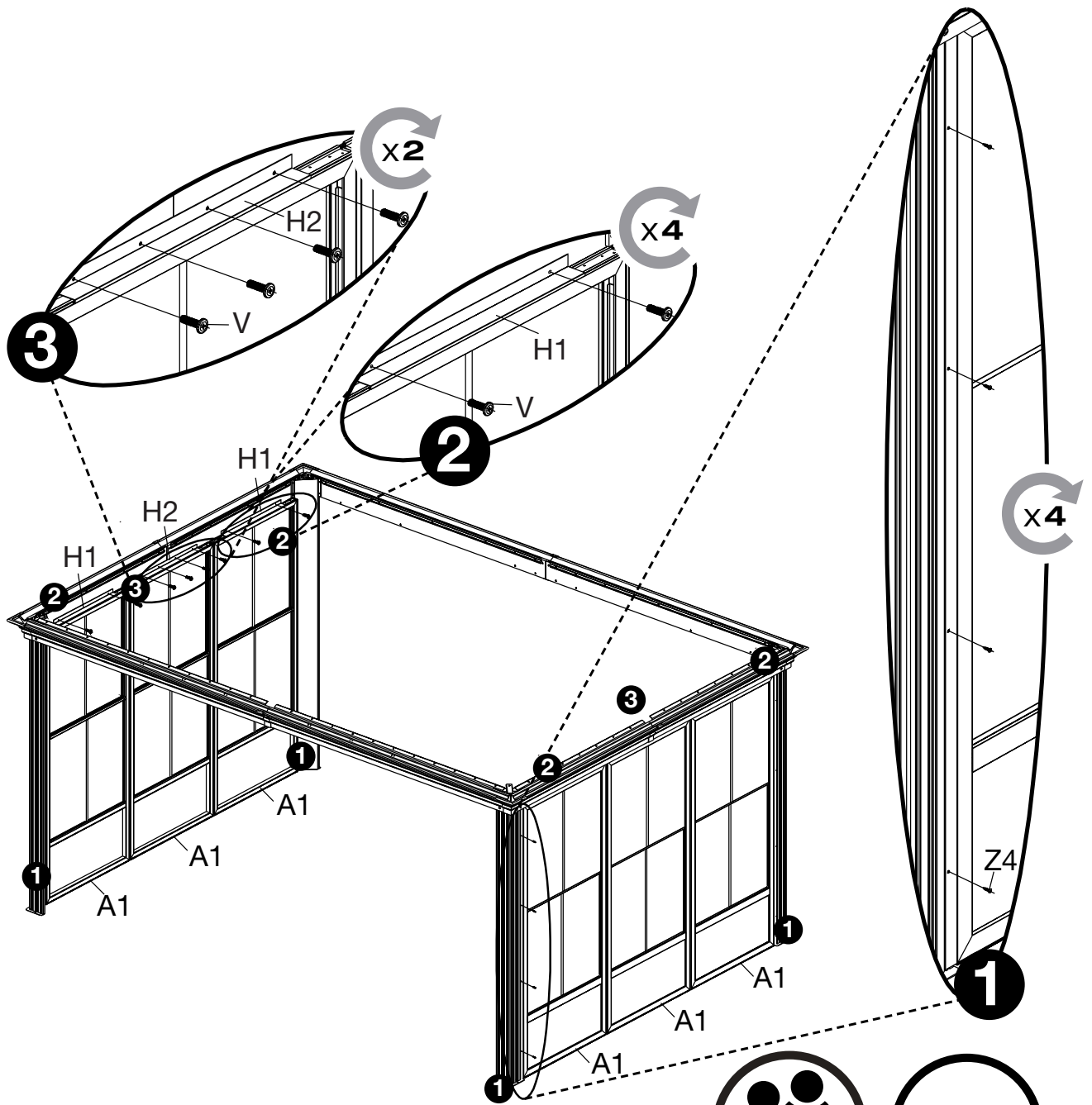


X1x16

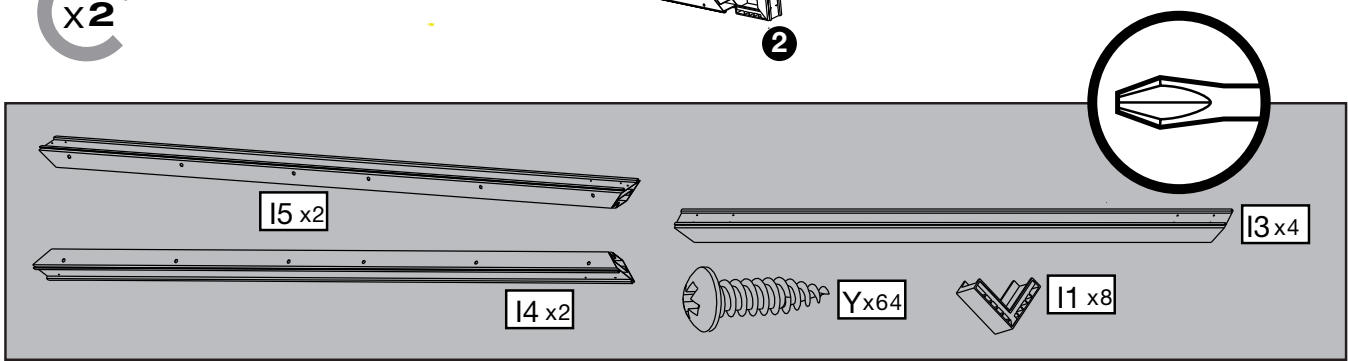
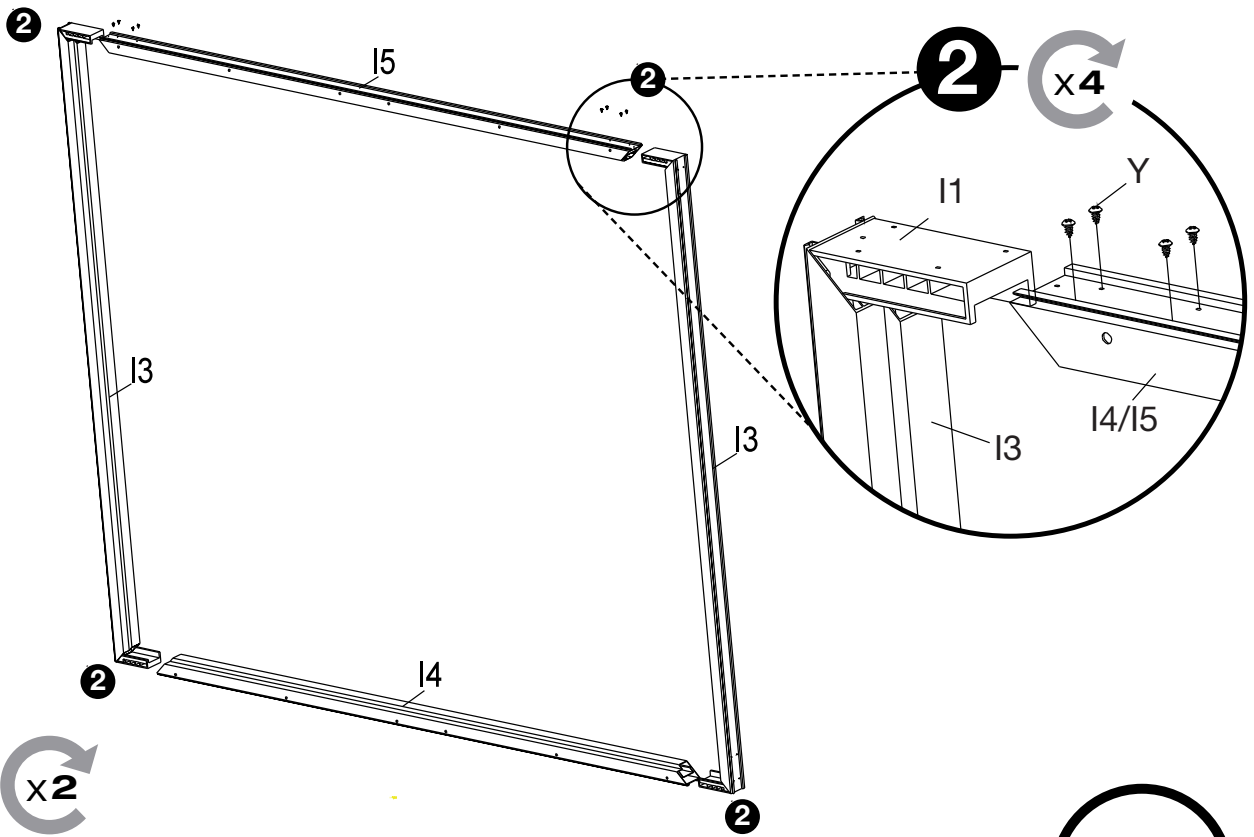
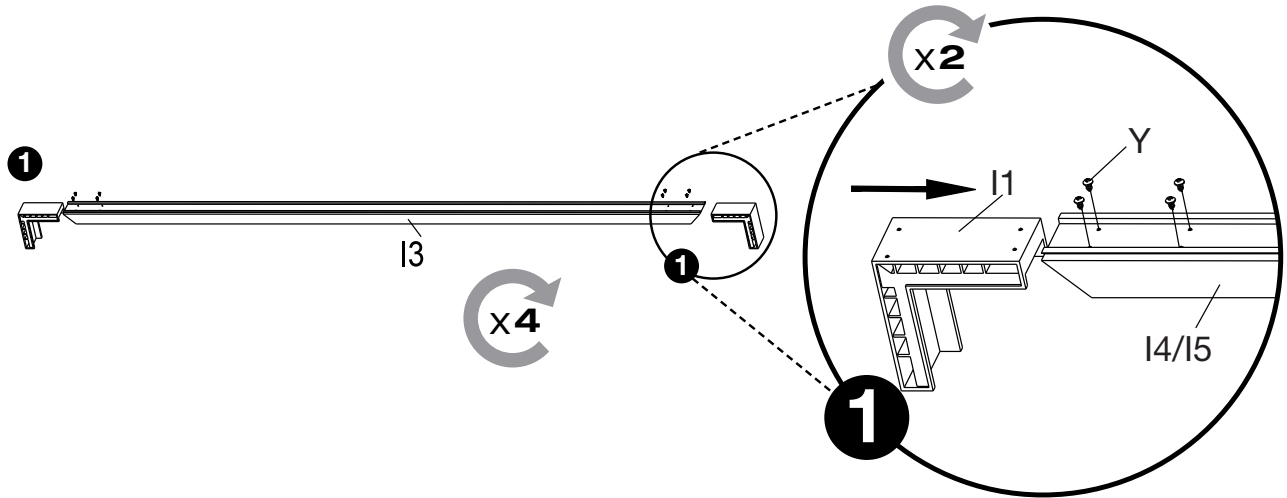


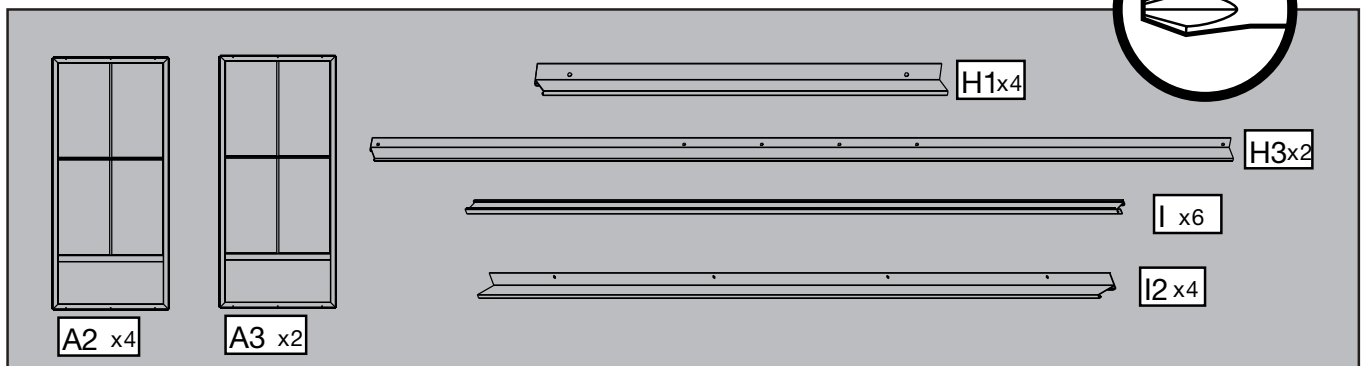
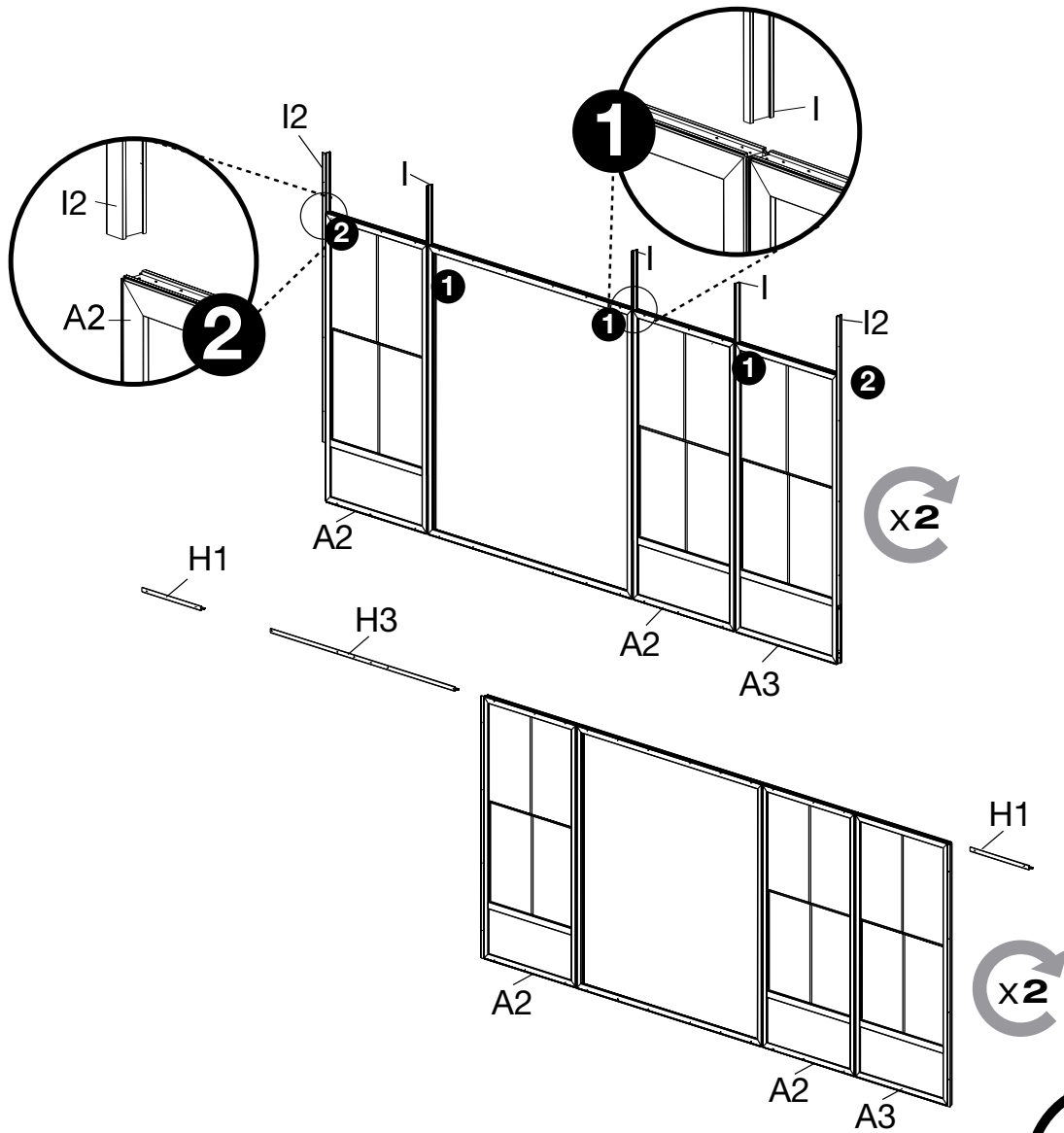
Sx12

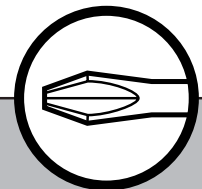
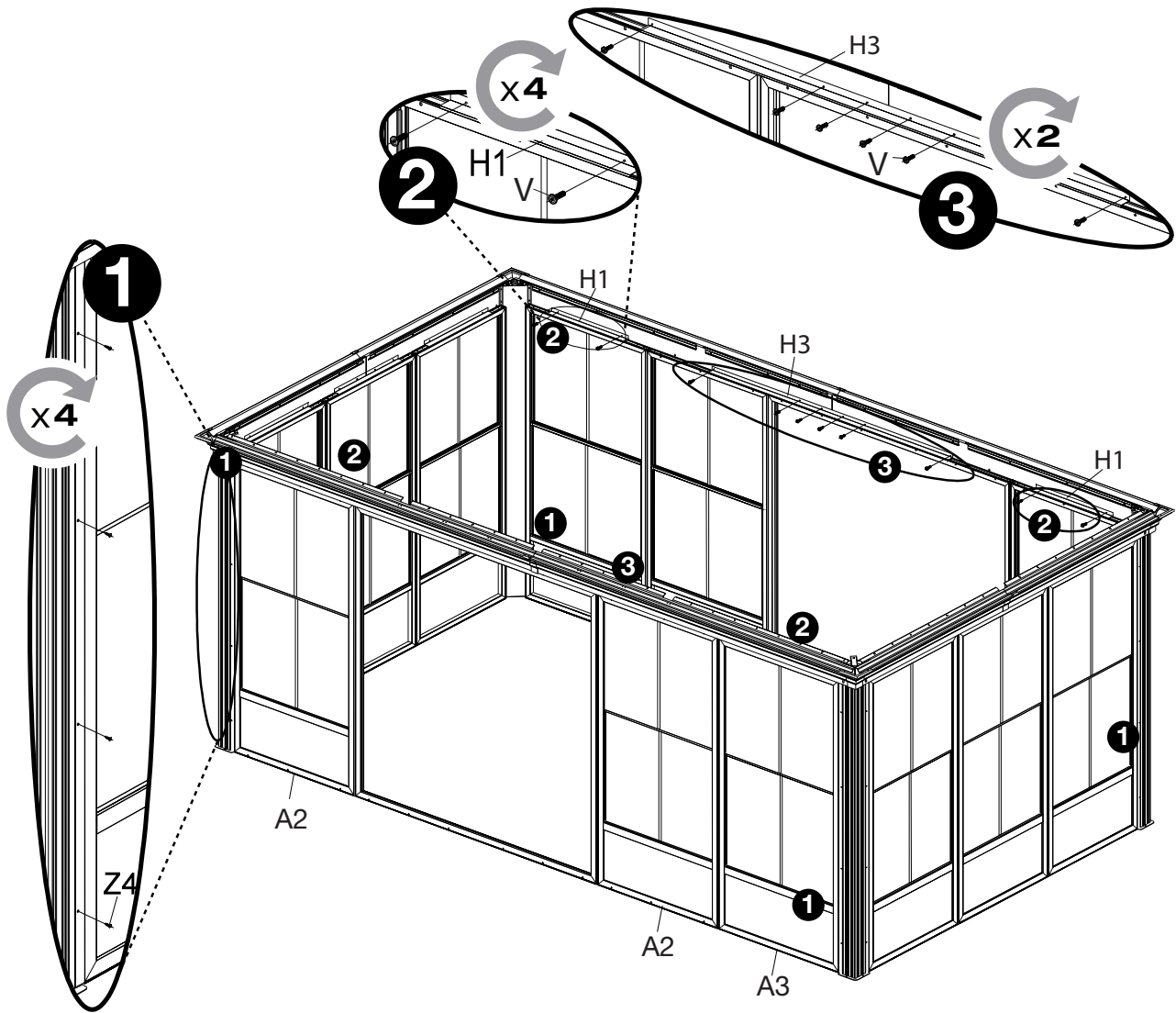


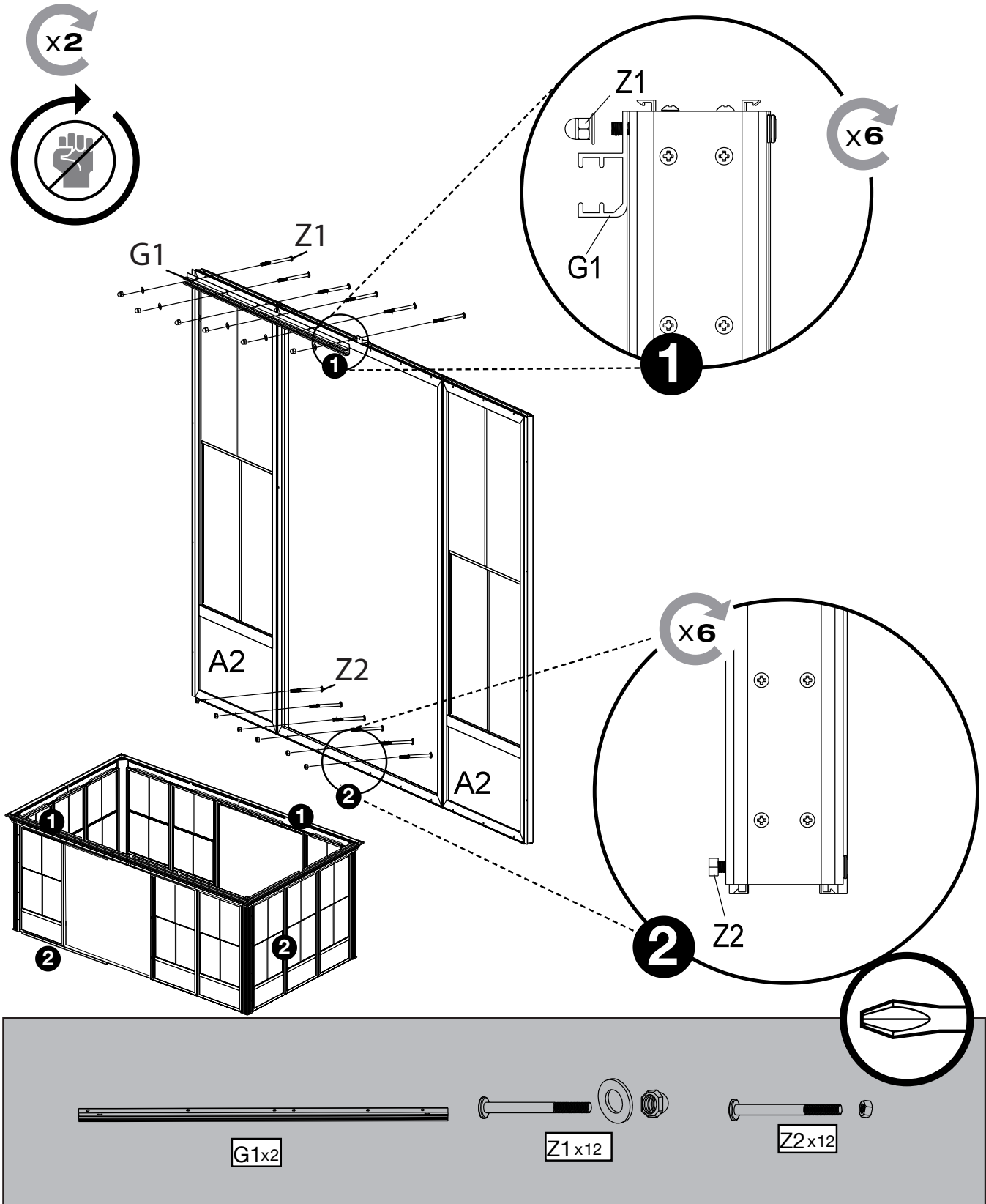


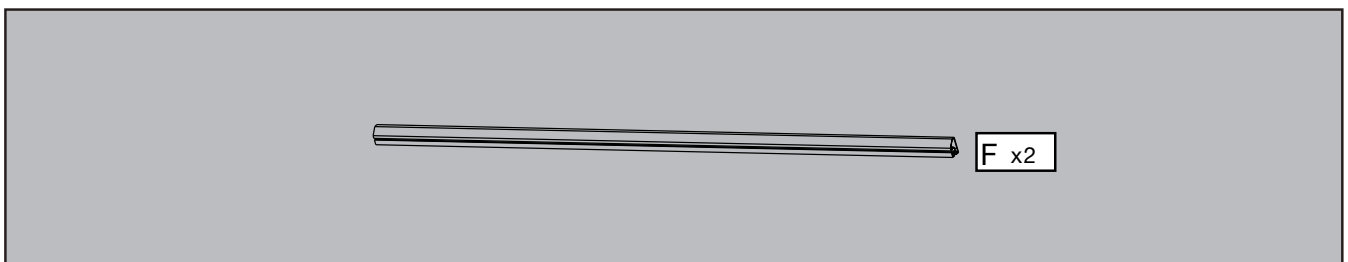
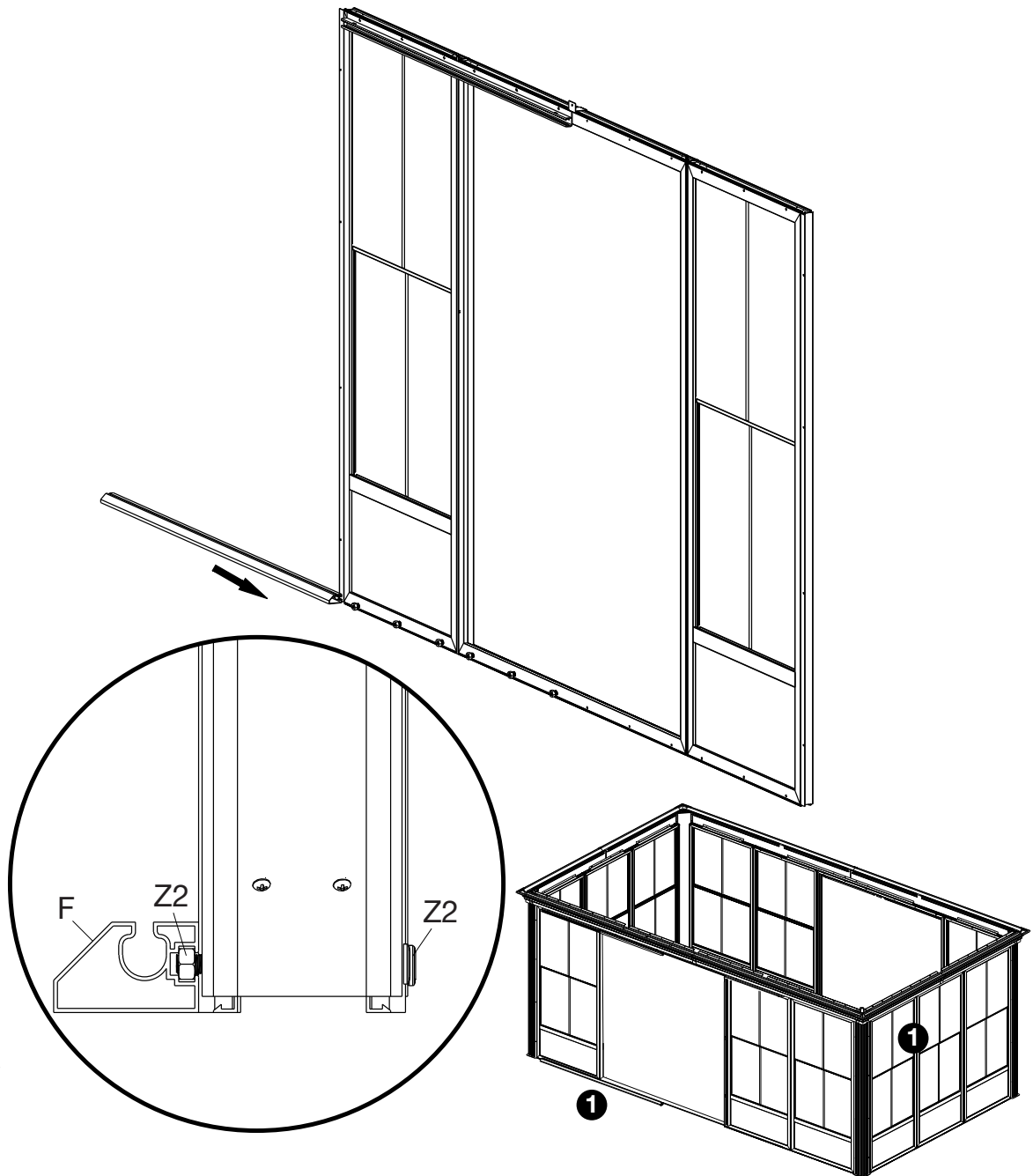
Z4 x16

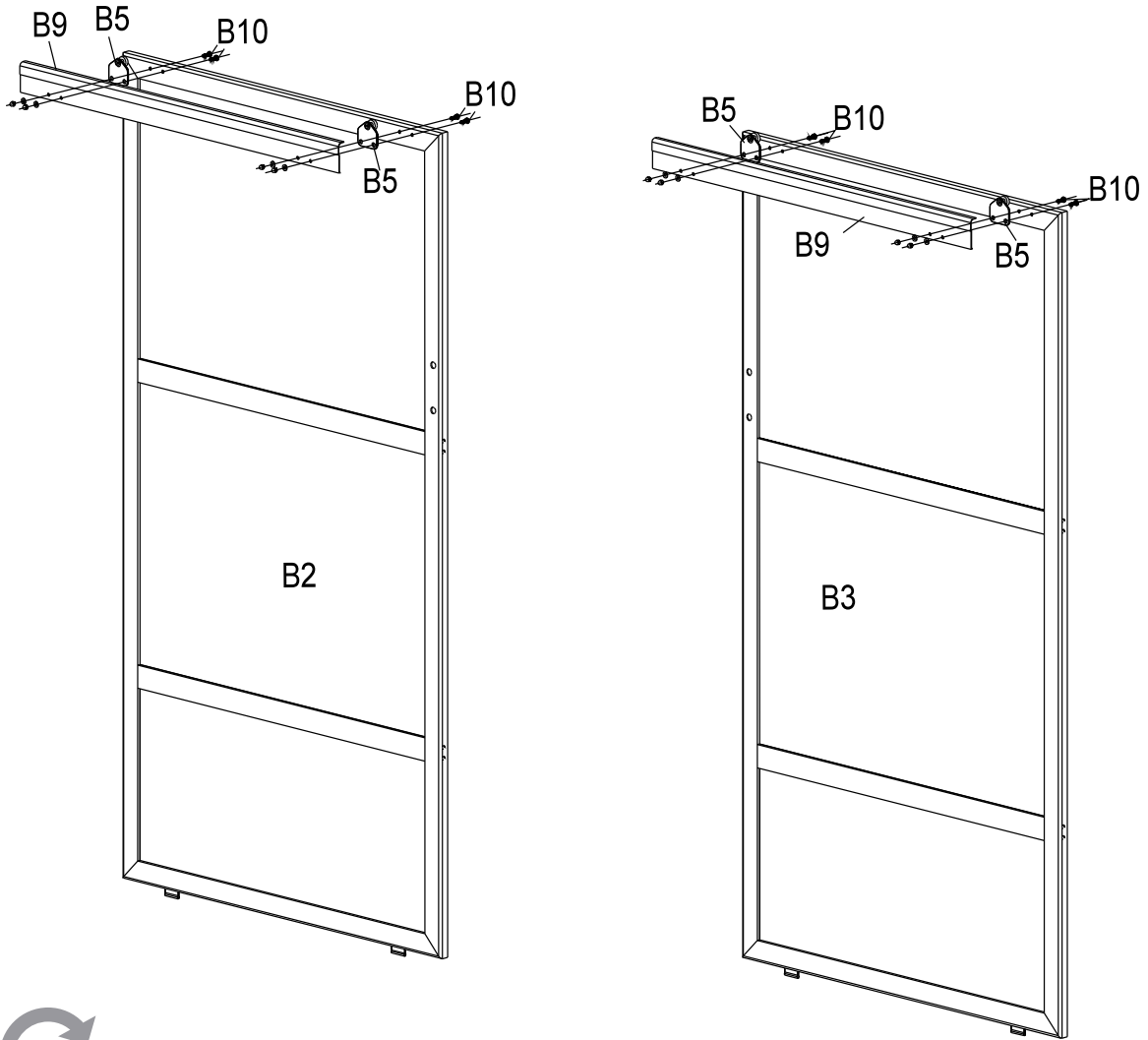




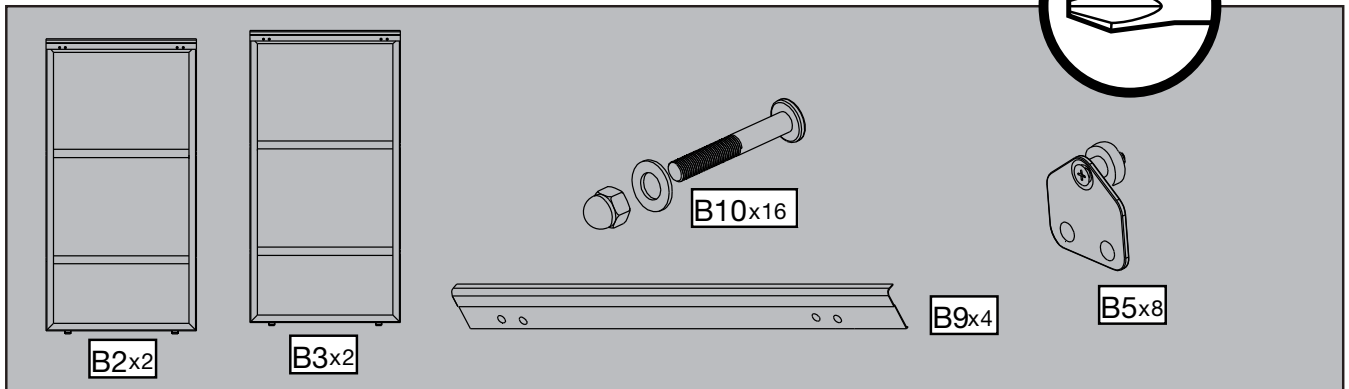


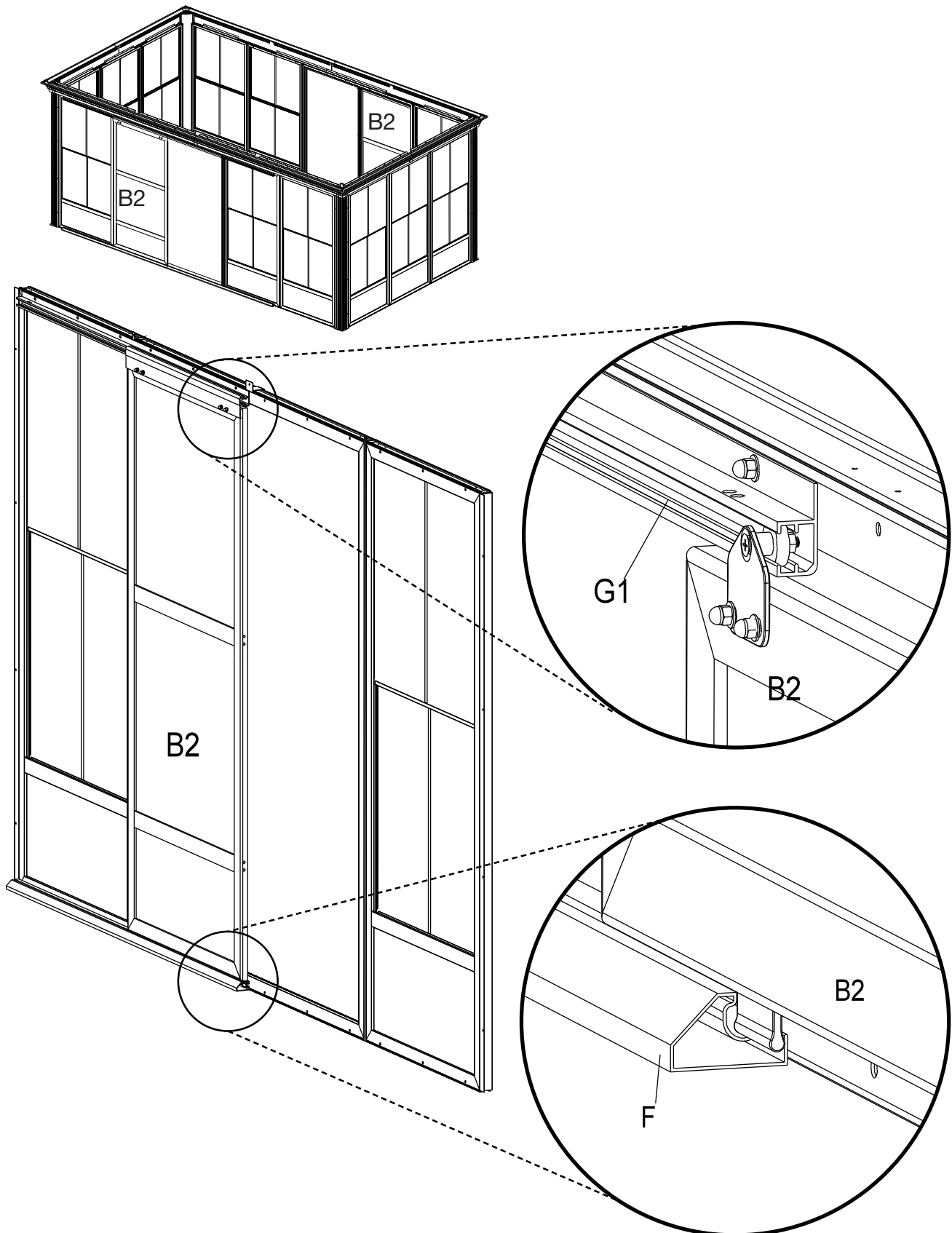


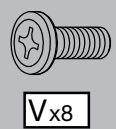
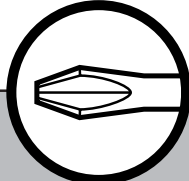
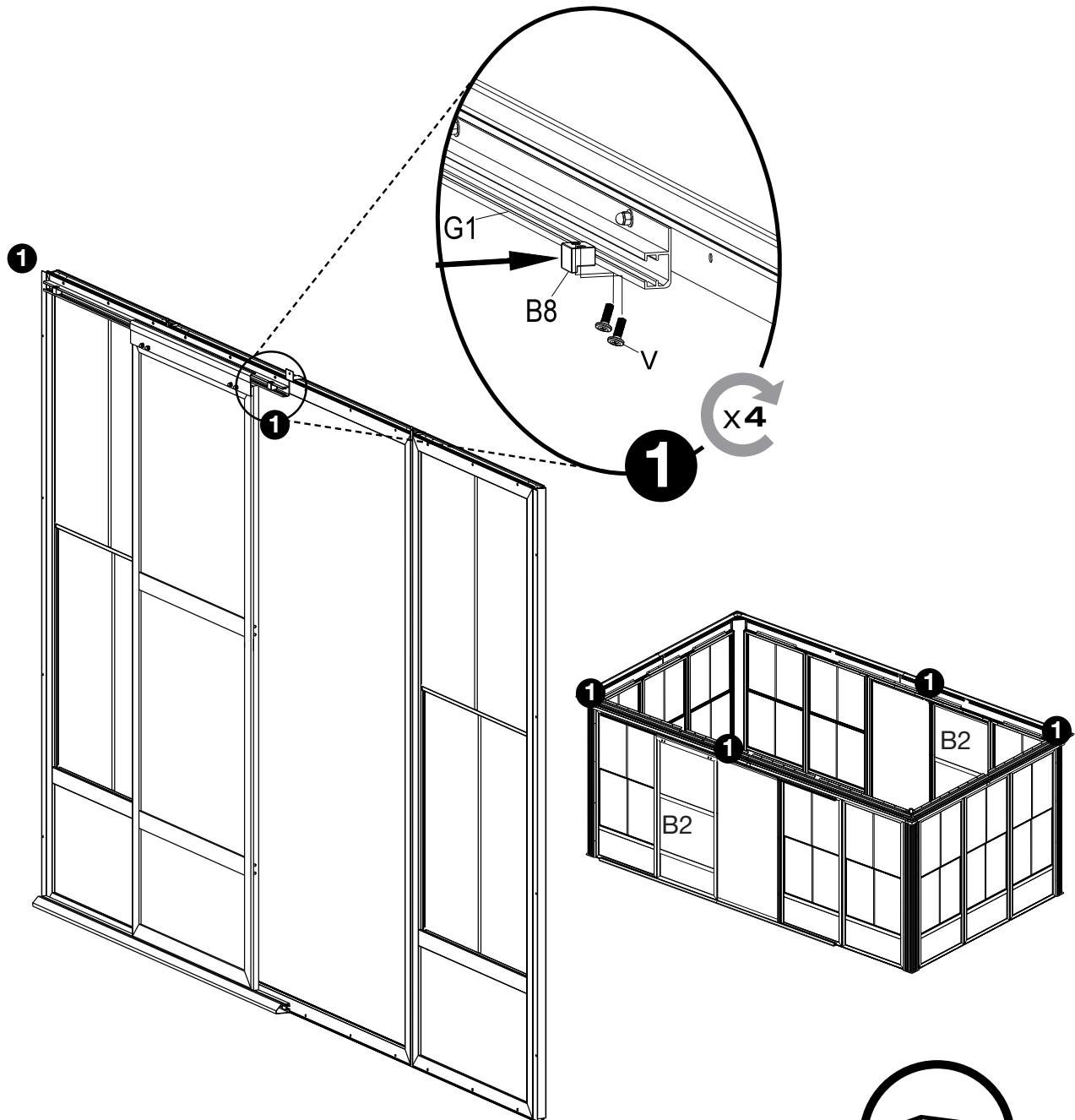


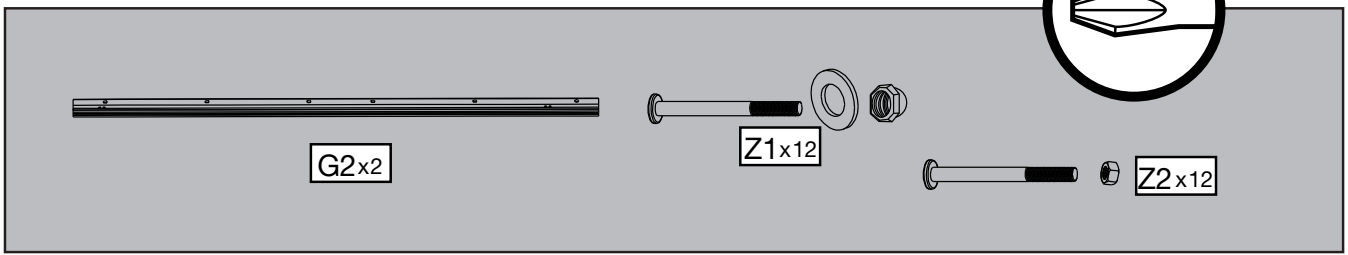
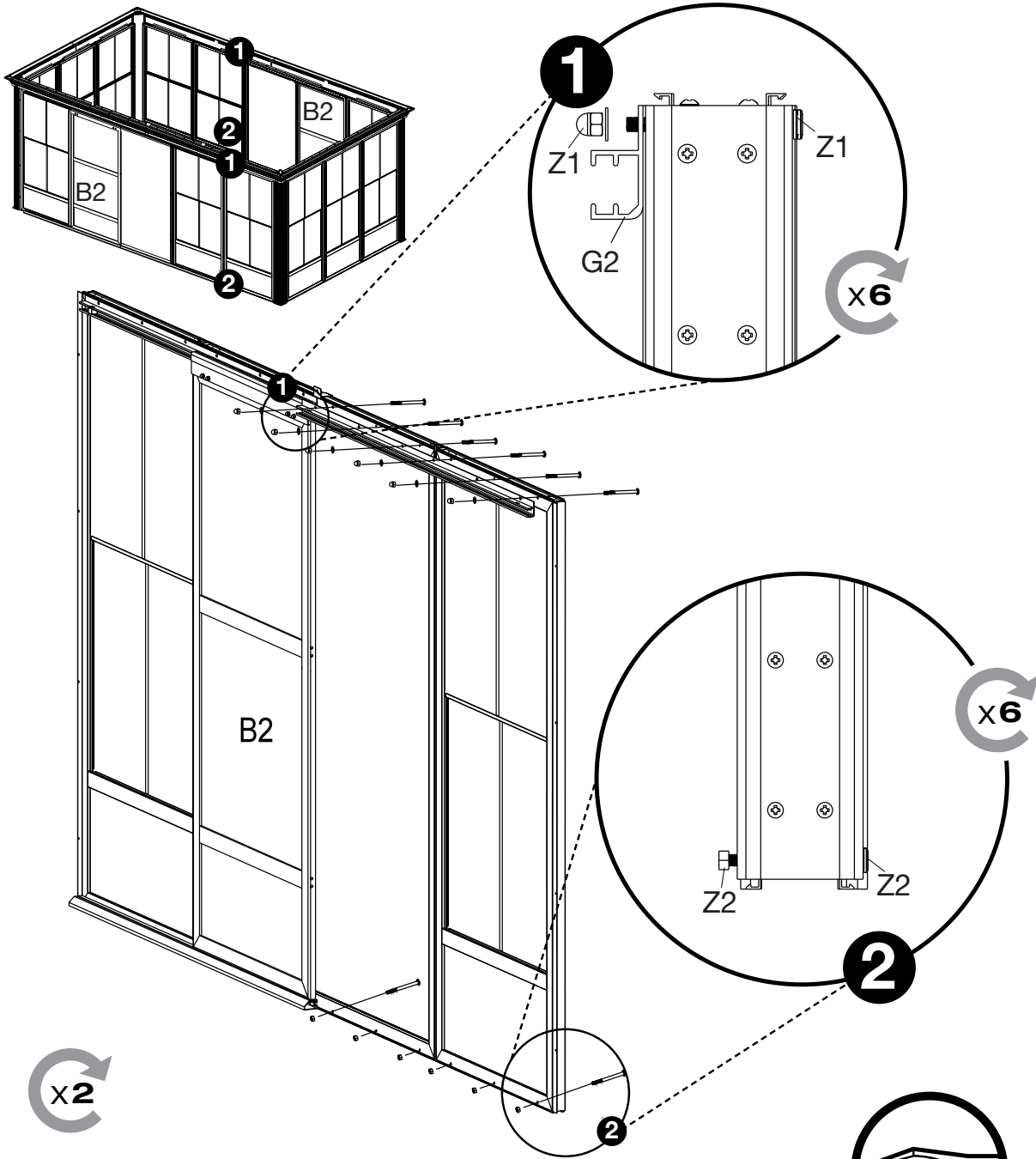


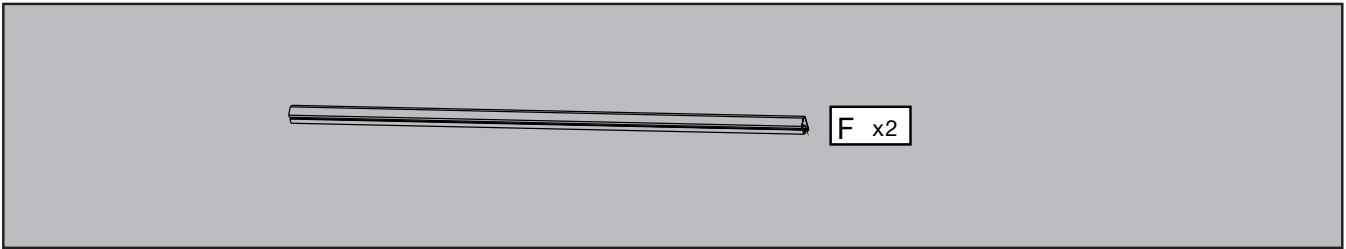
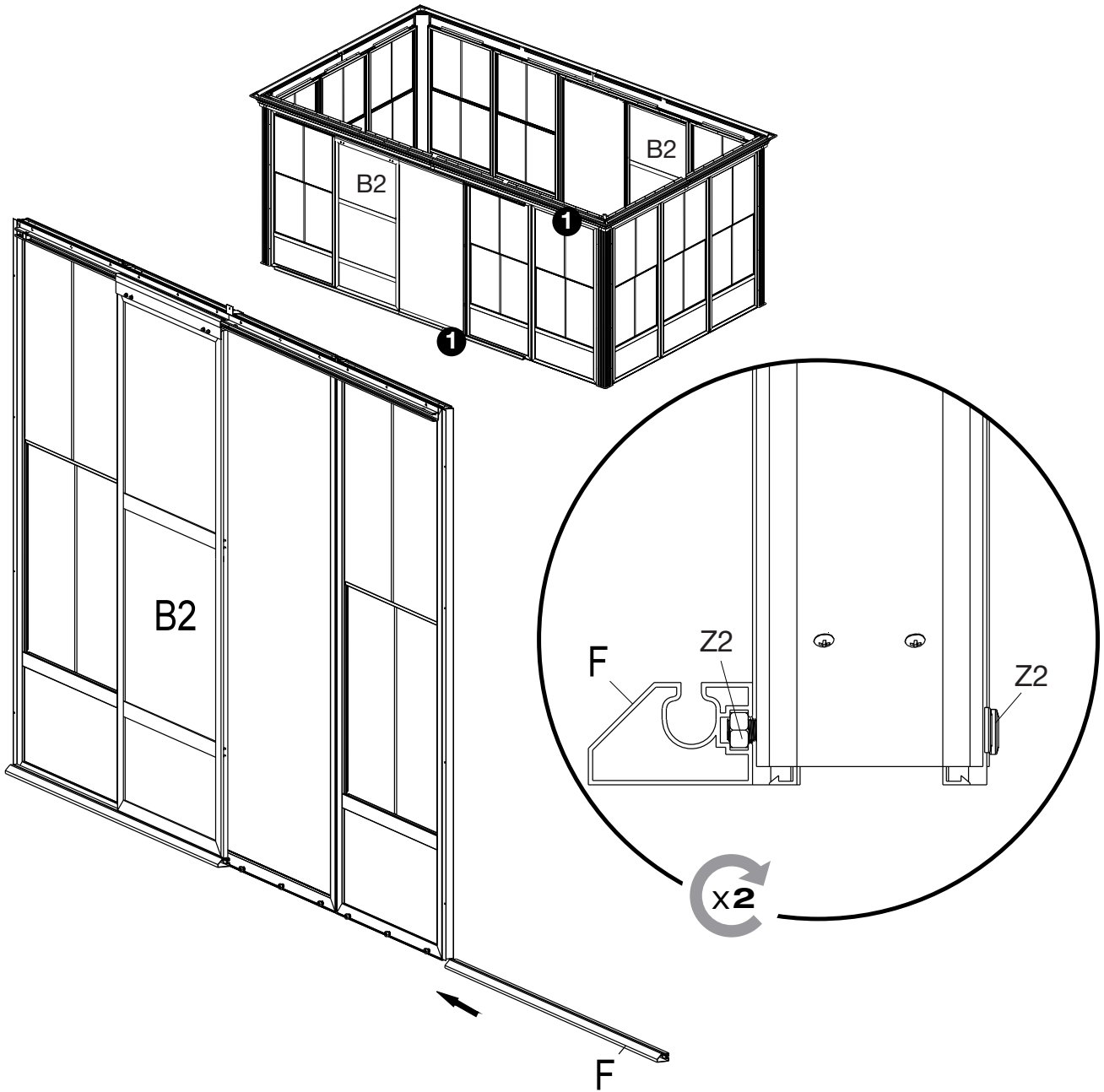
x2

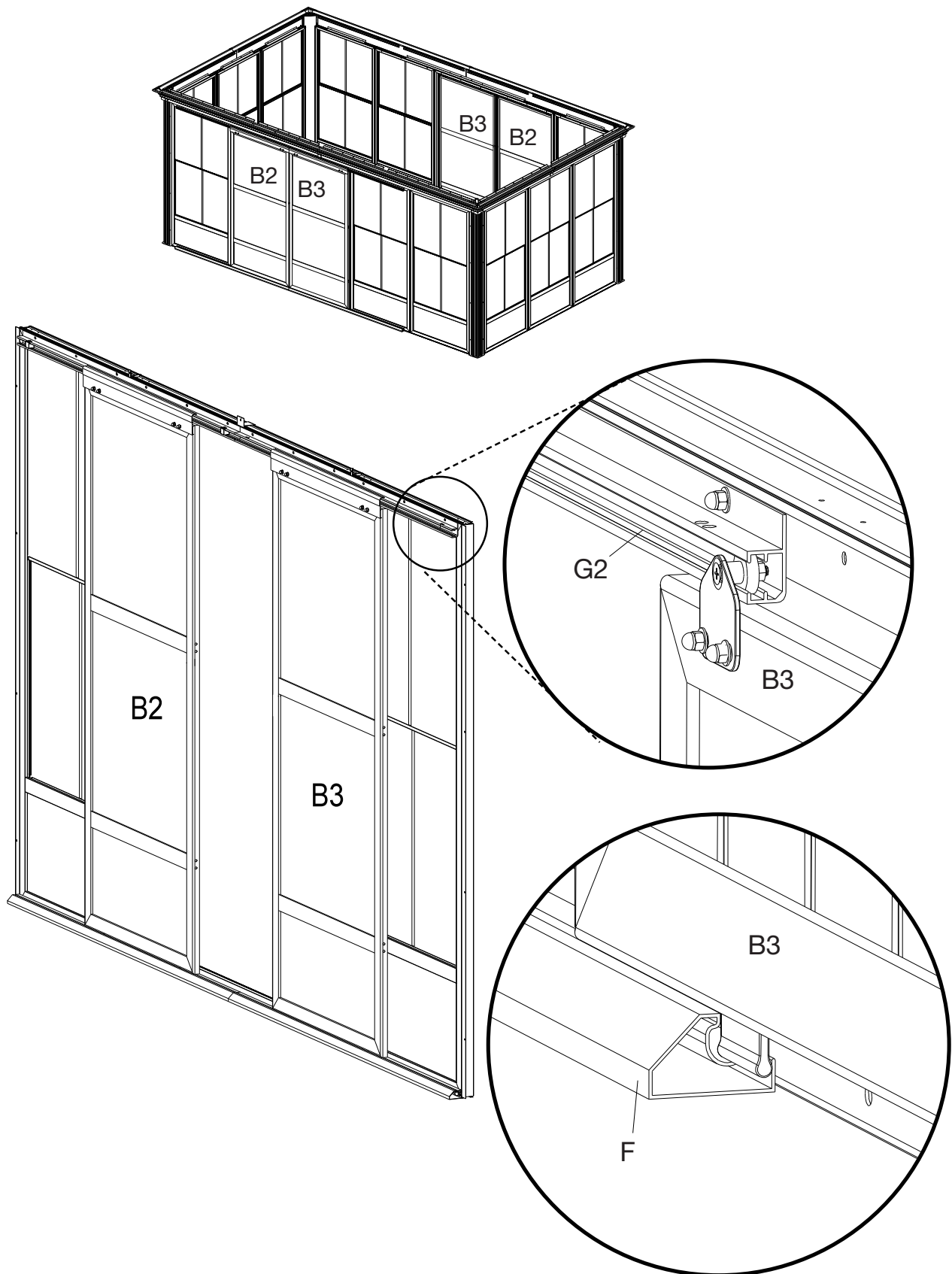


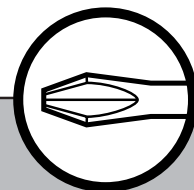
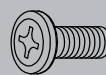
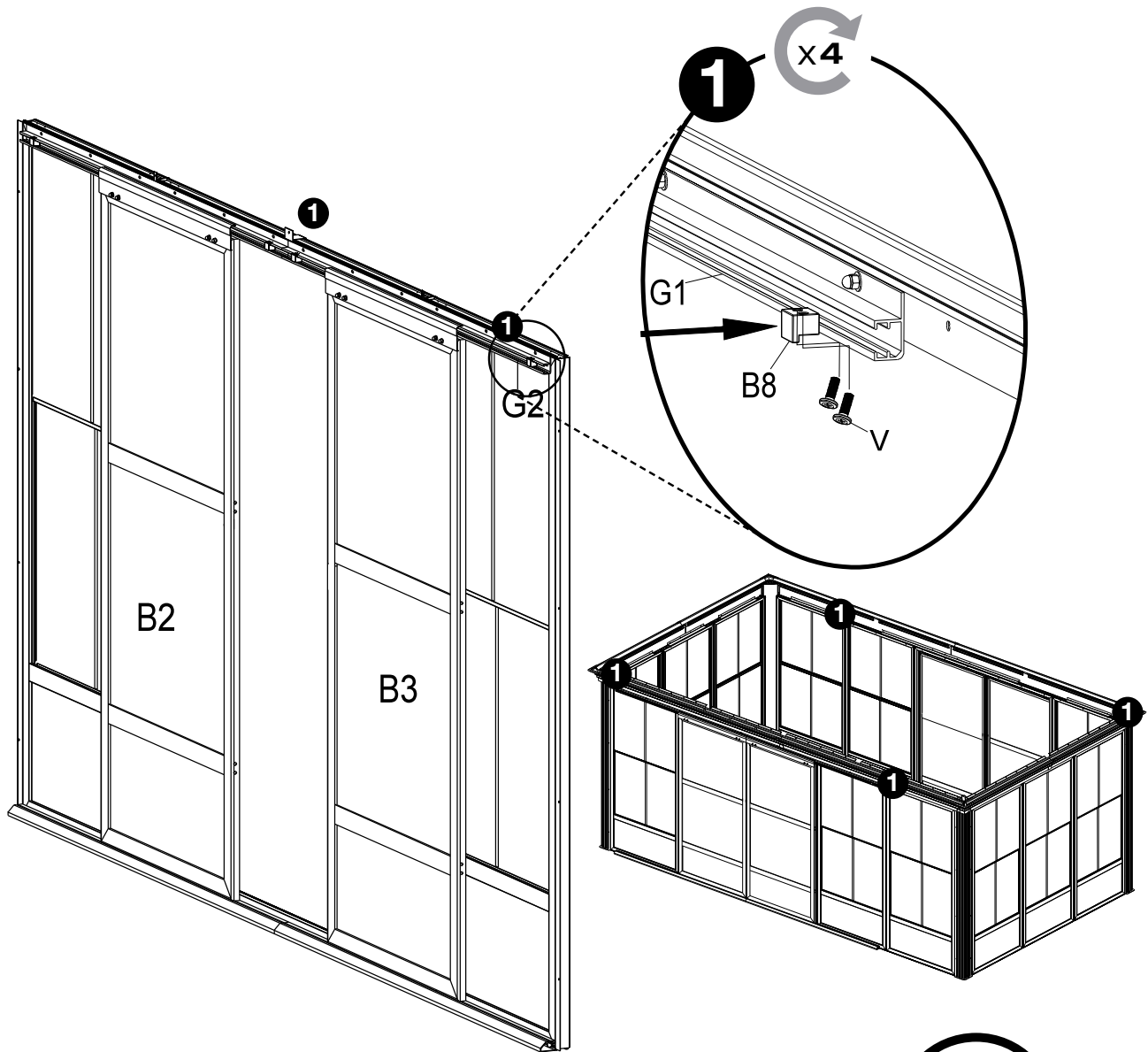


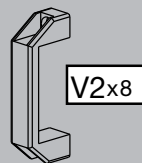
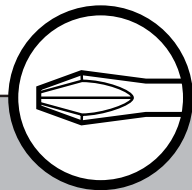
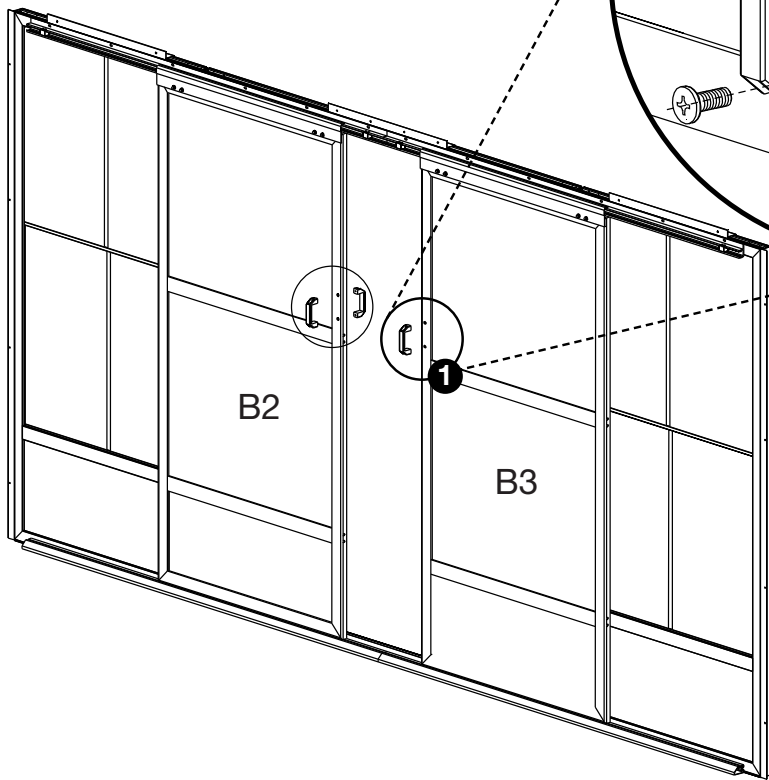
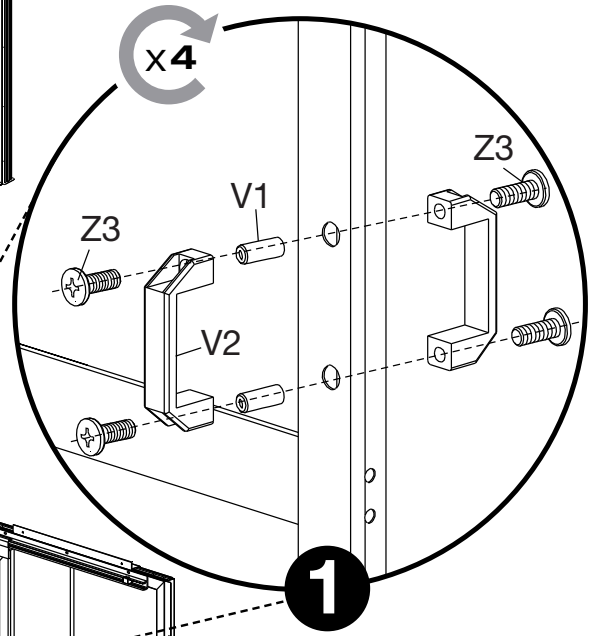
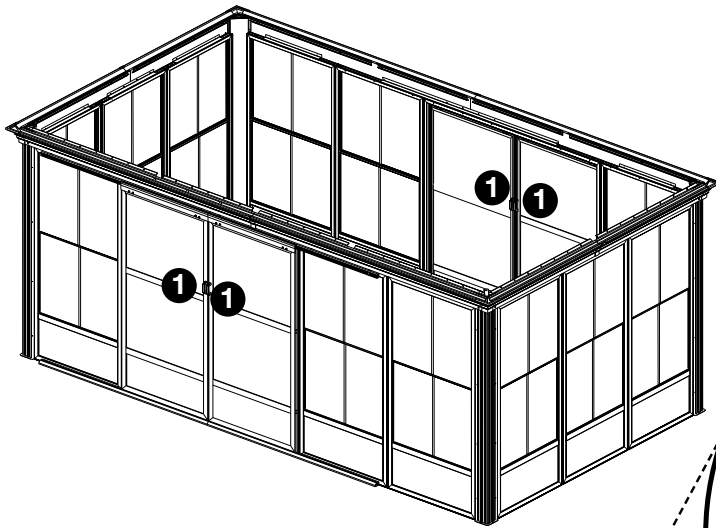


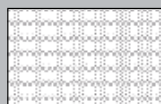
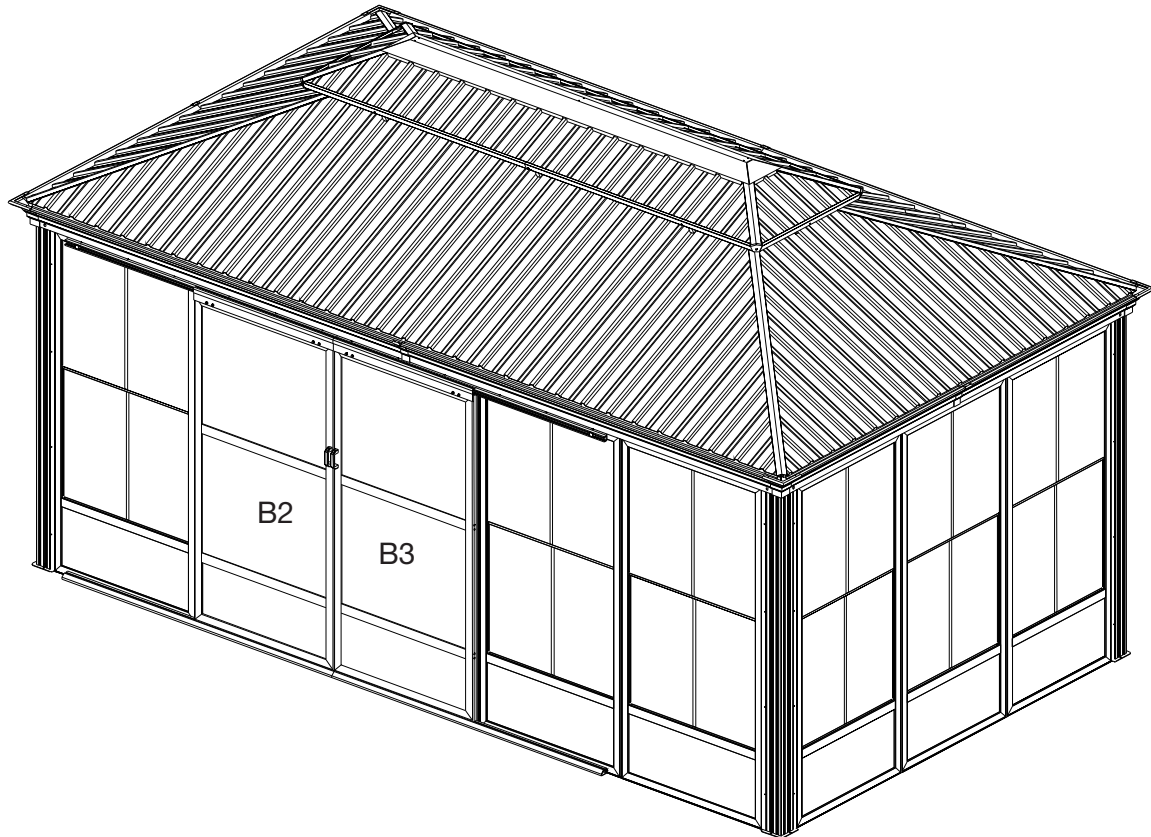
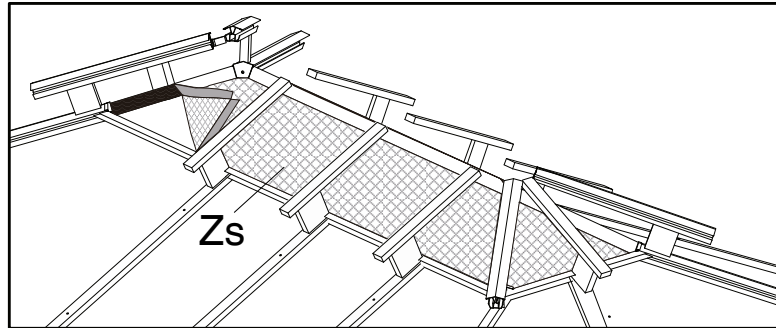






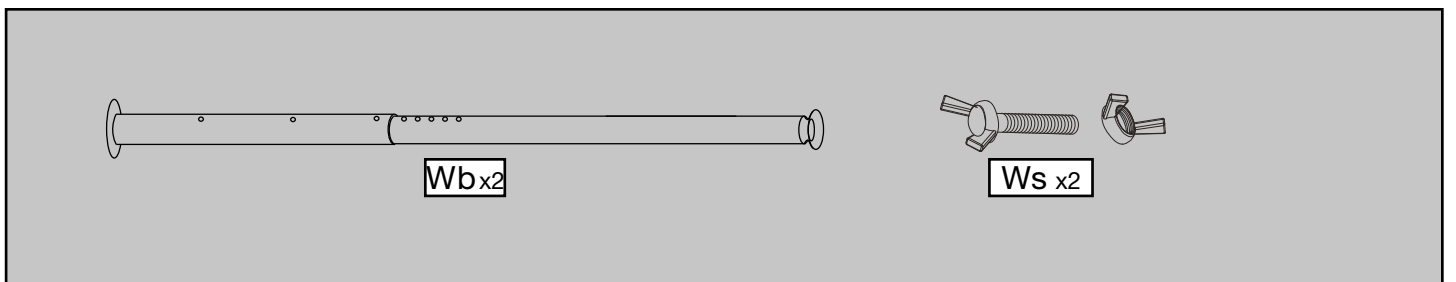
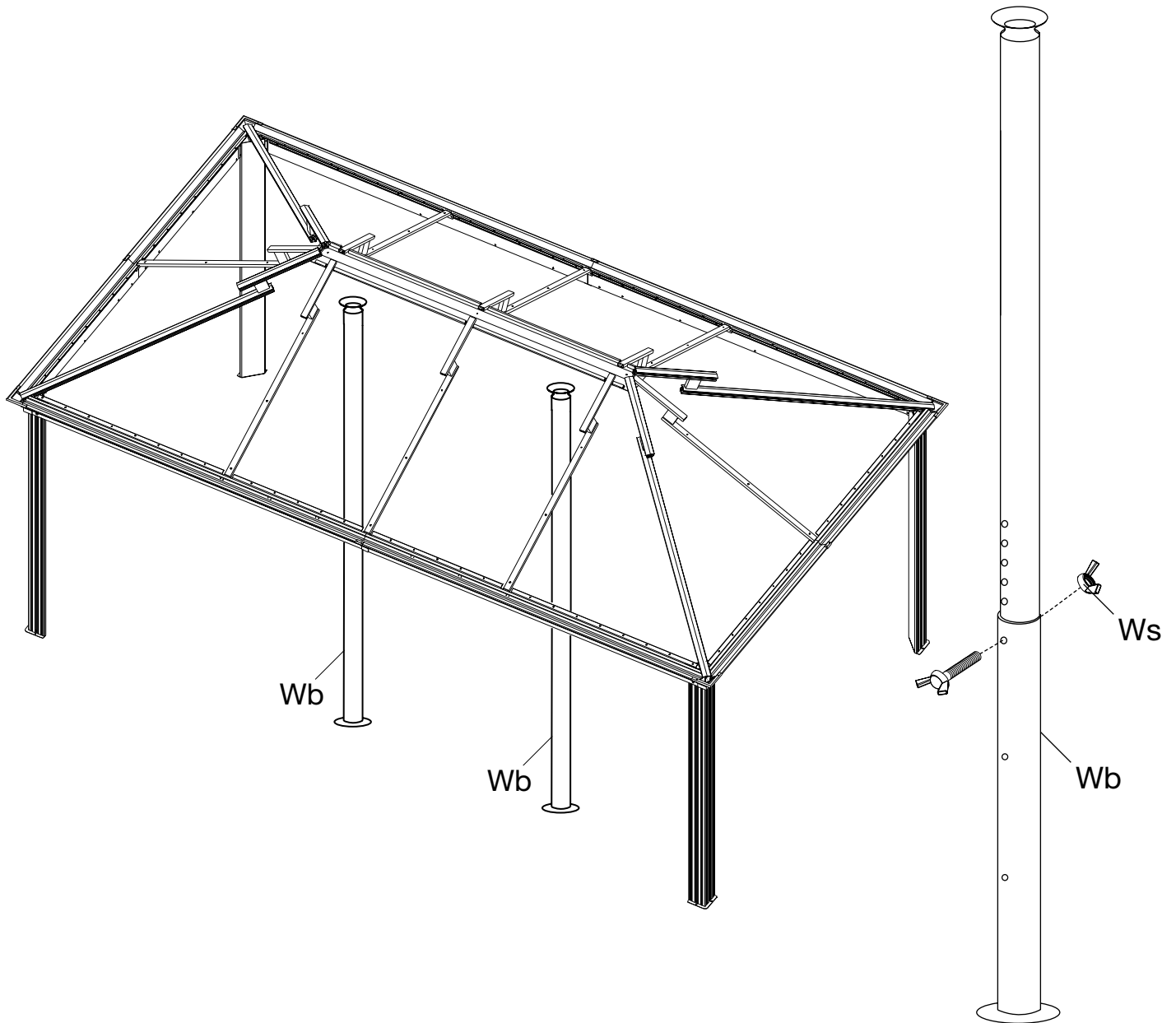






Zs x1

Optional step: Winter support post
Étape optionnelle: Barre de renfort hivernale
Paso opcional: Barra de refuerzo de invierno
선택적 단계: 겨울 서포트 포스트
Optionaler Schritt: Winter-Stützpunkt



Distributed by:
Costco Wholesale Corporation
P.O. Box 34535
Seattle, WA 98124-1535
USA
1-800-774-2678
www.costco.com

Costco Wholesale UK Ltd /
Costco Online UK Ltd
Hartspring Lane
Watford, Herts
WD25 8JS
United Kingdom
01923 213113
www.costco.co.uk

Costco Wholesale Japan Ltd.
3-1-4 Ikegami-Shincho
Kawasaki-ku, Kawasaki-shi,
Kanagawa 210-0832 Japan
0570-200-800
www.costco.co.jp

Importado por:
Importadora Primex S.A. de C.V.
Blvd. Magnocentro No. 4
San Fernando La Herradura
Huixquilucan, Estado de México
C.P. 52765
RFC: IPR-930907-S70
(55)-5246-5500
www.costco.com.mx

Costco Wholesale Iceland ehf.
Kauptún 3-7, 210 Gardabaer
Iceland
www.costco.is

Costco Wholesale New Zealand Limited
2 Gunton Drive
Westgate
Auckland 0814
New Zealand

Costco France
1 avenue de Bréhat
91140 Villebon-sur-Yvette
France
01 80 45 01 10
www.costco.fr

Costco Wholesale Canada Ltd.*
415 W. Hunt Club Road
Ottawa, Ontario
K2E 1C5, Canada
1-800-463-3783
www.costco.ca

* faisant affaire au Québec sous
le nom les Entrepôts Costco

Costco Wholesale Spain S.L.U.
Polígono Empresarial Los Gavilanes
C/ Agustín de Betancourt, 17
28906 Getafe (Madrid) España
NIF: B86509460
900 111 155
www.costco.es

Costco Wholesale Korea, Ltd.
40, Iljik-ro
Gwangmyeong-si
Gyeonggi-do, 14347, Korea
1899-9900
www.costco.co.kr

Costco Wholesale Australia Pty Ltd
17-21 Parramatta Road
Lidcombe NSW 2141
Australia
www.costco.com.au

Costco (China) Investment Co., Ltd.
Room 1003, Block 2, 2388 Xiupu Road,
Pudong New Area, Shanghai
China 201315
+86-21-6257-7065

Costco Wholesale Sweden AB Saluvägen 5
187 66 Täby
Sweden

MADE IN CHINA
FABRIQUÉ EN CHINE
HECHO EN CHINA



**Register • Enregistrer • Regístrate
가리키다 • Registrieren**



ShelterLogic.com/product-registration

SOJAG ■ I