

Technical Data Sheet

In Wall Cistern - CT1706



No.	Description	Product Code	Fixings Included?	Gross Weight
1	In Wall Cistern	CT1706	Yes	5KG



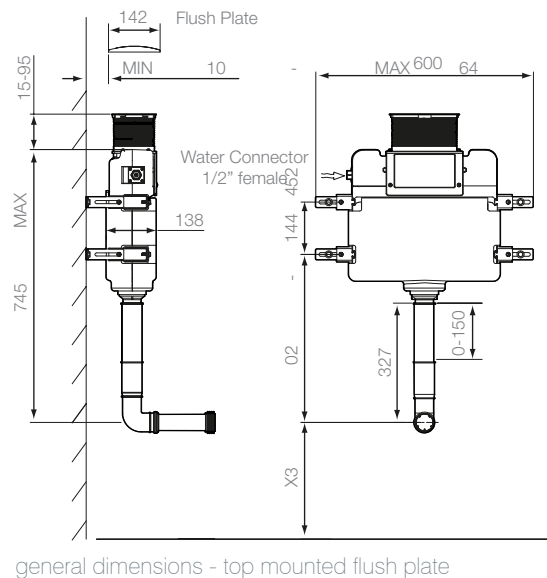
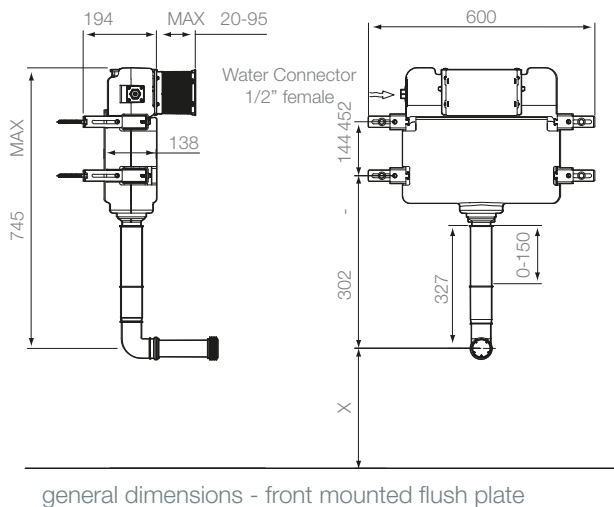
Now comes fitted with air gap inlet valve
Inlet valve WRAS approval number 2105041

KEY FEATURES

- 3/6 litre adjustable flush option
- pneumatic flush valve and push button operation
- side entry inlet valve (1/2" BSP)
- top & front access
- 0.2-10.0 bar working pressure range
- flushpipe >90° for neat installation
- flush pipe securing bracket
- polystyrene insulation jacket
- Selection of flush plates available separately
- ideal for tiled in installations
- all parts serviceable through flush plate aperture

DIMENSIONS

DIAGRAMS NOT TO SCALE | ALL DIMENSIONS IN MM TOLERANCE OF ± 5MM
ALL PRODUCTS CONFORM TO BRITISH STANDARDS



FAQs

Q - What thickness of cladding can be used?

A - 20mm - 95mm for adjustable flush plate mounting

Q - What depth of void will the tank fit into?

A - the cistern will fit into a void of 138-194mm. Cistern can be mounted on battens if deeper void is required.

Q - Can I use a flush button rather than a flush plate with this cistern?

A - Yes. But the fitter must make provision for maintenance of the cistern in lieu of the flush plate.

Q- What is the height of the flush inlet pipe to the pan?

A - 327mm - the pipe can be cut down for different inlet locations.

Q- What is the vertical length of the flush pipe?

A- 177mm to 327mm