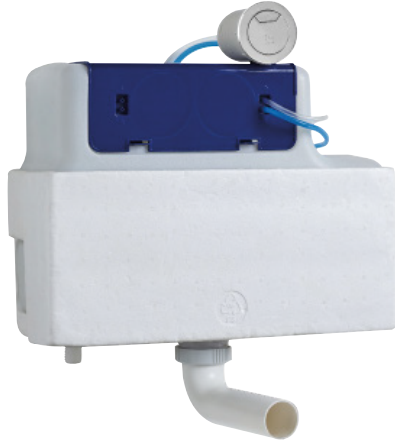


Technical Data Sheet

Comfort Height Cistern - CT1705

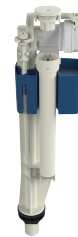


No.	Description	Product Code	Fixings Included?	Gross Weight
1	Comfort Height Cistern	CT1705	Yes	2.9KG



KEY FEATURES

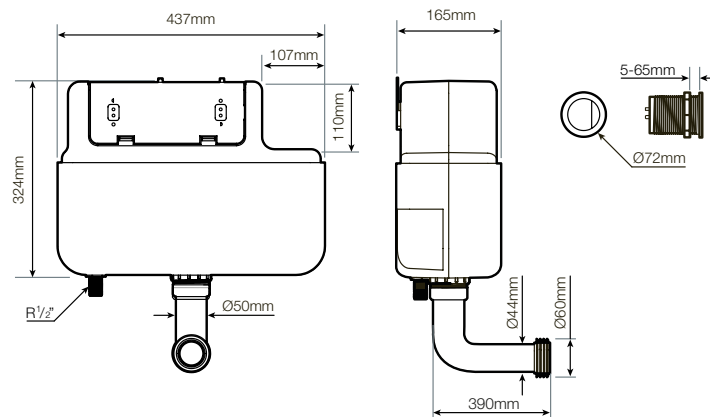
- Developed specifically for comfort height BTW WCs
- pre-assembled concealed cistern
- 3/6 litre adjustable flush option
- pneumatic flush valve and push button operation
- bottom entry inlet valve
- top & front access
- 0.2-10.0 bar working pressure range
- flushpipe >90° for neat installation
- polystyrene insulation jacket



Now comes fitted with air gap inlet valve
Inlet valve WRAS approval number 2105042

DIMENSIONS

DIAGRAMS NOT TO SCALE | ALL DIMENSIONS IN MM TOLERANCE OF ± 5MM
ALL PRODUCTS CONFORM TO BRITISH STANDARDS



FAQs

What is the length of the push button hoses? Approx 700mm.

What is the vertical length of the flush pipe to the tank? 71mm to 370mm.

Why does the big (full flush) button go down when pressing the small (1/2 flush) button?

This is normal due to the button mechanism - the bellows closes the full flush capacity to reduce the total flush.

When the button is pushed it won't go in or flush?

Check the hose connections from the back of the button to the valve.