

Technical Data Sheet

Side Inlet Concealed Cistern - CT1701

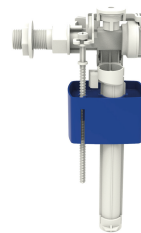


No.	Description	Product Code	Fixings Included?	Gross Weight
1	Side Inlet Concealed Cistern	CT1701	Yes	2.7KG



KEY FEATURES

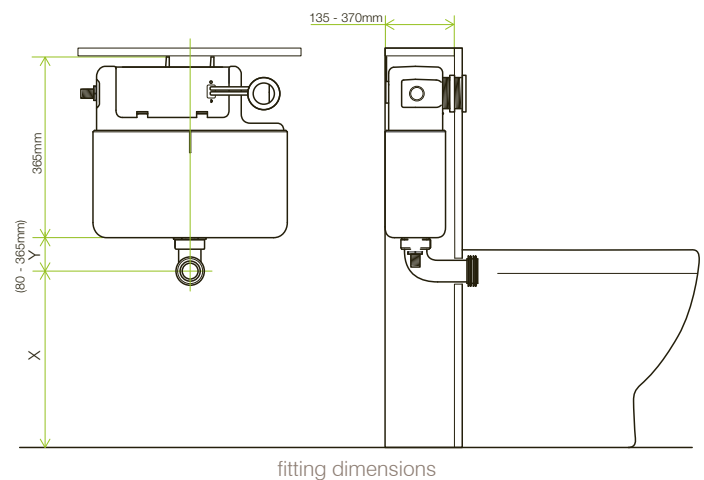
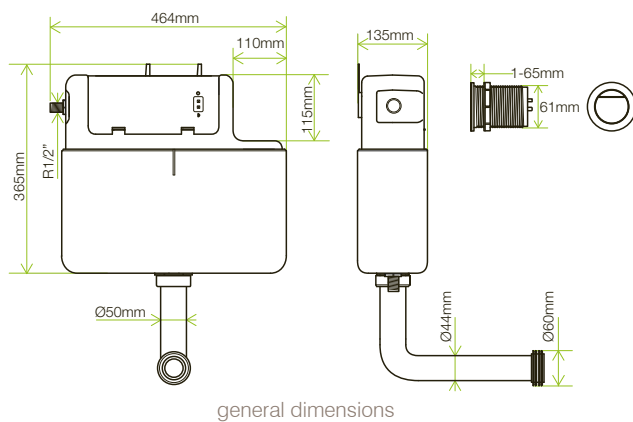
- pre-assembled concealed cistern
- 3/6 litre adjustable flush option
- pneumatic flush valve and push button operation
- side entry inlet valve
- top & front access
- 0.2-10.0 bar working pressure range
- flushpipe >90° for neat installation
- polystyrene insulation jacket



Now comes fitted with air gap inlet valve
Inlet valve WRAS approval number 2105041

DIMENSIONS

DIAGRAMS NOT TO SCALE | ALL DIMENSIONS IN MM TOLERANCE OF ± 5MM
ALL PRODUCTS CONFORM TO BRITISH STANDARDS



FAQs

What is the length of the flush inlet pipe to the pan? 390mm.

What is the length of the push button hoses? Approx 700mm.

What is the vertical length of the flush pipe to the tank? 400mm.

Why does the big (full flush) button go down when pressing the small (1/2 flush) button?

This is normal due to the button mechanism - the bellow closes the full flush compartment to reduce the total flush.

When the button is pushed it wont go in or flush?

Check the hose connections from the back of the button to the valve.