

Technical Data Sheet

820mm Wall Hung Frame and Cistern - CT1702



No.	Description	Product Code	Fixings Included?	Gross Weight
1	0.82m Wall Hung Frame and Cistern	CT1702	Yes	15.55KG

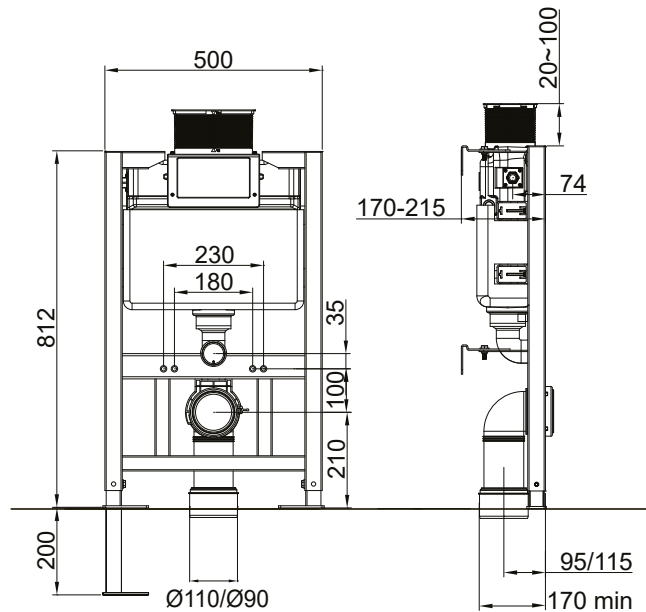


Now comes fitted with air gap inlet valve
Inlet valve WRAS approval number 2105042

KEY FEATURES

- adjustable depth 167-215mm
- adjustable height legs (up to 200mm adjustment)
- 6/3 litre adjustable flush option
- side entry 1/2" inlet valve
- front access panel
- 0.2-10.0 bar working pressure range
- flushpipe >90° for neat installation
- polystyrene insulation jacket
- Choose the optional Furniture Adaptor Kit (CT1704) when using the frame in furniture installations.

DIMENSIONS



DIAGRAMS NOT TO SCALE | ALL DIMENSIONS IN MM TOLERANCE OF ± 5MM
ALL PRODUCTS CONFORM TO BRITISH STANDARDS

NOTE: THIS WALL HUNG FRAME IS SUITABLE FOR USE IN FITTED FURNITURE BACK TO WALL UNITS AND NOT MODULAR BACK TO WALL UNITS.

FAQs

Q - Is the frame supplied with a flush plate?

A - No, this is purchased separately

Q- What is the flushing volume of the cistern?

A- The cistern has a full flush of 6 litres and half flush of 3 litres.

Q - Can the flush plate be mounted on top?

A - Yes, with this frame , the flush plate can be mounted on the top or front of the cistern.

Q - Can the waste pipe be routed out to the side of the frame?

A - Yes, with a minimum distance of 170mm from wall to the front of the frame.

Q - What height will my pan be?

A - If the frame is set at 812mm, the pan should be approximately 410mm above the floor.