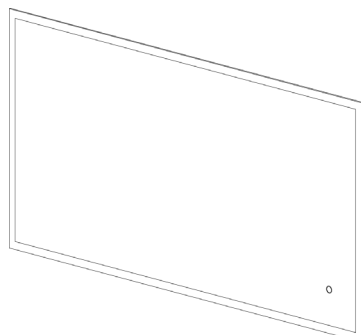


Technical Data Sheet

EPSILON



Box Contents:

Epsilon Mirror | 2x wall plugs | 2x screws | Instructions booklet

Materials

Frame Material: Extruded Aluminium

Glass: 5mm PVC Backed

FAQ's:	Units	CT1205
Why are the lights not switching on?	-	Please note: After the mirror is connected to power for the first time, it may take up to 5 minutes for the sensor to calibrate and become fully responsive.
Can the mirror be hung landscape?	-	Yes
What is the thickness of the mirror glass?	mm	5
Is the mirror IP44 rated?	-	Yes – Suitable for use in bathroom zone 2
What size fuse should I use?	-	Seek the advice of an electrician
What is the total power consumption?	W	76
Does the mirror have an energy rating?	-	Yes – It has an energy rating of: F
What is the colour of the light and the Kelvin rating?	K	3000 - 6500
What is the Lumen of the LEDs?*	Lms	9540
What is the wattage of the lights?	W	39
Where is the IR sensor/rocker switch located?	-	Lower Right
Can the LED lighting be replaced?	-	No**
Can the touch sensor be replaced?	-	Yes
What is the output of the demister pad?	W	37
What are the dimensions of the demister pad? (L x W)	mm	750 x 300
How do I turn on the demister pad?	-	The demister pad will turn on when the LEDs are turned on.
Are illuminated mirrors supplied with mains cable?	-	All illuminated mirrors are supplied with a removeable 500mm mains cable. There is ample storage for excess cable in the back of the unit.

Dimensions are subject to change; customers are advised to measure actual product before commencing installation.

Fixing point dimensions are for guidance only/the positions of wall fixing must be checked when product is received.

*The Lumen represents the output of the LED. This may vary depending on the diffuser material i.e., glass or acrylic.

**The LEDs are not replaceable to maintain the integrity of the product's resistance to moisture ingress.

