

KICHLER®

AHRENDALE - 60" / 152cm

KLF-AHRENDALE-60-AVI

Product images may vary slightly from actual product.
















INSTRUCTION MANUAL

SAFETY RULES

READ AND SAVE THESE INSTRUCTIONS

WARNING: TO REDUCE THE RISK OF FIRE, ELECTRIC SHOCK, OR INJURY TO PERSONS, OBSERVE THE FOLLOWING:

1. Proceed with caution. Read all instructions before beginning the installation. This will help you to avoid errors, which could lead to a hazard or malfunction. Keep the instructions in case you have any questions later. Pass on the instructions to each subsequent owner or user of the product. Ensure that any supplement to the instructions is enclosed. The manufacturer cannot be made responsible and/or liable for personal injuries or damage to property cause by:
 - . incorrect installation
 - . changes made to the product
 - . improper use (misuse)
 - . failure to observe these instructions.
2. Only an authorized electrician should execute the installation.
3. The installation height, i.e. the distance between the blades and the floor, should be at least 2.3 m.
4. Make sure the fan is securely fastened at the ceiling.
5. **WARNING!** To prevent injuries, make sure the blades are not bent and that there are no objects with in the area of rotation.
6. This appliance can be used by children aged from 8 years and above and persons with reduced physical, sensory or mental capabilities or lack of experience and knowledge if they have been given supervision or instruction concerning use of the appliance in a safe way and understand the hazards involved. Children shall not play with the appliance. Cleaning and user maintenance shall not be made by children without supervision.
7. **WARNING:** If unusual oscillating movement is observed, immediately stop using the ceiling fan and contact the service agent or suitably qualified persons.
8. **IP44** - Suitable for use in wet locations.
9. The fixing means for attachment to the ceiling such as hooks or other devices shall be fixed with a sufficient strength to withstand 4 times the weight of the ceiling fan. This fan weighs **14.35 KG**.
10. Before disassembling light kit, make sure the power supply is disconnected from the main supply. Power supply can be on only after installation is completed.
11. Do not ingest battery -- chemical burn hazard
 - The remote control supplied with this product contains a coin/button cell battery. If the coin/button cell battery is swallowed, it can cause severe internal burns in just 2 hours and can lead to death.
 - Keep new and used batteries away from children.
 - If the battery compartment does not close securely, stop using the product and keep it away from children.
 - If you think batteries might have been swallowed or placed inside and part of the body, seek immediate medical attention.

		Explanation of signs	
-	-	IP 20 Protection against: Solid foreign objects with $\varnothing \geq 12.5$ mm, contact with fingers or similar objects. No protection against water.	 - IP 66 Protection against: Dust ingress (dust tight), contact with wires or other objects 1 mm thick, powerful water jets from a nozzle from any direction.
-		IP 23 Protection against: Solid foreign objects with $\varnothing \geq 12.5$ mm, contact with fingers or similar objects, water falling as a spray at any angle up to 60° (protected from rain).	 IP 67 Protection against: Dust ingress (dust tight), contact with wires or similar objects 1 mm thick, immersion under defined pressure and time.
-	-	IP 32 Protection against: Solid foreign objects with $\varnothing \geq 2.5$ mm, contact with tools/wires 2.5 mm thick, water dripping at an angle of max. 15°.	 IP 68 Protection against: Dust ingress (dust tight), contact with wires or similar objects 1 mm thick, continuous immersion under defined conditions.
-	-	IP 40 Protection against: Solid foreign objects with $\varnothing \geq 1.0$ mm, contact with wires or similar objects 1 mm thick. No protection against water.	 - IP69 Protection against: Dust ingress (dust tight), contact with wires or similar objects 1 mm thick, close-range high pressure, high temperature spray downs.
-		IP 44 Protection against: Solid foreign objects with $\varnothing \geq 1$ mm, contact with wires or similar objects 1 mm thick, splashing water from any direction. (360°)	 Protection class I The light has a protective conductor terminal. Connect the protective conductor (green-yellow wire) to the labelled earthing screw.
		IP 54 Protection against: Dust deposits, contact with wires or similar objects 1 mm thick, splashing water from any direction. (360°)	 Protection class II The light is particularly insulated and should not be connected to a protective conductor.
		IP 65 Protection against: Dust ingress (dust tight), contact with wires or similar objects 1 mm thick, water jets from a nozzle from any direction.	 Protection class III The light should only be connected to safety extra-low voltage (SELV).

Health and safety regulations

Comply with the national installation and safety regulations for the installation, operation and maintenance. Always note the symbols on the packaging and in these installation instructions. Refer to the following list for the precise meanings of the symbols:



Never work on the light if a voltage is applied. Warning - Danger of death!
Always follow the general safety instructions and warnings.



These instructions assume technical knowledge corresponding to that of a person who has successfully completed training in the electrical trade. The electricity supply should only be connected by a trained electrician. Have damaged electrical cables replaced by a trained electrician only.



Do not stare into the active light source!



This product and its packaging contain small parts, which can be swallowed by children. Keep children away from the product and packaging!



Replace each cracked or shattered protective cover immediately. Only use original parts as replacements.



Caution, risk of electric shock.
Note on light sources, which are not intended to be replaced by the user.

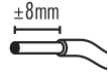
Notes on the installation sketch



Ensure that the cables are not damaged or crushed during installation.

Warning - Danger of death!

Remove the cable insulation as shown in the illustration.



The protective conductor should always be longer than the live cables.



Pull the enclosed protective hoses over the cable ends to protect against heat.



The lights are not suitable for covering with thermal insulation materials.



Follow the specified installation direction.



Note on maximum current load and maximum possible number of lights per electric circuit, for applications with through-wiring.



The lights are not suitable for direct installation on normally flammable surfaces (only suitable for installation on non-combustible surfaces).

Intended use / foreseeable misuse

This product is used for lighting. Do not expose the light to large mechanical loads or stresses or heavy soiling. For safety reasons, you should not change and/or modify the product. Any use other than that described above can damage the product. This can cause hazards such as a short-circuit, electric shock or fire.

Cleaning / maintenance

Warning The light should always be cooled and disconnected from the power supply before cleaning / maintenance work is carried out! Check that no voltage is present. For regular cleaning (two to three times a year), use a dry or lightly moistened cloth and never use chemicals or abrasive cleaner/scouring agent. We recommend using a stainless steel cleaning product for stainless steel lights. The following environmental influences can have unwanted effects on the surface of the product: acid rain and soil, high salt content in the air, cleaning agents, fertilisers (outdoor lighting; especially in flower beds), de-icing salt, other chemical substances (e.g. pesticides).

- 1.) Because of the fan's natural movement, some connections may become loose. Check support connections (including the suspension system), brackets, and blade attachments twice a year. Make sure they are secure.
- 2.) The replacement of parts of the safety suspension system device shall be performed by the suitably qualified persons
- 3.) For non-user replaceable light sources:
The light source contained in this luminaire shall only be replaced by the qualified person. The rated current of this light fixture is 0.048A, power factor is 0.98.

Notes on disposal



"Green dot" symbol = The packaging is recyclable.



This light should not be disposed of in the normal household waste. It should be handed in to a collection point for the recycling of large electrical and electronic appliances. Please find out about the relevant provisions regarding the separate collection of waste electrical and electronic equipment (WEEE) in your country. Correct disposal of your waste equipment protects the environment and people against potential negative consequences.



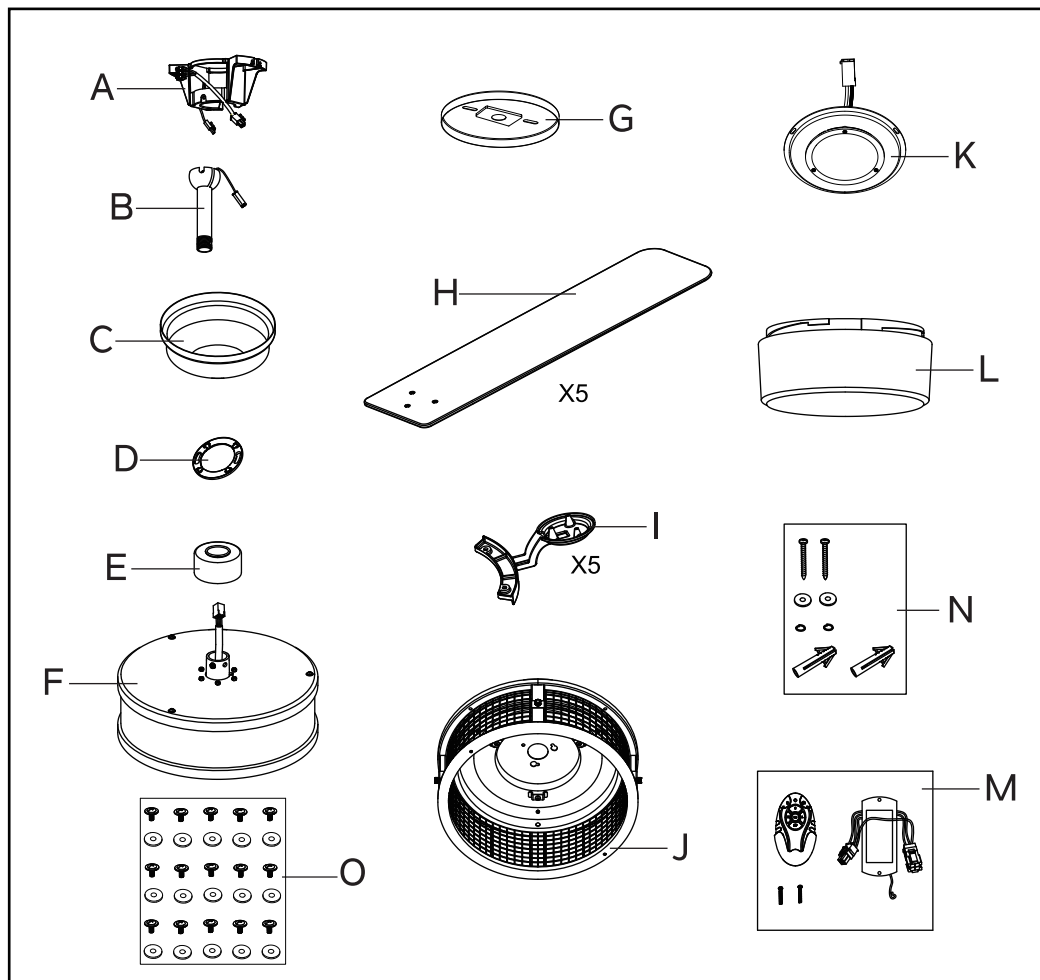
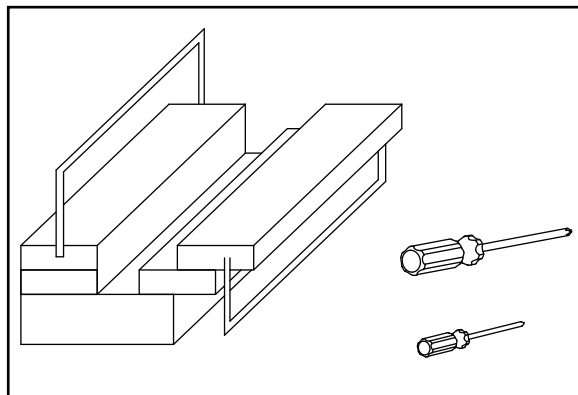
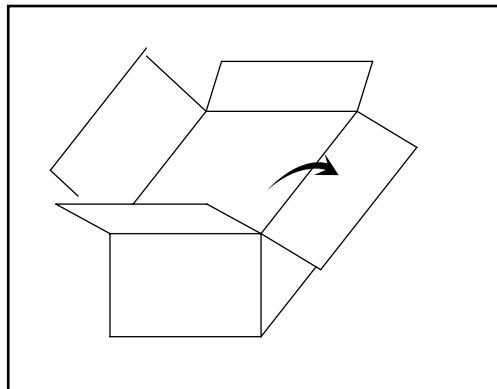
Batteries do not belong in household waste! Used batteries must be handed in to the public collection points in your municipality or wherever batteries are sold.

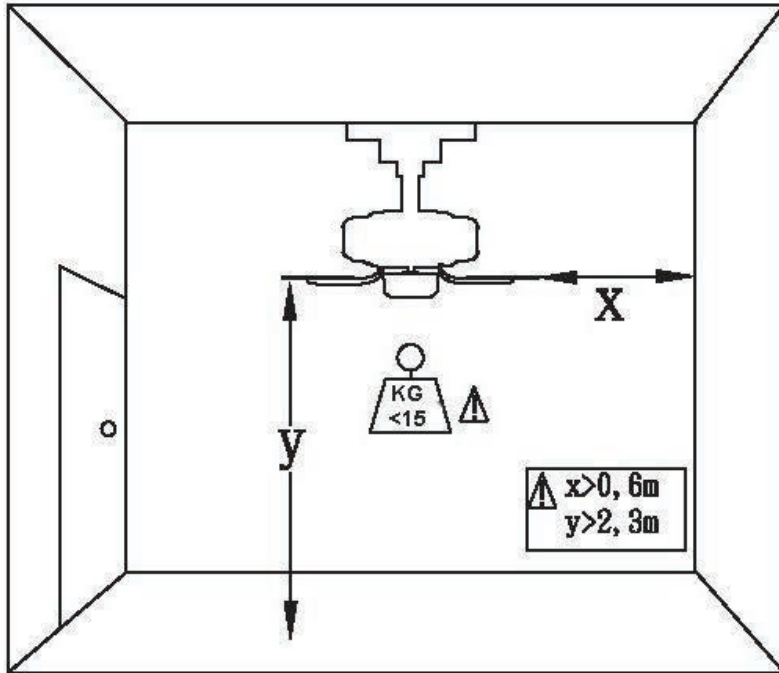
Declaration of conformity



The product is designed, produced and tested in conformity with EN 60598 and fulfils the fundamental safety requirements of the EU Directives 2014/35/EU and 2014/30/EU.

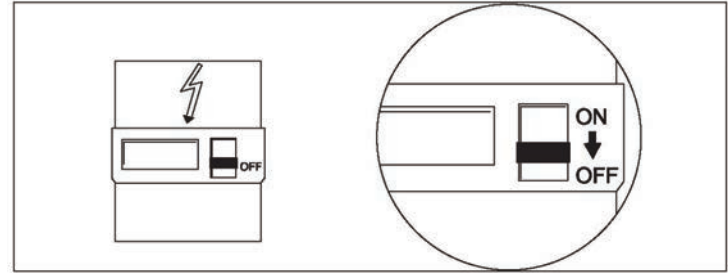
Unpack the product carefully and check that it is complete and intact. It should not be used if there is any damage to the cable, glass or electrical parts. In such a case, contact customer service immediately.





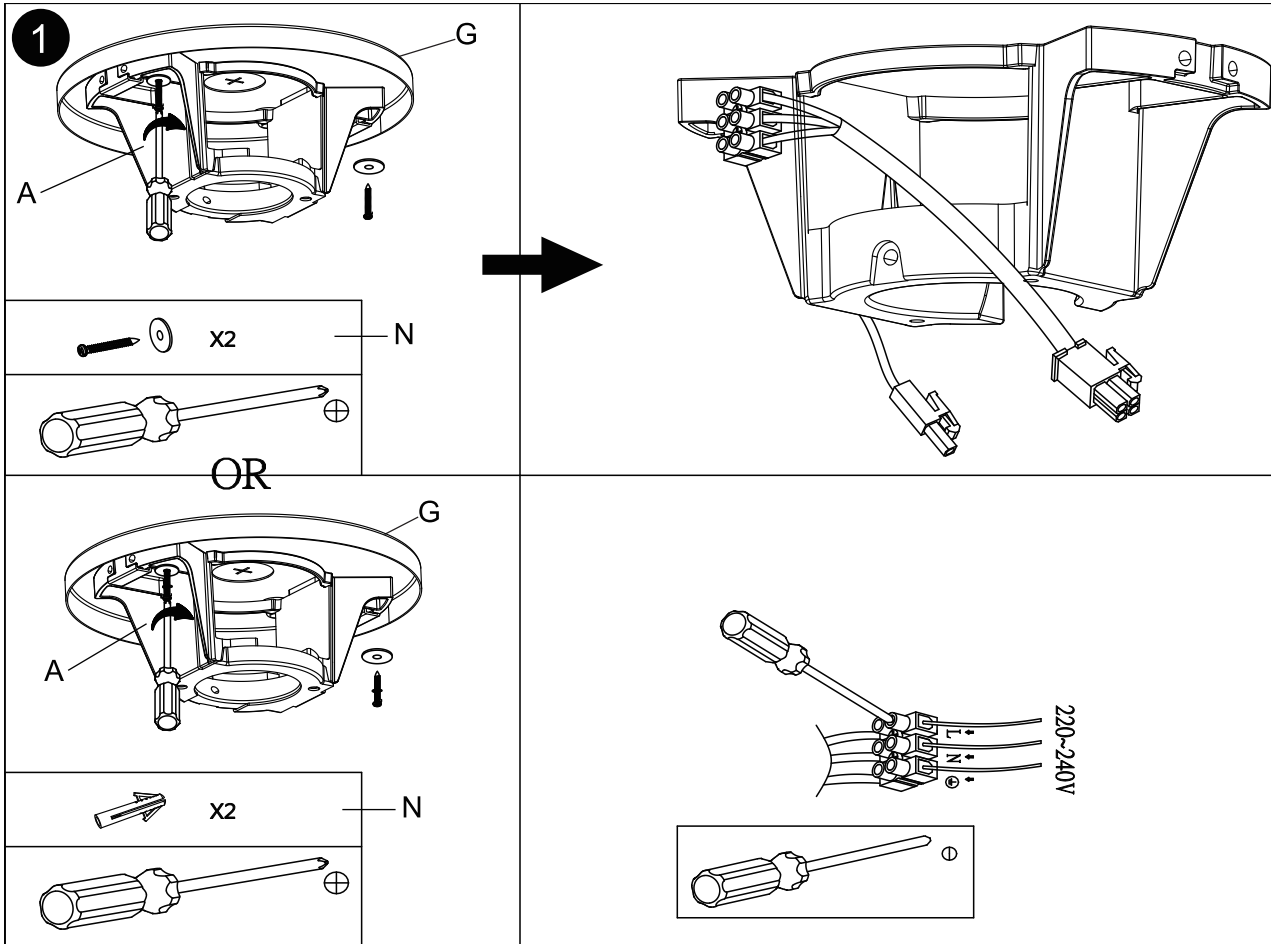
The distance between the fan blades and the wall should be at least 0.6m.

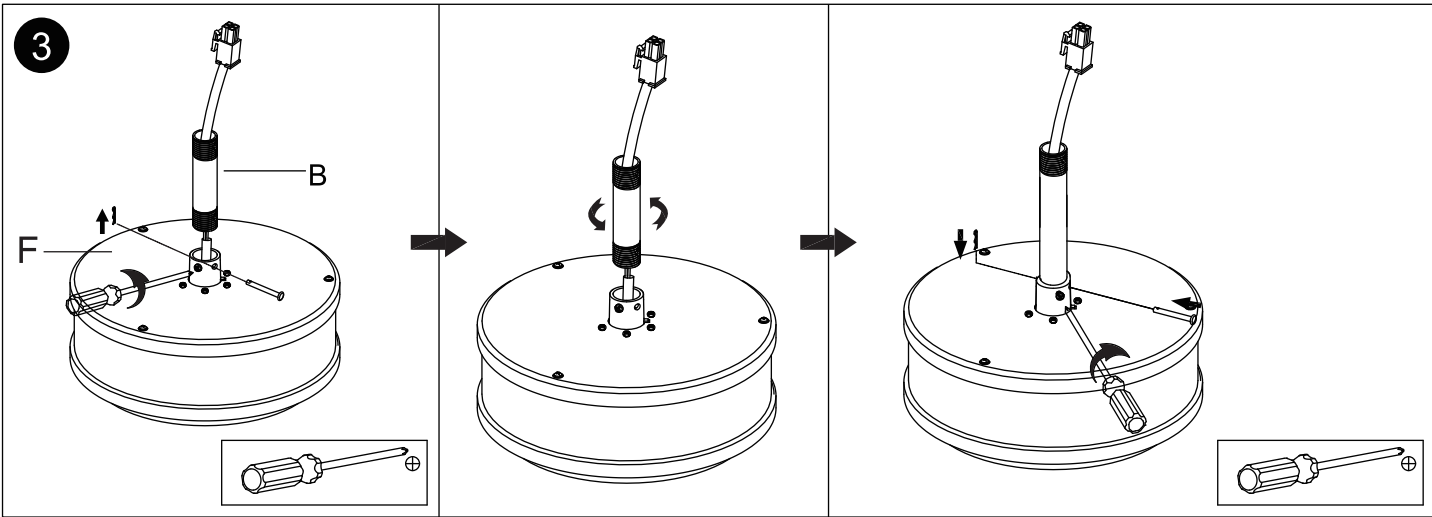
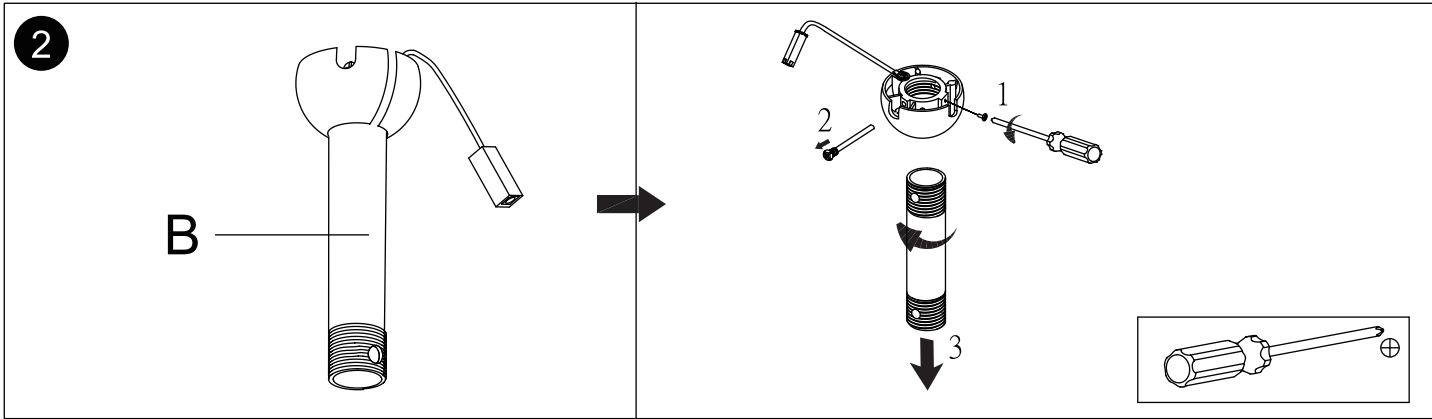
The installation height, i.e. the distance between the blades and the floor, should be at least 2.3 m.

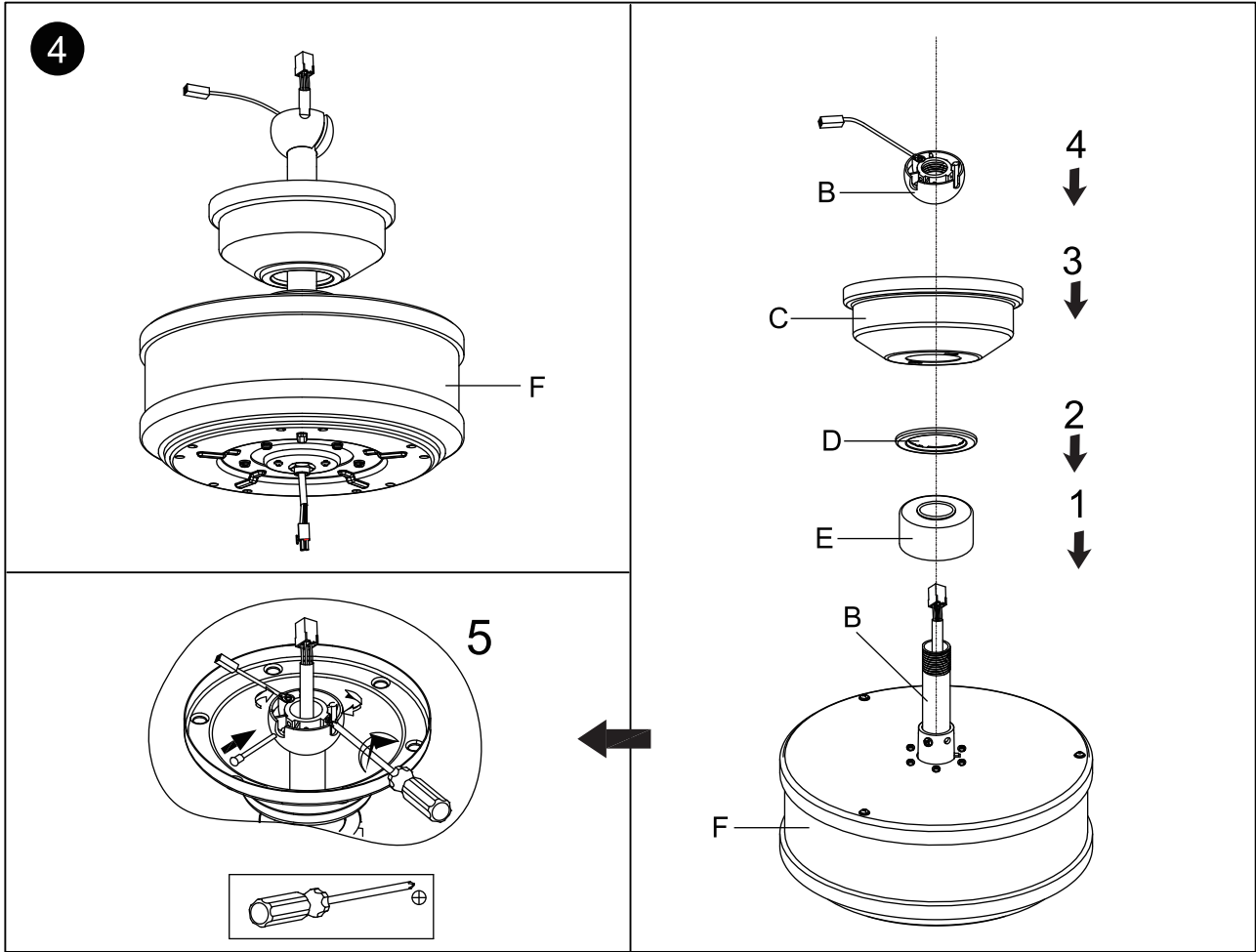


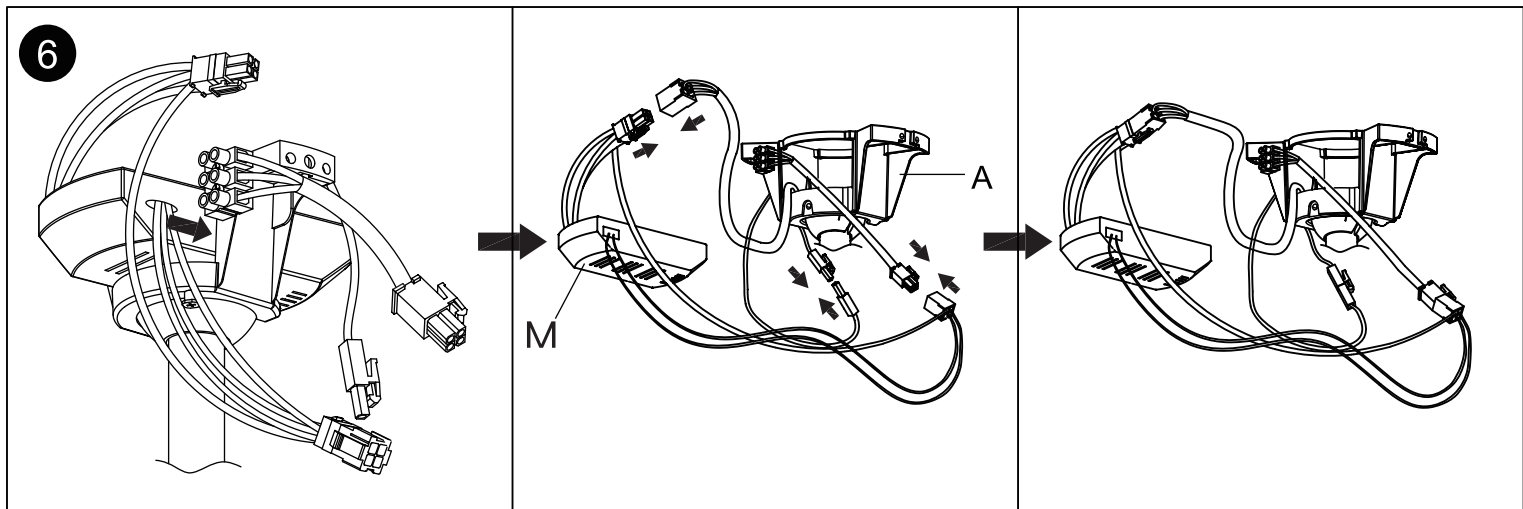
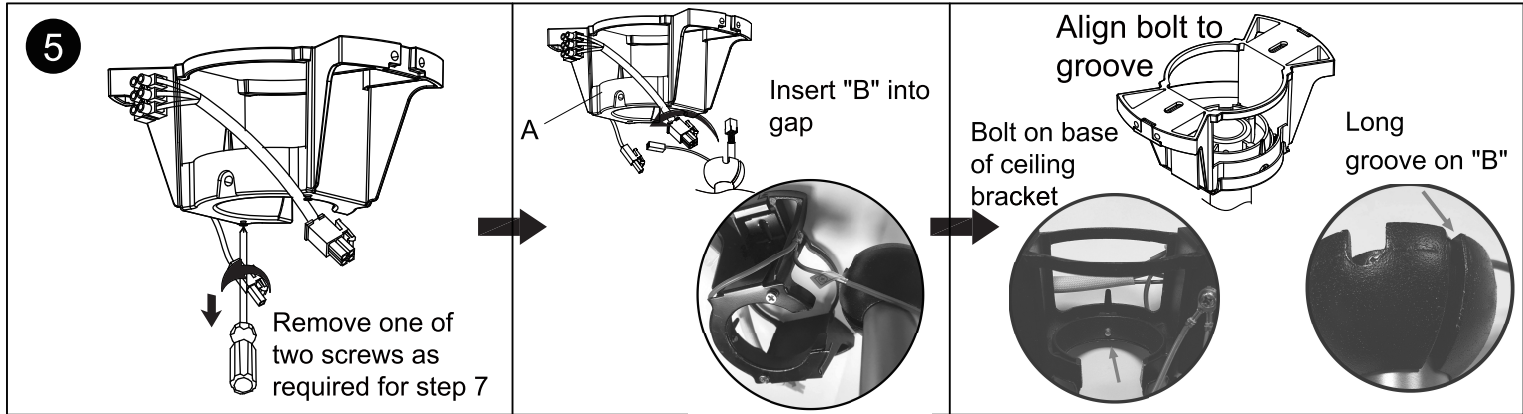
Only an authorized electrician should execute installation

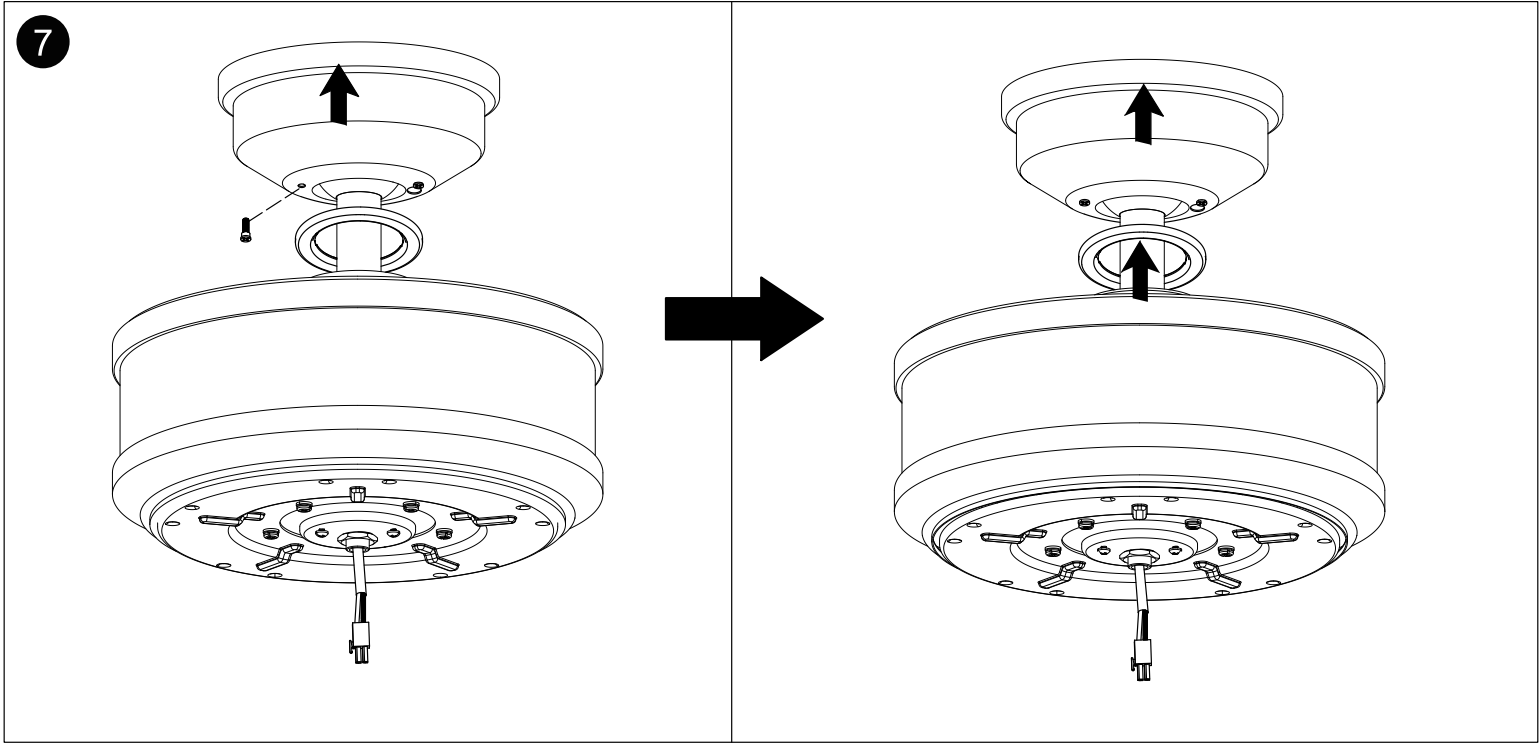
The fixing means for attachment to the ceiling such as hooks or other devices shall be fixed with a sufficient strength to withstand 4 times the weight of the ceiling fan. This fan weighs **14.35 KG**

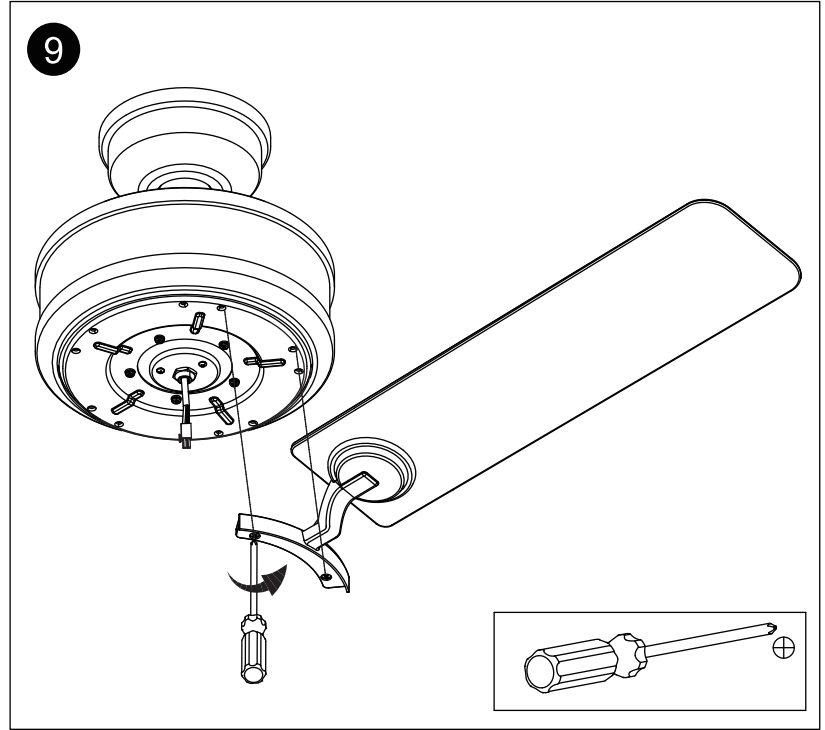
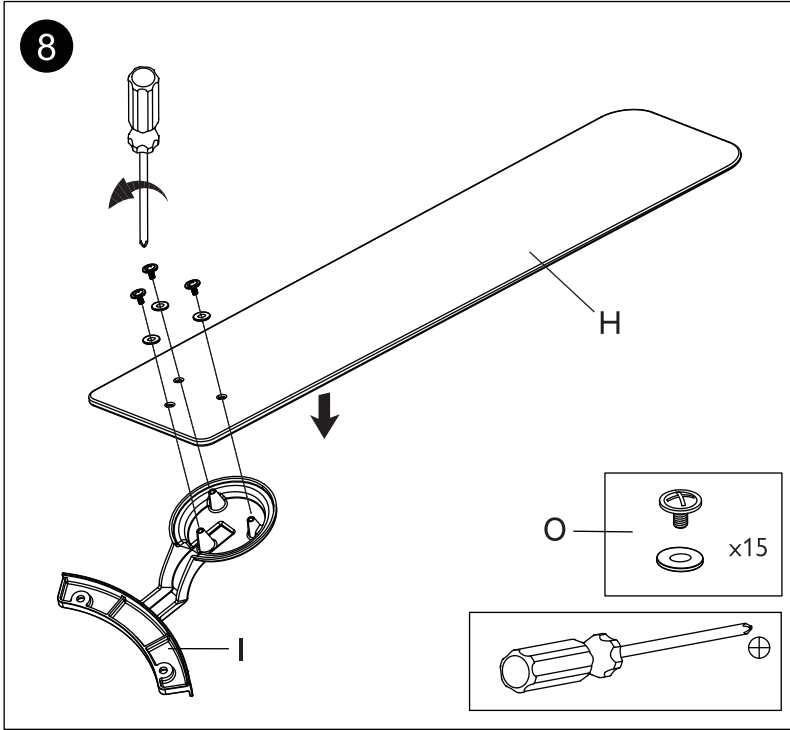




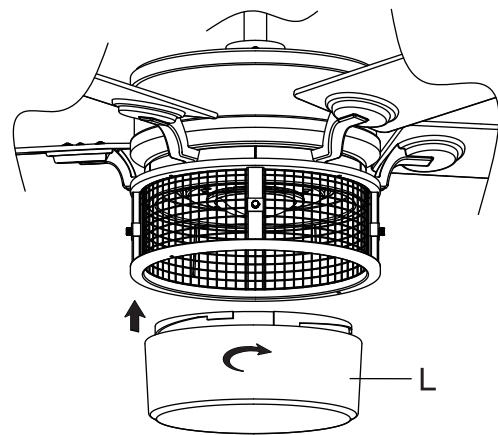
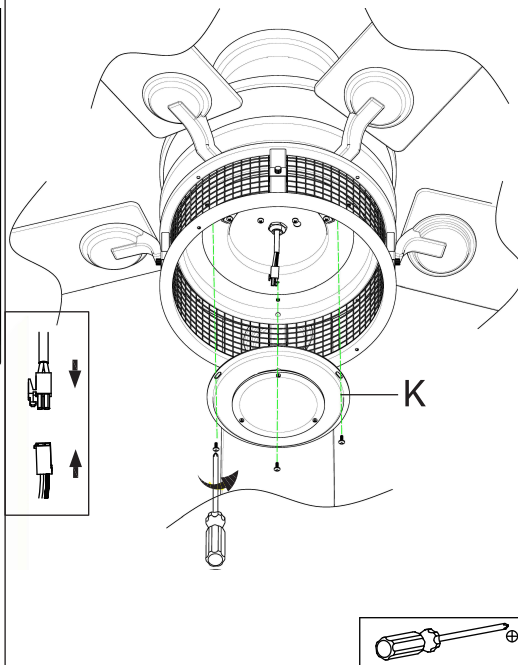
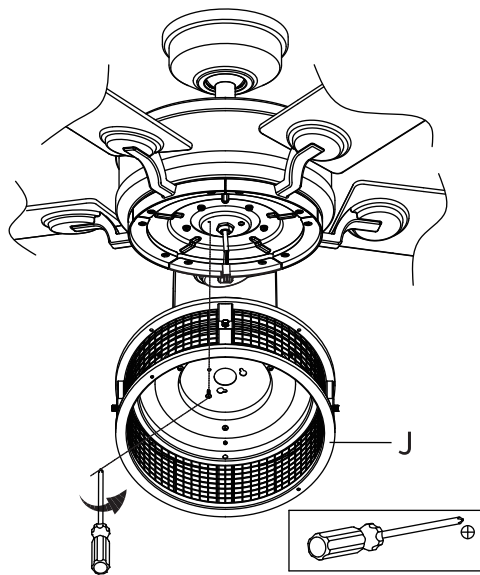


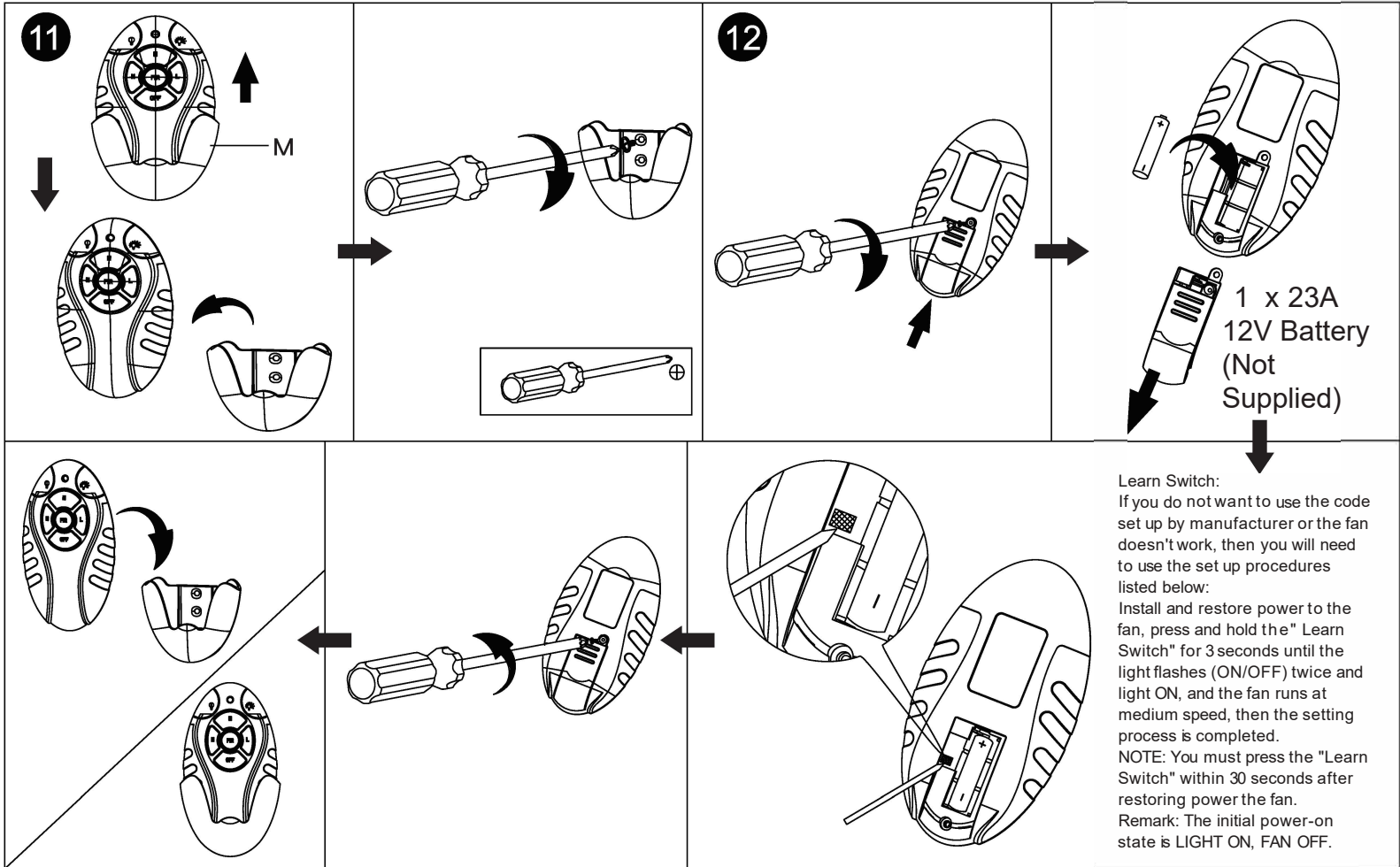


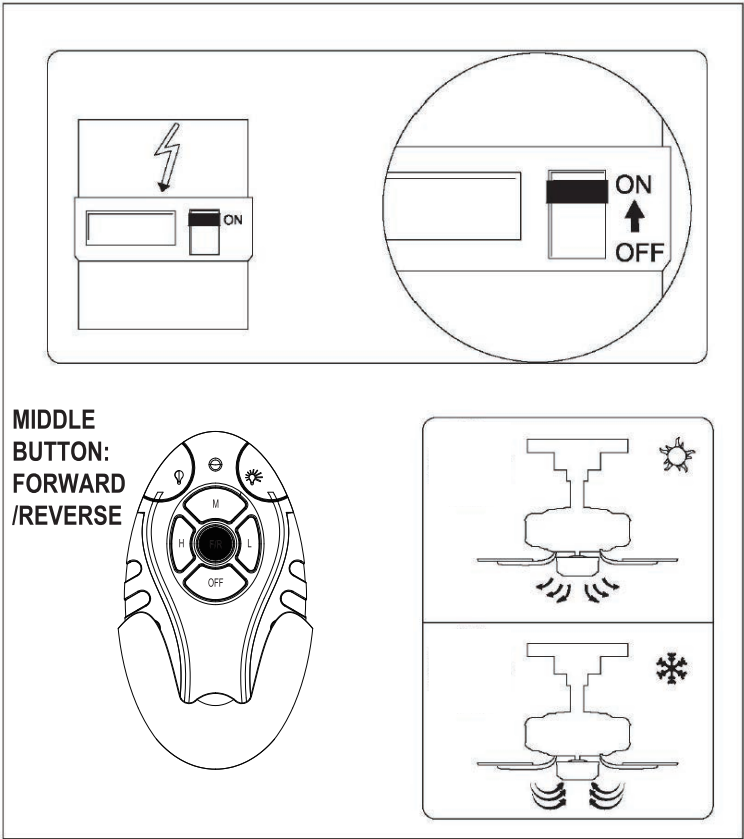
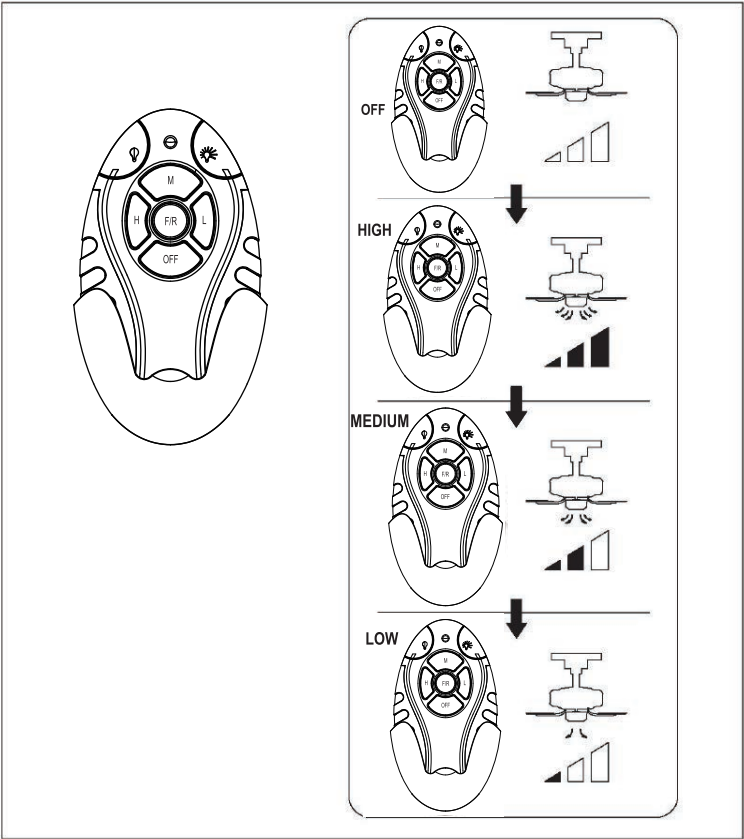


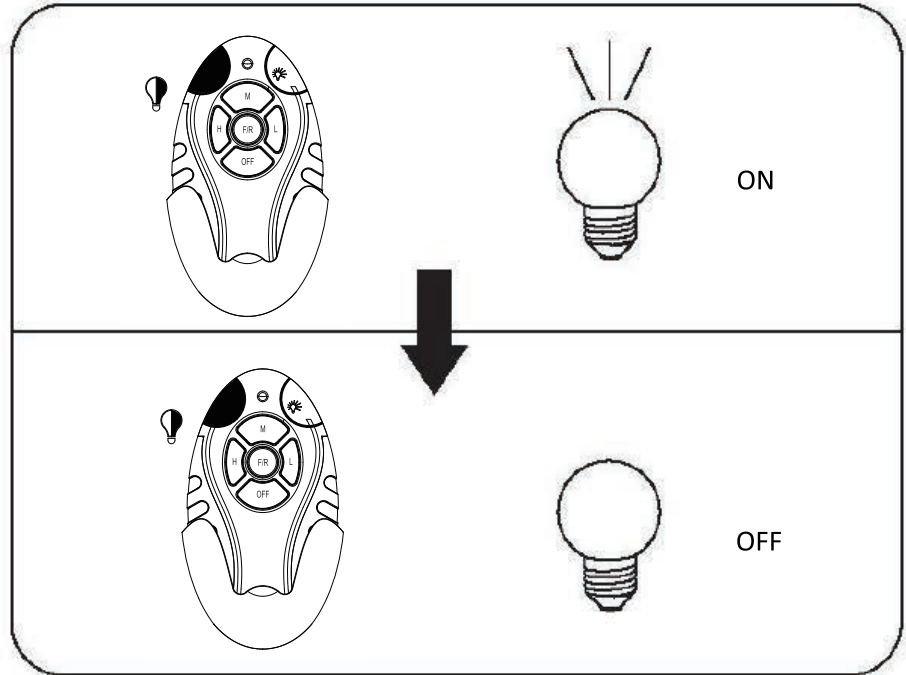
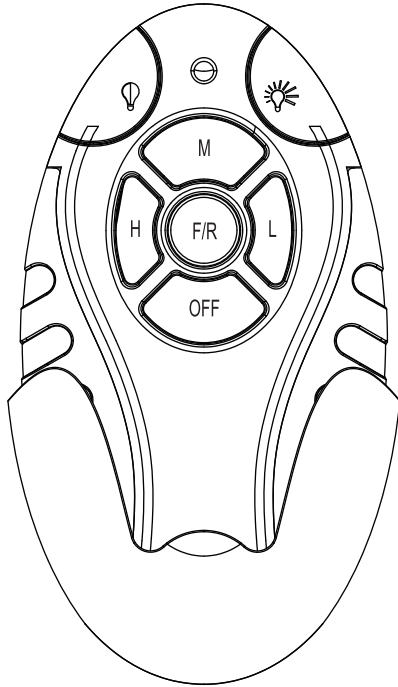


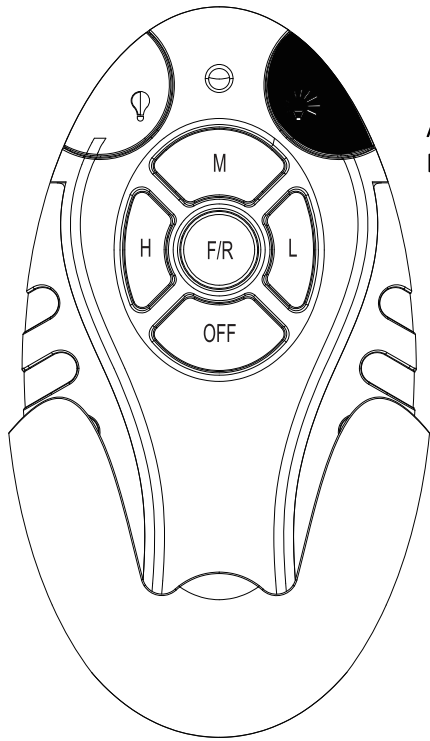
10



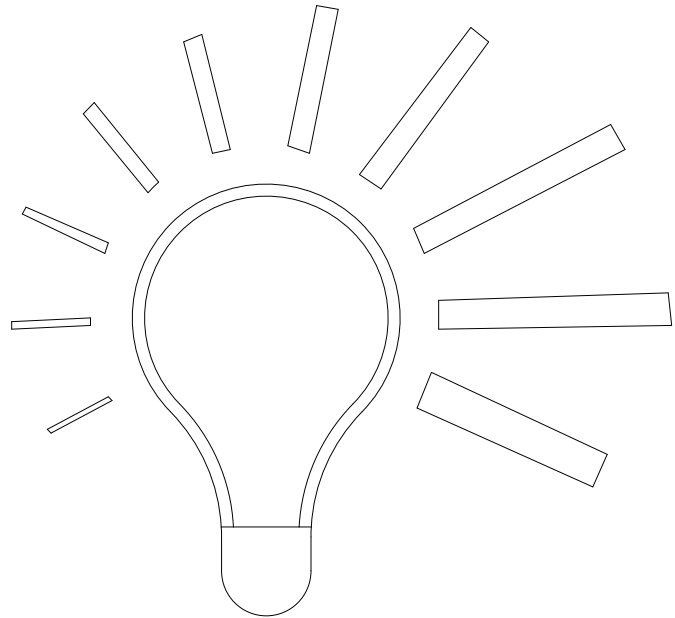








ADJUST
BRIGHTNESS



TROUBLESHOOTING

Problem	Solution
Fan will not start.	<ol style="list-style-type: none">1. Check circuit fuses or breakers.2. Check all electrical connections to insure proper contact. CAUTION: Make sure the main power is OFF when checking any electrical connection.3. Make sure the transmitter batteries are installed properly. Positive (+) side facing out.4. Insure the batteries have a good charge.
Fan sounds noisy.	<ol style="list-style-type: none">1. Make sure all motor housing screws are snug.2. Make sure the screws that attach the fan blade brackets to the motor are tight.3. Make sure wire nut connections are not rubbing against each other or the interior wall of the switch housing. CAUTION: Make sure main power is off.4. Allow a 24-hour "breaking-in" period. Most noise associated with a new fan disappear during this time.5. If using an optional light kit, make sure the screws securing the glassware are tight. Make sure the light bulbs are not touching any other component.6. Do not connect this fan to a wall mounted variable speed control(s). They are not compatible with ceiling fan motors or remote controls.7. Make sure the upper canopy has a short distance from the ceiling. It should not touch the ceiling.
Fan wobble.	<ol style="list-style-type: none">1. Check that all blade and blade arm screws are secure.2. Most fan wobbling problems are caused when blade levels are unequal. Check this level by selecting a point on the ceiling above the tip of one of the blades. Measure this distance. Rotate the fan until the next blade is positioned for measurement. Repeat for each blade. The distance deviation should be equal within 1/8".3. If the blade wobble is still noticeable, interchanging two adjacent (side by side) blades can redistribute the weight and possibly result in smoother operation.
Remote control malfunction.	<ol style="list-style-type: none">1. Ceiling Fans with remote control systems CAN NOT be operated in conjunction with any other control system EXCEPT a basic On/Off wall switch, if desired.

KICHLER®

www.elsteadlighting.com

UK HEAD OFFICE Elstead Lighting Ltd.

**Elstead House, Mill Lane, Alton, Hampshire, GU34
2QJ, UK**

Sales Office: +44 (0) 1420 82377

Email: sales@elsteadlighting.com