

MINIMAX[®]



MiniMax[®]

Mobile Aluminium Trade
Platform and Tower System

3T - Through the Trapdoor Method

INSTRUCTION MANUAL

Contents

1 Safety First

1.1	Introduction	2
1.2	Tower Designation	3
1.3	Maintenance – storage - transport	3

2 Building the Tower

2.1	Pre-Assembly Checks	4
2.2	Component Diagram	5
2.3	Quantity Schedule	6
2.4	Stabilisers	7
2.5	Adjustable Legs	7
2.6	Assembly	8
2.6.1	Assembly Procedure for 0.6m Tower	9
2.6.2	Assembly Procedure for 1.7m Tower	12
2.6.3	Assembly Procedure for 3.7m Tower	15
2.6.4	Assembly Procedure for 5.8m Tower	21
2.6.5	Fitting Toe Boards	28
2.7	Dismantling	28

3 Using the Tower

3.1	Safety Checklist	29
3.2	Pre-Use Checklist	29
3.3	Use	30
3.4	Movement of the Assembled Prefabricated Tower Scaffold	32

1 Safety First

1.1 Introduction

Please read this instruction manual carefully.

THIS INSTRUCTION MANUAL SHALL BE AVAILABLE AT THE LOCATION OF USE OF THIS MOBILE ACCESS TOWER.

THIS PRODUCT SHALL ONLY BE USED IN ACCORDANCE WITH THIS MANUAL.



FAILURE TO FOLLOW THESE INSTRUCTIONS MAY LEAD TO DEATH OR SERIOUS INJURY.

IF ANY ASPECT OF THESE INSTRUCTIONS CONFLICTS WITH LOCAL REGULATIONS PLEASE CONTACT WERNER UK SALES & DISTRIBUTION LTD. FOR ADVICE.

Please note that diagrams are for illustrative purposes only.

Instruction manuals are also available to download at www.minimaxtower.com

The MiniMax mobile aluminium tower is a light-weight scaffold tower used throughout the building and construction industry for both indoor and outdoor access solutions where a stable and secure platform is required. Ideal for maintenance and installation work or short-term access, the highly versatile towers provide a strong working platform for a variety of heights.

Verification and assessment documentation is held by Werner UK Sales and Distribution Ltd.

If you need further information, design advice, additional instruction manuals or any other help with this product, please contact Werner UK Sales & Distribution Ltd. on +44 (0)1621 745900 or email uk.customercare@wernerco.com.

Compliances



The MiniMax mobile tower system has been designed, tested, approved and certified to EN 1004-1:2020.

This instruction manual is in compliance with EN1298-IM-en.

1 Safety First

1.2 Tower Designation

EN 1004 3 6/6 XXXD H2

Design Code

Load Class (2 = 153kg/m² UDL, 3 = 204kg/m² UDL)

Max. Platform Height Outdoors (m)

Max. Platform Height Indoors (m)

Access Method

A = Stairway, B = Stair ladder, C = Inclined Ladder, D = Vertical Ladder

Clear Height Class (H1 = 1.85m, H2 = 1.90m)

1.3 Maintenance - storage – transport

- The MiniMax is robust and requires little maintenance.
- All components and their parts should be regularly inspected to identify damage, particularly to joints.
- Refer to the MiniMax Inspection Guidance for detailed inspection and maintenance advice, the guidance is available to download at: www.minimaxtower.com
- Threads, hinges, and brace latches may be lubricated with light oil. Ensure oil does not contaminate climbing or walking surfaces.
- Safety labels should be kept legible. Replacement labels are available from Werner UK Sales & Distribution Ltd.
- Surfaces should be kept reasonably free of dried paint, plaster etc.
- Use of solvents on wooden platform surfaces and plastic components should be avoided.
- Components should be stored in clean, dry conditions with due care to prevent damage.
- During transportation ensure components are not damaged by excessive strapping forces.

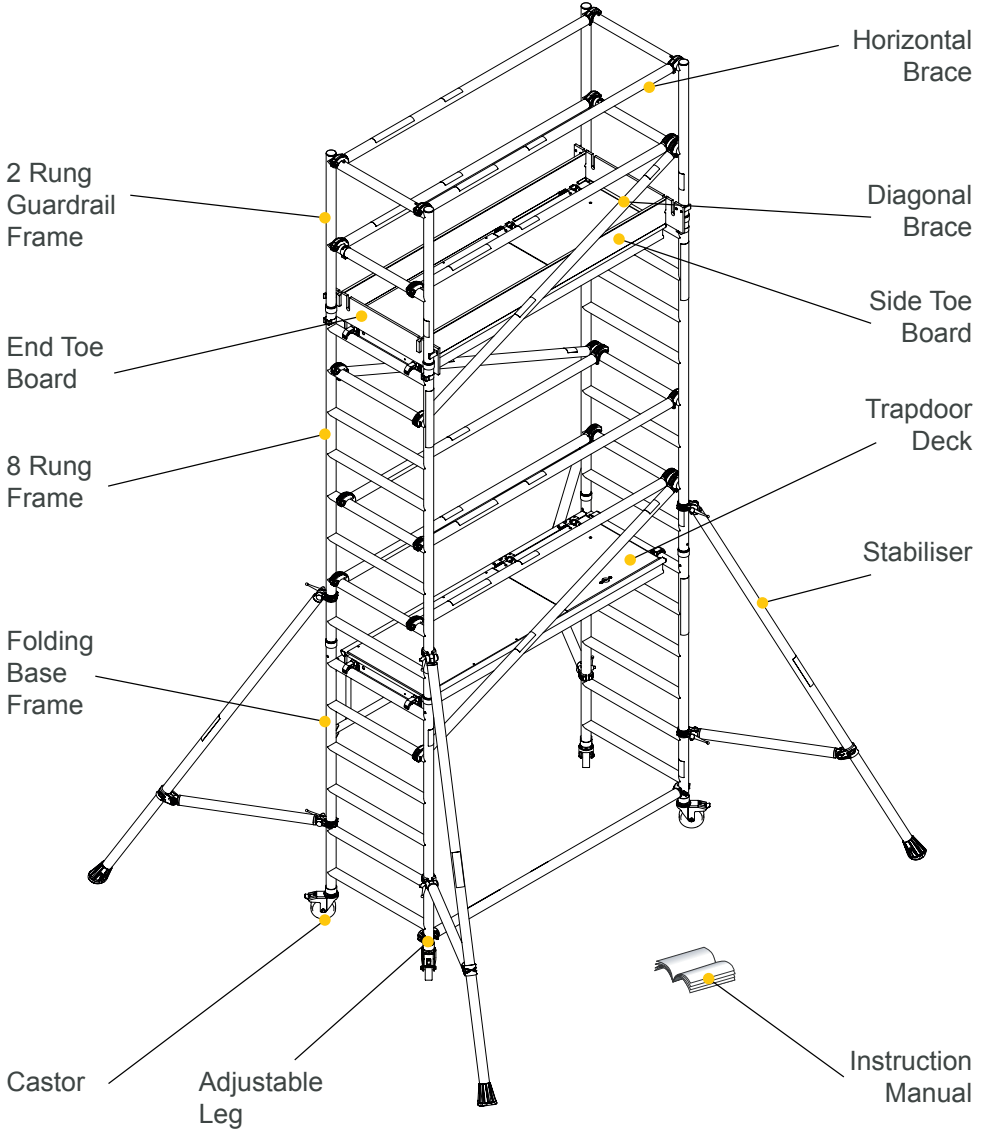
2 Building the Tower

2.1 Pre-Assembly Checks

- Check overhead that the area into which the structure is to be erected contains no obstructions, particularly electrical or radio radiation hazards. The structure is conductive.
- Ensure the ground on which the mobile access tower is to be erected is capable of supporting the tower in use.
- Check the surface is level within the 210mm range of the adjustable legs.
- Adjustable legs should only be used for levelling purposes and never to gain extra height.
- Ensure distance from the ground to first climbing rung is less than 400mm.
- Only climb the tower from the inside using the access method provided.
- Tower scaffolds are not designed to be lifted or suspended.
- This tower provides a work platform. It must not be used to access other structures.
- Ensure the safe working load on the structure is not exceeded.
- Tools and materials should be lifted using a reliable lifting material (e.g. a strong rope) employing a reliable knot (e.g. clove hitch) to ensure safe fastening and always lift within the footprint of the prefabricated tower scaffold (i.e. within the area bounded by the stabilisers).
- Check this manual is available and its contents familiar to all those involved.
- If assembling outdoors; check the forecast windspeed. The assembled tower is certified to wind forces equating to 27mph, but handling components under those conditions would be hazardous. Also consider the wind funnelling effect of nearby buildings.
- This structure is designed to be self-supporting under the loading condition requirements of EN 1004-1:2020 and does not require tying in. Consideration should be given to potential wind conditions if the tower is left unattended.

2 Building the Tower

2.2 Component Diagram



2 Building the Tower

2.3 Quantity Schedule

Quantity Schedule in Packs

		Internal or External Use				
		Composite Code	38060600	38061700	38063700	38065800
Pack Code	Pack	Working Height	2.6m	3.7m	5.7m	7.8m
		Platform Height	0.6m	1.7m	3.7m	5.8m
37051800	Base Pack Mk2		1	1	1	1
00062100	Horizontal Brace		3	3	3	3
37251800	2 Rung Guardrail Pack Mk2		-	1	1	1
34151800	2m Extension Pack		-	-	1	2
67040100	SP4 Stabiliser*		4	-	-	-
31751300	SP7 Stabiliser		-	4	4	-
31851300	SP10 Stabiliser		-	-	-	4
37951800	Adjustable Leg Pack**		1	1	1	1
39451800	Toe Board Pack Mk2		1	1	1	1
Tower Total Self-weight			62.6kg	70.9kg	107.7kg	164.5kg
Max. Exerted Leg Load			82.0kg	90.0kg	99.0kg	107.0kg

Quantity Schedule in Components

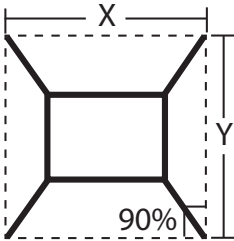
			Internal or External Use				
			Composite Code	38060600	38061700	38063700	38065800
Component Code	Component & Weight	Working Height	2.6m	3.7m	5.7m	7.8m	
		Platform Height	0.6m	1.7m	3.7m	5.8m	
00060000	Folding Base Frame Mk2	17.6kg	1	1	1	1	
37751800	Trapdoor Deck	11.8kg	1	1	2	3	
00061600	8 Rung Frame	7.0kg	-	-	2	4	
00061800	2 Rung Guardrail Frame	2.6kg	-	2	2	2	
00061000	Diagonal Brace	1.9kg	-	1	3	5	
00062100	Horizontal Brace	1.8kg	3	5	9	13	
00063700	Side Toe Board	2.5kg	2	2	2	2	
00062900	End Toe Board	1.0kg	2	2	2	2	
67040100	SP4 Stabiliser*	4.4kg	4	-	-	-	
31751300	SP7 Stabiliser	3.8kg	-	4	4	-	
31851300	SP10 Stabiliser	8.8kg	-	-	-	4	
33551300	Adjustable Leg**	1.1kg	4	4	4	4	

*SP4 stabiliser can be substituted for SP7 stabiliser at 1.7m and 3.7m platform heights.

**Adjustable legs only required if ground is uneven or sloping.

2 Building the Tower

2.4 Stabilisers



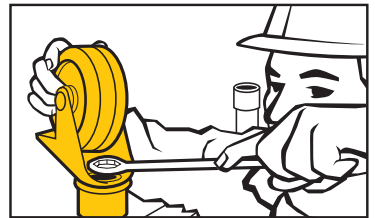
Platform Height	X	Y
0.6m	2.06m	2.06m
1.7m	2.77m	2.96m
3.7m	2.77m	2.96m
5.8m	4.42m	4.42m

SP4 and SP10 stabilisers must always be fully extended.

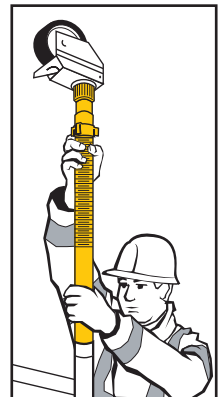
Position the lower clamp so that the arm is as close to horizontal as possible. Adjust the position of the top clamp to ensure the stabiliser foot is in firm contact with the ground. Ensure the clamps are secure.

2.5 Adjustable Legs

If the ground is uneven or sloping you will need to fit adjustable legs. Turn the base unit upside down so that the wheels are facing upwards. We recommend that two persons are required to ease the process. Using a 19mm spanner loosen the fixing bolt and remove the castor from the base.



Follow the instructions in the adjustable leg pack to change the large castor spigot to the smaller one supplied in the pack. Insert the new castor into an adjustable leg and then retighten the fixing bolt with the spanner, following the instructions. Repeat this process for the other castors and adjustable legs. Insert the four leg and castor assemblies into the base unit.



Turn the base the correct way up with the wheels on the ground. Use a spirit level to check the base unit is level. Adjust the legs as necessary, to level the base unit.

Important - Only use the adjustable legs to level the base and not to gain extra height.

2 Building the Tower

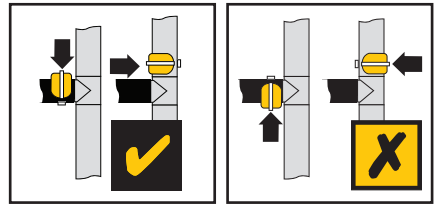
2.6 Assembly

This tower structure must be assembled, and components oriented, in accordance with this instruction manual. Deviation from this instruction manual is not permitted.



THIS TOWER MUST NOT BE USED AS AN ANCHOR POINT FOR PERSONAL FALL PROTECTION EQUIPMENT.

- No tools are required for assembly.
- The assembly uses the 3T (Through the Trapdoor) method that provides collective fall protection.
 - From the sitting position in the trapdoor opening fit all four horizontal guardrails before standing on the platform.
 - Fit braces in the locations described and ensure the claws are locked.

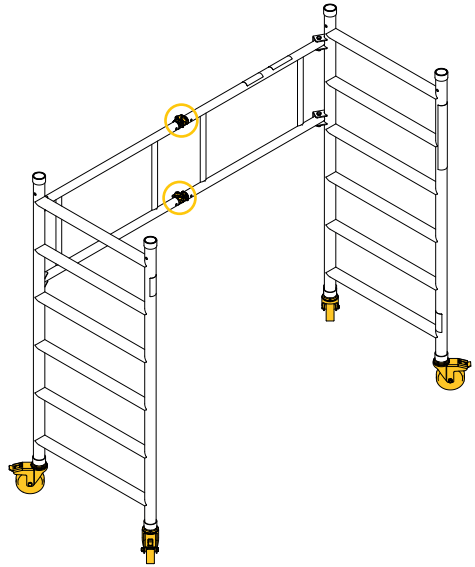


- The tower may be assembled by a single person, but it is recommended that two or more are used to pass up components on the taller assemblies.
- Components must be lifted within the footprint of the tower using a reliable method such as a strong rope with a clove hitch knot.
- Castor brakes should be locked as soon as the tower base is in position.
- The tower base should be levelled to within 0.6° before continuing the assembly.
- The adjustable legs are for levelling the tower only and not to be used to gain extra height.
- Ensure when the base is levelled the distance from the ground to the first climbing rung is less than 400mm.
- Stabilisers of the size specified in the quantity schedule should be fitted at the earliest opportunity.

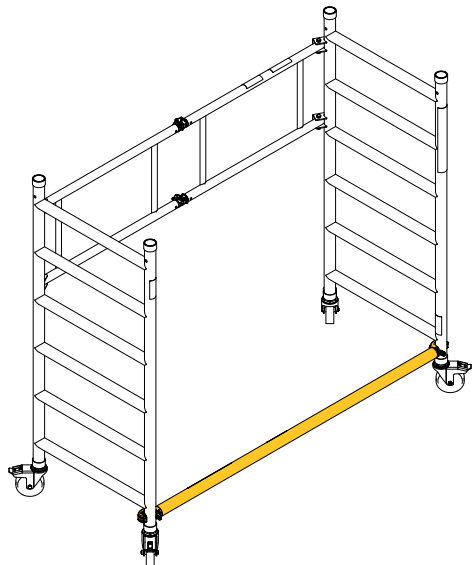
2 Building the Tower

2.6.1 Assembly Procedure for 0.6m Tower

1 Ensure brakes on castors of one end frame are released. Engage locks on rear folding frame. Ensure all castor brakes are engaged.

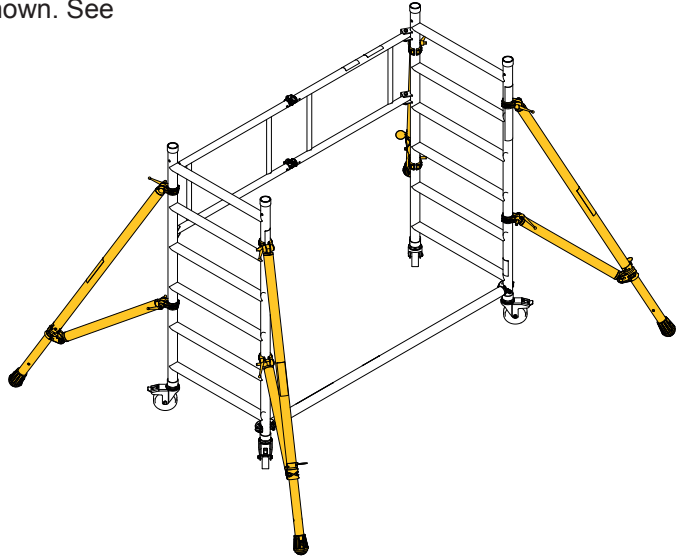


2 Fit horizontal brace in position shown. Check tower is square and level.

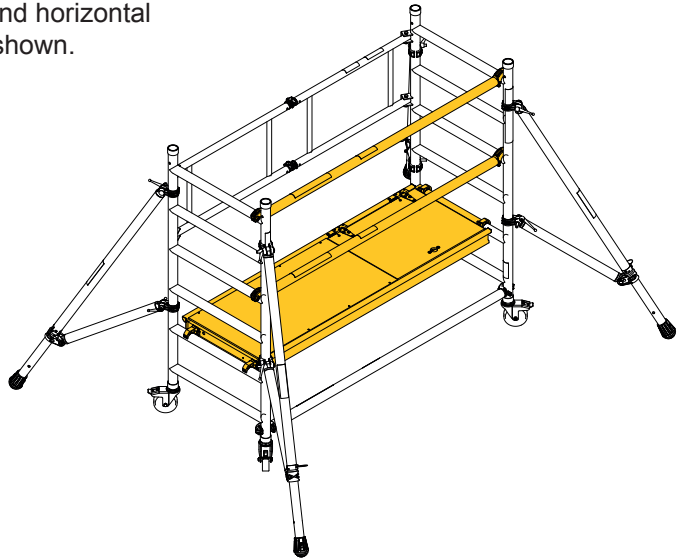


2 Building the Tower

- 3** Fit stabilisers as shown. See page 7 for details.



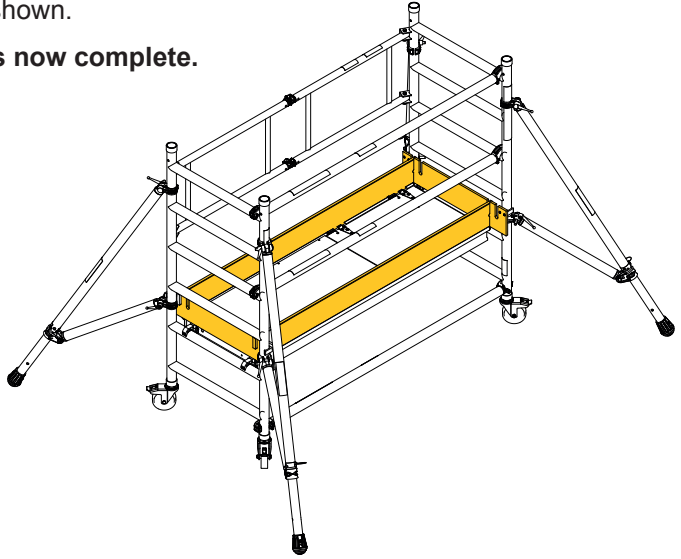
- 4** Fit trapdoor deck and horizontal braces in position shown.



2 Building the Tower

5 Fit toe boards as shown.

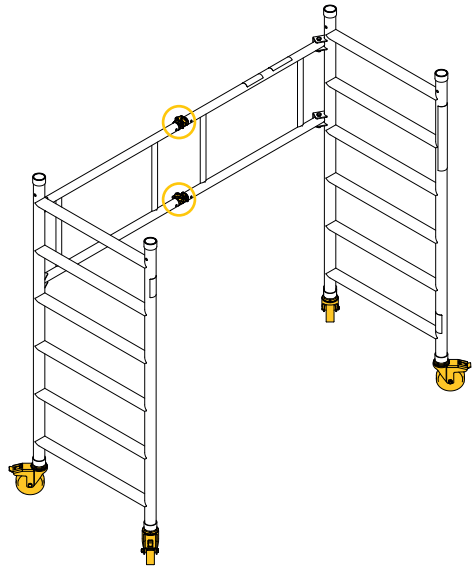
The 0.6m tower is now complete.



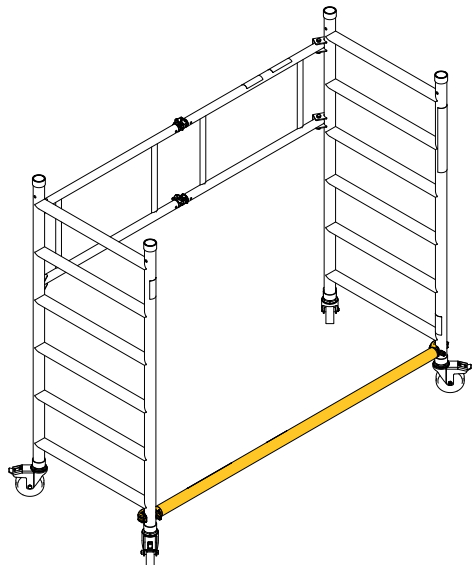
2 Building the Tower

2.6.2 Assembly Procedure for 1.7m Tower

1 Ensure brakes on castors of one end frame are released. Engage locks on rear folding frame. Ensure all castor brakes are engaged.

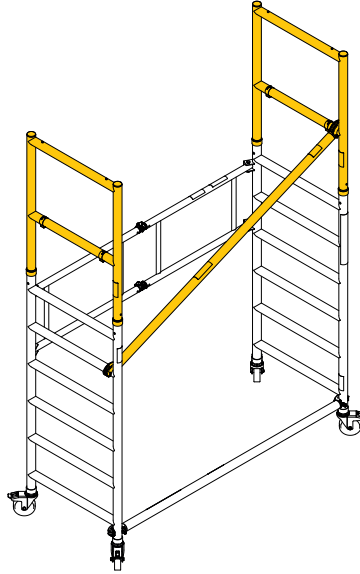


2 Fit horizontal brace in position shown. Check tower is square and level.

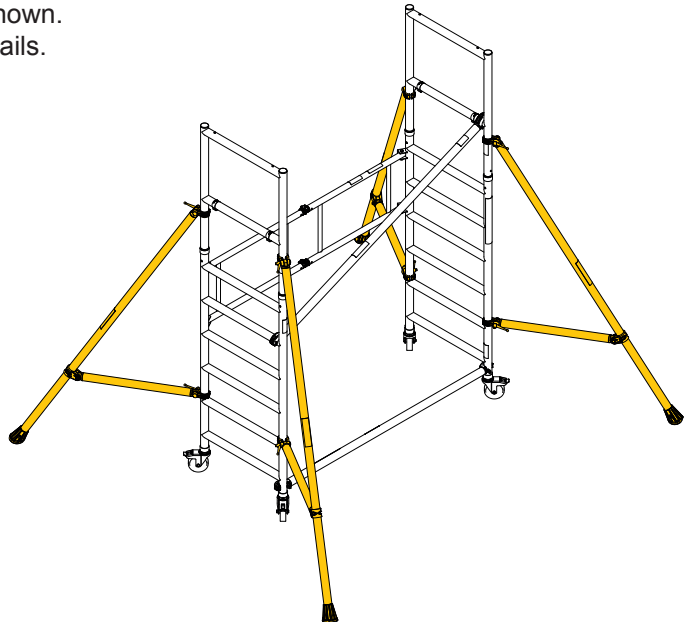


2 Building the Tower

- 3** Fit 2 rung guardrail frames as shown. Fit diagonal brace in position shown.

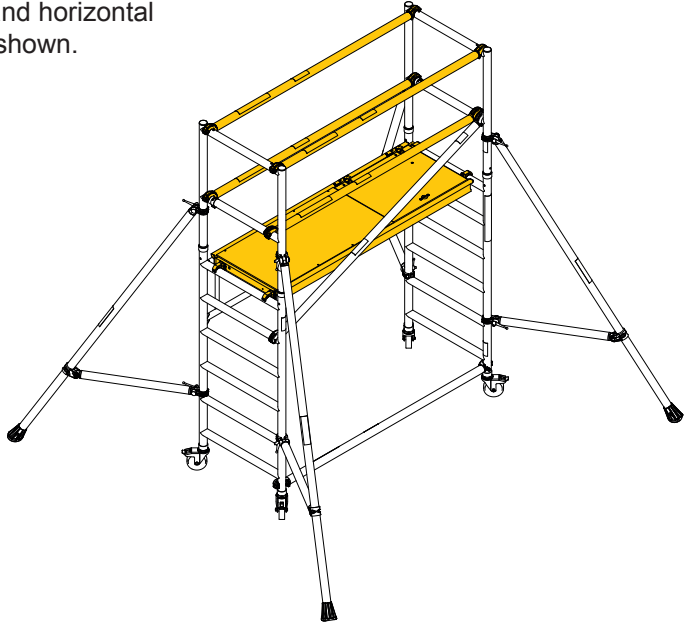


- 4** Fit stabilisers as shown. See page 7 for details.

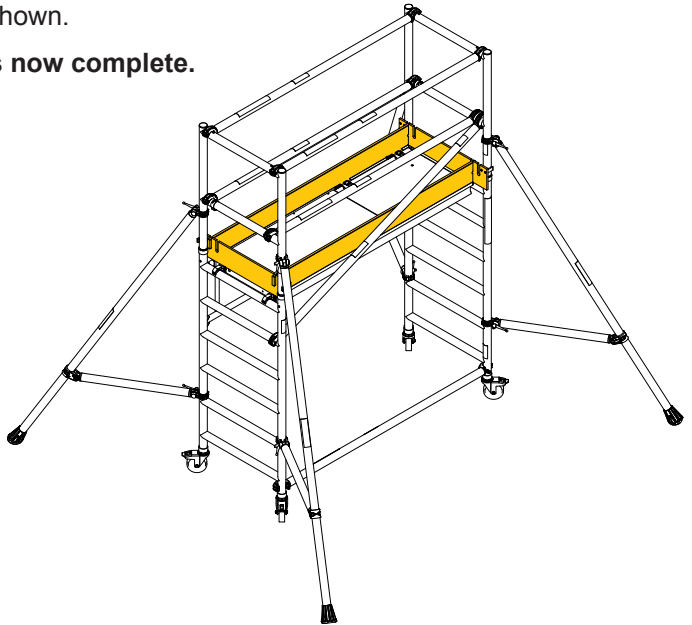


2 Building the Tower

- 5** Fit trapdoor deck and horizontal braces in position shown.



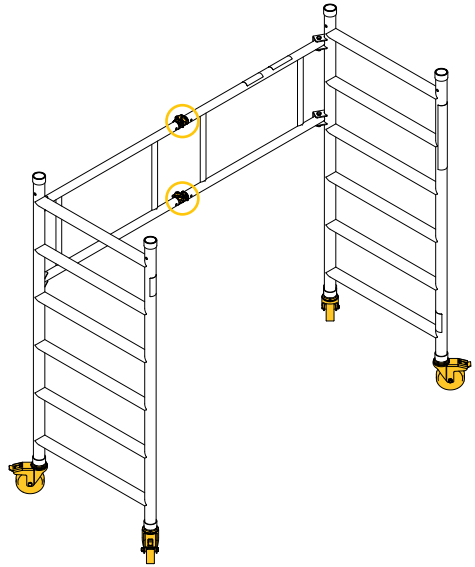
- 6** Fit toe boards as shown.
The 1.7m tower is now complete.



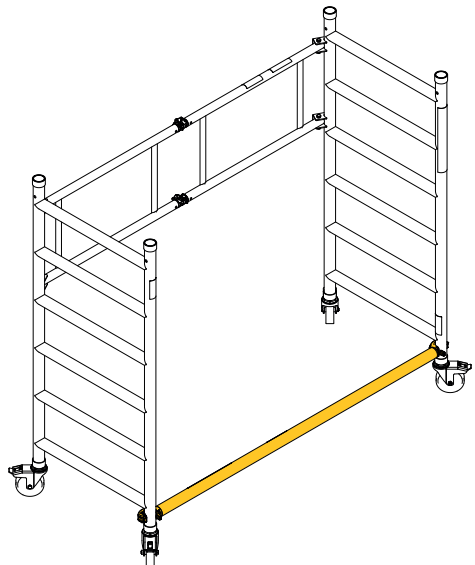
2 Building the Tower

2.6.3 Assembly Procedure for 3.7m Tower

1 Ensure brakes on castors of one end frame are released. Engage locks on rear folding frame. Ensure all castor brakes are engaged.

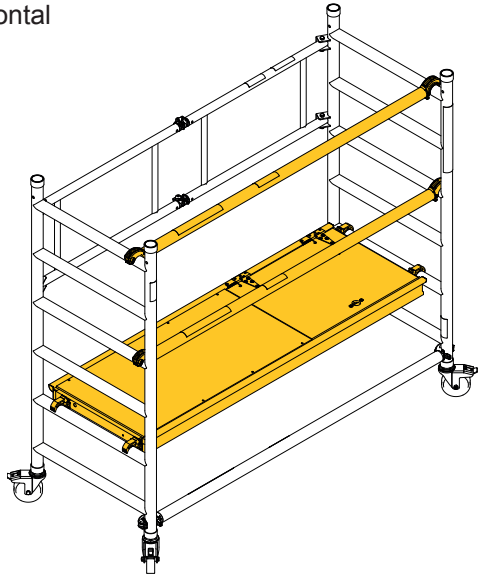


2 Fit horizontal brace in position shown. Check tower is square and level.

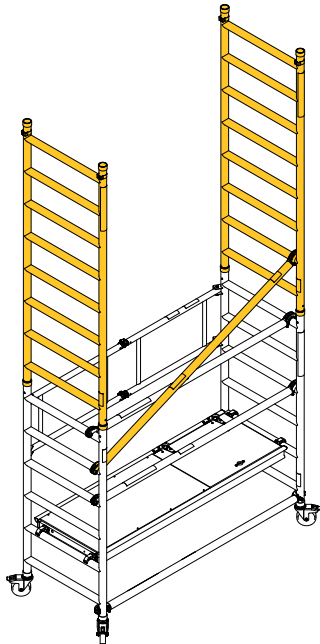


2 Building the Tower

- 3** Fit trapdoor deck and horizontal braces in position shown.

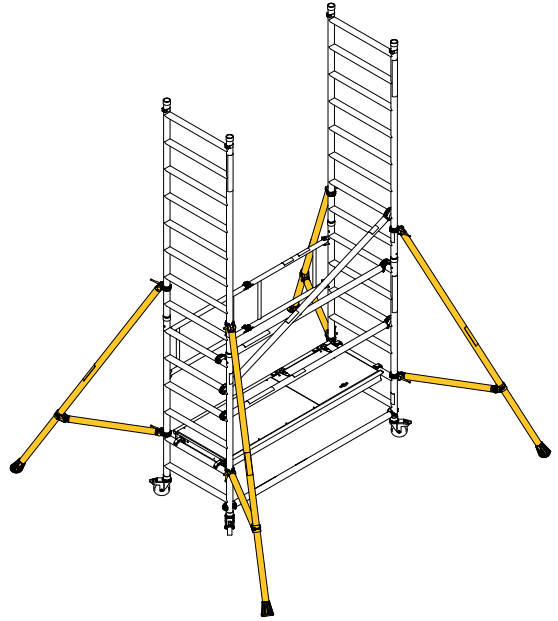


- 4** Fit 8 rung frames as shown. Fit diagonal brace in position shown.

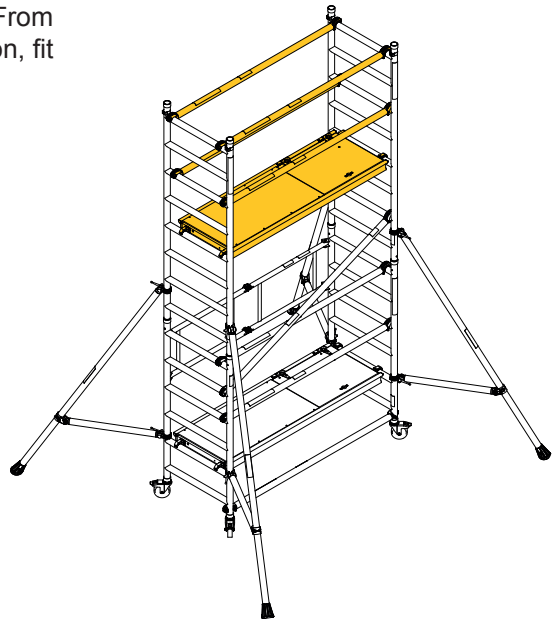


2 Building the Tower

- 5** Fit stabilisers as shown. See page 7 for details.

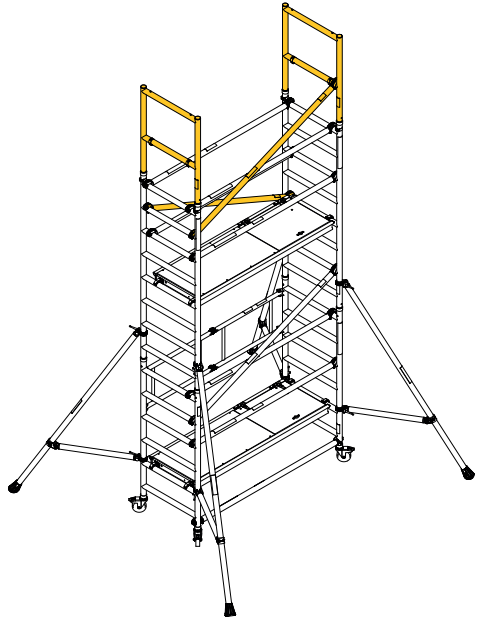


- 6** Fit trapdoor deck as shown. From the protected trapdoor position, fit horizontal braces as shown.



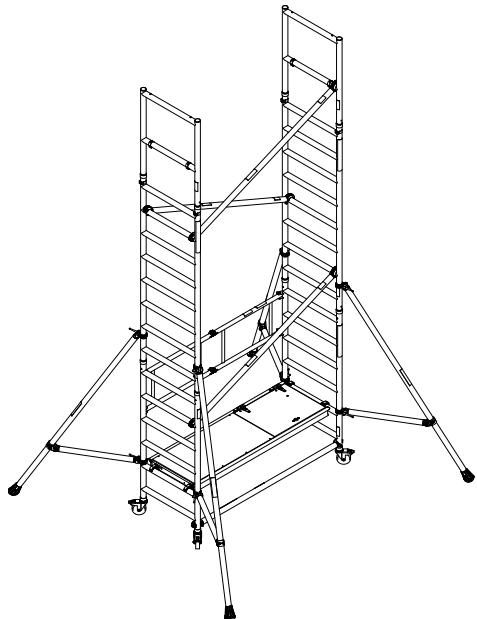
2 Building the Tower

7 Fit 2 rung guardrail frames as shown. Fit diagonal braces in position shown.



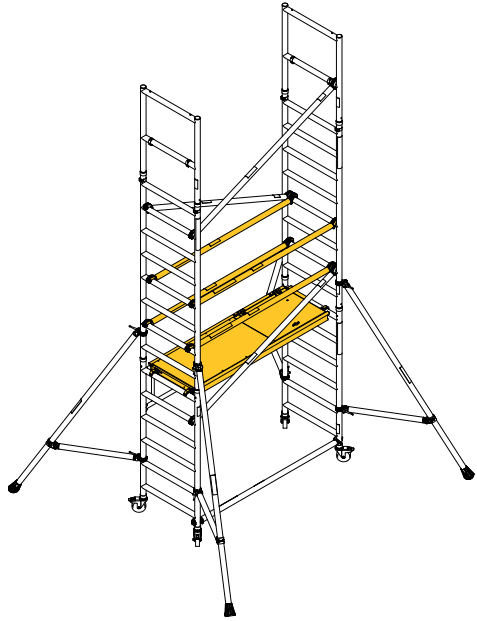
8 Reposition trapdoor decks and horizontal braces.

Starting with the uppermost platform, remove the horizontal braces from the protected trapdoor position, then remove the trapdoor deck as shown.

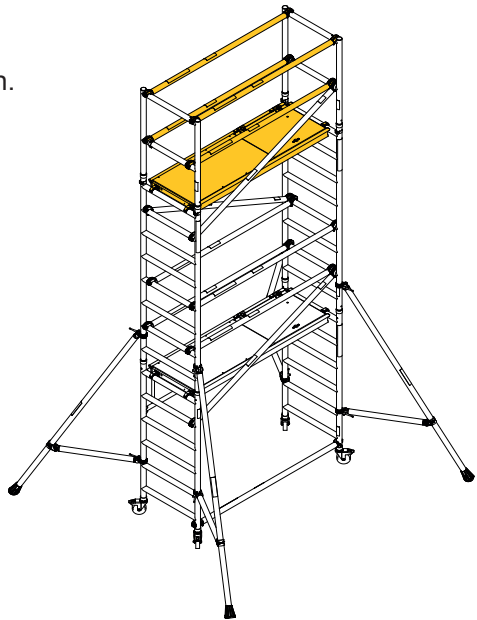


2 Building the Tower

9 Reposition the trapdoor deck as shown. From the protected trapdoor position, fit horizontal braces as shown.



10 Fit the trapdoor deck as shown. From the protected trapdoor position, fit horizontal braces as shown.

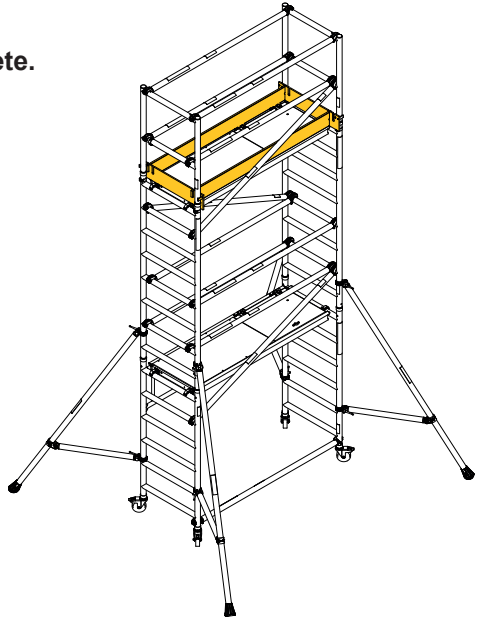


2 Building the Tower

11

Fit toe boards as shown.

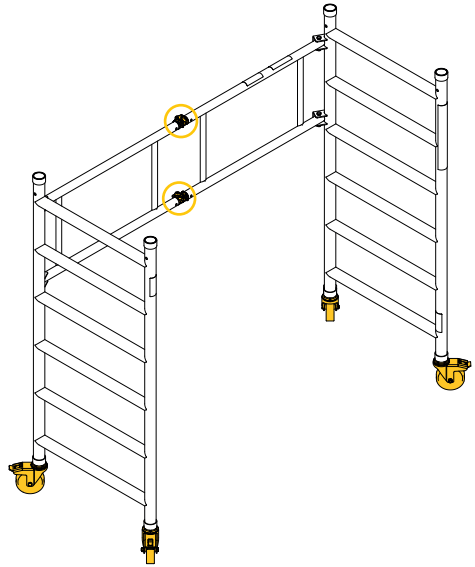
The 3.7m tower is now complete.



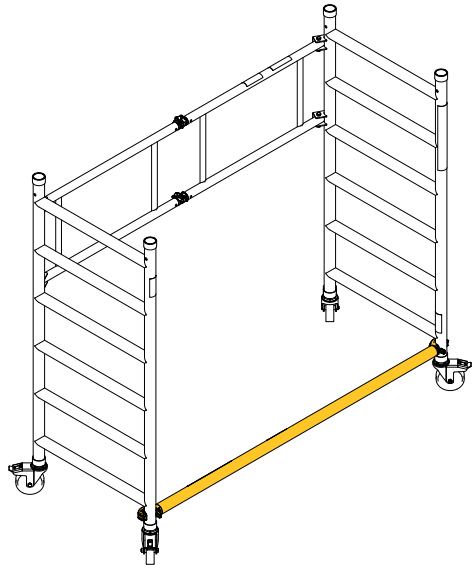
2 Building the Tower

2.6.4 Assembly Procedure for 5.8m Tower

1 Ensure brakes on castors of one end frame are released. Engage locks on rear folding frame. Ensure all castor brakes are engaged.

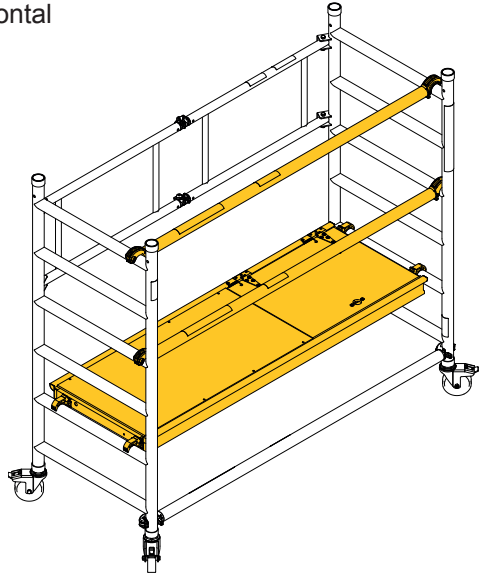


2 Fit horizontal brace in position shown. Check tower is square and level.

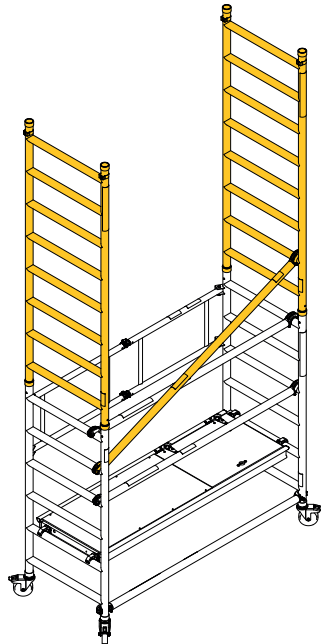


2 Building the Tower

- 3** Fit trapdoor deck and horizontal braces in position shown.

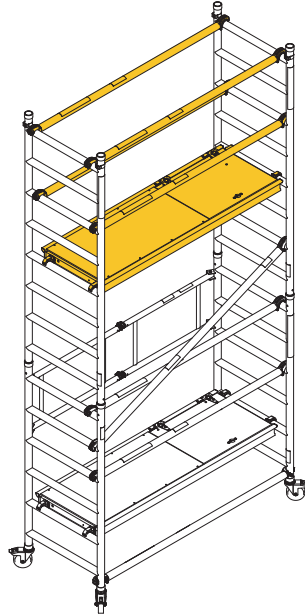


- 4** Fit 8 rung frames as shown. Fit diagonal brace in position shown.

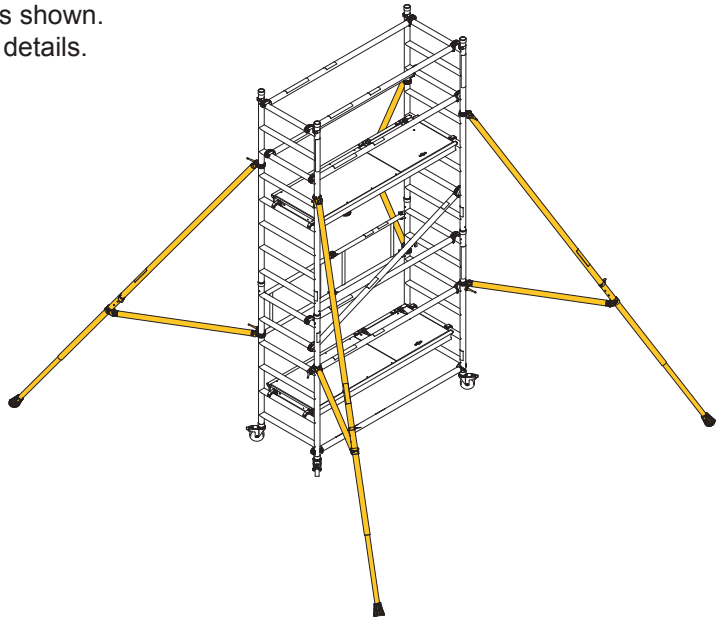


2 Building the Tower

- 5** Fit trapdoor deck as shown.
From the protected trapdoor position, fit horizontal braces as shown.

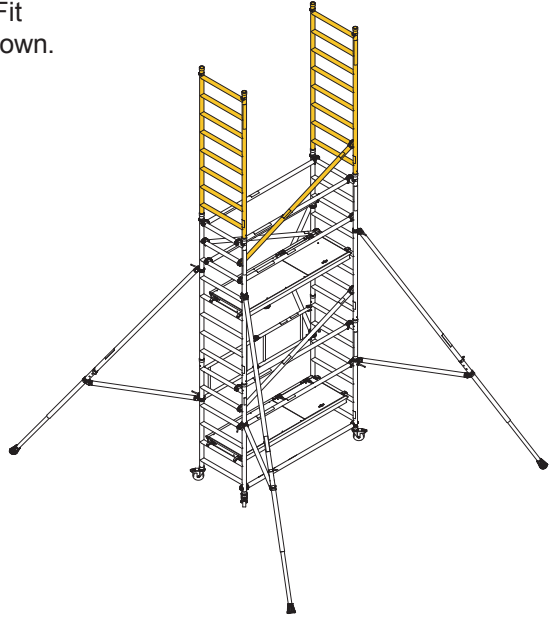


- 6** Fit stabilisers as shown.
See page 7 for details.

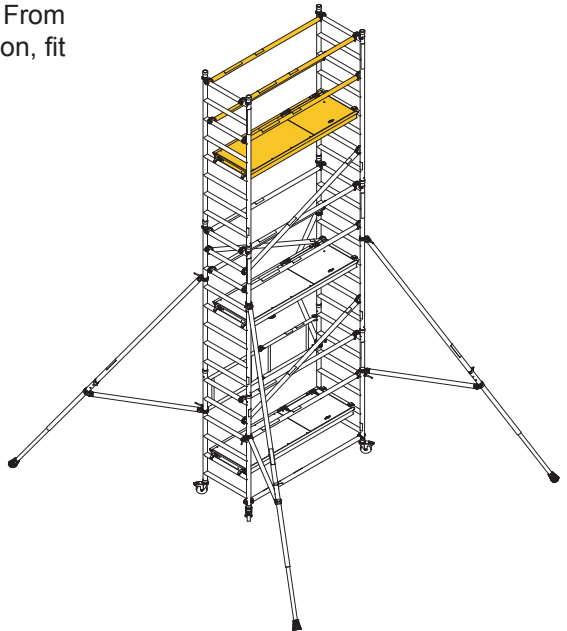


2 Building the Tower

- 7** Fit 8 rung frames as shown. Fit diagonal braces in position shown.



- 8** Fit trapdoor deck as shown. From the protected trapdoor position, fit horizontal braces as shown.



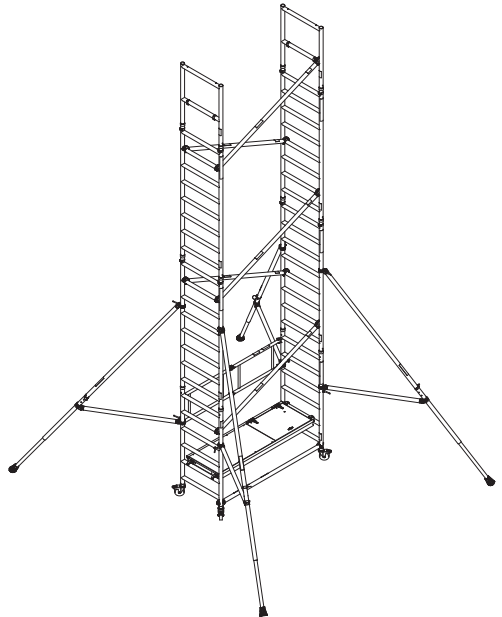
2 Building the Tower

9 Fit 2 rung guardrail frames as shown. Fit diagonal braces in position shown.



10 Reposition trapdoor decks and horizontal braces.

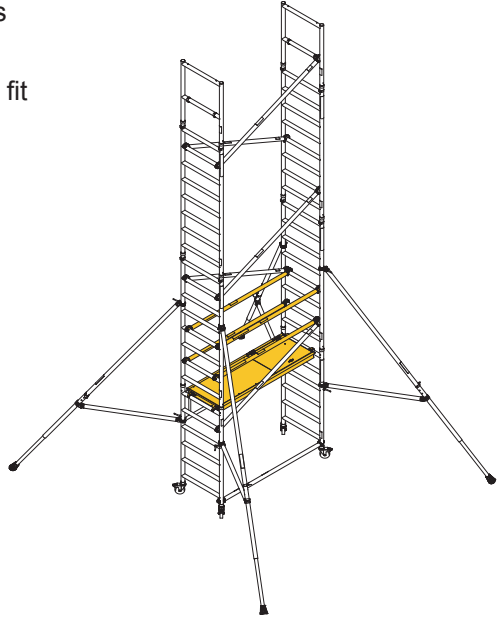
Starting with the uppermost platform, remove the horizontal braces from the protected trapdoor position, then remove the trapdoor deck as shown. Repeat for the intermediate horizontal braces and trapdoor deck.



2 Building the Tower

- 11** Reposition the trapdoor deck as shown.

From the protected trapdoor position, fit horizontal braces as shown.

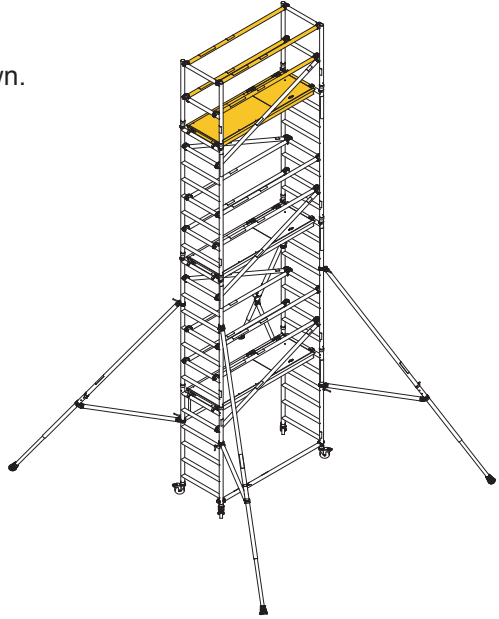


- 12** Fit the trapdoor deck as shown.
From the protected trapdoor position, fit horizontal braces as shown.

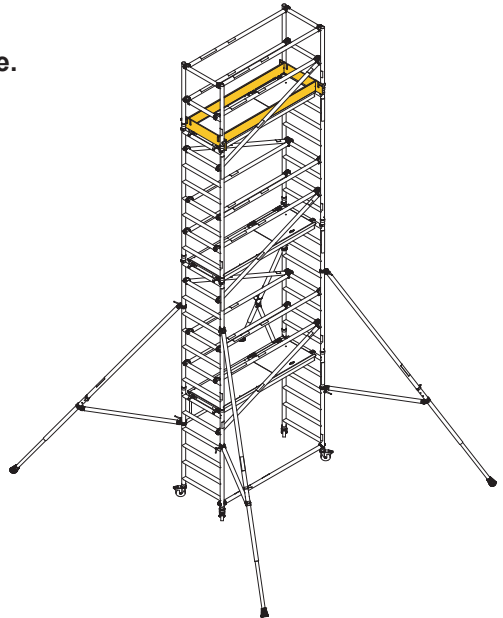


2 Building the Tower

- 13** Fit the trapdoor deck as shown.
From the protected trapdoor position, fit horizontal braces as shown.



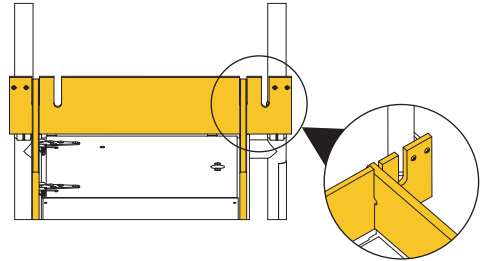
- 14** Fit toe boards as shown.
The 5.8m tower is now complete.



2 Building the Tower

2.6.5 Fitting Toe Boards

Start with the end boards which have red plastic clips. There are two slots depending on which side you position the diagonal brace. Clip into correct slots, as shown, ensuring that no large objects can fall through and that the trapdoor can open with ease.



2.7 Dismantling

To dismantle the tower, reverse the assembly procedure.

When removing the guardrails unlock the four claws furthest from the trapdoor and return immediately to the protected position within the trapdoor. The other claws can then be unlocked, and the guardrails removed from the tower.










3 Using the Tower

3.1 Safety Checklist

This inspection must be carried out before initial use, after moving the tower, if any environmental condition change that may affect the tower and at regular intervals determined by local regulations.

Local regulations may also specify other information to be supplied to the user. These regulations must be followed.

3.2 Pre-use Checklist

- | | |
|---|---|
| Tower upright and level to within 0.6° |  |
| Castor brakes locked |  |
| All interlock clips engaged |  |
| Braces/Guardrails correctly positioned |  |
| All claws latched |  |
| All platform wind latches engaged |  |
| Correct stabiliser size fitted and positioned |  |
| Toe boards fitted to working platform |  |
| Instruction manual available to user |  |
-

3 Using the Tower

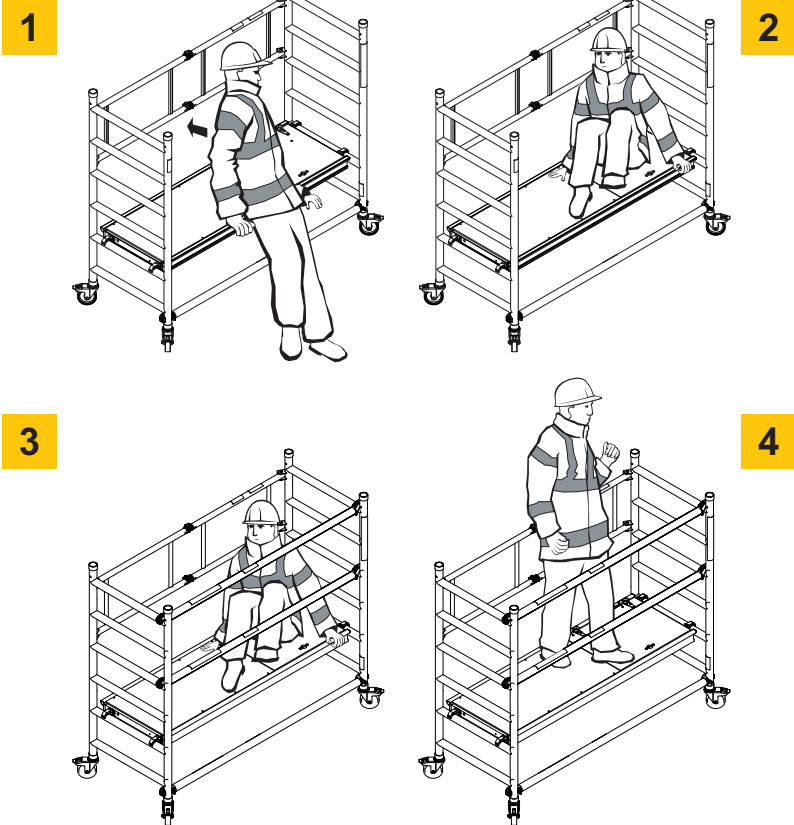
3.3 Use

- This tower must not be used as an anchor point for personal fall arrest equipment.
- The tower must only be climbed on the inside, using the access method specified.
- This tower provides a work platform. It must not be used to access other structures.
- Raising and lowering tools and materials must only be conducted within the tower footprint.
- Ensure the safe working load on the structure is not exceeded. See tower designation.
- Do not use boxes, stepladders or other objects to gain extra height.
- The adjustable legs are for levelling the tower only. They must not be used to gain extra height.
- Beware of horizontal forces that might cause instability. Maximum horizontal force = 30kg.
- Beware of high winds. This tower has been assessed as a free-standing structure for wind loads equating to 27mph (43kph, 12m/s). If greater windspeeds are forecast the tower must be moved to a sheltered location or dismantled while it is still safe to do so.
- Sheets, tarpaulins, or signage must not be attached to this tower outdoors.

3 Using the Tower

How to access the 0.6m Platform Height

Climb onto the platform in the sequence shown. From the seated position fit horizontal braces in the positions indicated. Do not stand on the platform until the guardrails are in place.



Important

- Never climb up the outside of the base unit.
- Never over reach - get down and reposition the base unit platform.

Note: Stabilisers have been omitted for image clarity.

3 Using the Tower

3.4 Movement of the Assembled Prefabricated Tower Scaffold

Ensure gloves or other suitable hand protection is worn.

Before

- Survey the route to be taken. Assess the ground condition/slope and any overhead obstructions or hazards.
- Tower stability will be improved by reducing the height before movement .
- If there is any doubt about the safety of the move the tower must be dismantled and reassembled in the new location.
- This tower is not designed to be lifted or suspended.
- Ensure there are no persons, tools, or materials on the tower.
- Release the castor brakes.
- Release the stabiliser top clamp to allow the feet to be raised a maximum of 25mm. Re-tighten the clamps.

During

- The tower must be moved only by manual effort, pushing at the base of the tower.
- Constant attention must be given to the position of the castors, stabiliser feet and the top of the tower.
- If there is any resistance to movement, stop and investigate the reason before continuing.

After

- As soon as the move is complete; lock the castor brakes, lower the stabiliser feet, and perform the pre-use inspection.



For further information and support for the
MiniMax or any other products and
services, please contact:

Werner UK Sales & Distribution Ltd.
Blackwater Trading Estate,
The Causeway, Maldon,
Essex, CM9 4LJ,
United Kingdom

WernerCo Hungary Kft.
6000 Kecskemét,
Szt. Istvan Krt. 19.

☎ +44 (0)1621 745900
✉ uk.customercare@wernerco.com
🌐 minimaxtower.com

Werner UK Sales and Distribution Ltd.
is a manufacturer member of:

