

Technical Data Sheet

Shower Systems

TAVISTOCK

No.	Description	Code	Fixings Included
1	Axiom Triple Function Shower System w/ Head and Handset	SAX2750	YES

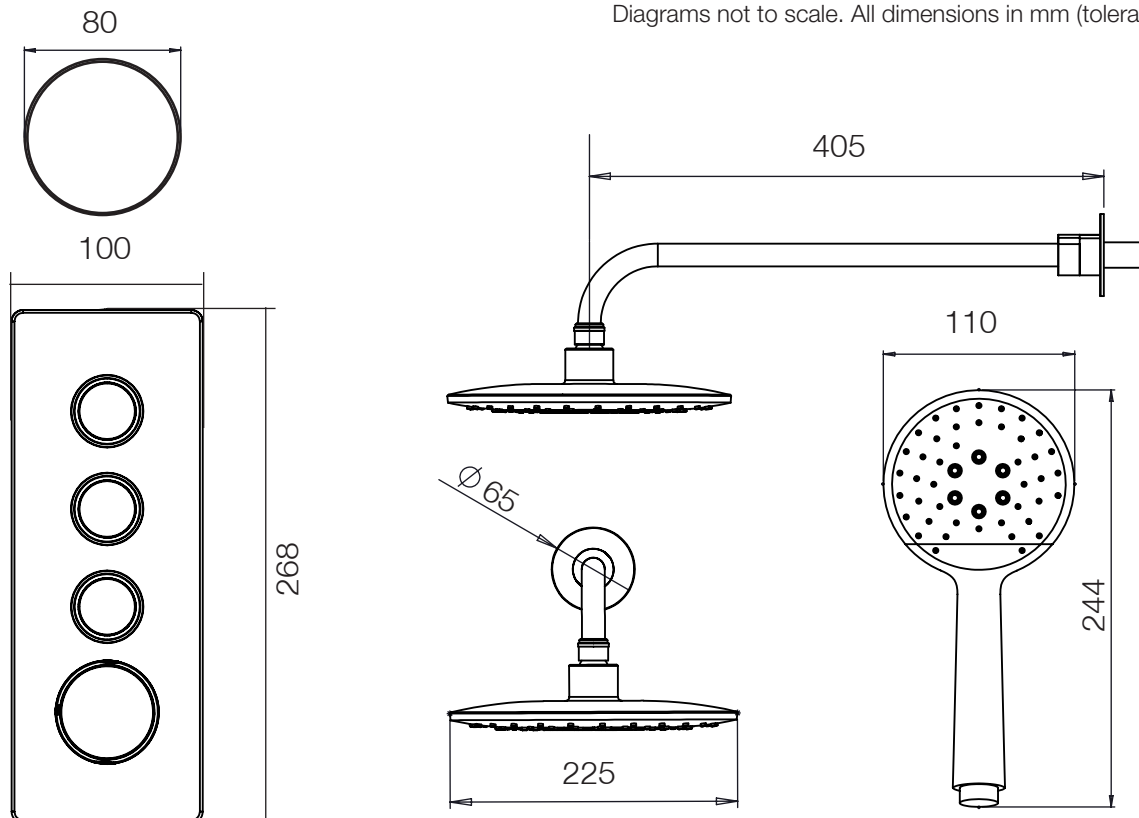


Inlet Pressure	Flow Rate (l/min)
1bar	10.1
2bar	15
3bar	18.4
4bar	20.5
5bar	22.5

Flow from valve may vary depending on accessories and domestic supply.

Dimensions - Overview

Diagrams not to scale. All dimensions in mm (tolerance of +/-5mm)



FAQs

How long is the shower hose? 1.5m

What is the minimum pressure for the valve? 1.0bar

What is the valve connection size? 1/2" BSP suitable for 15mm pipework