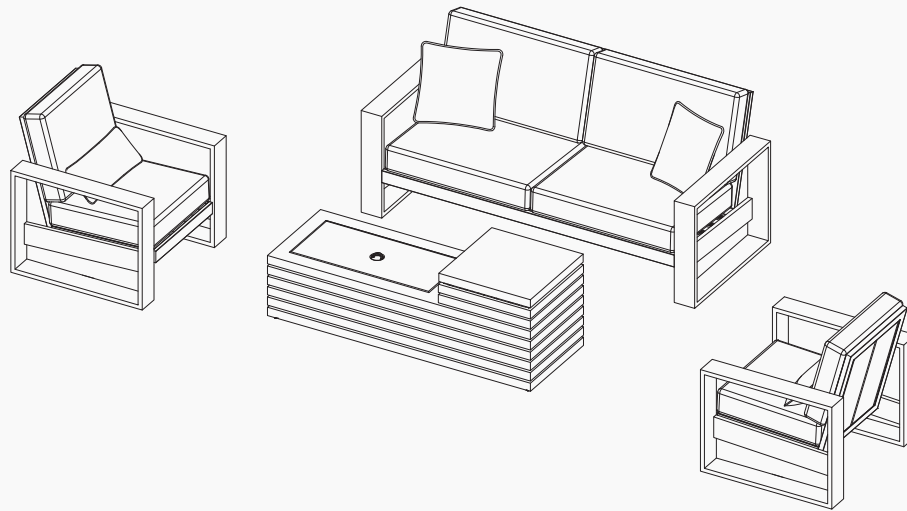


4 Piece Fire Deep Seating Set

ITM. / ART. # 450974

IMPORTANT, RETAIN FOR FUTURE REFERENCE: READ CAREFULLY
THE ITEM IS INTENDED FOR OUTDOOR DOMESTIC USE ONLY, NOT FOR COMMERCIAL USE.



Questions, problems, missing parts?

Before returning to your retailer, call our customer service department at 1-888-690-9800 (8:00 a.m. – 5:00 p.m. PT / 11:00 a.m. – 8:00 p.m. ET, Monday – Friday. English and Spanish) or email us at service@sunvilla.com.

Preparation

Before beginning to assemble this product, make sure all parts are present. Compare parts with package contents list and hardware contents list. If any parts are missing or damaged, do not attempt to assemble this product. Stop and call our customer service center.



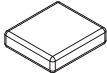
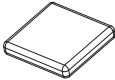

Estimated Assembly Time: 45 minutes (2 persons). Tools Required for Assembly: Wrench (included).




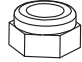

⚠ Safety Information

Please read and understand this entire manual before attempting to assemble or install the product. It should not be used as a toy or tool. Children should not engage in the operation, assembly, removal, or disassembly of the product.

Chair Parts List

⚠ WARNING: To avoid damage to your new patio furniture, please use either the carton or another soft surface such as carpet as a working surface to prevent product damage during assembly.

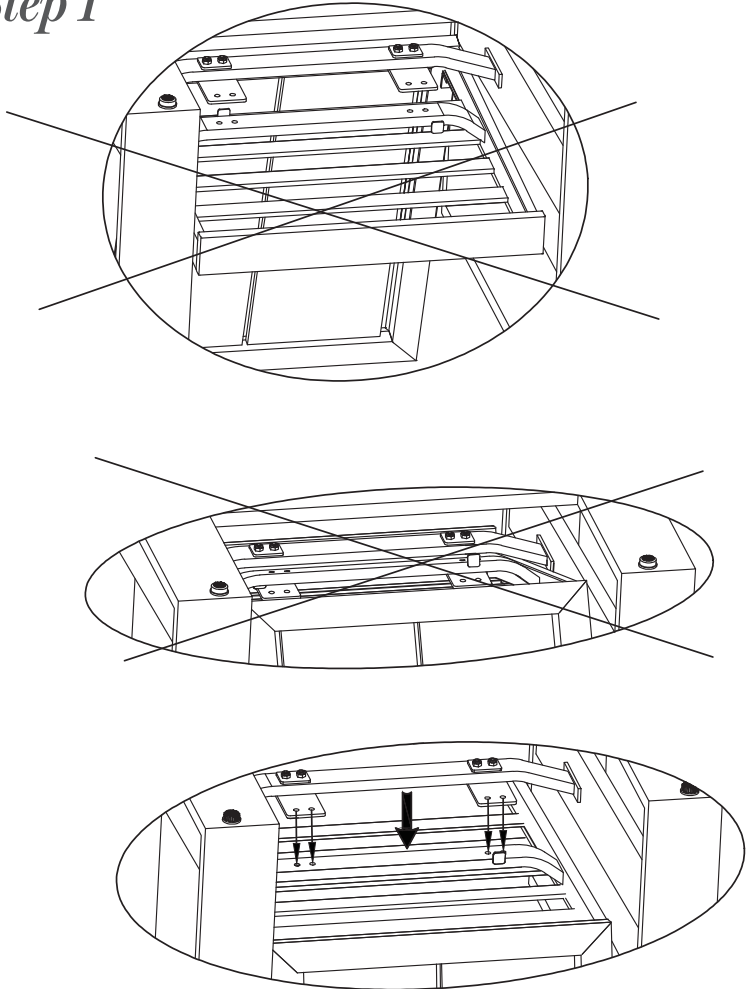
PART NO.	DESCRIPTION	QTY
A	 Chair Seat	2
B	 Chair Base	2
C	 Seat Cushion	2
D	 Back Cushion	2
E	 Lumbar Pillow	2

PART NO.	DESCRIPTION	QTY
AA	 M8x45 Bolt	8
BB	 Washer Plate	8
CC	 Washer	8
DD	 Nut	8
EE	 Wrench	2

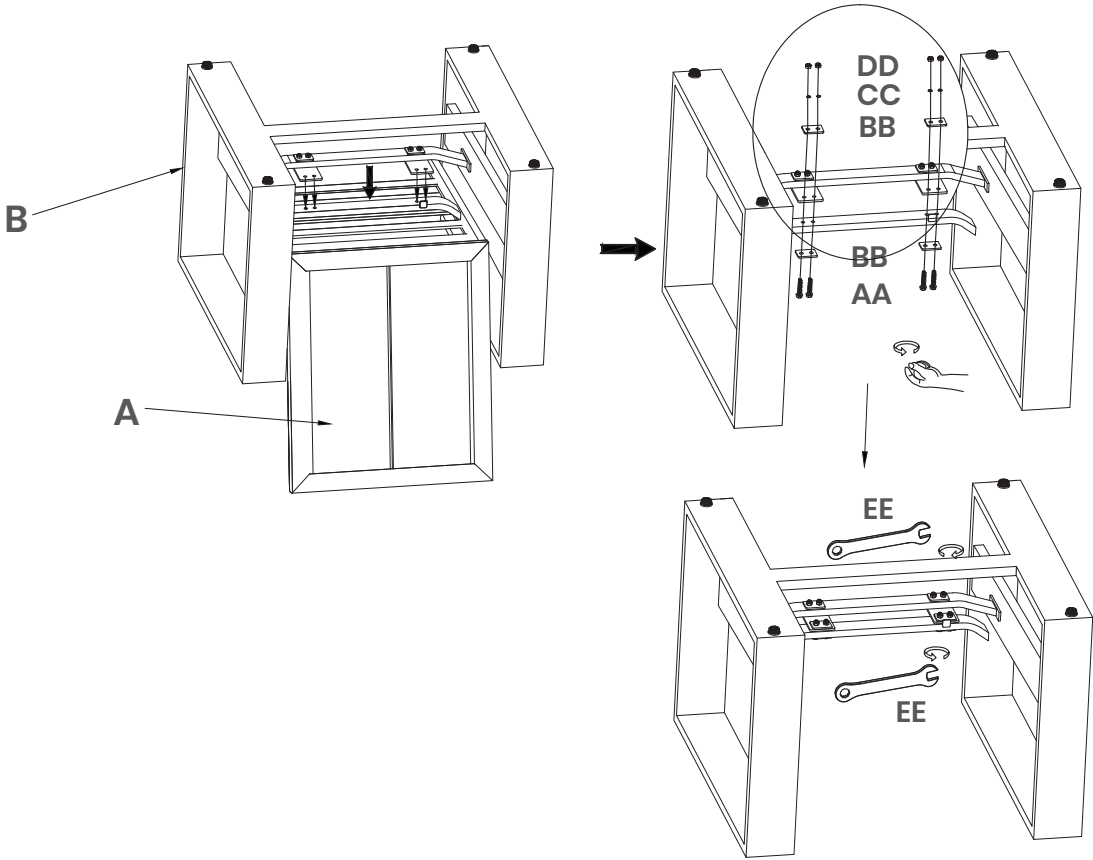
IMPORTANT: Read carefully and retain for future reference.

Chair Assembly

Step 1

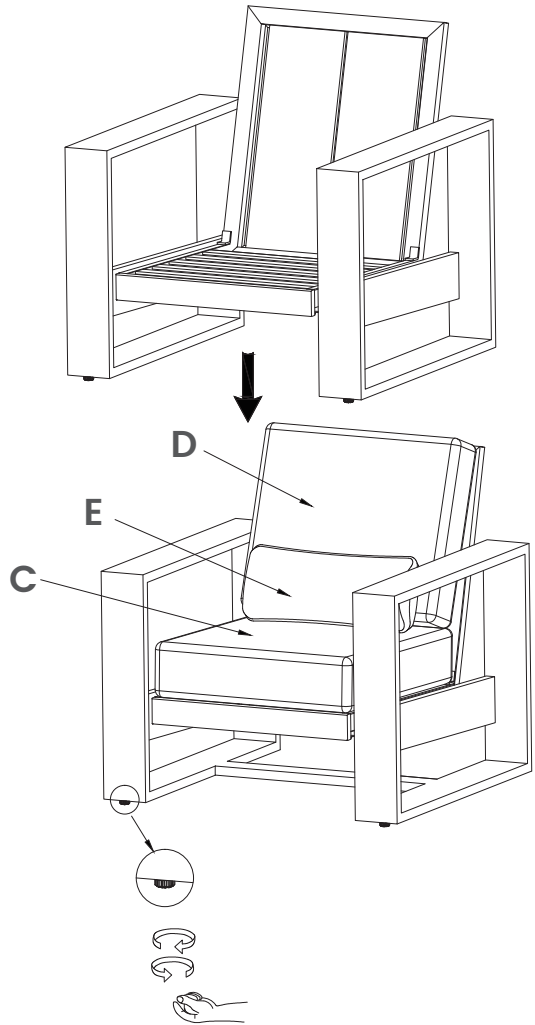


Step 2

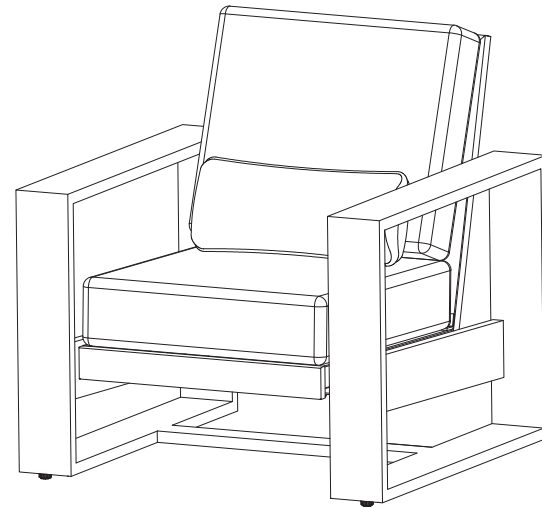


Chair Assembly (cont.)

Step 3

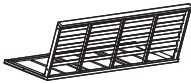
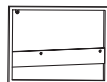
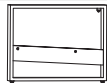

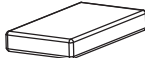
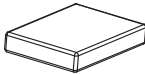








Step 4



Sofa Parts List

⚠ WARNING: To avoid damage to your new patio furniture, please use either the carton or another soft surface such as carpet as a working surface to prevent product damage during assembly.

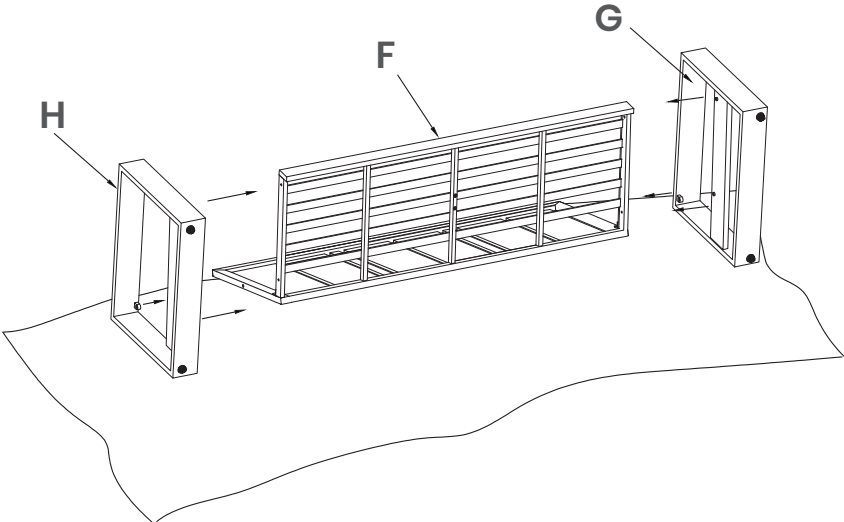
PART NO.	DESCRIPTION	QTY
F	 Sofa Seat	1
G	 Left Arm	1
H	 Right Arm	1
I	 Middle Leg	1
J	 Back Cushion	2
K	 Seat Cushion	2
L	 Pillow	2

PART NO.	DESCRIPTION	QTY
FF	 M8x30 Bolt	2
GG	 M8x40 Bolt	4
HH	 M8x20 Bolt	2
EE	 Wrench	1
II	 Hex Wrench	1

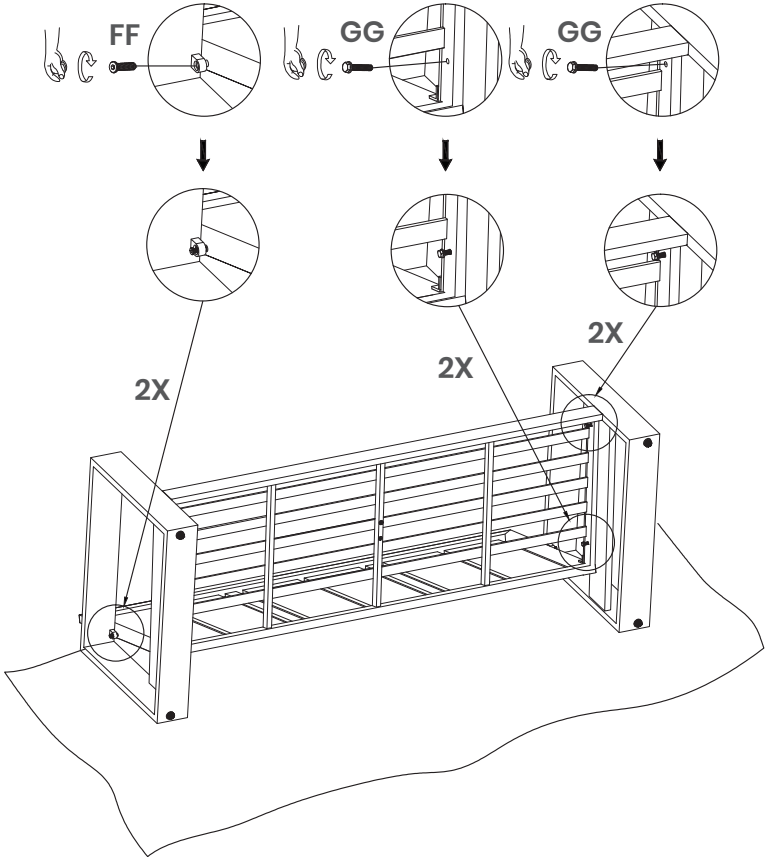
IMPORTANT: Read carefully and retain for future reference.

Sofa Assembly

Step 1

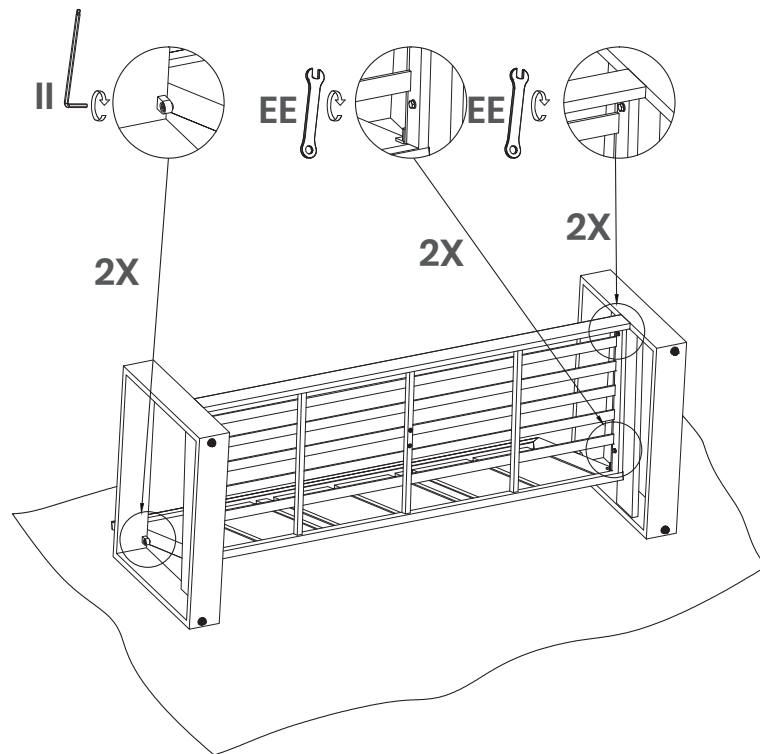


Step 2

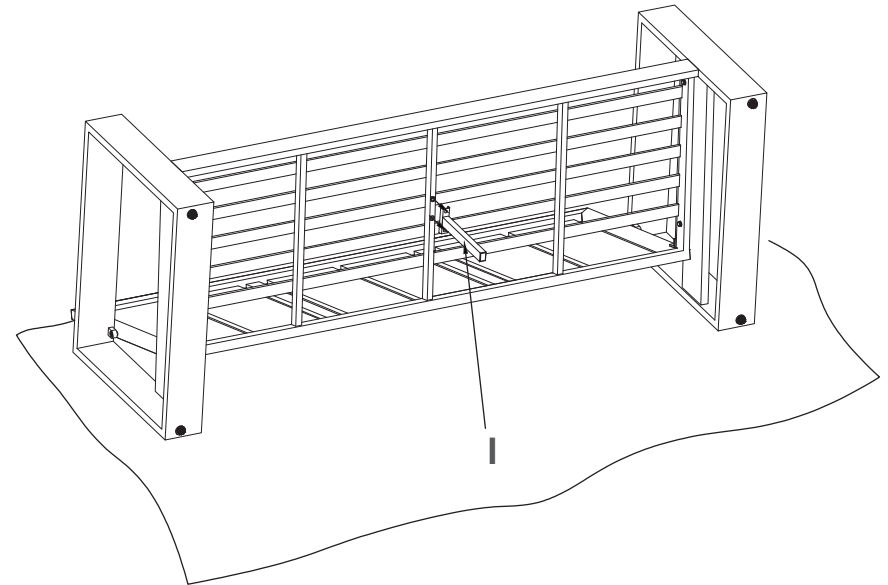


Sofa Assembly (cont.)

Step 3

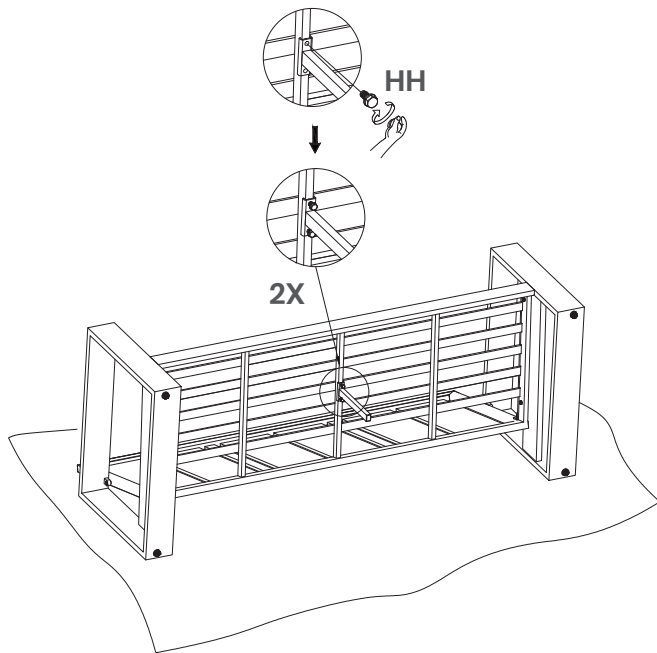


Step 4

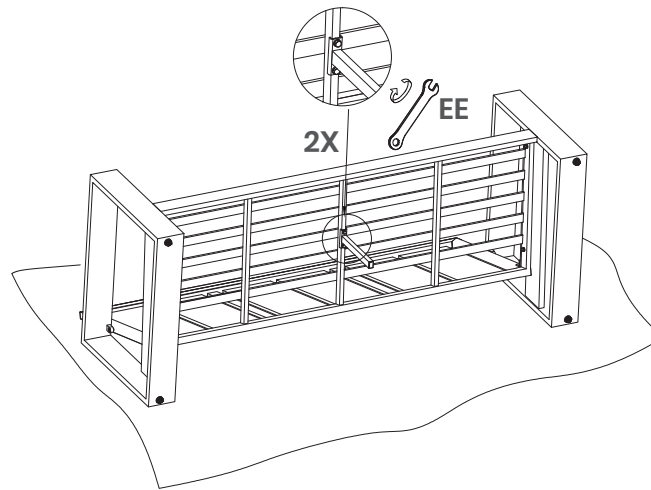


Sofa Assembly (cont.)

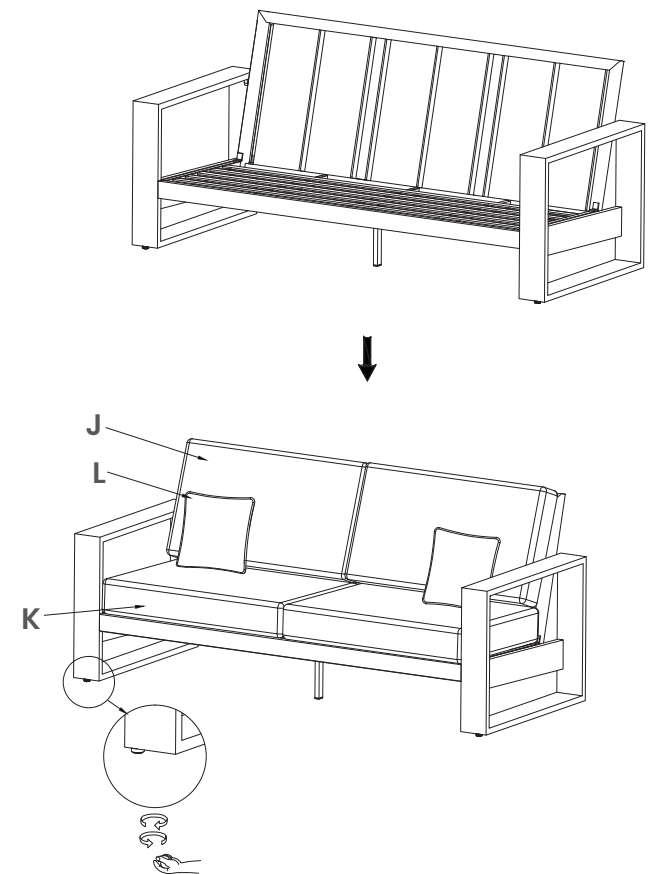
Step 5



Step 6



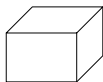
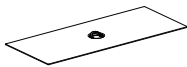



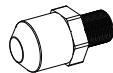
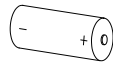
Step 7



Fire Pit Table Parts List

⚠ WARNING: To avoid damage to your new patio furniture, please use either the carton or another soft surface such as carpet as a working surface to prevent product damage during assembly.

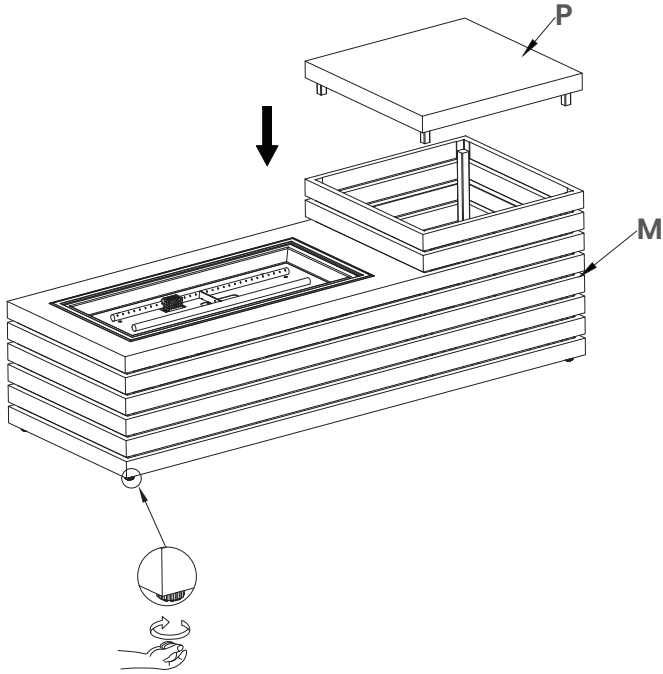
PART NO.		DESCRIPTION	QTY
M		Table Frame	1
P		Propane Tank Lid	1
N		Glass Beads	1
O		Fire Cover	1
Z		Furniture Cover	1

PART NO.		DESCRIPTION	QTY
JJ		Natural Gas Orifice	1
KK		AAA Battery	1

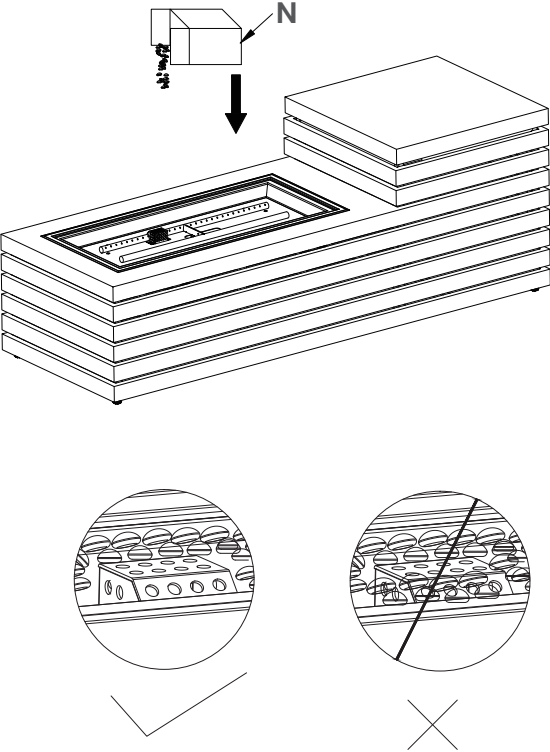
IMPORTANT: Read carefully and retain for future reference.

Fire Pit Table Assembly

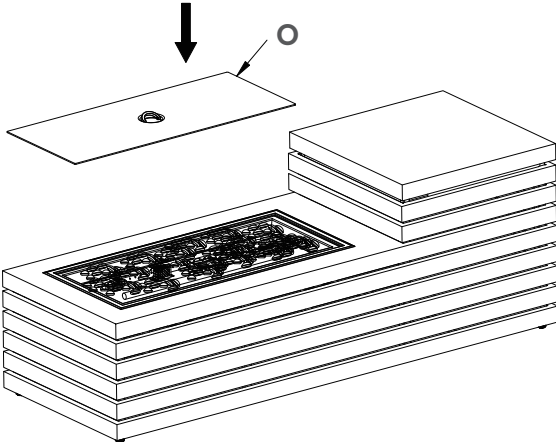
Step 1



Step 2

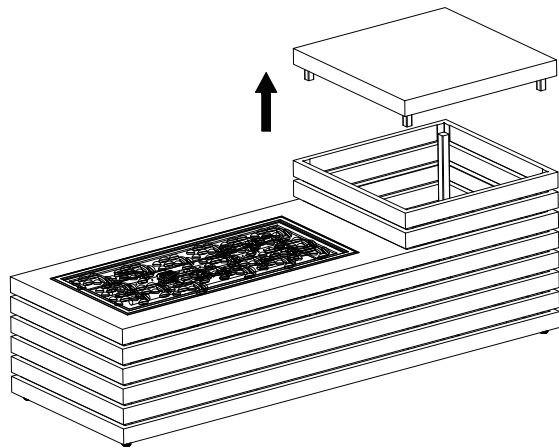


Step 3

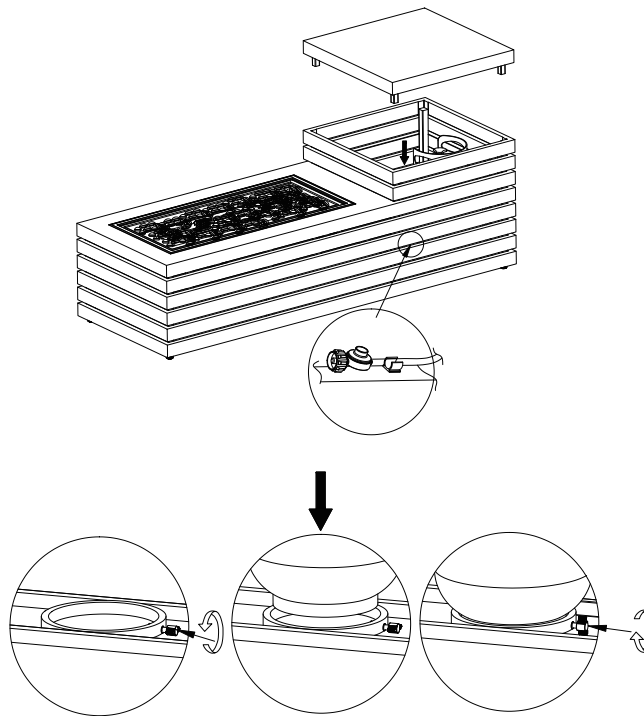


Fire Pit Table Assembly (cont.)

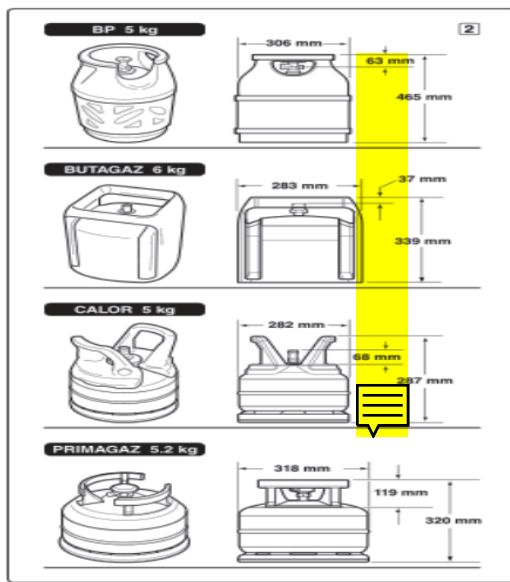
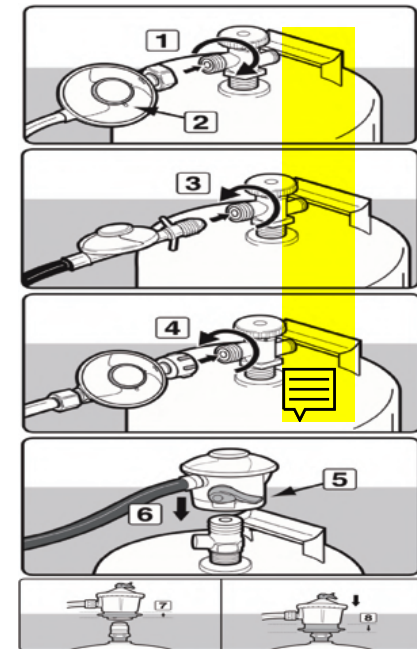
Step 4



Step 5

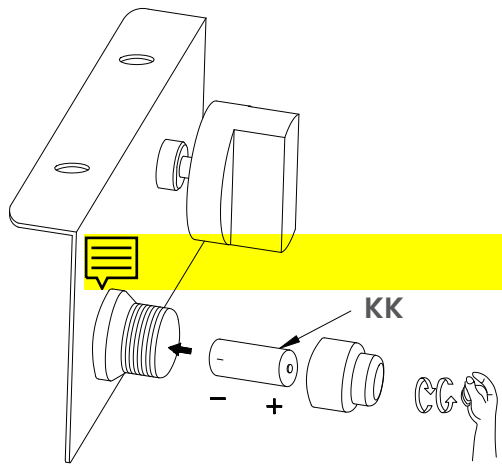


Step 6



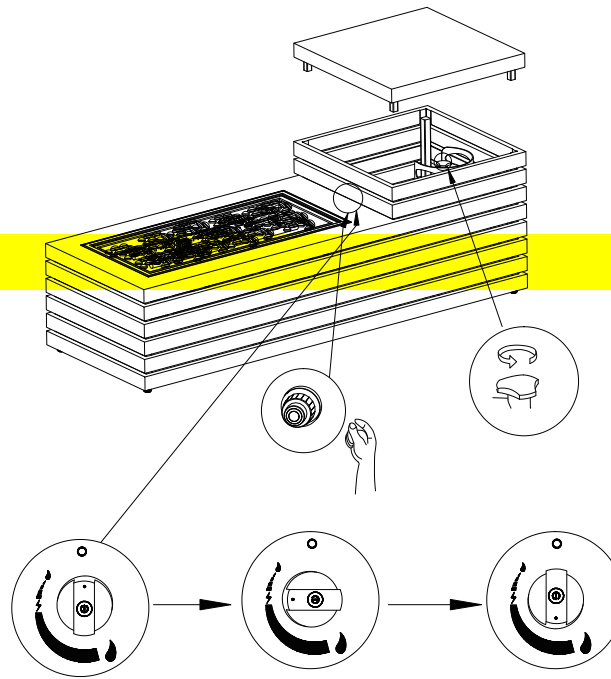
Fire Pit Table Assembly (cont.)

Step 7

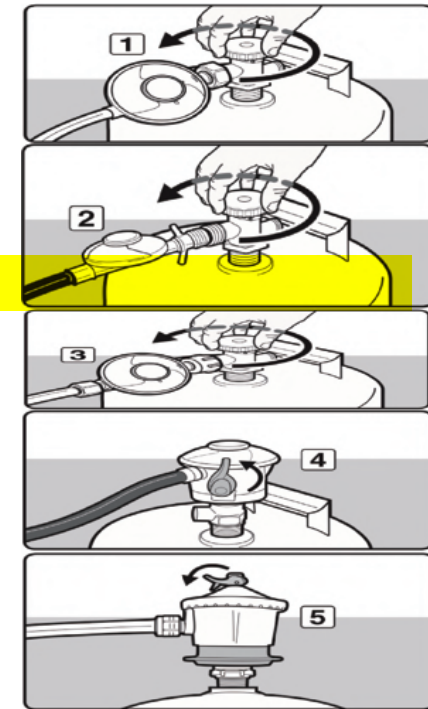


- Make sure the battery and battery contacts are clean and dry prior to installation.
- Ensure the batteries are installed correctly with regard to polarity (+ and -).
- Remove batteries from furniture that is not to be used for an extended period of time.

Step 8

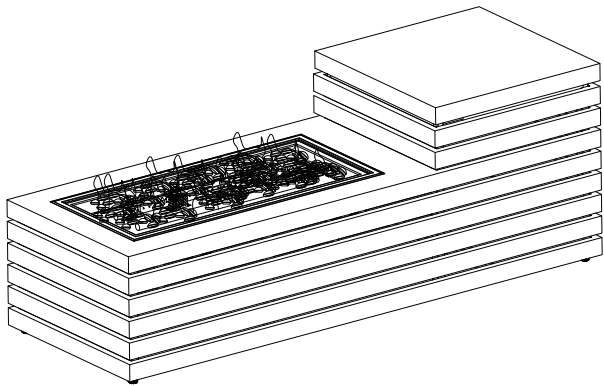


Step 9

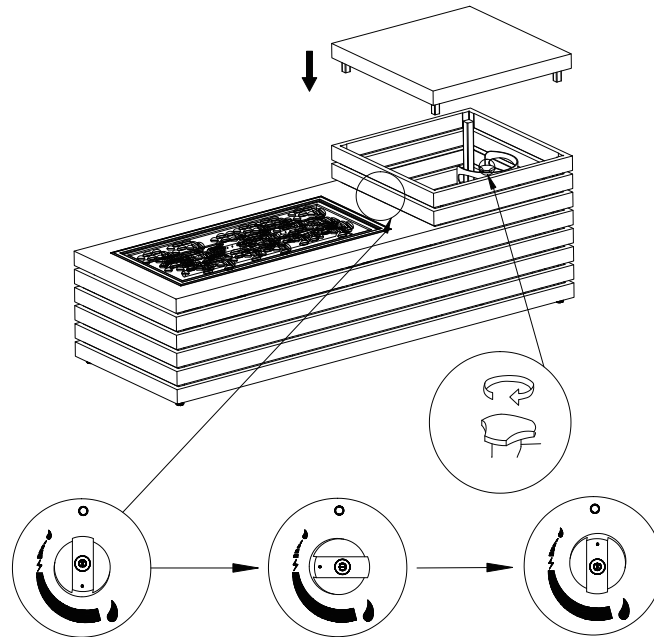


Fire Pit Table Assembly (cont.)

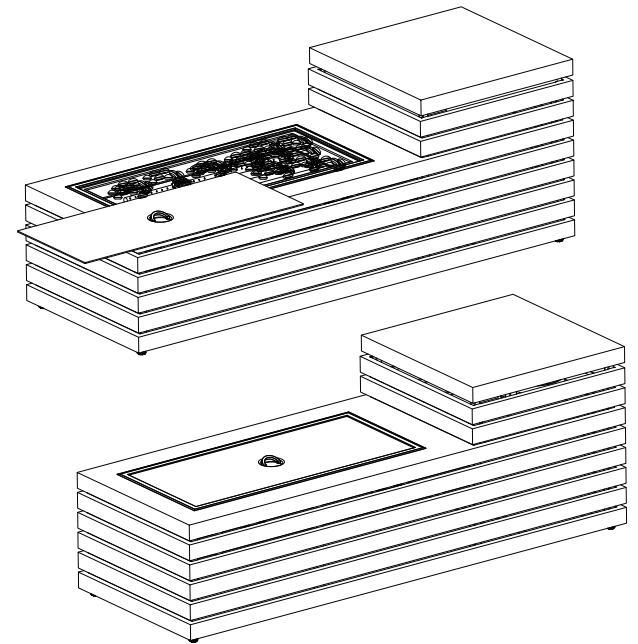
Step 10



Step 11



Step 12



Care and Maintenance

Chair Frame

Hand wash with mild soap and rinse thoroughly with water. Dry with a soft cloth. Do not use abrasive cleaners or scrub too rough as it may mar the surface.

Chair Fabric

Sunbrella® fabric should be cleaned regularly. Brush off any loose dirt and wash with a mild soap and lukewarm water solution. For stubborn stains and mildew, wash with a solution of 236 ml (1 cup) of bleach and 59 ml (1/4 cup) of mild soap per 3.8 l (1 gallon) of water. Rinse thoroughly to remove soap. Allow fabric to air dry.

NOTE: Do not machine wash.

Extended exposure to the elements can contribute to cushions becoming water-saturated. To combat this, allow your cushions to air-dry properly with these quick tips:

1. Unzip the cushion cover to ventilate and facilitate the drying process. *Do not remove the cushion covers completely.
2. Place cushions upright, with the zipper facing down to drain excess moisture faster.

For best results, store cushions indoors during inclement weather and rainy seasons.

Cushion

To ensure longevity of your patio set each seat cushion is made with high density foam. With initial use the seat cushions may feel firm, but with continued use the cushions will continue to soften and provide the ultimate comfort for seasons to come.

Table Frame

Hand wash with mild soap and rinse thoroughly with water. Dry with a soft cloth. Do not use abrasive cleaners or scrub too rough as it may mar the surface.

Safety Information

Installer: Leave this manual with appliance. Consumer: Retain this manual for future reference.

This appliance was designed and made in accordance with EN14543, EN509 (where applicable) and EN437 plus subsequent amendments (gas standards). This appliance complies with the prescriptions of European Directive (Gas Appliance Directive GAR2016/426/EC).

⚠ WARNING!



HOT! DO NOT TOUCH. SEVERE BURNS MAY RESULT. CLOTHING IGNITION MAY RESULT.

- Glass and other surfaces are hot during operation and cool-down.
- Young children should be carefully supervised when they are in the area of the appliance.
- Children and adults should be alerted to the hazards of high surface temperatures and should stay away to avoid burns or clothing ignition.
- Clothing or other flammable materials should not be hung from the appliance or placed on or near the appliance.

⚠ CAUTION! Hot while in operation. Do not touch, keep burner area clean.

⚠ WARNING! For outdoor use only. Installation and service must be performed by a qualified installer, service agency, or the gas supplier.

⚠ DANGER! CARBON MONOXIDE HAZARD



This appliance can produce carbon monoxide, which has no odor. Using it in an enclosed space can kill you. Never use this appliance in an enclosed space such as a camper, car or home.

⚠ WARNING! If the information in this manual is not followed exactly, a fire or explosion may result causing property damage, personal injury, or loss of life.



1336-24
Pin Code 1336DM005

⚠ CAUTION!

Do NOT DISCARD THIS MANUAL

Important operating and maintenance instructions included. Read, understand, and follow these instructions for safe installation and operation.



⚠ DANGER!

If you smell gas:

- Shut off gas to the appliance.
- Extinguish any open flame.
- If odor continues, leave the area immediately.
- After leaving the area, call your gas supplier or fire department.

Failure to follow these instructions could result in fire or explosion, which could cause property damage, personal injury, or death.

⚠ WARNING!

Do not store or use gasoline, or other flammable vapors and liquids, in the vicinity of this or any other appliance. An LP-cylinder not connected for use shall not be stored in the vicinity of this or any other appliance.

Safety Information

Installer: Leave this manual with appliance.

Consumer: Retain this manual for future reference.

⚠ WARNING!

Improper installation, adjustment, alteration, service, or maintenance can cause injury or property damage. Read the installation and maintenance instructions thoroughly before installing or servicing this equipment.

This appliance is a Decorative Gas Appliance for **OUTDOOR USE ONLY** and **MUST NOT** be used for cooking.

A. Design and Installation Considerations

Place the fire pit on a flat and stable surface in an outdoor location adjacent to the gas supply line or LP gas supply cylinder. **DO NOT** locate the appliance where it will get excessively wet or submerged in water.

B. Tools and Supplies Required

Before beginning the installation, be sure that the following tools and supplies are at hand.

- Gloves
- Safety Glasses
- Wrench

C. Inspect the Appliance and Components

⚠ WARNING!

Inspect appliance and components for damage. Damaged parts may impair safe operation.

- **DO NOT** install damaged, incomplete, or substitute components. Report damaged parts to your dealer.
- Carefully remove all burner components from packaging.
- Read all instructions before beginning installation. Follow these instructions carefully during installation to ensure maximum safety and benefit.

⚠ WARNING!

ASPHYXIATION RISK

This gas appliance is for outdoor use in a well-ventilated space. This unit must not be installed inside an enclosed structure or unvented area.

⚠ WARNING!

Never leave fire pit unattended for any amount of time.
Never sit on the fire pit.
Never use fire pit as a storage unit.

⚠ WARNING!

Do **NOT** use this appliance if any part of it has been underwater. Have a qualified service technician inspect the appliance and replace any part of the control system and any gas control which has been underwater. Do not burn solid fuels in this gas appliance.

⚠ WARNING!

1. Glass media may have sharp edges. Wear safety glasses and gloves when handling.
2. Pour the glass media evenly in to the burner area (with the exception of the screen-if applicable). The glass should be 1/2 - 1" above the burner.
3. Keep away from the unit for the first 20 minutes after igniting your unit for the first time, as glass beads could pop out and cause injury. Should any rocks pop out, discard them.

Safety Information

Installer: Leave this manual with appliance.

Consumer: Retain this manual for future reference.

⚠ WARNING!

Never dispose battery directly into trash and do not throw into fire.

⚠ WARNING!

The warranty will be voided by the following actions:

- Installation and use of any damaged components.
- Modification of the burner assembly.
- Installation other than as instructed by the factory.

Any such action may cause a fire hazard.

Gas Hookup and Information

A. Fuel

Before making gas connections, ensure the appliance being installed is compatible with the available gas type.

B. Gas PRESSURE

Proper input pressures are required for optimum performance. Gas line sizing requirements need to be made following NFPA54.

⚠ WARNING!

FIRE RISK

EXPLOSION RISK

VERIFY INLET PRESSURES

- High pressure may cause overfire condition.
- Low pressures may cause explosion.
- Verify minimum pressures when other household gas appliances are operating.

Install regulator upstream of valve if line pressure is greater than 1/2 psi.

Pressure requirements for appliance are shown in table below. Minimum pressures must be met when other household gas appliances are operating.

PRESSURE	NATURAL	GAS PROPANE
Minimum Inlet Pressure	3.5 in w.c.	25 psi
Maximum Inlet Pressure	10.5 in w.c.	250 psi

The appliance and its individual shutoff valve must be disconnected from the gas supply piping system during any pressures in excess of 1/2 psi / 3.5 kpa. The appliance must be isolated from the gas supply piping system by closing its individual manual shutoff valve during any pressure testing of the gas supply piping system at test pressures equal to or less than 1/2 psi / 3.5 kpa.

C. Gas Connection

Type of regulator : low pressure LPG regulator, regulator for specified standards: EN 16129: 2013.

NOTE: Have the gas supply installed in accordance with local building codes. Installation should be done by a qualified installer approved and/or licensed as required by the locality.

Flexible hose type: 6.3MM, 8MM, and 10MM inside diameter hoses with BS EN 16436-1:2014+A3:2020 for rubber and plastics hose tubing and assemblies. Length of tubing or flexible hose usable for the gas supply to the appliance from the gas cylinder : 70CM.

⚠ WARNING!

FIRE RISK

EXPLOSION RISK

VERIFY INLET PRESSURES

- Gas build-up during line purge may ignite.
- Purge should be performed by qualified technician.
- Ensure adequate ventilation.
- Ensure there are no ignition sources such as sparks or open flames.

Safety Information

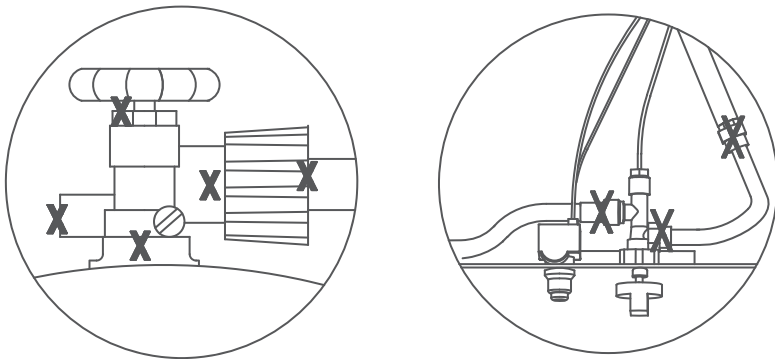
Installer: Leave this manual with appliance.
Consumer: Retain this manual for future reference.

⚠ WARNING!
CHECK FOR GAS LEAKS
FIRE RISK
EXPLOSION RISK
ASPHYXIATION RISK

- Check all fittings and connections. Please see below picture.
- Do not use open flame,
- After the gas line installation is complete, all connections must be tightened and checked for leaks with a commercially available leakcheck solution. Be sure to rinse off all leak check solution following testing.

Fittings and connections may have loosened during shipping and handling.

A small amount of air will be in the gas supply line. When first lighting appliance, it will take a short time until unit will not require such purging. Never allow the ON / OFF valve to remain in the open position without pressing and continuing to hold igniter button FIRST.



Safety Information

Installation and repair should be done by a qualified service person. The appliance should be inspected before use and at least annually by a qualified service person. More frequent cleaning may be required as necessary. It is imperative that the control compartment, burners and circulating air passageways of the appliance are kept clean.

These instructions are only valid if the following country code is on the appliance. If this code is not present on the appliance it is necessary to refer to the technical instructions which will provide the necessary information concerning the modification of the appliance to the condition of use for the country. Before installation, ensure that the local distribution conditions and the adjustment of the appliance are compatible. This appliance was designed and made in accordance with EN14543, EN509 (where applicable) and EN437 plus subsequent amendments (gas standards). This appliance complies with the prescriptions of European Directive (Gas Appliance Directive GAR2016/426/EC).

- *Do not use this fire pit for cooking.
 - *Do not burn any other materials than are supplied with and intended for use in this fire pit. Do not pour water into the fire pit.
 - *Do not use this fire pit if any part has been under water.
 - *Do not store a spare or disconnected liquid propane cylinder under or near this fire pit.
 - *After a period of storage, and/or non use, the propane fire pit should be checked for gas leaks and burner obstructions before use.
 - *Do not operate the propane fire pit if there is gas leak present.
 - *Never use a flame to check for gas leaks.
 - *Combustible materials should never be within 61" (155 cm) of the top 48" (122 cm) from back or sides of your propane fire pit.
 - *Do not put any other fire pit cover or anything flammable on, or beneath the fire pit.
 - *The propane fire pit should never be used by children. Children must be supervised when they are anywhere near the appliance.
 - *Users should be alerted to the hazards of high surface temperatures and keep a safe distance to avoid burning or clothing ignition.
 - *Pay attention when operating the fire pit. It is hot in use and should never be left unattended. Do not transit fire pit while in operation.
 - *Should the fire go out while burning, turn the gas valve off. Follow the instructions and wait five minutes before attempting to relight.
 - *Never use charcoal or any other solid fuel in the fire pit. Never parch clothing or other flammable materials on or near the fire pit.
 - *Never lean over the open fire pit or place hands or fingers on the upper portion of an operational unit.
 - *Keep ventilation openings in cylinder enclosure (FIRE PIT BODY) free and clear of debris.
 - *Please take out the battery when not using the fire pit for an extended length of time.
 - *Do not enlarge valve orifices or burner ports when cleaning the valve or burner. Cylinder supply system must be arranged for vapor withdrawal.
 - *LP Tank used must include a collar to protect the cylinder valve. *Never fill the cylinder beyond 80% full.
 - *The conversion or attempted use of natural gas in a liquid propane unit or liquid propane gas in a natural gas unit is dangerous.
 - *Do not use this fire pit on vehicles or boats. Always operate the appliance on the flat ground outdoors.
 - *Keep any electrical supply cord and the fuel supply hose away from any heated surfaces.
 - *Do not use this fire pit unless all parts are in place.
 - *Keep the appliance area clear and free from combustible materials, gasoline, and other flammable vapors and liquids.
 - *Prior to each fire table operation, check the hose for evidence of excessive abrasion or wear by looking through the visual check hole. If the hose is damaged, cracked or cut, it must be replaced before using the gas fire table. The hose assembly can only be replaced with a hose assembly specified by the manufacturer. Please call 1-888-690-9800.
 - *Locate the hose out of pathways where people may trip over it or in areas where the hose may be subject to accidental damage.
- Before each use, remove the lava rock or glass beads. Examine the burner and its components. If dirty, clean with a soft brush and soapy water solution. Also examine the area around the burner. Any dirt or foreign material, such as spider webs or nests in this area should be removed. If it is evident that the burner is damaged, the fire table must not be used. The burner assembly can not be replaced. Please call 1-888-690-9800.



Safety Information



WARNING

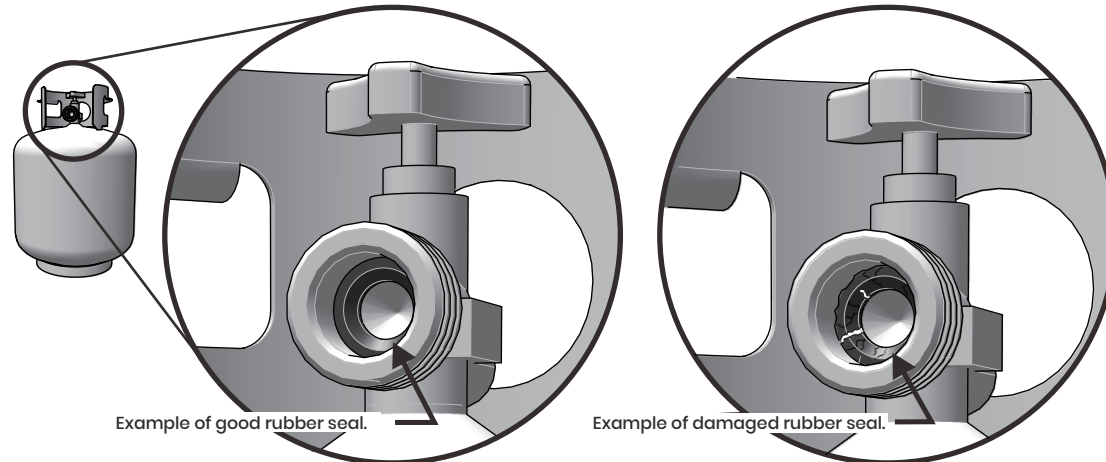
LP GAS CYLINDER RUBBER SEAL INSPECTION.

Inspect the LP gas cylinder valve rubber seal for cracks, wear or deterioration prior to each use. A damaged rubber seal can cause a gas leak, possibly resulting in an explosion, fire, or severe bodily harm.

It is recommended that you inspect the rubber seal each time the LP gas cylinder is connected to the appliance, each time it has been refilled, or if it has not been used for more than 60 days.

DO NOT use a LP gas cylinder with a damaged rubber seal. The rubber seal CANNOT be repaired or replaced. Purchase a new cylinder or exchange the cylinder. You should inspect the seal before accepting a new or exchanged cylinder. DO NOT insert tools or foreign objects into the cylinder valve opening as this could damage the rubber seal.

The leak check procedure outlined in the product guide/assembly manual Must be followed each time the LP gas cylinder is connected to the appliance. Consult the product guide/assembly manual for the proper procedure and locations for leak checking.



Example of good rubber seal.

Example of damaged rubber seal.

Troubleshooting

SYMPTOM		POSSIBLE CAUSES	CORRECTIVE ACTIONS
1.	Fire won't light.	A. No LP in tank, or NG main not turned on.	Check the LP (propane) tank. You may be out of gas. Or check Natural Gas valve at main.
		B. Plugged burner orifice.	Check the burner orifice for stoppage. Remove stoppage.
		C. Battery needs replacing.	Make sure there is a clicking sound when you press the igniter button. If no clicking sound, make sure you installed the battery correctly, with the negative side going into the battery component first. Still not working, replace with a brand new AAA 1.5 V battery. If unit still does not operate it may require cleaning or replacement, call our USA Customer Service Hotline at 1-888-690-9800 for assistance.
2.	Low flames or won't stay lit.	A. Manual shutoff valve (on/off) open or not installed between LP tank and appliance.	Close LP tank and manual shutoff valves. Open LP tank valve first, then the manual shutoff valve.
3.	Blue flames.	A. This is a result of normal operation and flames will begin to yellow as unit is allowed to burn for 16-20 minutes.	Do nothing.
		B. Improper air / fuel mixture related to air shutter position.	Close air shutoff. (for LP, leave 1/4" open, natural gas 1/16" open)

SYMPTOM		POSSIBLE CAUSES	CORRECTIVE ACTIONS
4.	Metallic noise.	A. Noise is caused by metal expanding and contracting as it heats up and cools down, similar to the sound produced by a furnace or heating duct. This noise does not affect the operation or longevity of the appliance.	Do nothing.
5.	Decorative beads cracking or splitting.	A. Heat and / or abrupt temperature changes.	This is a property of glass and may happen occasionally. Do nothing. This is completely normal.

Maintenance and Service Tasks

INSPECT	INSPECT
Burner Assembly	1. Remove decorative glass and examine burner. Vacuum and wipe clean as needed. Use caution when cleaning these areas.
	2. Inspect for warping and corrosion. Repair as necessary.
	3. Check the hose connecting to the LP gas cylinder to ensure it is not damaged. Replace as necessary.
	4. Verify air shutter area is clean.
Burner Ignition and Operation	1. Verify all gas connections are tight and leak-free.
	2. Clean burner top, inspect for plugged ports, corrosion, or deterioration. Replace burner if necessary.
	3. Inspect for flame problems.
	4. Verify air shutter is clear of dust and debris and is in correct position for the gas type being used.
	5. Inspect orifice for soot, dirt, or corrosion.
	6. Verify manifold and inlet pressures. Adjust regulator as required.
Gas Hose with regulator	1. The gas hose with regulator supplied with appliance must be used for LP installations. The replacement must be those specified by the appliance manufacturer.

Before Storing

1. Turn LP gas tank valve to “CLOSED”.
2. Turn control knob to the “OFF” position. NOTE: A “poof” sound is normal as the last of the gas is burned.
3. Disconnect LP gas tank as shown on Step 6.
4. Clean all surfaces.

⚠ CAUTION!

- NEVER place cover on hot outdoor fire pit.
5. Lightly coat the burner with cooking oil to prevent excess rusting.
 6. If storing the outdoor fire pit indoors, cover the outdoor fire pit and store in a cool, dry location away from children and pets.
 7. If storing the outdoor fire pit outdoors, cover the outdoor fire pit with the included cover for protection from the weather.

Before returning to your retailer, call our customer service department at 1-888-690-9800 (8:00 a.m. – 5:00 p.m. PT / 11:00 a.m. – 8:00 p.m. ET, Monday – Friday. English and Spanish) or email us at service@sunvilla.com

Framing and Clearance

NOTE:

- Illustrations reflect typical installations and are **FOR DESIGN PURPOSES ONLY**.
- Illustrations / diagrams are not drawn to scale.
- Actual installation may vary due to individual design preference.

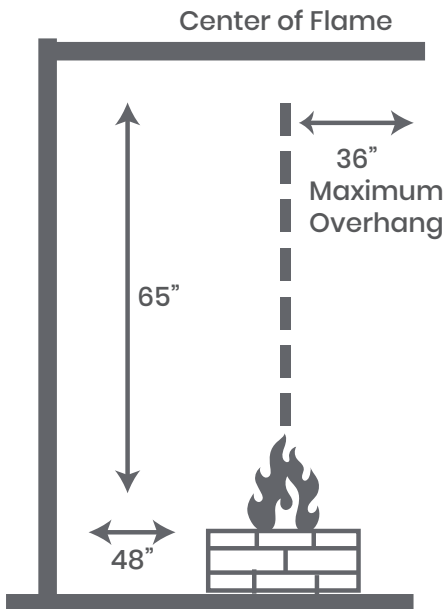
⚠ WARNING!

FIRE RISK

Provide adequate clearance

- Around air openings.
- For service access.

Locate appliance away from traffic areas.



Clearance to Combustibles.

Gas Hookup and Information

1. Make 2-3 oz of leak detection solution by mixing one part liquid dishwashing soap with three parts water.
2. Make sure control knobs are in the "O" position (Figure 1).
3. Connect LP gas tank;
4. Turn LP gas tank valve to "OPEN";
5. Spoon several drops of solution or use a squirt bottle, at all "X" locations;
 - A. If any bubbles appear, turn LP gas tank valve to "CLOSED", reconnect and re-test;
 - B. If you continue to see bubbles after several attempts turn LP gas tank valve to "CLOSED" and disconnect LP gas tank, as shown on Step 9. Contact 888-690-9800 for assistance.
 - C. If no bubbles appear after one minute, turn LP gas tank valve to "CLOSED", wipe away solution.

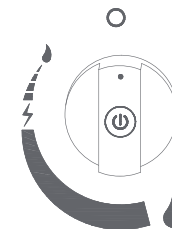
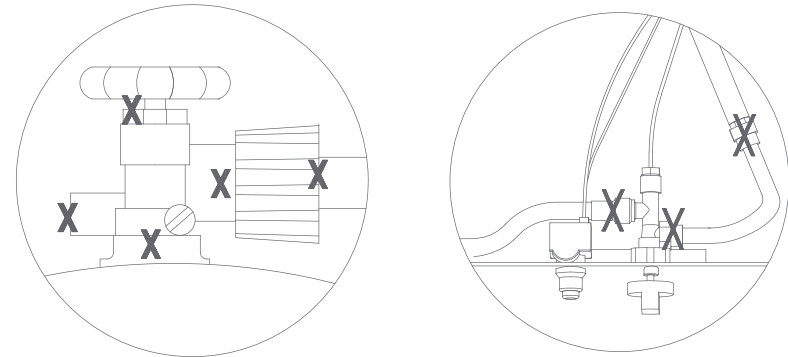


Figure 1

For Liquid Propane Gas Units

Do not attempt to disconnect the gas regulator or any gas fitting while your fire pit is in operation.

*A dented or rusty liquid propane cylinder may be hazardous and should be checked by your gas supplier prior to use.

*Do not use a liquid propane cylinder with a damaged valve and any other worn out parts.

*Transit and store the empty gas cylinders carefully and properly

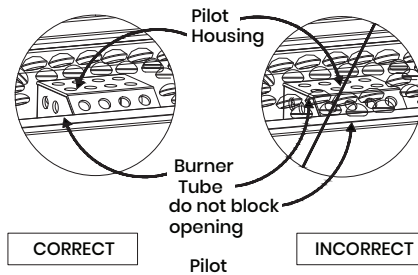
*If you see, smell or hear the hiss of escaping gas from the liquid propane cylinder;

1. Turn off the gas supply and get away from the gas cylinder and the fire pit at once.
2. Do not attempt to correct the problem yourself.
3. Get to your gas supplier and/or the fire department for help.

⚠ WARNING! This screen must be clear and free of obstructions at all times to ensure proper operation.

SCREEN

*Do not place glass beads on the screen.
Keep screen clear.*



Operation

⚠ CAUTION! Children and adults should be alerted to the hazards of high surface temperatures and should stay away to avoid burns or clothing ignition. Young children should be carefully supervised when they are in the area of the appliance.

⚠ WARNING! Do not use this appliance if any part has been under water. Immediately call a qualified service technician to inspect the appliance and to replace any part of the control system and any gas control which has been under water.

SAFETY WARNINGS

1. Never leave the fire pit unattended during operation.
2. **Clothing or other flammable materials should not be hung from the appliance or placed on or near the appliance.**
3. **Any guard, barrier, or other protective device removed for servicing the appliance shall be replaced prior to operating the appliance.**
4. Installation and repair should be done by a qualified service person. The appliance should be inspected before use and at least annually by a qualified service person. More frequent cleaning may be required as necessary. It is imperative the control compartment, burners and circulating air passageways of the appliance be kept clean.
5. Inspect the fuel supply connection before each use of the appliance.
6. Temporary storage of this appliance indoors is permissible only if it has been disconnected from its fuel supply (Natural or LP gas line).

⚠ WARNING!

1. This appliance is hot when operated and can cause severe burns if contacted.
2. Do not burn any solid fuels in this appliance.

Lighting

1. Make sure all labels, packaging and protective films have been removed from the outdoor fire pit.
2. Remove cover and lid from outdoor fire pit before lighting.
3. Check for obstructions of airflow to the burner. Spiders, insects and webs can clog the burner/venturi tube. A clogged burner tube can lead to a fire.
4. Control knob must be in the "O" position (Figure 1).
5. Clear a small area of glass rocks away from the igniter cover.
6. Connect LP gas tank per "Installing LP Gas Tank" section.
7. Turn LP gas tank valve to "OPEN".
8. Push and hold the electronic igniter to create sparks within the electrode, continue to hold.
9. Push in the control knob and turn to the "⚡" / "ON" position, Keep holding down the control knob to allow gas to flow for 20 seconds.
10. After 20 seconds, release and turn control knob counterclockwise to adjust flame to desired height.
11. If ignition does not occur in 20 seconds, turn burner control knob to "O" and wait 5 minutes, fan with a newspaper or magazine, and repeat lighting procedure.
12. If igniter does not light burner: (Figure 2)
 - A. Wearing heat-resistant gloves, position a long lit match or long lit butane lighter near the pilot housing.
 - B. Push and turn control knob to "ON".
 - C. Remove match/lighter once burner is lit.

⚠ CAUTION!

After lighting, using a fire pit tool and heat-resistant gloves, carefully move the glass beads back to their proper position, being careful to avoid the flame.

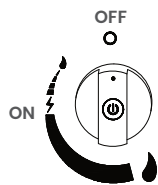


Figure 1

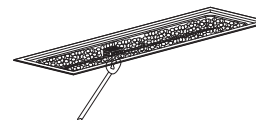
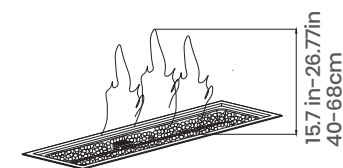


Figure 2

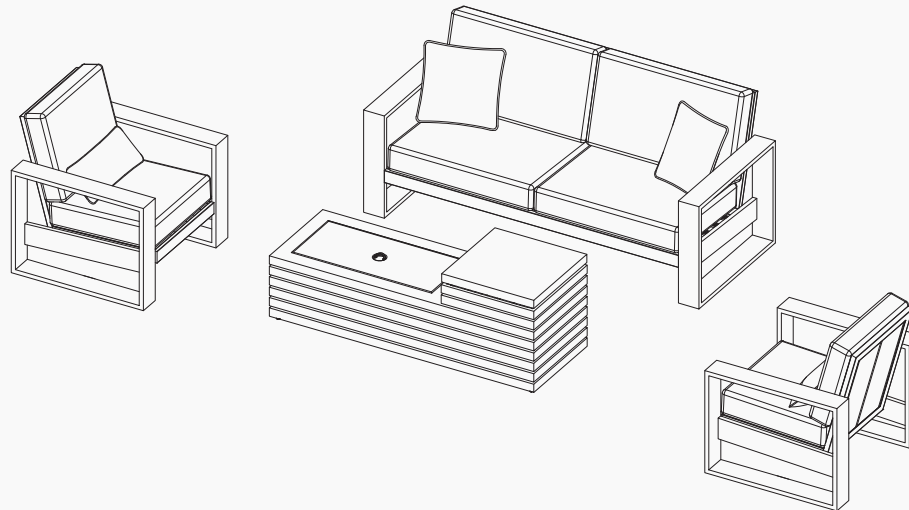


TURNING OFF

1. Turn LP gas tank valve to "CLOSED".
2. Turn control knob to the "O" position. Note: A "poof" sound is normal as the last of the LP gas is burned.
3. Disconnect LP gas tank as shown on Step 6.

Ensemble de jardin avec table braséro 4 pièces

ITM. / ART. # 450974

IMPORTANT, À CONSERVER POUR DE FUTURS BESOINS DE RÉFÉRENCE: À LIRE SOIGNEUSEMENT**CET ARTICLE EST CONÇU POUR UNE UTILISATION DOMESTIQUE À L'EXTÉRIEUR SEULEMENT. NON CONÇU POUR UNE UTILISATION COMMERCIALE.****Questions? Pièces manquantes?**

Avant de retourner chez le détaillant, communiquer avec le service à la clientèle au 1-888-690-9800, en semaine, entre 8 h et 17 h (heure du Pacifique) ou entre 11 h et 20 h (heure de l'Est), ou écrire à service@sunvilla.com. Service en anglais et en espagnol.

Préparation

Avant de commencer le montage, vérifier qu'il ne manque aucune pièce. Comparer le contenu de l'emballage avec la liste des pièces et de la quincaillerie. Si une pièce manque ou est brisée, ne pas assembler le produit; appeler le service à la clientèle.



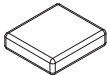
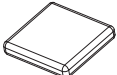

Temps d'assemblage estimé : 45 minutes. Outils requis : Clé (comprise)




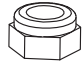

⚠️ Consignes de sécurité

Lire attentivement le présent guide avant de commencer l'assemblage du produit. Ce n'est ni un jouet ni un outil. Les enfants ne doivent pas actionner, assembler, déplacer ou démonter le produit.

Liste des pièces du fauteuil

⚠ AVERTISSEMENT: Pour éviter d'endommager le produit pendant le montage, déposer les pièces sur le carton de l'emballage ou sur une autre surface douce comme un tapis.

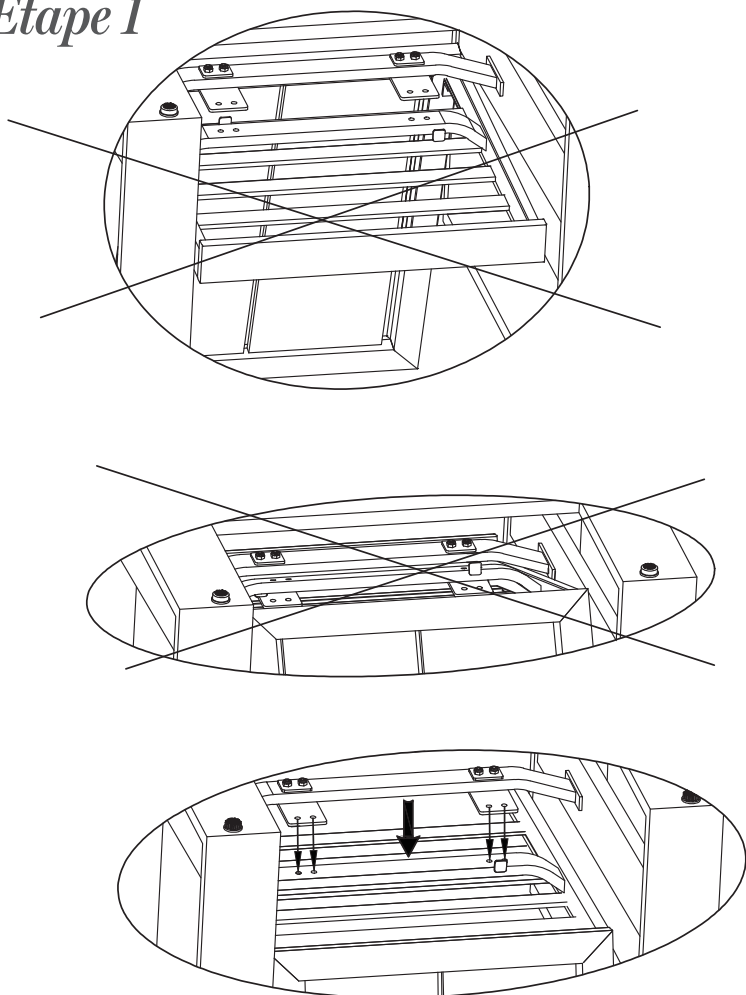
No DE PIÈCE	DESCRIPTION	QTÉ
A	 Siège du fauteuil	2
B	 Base pivotante	2
C	 Coussin de siège	2
D	 Coussin de dossier	2
E	 Coussin lombaire	2

No DE PIÈCE	DESCRIPTION	QTÉ
AA	 Boulon M8x45	8
BB	 Rondelle plate	8
CC	 Rondelle	8
DD	 Écrou	8
EE	 Clé	2

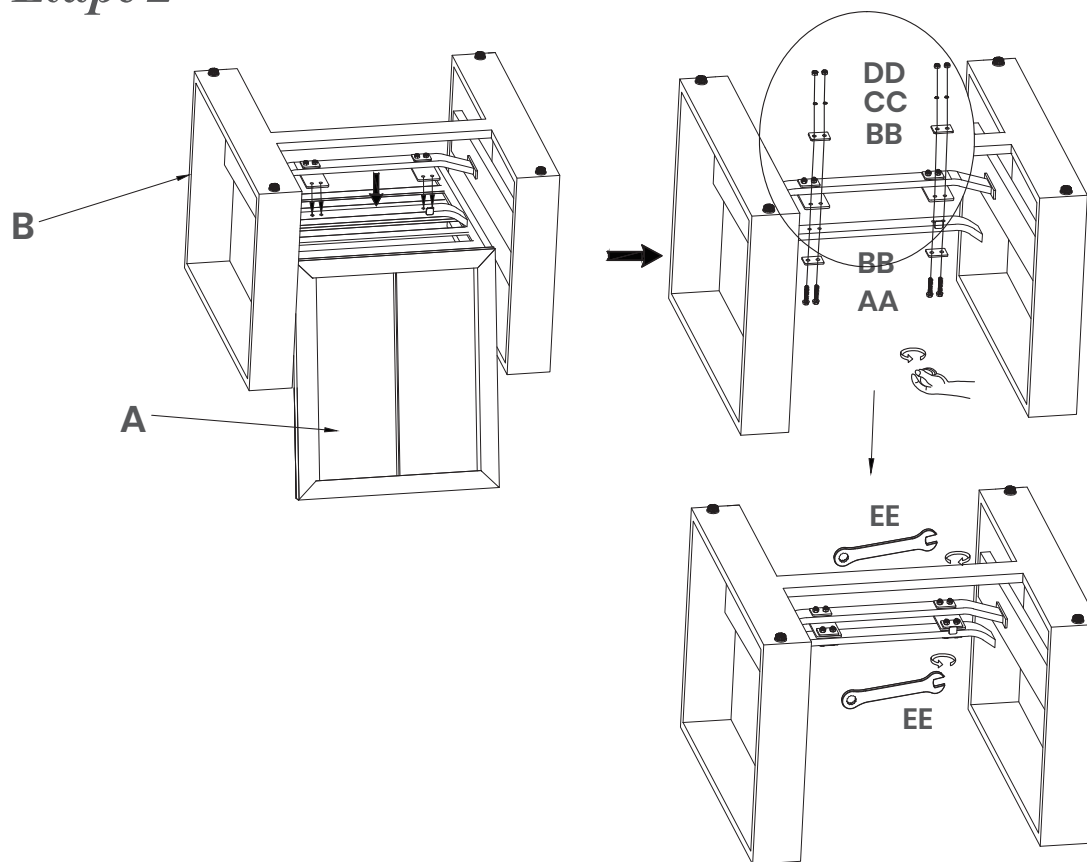
IMPORTANT: Lire attentivement et conserver pour référence future.

Montage du fauteuil

Étape 1

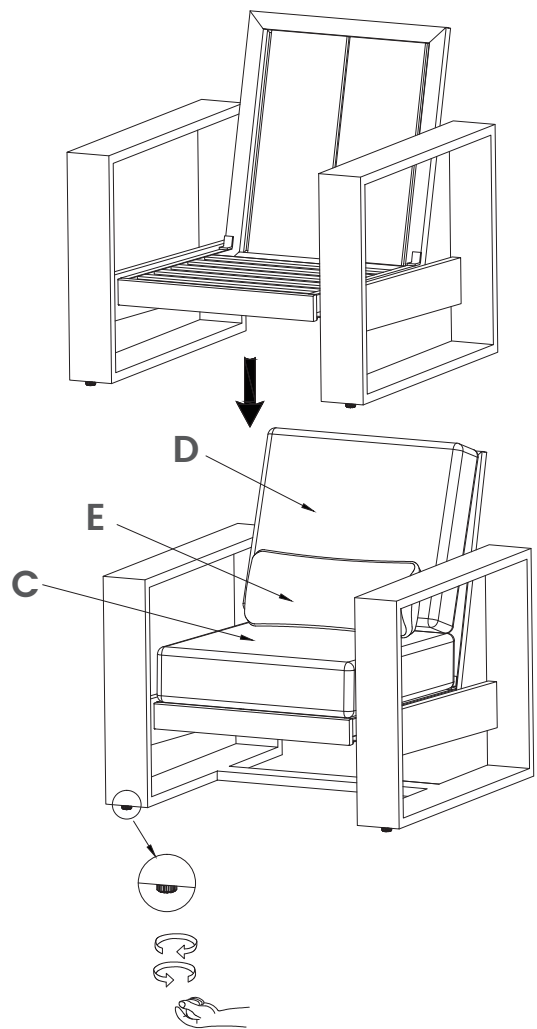


Étape 2

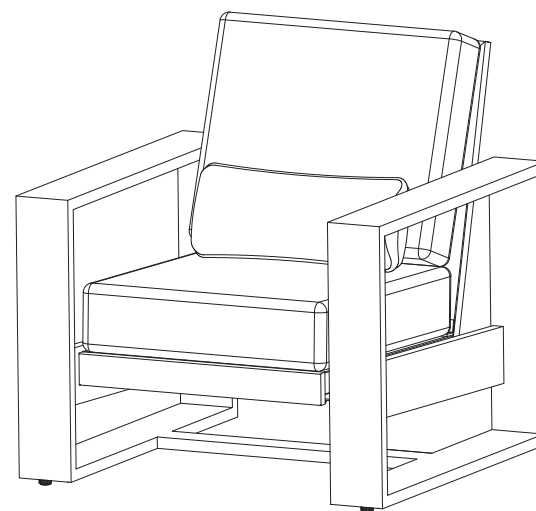


Montage du fauteuil (suite)

Étape 3

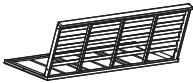
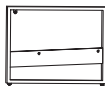
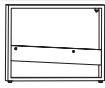

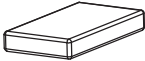
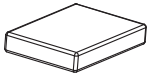








Étape 4



Liste des pièces du canapé

⚠ AVERTISSEMENT: Pour éviter d'endommager le produit pendant le montage, déposer les pièces sur le carton de l'emballage ou sur une autre surface douce comme un tapis.

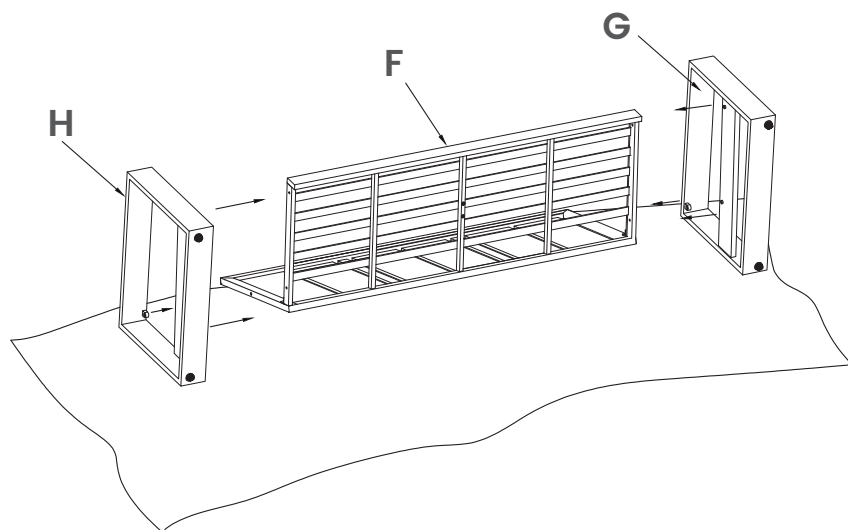
No DE PIÈCE	DESCRIPTION	QTÉ
F	 Siège de canapé	1
G	 Appuie-bras gauche	1
H	 Appuie-bras droit	1
I	 Patte médiane	1
J	 Coussin de dossier	2
K	 Coussin de siège	2
L	 Coussin décoratif	2

No DE PIÈCE	DESCRIPTION	QTÉ
FF	 Boulon M8x30	2
GG	 Boulon M8x40	4
HH	 Boulon M8x20	2
EE	 Clé	1
II	 Clé hexagonale	1

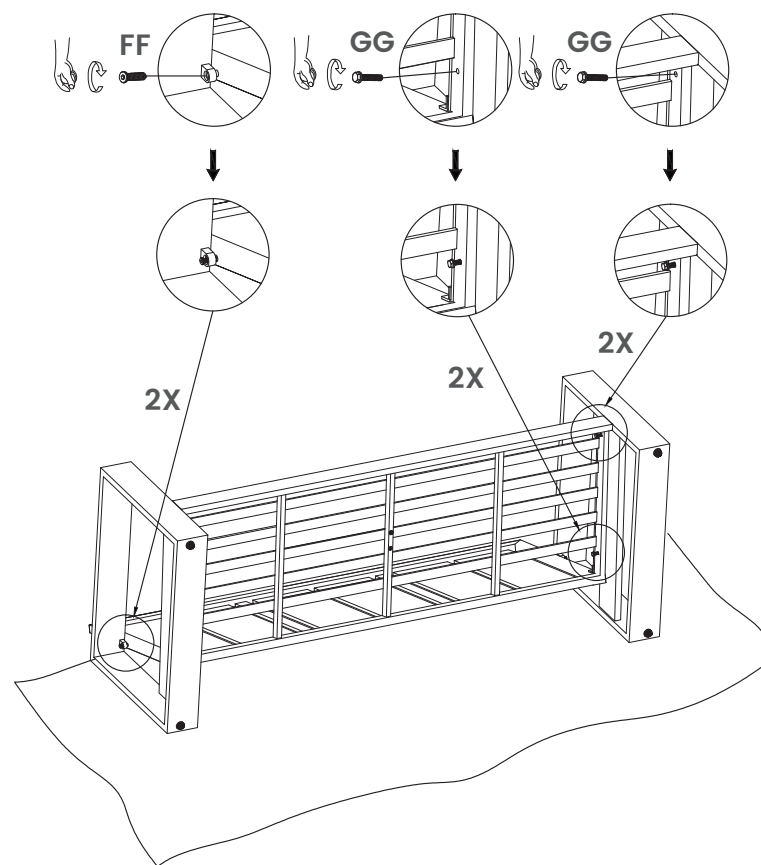
IMPORTANT: Lire attentivement et conserver pour référence future.

Montage du canapé

Étape 1

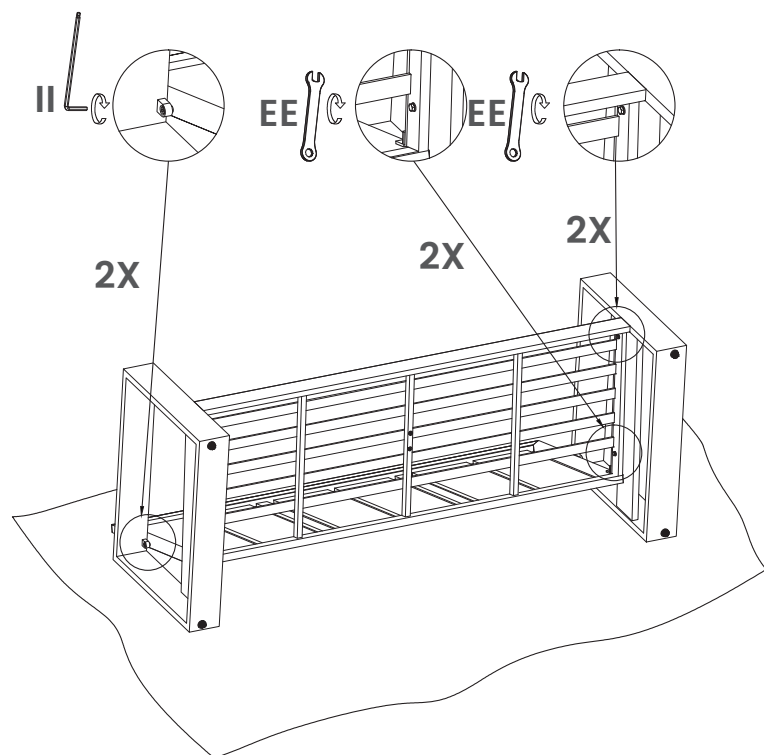


Étape 2

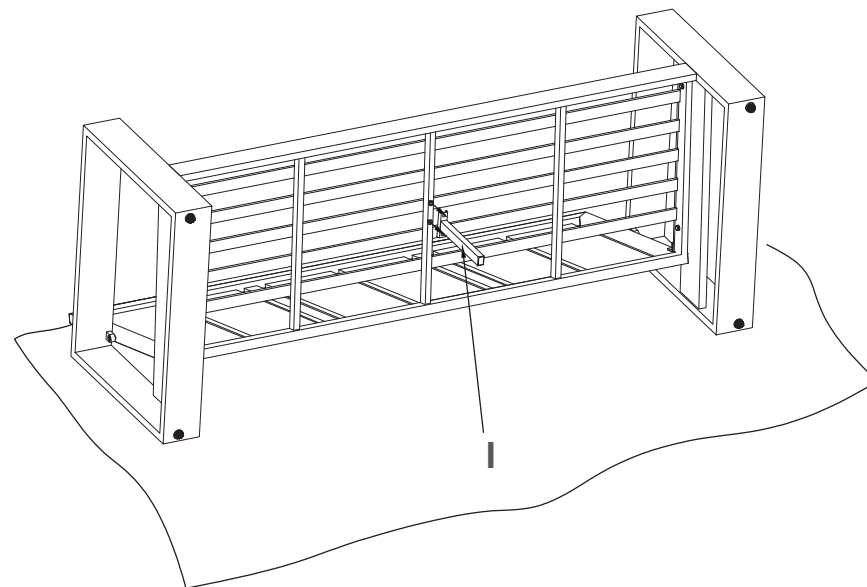


Montage du canapé (suite)

Étape 3

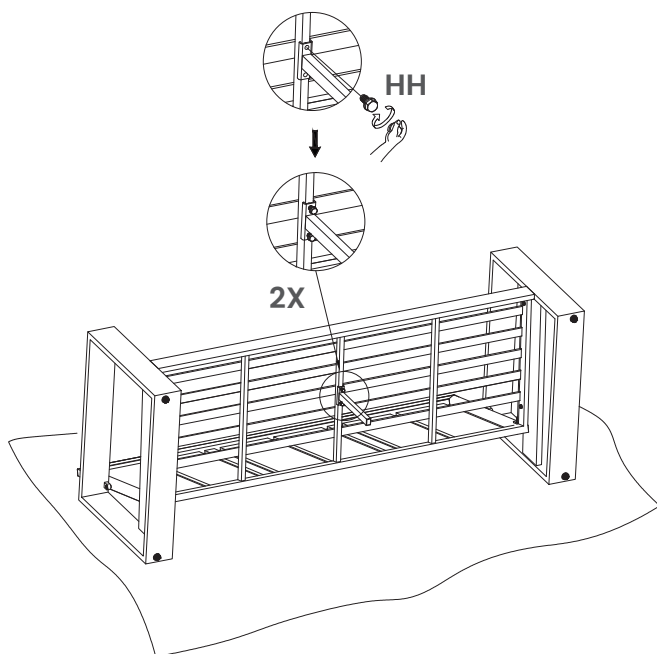


Étape 4

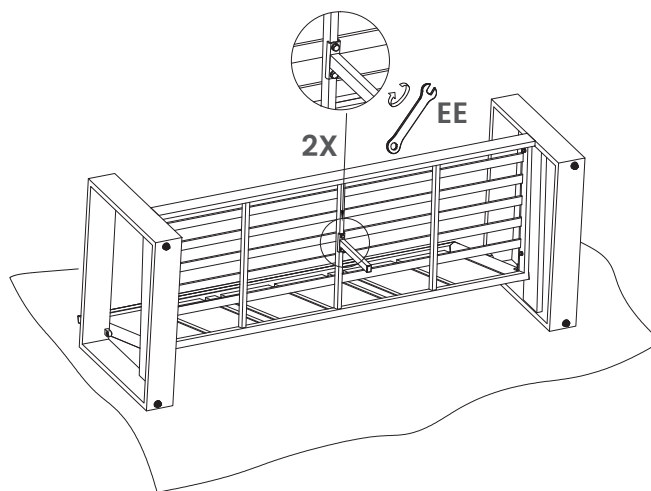


Montage du canapé (suite)

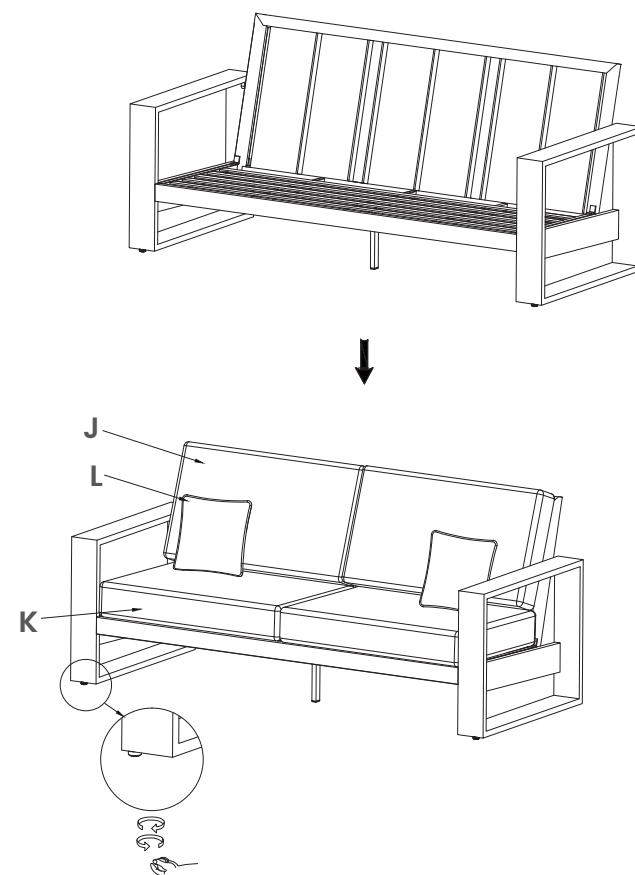
Étape 5



Étape 6



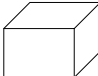

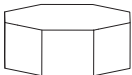


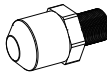
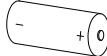
Étape 7



Liste des pièces du foyer

⚠ AVERTISSEMENT: Pour éviter d'endommager le produit pendant le montage, déposer les pièces sur le carton de l'emballage ou sur une autre surface douce comme un tapis.

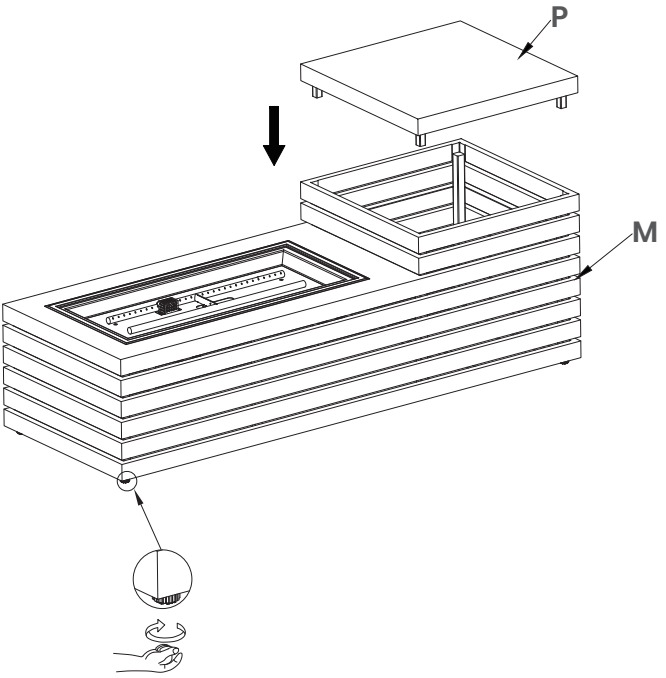
No DE PIÈCE	DESCRIPTION	QTÉ
M	 Table braséro	1
P	 Couvercle de réservoir de propane	1
N	 Des billes de verre	1
O	 Couvercle	1
Z	 Housse de protection	1

No DE PIÈCE	DESCRIPTION	QTÉ
JJ	 Embout pour le gaz naturel	1
KK	 AAA Pile	1

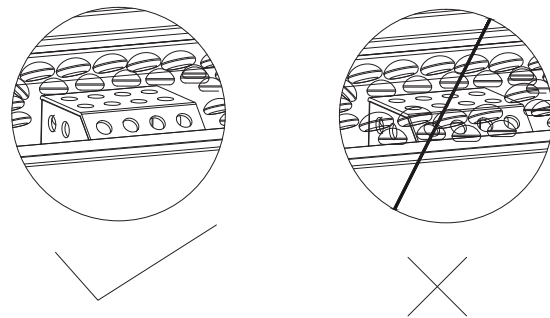
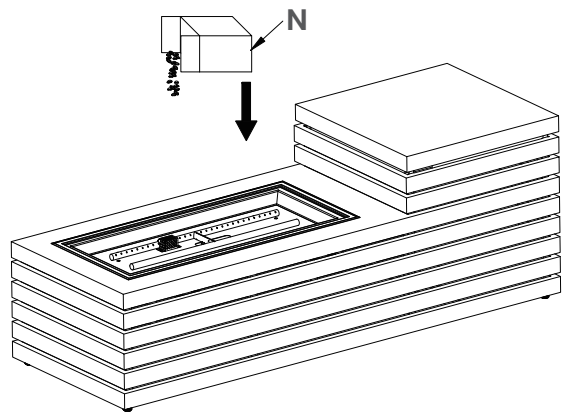
IMPORTANT: Lire attentivement et conserver pour référence future.

Montage du foyer

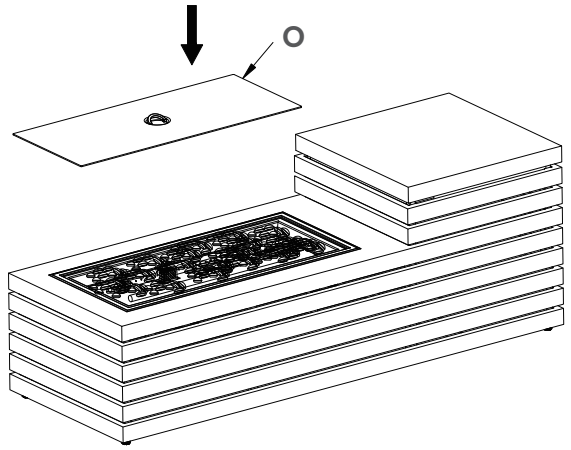
Étape 1



Étape 2

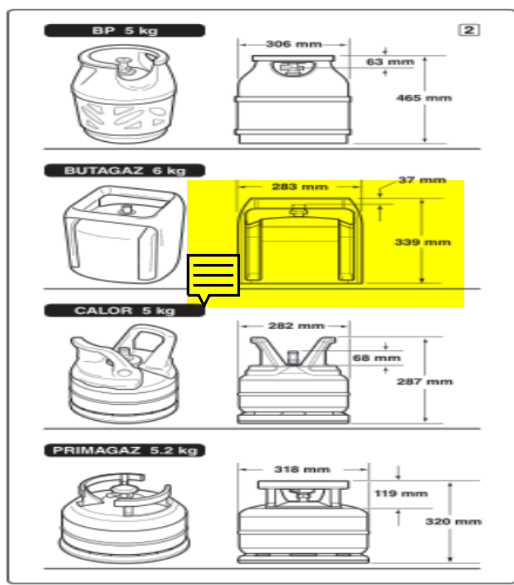
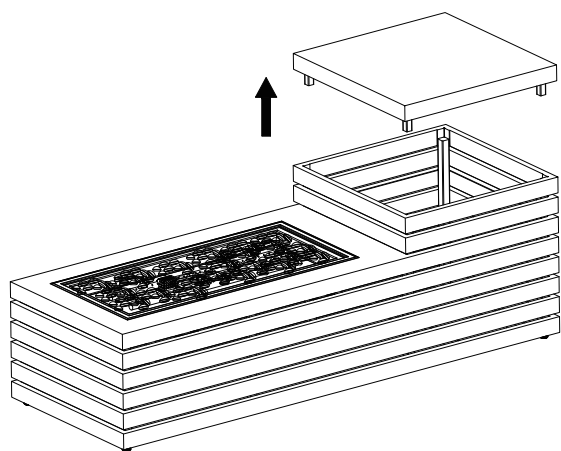


Étape 3

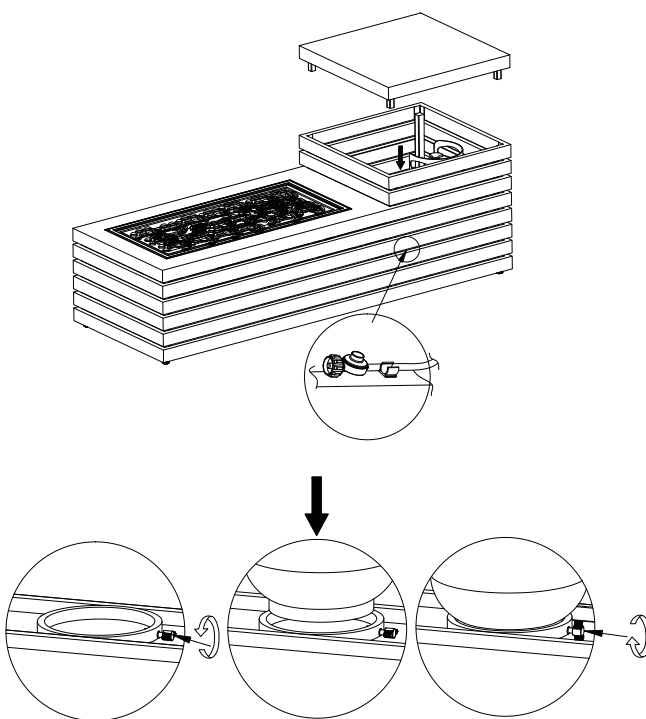


Montage du foyer (suite)

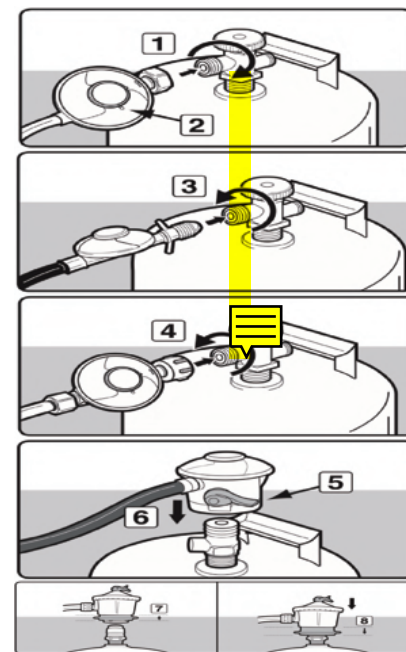
Étape 4



Étape 5

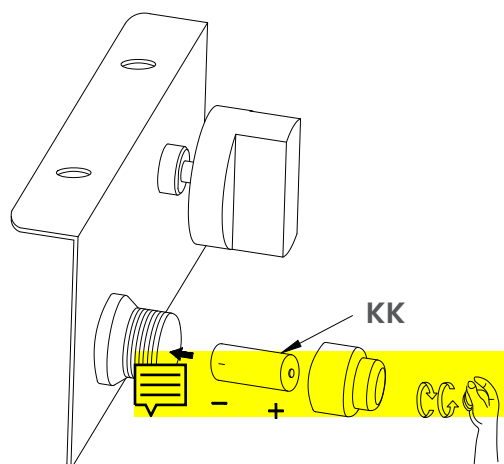


Étape 6



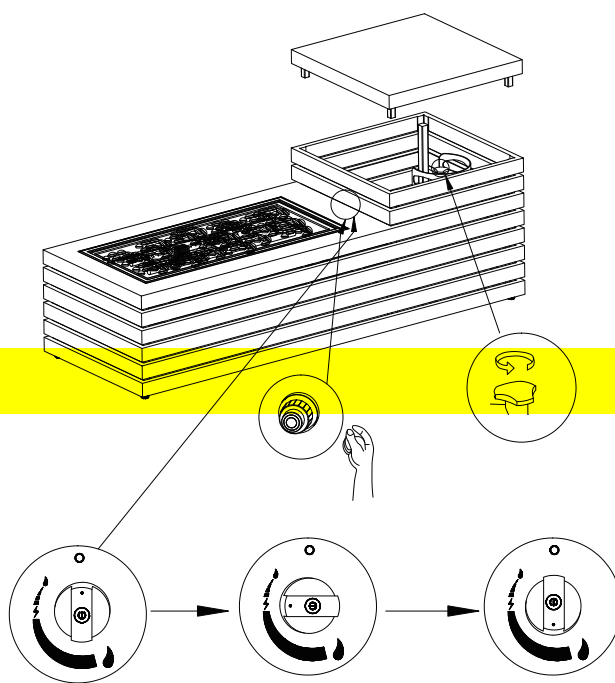
Montage du foyer (suite)

Étape 7

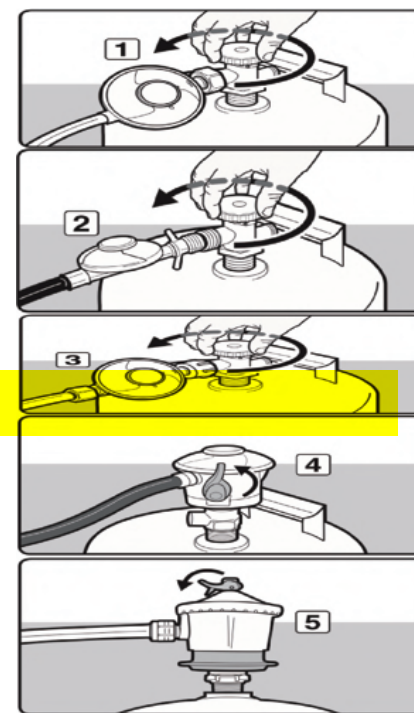


- S'assurer que les piles et les bornes sont propres et sèches avant l'installation.
- Insérer les piles en respectant la polarité (+ et -).
- Retirer les piles si le produit demeure inutilisé pendant une longue période.

Étape 8

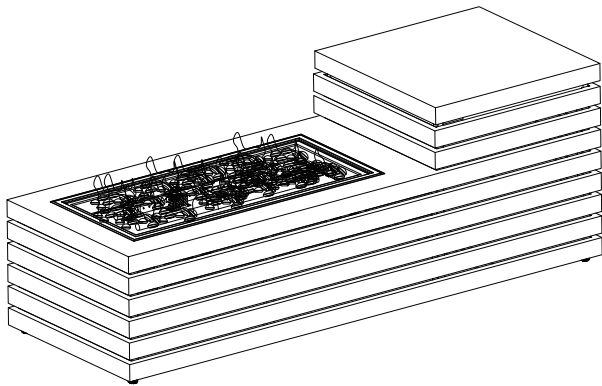


Étape 9

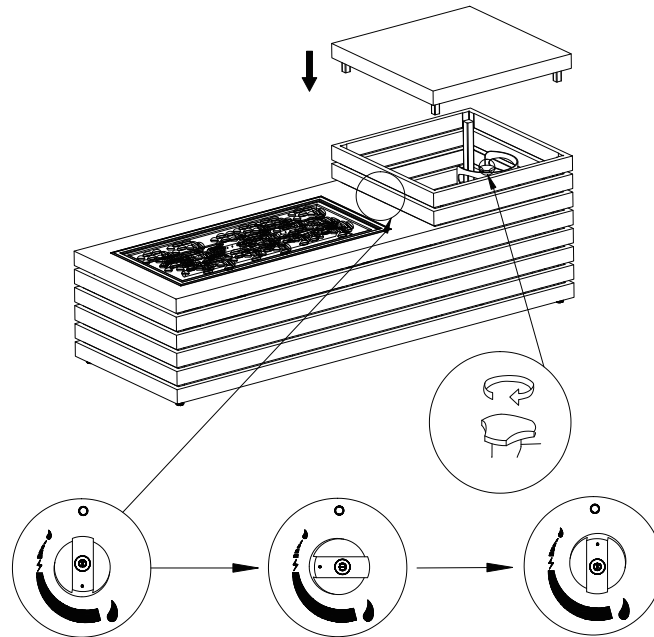


Montage du foyer (suite)

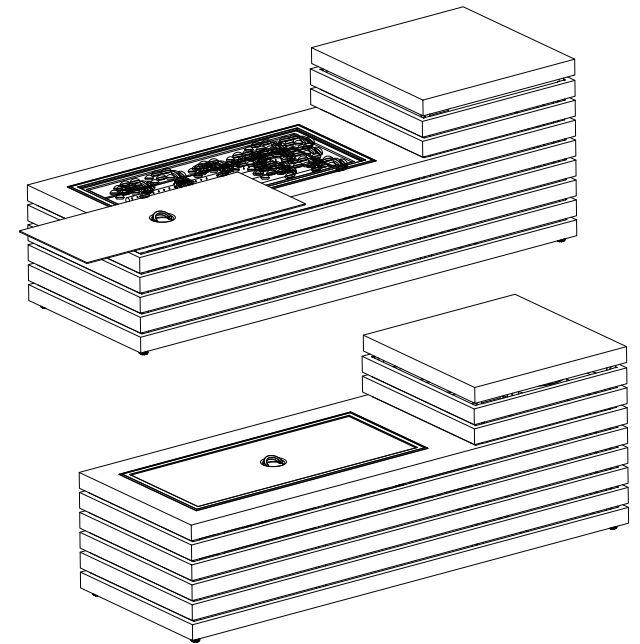
Étape 10



Étape 11



Étape 12



Entretien et maintenance

Cadre des chaises

Nettoyer à la main avec une solution de savon doux et d'eau, puis rincer à fond. Sécher avec un linge doux. Ne pas utiliser de nettoyeurs abrasifs ou frotter trop vigoureusement, car cela pourrait abîmer la surface.

Tissu des chaises

Les tissus Sunbrella® doivent être nettoyés régulièrement. Enlever la saleté avec une brosse et laver avec une solution de savon doux et d'eau tiède. Pour les taches tenaces et les moisissures, utiliser une solution de 236 ml (1 tasse) d'agent de blanchiment et de 59 ml (1/4 de tasse) de savon doux dans 3,8 l (1 gallon) d'eau. Rincer abondamment pour enlever le savon. Laisser le tissu sécher à l'air. N.B. : Ne pas laver à la machine.

1. Ouvrir la fermeture à glissière de la housse du coussin pour faire entrer l'air et faciliter le séchage. *Ne pas retirer complètement la housse.
2. Placer le coussin debout, la fermeture à glissière vers le bas, pour que l'excédent d'humidité s'évacue plus rapidement.

Pour de meilleurs résultats, ranger les coussins à l'intérieur par mauvais temps et par temps pluvieux.

Coussins

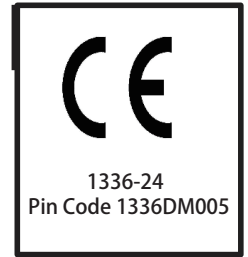
Pour assurer la longévité de votre ensemble de patio, chaque coussin de siège est fait de mousse de haute densité. Les coussins de sièges peuvent sembler fermes au début, mais ils s'assoupliront avec le temps et offriront un confort ultime pour des saisons à venir.

Table braséro

Nettoyer à la main avec une solution de savon doux et d'eau, puis rincer à fond. Sécher avec un linge doux. Ne pas utiliser de nettoyeurs abrasifs ou frotter trop vigoureusement, car cela pourrait abîmer la surface.

Consignes de sécurité

**Installateur : Laisser ce manuel avec l'appareil.
Client : Conserver ce manuel pour consultation ultérieure.**



Cet appareil a été conçu et fabriqué conformément aux normes EN14543, EN509 (le cas échéant) et EN437 plus les modifications ultérieures (normes gaz). Cet appareil est conforme aux prescriptions de la Directive européenne (Directive appareils à gaz GAR2016/426/EC).

⚠ AVERTISSEMENT

CHAUD! NE PAS TOUCHER. PEUT ENTRAÎNER DE GRAVES BRÛLURES. LES VÊTEMENTS POURRAIENT PRENDRE FEU.

- Pendant l'utilisation, la vitre et les autres surfaces sont chaudes; elles refroidissent par la suite.
- Surveiller les jeunes enfants lorsqu'ils sont près de la table brasero.
- Les enfants comme les adultes doivent être conscients du danger que représentent les surfaces très chaudes et se tenir à l'écart pour éviter de se brûler ou de brûler leurs vêtements.
- Ne pas accrocher de vêtements ni de matières inflammables à la table braséro, ni en placer sur celle-ci ou à proximité.



ATTENTION ! Chaud lorsqu'allumé. Ne pas toucher.
Garder la zone du brûleur propre.

⚠ AVERTISSEMENT! Pour utilisation à l'extérieur seulement. L'installation et les réparations doivent être effectuées par un installateur qualifié, une agence de service ou le fournisseur de gaz.

⚠ DANGER! MONOXYDE DE CARBONE



Cette table braséro peut produire du monoxyde de carbone, un gaz inodore. L'utilisation de cet appareil dans des espaces clos peut entraîner la mort. Ne jamais utiliser cet appareil dans un espace clos comme un véhicule de camping, une tente, une automobile ou une maison.

⚠ AVERTISSEMENT: Si le manuel n'est pas suivi à la lettre, un incendie ou une explosion pourrait survenir et potentiellement entraîner des dommages matériels, des blessures ou la mort.

**⚠ ATTENTION !
NE PAS JETER CE MANUEL**



D'importantes instructions d'utilisation et d'entretien y figurent. Lire attentivement et suivre les instructions pour installer et utiliser le produit de façon sécuritaire.

⚠ DANGER!

S'il y a une odeur de gaz :

- Coupez l'admission de gaz de l'appareil.
- Éteindre toute flamme nue.
- Si l'odeur persiste, éloignez-vous de l'appareil et appelez immédiatement le fournisseur de gaz ou le service d'incendie.

Le non-respect de ces instructions pourrait entraîner un incendie ou une explosion et donc des dommages matériels, des blessures, voire la mort.

⚠ AVERTISSEMENT !

Ne pas entreposer ni utiliser de l'essence ni d'autres vapeurs ou liquides inflammables dans le voisinage de l'appareil, ni de tout autre appareil. Une bouteille de propane qui n'est pas raccordée e vue de sa utilisation, ne doit pas être entreposée dans le voisinage de cet appareil ou de tout autre appareil.

Consignes de sécurité

Installateur : Laisser ce manuel avec l'appareil.

Client : Conserver ce manuel pour consultation ultérieure.

⚠ AVERTISSEMENT !

Une installation, un ajustement, une modification, une réparation ou un entretien inapproprié peuvent être la cause de blessures ou de dommages. Veuillez lire attentivement les instructions d'installation, d'utilisation et d'entretien avant d'installer ou de réparer ce matériel.

Ce produit est un appareil décoratif au gaz destiné à un USAGE EXTÉRIEUR SEULEMENT. Ce n'est PAS un appareil de cuisson.

A. Précautions pour l'installation

Placer la table braséro à l'extérieur sur une surface plane et stable située près de la conduite d'alimentation en gaz ou de la bonbonne de propane. NE PAS placer l'appareil à un endroit où il pourrait se faire mouiller excessivement ou être submergé d'eau.

B. Outils et équipement requis

Avant de commencer l'installation, s'assurer d'avoir l'équipement et les outils suivants:

- Gants
- Lunettes de sécurité
- Clé

C. Inspection de l'appareil et des pièces

⚠ AVERTISSEMENT !

Vérifier que l'appareil et les pièces sont en bon état.

Les pièces endommagées pourraient compromettre la sécurité.

- NE PAS installer de pièces endommagées, incomplètes ou de substitution. Signaler les pièces endommagées au détaillant.
- Retirer soigneusement tous les composants du bruleur de l'emballage.
- Lire toutes les instructions avant d'installer le produit, puis les suivre attentivement pour maximiser la sécurité et l'efficacité.

⚠ AVERTISSEMENT !

Risque d'asphyxie

Utiliser ce braséro au gaz à l'extérieur dans un endroit bien ventilé.

Ne pas installer dans une structure fermée ou un endroit non aéré.

⚠ AVERTISSEMENT !

Ne jamais laisser la table braséro sans surveillance.

Ne jamais s'asseoir sur la table braséro.

Ne jamais se servir de la table braséro comme meuble de rangement.

⚠ AVERTISSEMENT !

NE PAS utiliser l'appareil si une pièce quelconque a été immergée. Faire examiner le produit par un technicien qualifié et faire remplacer toute pièce des systèmes de contrôle qui aurait été immergée. Ne pas brûler de combustible solide dans ce braséro.

⚠ AVERTISSEMENT !

1. Les billes de verre peuvent être tranchantes. Pour les manipuler, porter des gants et des lunettes de sécurité.
2. Étaler les billes de verre uniformément sur toute la zone du bruleur (sauf sur la grille, le cas échéant). Elles devraient être de 1,2 à 2,5 cm au-dessus du bruleur.
3. Se tenir loin de la table pour les 20 premières minutes suivant le premier allumage; des billes de verre pourraient être projetées et causer des blessures. Jeter les billes projetées.

Consignes de sécurité

Installateur : Laisser ce manuel avec l'appareil.
Client : Conserver ce manuel pour consultation ultérieure.

⚠ AVERTISSEMENT !

AVERTISSEMENT CONCERNANT LES PILES : Ne pas jeter de piles directement aux ordures ou dans un feu.

⚠ AVERTISSEMENT !

La garantie sera annulée si :

- une pièce endommagée est installée ou utilisée;
- le brûleur est modifié;
- l'installation diffère des instructions du fabricant.

De telles situations pourraient entraîner des risques d'incendie.

Raccordement du gaz et renseignements

A. Combustible

Avant de raccorder le gaz, s'assurer que l'appareil est compatible avec ce dernier.

B. Pression du gaz

Pour un fonctionnement optimal, la pression doit être adéquate. La taille de la conduite d'alimentation en gaz doit répondre aux exigences de la norme NFPA54.

⚠ AVERTISSEMENT !

Risque d'incendie
Risque d'explosion

Vérifier la pression de l'entrée

- Une pression trop élevée peut entraîner une surcombustion.
- Une pression trop basse peut causer une explosion.
- Vérifier la pression lorsque d'autres appareils raccordés à la même source sont en marche.

Installer un régulateur en amont de l'obturateur si la pression dans la conduite est de plus de 0,50 psi.

Les exigences de pression de l'appareil sont indiquées dans le tableau ci-dessous. La pression ne doit pas descendre sous la limite inférieure lorsque d'autres appareils à gaz sont en marche.

Pression	Gaz naturel	Propane
Pression d'entrée minimale	3.5 psi	25 psi
Pression d'entrée maximale	10.5 psi	250 psi

Déconnecter l'appareil et sa soupape d'arrêt de la conduite d'alimentation en gaz si la pression dépasse la limite de 0,50 psi (3,5 kPa). Si, pendant un test de la pression de la conduite d'alimentation en gaz, la pression baisse à 0,50 psi (3,5 kPa) ou moins, déconnecter l'appareil de la conduite d'alimentation en gaz en fermant sa soupape d'arrêt.

C. Raccordement du gaz

Type de régulateur: régulateur de GPL basse pression, régulateur pour des normes spécifiées: EN 16129: 2013.

Remarque: faites installer l'alimentation en gaz conformément aux codes du bâtiment locaux. L'installation doit être effectuée par un installateur qualifié approuvé et/ou autorisé selon les exigences de la localité.

Type de tuyau Flexible: houes de diamètre intérieur de 6,3 mm, 8MM et 10MM Avec BS EN 16436-1:2014+A3:2020 pour le caoutchouc et Tuyaux et assemblages en plastique. Longueur du tube ou flexible Tuyau utilisable pour l'alimentation en gaz de l'appareil Cylindre: 70CM.

⚠ AVERTISSEMENT !

Risque d'incendie
Risque d'explosion

Vérifier la pression de l'entrée

- Le gaz accumulé pendant la purge pourrait s'enflammer.
- La purge doit être effectuée par un technicien qualifié.
- Veiller à ce que la ventilation soit suffisante.
- Veiller à ce qu'il n'y ait aucune source d'inflammation à proximité, comme des étincelles ou des flammes nues.

Consignes de sécurité

Installateur : Laisser ce manuel avec l'appareil.

Client : Conserver ce manuel pour consultation ultérieure.

⚠ AVERTISSEMENT !

VÉRIFICATION DES FUITES DE GAZ

Risque d'incendie

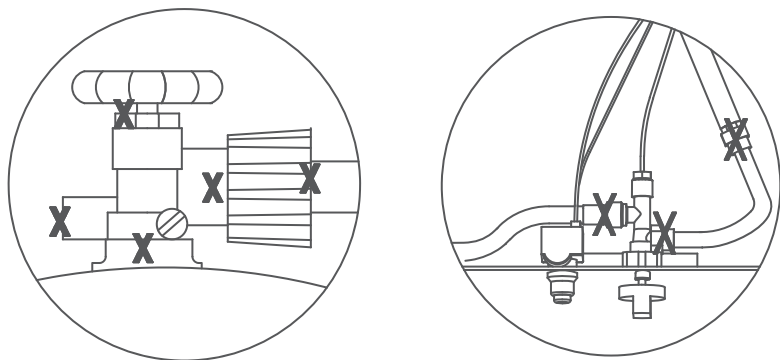
Risque d'explosion

Risque d'asphyxie

- Vérifier tous les raccordements.
- Voir l'image ci-dessous.
- Ne pas utiliser de flamme nue.
- Après l'installation de l'alimentation en gaz, resserrer tous les raccordements et vérifier qu'il n'y a aucune fuite à l'aide d'une solution de détection des fuites vendue sur le marché. Bien rincer toute la solution après la vérification.

Les raccordements peuvent s'être desserrés pendant le transport.

Une petite quantité d'air se trouvera dans les conduites d'alimentation en gaz. Au premier allumage, l'air prendra quelques instants à s'évacuer des conduites. Cela ne se produira pas pour les allumages subséquents. Toujours enfoncer le bouton d'allumage, et le maintenir ainsi, AVANT de mettre le bouton marche/arrêt en position de marche.



Consignes de sécurité

L'installation et les réparations doivent être faites par un technicien qualifié. L'appareil doit être inspecté avant l'utilisation et au moins une fois par année par un technicien qualifié, et peut-être nettoyé à des intervalles plus rapprochés. Il est primordial que le boîtier de contrôle, le brûleur et les voies de circulation d'air restent propres.

Ces instructions ne sont valables que si le code de pays suivant se trouve sur l'appareil. Si ce code n'est pas présent sur l'appareil, il est nécessaire de se référer aux instructions techniques qui fourniront les informations nécessaires concernant la modification de l'appareil aux conditions d'utilisation pour le pays. Avant l'installation, assurez-vous que les conditions locales de distribution et le réglage de l'appareil sont compatibles. Cet appareil a été conçu et fabriqué conformément aux normes EN14543, EN509 (le cas échéant) et EN437 plus les modifications ultérieures (normes de gaz). Cet appareil est conforme aux prescriptions de la Directive européenne (Directive appareils à gaz GAR2016/426/EC).

- *Ne pas utiliser la table braséro comme appareil de cuisson.
 - *Ne brûler que le combustible fourni et destiné à la table braséro. Ne pas verser d'eau dans le brûleur.
 - *Installer le produit conformément aux codes applicables.
 - *Ne pas utiliser la table braséro si une pièce quelconque a été immergée.
 - *Ne pas entreposer de bouteille de propane de rechange ou non raccordée en dessous ou à proximité de la table braséro.
 - *Si la table braséro au propane a été entreposée ou est restée inutilisée pendant un certain temps, vérifier qu'il n'y a aucune fuite de gaz et que le brûleur n'est pas obstrué avant de l'utiliser.
 - *Ne pas allumer le brûleur au propane s'il y a une fuite de gaz.
 - *Ne jamais utiliser une flamme nue pour vérifier s'il y a des fuites.
 - *Aucune matière combustible ne doit se trouver à moins de 18 m (61 pi) du dessus ou à moins de 15 m (48 pi) de l'arrière ou des côtés de la table braséro.
 - *Ne pas poser de couvercle autre que celui de l'appareil ni d'objet inflammable sur ou sous la table braséro.
 - *Ne jamais laisser un enfant utiliser la table braséro au propane. Surveiller les enfants lorsqu'ils se trouvent à proximité de l'appareil.
 - *Les utilisateurs doivent être conscients du danger que représentent les surfaces très chaudes et se tenir à une distance sécuritaire pour éviter de se brûler ou de brûler leurs vêtements.
 - *Faire attention en utilisant la table braséro. Lorsqu'elle est en marche, elle est très chaude et ne devrait jamais être laissée sans surveillance ni déplacée.
 - *Si le feu s'éteint par lui-même, fermer la soupape de l'alimentation en gaz. Suivre les instructions et attendre cinq minutes avant de le rallumer.
 - *Ne jamais brûler de charbon ou tout autre combustible solide dans l'appareil, ni placer des vêtements ou des matières inflammables dessus ou à proximité.
 - *Ne jamais se pencher au-dessus du brûleur ouvert ou placer la main ou les doigts sur la partie supérieure de l'appareil allumé.
 - *S'assurer que les ouvertures du système de ventilation du boîtier cylindrique (TRONC DE LA TABLE BRASÉRO) sont exemptes de débris.
 - *Retirer la pile si la table braséro ne sert pas pendant une longue période.
 - *Pendant le nettoyage de la soupape d'arrêt ou du brûleur, ne pas en agrandir les orifices. La conduite d'alimentation en gaz doit pouvoir évacuer les vapeurs.
 - *La bouteille de propane utilisée doit comporter un collet protégeant la soupape d'arrêt. Ne jamais remplir la bouteille à plus de 80%.
 - *Il est dangereux de convertir au gaz naturel un appareil qui s'alimente au propane ou de tenter d'utiliser du gaz naturel dans celui-ci, et vice versa.
 - *Ne pas utiliser la table braséro dans un véhicule ou sur un bateau. Toujours l'utiliser sur une surface plane à l'extérieur.
 - *Tenir les cordons d'alimentation électrique et la conduite de gaz loin des surfaces chaudes.
 - *Ne pas utiliser la table braséro si des pièces ne sont pas installées.
 - *Tenir loin de l'appareil les matières combustibles, l'essence et les autres liquides et sources de vapeur inflammables.
 - *Avant chaque opération de la table d'incendie, vérifier le tuyau à la recherche de signes d'abrasion ou d'usure excessive en regardant à travers le trou de vérification visuelle. Si le tuyau est endommagé, fissuré ou coupé, il doit être remplacé avant d'utiliser la table à feu à gaz. Le tuyau ne peut être remplacé que par un tuyau Assemblage spécifié par le fabricant. Veuillez composer le 1-888-690-9800.
 - *Ne pas placer la conduite dans un endroit passant où les gens pourraient trébucher dessus ou l'endommager accidentellement.
- Avant chaque utilisation, enlever la roche de lave ou les perles de verre. Examiner le brûleur et ses composants. Si sale, nettoyer avec une brosse douce et une solution d'eau savonneuse. Examinez également la zone autour du brûleur. Toute saleté ou tout corps étranger, comme les toiles d'araignée ou les nids dans cette zone, devrait être enlevé. S'il est évident que le brûleur est endommagé, la table à feu ne doit pas être utilisée. Le brûleur ne peut pas être remplacé. Veuillez composer le 1-888-690-9800.





⚠ AVERTISSEMENT ⚠

INSPECTION DU JOINT DE CAOUTCHOUC DE LA BONBONNE DE PROPANE

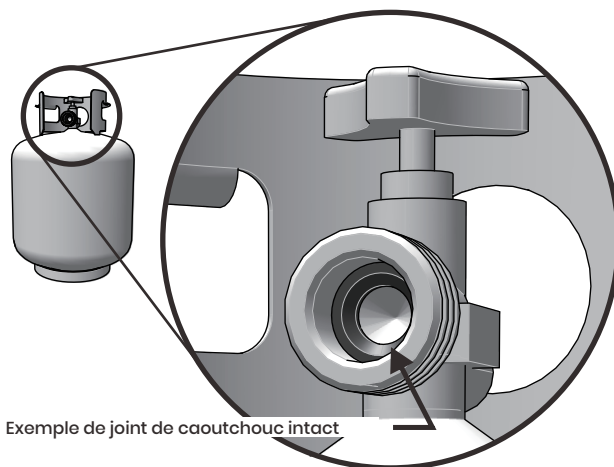
Avant chaque utilisation, vérifier que le joint de caoutchouc de la soupape de la bonbonne de propane ne présente pas de fissures ni de signes d'usure ou de détérioration. Un joint de caoutchouc endommagé peut entraîner une fuite de gaz et ainsi causer une explosion, un incendie et des blessures graves.

Effectuer cette inspection chaque fois que la bonbonne de propane est raccordée à la table braséro, remplie ou ne sert pas pendant plus de 60 jours.

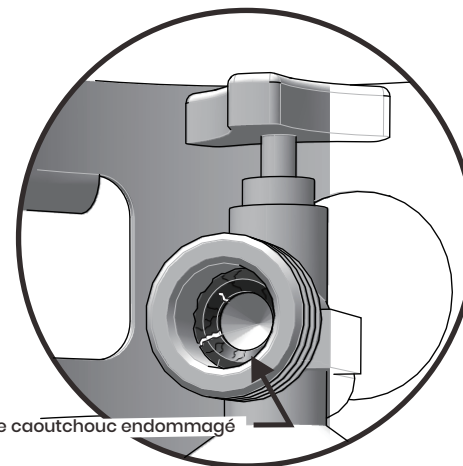
NE PAS utiliser une bonbonne de propane dont le joint de caoutchouc est endommagé.

Le joint **NE PEUT PAS** être réparé ou remplacé. Acheter plutôt une nouvelle bonbonne ou échanger celle qui est défectueuse. Inspecter le joint avant d'accepter une bonbonne neuve ou échangée. **NE PAS** insérer d'outils ou d'objets étrangers dans la soupape de la bonbonne pour éviter d'endommager le joint de caoutchouc.

Il faut suivre la procédure de vérification des fuites détaillée dans le guide de produit/manuel de montage chaque fois que la bonbonne de propane est raccordée à la table braséro. Consulter le guide/manuel pour connaître la procédure recommandée et les endroits à examiner durant la vérification.



Exemple de joint de caoutchouc intact



Exemple de joint de caoutchouc endommagé

Dépannage

	Problème		Causes possibles	Solutions
1.	Le feu ne s'allume pas	A.	La bouteille de propane est vide ou l'alimentation en gaz naturel n'est pas ouverte.	Vérifier le niveau de propane de la bouteille ou la soupape de l'alimentation en gaz naturel.
		B.	L'orifice du bruleur est bloqué.	Vérifier si le bruleur est bloqué. Le cas échéant, le débloquer.
		C.	La pile doit être changée.	Vérifier s'il y a un déclic lorsque le bouton d'allumage est pressé. S'il n'y a pas de déclic audible, vérifier que la pile est bien installée en insérant sa borne négative en premier dans le compartiment. Si l'appareil ne fonctionne toujours pas, remplacer la pile par une pile AAA de 1,5 V neuve. Si le problème persiste, il faudra peut-être nettoyer ou remplacer l'appareil. Pour obtenir de l'aide, appeler notre service à la clientèle au 1 888 690 9800 (États-Unis).
2.	Les flammes sont faibles ou ne restent pas allumées.	A.	La soupape d'arrêt (contrôlée par le bouton marche/arrêt) est ouverte ou n'est pas installée entre la bouteille de gaz et l'appareil.	Fermer la bouteille et la soupape d'arrêt. Ouvrir la bouteille d'abord, puis la soupape.
3.	Les flammes sont bleues.	A.	La situation est normale; les flammes jauniront après 16 à 20 minutes d'utilisation.	Ne rien faire.
		B.	Le mélange d'air et de gaz est incorrect en raison de la position de l'obturateur d'air.	Fermer l'obturateur d'air (laisser une ouverture de 1/4 po pour les bouteilles de propane et de 1/16 po pour l'alimentation en gaz naturel).

	Problème		Causes possibles	Solutions
4.	Un bruit métallique se fait entendre.	A.	Le bruit est causé par l'expansion et la contraction du métal lorsqu'il se réchauffe ou se refroidit, un peu comme le son produit par un calorifère ou des conduits de chauffage. Ce bruit ne nuit aucunement au fonctionnement ou à la longévité de l'appareil.	Ne rien faire.
5.	Les billes décoratives craquent ou se fendent.	A.	La chaleur est trop élevée, ou la température a changé brusquement	En raison des propriétés du verre, cela peut se produire à l'occasion. Ne rien faire, la situation est complètement normale.

Tâches d'entretien et de réparation

Élément	Inspection
Bruleur	1. Retirer les billes décoratives en verre, puis examiner le bruleur. Aspirer ou essuyer les résidus au besoin. Faire preuve de prudence en nettoyant ces pièces.
	2. Vérifier si les pièces sont déformées ou corrodées. Réparer au besoin.
	3. Inspecter la conduite raccordée à la bouteille de propane. La remplacer si elle est endommagée.
	4. S'assurer que l'obturateur d'air est propre.
Allumage et fonctionnement du bruleur	1. Vérifier que tous les raccords sont bien vissés et qu'il n'y a pas de fuites.
	2. Nettoyer le dessus du bruleur. Vérifier que les orifices ne sont pas obstrués et qu'il n'y a pas de corrosion ni de détérioration. Remplacer le bruleur au besoin.
	3. Vérifier s'il y a des problèmes avec les flammes.
	4. S'assurer que l'obturateur d'air est exempt de poussières ou de débris, et qu'il est dans la bonne position pour le type de gaz utilisé.
	5. Vérifier s'il y a de la suie, de la saleté ou de la corrosion dans ou sur les orifices.
	6. Vérifier la pression du manifold et de l'entrée. Ajuster le régulateur au besoin.
Conduite de gaz et régulateur	1. La conduite de gaz et le régulateur fournis avec l'appareil doivent être utilisés dans les installations avec bouteille de propane. Utiliser des pièces de remplacement spécifiées par le fabricant.

Avant l'entreposage

1. Fermer l'alimentation de la bouteille de propane.
2. Tourner le bouton marche/arrêt en position ARRÊT.
N.B. : Il est normal que le gaz restant émette un son en brûlant.
3. Débrancher la bouteille de propane en suivant les indications de la section à ce sujet 6.
4. Nettoyer toutes les surfaces.

⚠ ATTENTION!

- Ne JAMAIS placer de housse sur un appareil chaud.
5. Enduire le bruleur d'une mince couche d'huile de cuisson pour éviter qu'il ne rouille.
 6. Pour l'entreposage à l'intérieur, couvrir l'appareil d'une housse et le ranger dans un endroit sec et frais, loin des enfants et des animaux.
 7. Pour l'entreposage à l'extérieur, couvrir l'appareil avec la housse fournie pour le des intempéries.

Avant de retourner chez le détaillant, appeler notre service à la clientèle au 1 888 690-9800, en semaine, entre 8 h et 17 h (heure du Pacifique) ou entre 11 h et 20 h (heure de l'Est), ou écrire à service@sunvilla.com. Service en anglais et en espagnol.

Montage de la structure et dégagements

Note:

- Ces illustrations montrent des installations types et ne sont fournies QU'À DES FINS DE CONCEPTION SEULEMENT.
- Les illustrations et les diagrammes ne sont pas à l'échelle.
- L'installation réelle peut varier en raison des préférences individuelles.

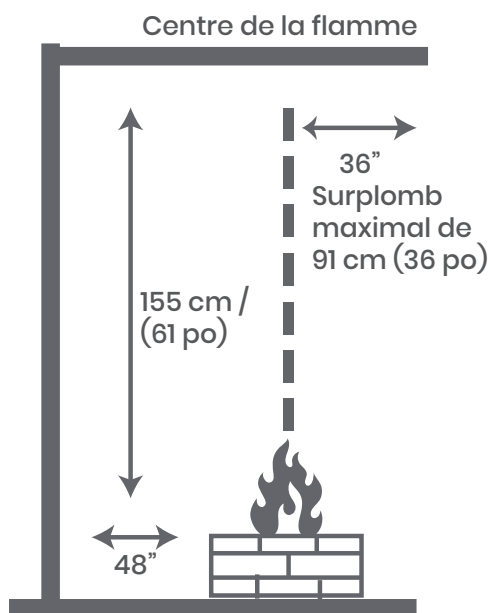
⚠ AVERTISSEMENT

Risque d'incendie

Laisser un dégagement suffisant

- Autour des ouvertures d'aération.
- Accès pour l'entretien.

Placer l'appareil à l'écart des zones passantes.



Combustibles : distances minimales.

Vérification des fuites

1. Mélanger une part de détergent à vaisselle liquide pour trois parts d'eau afin d'obtenir 60 à 90 ml de solution de détection des fuites.
2. S'assurer que les boutons sont en position éteinte.
3. Brancher la bouteille de propane.
4. Ouvrir l'alimentation en propane.
5. Verser plusieurs gouttes de solution avec une cuillère ou une bouteille compressible à tous les endroits marqués d'un « X ».
 - A. Si des bulles apparaissent, fermer l'alimentation en propane, rebrancher la bouteille et refaire le test.
 - B. Si les bulles apparaissent toujours après plusieurs essais, fermer l'alimentation en propane et débrancher la bouteille en suivant les indications de la section 9 à ce sujet. Pour obtenir de l'aide, appeler au 1 888 690 9800.
 - C. Si aucune bulle n'apparaît après une minute, fermer l'alimentation en propane et éponger la solution.

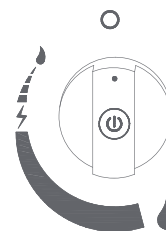
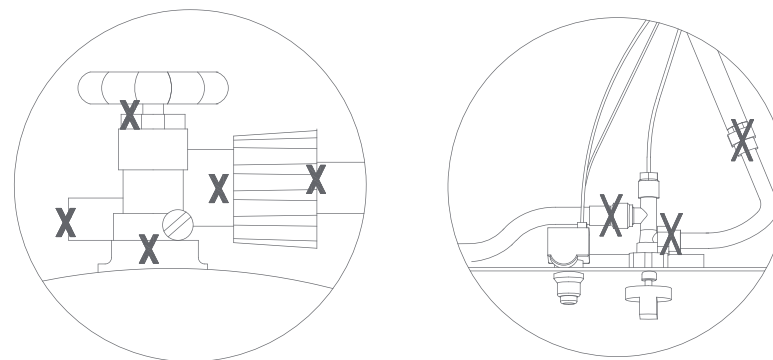


Figure 1

Appareils au propane

Ne pas tenter de débrancher le régulateur de pression ou le raccordement de gaz pendant que l'appareil est allumé.

*Une bouteille de propane bosselée ou rouillée peut constituer un danger et doit être inspectée par le fournisseur de gaz avant l'utilisation.

*Ne pas utiliser une bouteille de propane comportant une soupape endommagée ou des pièces usées.

*Transporter et entreposer les bouteilles de gaz vides avec précaution et selon les normes en vigueur.

*En cas de fuite visible ou de signes de fuite (sifflement, odeur) :

1. fermer l'alimentation et s'éloigner immédiatement de la bouteille et de la table braséro;
2. ne pas tenter pas de régler le problème soi-même;
3. appeler le fournisseur de gaz ou les pompiers.

AVERTISSEMENTS DE SÉCURITÉ

1. Ne jamais laisser la table braséro sans surveillance lorsqu'elle est en marche.
2. Ne pas placer de vêtements ni de matières inflammables sur l'appareil ou à proximité.
3. Tout dispositif de protection enlevé aux fins d'entretien de l'appareil doit être replacé avant la prochaine utilisation.
4. L'installation et les réparations doivent être faites par un technicien qualifié. L'appareil doit être inspecté avant l'utilisation et au moins une fois par année par un technicien qualifié. Il peut être nécessaire de nettoyer l'appareil à des intervalles plus rapprochés. Il est primordial que le boîtier de contrôle, le brûleur et les voies de circulation d'air restent propres.
5. Inspecter le raccordement de la conduite d'alimentation en combustible avant chaque utilisation de l'appareil.
6. Il est permis d'entreposer temporairement l'appareil à l'intérieur seulement s'il a été débranché de la conduite d'alimentation (gaz naturel ou propane).

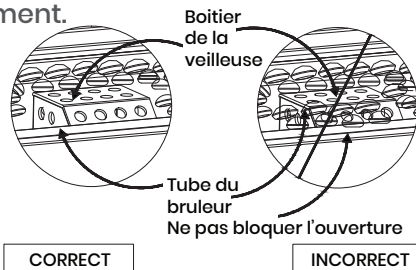
⚠ AVERTISSEMENT!

1. Cet appareil est très chaud lorsqu'il est en marche et peut donc causer de graves brûlures.
2. Ne pas brûler de combustible solide dans cet appareil.

⚠ AVERTISSEMENT!

Cette grille doit être dégagée en tout temps pour que l'appareil fonctionne correctement.

Grille
NE PAS PLACER DE BILLES DE VERRE SUR LA GRILLE. ELLE DOIT DEMEURER DÉGAGÉE.



UTILISATION

⚠ **ATTENTION!** Les enfants comme les adultes doivent être conscients du danger que représentent les surfaces très chaudes et se tenir à l'écart pour éviter de se brûler ou de brûler leurs vêtements. Surveiller les jeunes enfants lorsqu'ils sont près de l'appareil.

⚠ **AVERTISSEMENT!** Ne pas utiliser cet appareil s'il a été plongé, même partiellement, dans l'eau. Appeler un technicien qualifié pour inspecter l'appareil et remplacer toute partie du système de commande et toute commande qui a été plongée dans l'eau.

éclairage

1. Assurez-vous que toutes les étiquettes, tous les matériaux d'emballage et toutes les pellicules protectrices ont été retirés du foyer extérieur.
2. Retirez la housse et le couvercle du foyer extérieur avant l'allumage.
3. Vérifiez que la circulation d'air du brûleur n'est pas entravée. Les araignées, les insectes et les toiles d'araignées peuvent boucher le tube du brûleur ou le tube de venturi. Un tube de brûleur bouché peut causer un incendie.
4. Le bouton de commande doit être à la position «OFF» (arrêt) (figure 1).
5. Enlevez une petite partie des pierres en verre sur le couvercle de l'allumeur.
6. Raccordez la bouteille de GPL selon les instructions à la section « Installation de la bouteille de GPL ».
7. Tournez le robinet de la bouteille de GPL à la position « OPEN » (ouvert).
8. Appuyez sur l'allumeur électronique et gardez-le enfoncé afin de produire des étincelles dans l'électrode; continuez à le maintenir enfoncé.
9. Enfoncez le bouton de commande et tournez-le jusqu'à la position « ON » (marche); continuez à le tenir enfoncé pour laisser le gaz s'écouler pendant 20 secondes.
10. Après 20 secondes, relâchez le bouton de commande et tournez-le dans le sens contraire des aiguilles d'une montre afin de régler la flamme à la hauteur désirée.
11. Si le brûleur ne s'allume pas après 20 secondes, tournez le bouton de commande du brûleur à la position « OFF » (arrêt), attendez 5 minutes, ventilez à l'aide d'un journal ou d'une revue, puis répétez les étapes d'allumage.
12. Si l'allumeur n'allume pas le brûleur : (figure 2)
 - A. En portant des gants résistants à la chaleur, placez une longue allumette allumée ou un long briquet au butane allumé près de l'avant-trou
 - B. Enfoncez et tournez le bouton de commande jusqu'à la position « ON A » (marche).
 - C. Retirez l'allumette ou le briquet lorsque le brûleur est allumé.

⚠ ATTENTION !

Une fois le brûleur allumé, remettre délicatement les billes de verre à leur place avec un accessoire pour foyer et des gants résistants à la chaleur, en prenant soin d'éviter la flamme.

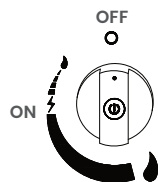


Figure 1

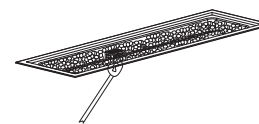
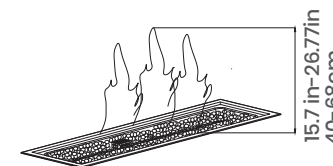


Figure 2



Arrêt

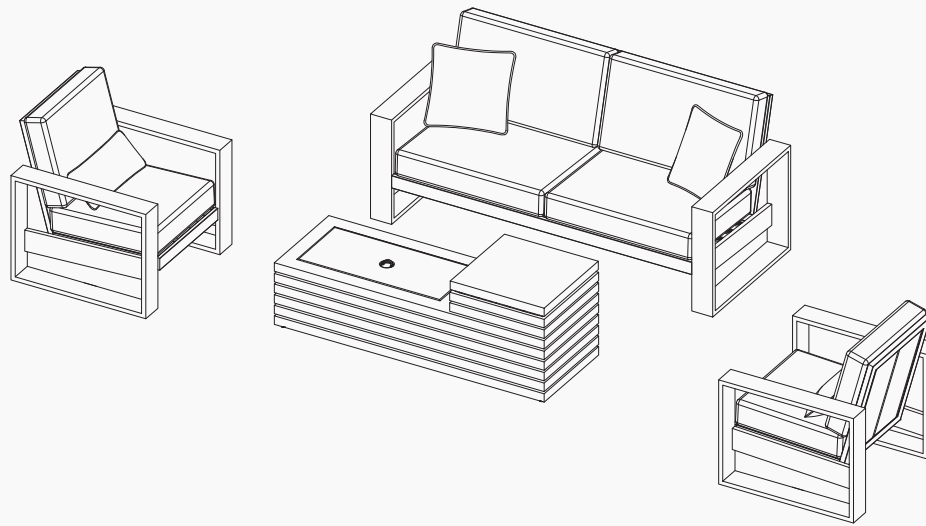
1. Tournez le robinet de la bouteille de GPL jusqu'à la position «CLOSED» .
2. Tournez le bouton de commande jusqu'à la position «OFF».
Remarque : Un son de «pouf» normal, puisque le reste du GPL a été brûlé.
3. Débranchez la bouteille de GPL selon les instructions à la section 9.

Set para patio con asientos amplios con chimenea de 4 piezas

ITM. / ART. # 450974

IMPORTANTE: CONSERVE PARA FUTURA REFERENCIA. LEA CUIDADOSAMENTE

ESTE ARTÍCULO PARA EXTERIORES ES SOLAMENTE PARA USO DOMÉSTICO. NO ES PARA USO COMERCIAL.



¿Preguntas, problemas o piezas faltantes?

Antes de regresar el producto a la tienda, llame a nuestro departamento de Servicio al Cliente al 1-888-690-9800 o envíe un correo electrónico a service@sunvilla.com, de lunes a viernes, de 8:00 am a 5:00 pm, hora del Pacífico de E.U.A o de 11:00 am a 8:00 pm, hora del Este de E.U.A.

Inglés y español.

PREPARACIÓN



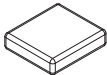
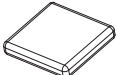

Antes de comenzar a ensamblar este producto, asegúrese que todas las piezas estén completas. Compare las piezas con el listado de contenido de piezas y de herramientas del empaque. No intente ensamblar el producto si faltase alguna pieza o si estuviera dañada. Si así fuera, no continúe y llame a nuestro centro de servicio al cliente. Tiempo estimado de ensamble: 45 minutos. Herramientas requeridas para el ensamble: Llave Inglesa (incluida)

⚠ INFORMACIÓN DE SEGURIDAD

Por favor lea con atención este manual completo antes de ensamblar o instalar el producto. Los niños no deben participar en la operación, el ensamblaje, remoción o desmontaje del producto.

Lista de piezas de la silla

⚠ ADVERTENCIA: Para evitar daños a su nuevo muebles de patio, utilice la caja de cartón u otra superficie blanda, como una alfombra, como superficie de trabajo para evitar daños al producto durante el montaje.

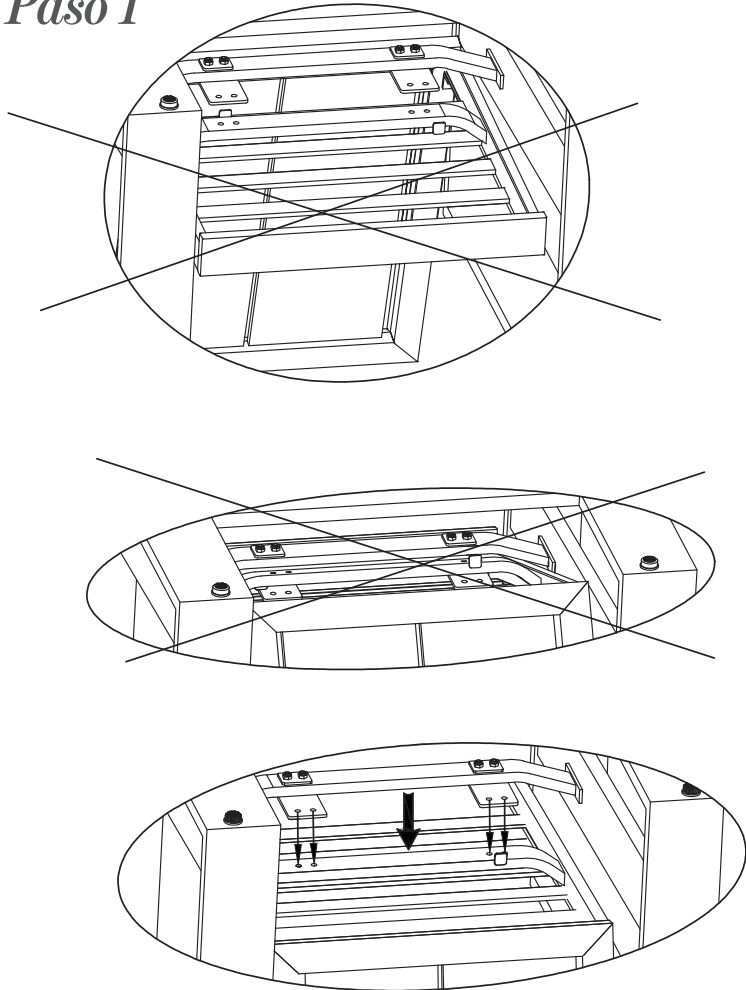
PIEZA NÚM.	DESCRIPCIÓN	CANT.
A	 Asiento de la silla	2
B	 Base giratoria	2
C	 Cojín de asiento	2
D	 Cojín de respaldo	2
E	 Almohada lumbar	2

PIEZA NÚM.	DESCRIPCIÓN	CANT.
AA	 Perno M8x45	8
BB	 Arandela plana	8
CC	 Arandela	8
DD	 Tuerca	8
EE	 Llave inglesa	2

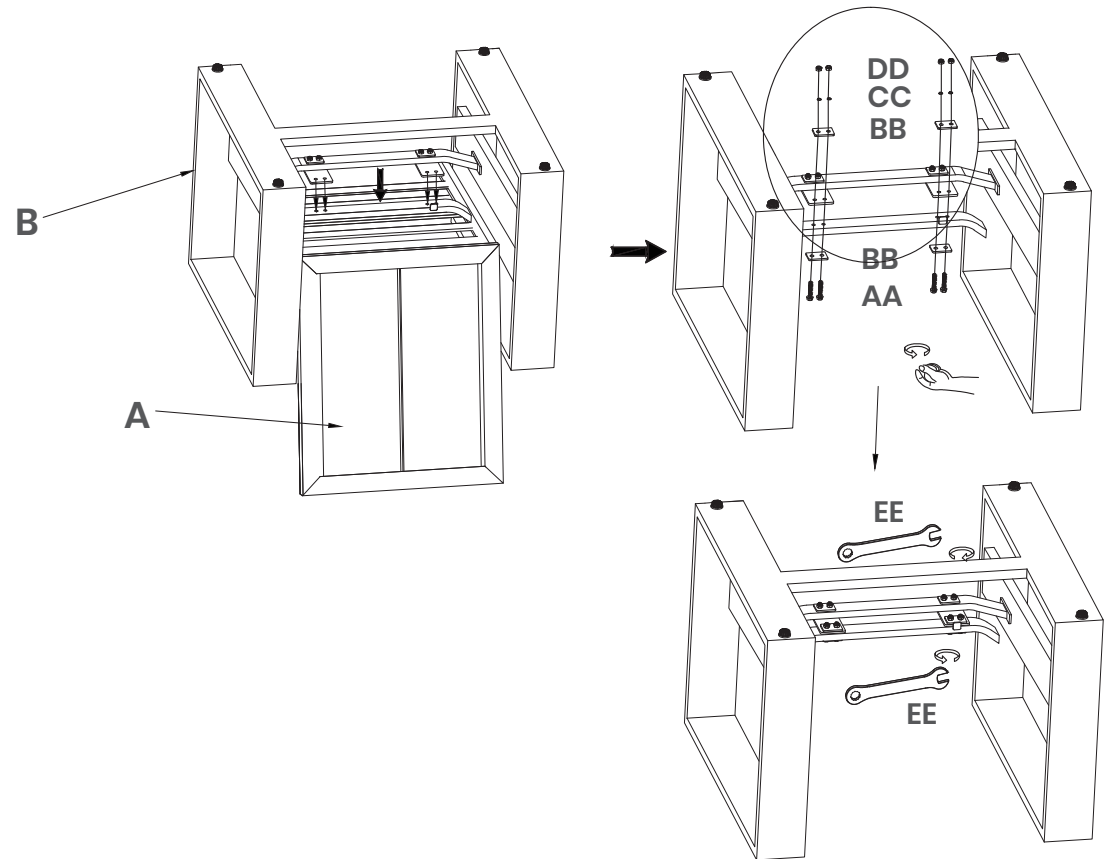
IMPORTANTE: Conserve para futura referencia, lea cuidadosamente

Ensamblaje de la silla

Paso 1

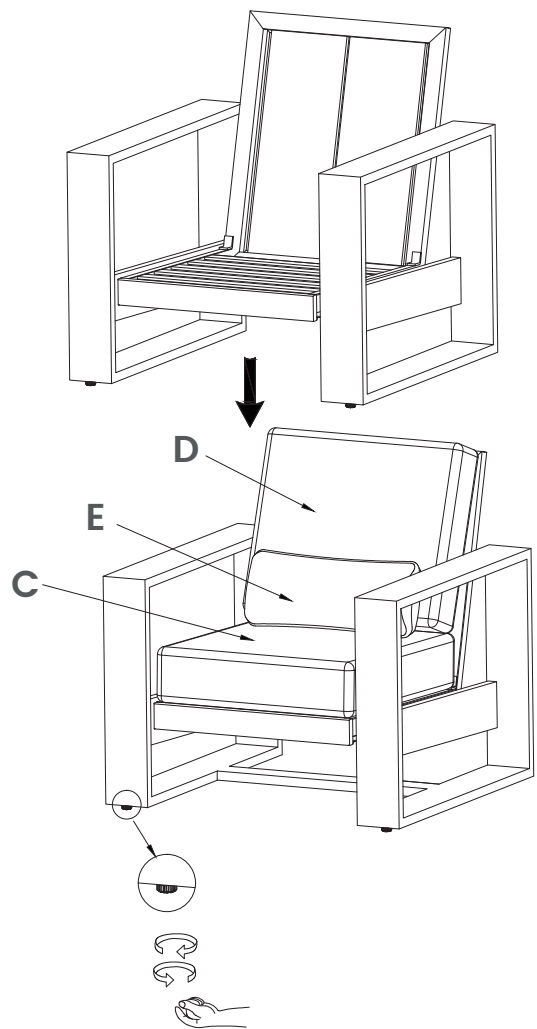


Paso 2

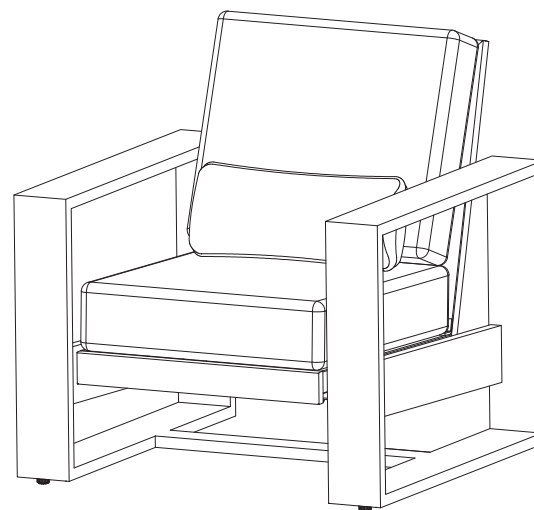


Ensamblaje de la silla (cont.)

Paso 3

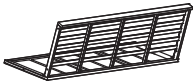
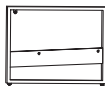
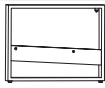

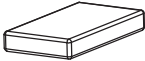
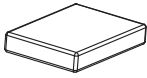








Paso 4



Lista de piezas del sofá

⚠ ADVERTENCIA: Para evitar daños a su nuevo muebles de patio, utilice la caja de cartón u otra superficie blanda, como una alfombra, como superficie de trabajo para evitar daños al producto durante el montaje.

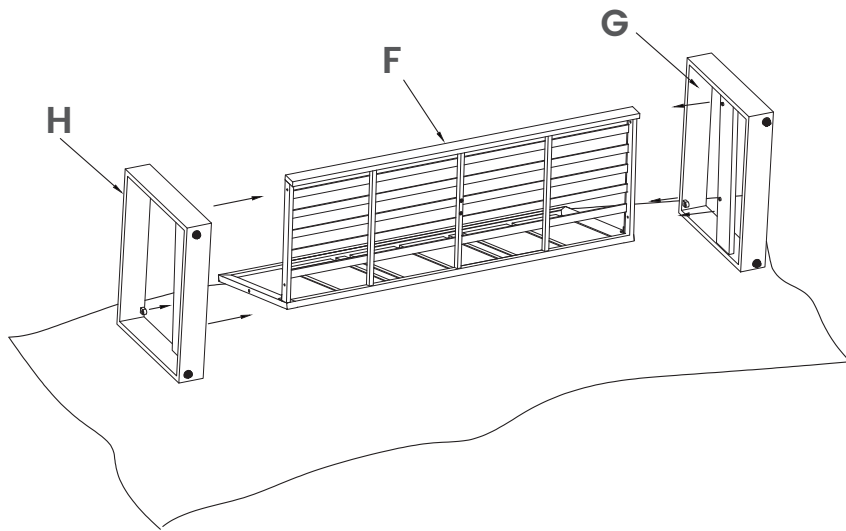
PIEZA NÚM.	DESCRIPCIÓN	CANT.
F	 Asiento del sofá	1
G	 Brazo izquierdo	1
H	 Brazo derecho	1
I	 Pata central	1
J	 Cojín de respaldo	2
K	 Cojín de asiento	2
L	 Cojín decorativo	2

PIEZA NÚM.	DESCRIPCIÓN	CANT.
FF	 Perno M8x30	2
GG	 Perno M8x40	4
HH	 Perno M8x20	2
EE	 Llave inglesa	1
II	 Llave hexagonal	1

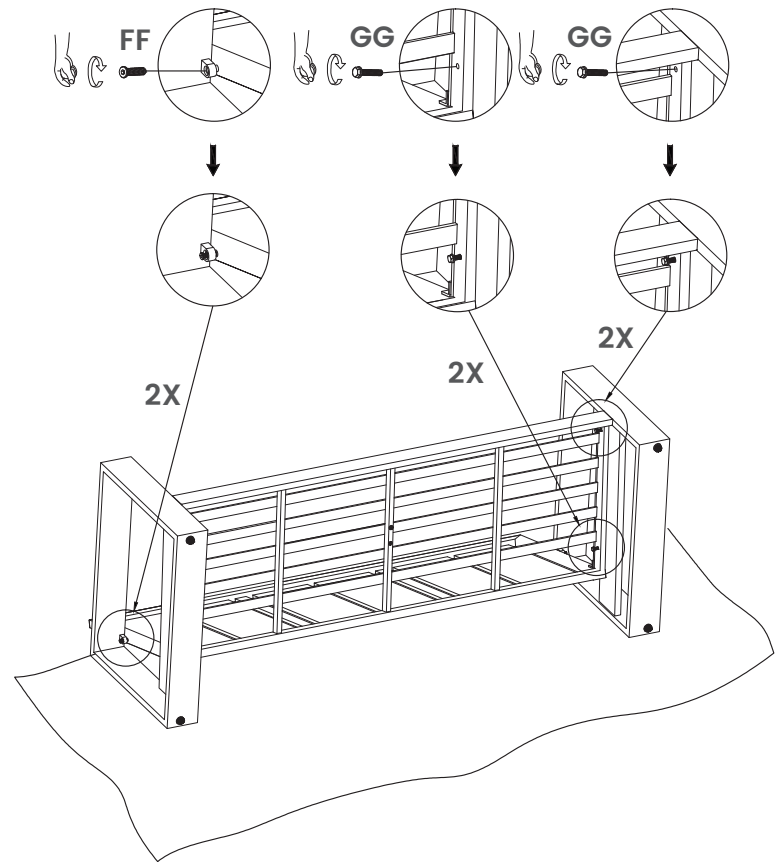
IMPORTANTE: Conserve para futura referencia, lea cuidadosamente

Ensamblaje del sofá

Paso 1

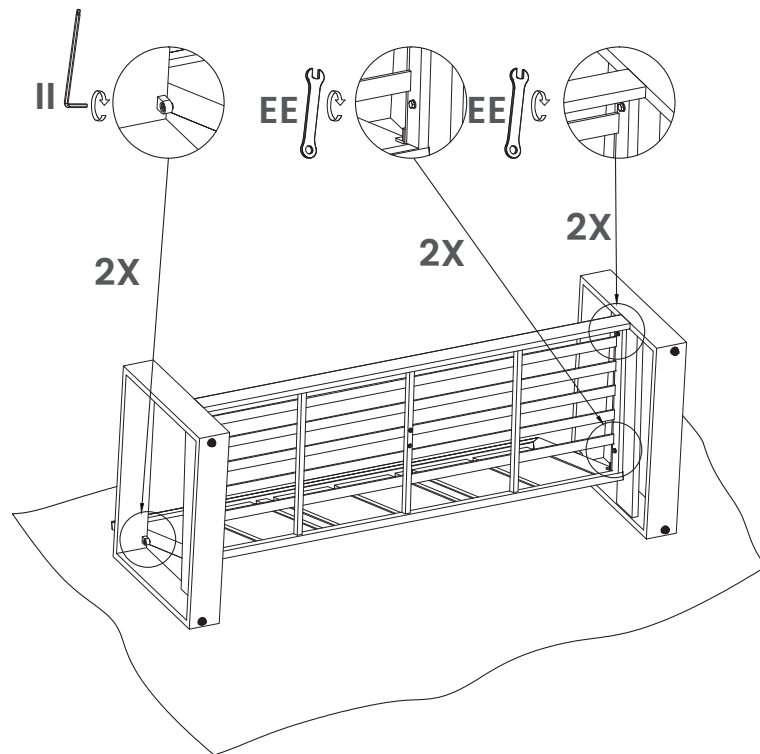


Paso 2

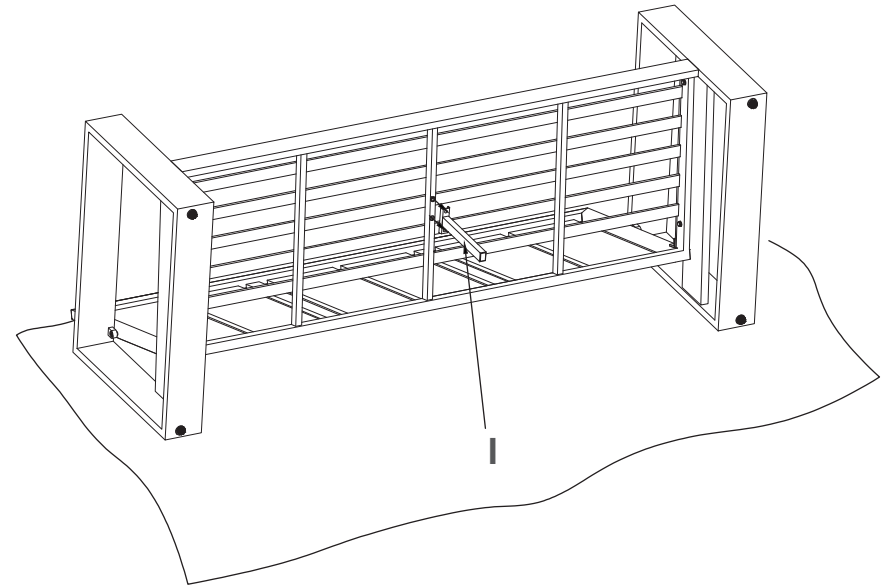


Ensamblaje del sofá (cont.)

Paso 3

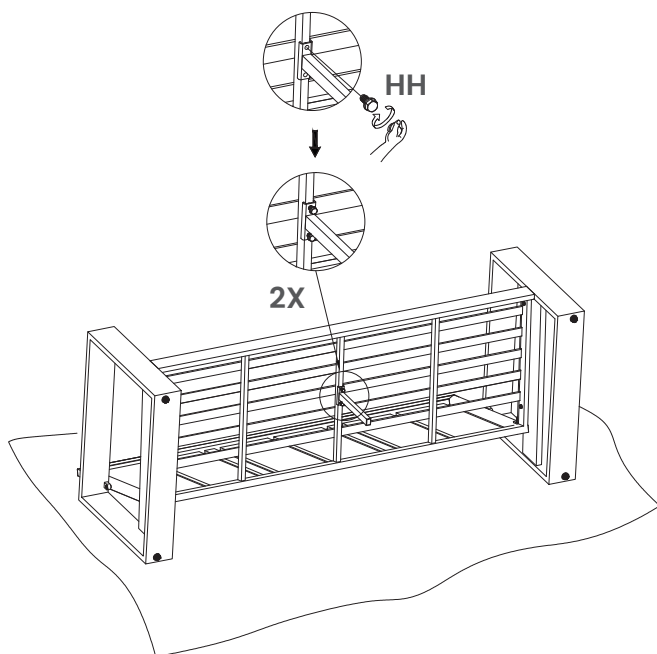


Paso 4

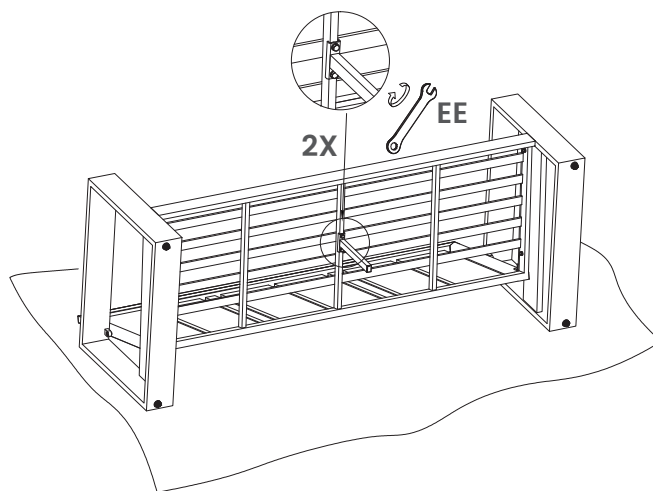


Ensamblaje del sofá (cont.)

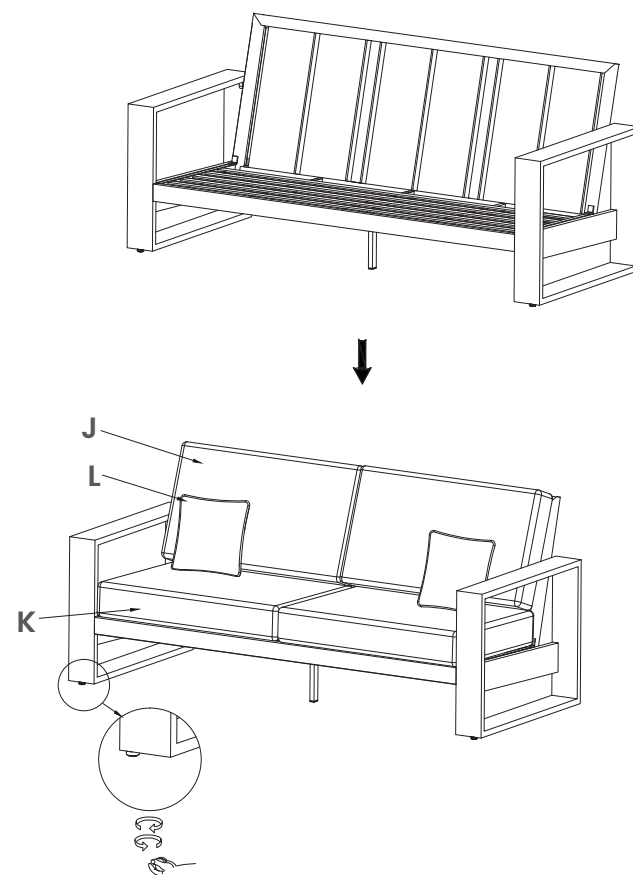
Paso 5



Paso 6

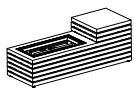
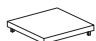
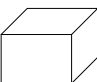
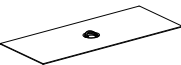
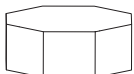


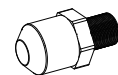
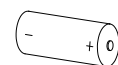
Paso 7



Lista de piezas de la Mesa con Chimenea

⚠ ADVERTENCIA: Para evitar daños a su nuevo muebles de patio, utilice la caja de cartón u otra superficie blanda, como una alfombra, como superficie de trabajo para evitar daños al producto durante el montaje.

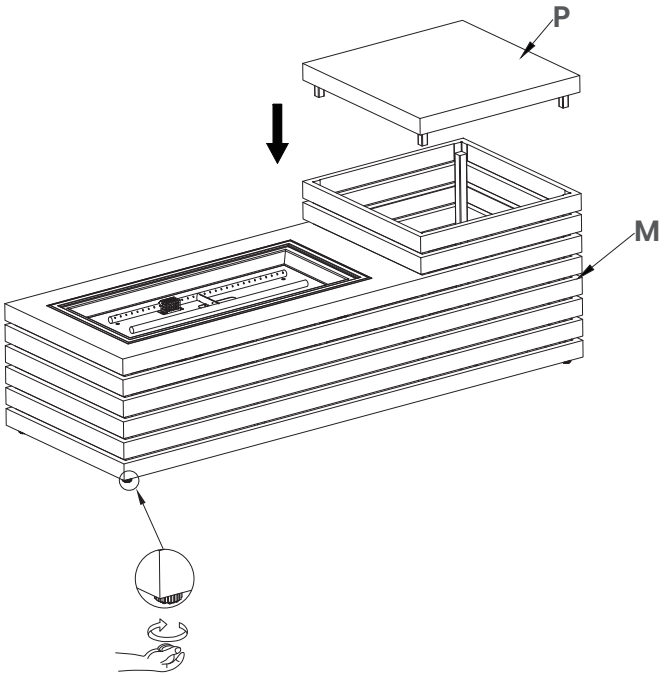
PIEZA NÚM.	DESCRIPCIÓN	CANT.
M	 Mesa con Chimenea	1
P	 Tapa del tanque de propano	1
N	 Perlas de vidrio	1
O	 Tapa	1
Z	 Cubierta para muebles	1

PIEZA NÚM.	DESCRIPCIÓN	CANT.
JJ	 Boquilla para gas natural	1
KK	 AAA Pila	1

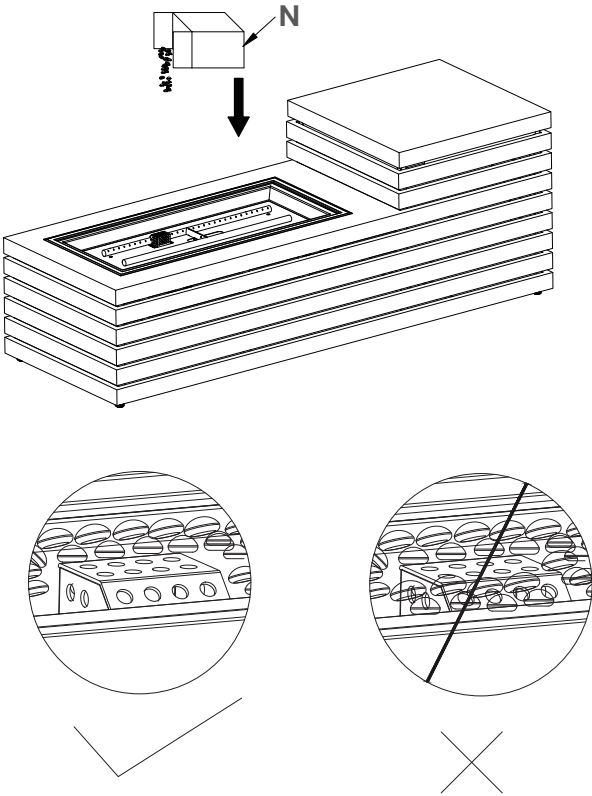
IMPORTANTE: Conserve para futura referencia, lea cuidadosamente

Ensamblaje de la mesa con chimenea

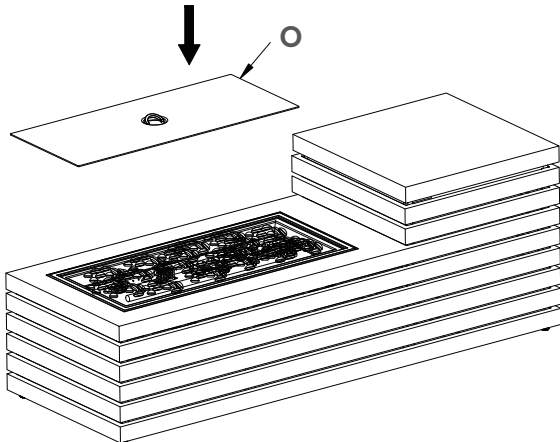
Paso 1



Paso 2

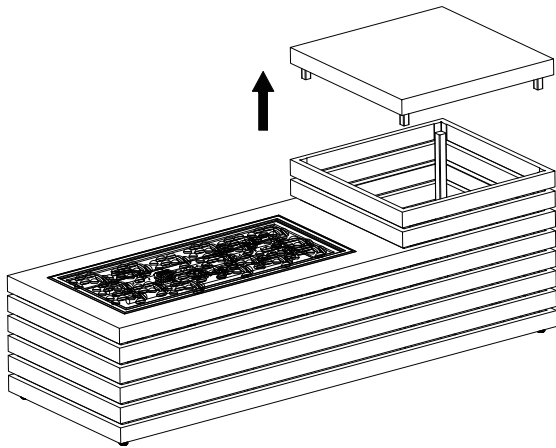


Paso 3

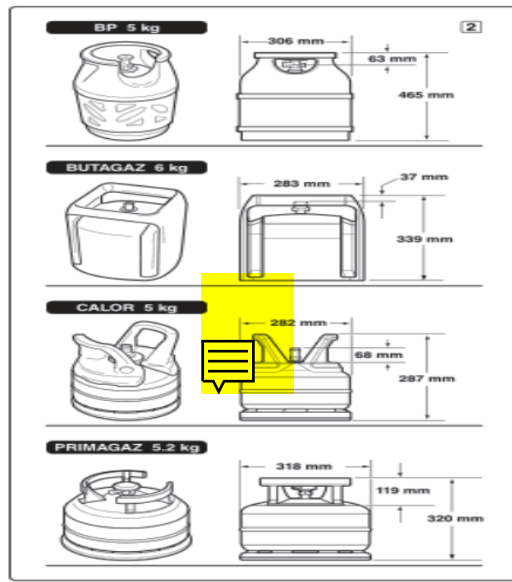
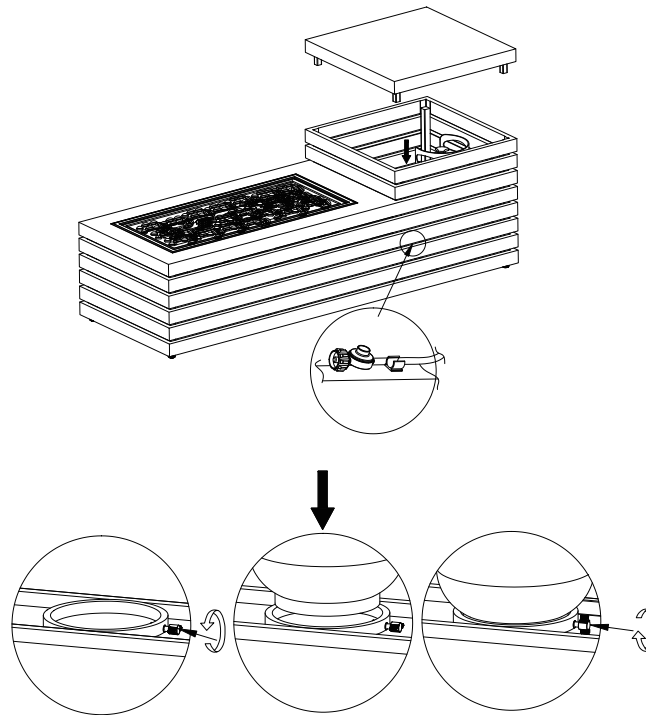


Ensamblaje de la mesa con chimenea (Cont.)

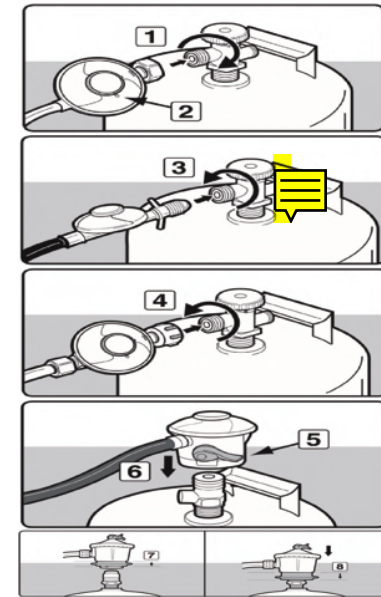
Paso 4



Paso 5

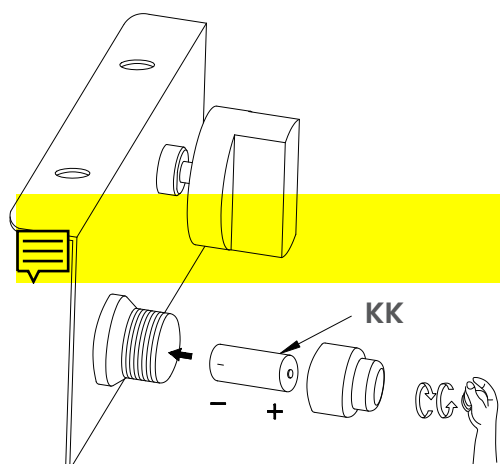


Paso 6

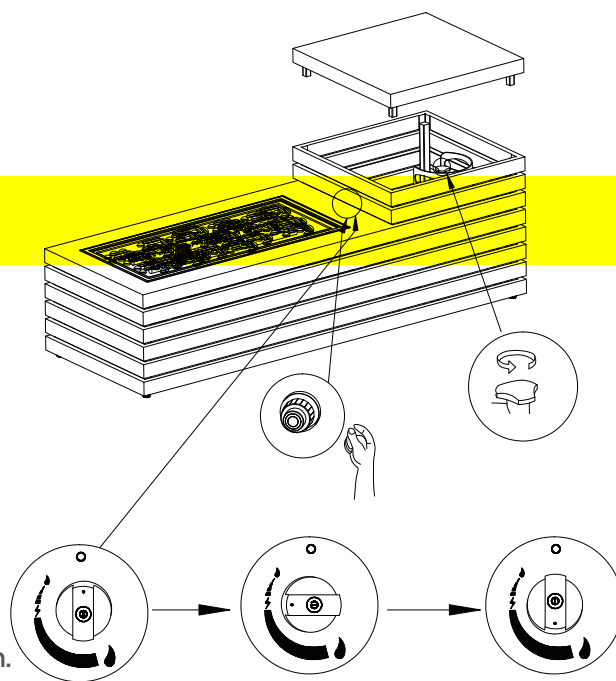


Ensamblaje de la mesa con chimenea (Cont.)

Paso 7

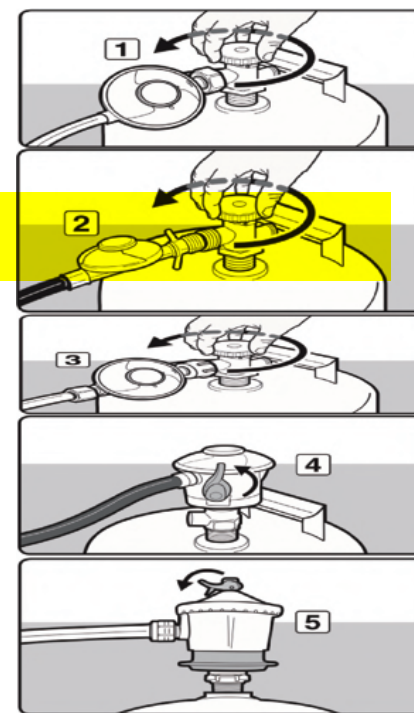


Paso 8



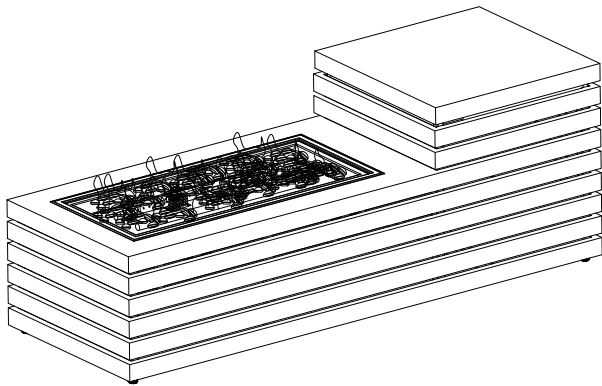
- Asegúrese de que la pila y los contactos de la pila estén limpios y secos antes de la instalación.
- Asegúrese de que las pilas estén instaladas correctamente con respecto a la polaridad (+ y -).
- Retire las pilas de los muebles que no vaya a utilizar durante un periodo prolongado de tiempo.

Paso 9

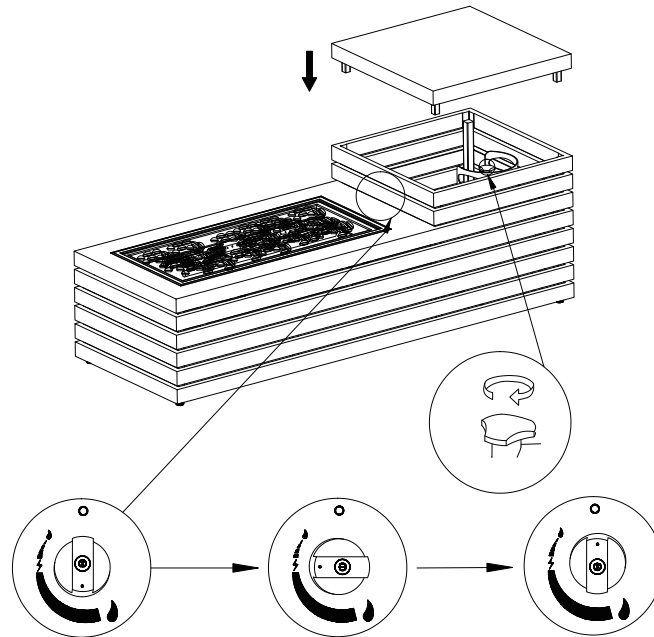


Ensamblaje de la mesa con chimenea (Cont.)

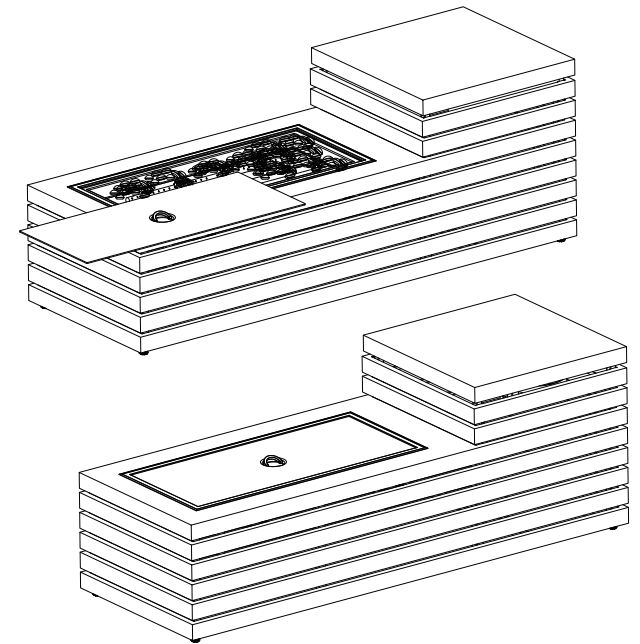
Paso 10



Paso 11



Paso 12



Cuidados y mantenimiento

Armazón de la silla

Lave a mano con jabón suave y enjuague bien con agua. Seque con un paño suave.
No use limpiadores abrasivos ni talle muy fuerte ya que esto puede dañar la superficie.

Tela de la silla

La tela Sunbrella® debe limpiarse regularmente. Elimine toda la suciedad suelta y lave con una solución de agua tibia y jabón suave. Para manchas difíciles y moho, lave con una solución de 236 mL (1 taza) de blanqueador y 59 mL (1/4 de taza) de jabón suave por cada 3,8 L (1 galón) de agua. Enjuague bien para retirar el jabón. Permita que la tela seque al aire. Nota: No lave a máquina. La exposición prolongada a los elementos climáticos puede contribuir a que los cojines se saturen de agua. Para evitar esto, deje que sus cojines se sequen al aire correctamente siguiendo estos rápidos consejos:

1. Abra la cremallera de la funda del cojín para ventilar y facilitar el proceso de secado. *No retire las fundas de los cojines por completo.
2. Coloque los cojines en posición vertical, con la cremallera hacia abajo para que el exceso de humedad se drene más rápidamente.

Para obtener los mejores resultados, guarde los cojines en el interior durante las inclemencias del tiempo y las estaciones lluviosas.

Cojín

Para asegurar una larga duración de su conjunto de muebles para el patio, todos los cojines de los asientos están fabricados con espuma de alta densidad. Con el uso inicial, los cojines pueden parecer rígidos, pero con el uso continuado se ablandarán y proporcionarán el máximo confort en el futuro.

Mesa con Chimenea

Lave a mano con jabón suave y enjuague bien con agua. Seque con un paño suave.
No use limpiadores abrasivos ni talle muy fuerte ya que esto puede dañar la superficie.

Información de seguridad

Técnico instalador: Deje este manual junto con el aparato. **Propietario:** Conserve este manual para referencia futura.

Este aparato fue diseñado y fabricado de acuerdo con las normas EN14543, EN509 (en su caso) y EN437 Plus Modificaciones posteriores (normas sobre el gas). Este aparato cumple con las prescripciones de la directiva europea (directiva de aparatos de Gas GAR2016/426/ CE).

⚠ ADVERTENCIA !

CALIENTE! NO TOCAR, PUEDEN PRODUCIRSE QUEMADURAS GRAVES. LA ROPA PUEDE INCENDIARSE.



- El vidrio y otras superficies se calentarán durante la operación y se enfriarán.
- Los niños pequeños deben ser estrictamente supervisados cuando se encuentren cerca del aparato.
- Se debe alertar a niños y adultos del peligro que representan las superficies expuestas a altas temperaturas y la importancia de mantenerse a una distancia para evitar quemaduras o la ignición de la ropa.
- No cuelgue ropa ni otros materiales inflamables sobre el aparato, ni cerca de el mismo.

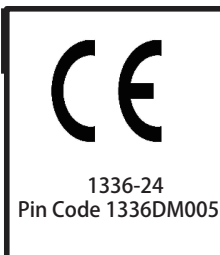
⚠ PRECAUCIÓN! El aparato estará caliente durante su operación. No tocar. Mantenga limpia el área del quemador.

⚠ ADVERTENCIA ! Únicamente para uso en exteriores. La instalación y servicio deben ser realizados por un técnico calificado, una agencia de servicio o el proveedor de gas.

⚠ PELIGRO ! RIESGO DE EXHALACIÓN DE MONÓXIDO DE CARBONO
Este aparato produce monóxido de carbono que no tiene olor. Su uso en un espacio cerrado puede ser mortal. Nunca utilice este aparato dentro de un espacio cerrado, como una casa rodante, un auto, o al interior de la casa.



⚠ ADVERTENCIA! Si no sigue la información de este manual al pie de la letra, podría ocasionar un incendio o una explosión provocando daños a la propiedad, lesiones personales o la muerte.



⚠ PRECAUCIÓN!

NO DESECHE ESTE MANUAL

Incluye instrucciones importantes de operación y mantenimiento. Lea, comprenda y siga estas/ instrucciones para la instalación y operación segura.



⚠ PELIGRO!

Si huele a gas:

- Cierre el paso de gas al aparato.
 - Apague cualquier llama abierta.
 - Si el olor persiste, abandone el área inmediatamente.
 - Después de abandonar el área, llame a su proveedor de gas o al departamento de incendios.
- Si no sigue estas instrucciones, podría producirse un incendio o una explosión, lo que podría causar daños materiales, lesiones personales o la muerte.

⚠ ADVERTENCIA!

No almacene o utilice gasolina u otros vapores y líquidos inflamables cerca de éste o cualquier otro electrodoméstico. No almacene cilindros de gas LP desconectados cerca de este o cualquier otro electrodoméstico.

Información de seguridad

Técnico instalador: Deje este manual junto con el aparato.

Propietario: Conserve este manual para referencia futura.

⚠ ADVERTENCIA!

La instalación incorrecta o las alteraciones a la configuración, servicio o mantenimiento pueden ocasionar lesiones o daños materiales. Lea las instrucciones de instalación y mantenimiento antes de instalar o dar mantenimiento a este equipo.

Este electrodoméstico es un Aparato a Gas Decorativo, únicamente para USO en EXTERIORES y NO debe ser utilizado para cocinar.

A. Consideraciones de diseño e instalación

Coloque la chimenea sobre una superficie plana y estable, en un lugar al aire libre adyacente a la línea de suministro de gas o cilindro de gas LP. NO coloque el dispositivo donde esté excesivamente húmedo o sumergido en agua.

B. Herramientas y suministros necesarios

Antes de comenzar la instalación, asegúrese de tener a la mano las siguientes herramientas y accesorios.

- Guantes
- Gafas de seguridad
- Llave inglesa

C. Inspeccione el aparato y sus componentes

⚠ ADVERTENCIA!

Inspeccione el aparato y sus componentes para detectar daños. Las piezas dañadas pueden afectar la operación segura.

- NO instale componentes dañados, incompletos o sustituya los componentes. Reporte las piezas dañadas a su distribuidor.
- Retire cuidadosamente todos los componentes del quemador del empaque.
- Lea todas las instrucciones antes de comenzar la instalación. Siga estas instrucciones cuidadosamente durante la instalación para asegurar una máxima seguridad y beneficio.

⚠ ADVERTENCIA!

Riesgo de asfixia

Este aparato a gas es para uso en exteriores, en un espacio bien ventilado. Esta unidad no debe ser instalada dentro de una estructura cerrada o un área sin ventilación.

⚠ ADVERTENCIA!

Nunca deje la chimenea sin supervisión durante ningún período de tiempo. Nunca se siente sobre la chimenea.

Nunca use la chimenea como una unidad de almacenamiento.

⚠ ADVERTENCIA!

NO utilice este aparato si alguna de sus partes ha sido sumergida en el agua. Llame de inmediato a un servicio técnico calificado para revisar el aparato y reemplazar cualquier pieza del sistema de control y del sistema de gas que haya estado expuesta al agua. No quemé combustibles sólidos en este dispositivo a gas.

⚠ ADVERTENCIA!

1. Los cristales pueden tener bordes muy afilados. Use guantes y gafas de seguridad al manipular.
2. Vierta uniformemente los cristales en la zona del quemador (con excepción de la pantalla, sicuenta con una). Los cristales deben estar a 1 cm- 2,5 cm sobre el quemador.
3. Manténgase lejos de la unidad los primeros 20 minutos después de encender la unidad por primera vez ya que los cristales podrían saltar y causar lesiones. Si alguna roca saltara fuera, deséchela.

Información de seguridad

Técnico instalador: Deje este manual junto con el aparato.
Propietario: Conserve este manual para referencia futura.

⚠ ADVERTENCIA!

Nunca deseche la pila directamente en la basura o la arroje al fuego.

⚠ ADVERTENCIA!

Se anulará la garantía, en caso de presentarse lo siguiente:

- Instalación y uso de cualquier componente dañado.
- Modificación del ensamble del quemador.
- Instalación distinta a la especificada por el fabricante.

Dicha acción podría provocar un riesgo de incendio.

Conexión e Información del Suministro de Gas

A. Combustible

Antes de hacer las conexiones de gas, asegúrese de que el dispositivo a ser instalado sea compatible con el tipo de gas disponible.

B. Presión de gas

Presiones de entrada apropiadas son necesarias para un óptimo rendimiento. Los requerimientos para las dimensiones de las tuberías de suministro de gas deberán realizarse conforme a la norma NFPA54.

⚠ ADVERTENCIA!

Riesgo de incendio

Riesgo de explosión

Compruebe las presiones de entrada

- Una presión alta puede causar flamas muy altas
- La presión baja puede causar explosiones.
- Verifique las presiones mínimas cuando otros aparatos domésticos a gas estén en operación.

Instale el regulador antes de la válvula si la presión es mayor a 1/2psi.

Los requerimientos de presión para el dispositivo se muestran en la tabla siguiente. Se debe cumplir con las presiones mínimas requeridas cuando otros aparatos domésticos de gas estén en operación.

Presión	Gas natural	Gas propano
Presión mínima de entrada	3.5 in w.c.	25 psi
Presión máxima de entrada	10.5 in w.c.	250 psi

Tanto el aparato como la válvula individual de paso deben estar desconectados del sistema de tuberías de suministro de gas cuando la presión exceda 1/2 psi (3,5 kPa). Este dispositivo debe aislarse del sistema de tuberías de suministro de gas, cerrando su válvula de cierre durante toda prueba de presión del sistema de suministro de gas en presiones iguales o menores a 1/2 psi (3,5 kPa).

C. Conexión de gas

Tipo de regulador: regulador GLP de baja presión, regulador para especificado Normas: EN 16129: 2013.

Nota: tener el suministro de gas instalado de acuerdo con el edificio local Códigos. La instalación debe ser hecha por un instalador calificado aprobado y / O con licencia según lo requiera la localidad.

Tipo de manguera Flexible: azadas de 6,3 mm, 8MM y 10MM de diámetro interior Con BS EN 16436-1:2014+A3:2020 para caucho y Manguy manguflexibles de plástico. Longitud de la tubería o flexible Manguera utilizable para el suministro de gas al aparato desde el gas Cilindro: 70CM.

⚠ ADVERTENCIA!

Riesgo de incendio

Riesgo de explosión

Compruebe las presiones de entrada

- La acumulación de gas durante la purga de la línea puede causar la ignición.
- La purga debe realizarse por un técnico calificado.
- Compruebe que exista una ventilación adecuada.
- Asegúrese de que no haya ninguna fuente de ignición como chispas o llamas.

Información de seguridad

Técnico instalador: Deje este manual junto con el aparato.

Propietario: Conserve este manual para referencia futura.

⚠ ADVERTENCIA

VERIFIQUE SI HAY FUGAS DE GAS

Riesgo de incendio

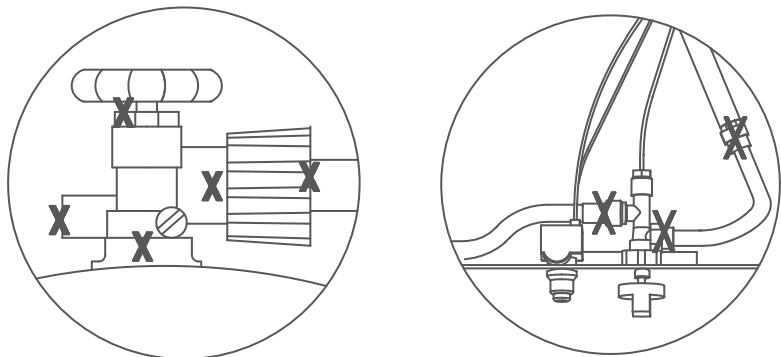
Riesgo de explosión

Riesgo de asfixia

- Compruebe todas las conexiones y accesorios. Por favor vea la imagen debajo.
- No utilice fuego directo.
- Una vez finalizada la instalación de la línea de gas, todas las conexiones deben apretarse y comprobar si hay fugas con una solución comercial para la detección de fugas. Asegúrese de enjuagar por completo la solución para la detección de fugas. Asegúrese de enjuagar toda solución para detección de fugas después de hacer la prueba.

Los accesorios y conexiones pueden haberse aflojado durante el transporte y manejo.

Una pequeña cantidad de aire estará en las líneas de suministro de gas. Cuando encienda por primera vez el dispositivo, tomará un poco de tiempo hasta que la unidad no requiera dicha purga. Nunca permita que la válvula ON/OFF (ENCENDIDO/APAGADO) permanezca en la posición abierta sin presionar y mantener presionado el botón de encendido PRIMERO.



Información de seguridad

Cada instalación o reparación debe ser realizada por un técnico de servicio calificado. El aparato debe ser inspeccionado antes de su uso y por lo menos una vez al año por un técnico de servicio profesional. La limpieza frecuente es necesaria. Es imprescindible que los compartimientos de control, quemadores y canales de circulación de aire del dispositivo se mantengan siempre limpios.

Estas instrucciones sólo son válidas si el siguiente código de país está en el aparato. Si este código no está presente en el dispositivo es necesario hacerlo Referirse a las instrucciones técnicas que proporcionarán la información necesaria sobre la modificación del aparato a la condición De uso para el país. Antes de la instalación, asegúrese de que las condiciones de distribución local y el ajuste del aparato son compatibles. Este aparato fue diseñado y fabricado de acuerdo con EN14543,EN509 (cuando corresponda) y EN437 más modificaciones posteriores (normas de gas). Este aparato cumple con las prescripciones de la directiva europea (directiva de aparatos de Gas GAR2016/426/ CE).

*No utilice esta chimenea para cocinar.

*No queme otros materiales diferentes a los suministrados, los cuales están destinados a utilizarse con esta chimenea. No vierta agua en la chimenea.

*No utilice esta chimenea si alguna de sus partes ha sido sumergida en el agua.

*No almacene un cilindro de propano líquido de repuesto o desconectado debajo o cerca de esta chimenea.

*Después de un período de almacenamiento o sin utilización, se debe revisar que la chimenea de gas propano no tenga fugas de gas u obstrucciones en el quemador antes de usar.

*No utilice la chimenea de gas propano si detecta fugas de gas. *Nunca encienda una flama para verificar la existencia de fugas.

*Los materiales combustibles nunca deben ser colocados a una distancia menor de 1,5 metros de la parte superior o 1,2 metros de los costados o la parte posterior de la chimenea de propano.

*No coloque cualquier otra cubierta sobre la chimenea o cualquier objeto inflamable sobre o debajo de la chimenea.

*La chimenea de propano nunca debe ser utilizada por los niños. Los niños deben ser supervisados cuando se encuentren cerca del aparato.

* Los usuarios deben estar conscientes del peligro que representan las superficies expuestas a altas temperaturas y la importancia de mantenerse a una distancia segura para evitar quemaduras o la ignición de la ropa.

*Preste atención al utilizar la chimenea. El aparato se calentará durante el uso y nunca se debe dejar desatendido. No mueva la chimenea mientras está en funcionamiento.

*En caso de que el fuego salga de control mientras está encendido, apague la válvula de gas. Siga las instrucciones y espere cinco minutos antes de volver a encender.

*Nunca use carbón o cualquier otro combustible sólido en la chimenea. Nunca seque ropa u otros materiales inflamables sobre o cerca de la chimenea.

*Nunca se incline sobre la chimenea o ponga las manos o los dedos en la parte superior de la unidad en operación.

*Mantenga despejadas y libres de residuos las aberturas de ventilación en el compartimento para el cilindro (CUERPO DE LA CHIMENEA).

*Por favor, retire la pila cuando no utilice la chimenea por un período prolongado de tiempo.

*No agrande los orificios de la válvula o los puertos del quemador cuando limpie la válvula o el quemador. El sistema de suministro del cilindro debe contar con liberación de vapor.

* El cilindro utilizado debe incluir un collar de protección para la válvula del cilindro. * Nunca llene el cilindro más allá del 80%.

*La conversión o tentativa de uso de gas natural en una unidad para gas propano o el utilizar gas propano en una unidad de gas natural es peligroso.

*No use esta chimenea en vehículos o embarcaciones. Siempre utilice el aparato en exteriores en una superficie plana.

*Mantenga cualquier cable de suministro eléctrico y la manguera de suministro de combustible alejado de cualquier superficie caliente.

*No utilice esta chimenea a menos que todas las piezas estén en su lugar.

*El área del aparato debe mantenerse limpia y libre de materiales combustibles, gasolina y otros vapores y líquidos inflamables.

*Antes de cada operación de la mesa de fuego, compruebe la manguera para detectar evidencia de abrasión o desgaste excesivo mirando a través del agujero de comprobación visual. Si la manguera está dañada, agrietada o cortada, debe ser reemplazantes antes de usar la mesa de fuego de gas. El conjunto de manguera solo puede ser sustituido por una manguera Montaje especificado por el fabricante. Llame al 1-888-690-9800.

*Coloque la manguera alejada de caminos donde las personas puedan tropezarse con ella, o en áreas donde la manguera pueda dañarse accidentalmente.

*Antes de cada uso, retire la roca de lava o los granos de vidrio. Examine el quemador y sus componentes. Si está sucio, limpie con un cepillo suave y una solución de agua jabonosa. También examine el área alrededor de la hornilla. Cualquier suciedad o material extraño, como telas de araña o nidos en esta área debe ser removido. Si es evidente que el quemador está dañado, la mesa de fuego no debe usarse. El conjunto del quemador no puede ser sustituido. Llame al 1-888-690-9800.





⚠️ ADVERTENCIA ⚠️

INSPECCIÓN DE LA JUNTA DE GOMA DEL CILINDRO DE GAS LP

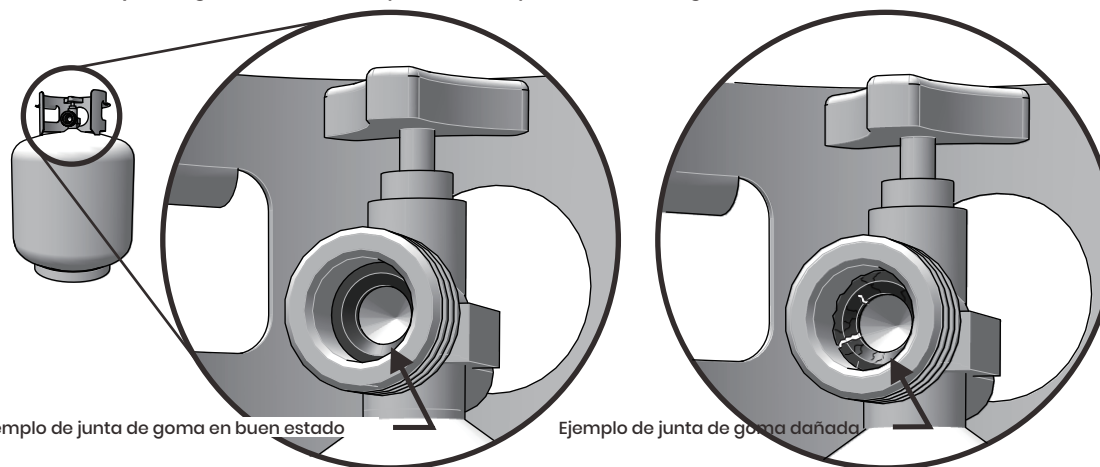
Inspeccione la junta de goma de la válvula del cilindro de gas LP en busca de grietas, desgaste o deterioro antes de cada uso. Una junta de goma dañada puede provocar una fuga de gas, que podría causar una explosión, un incendio o lesiones corporales graves.

Se recomienda que inspeccione la junta de goma cada vez que conecte el cilindro de gas LP al aparato, cada vez que se rellene, o si no se ha utilizado durante más de 60 días.

NO utilice un cilindro de gas LP con una junta de goma dañada. La junta de goma NO puede repararse ni sustituirse

Compre un cilindro nuevo o cámbielo. Usted debe inspeccionar la junta antes de aceptar un cilindro nuevo o intercambiado.

NO introduzca herramientas ni objetos punzantes en la abertura de la válvula del cilindro, ya que podría dañar la junta de goma. El procedimiento de comprobación de fugas descrito en la guía del producto/manual de ensamblaje debe seguirse cada vez que el cilindro de gas LP se conecte al aparato. Consulte la guía del producto/manual de ensamblaje para conocer el procedimiento y los lugares adecuados para la comprobación de fugas.



Solución de problemas

Problema	Causas posibles	Acciones correctivas
1. No prende fuego	A. No hay gas LP en el tanque, o la línea principal de Gas Natural está cerrada.	Revise el tanque de gas LP (propano), puede no tener gas; o verifique la línea principal de la válvula de Gas natural.
	B. Orificio del quemador obstruido.	Compruebe que el orificio del quemador no esté obstruido. Retire la obstrucción.
	C. La pila necesita ser reemplazada.	Asegúrese de escuchar un sonido de "clic" cuando usted presione el botón de encendido. Si no hay sonido, asegúrese de que haya instalado la pila correctamente colocando primero el lado negativo de la pila en el compartimento. Si todavía no funciona, reemplace con una nueva pila "AAA" de 1,5 V. Si la unidad sigue sin funcionar puede requerir limpieza o reemplazo, llame a nuestra línea de atención al cliente de Estados Unidos al 1-88 8-690-9800 para asistencia.
2. Las llamas son muy bajas o no permanecen encendidas	A. La válvula de cierre manual está abierta (perilla de control encendido/apagado) o no está instalada entre el aparato y el tanque de gas LP.	Cierre las válvulas de cierre manual y del tanque LP. Abra primero la válvula del tanque de gas LP y después la válvula de cierre manual.
3. Llamas azules	A. Esto es el resultado de una operación normal las llamas comenzarán a tener un color amarillo a medida que la unidad permanezca encendida durante 16-20 minutos.	No haga nada.
	B. Mezcla inapropiada de aire/combustible relacionada con la posición del obturador de aire.	Cierre la válvula de paso (para gas LP, deje 1/4" (6.3 mm) abierto, para gas natural, 1/16 (1.5mm) abierto).

Problema	Causas posibles	Acciones correctivas
4. Ruido metálico	A. El ruido es causado por el metal que se expande y se contrae al calentarse o enfriarse, un sonido similar al producido por un calefactor o un conducto de calefacción. Este ruido no afecta el funcionamiento ni la vida útil del aparato.	No haga nada.
5. Las piedras decorativas se agrietan o se parten.	A. Calor y/o cambios bruscos de temperatura.	Esto es una propiedad del vidrio y puede suceder de vez en cuando. No haga nada. Esto es completamente normal.

Tareas de cuidado y mantenimiento

Inspeccione	Inspeccione
Ensamble del quemador	1. Retire el vidrio decorativo y revise el quemador. Aspire y limpie según sea necesario. Tenga cuidado al limpiar estas áreas
	2. Revise que no haya deformación o corrosión. Repare de ser necesario.
	3. Revise la manguera que conecta el cilindro de gas LP para asegurarse de que no esté dañada. Repare según sea necesario.
	4. Verifique que el área del obturador de aire esté limpia.
Operación y encendido del quemador	1. Verifique que todas las conexiones estén apretadas y libres de fugas.
	2. Limpie la parte superior del quemador, revise que no haya puertos tapados, corrosión o deterioro. Reemplace el quemador de ser necesario.
	3. Revise si existen problemas con las llamas.
	4. Verifique que el obturador de aire no tenga polvo o suciedad y que esté en la posición correcta para el tipo de gas que se utilice.
	5. Revise que el orificio no tenga hollín, suciedad o corrosión.
	6. Verifique las presiones de entrada y del colector. Ajuste el regulador según sea necesario.
Manguera de gas con regulador	1. La manguera de gas con regulador incluida con el aparato debe utilizarse para las instalaciones de gas LP. En caso de reemplazo, hágalo según lo especificado por fabricante del producto.

Antes de almacenar

1. Gire la válvula del tanque de gas LP a “CLOSED” (CERRADO).
2. Gire las perillas de control a la posición de “OFF” (APAGADO).
Nota: El escuchar un sonido de “puf” es normal cuando lo último del gas se quema.
3. Desconecte el tanque de gas LP de acuerdo a la sección 6.
4. Limpie todas las superficies.

PRECAUCIÓN

- NUNCA coloque la tapa en la chimenea caliente para exteriores.
5. Cubra el quemador con una capa ligera de aceite para cocina para evitar la oxidación excesiva.
 6. Si almacena la chimenea para exteriores en un interior, cubra la chimenea para exteriores y almacénela en un lugar fresco y seco alejado de los niños y mascotas.
 7. Si almacena la chimenea para exteriores al aire libre, cubra la chimenea con la cubierta incluida para protegerla contra la intemperie.

Antes de regresar el producto a la tienda, llame a nuestro Departamento de Servicio al Cliente al 1-888-690-9800 o envíe un correo electrónico a service@sunvilla.com, de lunes a viernes, de 8:00 am a 5:00 pm, hora del Pacífico de E.U.A o de 11:00 am a 8:00 pm, hora del Este de E.U.A. Inglés y español.

Estructuración y espacio requerido

NOTA:

- Las ilustraciones reflejan instalaciones típicas y son PARA PROPÓSITOS DE DISEÑO ÚNICAMENTE.
- Las ilustraciones y diagramas no están dibujados a escala.
- La instalación real puede variar debido a las preferencias individuales de decoración.

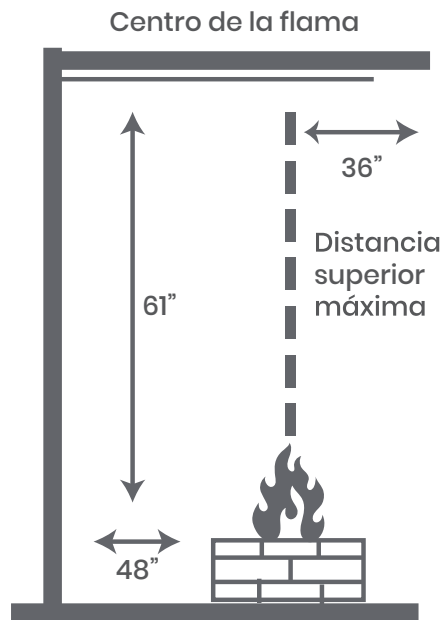
⚠ ADVERTENCIA

Riesgo de incendio

Proporcione una separación adecuada:

- Alrededor de las aberturas de aire.
- De acceso para servicio.

Ubique el aparato lejos de áreas de paso



Distancias para combustibles.

Conexión de gas e información

1. Prepare una solución de 60 mL a 90 mL para la detección de fugas mezclando una parte de detergente líquido para lavar platos con tres partes de agua.
2. Asegúrese de que las perillas de control están en la posición "o";
3. Conecte el tanque de gas LP ;
4. Gire la válvula del tanque de gas LP en la posición de abierto "open";
5. Vierta varias gotas de la solución o utilice una botella de chorro para cubrir todas las áreas "X";
- a. Vierta varias gotas de la solución o utilice una botella de chorro para cubrir todas las áreas "X";
- b. Si sigue viendo burbujas después de varios intentos, gire la válvula del tanque de gas a "CLOSED" y desconecte el tanque de gas de acuerdo con la sección 9. Llame al 888-690-9800 para asistencia;
- c. Si no aparecen burbujas después de un minuto, gire la válvula del tanque de gas LP a "CLOSED" y limpie la solución.

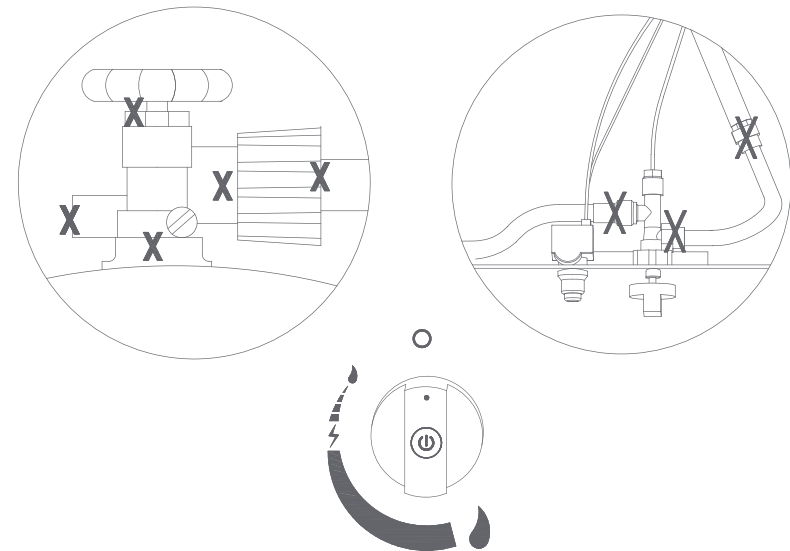


Figura 1

Para unidades de gas lp

*No intente desconectar el regulador de gas o cualquier instalación de gas mientras que la chimenea esté en funcionamiento.

*Un cilindro de propano líquido abollado u oxidado puede ser peligroso y debe ser revisado

*No use un cilindro de propano con una válvula dañada u otras piezas desgastadas.

*Transporte y almacene los cilindros de gas vacíos cuidadosamente y de forma correcta.

*Si usted ve, huele o escucha un silbido del gas escapando del cilindro de propano:

1. Apague el suministro de gas y aléjese del cilindro de gas y de la chimenea inmediatamente;
2. No intente corregir el problema usted mismo;
3. Contacte a su proveedor de gas o al departamento de bomberos para solicitar ayuda.

ADVERTENCIAS DE SEGURIDAD

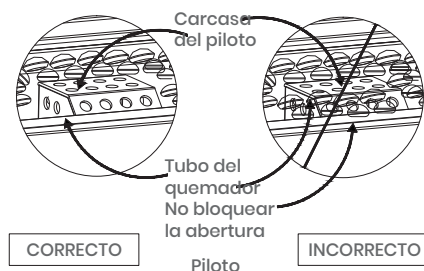
1. Nunca deje desatendida la chimenea durante la operación.
2. No cuelgue ropa ni otros materiales inflamables sobre el aparato, ni cerca del mismo.
3. Previo a su utilización, coloque en su lugar cualquier protección o guarda que haya quitado para dar servicio al aparato.
4. Toda instalación o reparación debe ser realizada por un técnico de servicio calificado. El aparato debe ser inspeccionado antes de su uso y por lo menos una vez al año por un técnico de servicio profesional. La limpieza frecuente es necesaria. Es imprescindible que los compartimientos de control, quemadores y canales de circulación de aire del dispositivo se mantengan siempre limpios.
5. Inspeccione la conexión del suministro de combustible antes de cada uso del aparato.
6. El almacenamiento temporal de este aparato en interiores es permisible sólo si ha sido desconectado del suministro de combustible (línea de gas LP o natural).

⚠ ADVERTENCIA

1. Este aparato estará caliente cuando esté en funcionamiento y puede causar quemaduras severas si entra en contacto con la piel.
2. No quemé combustibles sólidos en este aparato.

⚠ **ADVERTENCIA!** Esta rejilla debe estar libre de obstrucciones en todo momento para asegurar el funcionamiento correcto.

Rejilla
**NO COLOQUE PIEDRAS
DE VIDRIO EN LA
REJILLA. MANTENGA
LA REJILLA LIBRE.**



Operación

⚠ **PRECAUCIÓN!** Se debe alertar a niños y adultos del peligro que representan las superficies expuestas a altas temperaturas y la importancia de mantenerse a una distancia segura para evitar quemaduras o la ignición de la ropa. Los niños pequeños deben ser estrictamente supervisados cuando se encuentren cerca del aparato.

⚠ **ADVERTENCIA!** No utilice este aparato si alguna de sus partes ha sido sumergida en el agua. Llame de inmediato a un servicio técnico calificado para revisar el aparato y reemplazar todas las piezas del sistema de control y del sistema de gas que hayan estado expuestas al agua.

Encendido

1. Asegúrese de que todas las etiquetas, empaques y películas de protección hayan sido removidas de la chimenea para exteriores.
2. Retire la cubierta y la tapa de la chimenea antes de encenderla.
3. Revise que el flujo de aire al quemador no tenga obstrucciones. Las arañas, insectos y telarañas pueden obstruir el tubo del quemador/venturi. Un tubo del quemador obstruido puede provocar un incendio.
4. La perilla de control debe estar en la posición de "OFF" (APAGADO) (Figura 3).
5. Despeje una pequeña área de piedras de vidrio de la tapa del encendedor (Figura 4).
6. Conecte el tanque de gas LP de acuerdo a la sección "Instalación del tanque de Gas LP".
7. Gire la válvula del tanque de gas LP a "OPEN" (ABIERTO).
8. Mantenga oprimido el encendedor electrónico para crear chispas en los electrodos, continúe manteniéndolo oprimido.
9. Oprima la perilla de control y gire a la posición de "ON" (ENCENDIDO), mantenga oprimida la perilla de control para permitir que el gas fluya durante 20 segundos.
10. Después de 20 segundos, suelte y gire la perilla de control hacia la izquierda para ajustar el fuego a la altura deseada.
11. Si no se enciende en 20 segundos, gire la perilla de control del quemador a "OFF" (APAGADO), espere 5 minutos; disipe el aire con un periódico o revista y repita el procedimiento de encendido
12. Si el encendedor no enciende el quemador:
 - a. Coloque un fósforo largo o un encendedor largo de gas butano cerca del compartimento del piloto usando unos guantes resistentes al calor.
 - b. Oprima y gire la perilla de control para encender.
 - c. Retire el fósforo/encendedor una vez que el quemador se encienda.
13. Después de encender, observe la llama del quemador, asegúrese de que todos los puertos estén encendidos y que la altura de la llama coincida con la ilustración (Figura 3).

⚠ PRECAUCIÓN!

Después de encender la chimenea con una herramienta y guantes resistentes al calor, mueva con cuidado las cuentas de vidrio a su posición correcta, teniendo cuidado para evitar las llamas.

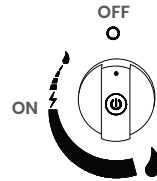


Figure 1

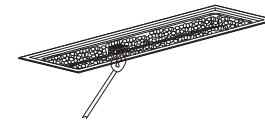
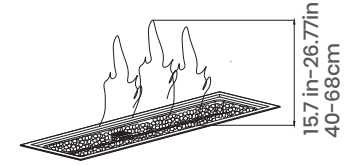


Figure 2



PARA APAGAR:

1. Gire la válvula del tanque de gas LP a "CERRADO".
2. Gire la perilla de control a la posición de la "O". Nota: Un sonido de "puf" es normal cuando se quema lo último del gas LP.
3. Desconecte el tanque de gas LP como se muestra en el Paso 6.

SUNVILLA

Costco Wholesale UK Ltd /
Costco Online UK Ltd
Hartspring Lane
Watford, Herts
WD25 8JS
United Kingdom
01923 213113
www.costco.co.uk

MADE IN CHINA
FABRIQUÉ EN CHINE
HECHO EN CHINA