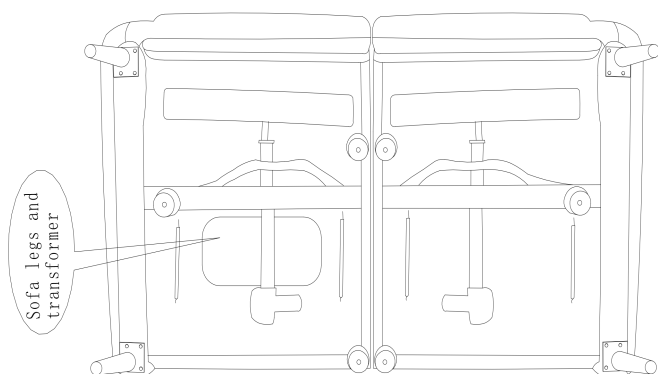


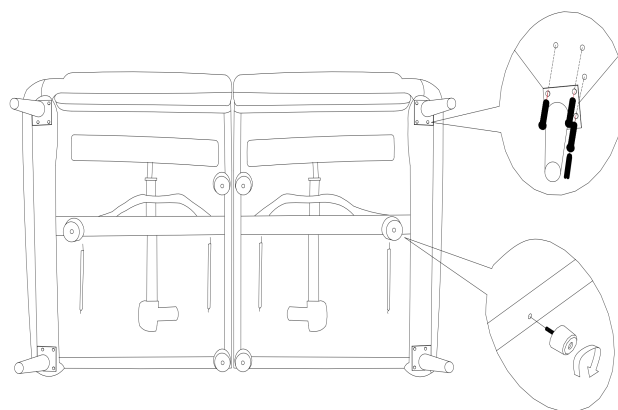
Ava PF-4214RPHT Assembly instruction

NO. 1



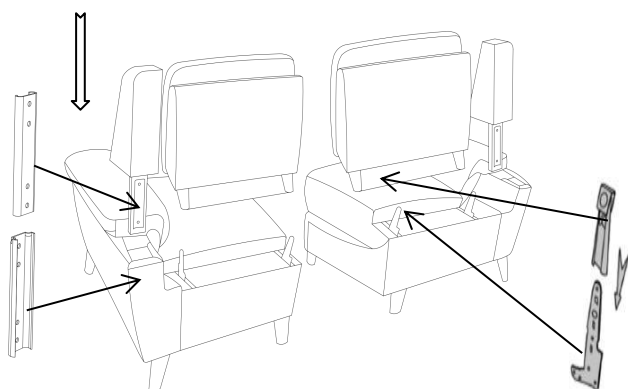
Turn the sofa up and take out the sofa legs and the transformer under the sofa

NO. 2



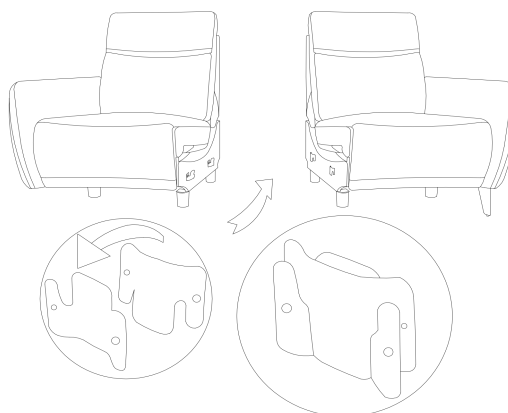
Align the plastic feet with the holes and tighten them clockwise; place the wooden feet on the four corners of the bottom of the sofa, and use the screws to align the holes and tighten

NO. 3



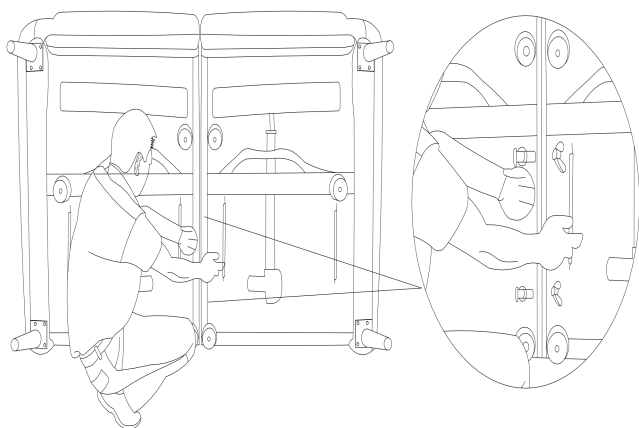
Align the backrest and the armrest on the back as shown in the picture, and align them downwards tightly

NO. 4



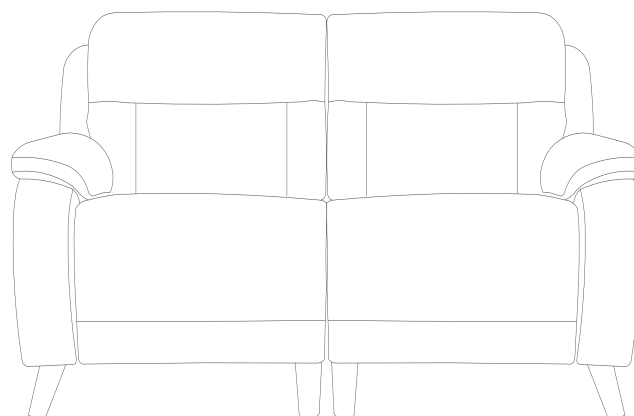
Place the two sofas side by side and connect the hanging pieces together as shown in the picture

NO. 5



Turn up the connected sofa, and use the connecting screw and wing nut to connect the sofa together

NO. 6



Finished Product Picture