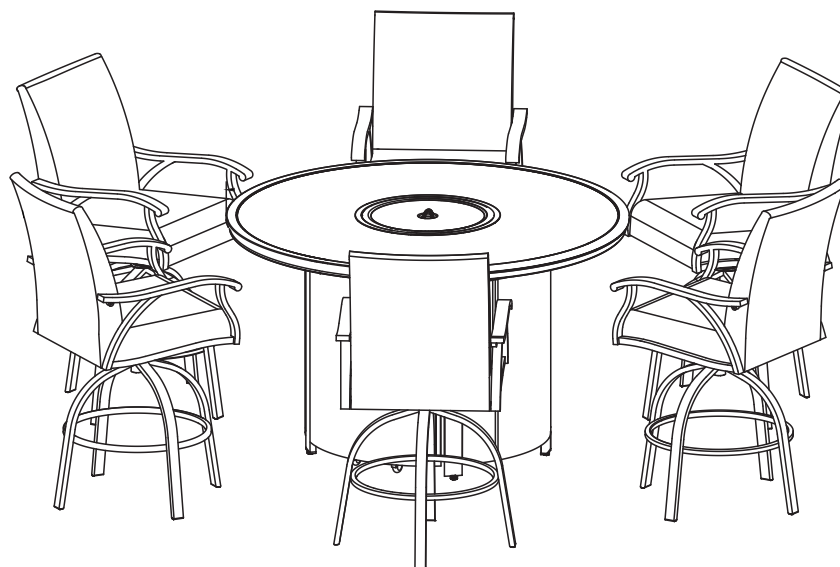


7 Piece Fire Dining Set

ITM. / ART. # 465989

IMPORTANT, RETAIN FOR FUTURE REFERENCE: READ CAREFULLY
THE ITEM IS INTENDED FOR OUTDOOR DOMESTIC USE ONLY, NOT FOR COMMERCIAL USE.



Questions, problems, missing parts?

Before returning to your retailer, call our customer service department at 1-888-690-9800 (8:00 a.m. – 5:00 p.m. PT / 11:00 a.m. – 8:00 p.m. ET, Monday – Friday. English and Spanish) or email us at service@sunvilla.com.

Preparation

Before beginning to assemble this product, make sure all parts are present. Compare parts with package contents list and hardware contents list. If any parts are missing or damaged, do not attempt to assemble this product. Stop and call our customer service center.


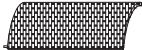
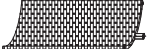







Estimated Assembly Time: 90 minutes (4 persons). Tools Required for Assembly: Wrench (included).


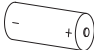
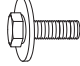
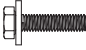


⚠ Safety Information

Please read and understand this entire manual before attempting to assemble or install the product. It should not be used as a toy or tool. Children should not engage in the operation, assembly, removal, or disassembly of the product.

Firepit Table Parts List

⚠ WARNING : To avoid damage to your new patio furniture, please use either the carton or another soft surface such as carpet as a working surface to prevent product damage during assembly.

PART NO.	DESCRIPTION	QTY
A	 Table Top	1
B	 Door	1
C	 Side Panel	3
D	 Table Leg 1	1
E	 Table Leg 2	1
F	 Limit Tube	1
G	 LP Tank Bracket	1
H	 Lid	1
I	 Glass Bead	1
O	 Furniture Cover	1

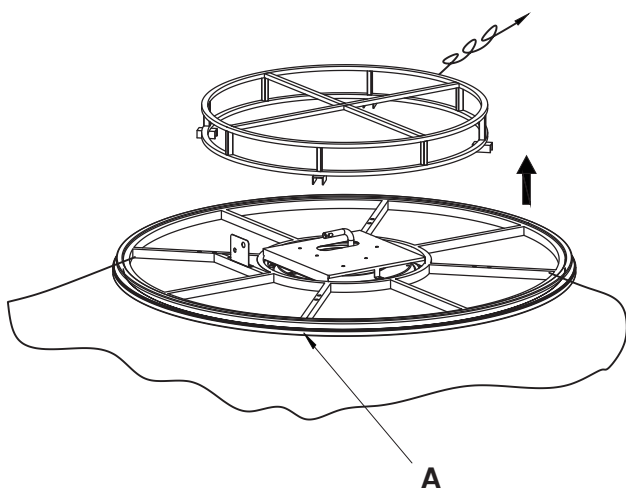
PART NO.	DESCRIPTION	QTY
AA	 Natural Gas Orifice	1
BB	 AAA Battery	1
CC	 Bolt M8X20	4
DD	 Bolt M6X25	19
KK	 Washer	2
EE	 Wrench	1

IMPORTANT: Read carefully and retain for future reference.

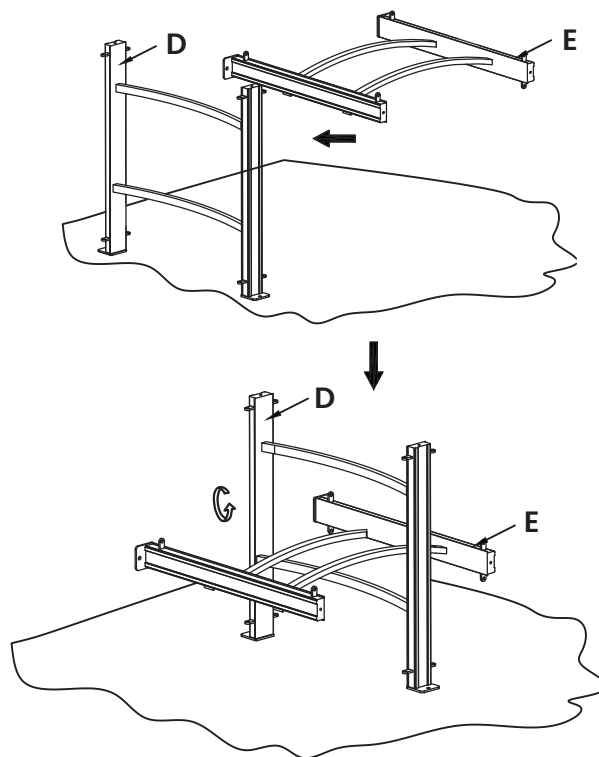
Firepit Table Assembly

Step 1

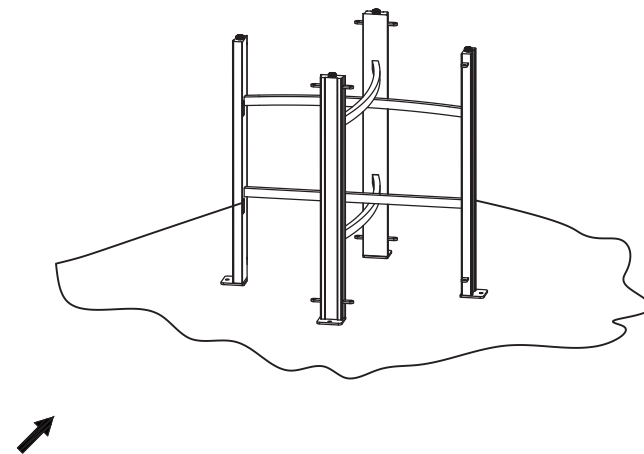
Note: Before assembling the table, please remove the round protective frame under the table top (A).



Step 2

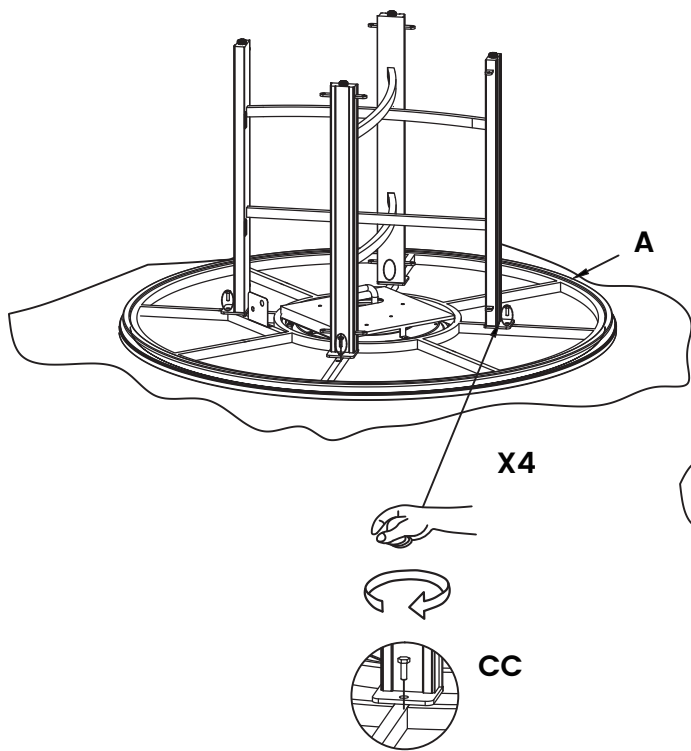


Step 3

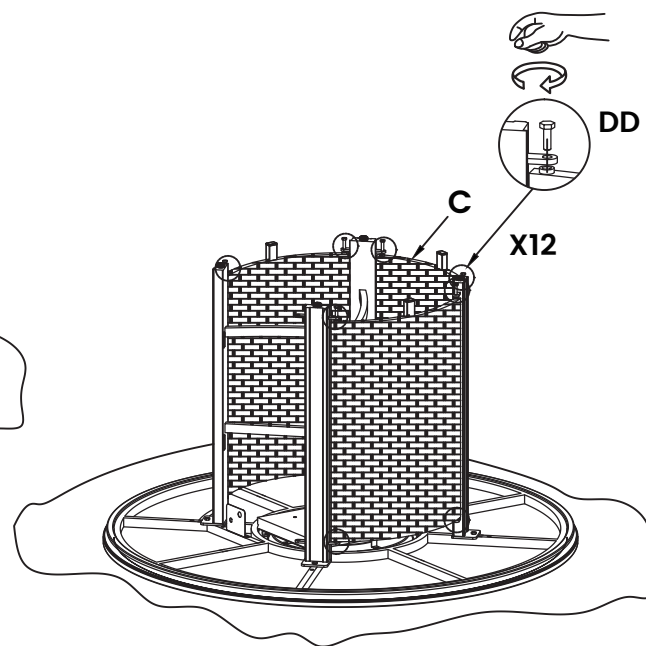


Firepit Table Assembly (Cont.)

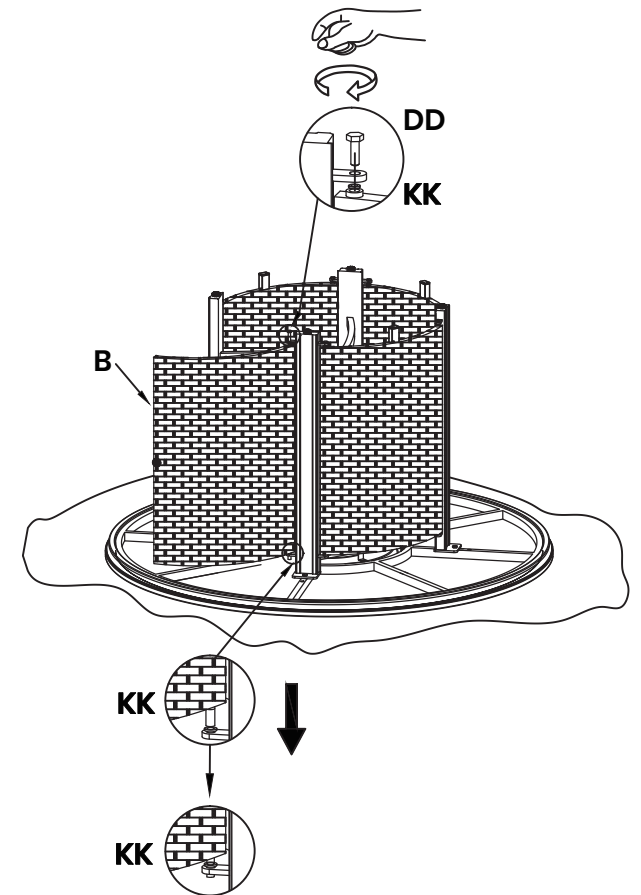
Step 4



Step 5

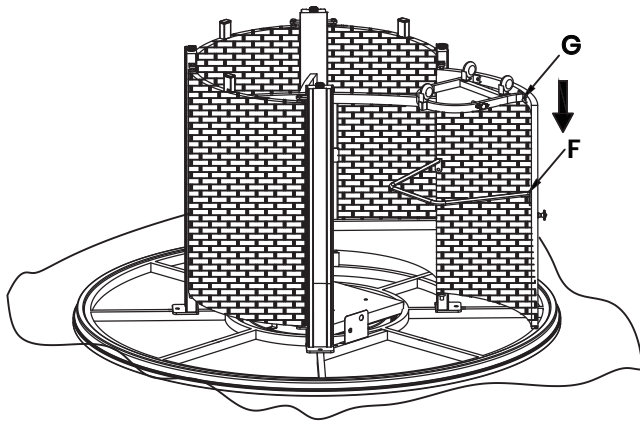


Step 6

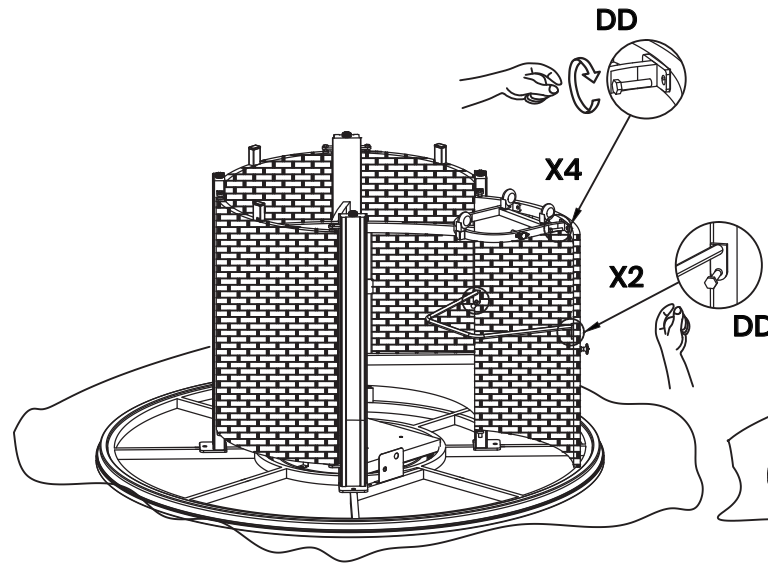


Firepit Table Assembly (Cont.)

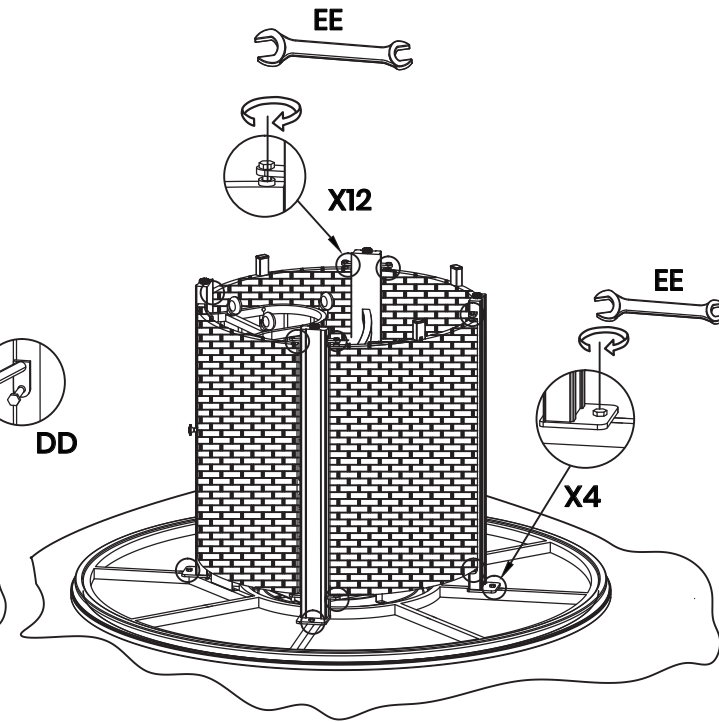
Step 7



Step 8

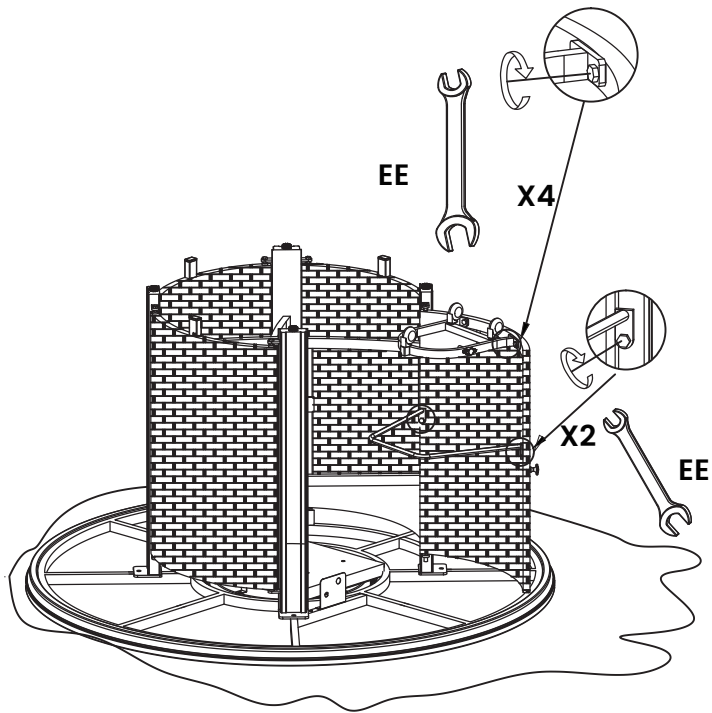


Step 9

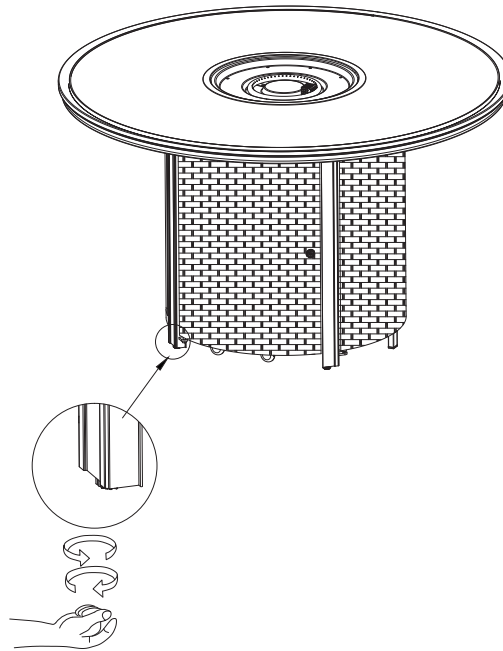


Firepit Table Assembly (Cont.)

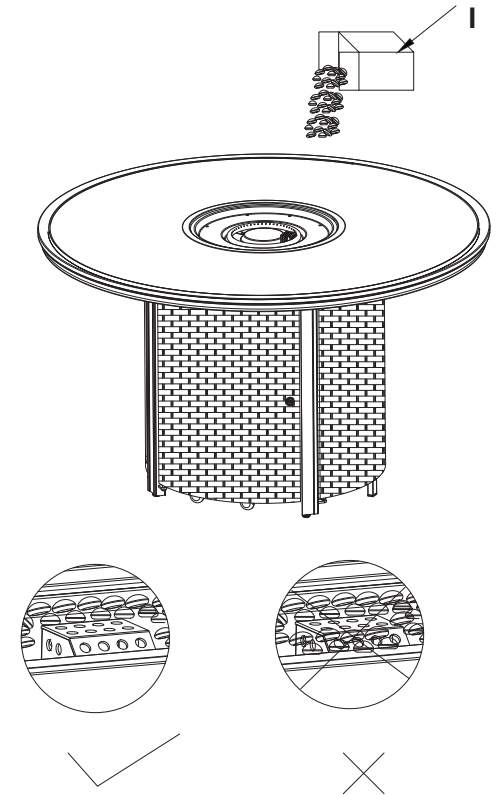
Step 10



Step 11

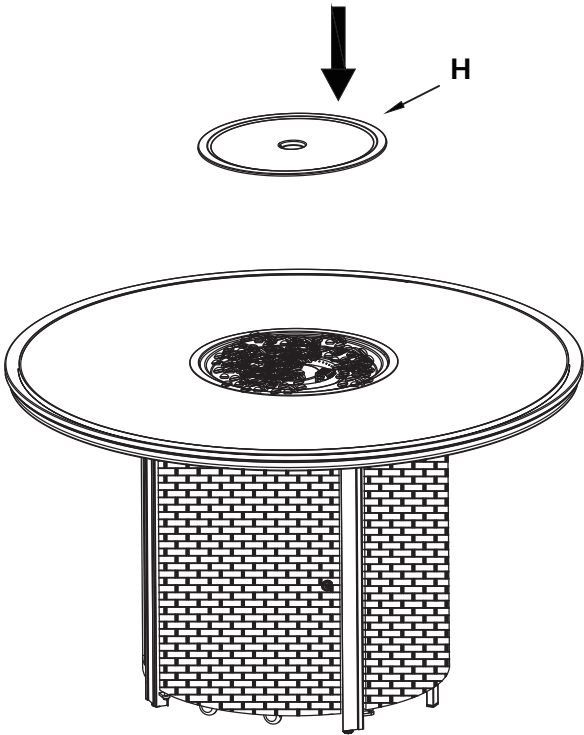


Step 12

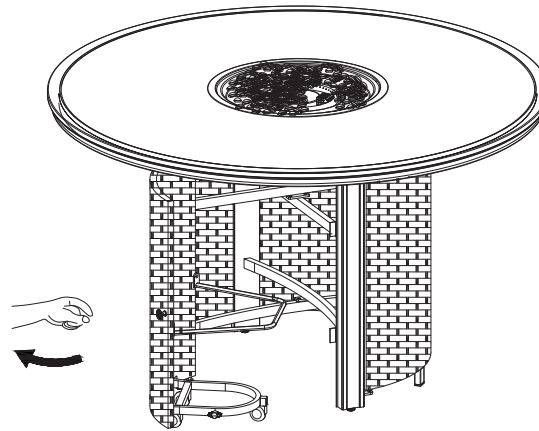


Firepit Table Assembly (Cont.)

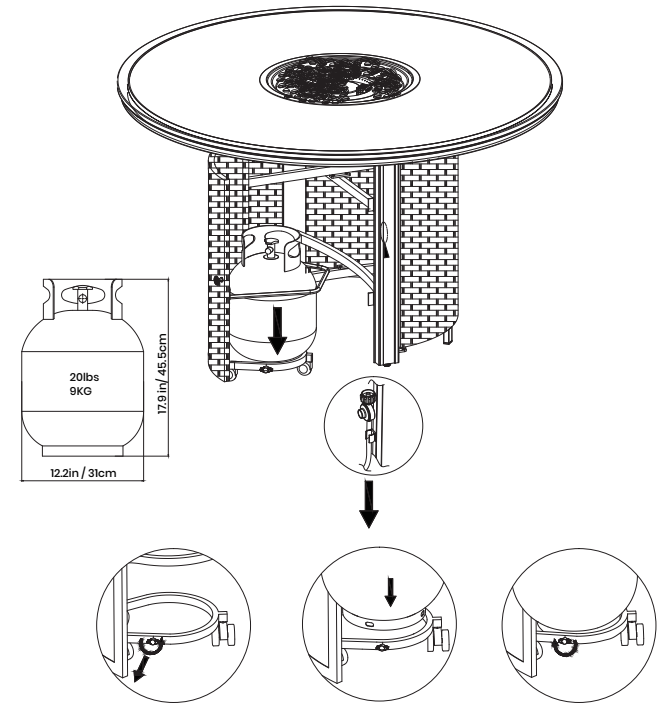
Step 13



Step 14

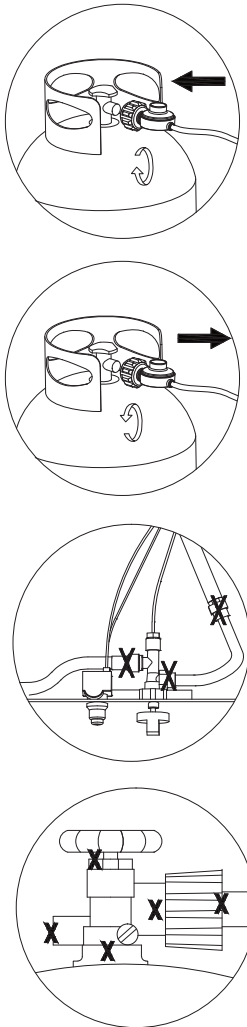


Step 15

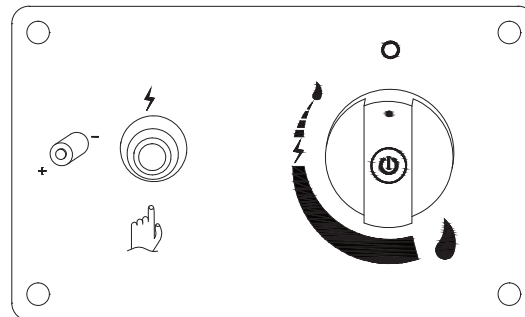


Firepit Table Assembly (Cont.)

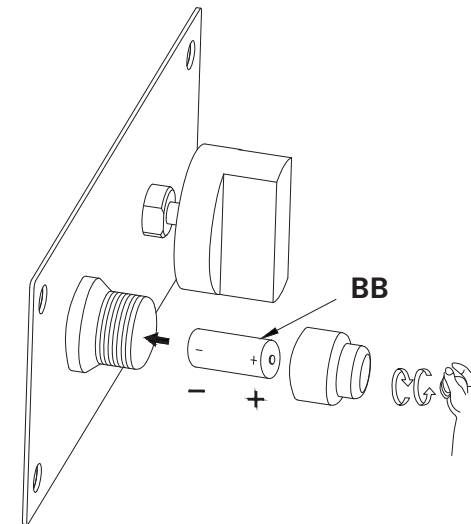
Step 16



Step 17



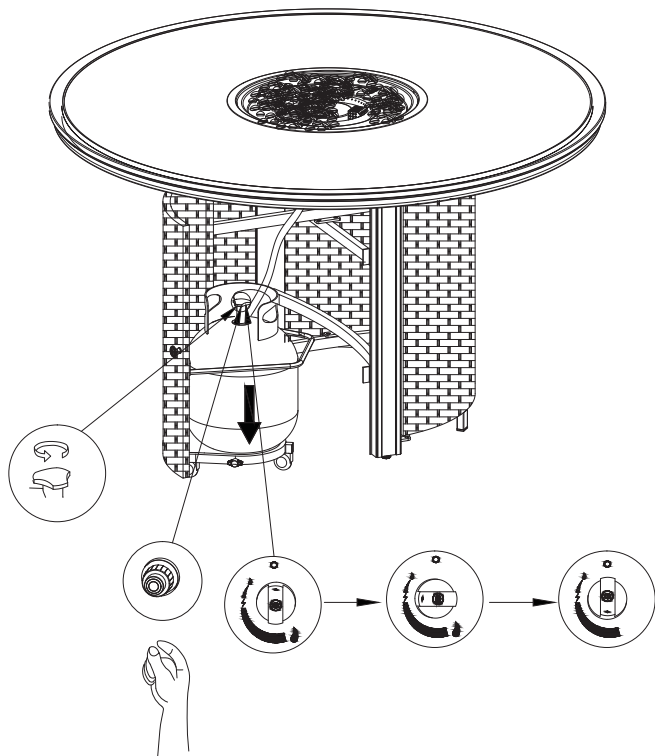
Step 18



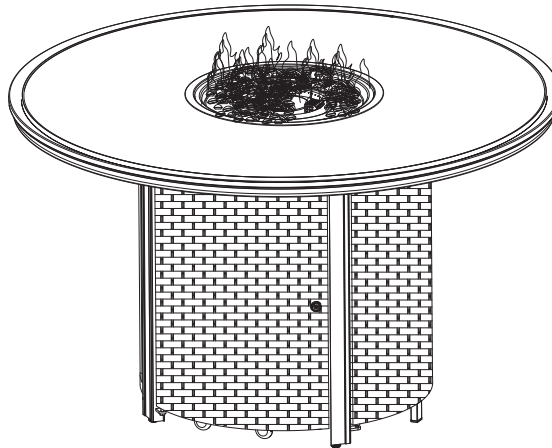
- Make sure the battery and battery contacts are clean and dry prior to installation.
- Ensure the batteries are installed correctly with regard to polarity (+ and -).
- Remove batteries from furniture that is not to be used for an extended period of time.

Firepit Table Assembly (Cont.)

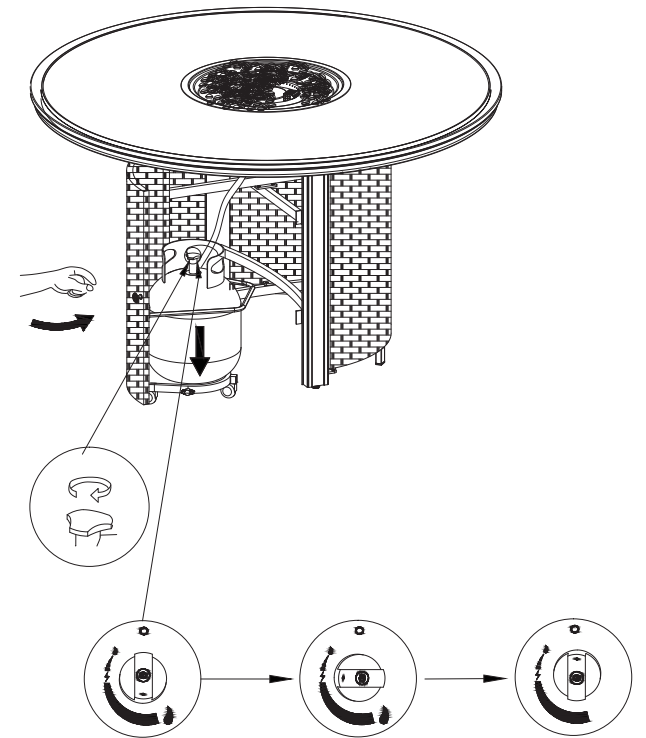
Step 19



Step 20

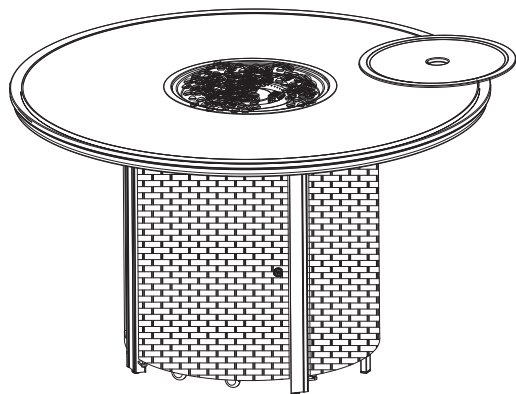


Step 21

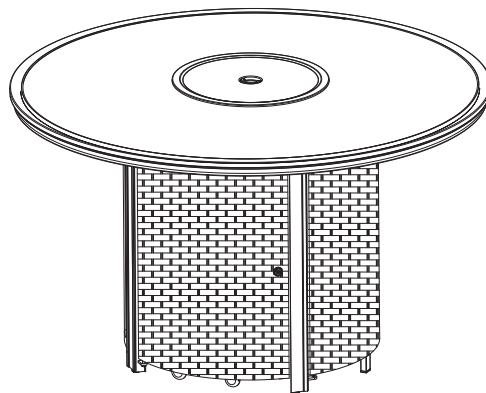


Firepit Table Assembly (Cont.)

Step 22

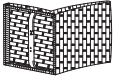





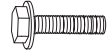
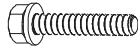


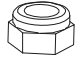

Step 23



Chair Parts List

⚠ WARNING: To avoid damage to your new patio furniture, please use either the carton or another soft surface such as carpet as a working surface to prevent product damage during assembly.

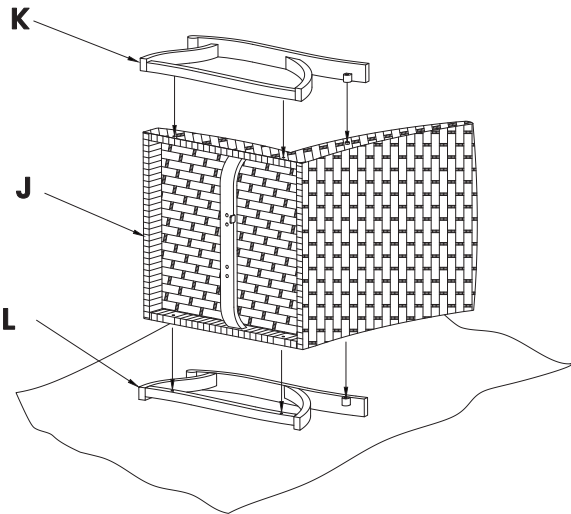
PART NO.		DESCRIPTION	QTY
J		Chair Frame	6
K		Left Arm	6
L		Right Arm	6
M		Swivel Base	6

PART NO.		DESCRIPTION	QTY
FF		Bolt M6x40	36
GG		Bolt M8x45	24
HH		Washer Plate	24
II		Spring Washer	24
JJ		N8 Nut	24
EE		Wrench	2

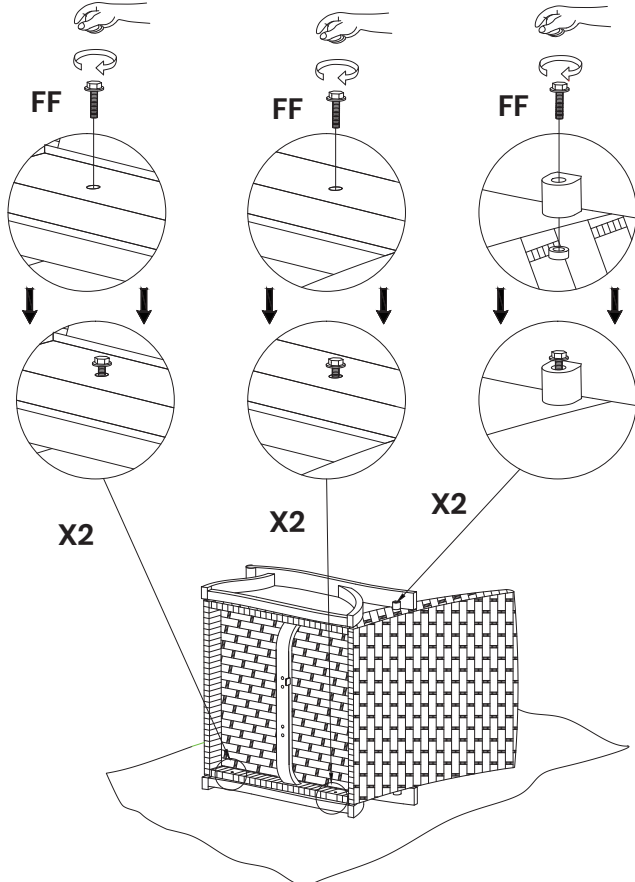
IMPORTANT: Read carefully and retain for future reference.

Chair Assembly

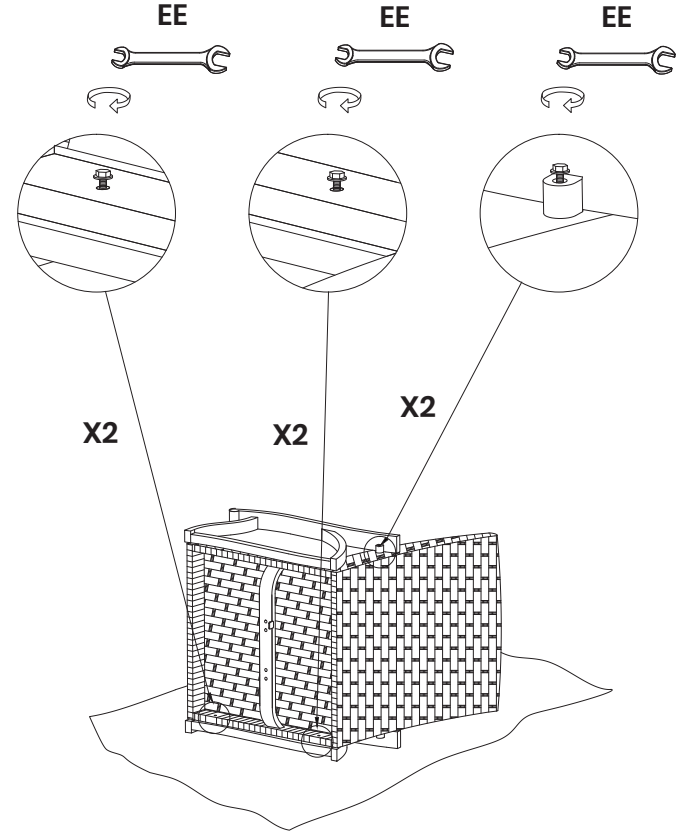
Step 1



Step 2

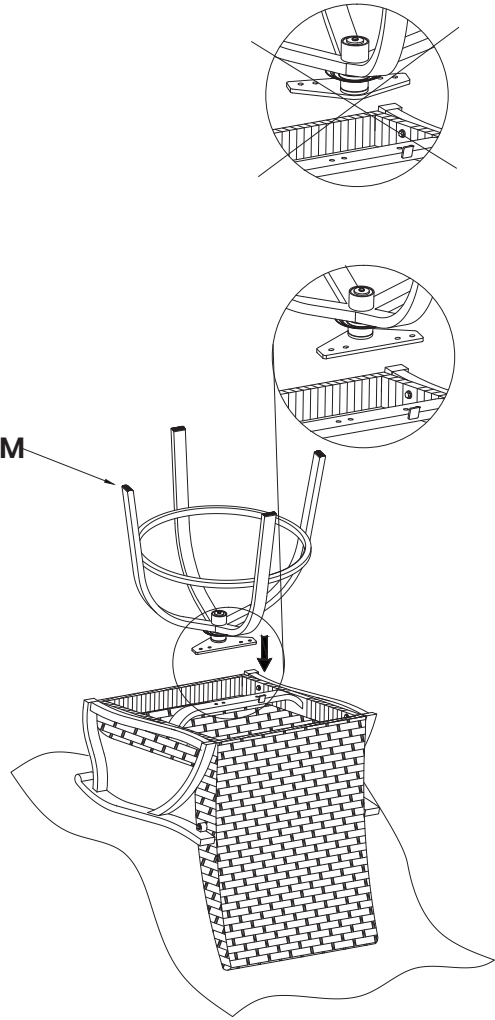


Step 3

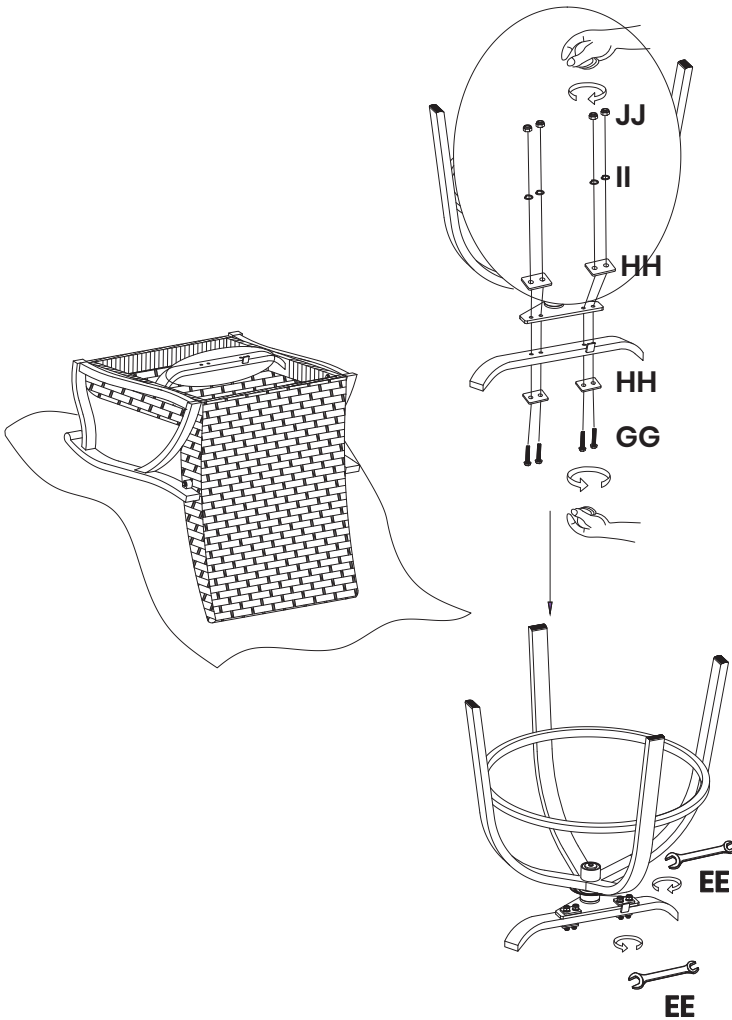


Chair Assembly (Cont.)

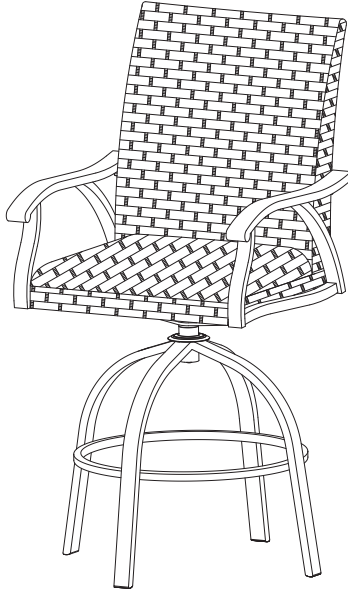
Step 4



Step 5



Step 6



Safety Information

Installer: Leave this manual with appliance. Consumer: Retain this manual for future reference.

This appliance was designed and made in accordance with EN14543, EN509 (where applicable) and EN437 plus subsequent amendments (gas standards). This appliance complies with the prescriptions of European Directive (Gas Appliance Directive GAR2016/426/EC).

⚠ WARNING!

**HOT! DO NOT TOUCH. SEVERE BURNS MAY RESULT
CLOTHING IGNITION MAY RESULT.**



- Glass and other surfaces are hot during operation and cool-down.
- Young children should be carefully supervised when they are in the area of the appliance.
- Children and adults should be alerted to the hazards of high surface temperatures and should stay away to avoid burns or clothing ignition.
- Clothing or other flammable materials should not be hung from the appliance or placed on or near the appliance.

⚠ CAUTION! Hot while in operation. Do not touch, keep burner area clean.

⚠ WARNING! For outdoor use only. Installation and service must be performed by a qualified installer, service agency, or the gas supplier.

⚠ DANGER! CARBON MONOXIDE HAZARD



This appliance can produce carbon monoxide, which has no odor. Using it in an enclosed space can kill you. Never use this appliance in an enclosed space such as a camper, car or home.

⚠ WARNING! If the information in this manual is not followed exactly, a fire or explosion may result causing property damage, personal injury, or loss of life.



1336-23
Pin Code 1336DM005

⚠ CAUTION!

Do NOT DISCARD THIS MANUAL

Important operating and maintenance instructions included. Read, understand, and follow these instructions for safe installation and operation.



⚠ DANGER!

If you smell gas:

- Shut off gas to the appliance.
 - Extinguish any open flame.
 - If odor continues, leave the area immediately.
 - After leaving the area, call your gas supplier or fire department.
- Failure to follow these instructions could result in fire or explosion, which could cause property damage, personal injury, or death.

⚠ WARNING!

Do not store or use gasoline, or other flammable vapors and liquids, in the vicinity of this or any other appliance. An LP-cylinder not connected for use shall not be stored in the vicinity of this or any other appliance.

Safety Information

Installer: Leave this manual with appliance.

Consumer: Retain this manual for future reference.

⚠ WARNING!

California Proposition 65: Combustion by-products produced when using this product contain chemicals known to the State of California to cause cancer, birth defects, and other reproductive harm.

California Proposition 65: Wash your hands after handling this product.

California Proposition 65: Handling the brass material on this product exposes you to lead, a chemical known to the State of California to cause cancer, birth defects, or other reproductive harm.

⚠ WARNING!

Improper installation, adjustment, alteration, service, or maintenance can cause injury or property damage. Read the installation and maintenance instructions thoroughly before installing or servicing this equipment.

This appliance is a Decorative Gas Appliance for **OUTDOOR USE ONLY** and **MUST NOT** be used for cooking.

A. Design and Installation Considerations

Place the fire pit on a flat and stable surface in an outdoor location adjacent to the gas supply line or LP gas supply cylinder. **DO NOT** locate the appliance where it will get excessively wet or submerged in water.

B. Tools and Supplies Required

Before beginning the installation, be sure that the following tools and supplies are at hand.

- Gloves
- Safety Glasses
- Wrench

C. Inspect the Appliance and Components

⚠ WARNING!

Inspect appliance and components for damage. Damaged parts may impair safe operation.

- **DO NOT** install damaged, incomplete, or substitute components. Report damaged parts to your dealer.
- Carefully remove all burner components from packaging.
- Read all instructions before beginning installation. Follow these instructions carefully during installation to ensure maximum safety and benefit.

⚠ WARNING!

ASPHYXIATION RISK

This gas appliance is for outdoor use in a well-ventilated space. This unit must not be installed inside an enclosed structure or unvented area.

⚠ WARNING!

Never leave fire pit unattended for any amount of time.
Never sit on the fire pit.
Never use fire pit as a storage unit.

⚠ WARNING!

Do **NOT** use this appliance if any part of it has been underwater. Have a qualified service technician inspect the appliance and replace any part of the control system and any gas control which has been underwater. Do not burn solid fuels in this gas appliance.

⚠ WARNING!

1. Glass media may have sharp edges. Wear safety glasses and gloves when handling.
2. Pour the glass media evenly in to the burner area (with the exception of the screen-if applicable). The glass should be 1/2 - 1" above the burner.
3. Keep away from the unit for the first 20 minutes after igniting your unit for the first time, as glass beads could pop out and cause injury. Should any rocks pop out, discard them.

Safety Information

Installer: Leave this manual with appliance.

Consumer: Retain this manual for future reference.

⚠ WARNING!

Never dispose battery directly into trash and do not throw into fire.

⚠ WARNING!

The warranty will be voided by the following actions:

- Installation and use of any damaged components.
- Modification of the burner assembly.
- Installation other than as instructed by the factory.

Any such action may cause a fire hazard.

Gas Hookup and Information

A. Fuel

Before making gas connections, ensure the appliance being installed is compatible with the available gas type.

B. Gas PRESSURE

Proper input pressures are required for optimum performance. Gas line sizing requirements need to be made following NFPA54.

⚠ WARNING!

FIRE RISK

EXPLOSION RISK

VERIFY INLET PRESSURES

- High pressure may cause overfire condition.
- Low pressures may cause explosion.
- Verify minimum pressures when other household gas appliances are operating.

Install regulator upstream of valve if line pressure is greater than psi.

Pressure requirements for appliance are shown in table below. Minimum pressures must be met when other household gas appliances are operating.

PRESSURE	NATURAL	GAS PROPANE
Minimum Inlet Pressure	3.5 in w.c.	25 psi
Maximum Inlet Pressure	10.5 in w.c.	250 psi

The appliance and its individual shutoff valve must be disconnected from the gas supply piping system during any pressures in excess of 1/2 psi / 3.5 kpa. The appliance must be isolated from the gas supply piping system by closing its individual manual shutoff valve during any pressure testing of the gas supply piping system at test pressures equal to or less than 1/2 psi / 3.5 kpa.

C. Gas Connection

Type of regulator : low pressure LPG regulator, regulator for specified standards: EN 16129: 2013.

NOTE: Have the gas supply installed in accordance with local building codes. Installation should be done by a qualified installer approved and/or licensed as required by the locality.

Flexible hose type:6.3MM,8MM and 10MM inside diameter hoses with BS EN 16436-1:2014+A3:2020 for rubber and plastics hose tubing and assemblies. Length of tubing or flexible hose usable for the gas supply to the appliance from the gas cylinder : 70CM.

⚠ WARNING!

FIRE RISK

EXPLOSION RISK

VERIFY INLET PRESSURES

- Gas build-up during line purge may ignite.
- Purge should be performed by qualified technician.
- Ensure adequate ventilation.
- Ensure there are no ignition sources such as sparks or open flames.

Safety Information

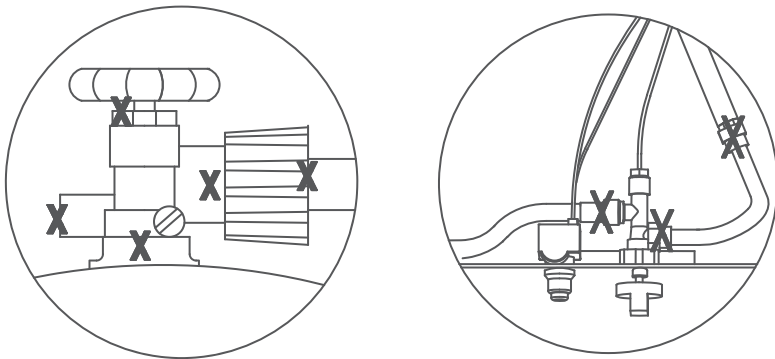
Installer: Leave this manual with appliance.
Consumer: Retain this manual for future reference.

⚠ WARNING!
CHECK FOR GAS LEAKS
FIRE RISK
EXPLOSION RISK
ASPHYXIATION RISK

- Check all fittings and connections. Please see below picture.
- Do not use open flame,
- After the gas line installation is complete, all connections must be tightened and checked for leaks with a commercially available leakcheck solution. Be sure to rinse off all leak check solution following testing.

Fittings and connections may have loosened during shipping and handling.

A small amount of air will be in the gas supply line. When first lighting appliance, it will take a short time until unit will not require such purging. Never allow the ON / OFF valve to remain in the open position without pressing and continuing to hold igniter button FIRST.



Safety Information

Installation and repair should be done by a qualified service person. The appliance should be inspected before use and at least annually by a qualified service person. More frequent cleaning may be required as necessary. It is imperative that the control compartment, burners and circulating air passageways of the appliance are kept clean.

These instructions are only valid if the following country code is on the appliance. If this code is not present on the appliance it is necessary to refer to the technical instructions which will provide the necessary information concerning the modification of the appliance to the condition of use for the country. Before installation, ensure that the local distribution conditions and the adjustment of the appliance are compatible. This appliance was designed and made in accordance with EN14543, EN509 (where applicable) and EN437 plus subsequent amendments (gas standards). This appliance complies with the prescriptions of European Directive (Gas Appliance Directive GAR2016/426/EC).

- *Do not use this fire pit for cooking.
 - *Do not burn any other materials than are supplied with and intended for use in this fire pit. Do not pour water into the fire pit.
 - *Do not use this fire pit if any part has been under water.
 - *Do not store a spare or disconnected liquid propane cylinder under or near this fire pit.
 - *After a period of storage, and/or non use, the propane fire pit should be checked for gas leaks and burner obstructions before use.
 - *Do not operate the propane fire pit if there is a gas leak present.
 - *Never use a flame to check for gas leaks.
 - *Combustible materials should never be within 61" (155 cm) of the top 48" (122 cm) from back or sides of your propane fire pit.
 - *Do not put any other fire pit cover or anything flammable on, or beneath the fire pit.
 - *The propane fire pit should never be used by children. Children must be supervised when they are anywhere near the appliance.
 - *Users should be alerted to the hazards of high surface temperatures and keep a safe distance to avoid burning or clothing ignition.
 - *Pay attention when operating the fire pit. It is hot in use and should never be left unattended. Do not transit fire pit while in operation.
 - *Should the fire go out while burning, turn the gas valve off. Follow the instructions and wait five minutes before attempting to relight.
 - *Never use charcoal or any other solid fuel in the fire pit. Never parch clothing or other flammable materials on or near the fire pit.
 - *Never lean over the open fire pit or place hands or fingers on the upper portion of an operational unit.
 - *Keep ventilation openings in cylinder enclosure (FIRE PIT BODY) free and clear of debris.
 - *Please take out the battery when not using the fire pit for an extended length of time.
 - *Do not enlarge valve orifices or burner ports when cleaning the valve or burner. Cylinder supply system must be arranged for vapor withdrawal.
 - *LP Tank used must include a collar to protect the cylinder valve. *Never fill the cylinder beyond 80% full.
 - *The conversion or attempted use of natural gas in a liquid propane unit or liquid propane gas in a natural gas unit is dangerous.
 - *Do not use this fire pit on vehicles or boats. Always operate the appliance on the flat ground outdoors.
 - *Keep any electrical supply cord and the fuel supply hose away from any heated surfaces.
 - *Do not use this fire pit unless all parts are in place.
 - *Keep the appliance area clear and free from combustible materials, gasoline, and other flammable vapors and liquids.
 - *Prior to each fire table operation, check the hose for evidence of excessive abrasion or wear by looking through the visual check hole. If the hose is damaged, cracked or cut, it must be replaced before using the gas fire table. The hose assembly can only be replaced with a hose assembly specified by the manufacturer. Please call 1-888-690-9800.
 - *Locate the hose out of pathways where people may trip over it or in areas where the hose may be subject to accidental damage.
- Before each use, remove the lava rock or glass beads. Examine the burner and its components. If dirty, clean with a soft brush and soapy water solution. Also examine the area around the burner. Any dirt or foreign material, such as spider webs or nests in this area should be removed. If it is evident that the burner is damaged, the fire table must not be used. The burner assembly can not be replaced. Please call 1-888-690-9800.

Safety Information

Installation and repair should be done by a qualified service person. The appliance should be inspected before use and at least annually by a qualified service person. More frequent cleaning may be required as necessary. It is imperative that the control compartment, burners and circulating air passageways of the appliance are kept clean .

For liquid propane (LP) - gas, only a 20 lb. supply cylinder is to be used and must be:

- 1) constructed and marked in accordance with the U.S. Department of Transportation (D.O.T.) Specifications for LP-Gas Cylinders, or the Standard for Cylinders, Spheres and Tubes for Transportation of Dangerous Goods and Commission, CAN/CSA-B339, as applicable;
- 2) provided with a listed overfilling prevention device;
- 3) provided with a cylinder connection device compatible with the connection to the appliance.

Safety Information



WARNING

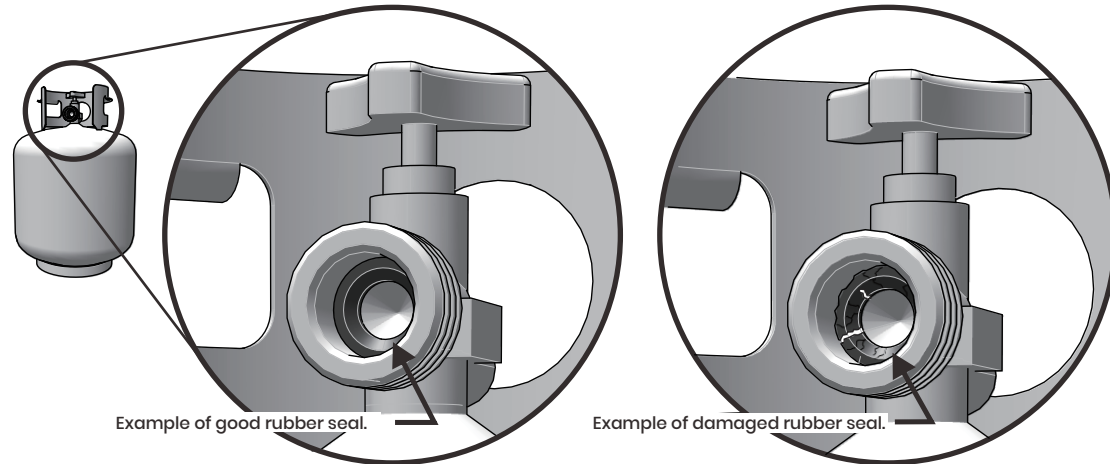
LP GAS CYLINDER RUBBER SEAL INSPECTION.

Inspect the LP gas cylinder valve rubber seal for cracks, wear or deterioration prior to each use. A damaged rubber seal can cause a gas leak, possibly resulting in an explosion, fire, or severe bodily harm.

It is recommended that you inspect the rubber seal each time the LP gas cylinder is connected to the appliance, each time it has been refilled, or if it has not been used for more than 60 days.

DO NOT use a LP gas cylinder with a damaged rubber seal. The rubber seal CANNOT be repaired or replaced. Purchase a new cylinder or exchange the cylinder. You should inspect the seal before accepting a new or exchanged cylinder. DO NOT insert tools or foreign objects into the cylinder valve opening as this could damage the rubber seal.

The leak check procedure outlined in the product guide/assembly manual Must be followed each time the LP gas cylinder is connected to the appliance. Consult the product guide/assembly manual for the proper procedure and locations for leak checking.



Example of good rubber seal.

Example of damaged rubber seal.

Troubleshooting

SYMPTOM		POSSIBLE CAUSES	CORRECTIVE ACTIONS
1.	Fire won't light.	A. No LP in tank, or NG main not turned on.	Check the LP (propane) tank. You may be out of gas. Or check Natural Gas valve at main.
		B. Plugged burner orifice.	Check the burner orifice for stoppage. Remove stoppage.
		C. Battery needs replacing.	Make sure there is a clicking sound when you press the igniter button. If no clicking sound, make sure you installed the battery correctly, with the negative side going into the battery component first. Still not working, replace with a brand new AAA 1.5 V battery. If unit still does not operate it may require cleaning or replacement, call our USA Customer Service Hotline at 1-888-690-9800 for assistance.
2.	Low flames or won't stay lit.	A. Manual shutoff valve (on/off) open or not installed between LP tank and appliance.	Close LP tank and manual shutoff valves. Open LP tank valve first, then the manual shutoff valve.
3.	Blue flames.	A. This is a result of normal operation and flames will begin to yellow as unit is allowed to burn for 16-20 minutes.	Do nothing.
		B. Improper air / fuel mixture related to air shutter position.	Close air shutoff. (for LP, leave 1/4" open, natural gas 1/16" open)

SYMPTOM		POSSIBLE CAUSES	CORRECTIVE ACTIONS
4.	Metallic noise.	A. Noise is caused by metal expanding and contracting as it heats up and cools down, similar to the sound produced by a furnace or heating duct. This noise does not affect the operation or longevity of the appliance.	Do nothing.
5.	Decorative beads cracking or splitting.	A. Heat and / or abrupt temperature changes.	This is a property of glass and may happen occasionally. Do nothing. This is completely normal.

Maintenance and Service Tasks

INSPECT	INSPECT
Burner Assembly	1. Remove decorative glass and examine burner. Vacuum and wipe clean as needed. Use caution when cleaning these areas.
	2. Inspect for warping and corrosion. Repair as necessary.
	3. Check the hose connecting to the LP gas cylinder to ensure it is not damaged. Replace as necessary.
	4. Verify air shutter area is clean.
Burner Ignition and Operation	1. Verify all gas connections are tight and leak-free.
	2. Clean burner top, inspect for plugged ports, corrosion, or deterioration. Replace burner if necessary.
	3. Inspect for flame problems.
	4. Verify air shutter is clear of dust and debris and is in correct position for the gas type being used.
	5. Inspect orifice for soot, dirt, or corrosion.
	6. Verify manifold and inlet pressures. Adjust regulator as required.
Gas Hose with regulator	1. The gas hose with regulator supplied with appliance must be used for LP installations. The replacement must be those specified by the appliance manufacturer.

Before Storing

1. Turn LP gas tank valve to “CLOSED”.
2. Turn control knob to the “OFF” position. NOTE: A “poof” sound is normal as the last of the gas is burned.
3. Disconnect LP gas tank as shown on Step 16.
4. Clean all surfaces.

⚠ CAUTION!

- NEVER place cover on hot outdoor fire pit.
5. Lightly coat the burner with cooking oil to prevent excess rusting.
 6. If storing the outdoor fire pit indoors, cover the outdoor fire pit and store in a cool, dry location away from children and pets.
 7. If storing the outdoor fire pit outdoors, cover the outdoor fire pit with the included cover for protection from the weather.

Before returning to your retailer, call our customer service department at 1-888-690-9800 (8:00 a.m. – 5:00 p.m. PT / 11:00 a.m. – 8:00 p.m. ET, Monday – Friday. English and Spanish) or email us at service@sunvilla.com

Framing and Clearance

NOTE:

- Illustrations reflect typical installations and are **FOR DESIGN PURPOSES ONLY**.
- Illustrations / diagrams are not drawn to scale.
- Actual installation may vary due to individual design preference.

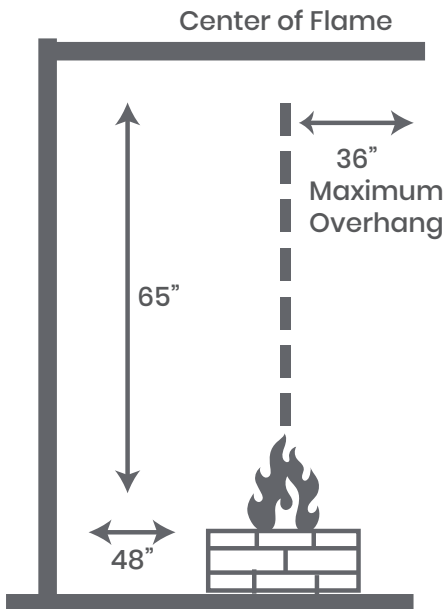
⚠ WARNING!

FIRE RISK

Provide adequate clearance

- Around air openings.
- For service access.

Locate appliance away from traffic areas.



Clearance to Combustibles.

Gas Hookup and Information

1. Make 2-3 oz of leak detection solution by mixing one part liquid dishwashing soap with three parts water.
2. Make sure control knobs are in the "O" position (Figure 1).
3. Connect LP gas tank;
4. Turn LP gas tank valve to "OPEN";
5. Spoon several drops of solution or use a squirt bottle, at all "X" locations;
 - A. If any bubbles appear, turn LP gas tank valve to "CLOSED", reconnect and re-test;
 - B. If you continue to see bubbles after several attempts turn LP gas tank valve to "CLOSED" and disconnect LP gas tank, as shown on Step 16. Contact 888-690-9800 for assistance.
 - C. If no bubbles appear after one minute, turn LP gas tank valve to "CLOSED", wipe away solution.

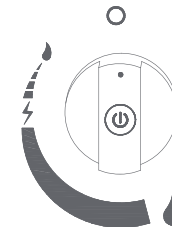
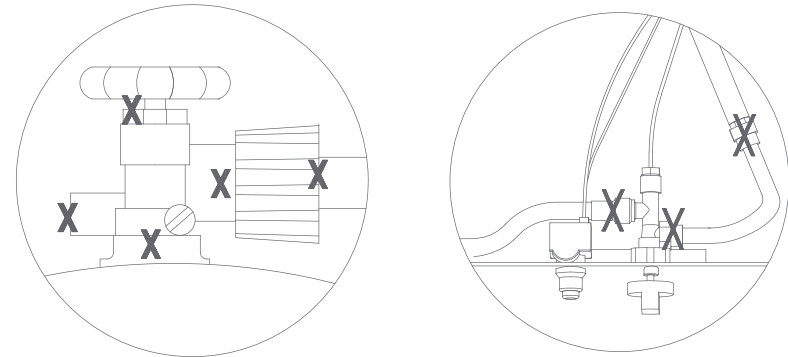


Figure 1

For Liquid Propane Gas Units

Do not attempt to disconnect the gas regulator or any gas fitting while your fire pit is in operation.

*A dented or rusty liquid propane cylinder may be hazardous and should be checked by your gas supplier prior to use.

*Do not use a liquid propane cylinder with a damaged valve and any other worn out parts.

*Transit and store the empty gas cylinders carefully and properly

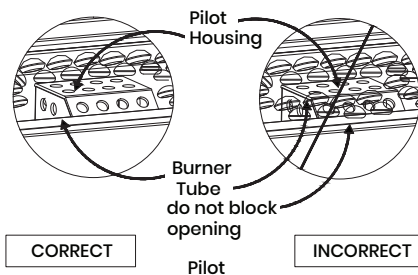
*If you see, smell or hear the hiss of escaping gas from the liquid propane cylinder;

1. Turn off the gas supply and get away from the gas cylinder and the fire pit at once.
2. Do not attempt to correct the problem yourself.
3. Get to your gas supplier and/or the fire department for help.

⚠ WARNING! This screen must be clear and free of obstructions at all times to ensure proper operation.

SCREEN

*Do not place glass beads on the screen.
Keep screen clear.*



Operation

⚠ CAUTION! Children and adults should be alerted to the hazards of high surface temperatures and should stay away to avoid burns or clothing ignition. Young children should be carefully supervised when they are in the area of the appliance.

⚠ WARNING! Do not use this appliance if any part has been under water. Immediately call a qualified service technician to inspect the appliance and to replace any part of the control system and any gas control which has been under water.

SAFETY WARNINGS

1. Never leave the fire pit unattended during operation.
2. **Clothing or other flammable materials should not be hung from the appliance or placed on or near the appliance.**
3. **Any guard, barrier, or other protective device removed for servicing the appliance shall be replaced prior to operating the appliance.**
4. Installation and repair should be done by a qualified service person. The appliance should be inspected before use and at least annually by a qualified service person. More frequent cleaning may be required as necessary. It is imperative the control compartment, burners and circulating air passageways of the appliance be kept clean.
5. Inspect the fuel supply connection before each use of the appliance.
6. Temporary storage of this appliance indoors is permissible only if it has been disconnected from its fuel supply (Natural or LP gas line).

⚠ WARNING!

1. This appliance is hot when operated and can cause severe burns if contacted.
2. Do not burn any solid fuels in this appliance.

Lighting

1. Make sure all labels, packaging and protective films have been removed from the outdoor fire pit.
2. Remove cover and lid from outdoor fire pit before lighting.
3. Check for obstructions of airflow to the burner. Spiders, insects and webs can clog the burner/venturi tube. A clogged burner tube can lead to a fire.
4. Control knob must be in the "O" position (Figure 1).
5. Clear small area of glass rocks away from the igniter cover.
6. Connect LP gas tank per "Installing LP Gas Tank" section.
7. Turn LP gas tank valve to "OPEN".
8. Push and hold the electronic igniter to create sparks within the electrode, continue to hold.
9. Push in the control knob and turn to the "⚡" / "ON" position, Keep holding down the control knob to allow gas to flow for 20 seconds.
10. After 20 seconds, release and turn control knob counterclockwise to adjust flame to desired height.
11. If ignition does not occur in 20 seconds, turn burner control knob to "O" and wait 5 minutes, fan with a newspaper or magazine, and repeat lighting procedure.
12. If igniter does not light burner: (Figure 2)
 - A. Wearing heat-resistant gloves, position a long lit match or long lit butane lighter near the pilot housing.
 - B. Push and turn control knob to "ON".
 - C. Remove match/lighter once burner is lit.

⚠ CAUTION!

After lighting, using a fire pit tool and heat-resistant gloves, carefully move the glass beads back to their proper position, being careful to avoid the flame.

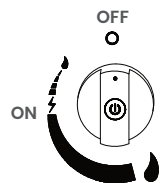


Figure 1

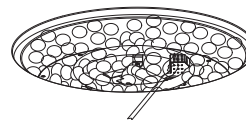
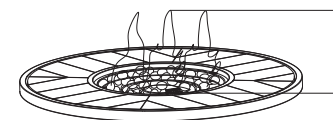


Figure 2



TURNING OFF

1. Turn LP gas tank valve to "CLOSED".
2. Turn control knob to the "O" position. Note: A "poof" sound is normal as the last of the LP gas is burned.
3. Disconnect LP gas tank as shown on Step 16.

Care and Maintenance

Chair Frame

Hand wash with mild soap thoroughly with water. Dry with a soft cloth.
Do not use abrasive cleaners or scrub too rough as it may mar the surface.

Chair Fabric

Outdura® fabric should be cleaned regularly. Brush off any loose dirt and wash with a mild soap and lukewarm water solution. For stubborn stains and mildew, wash with a solution of 236 ml (1 cup) of bleach and 59 ml (1/4 cup) of mild soap per 3.8 l (1 gallon) of water. Rinse thoroughly to remove soap. Allow fabric to air dry.
NOTE: Do not machine wash.

Extended exposure to the elements can contribute to cushions becoming water-saturated. To combat this, allow your cushions to air-dry properly with these quick tips:

1. Unzip the cushion cover to ventilate and facilitate the drying process.
*Do not remove the cushion covers completely.
2. Place cushions upright, with the zipper facing down to drain excess moisture faster.

For best results, store cushions indoor during inclement weather and rainy seasons.

Cushion

To ensure longevity of your patio set each seat cushion is made with high density foam. With initial use the seat cushions may feel firm, but with continued use the cushions will continue to soften and provide the ultimate comfort for seasons to come.

Table Frame

Hand wash with mild soap thoroughly with water. Dry with a soft cloth.
Do not use abrasive cleaners or scrub too rough as it may mar the surface.

Care and Maintenance (Cont.)

Periodic Maintenance For Your Porcelain Stone Tile Table Top

Your stone tabletop is coated at the factory with a protective stone sealant. The sealer provides resistance from stains and moisture and helps maintain the stone's natural color. For optimum protection, the stone top should be resealed every 6 to 12 months after it has been thoroughly cleaned of all dirt and debris. Stone sealer is available at most club and hardware stores. Use of place mats, table runners, and beverage coasters will help in the prevention of scratches, stains, and will catch potential spills. Use the outdoor furniture cover provided to protect your investment when not in use.

Cleaning Your Porcelain Stone Tile Table Top

Maintain the new look of your stone top by removing dust and dirt with plain water periodically. Occasionally rinse off your table top to prevent debris from settling in and to prevent stains or discolorations. You can also use a mild detergent mixed with water and scrub the table top with a soft, clean cloth or sponge. Immediately dry your table top after cleaning to prevent moisture penetration and water spots. Spills should be cleaned up immediately as they may begin to penetrate the sealant. For more thorough cleaning of the table top use a water-based biodegradable cleaner. Avoid ammonia-based cleaners, which can break down the sealant and possibly damage or discolor the stone. You should never use scouring creams, abrasive cleansers, vinegar cleaners, acid-based products or any alkaline-based products such as ammonia, baking soda or borax.

Cold Climates

We recommend that your stone top be stored in a dry area in cold climates or be covered with the furniture cover provided. Make a tent with the cover so that it is not touching any part of the tabletop, this will promote airflow and allow moisture to escape. It is possible that prolonged contact with snow can cause moisture to penetrate the sealant on the tabletop. Stone is porous, and if moisture were to enter the stone and freeze, the stone may crack. Always seal the tabletop before each winter for added protection.

Hot Climates

The porous nature of stone leaves it susceptible to heat retention. Care and caution should be used when handling a stone top that has been subjected to lengthy sun exposure. It is recommended that you use this product under a protective shade canopy.

SUNVILLA

Costco Wholesale UK Ltd /
Costco Online UK Ltd
Hartspring Lane
Watford, Herts
WD25 8JS
United Kingdom
01923 213113
www.costco.co.uk

MADE IN CHINA
FABRIQUÉ EN CHINE
HECHO EN CHINA