



Orion Series Cassette Awning  
(Orion and Orion Mini)



GOSSOUTDOOR

shading systems

Awning  
Electrical  
Requirement  
Guidelines

**COSTCO**  
CO.UK

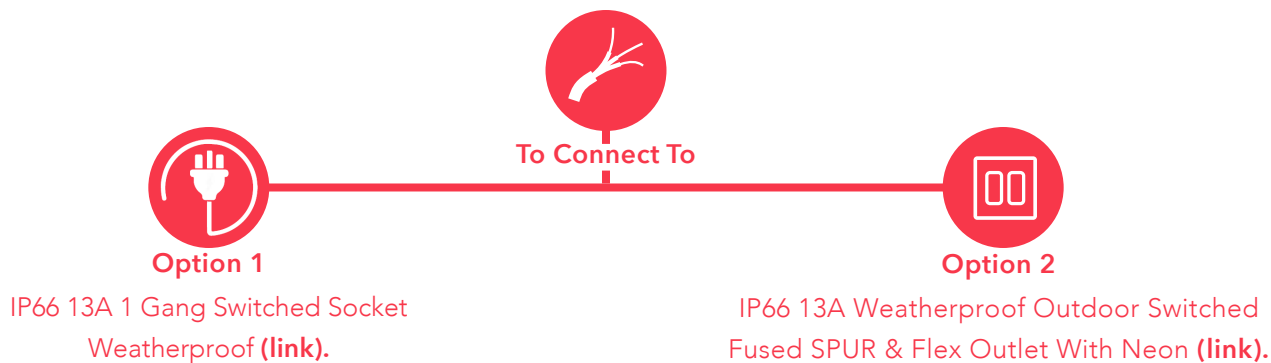
Online Orders

# Electrical Requirement Guidelines for Awnings

To connect our **Awning** to the electric cable (as seen in the link below) we require:

## FLEXIBLE CABLE 3-CORE 2.5MM<sup>2</sup> WHITE | [Link](#)

*(Please note this is a guidance link only. The cable colour will be determined by the customer. The cable measurement will be advised by your electrician, therefore the price will be based on measurement.)*

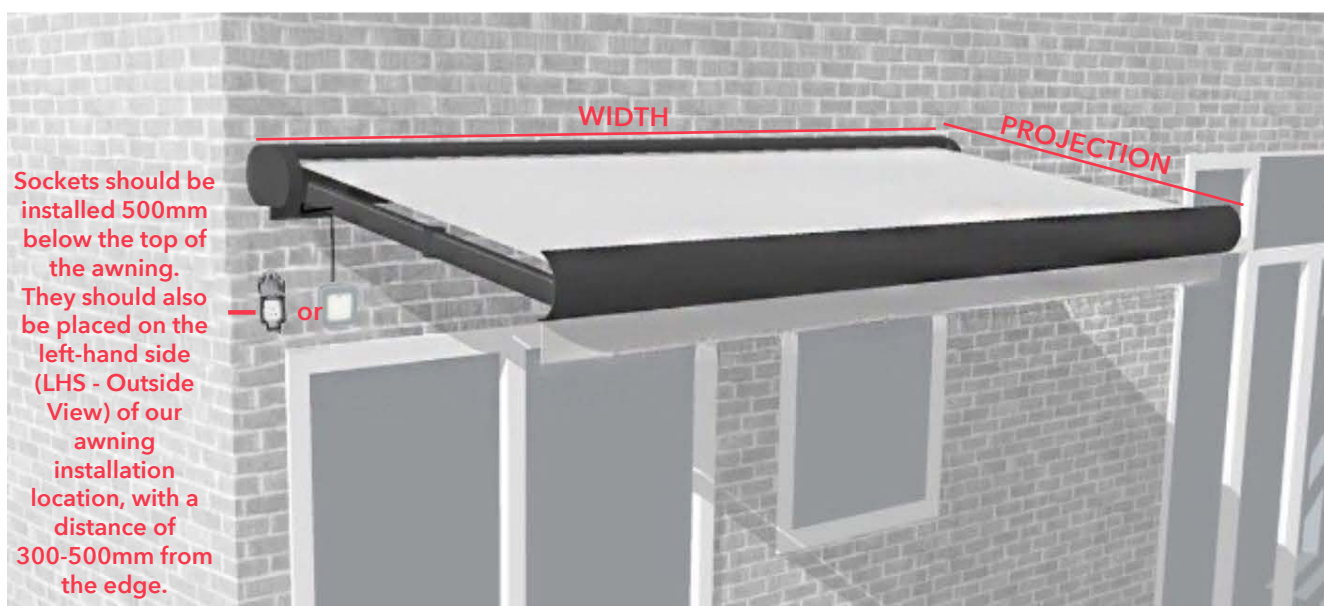


*(This is what you require from the electrician, this can be done after the installation. Please note this is a guidance link only. The waterproof switch will be determined by the customer.)*

The number of required outlets can be easily calculated:

1

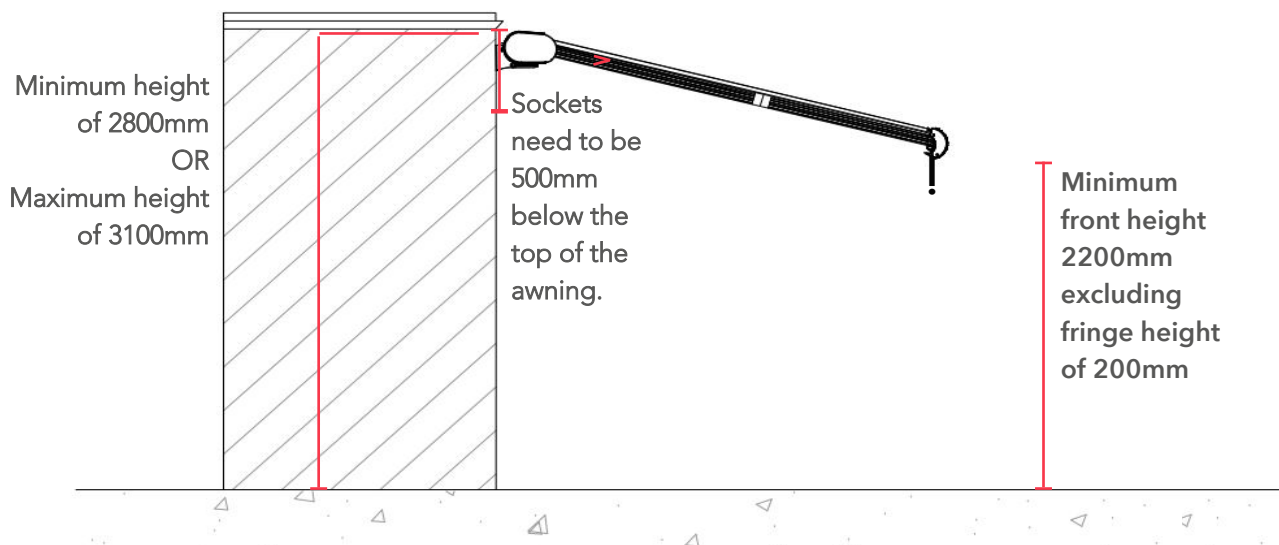
## SCENARIO 1: AWNING ON ITS OWN



*This is an illustration of a Oreon Awning. All images used are for illustrative purposes only. These and the dimensions given are illustrative for this model, individual projects may differ from those shown. Please check with your operator in respect of individual projects. Please note that this is our advice. The final decision should be made when the awning is in place.*

If you require any more measurements, please refer to our measuring guide on our Costco Online Awning Ordering guide.

The installation height, for the back wall, will be determined on site due to fixing points (ensuring the bolts are hitting the brick rather than the groutline). This could be between a minimum of 2800mm (11.31° minimum) and a maximum of 3100mm (16.70° minimum). Both heights will give a minimum front height of 2200mm, excluding a fringe height of 200mm. Fringe comes optional.



All images used are for illustrative purposes only. These and the dimensions given are illustrative for this model, individual projects may differ from those shown. Please check with your operator in respect of individual projects.

(x1) 13amp outlet is required for the motor of the awning which can either be:  
(x1) IP66 13A 1 Gang Weatherproof Switched Socket ([link](#)).

OR

(x1) IP66 13A Weatherproof Outdoor Switched Fused SPUR & Flex Outlet With Neon ([link](#))

2

## SCENARIO 2: AWNING & 1 OPTIONAL ITEM (Heater)

If you want an Infrared Heater as an Optional Item, you must refer to our Electrical Requirement Guidelines For Infrared Heaters document for all relevant information, ([link](#)). If you have any further queries, please do not hesitate to contact your operator.

### IMPORTANT

- Please make sure the power supply isn't coming off the **lighting circuit**. It should ideally be a separate supply of the consumer unit or at least off the **main power ring**.
- We recommend a separate dedicated supply for the outdoor installations. **\*Seek advice from an approved electrician.**
- The power outlets **must** be RCD protected as they are placed outdoors.
- Once our team installs your awning, it is important to have a **qualified electrician** inspect the electrical connections and provide a valid installation **certificate** for the outlets that will be used. Please ensure that the certificate is emailed back to us. This will help maintain your warranty.
- The voltage supply must be within standards of **207-253V**. If your supply is outside of this you would need to install a voltage stabiliser. ground (for disabled access).
- The motor will be located as standard on the Left Hand Side (LHS) from outside view, please talk to your operator if you would like this to be altered. A **surcharge** may arise.
- We are **not certified electricians** so therefore we are unable to provide final connections. We will leave your system with hanging tail ends approximately 3m long from the LHS (outside view). If you require a longer cable, we can provide this and a cable connection for an additional charge.

# Project Specific Electrical Requirements

## DISCLAIMER

In the case of failure to comply with above outlined standards, our installation team reserves the right to refuse installation or delay installation until standards have been met to ensure the safety of our installation team as well as your site and the product. If the product motor fails due to failure to meet standards this will void the warranty. GOSS Outdoor does not accept any responsibility in providing electrical connections, therefore any fault in the electrics will be the responsibility of the customer. All images provided are indicative only and must be checked by an approved electrician.

<b>Customer Reference Number</b>	#
<b>Customer Name &amp; Surname</b>	
<b>Installation Address</b>	

<b>Equipment</b>	<b>Description</b>	<b>Voltage (V) Rated Power (W)</b>	<b>Outlet Supply</b>	<b>Tick If Applicable</b>	<b>Quantity</b>
Awning - up to W5m	SOMFY SUNEА 50 IO 35/17 OR CHERUBINI WAVE RX 40/17	230V / 240W	13A		

<b>Total number of equipments for this project</b>	
<b>Total number of outlets required</b>	
<b>Total load (current in W)</b>	

(To be completed by operator) / The table above is for guidance only. Refer to your approved electrician.

I confirm that I have read all above points and will prepare the electrical connections for the installation team to meet the outlined requirements. I understand that if these requirements are not met, the team withhold the rights to return for installation on another date and I will be responsible to reimburse any extra costs caused due to the team being unable to carry out the installation on the original date, to be paid before the second attempt for installation.

<b>Full Name</b>	
<b>Signed</b>	
<b>Date</b>	

(To be completed by customer)



**GOSSOUTDOOR**

---

shading systems

**A.** Unit C, Canalside North,  
John Gilbert Way, Trafford Park  
Manchester M17 1UP, United Kingdom

**T.** +44 (0) 800 689 4549  
**E.** [contact@gossoutdoor.co.uk](mailto:contact@gossoutdoor.co.uk)  
**W.** [gossoutdoor.co.uk](http://gossoutdoor.co.uk)

GOSS Outdoor is a shading systems brand owned by Senol & Senol Ltd.

September 2023 V5.1 [costco.co.uk](http://costco.co.uk) web sales.