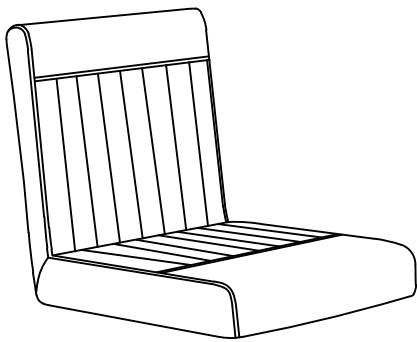
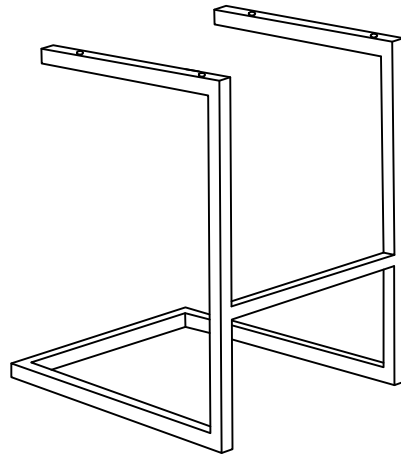


1

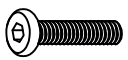


2



1	1x
2	1x

A



M6x40mm

4x

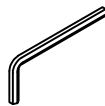
B



Ø18*Ø6.5mm

4x

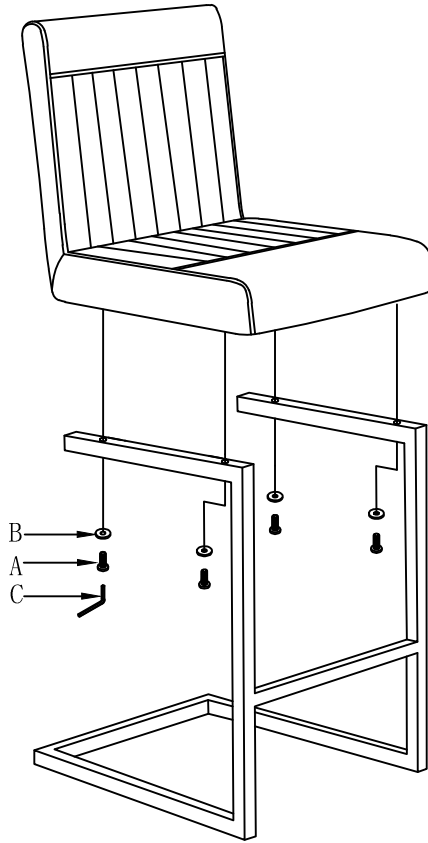
C



4mm

1x

1



2

