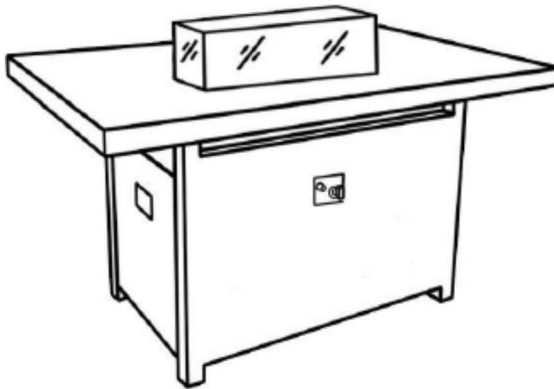




# ASSEMBLY & SAFETY INSTRUCTIONS



## **Rectangle Large Firepit - FPRE**

PLEASE KEEP THIS BOOKLET SAFE FOR FUTURE REFERENCE

# CONTENTS

---

1. Safety Instructions
  2. Gas Cylinder & Regulator
  3. Inventory
  4. Assembly
  5. Technical Data
  6. Warnings
  7. Lighting Instructions
  8. Care and Maintenance
  9. Storage
- 

Thank you for choosing Bramblecrest garden furniture. These instructions include important information about the assembly, use and care of your furniture.

**Please take a moment to read through the instructions before beginning the step by step process.**

Your new Rectangle Casual Dining Table with Ceramic Top & Firepit is made from the highest quality materials and produced under strict manufacturing controls.

Please read the Instructions for assembly before commencing and follow the instructions for use carefully.

Product codes : ADMCDT3FP / RCWMT9CFP / ALRCDT4CFP / RMMT9CFP / RMMT9CFPS / PMCDT3FP / AWPTCDT4CFP / RCTST3CFP / RWTST3CFP / RCTST3CFP / RCWFPCCT / RCWFPCCTA / RM120FPCCT / RM120FPCCTA / RWTST3CFP

# SAFETY INSTRUCTIONS

---

The fire pit is safe and easy to use. The following rules must be followed:

- Ensure that the unit has been assembled correctly according to the instructions.
- Never loosen or allow the gas connection to become loose. Should this happen, immediately ensure that the gas is turned off, and then re-check the security of the connection.
- The appliance shall be kept away from flammable materials.
- Read the Users instruction, Sections, and instructions written on the fire pits, refer to them whenever necessary.
- Never leave the fire pit table unattended whilst in use.
- In the event of a gas leak, immediately turn off the gas supply at source.
- Keep children well clear while fire pit is in use and after use until it has cooled.
- Keep all heated areas clear of combustible materials and/or liquids.
- Never obstruct free flow of air to the fire pit table or alter/adapt the fire pit table to suit any other situation.
- A hose conforming to the national standard must be connected at one end to the LPG regulator and at the other to the fire pit nipple using hose clips. A hose conforming to the national standard must be connected at one end to the main shut off valve of city network gas and at the other to the fire pit inlet with a national standard NG connector.
- Never change the air valve settings of the burner.
- Every time the gas connection is reconnected do a leak test.
- Those parts sealed by the manufacturer or the agent must not be altered by the user.
- Any modification of this gas fire pit may be dangerous.
- Do not move this fire pit during use.
- Turn off the gas supply after use.
- Do not touch the lava rocks until they cool down.
- This appliance is intended for warming purposes.
- This appliance has a naked flame, a suitable guard should be used for the protection of young children, the elderly and the infirm.
- When first used, preheat the lava rocks for 15 minutes to burn out the impurities and air in the natural lava rocks.
- If you use the Rectangle Casual Dining Table with Ceramic Top & Firepit under a porch/veranda be aware that at least 25% of the area is open in order to allow adequate ventilation.

# GAS CYLINDER & REGULATOR

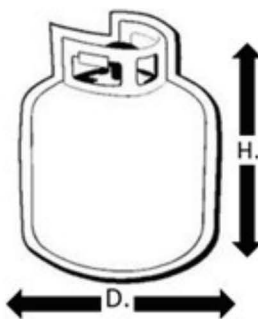
---

Gas: I3+ (28-30/37) G30 Butane, G31 Propane

Pressure: G30 : 29 mbar G31 : 37 mbar

Gas Bottle: the maximum diameter (D.) For a propane cylinder is 32cm. The maximum height (H.) For a propane cylinder is 39cm.

Weight: 5kg

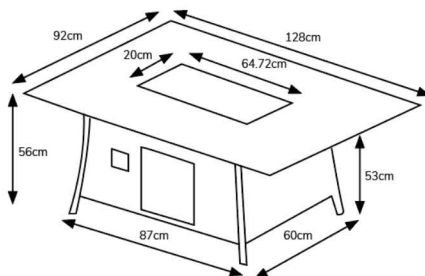
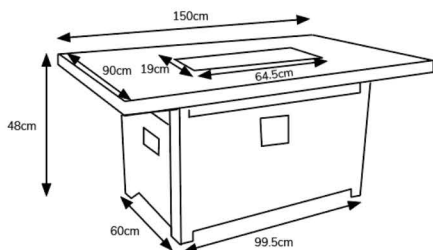


Heat Input (Hs) =9.5 kW (G30:749, G31:738 g/hr)

Injector: 1.5mm



Ignition: Battery Power

Regulator: I3P/37MBAR/CE0845



# INVENTORY

---

CODE	PART		QTY
A	Washers		8
B	Screws		8
C	Allen Key		1

Persons required



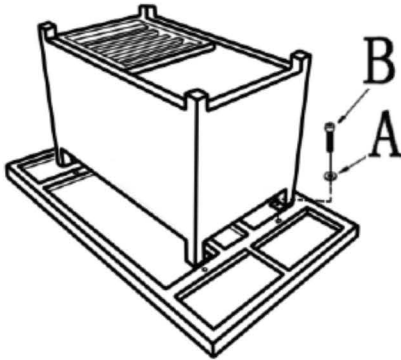
Tools required



Read these instructions through carefully before commencing assembly, and then follow them step-by-step.

# STEP ONE

Place the table top upside down on a soft level surface. Attach the base with shelf onto the table top using the 4 screws and washers provided. Tighten all screws then turn assembled table over.



(A) Washers x4



(B) Screws x4

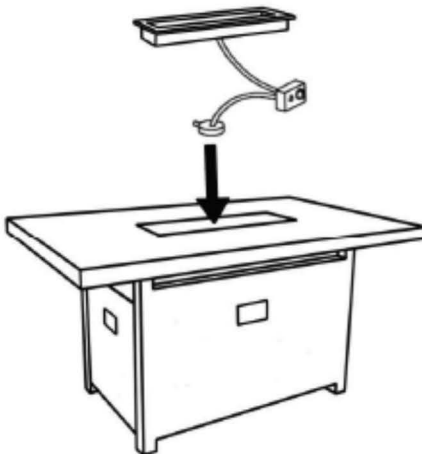


(C) Allen Key



# STEP TWO

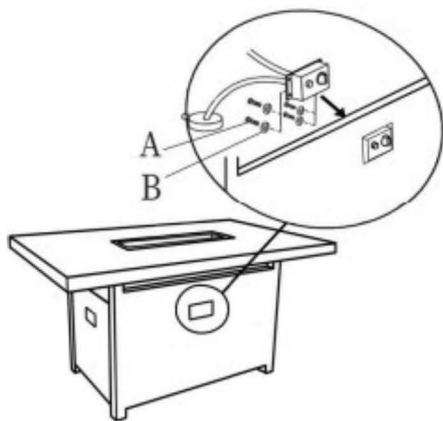
Align pre-assembled burner plate unit. Feed connected pipes and wires through hole in the centre of the table. Carefully place burner tray into the table top.



- The burner plate and ignition unit is supplied as one unit.
- Individual components should not be tampered with.
- Contact Bramblecrest for further details.

# STEP THREE

Remove drawer. Gently manoeuvre switch plate into position (ensuring plate/external holes line up). Then insert ignition box into position then secure into place using parts 'a' and 'b'.



(A) Washers x4



(B) Screws x4

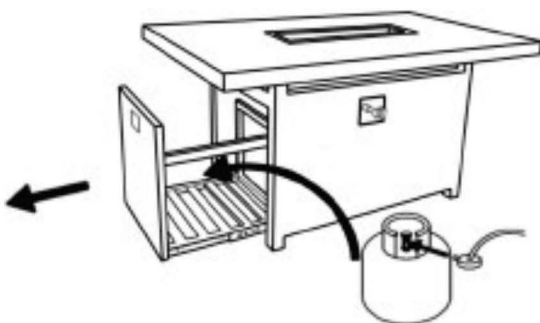


(C) Allen Key



# STEP FOUR

Gently place gas cylinder on shelf. Attach the regulator to the gas cylinder ensuring tap is in the closed position. When fitting the hose make sure that it is free from twisting, kinks or sharp bends. Do not allow the hose to touch any hot surface or sharp edges.

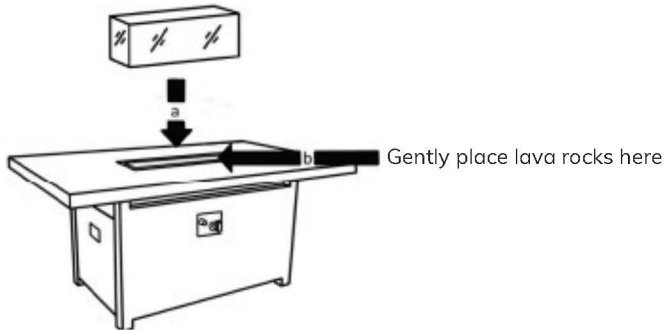


# STEP FIVE

---

Once the fire pit is in position, level and safely connected to the fuel supply, it is now time to install the lava rocks (lava rocks (b) will be found inside a cardboard box marked 'lava rocks'). This is also an essential part of the overall setup as it will impact the way the unit burns if not properly installed. Remove all packaging then layer the lava rocks evenly across the burner plate to a level that is just over the top of the ring but without obstructing the flame outlets. Mandatory glass protective screen (a) can now be placed around burner tray.

Warning : Lava rocks cannot cover the ignition hook

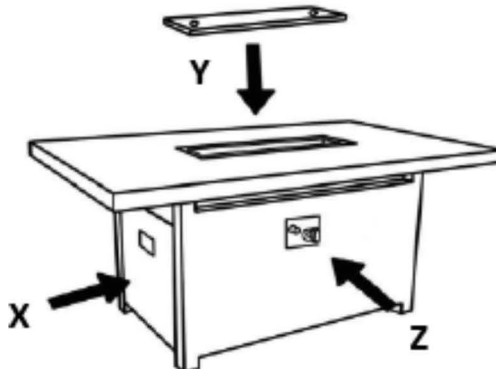


---

# STEP SIX

---

When not in use, ensure regulator tap is closed (x) And set control knob to off (z). Be sure to allow ample time for the burner plate, burner element and lava rocks to cool before gently placing the ceramic protective tile into place. Do not operate burner with protective tile in place (y).



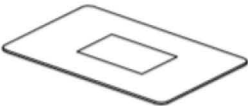

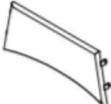






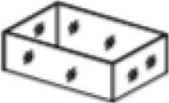


## Your product is now ready for use

The hard work is done and your Bramblecrest furniture is now ready for the great outdoors. To enhance the long term use of your furniture, we suggest that you periodically check it to ensure that all components are in the proper position and free from damage; also make sure connectors are tight and secure. Please keep these instructions for future reference.

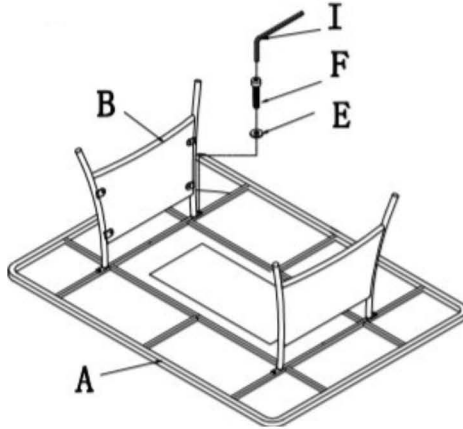


# INVENTORY

CODE	PART		QTY
A	Table Top		1
B	Table Legs		2
C	Rattan Table Skirt		1
D	Rattan Table Skirt with Controls		1
E	Washers		12
F	Screws		12
G	Screws		4
H	Locking Nut		4
J	Burner & Ignition Unit		1
K	Protective Glass		1

# STEP ONE

Place the table top upside down on a soft level surface. attach the table legs to the table top using the 4 screws and washers provided. Tighten all screws then turn assembled table over.



(A) Table Top



(B) Table Legs



(E) Washers



(F) Screws

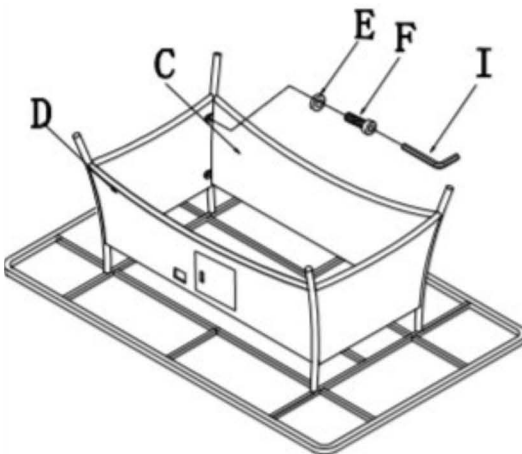


(I) Allen Key



# STEP TWO

Align rattan table skirt and control panel with the table legs and attach together using the screws and washers provided.



(C) Rattan Table Skirt



(D) Rattan Table Skirt with Controls



(E) Washers



(F) Screws



(I) Allen Key



# STEP THREE

Align pre-assembled burner plate unit.  
Feed connected pipes and wires through hole in the centre of the table. Carefully place burner tray into the table top.



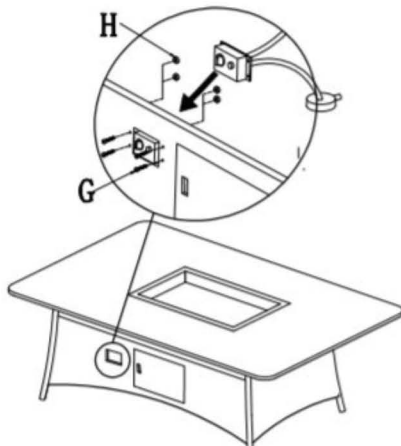
(J) Burner & Ignition Unit



- The burner plate and ignition unit is supplied as one unit.
- Individual components should not be tampered with.
- Contact Bramblecrest for further details.

# STEP FOUR

Gently manoeuvre switch plate into position (ensuring plate/external holes line up). Then insert ignition box into position then secure into place using screws and locking nuts provided.



(G) Screws x4

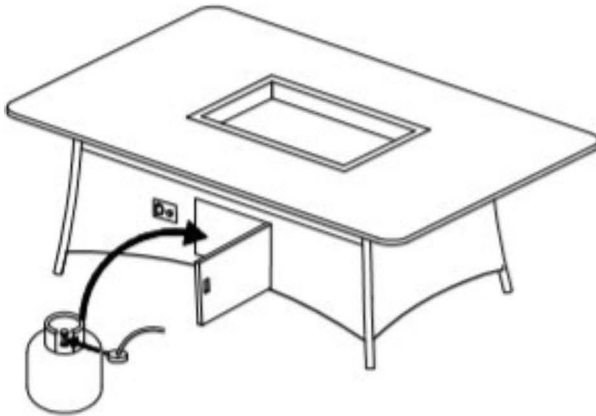
(H) Locking Nuts x4



# STEP FIVE

---

Gently place gas cylinder on shelf. Attach the regulator to the gas cylinder ensuring tap is in the closed position. When fitting the hose make sure that it is free from twisting, kinks or sharp bends. Do not allow the hose to touch any hot surface or sharp edges.

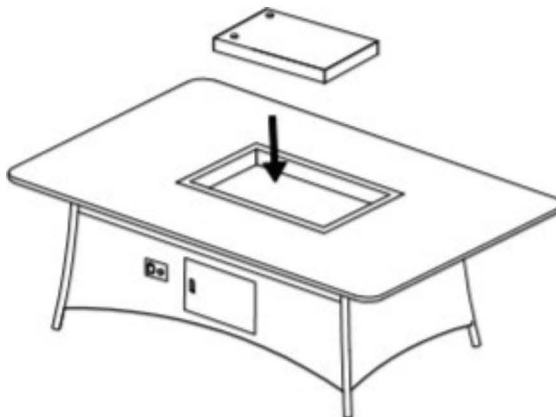


# STEP SIX

---

Once the fire pit is in position, level and safely connected to the fuel supply, it is now time to install the lava rocks (lava rocks (b) will be found inside a cardboard box marked 'lava rocks'). This is also an essential part of the overall setup as it will impact the way the unit burns if not properly installed. Remove all packaging then layer the lava rocks evenly across the burner plate to a level that is just over the top of the ring but without obstructing the flame outlets.

Warning : Lava rocks cannot cover the ignition hook

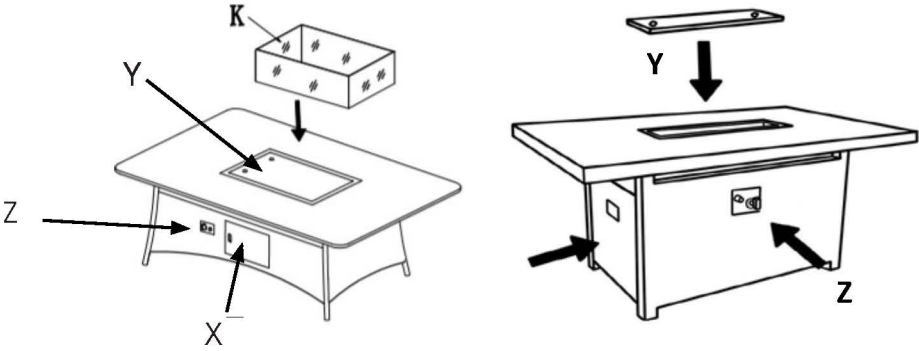


# STEP SEVEN

---

Mandatory glass protective screen (k) can now be placed around burner tray. When not in use, ensure regulator tap is closed (x) and set control knob to off (z).

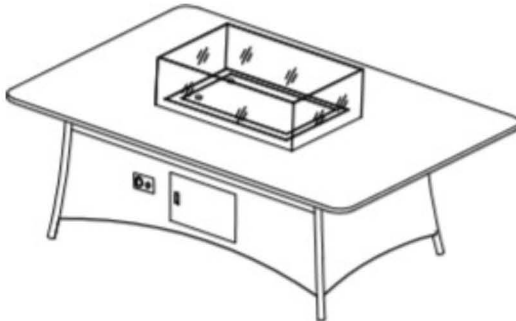
Be sure to allow ample time for the burner plate, burner element and lava rocks to cool before gently placing the ceramic protective tile into place. Do not operate burner with protective tile in place (y).



---

## Your product is now ready for use

The hard work is done and your Bramblecrest furniture is now ready for the great outdoors. To enhance the long term use of your furniture, we suggest that you periodically check it to ensure that all components are in the proper position and free from damage; also make sure connectors are tight and secure. Please keep these instructions for future reference.



# TECHNICAL DATA

**Manufacturer:** BDP Imports Limited.

**Product name:** Rectangle Firepit

**Model number:** FPRE

**Product code:** ADMCDT3FP / RCWMT9CFP / ALRCDT4CFP / RMMT9CFP / RMMT9CFPS / PMCDT3FP / AWPTCDT4CFP / RCTST3CFP / RWTST3CFP / RCTST3CFP / RCWFPCT / RCWFPCTA / RM120FPCCT / RM120FPCCTA / RWTST3CFP

**Input Input 9.5 kW Hi (G30:749, G31:738)**

**Appliance Category:** I3+(28-30/37)

**Gas type:** Butane G30 / Propane G31

**Supply pressure:** 37 mbar

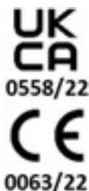
**Injector 1.5mm**

**Country of Destination:** GB

**Country of Destination:** IE

**Pin number :** 8504DN-0093/2531DN-01440558CU2278

**Country of Manufacture:** China



Read the instructions before use the appliance.

**CAUTION:** Touchable parts may be extremely hot. Keep young children at a distance.

## For outdoor use only.

This appliance must be installed in accordance with the rules in force, and used only in a sufficiently ventilated space. Consult instructions before installation and use of this appliance.

**WARNING:** THIS UNIT HAS AN OPEN FLAME. A SUITABLE INDIVIDUAL SHOULD MAKE SURE TO PROTECT YOUNG CHILDREN AS WELL AS ELDERLY AND SICK PERSONS.

Do not store gasoline or other flammable vapor and liquids in the vicinity of this device, or any similar device.

**WARNING:** Any changes to this device can be dangerous: improper installation, adjustment, modification, operation or maintenance can cause personal injury or damage to your property.

**WARNING:** This device is designed for outdoor use and not intended for use in any confined space, recreational house or boat.

**WARNING:** Always keep flammable materials at a distance of at least 1.2 metres from the unit on all sides. Using the device under a ceiling is prohibited.

**WARNING:** Installation and repair should be performed by an authorized service, agency or gas supplier: do not try this yourself.

**WARNING:** Never use this device before all connections are leak tested in accordance with the instructions in the manual.

**WARNING:** Do not ignite when your face or hands are above the device.

### WHAT TO DO IF YOU SMELL GAS:

Turn the control knob to the "OFF" position.

Close the valve on the gas canister.

Check the appliance for gas leaks following the instructions in the manual.

When in doubt, contact your supplier.

### IGNITING THE APPLIANCE:

1. Remove the protective cover.

2. Make sure that the gas canister is connected and open the gas valve.

3. Push the control knob depressed while turning it counter-clockwise to the minimum position (small flame). Simultaneously press the ignition button (star). The device must be ignited within 15 seconds. If you can hear no spark ticking, replace the battery. If the device does not ignite within 15 seconds: close the gas valve and wait five minutes before relighting the device.

### TURNING OFF THE APPLIANCE:

Turn the control knob to the "OFF" position.

Close the valve on the gas canister.

**DATA PLATE**

# WARNINGS

---

## **INSTALLATION AND OPERATION INSTRUCTIONS FOR OUTDOOR GAS FIRE PITS WARNING:**

If the information in these instructions are not followed exactly, a fire or explosion may result causing property damage, personal injury or loss of life. Do not store or use gasoline or other flammable vapours and liquids in the vicinity of this table.

### **WHAT TO DO IF YOU CAN SMELL GAS FUMES:**

- Do not try to light any appliance.
- Do not touch any electrical switches.
- Close all valves.
- Seek advice from a registered gas appliance engineer.

### **WARNING:**

- Ensure lava rocks are cold before approaching burner plate.
- Lava rocks must not be lit when wet.
- Always store lava rocks in a cool dry place when not in use for long periods of time.
- If used when wet, lava rocks may be subject to cracking or popping.
- After immediate use the burner plate (and it's contents) will remain hot for a period of time.
- Always use fire resistant gloves when handling used lava rocks.

### **WARNING:**

- For outdoor use only.
- Read the instructions before using the appliance.
- Accessible parts MAY be very hot. Keep young children away.
- Do not move the appliance during use.
- Clean the soot before use.

### **WARNING:**

- This unit is not for use with solid fuels.

### **WARNING:**

- This appliance shall be used ONLY outdoors in a well-ventilated space and shall NOT be used inside a building, garage, or any other enclosed area.

### **WARNING:**

- This appliance is not approved as a cooking device and should not be used as such.

### **WARNING:**

- Cylinders must be stored outdoors out of reach of children. Disconnected cylinders must not be stored in a building, garage or any other enclosed area.

### **WARNING:**

- Storage of this appliance indoors is permissible only if it has been disconnected from its fuel supply. Always keep the appliance area clear and free from combustible materials, gasoline, and other flammable vapours and liquids.

### **WARNING:**

- Do not throw or discard rubbish into burner plate.



# WARNINGS

---

## PLEASE NOTE:

- Minimum clearances: 1 meter to combustible construction must be maintained.
- You must have clear and easy access to the on/off valve AFTER the appliance is installed and connected to the gas supply in order to safely turn off the burner.
- The table must be placed on a firm surface.

## PLEASE NOTE:

- If it is evident there is excessive abrasion or wear of any of the components, if the fuel supply hose is cut or cracked, it must be replaced prior to the appliance being put into operation by a competent gas engineer.
- Children and adults should be alerted to the hazards of high surface temperatures and should stay away to avoid burns or clothing ignition.
- Young children should be carefully supervised when they are in the area of the appliance.
- Clothing or other flammable materials should not be hung from the appliance, or placed on or near the appliance.
- Any guard or other protective device removed for servicing the appliance must be replaced prior to operating the appliance.
- Inspect the fuel supply connection for signs of leakage before each use of the appliance.

## TESTING FOR LEAKS:

- Ensure knob is OFF and open the regulator valve.
- Use a solution of half detergent and half water for leak testing. Brush solution on each connection and check for bubbles.
- If a leak is present, turn off the gas supply and tighten the loose joint.
- If the leak persists, contact an authorized agent.

# LIGHTING INSTRUCTIONS

---

## FOR YOUR SAFETY READ BEFORE LIGHTING:

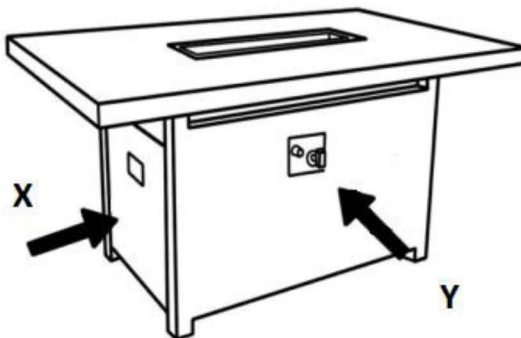
- Before operating, smell all around the appliance area for gas odours and next to the floor because some gases are heavier than air and will settle on the floor.
- Use only your hand to turn the manual gas control valve. Never use tools. If the valve will not turn by hand, do not try to repair it. Call a qualified service technician. Force or attempted repair may result in a fire or explosion.
- Do not use this appliance if any part has been under water. Immediately call a qualified service technician to inspect.
- Ensure all alien objects are not obstructing or near the Firepit Table when lighting.

## LIGHTING YOUR FIREPIT TABLE:

- Open drawer (X.) then set gas regulator tap to open.
- A small amount of air will be in the lines. When the first lighting the burner, it will take a few seconds for the lines to purge themselves of this air.
- Lighting instructions (Y.). Push and turn the knob to high.
- Hold ignitor to light the burner, release control knob after 45 seconds. If burner does not light, wait 5 minutes then repeat.
- Adjust control knob to achieve desired flame strength.

## TURNING OFF THE APPLIANCE:

- Turn the control knob to the 'OFF' position. Close the valve on the gas cylinder



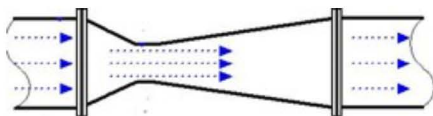
# CARE & MAINTENANCE

---

- The only replaceable part will be the assembled burner plate unit.
- Tampering is DANGEROUS and voids all warranties. If any component is found to be faulty, you must report back to the retailer who holds the contract of sale.
- The appliance should be inspected and cleaned before use.
- Clean all loose debris from glass beads and burner.
- The recommended cleaning solution will be ¼ mild soap solution per litre.
- Periodically remove the lava rocks and examine the burner and its components for faults (Clean all port holes in the burner, making sure there are no obstructions).
- Periodically check the hose connecting, the cylinder to ensure it is not cracked or damaged in any way
- To ensure you keep your hoses and tubing in tip-top condition, keep it away from bright sunlight, dampness, abrasion and excessive loading. Supplies should be confirmed with a valid certification to BS3212 or BSEB1763, and should also be manufactured under a quality system registered to BS EN ISO 9000. BS3212 or BSEN1763. The hose should not exceed 150cm in length.

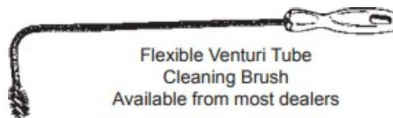


Propane has an odour like rotten eggs. This odour is added as a safety precaution, it makes it easy to detect in the event of a leak. This odour also attracts insects. They will nest in and around the venturi tubes. They enter through the air intake on the venturi tubes. Their nests or webs can cause a full or partial blockage of the venturi tube causing the gas to flow back out of the venturi tube (see IMAGE below for a venturi tube).



**CLEAN THE VENTURI TUBES OFTEN AND WHEN ANY OF THE FOLLOWING SYMPTOMS OCCUR:**

- You smell gas.
- Your firepit does not reach temperature.
- Your firepit heats unevenly.
- Your burner makes popping noises.



**WE CANNOT STRESS HOW IMPORTANT IT IS THAT THE VENTURI TUBES BE ABSOLUTELY CLEAR AND CLEAN!**

Even a small blockage can cause a flashback or cause enough turbulence within the venturi tube to give an improper air / gas mixture and therefore an improper flame. The webs or nests can be very small, but they are very strong!

**IF IN DOUBT, CONTACT A QUALIFIED GAS TECHNICIAN**

# STORAGE

---

- Regularly clean the firepit table between uses and especially after extended periods of storage.
- Ensure the firepit and it's components are sufficiently cool before cleaning.
- Do not leave the Firepit table to outside weather conditions or stored in damp, moist areas.
- Never douse the table with water when the surfaces are hot.
- Your Gas bottle must be stored outdoors in a well ventilated area and must be disconnected from your Firepit Table when not being used.
- Ensure that you are outdoors and away from any sources of ignition before attempting to disconnect your gas bottle from your Firepit Table.
- For the balance of the year, it is recommended that the firepit is covered to protect it against the elements. Before installing the cover make sure the unit is shut off, that the gas lines are disconnected and that the unit has had sufficient time to cool.

# HELP & ADVICE

---

For any advice about assembling your product, please contact our customer support team with your order number – contact details are shown below.

If you purchased a Bramblecrest product via one of our stockists, please contact them in The first instance to discuss their replacements or returns process.

## What should you do if you encounter a problem?

Any faulty goods must be reported within 24 hours of delivery.

When returning an item that you purchased directly from us, please contact the support team either via email, chat or phone with your order number and they will be able to best advise you with your query.

For full terms and conditions regarding returns and replacements, please visit our website.

Purchases must be registered at [www.bramblecrest.com/registration](http://www.bramblecrest.com/registration) within 28 days of delivery in order to claim your guarantee\*.

---

Email	<a href="mailto:customersupport@bramblecrest.com">customersupport@bramblecrest.com</a>
-------	--

---

Telephone	01285 760974 Mon-Fri 9am-5pm
-----------	------------------------------

---

Live Chat	Please find the chat button situated in the bottom right of our webpage
-----------	---

---

## BDP IMPORTS LIMITED

Hangar 9, Aston Down Business Park,  
Stroud, GL6 8GA

*\*For full terms on our product guarantee, please visit our website*

  
**Bramblecrest**<sup>®</sup>  
Garden Furniture of Distinction