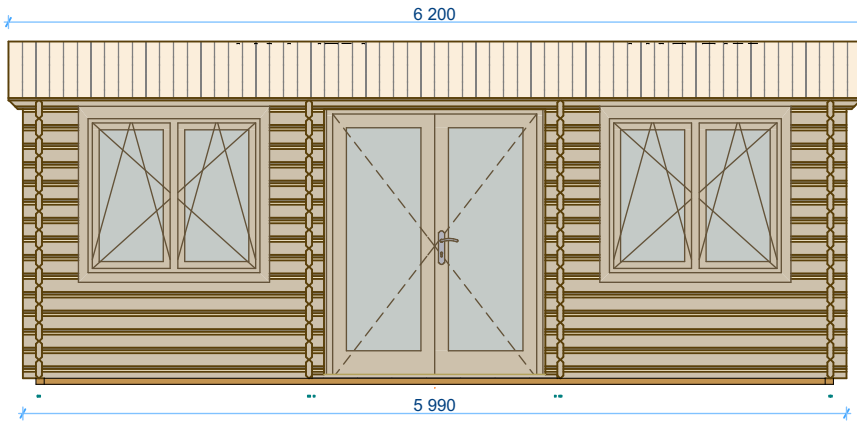




44 Whinfell 2,99x5,99 S30948

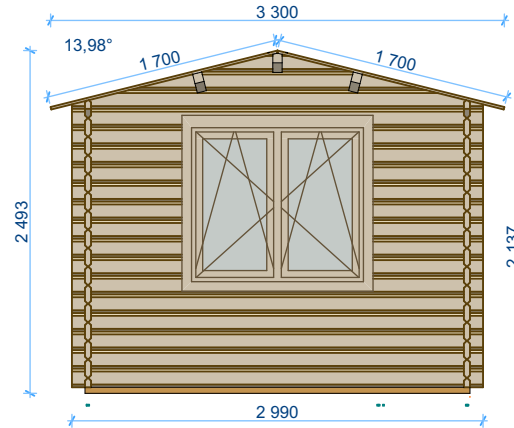
Front Elevation

1:55



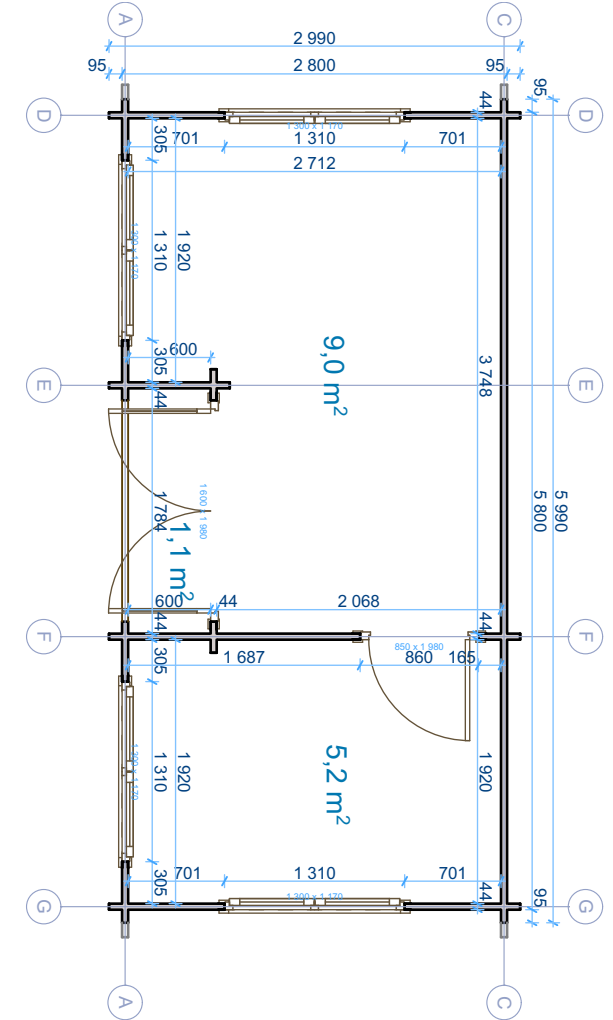
Left Elevation

1:55



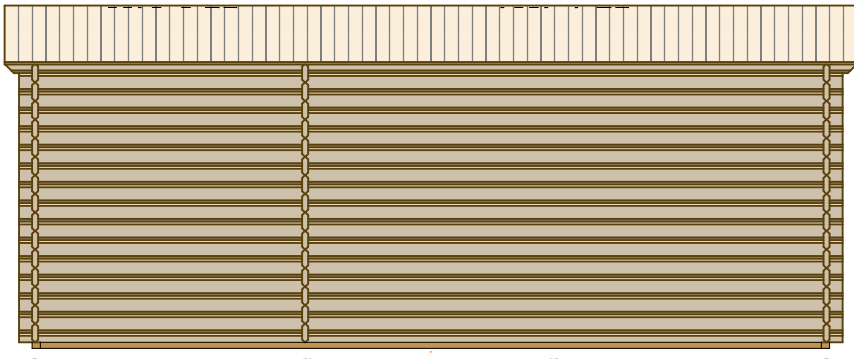
Ground floor plan

1:55



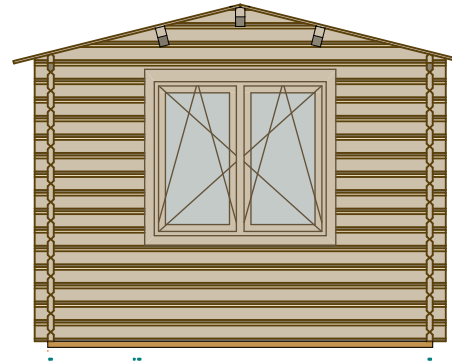
Back Elevation

1:55



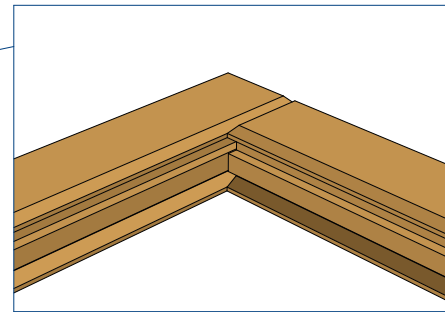
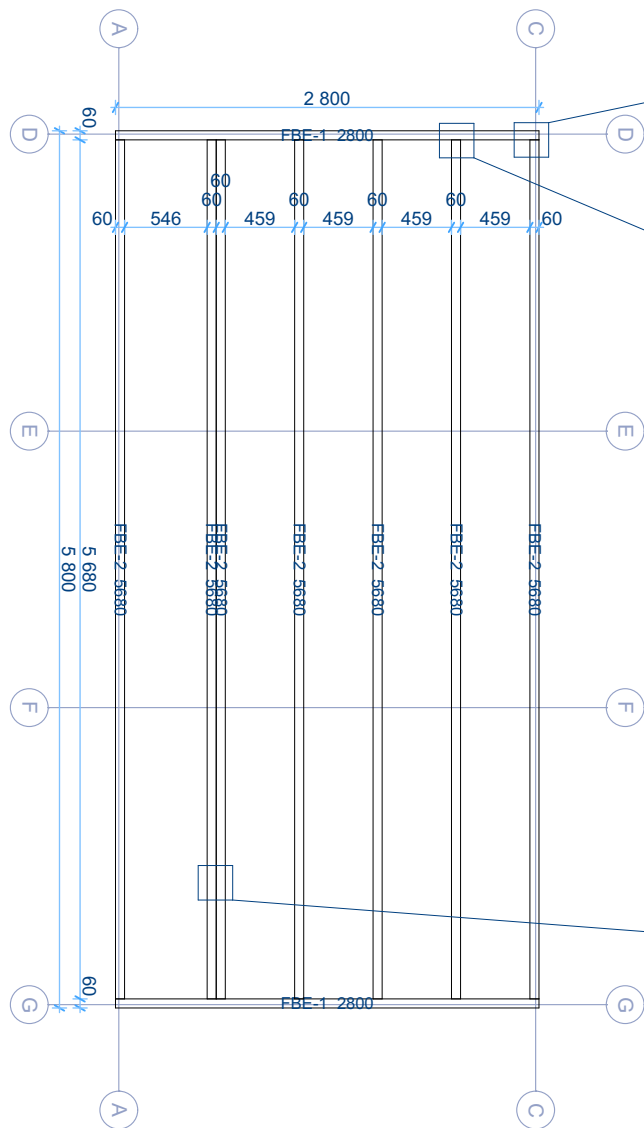
Right Elevation

1:55



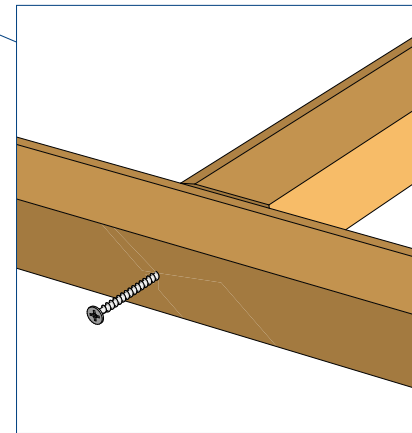
Floor bearers plan

1:50



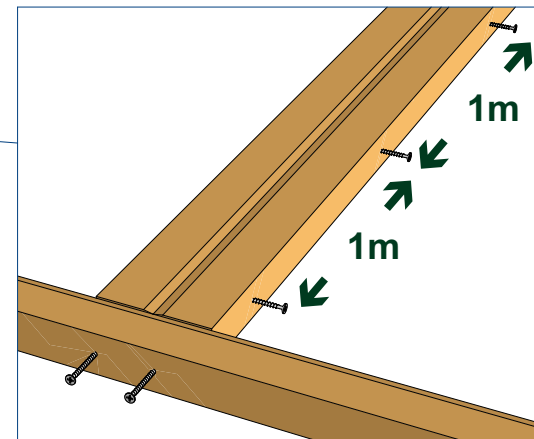
1

Place floor bearers according to the "floor bearers" plan. Notice that grooves should look to inside.



2

Use 5x100 screws in every point where floor bearers connects.



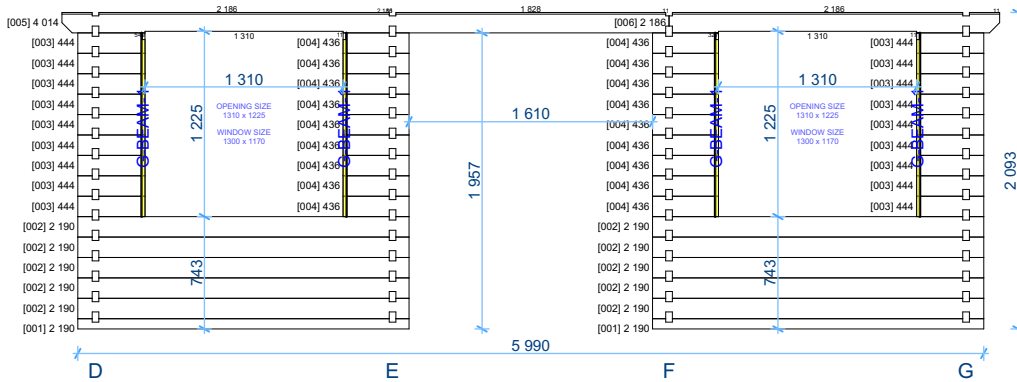
3

Use 5x100 screws every ~1m distance to attach double floor bearers.

! Note: installation parts for fixing floor bearers to the base aren't included.

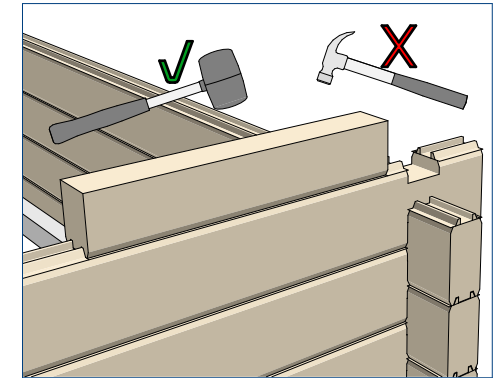
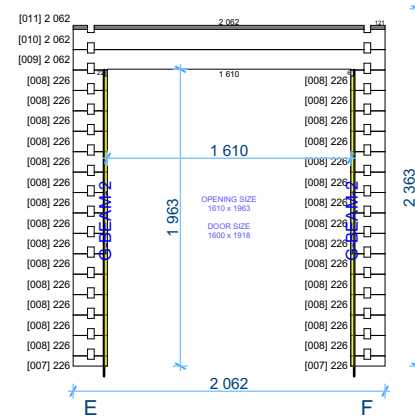
Wall A

1:50



Wall B

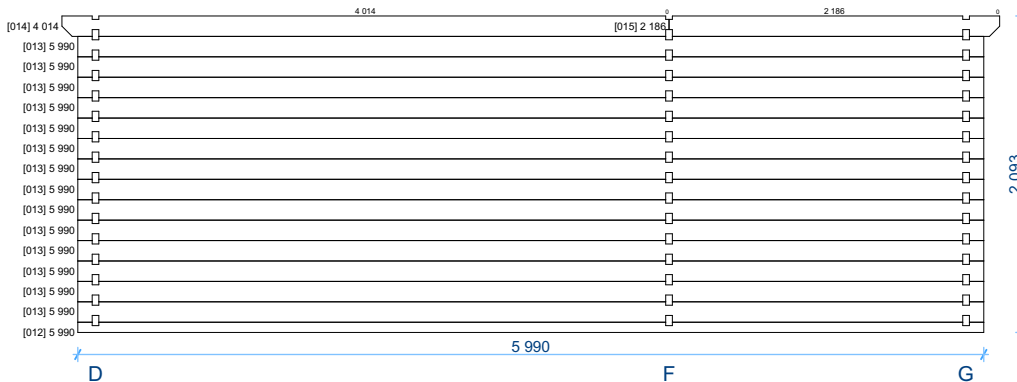
1:50



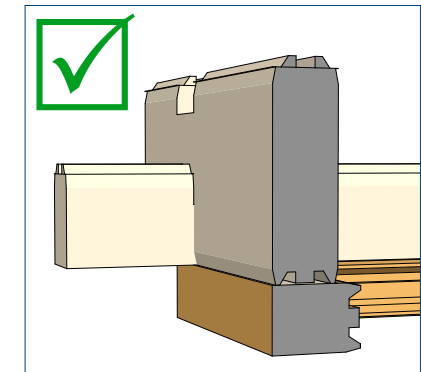
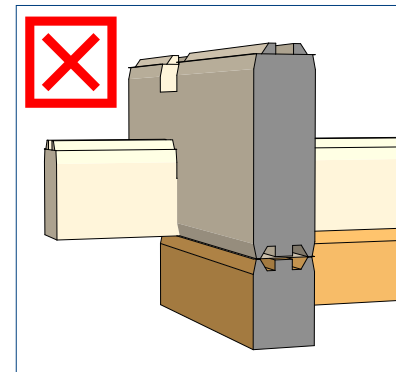
Attention: do not use a metal hammer. Use a rubber hammer and spare wood peace to avoid any damages.

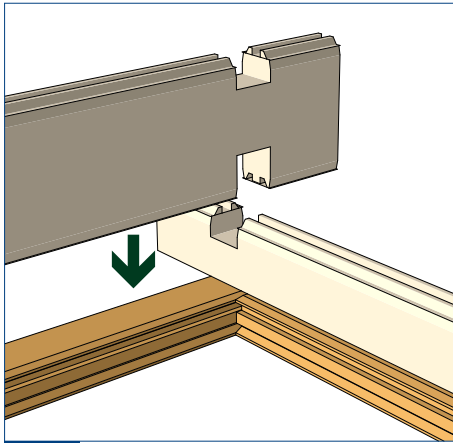
Wall C

1:50



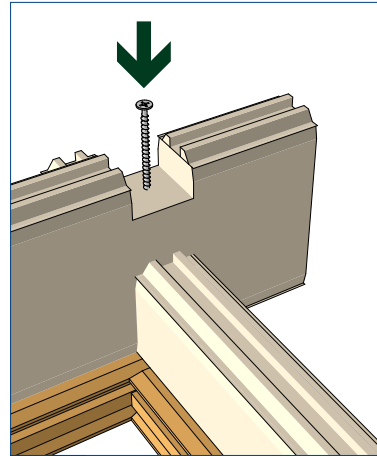
Note: pay attention to the position of the wall logs. Tongue looks upwards.





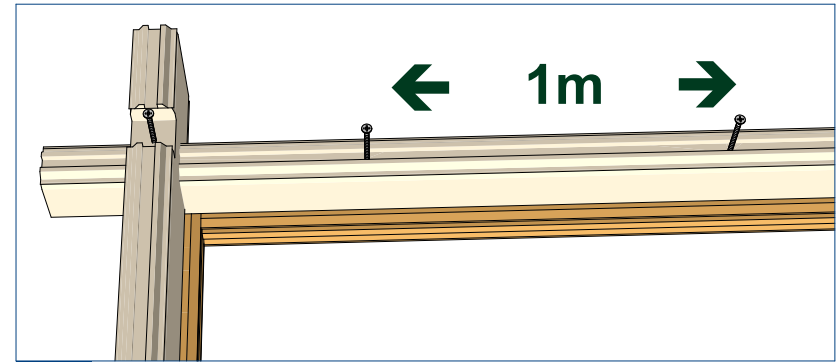
1

Install 1st row of logs, which includes half and full logs (see walls layouts).



2

Use 5x100 screws in the corners (where wall logs connects).



3

Use 5x100 screws every ~1m distance to attach half logs to the floor bearers.

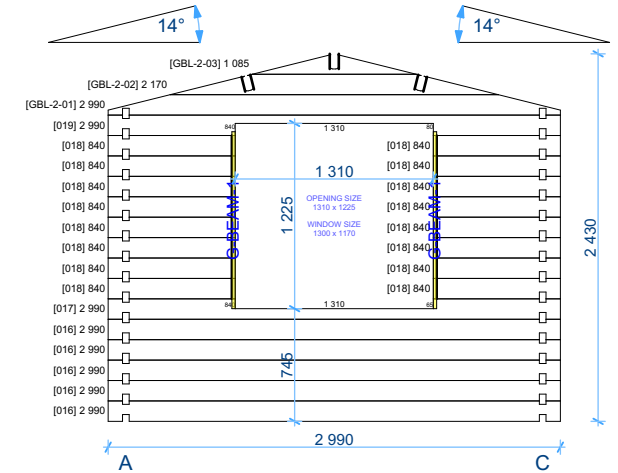
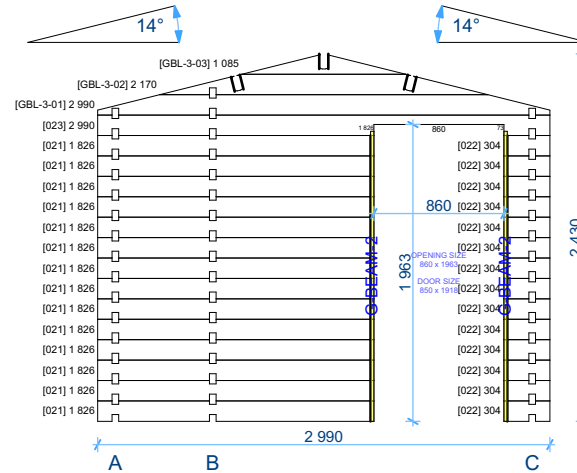
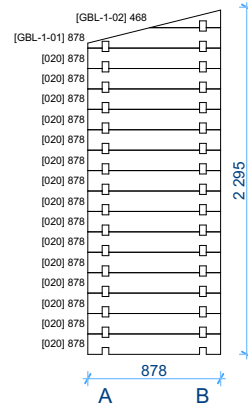
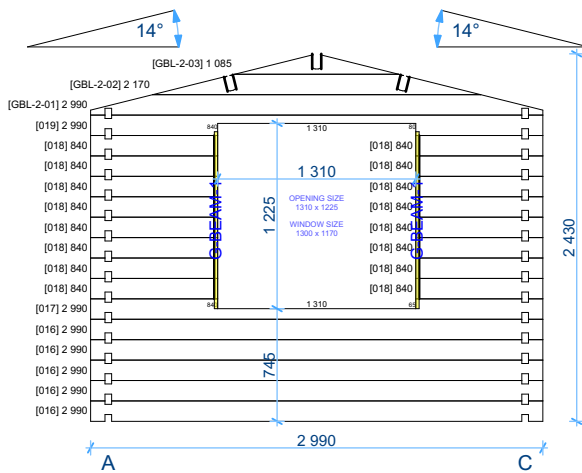
Wall D

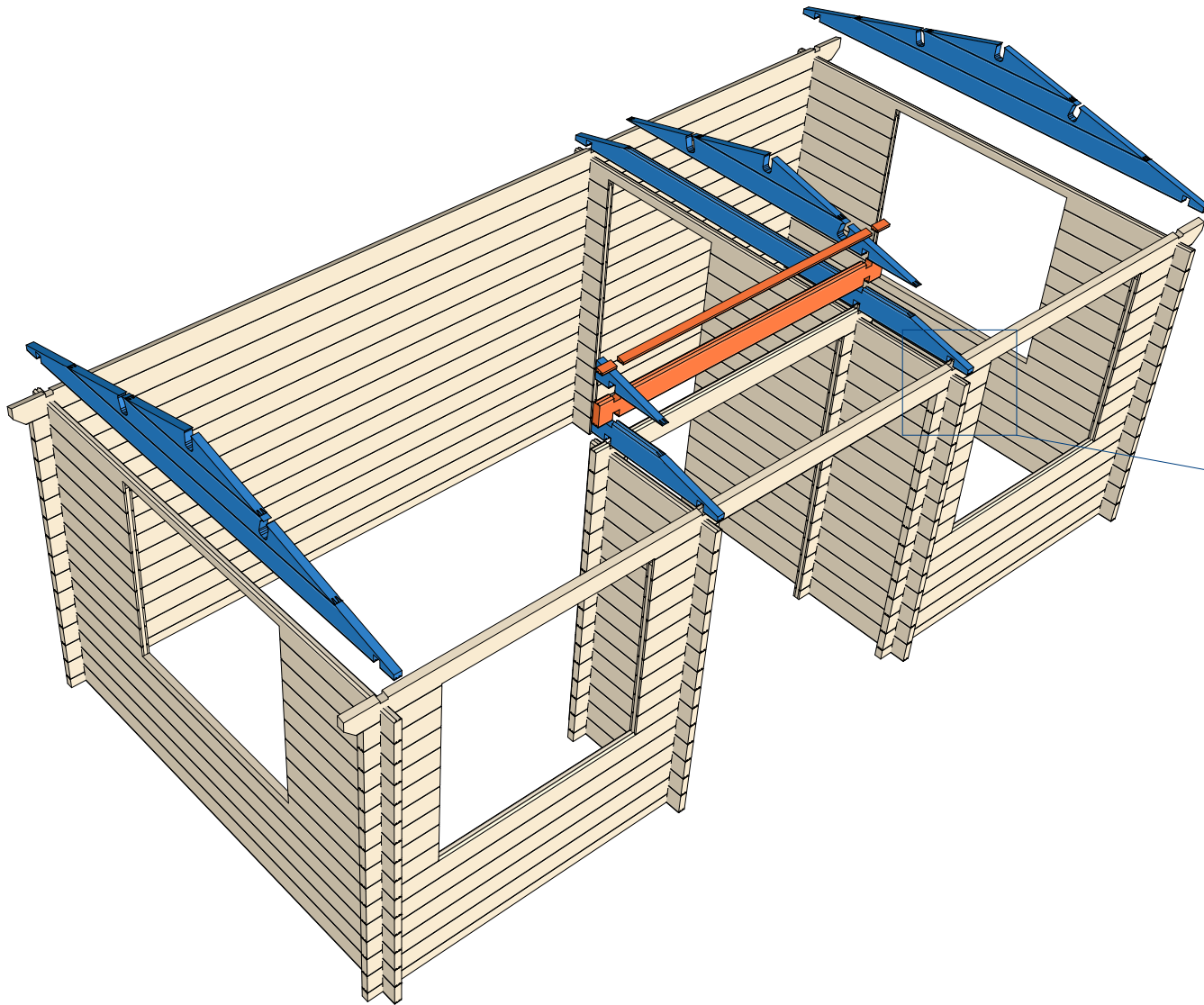
1:50 Wall E

1:50 Wall F

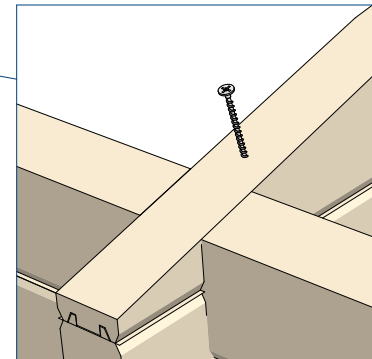
1:50 Wall G

1:50

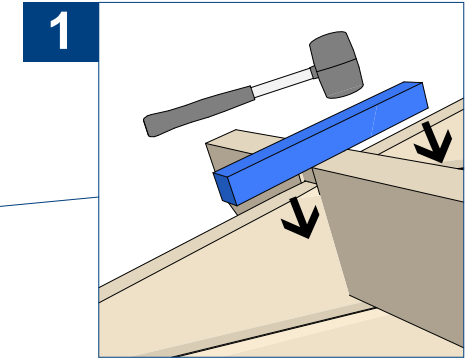
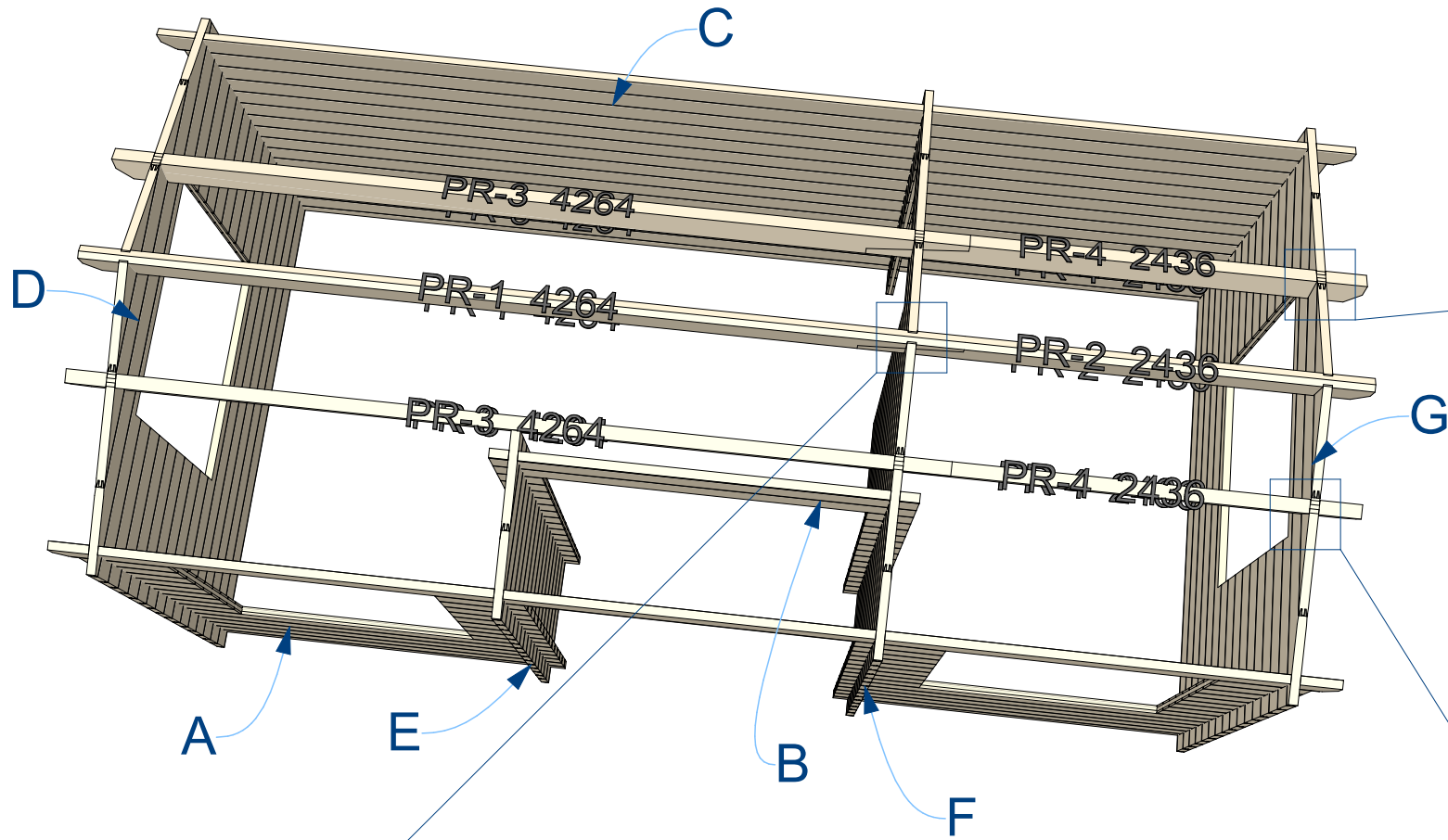




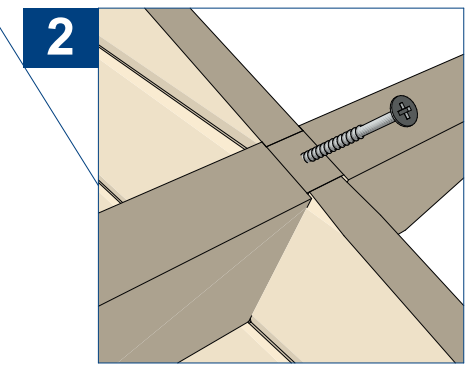
Gable ends are pre cut already. Some of them are already assembled. If the gable end is made of one piece, place it to the correct place. Some of them come in separated parts, so place them in the correct sequence (keep attention to the installation).



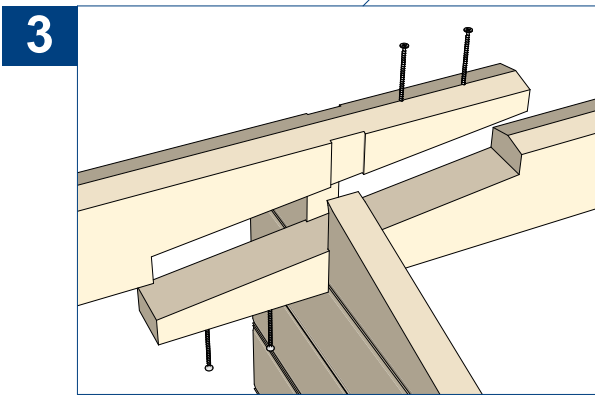
Use 5x120 screw to connect 1st log of the gable ends to the wall below.



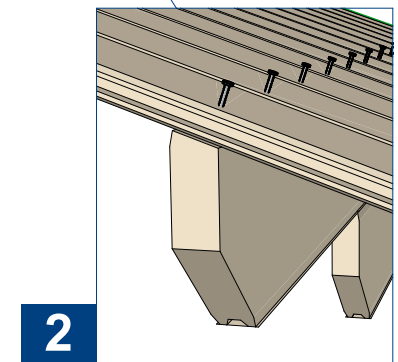
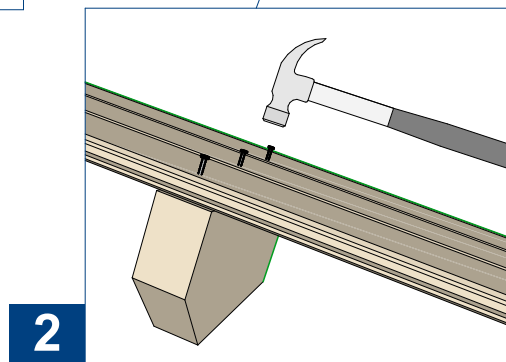
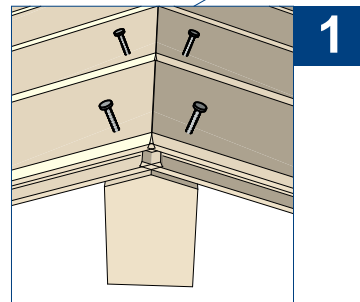
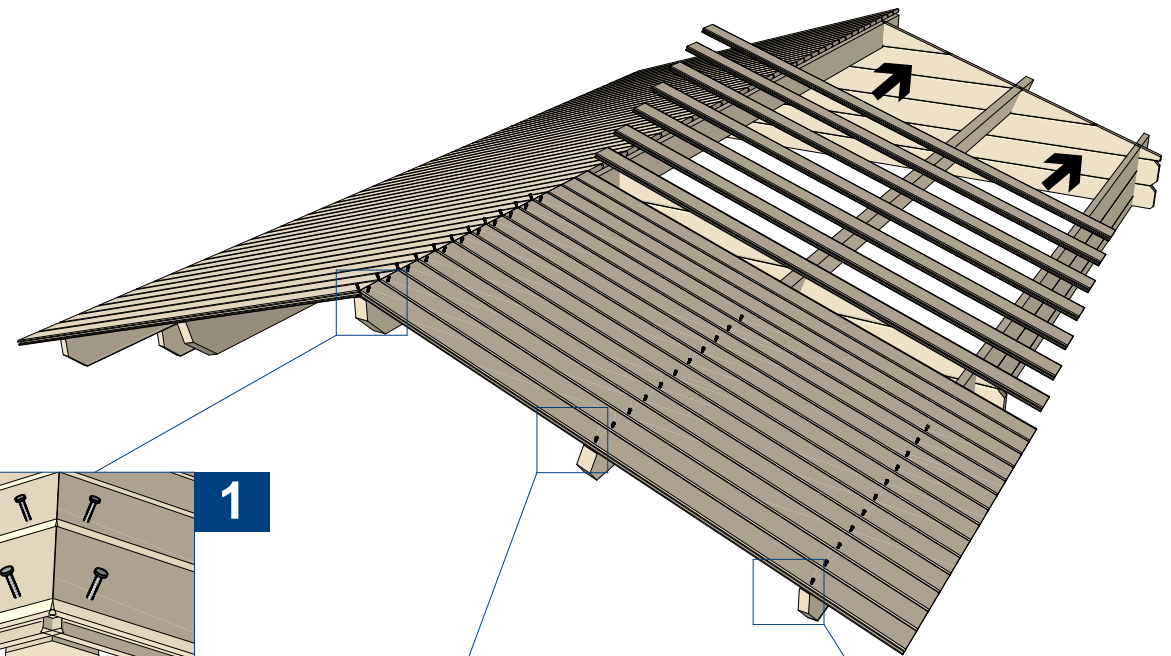
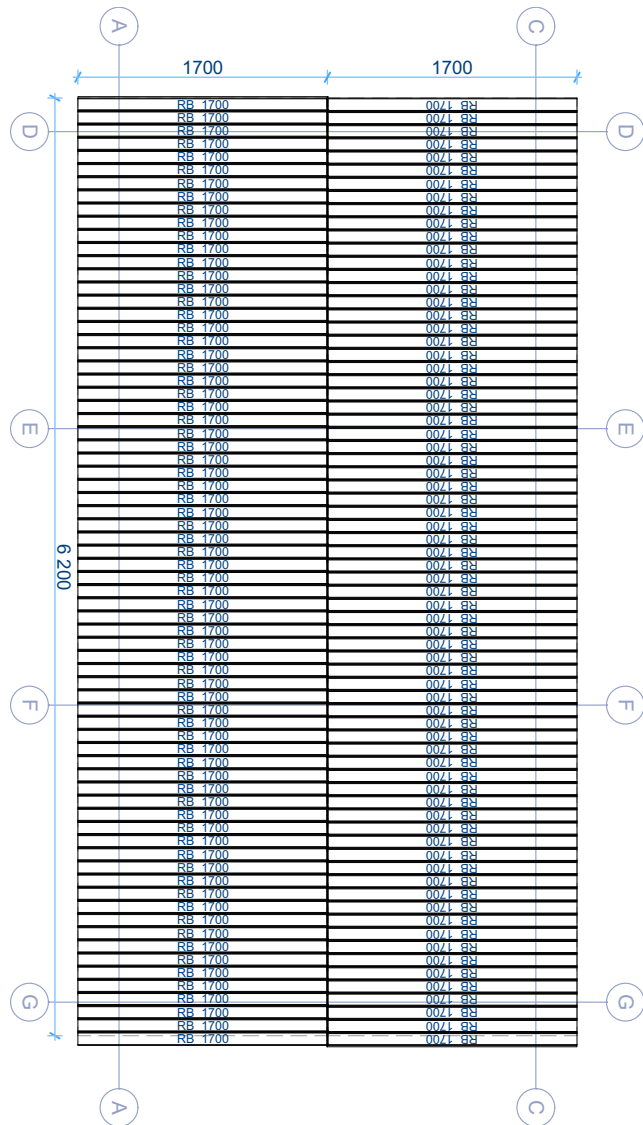
1
After gable ends are installed, place purlins in their places. Make sure if purlin fits correctly to the groove. If it's hard to place the purlin, then use a rubber hammer and spare wood piece. If needed, manually adjust the width or depth of the groove.



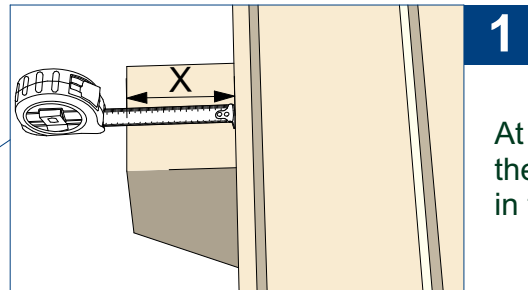
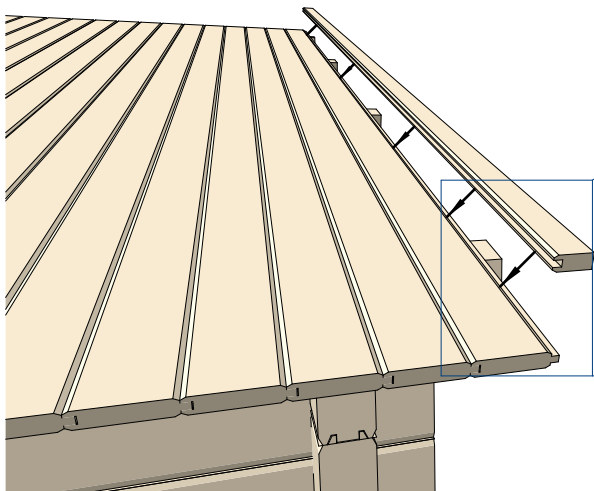
2
For single purlin use a 1x screw 5x120 per connection point. Screw purlin by angle to attach it to the logs of the gable end.



3
For single-scarf purlins connection, use a 4x screws 5x120 per connection point. Tighten the screws to secure the purlins together.

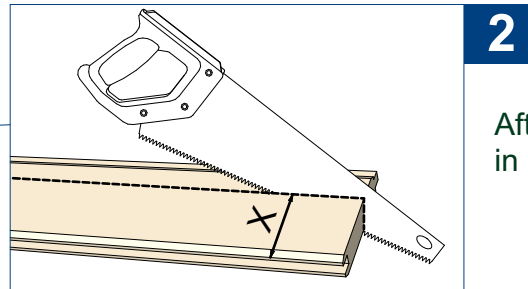


1. Installing purlins keep the centre of ridge line.
2. Use metal hammer and 1x nail 2,5x4 per connection point. Connection points are every purlin and top wall log of the side walls.



1

At the end of the roof, please measure the width of the last roof board. It's recommended to measure in the 2 places: ridge and the side wall.

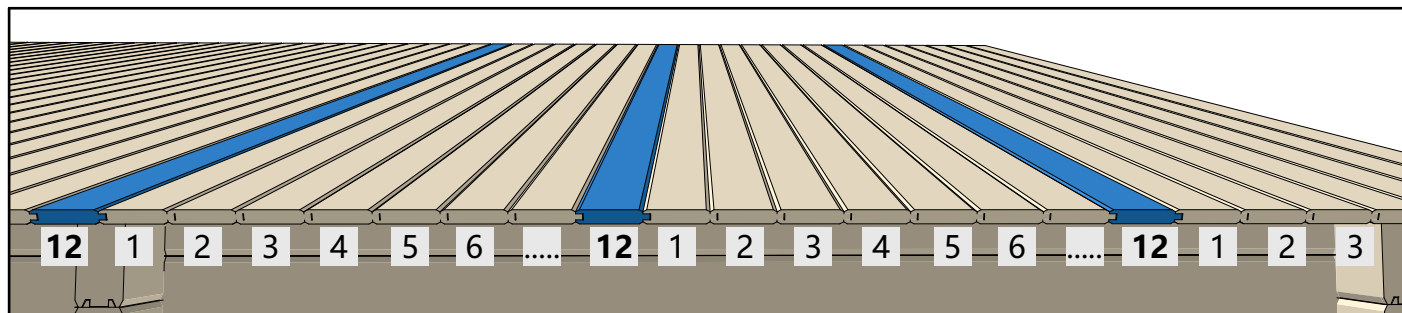


2

After measures are made, saw the last roof board in length and nail it to the connection points.

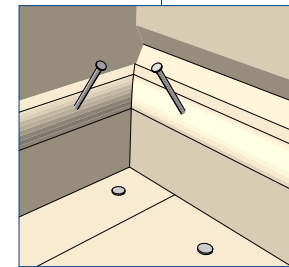
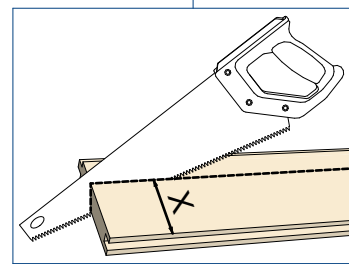
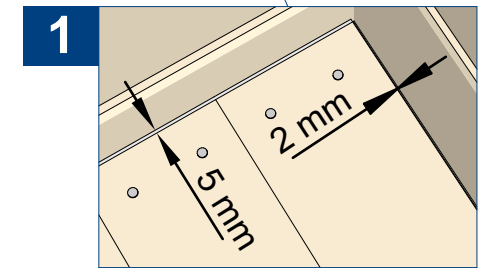
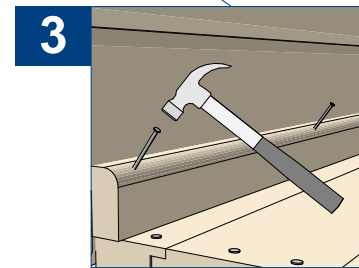
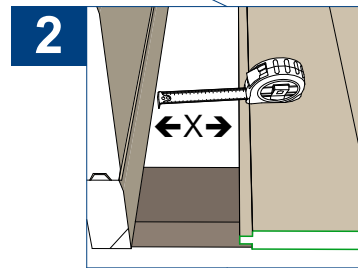
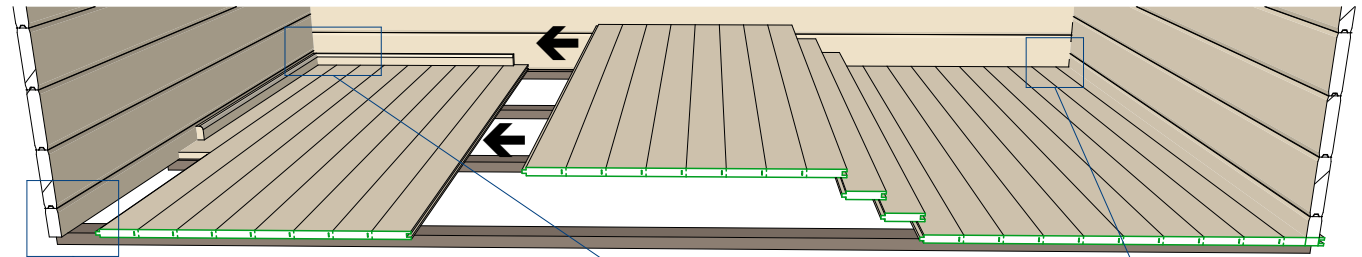
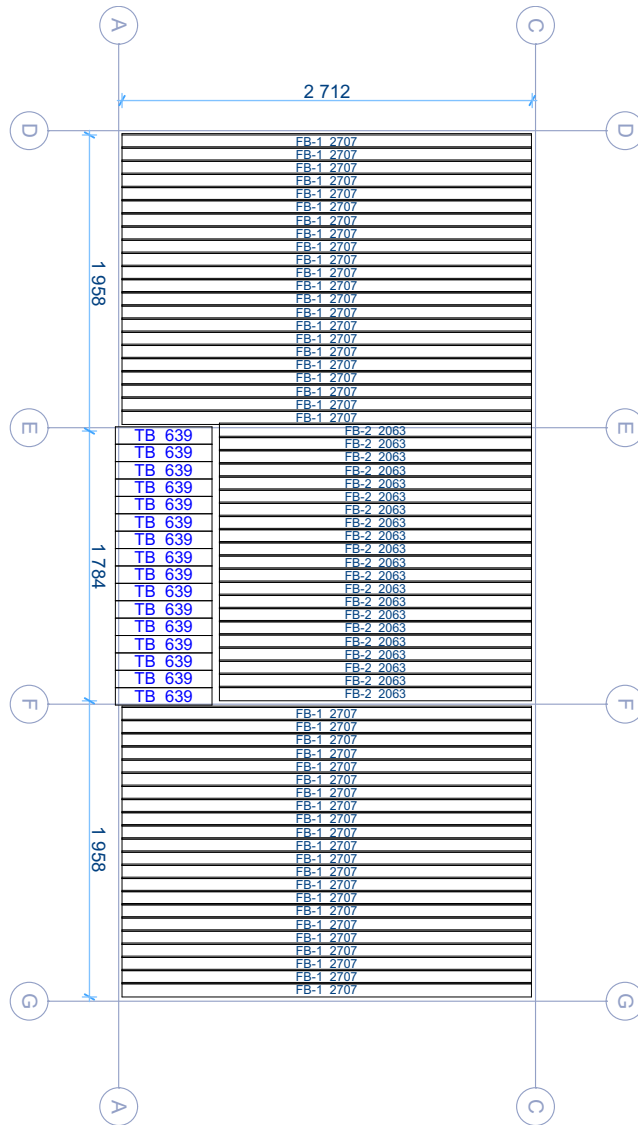


Recommendation: screw every 12th roof board using 3x40 screws.



Floor boards plan

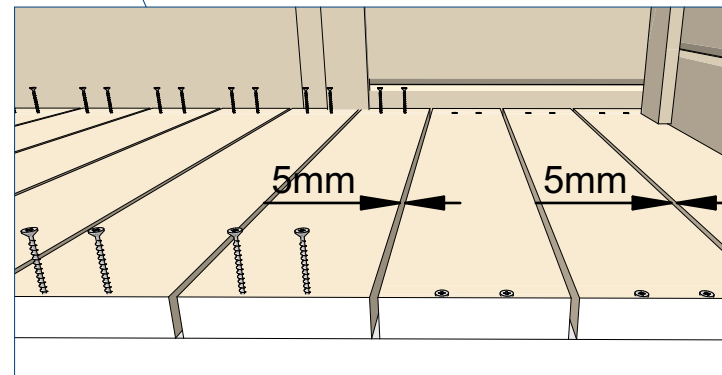
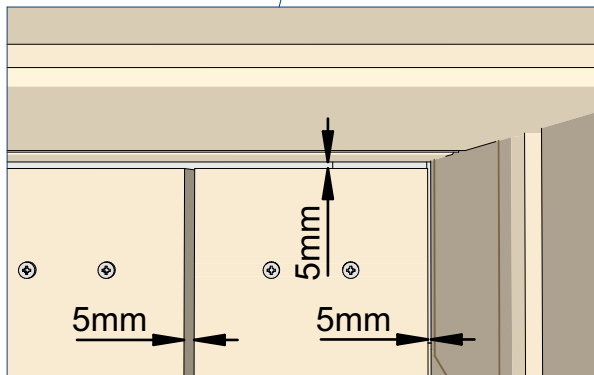
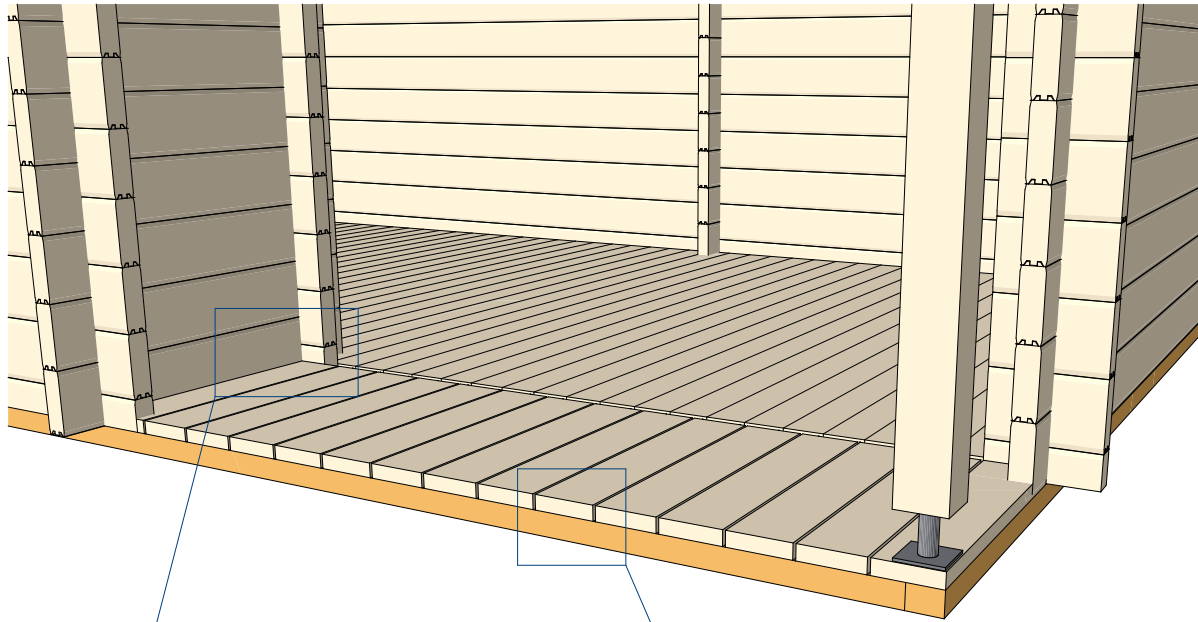
1:50



2. When installation of floor boards almost finished, measure the gap between floor board and wall. Saw the last floor board in length according to the measures (make sure between last floor board and wall leave at least 2mm gap). Easily place the last floor board to place, install nails like before.

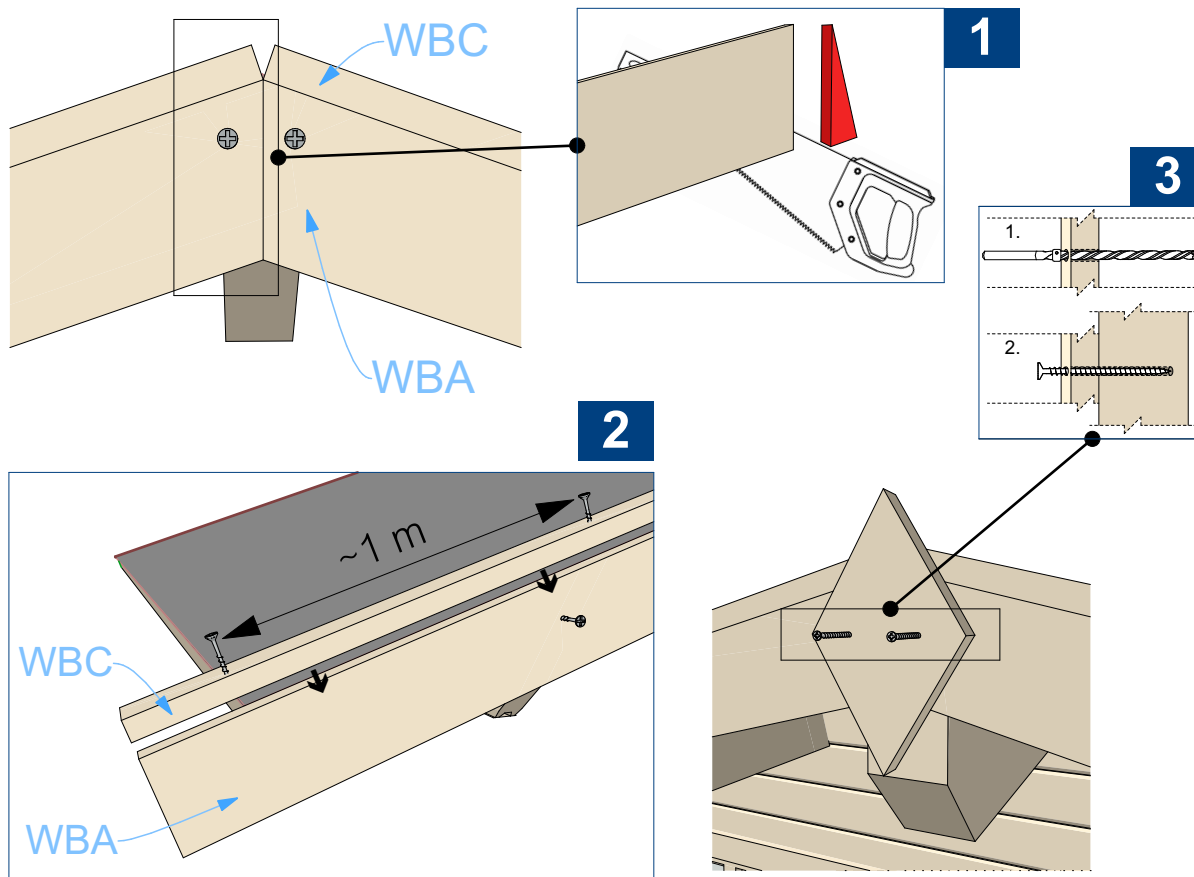
3. The connection of trims could be made in 2 options:
 3.1 Cut ends by 45° (to have connection as it shown in the image);
 3.2 Use perpendicular connection with 90° of trims. While fixing the trims use nails 3x40 every 1meter distance.

1. It's important while installing floor boards keep space gaps from side wall minimum 2mm and minimum 5mm in length (floor boards are cut 5mm shorten then the length of the room already); Use 2x of 2,5x40 nails per 1 connection point (connection point is where floor board and floor bearer crosses).

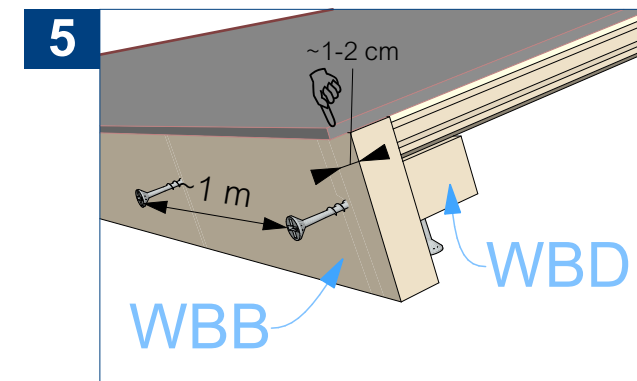
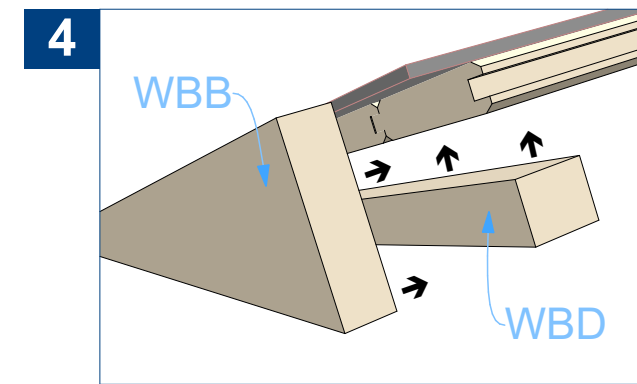


Start install terrace boards from the left or right side. Make sure there is a 5 mm gap in length and at least 5mm from the side;
Use 2x of 4x50 screws per connection point. It's very important make minimum 5mm space between terrace boards (it's necessary, because terrace board should easily shrink and expand).

! Note: wind boards should be installed only when the roof cover was installed already.

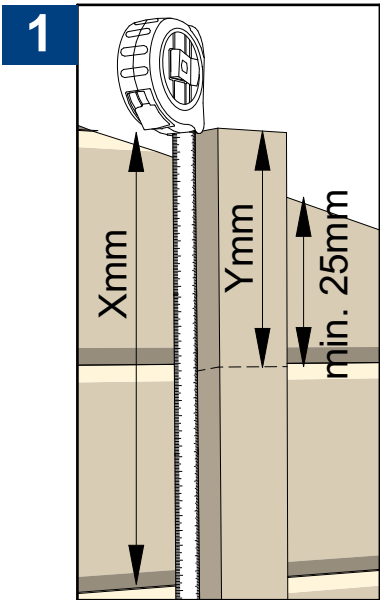


1. Cut the end of the WBA where both WBA wind boards are connected at the ridge;
2. Place WBA (at the side part of roof), then place WBC at the top; Screw wind boards WBA using 1x screw 3x40 in every connection with purlin or wall logs; Screw wind boards WBC using 1x screw 3x40 every 1 meter distance (installing WBC try to screw it directly to WBA avoiding damage the roof cover);
3. Before installing the rhombus, please drill 2 points where the screws should be placed.

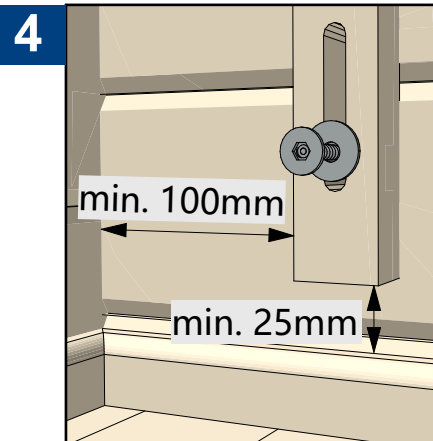


Recommendation: cover should overlap WBB at least 1-2cm. It protects wooden parts from the water.

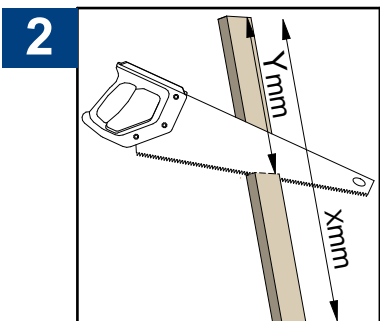
4. Firstly place WBD (at the below of the roof boards), then place WBB at the side part;
5. Screw wind boards WBB and WBD using 1x screw 3x40 every 1 meter distance.



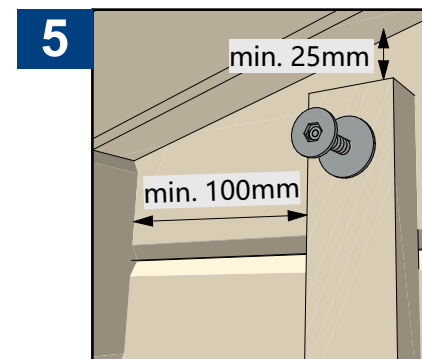
Notice that from the bottom is minimum 50mm distance between trims and storm brace beam, from side wall it should be minimum 100mm distance between wall and storm brace beam and between the roof and the top of storm brace beam distance should be minimum 25mm.



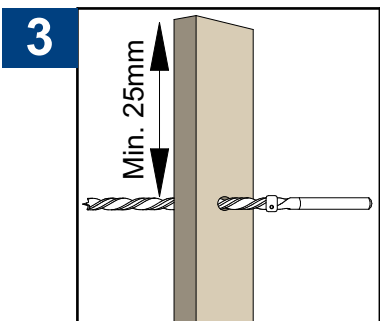
Install 1x screw 8x50+M10 washer at the bottom of the storm brace beam. Make sure screw fixed in the 1st full wall log beam.



After measures are made, cut the storm brace beam to the correct length.

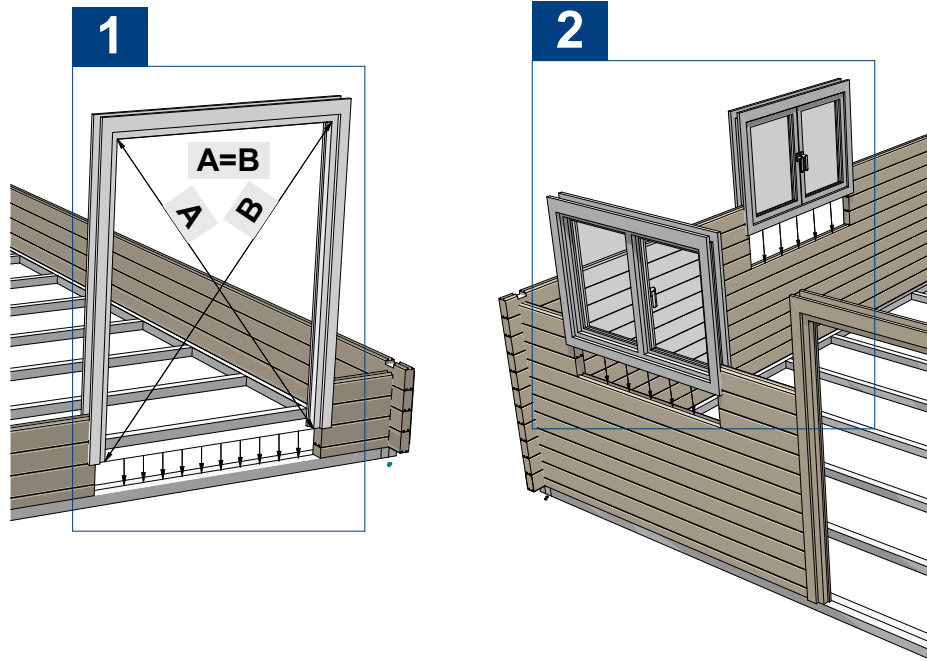


Install 1x screw 8x50+M10 washer at the top, it should be fixed on the 1st wall log of the gable.



At the bottom drill hole for screw, keeping minimum 25mm distance from the end of supporting beam.

! Attention: do not fasten storm bracers tight, because wall logs should be allowed to shrink or expand easily.



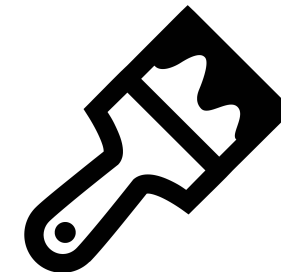
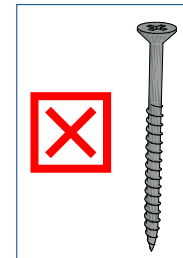
1. Place the door carefully (after the required quantity of wall logs is raised). Double check diagonal of door frame. If everything is correct, then door leafs can be installed;
2. Place windows the same as doors, but there is no need to mount off the leafs of the window.



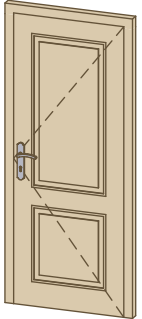
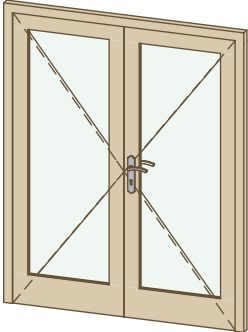
Option 2: there is a 2nd option for installing windows and doors. After the cabin is fully built, just mount off casing beams of windows and doors, place them in the correct opening and then mount on casing beams in previous places.



Attention: don't use any nails or screws for fixing windows/doors frame to the wall logs.



All wooden parts of windows/doors must be covered with waterproof paint immediately after assembly of the house from interior and exterior sides or will invalidate your guarantee.

44 Whinfell 2,99x5,99 S30948 Windows and doors list							
Type-quality	Barcode	Wall Thickness	W x H Size	Orientation	Glazing	Quantity	3D Axonometry
Door - Premium	P19885-4	44	850×1 980	R	Full wood, no threshold (internal)	1	
Door - Premium	PG198160-3	44	1 600×1 980	R	100%, double glazed, safety (toughened) glass	1	
Window - Premium plus	P+G117130	44	1 300×1 170		Double glazed, safety (toughened) glass	4	