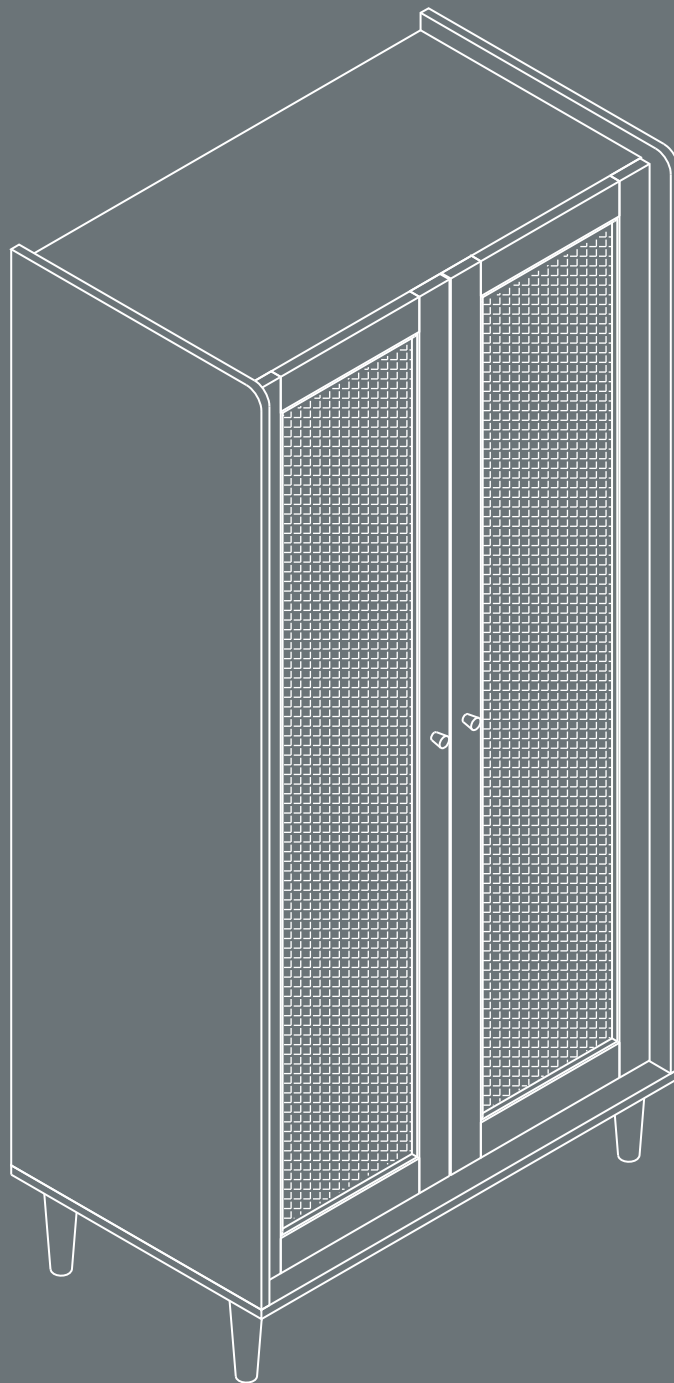


# Japandi Wardrobe



IMPORTANT:RETAIN FOR FUTURE REFERENCE.

READ CAREFULLY

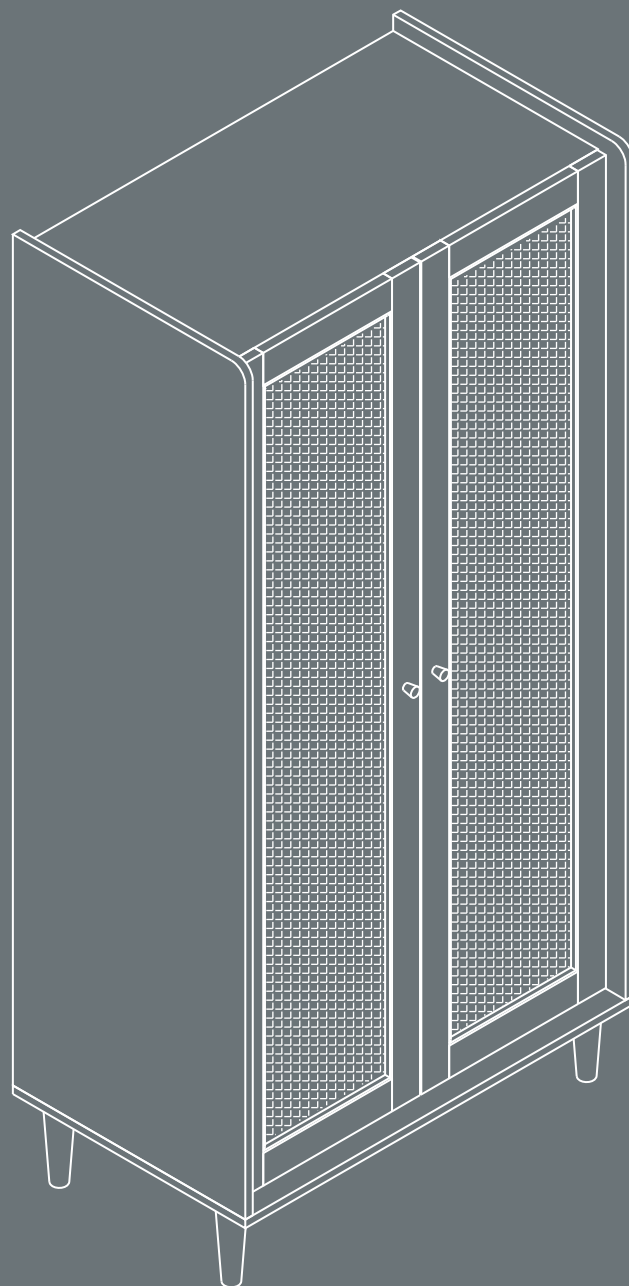
## Assembly Instructions

Conforms to BS EN 14749:2005  
Tutti Bambini. 1068 High Road, Whetstone, London, N20 0QP  
t: +44(0)208 368 5800  
e: support@tuttibambini.com  
www.tuttibambini.com

# Japandi

## Wardrobe

211390



IMPORTANT:RETAIN FOR FUTURE REFERENCE.  
READ CAREFULLY

# Hello,

## PLEASE READ THIS LEAFLET BEFORE ASSEMBLY

Dear Customer,

Thank you for buying Tutti Bambini furniture. Follow the instructions carefully and check that you have all the elements including the fittings before attempting assembly. If there are any missing or damaged parts, please inform us before you start the assembly. Please note that incorrect assembly of your furniture will not be a basis for a claim against the product being damaged.

In the unlikely event that your furniture is found to be faulty, we ask that you send an email to:

support@tuttibambini.com with the following information that can be found on the white label on the outside parcel.

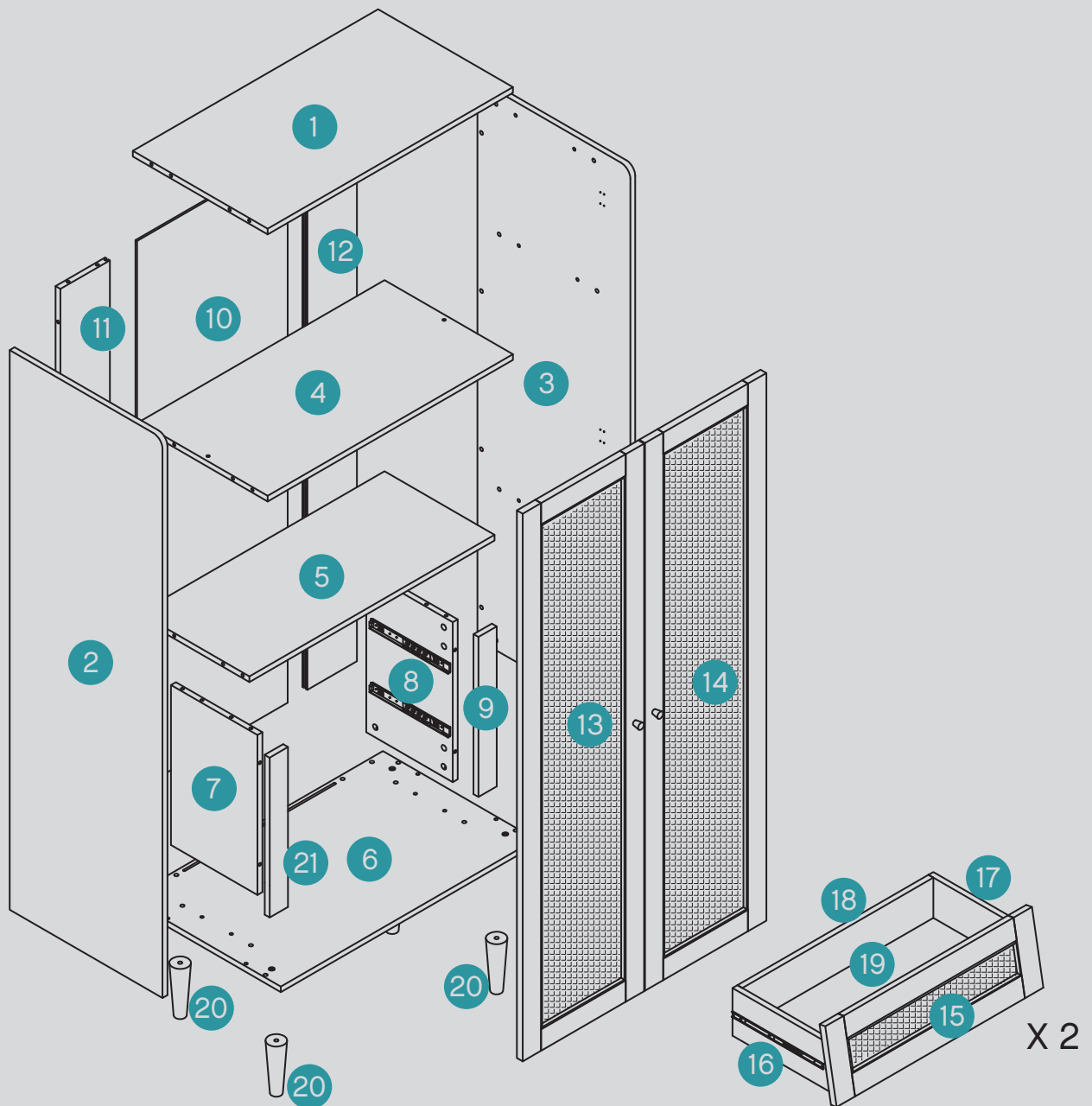
- Name
- Postcode
- Contact telephone number
- Sales order number (found on white label)
  - Product name & colour
  - Damaged part number
- A photo or video of the damaged part

Tutti Bambini guarantee your product against faulty manufacture for a period of 12 months from date of receipt of purchase. This does not affect your statutory rights
















*Team Tutti*



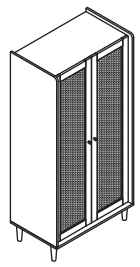
# Parts List



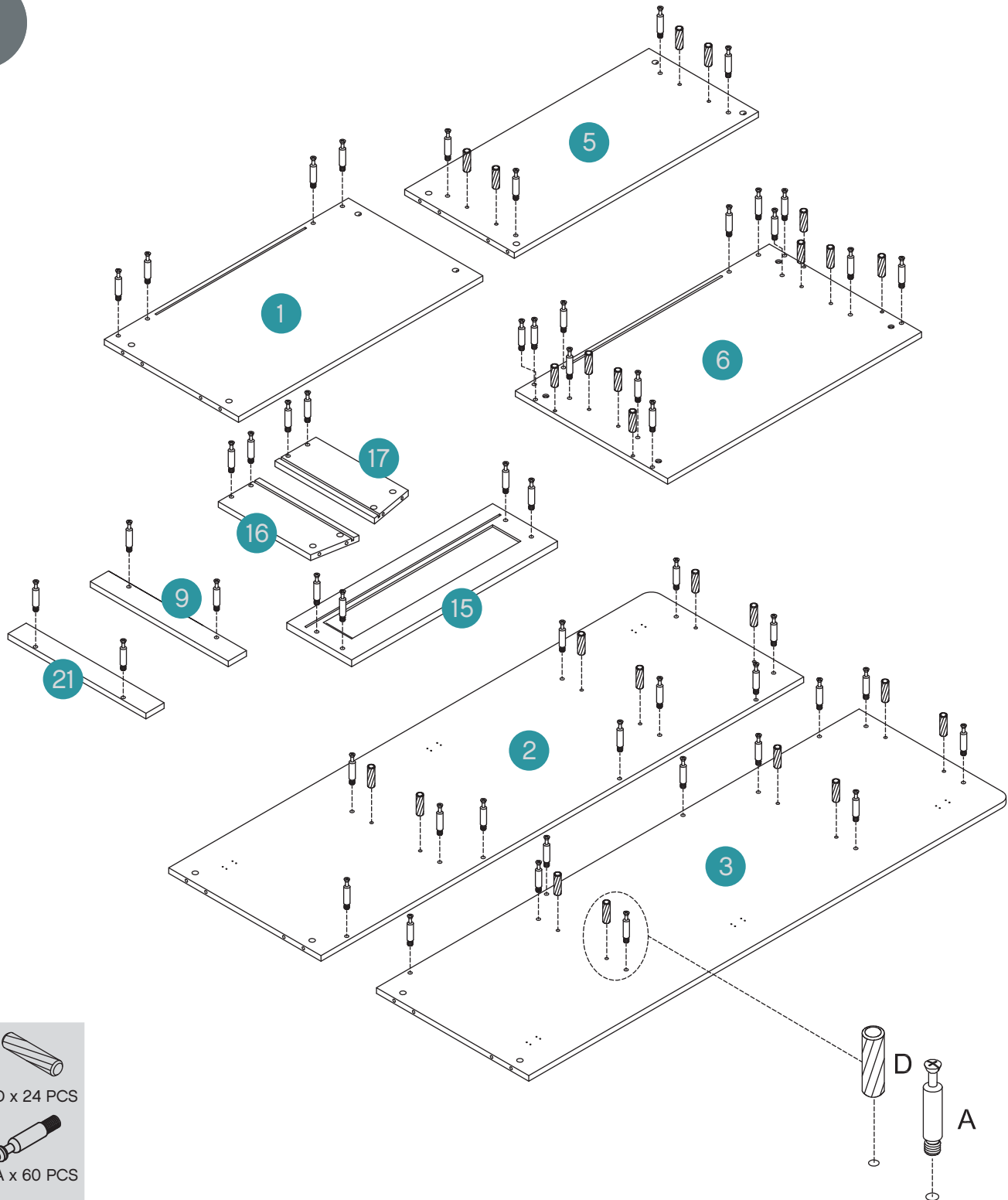
## Hardware List

ID# <b>A</b>	 1pc for replacement 6.5x40mm	Qty <b>61 pc</b>	ID# <b>F</b>	 Qty <b>6 pc</b>	ID# <b>K</b>	 Bolts M6x38mm	Qty <b>4 pc</b>	
ID# <b>B</b>	 1pc for replacement 15x11.5mm	Qty <b>61 pc</b>	ID# <b>G</b>	 4x16mm	Qty <b>1 pc</b>	ID# <b>L</b>	 Qty <b>1 pc</b>	
ID# <b>C</b>	 Corner support 15x10mm	Qty <b>8 pc</b>	ID# <b>H</b>	 10/6mm	Qty <b>2 pc</b>	ID# <b>M</b>	 Hanging rail ends	Qty <b>2 pc</b>
ID# <b>D</b>	 8x40mm	Qty <b>24 pc</b>	ID# <b>I</b>	 200x30mm	Qty <b>1 pc</b>	ID# <b>N</b>	 Bolts M6x24mm	Qty <b>2 pc</b>
ID# <b>E</b>	 Qty <b>2 pc</b>		ID# <b>J</b>	 3x14mm	Qty <b>8 pc</b>	ID# <b>O</b>	 LED hanging rail	Qty <b>1 pc</b>

# Assembling into wardrobe

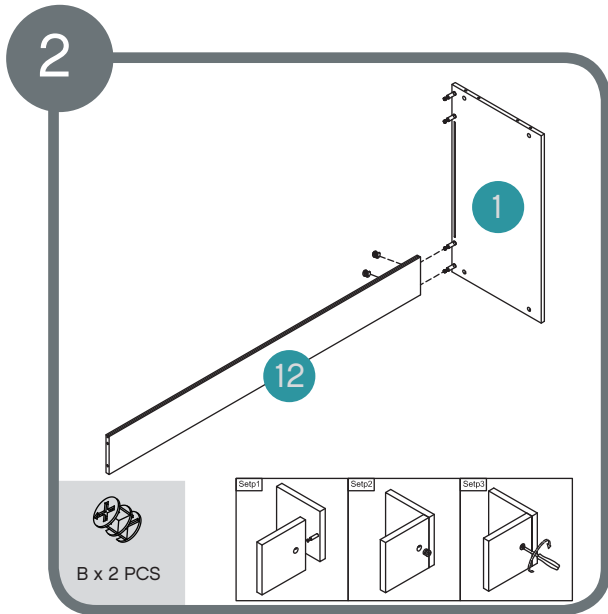
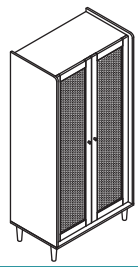


1

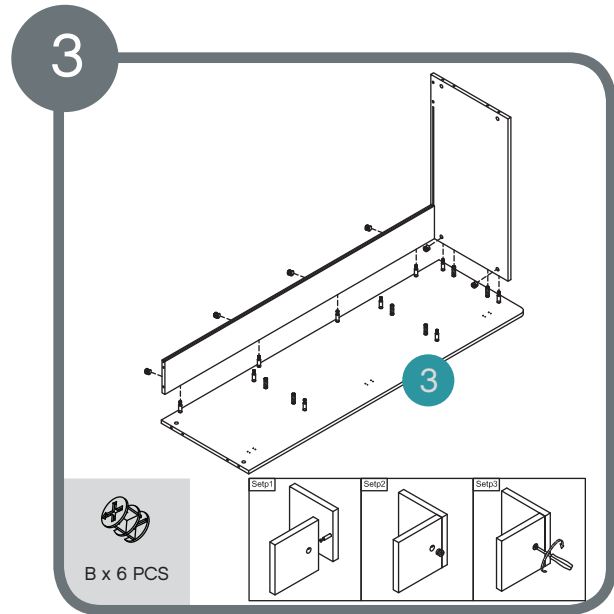


Assemble metal dowels A x 60.  
Assemble wooden dowels D x 24.

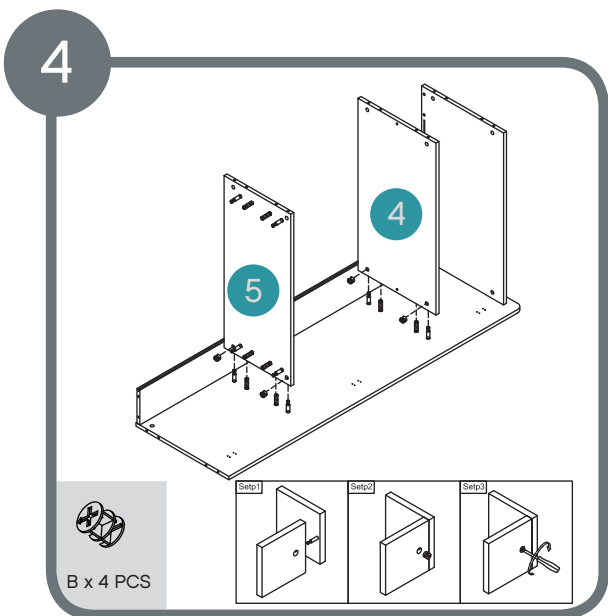
# Assembling into wardrobe



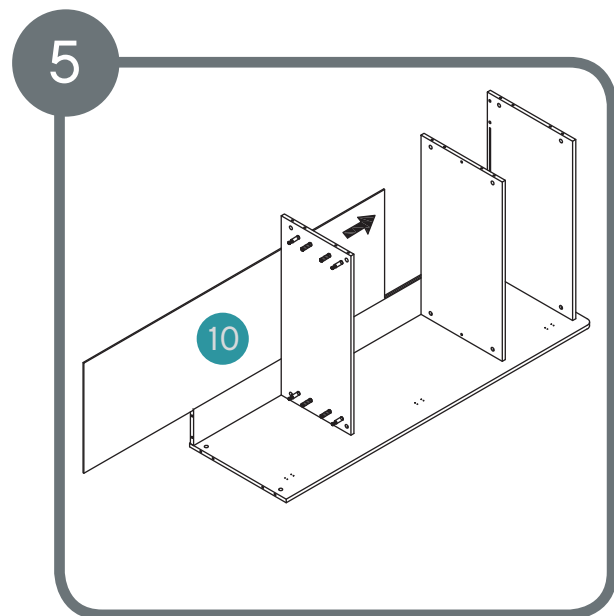
Assemble locking nuts 2 x B.



Assemble locking nuts 6 x B.

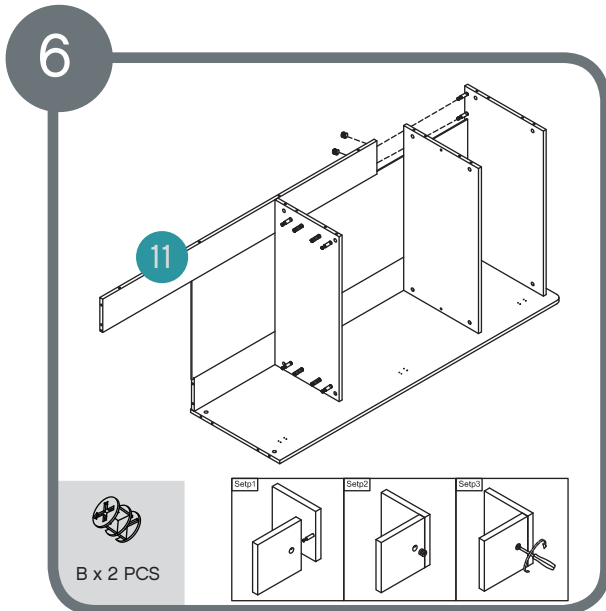
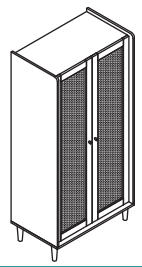


Assemble locking nuts 4 x B.

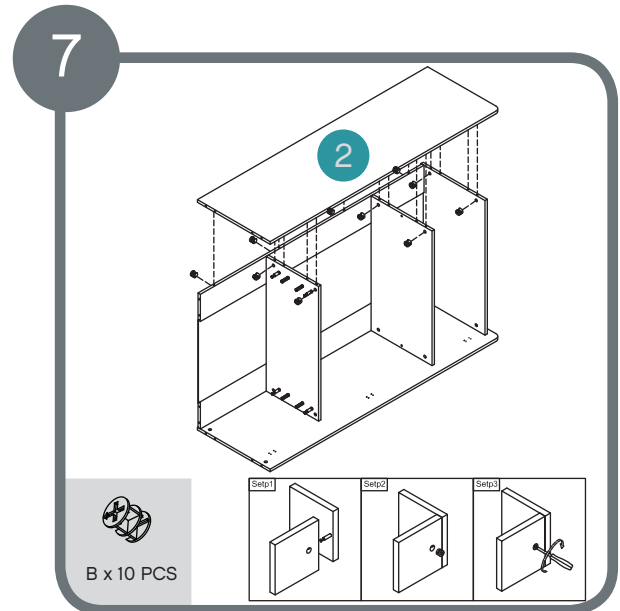


Assemble Back Panel.

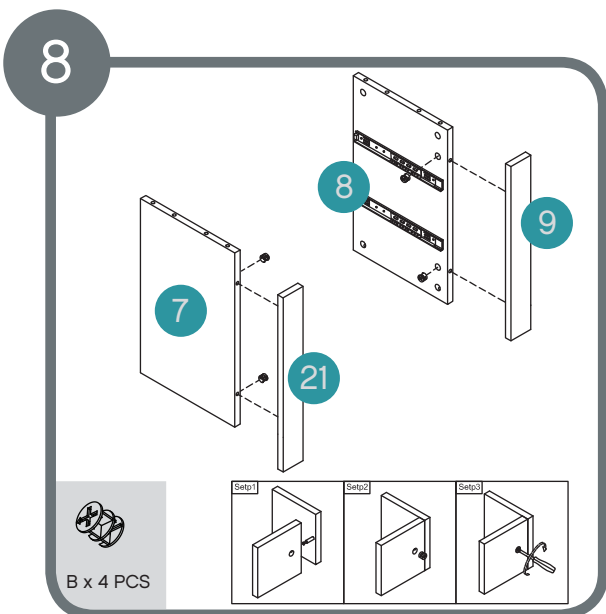
# Assembling into wardrobe



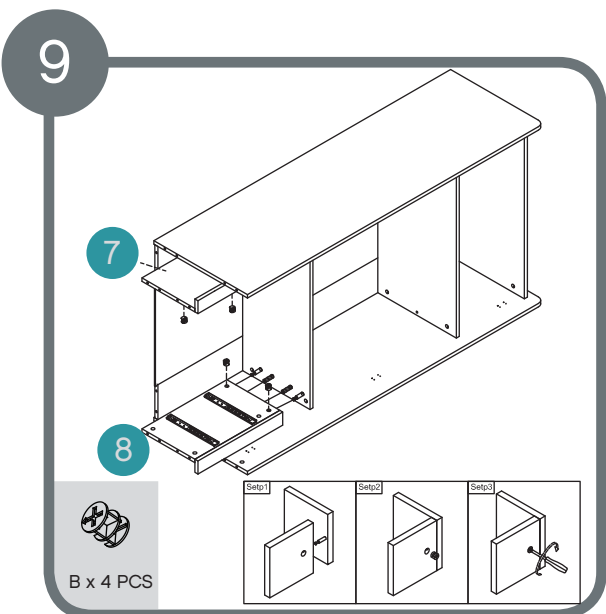
Assemble locking nuts 2 x B.



Assemble locking nuts 10 x B.

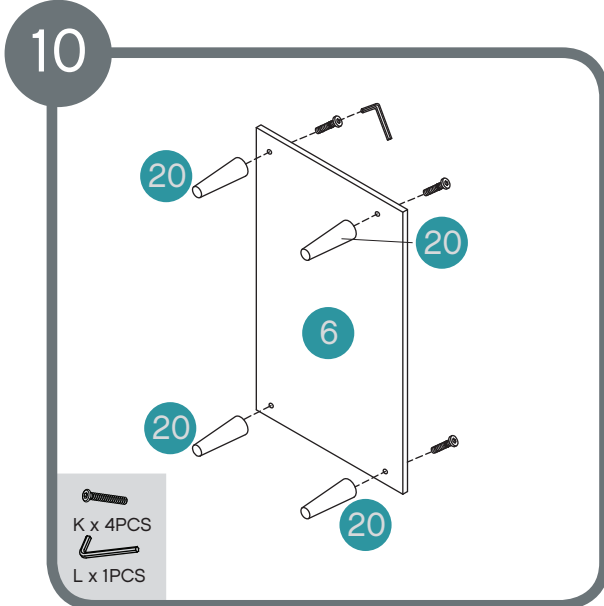
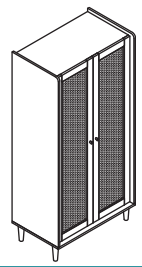


Assemble locking nuts 4 x B.

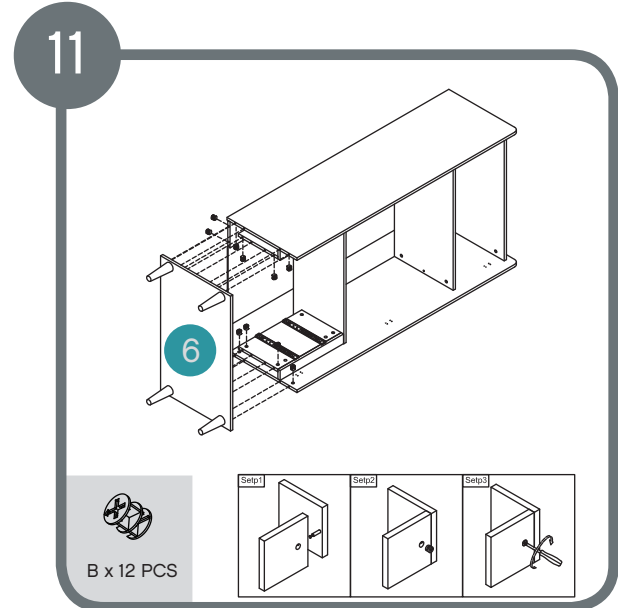


Assemble locking nuts 4 x B.

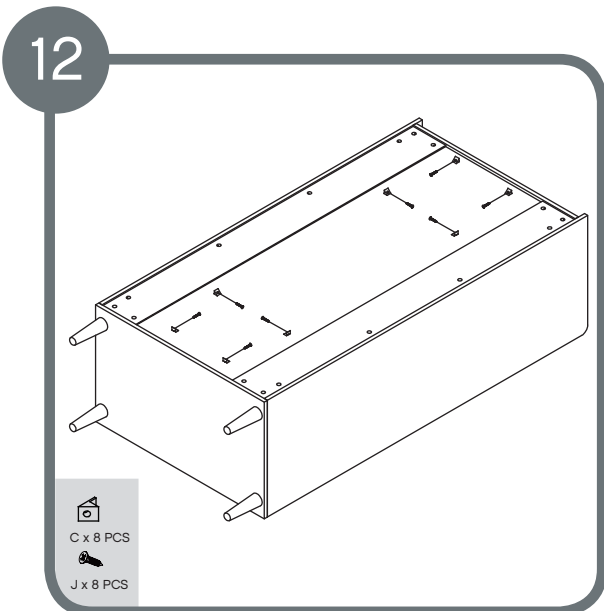
# Assembling into wardrobe



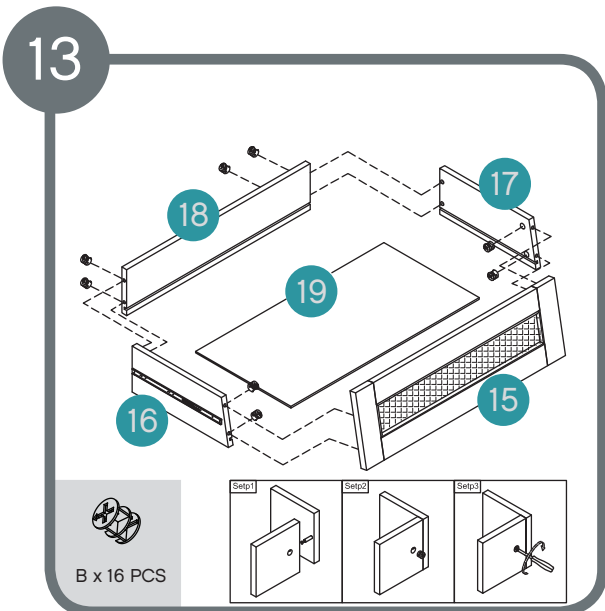
Assemble foot using 4 x K bolts



Assemble locking nuts 12 x B.



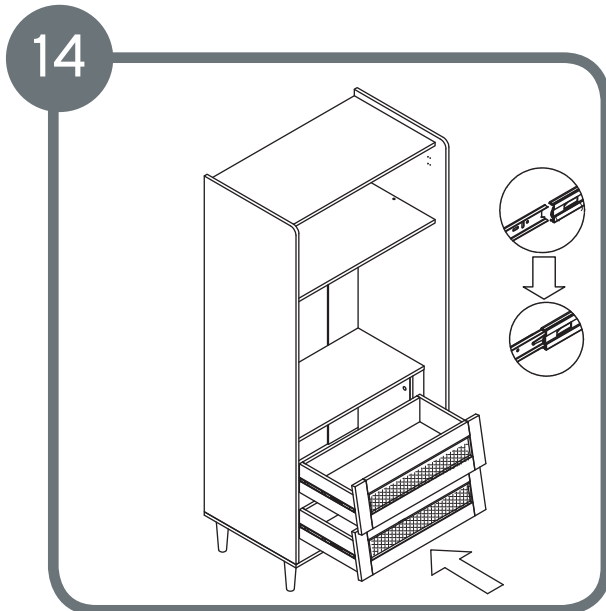
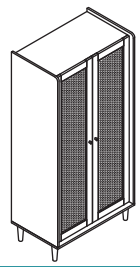
Assemble back panel buckle C x 8  
With two people, tilt wardrobe gently to upright position



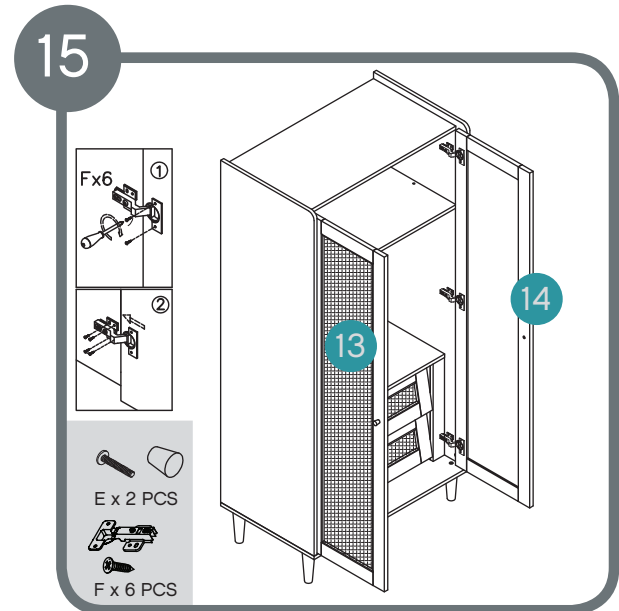
Assemble locking nuts 16 x B.



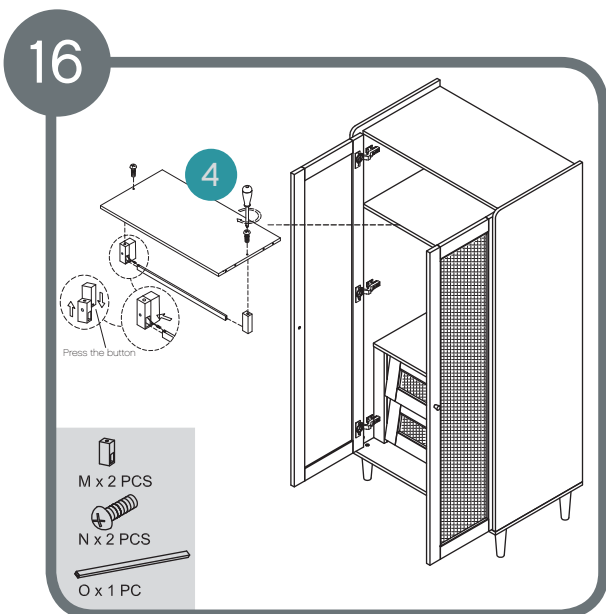
# Assembling into wardrobe



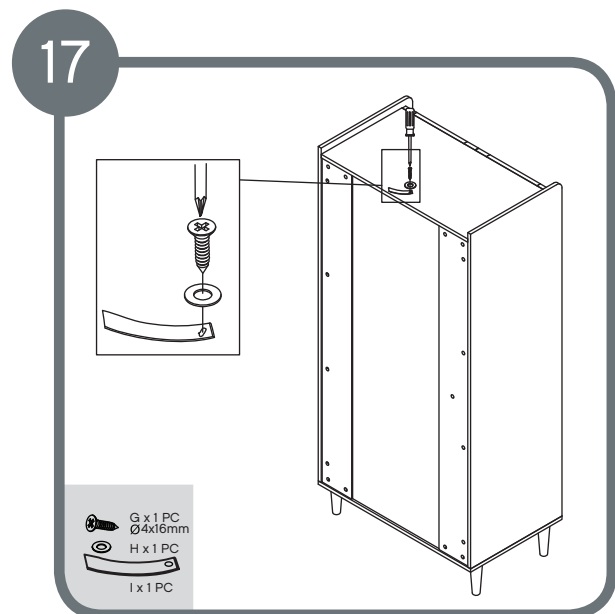
Assemble drawer



Assemble doors to side using door hinges 6 x F



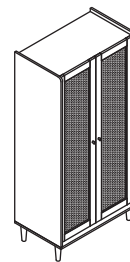
Assemble led hanging rail



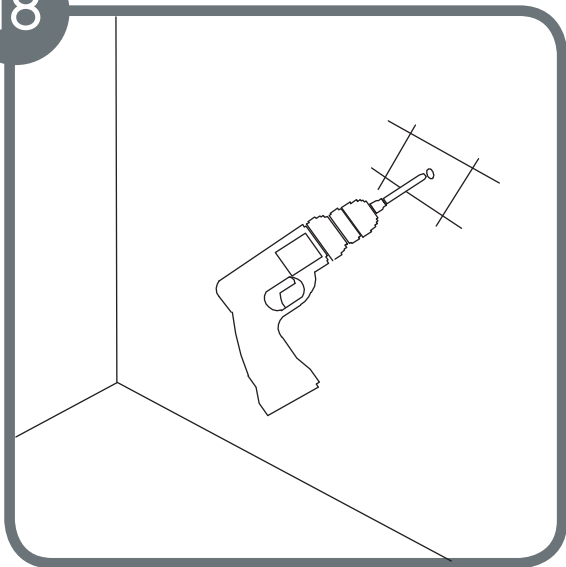
Assemble anti falling hardware G x 1, H x 1, I x 1,



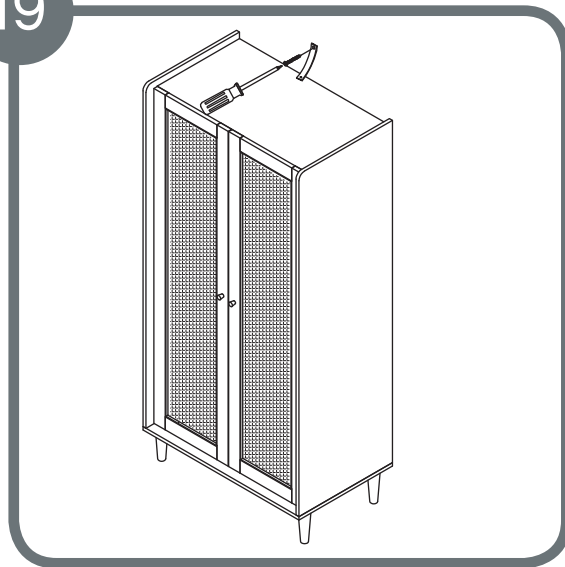
# Assembling into wardrobe



18



19



Fittings to attach the strap to the wall are not provided and suitable fittings for the wall type should be used.

**Caution:** The drawer is not provided with end stops that prevent it from being pulled out of the unit

# Safety advice and maintenance

## IMPORTANT! KEEP FOR FUTURE REFERENCE: READ CAREFULLY

1. WARNING: Never leave your child unattended. The safety of your child is your responsibility.
2. WARNING: Do not allow children to climb on or in the wardrobe..
3. WARNING: Make sure the wardrobe is situated on a clear firm and level surface.
4. WARNING: Do not use the wardrobe if it is damaged or broken or there are parts missing. Use only spare parts approved by Tutti Bambini.
5. WARNING: Do not place the wardrobe in or near the vicinity of open fires or other surfaces of strong heat, such as gas or electric fires.
6. The wardrobe can be cleaned with a clean damp cloth. Do not use aggressive cleaning agents such as bleach or strong detergents.
7. Check on a regular basis that all fittings and screws are correctly tightened and are not damaged. Loose screws can pinch parts of the body and clothing resulting in the risk of strangulation.
8. Do not twist or pivot the wardrobe, if the wardrobe is to be moved always lift with at least two people.
9. WARNING: In order to prevent overturning this product must be used with proper wall attachment devices.
10. Any additional or replacement parts are obtained from the Tutti Bambini or its distributor.

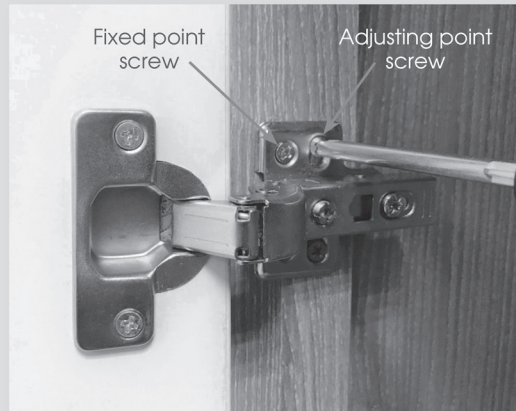
Product development dictates that components may occasionally differ from the ones shown in the diagrams of these instructions. The right to change the specifications and design of the furniture without prior notice remains with the manufacturer.

### **Guarantee**

All our products are produced from the finest quality materials and are manufactured under the strictest quality controls. We guarantee all our products or parts thereof against faulty manufacture for a period of one year from date of purchase. This guarantee is not effective against accidental damage or damage caused by incorrect use or neglect. This does not affect your statutory rights.



# HINGE ADJUSTMENT INSTRUCTIONS



## MOVING DOOR UP OR DOWN

Loosen top and bottom adjusting point screw on all hinges, push hinge up or down depending on door alignment then tighten screws and add fixed point screws.



## MOVE DOOR LEFT TO RIGHT

Turn adjusting screw clockwise to move door to the right. Turn screw anticlockwise to move door to the left.



## MOVING DOOR IN OR OUT

Loosen screw on all hinges, move door to desired point, then tighten all screws.

[www.tuttibambini.com](http://www.tuttibambini.com)

Follow us    

**TUTTI**  
bambini 

# Notes

---

---

---

---

---

---

---

---

---

---

---

---

---

---

---

---

---

---

---

---

---

---

---

---

---

---

# Join Us



Follow us on Facebook  
TuttiBambiniUK



Follow us on Twitter  
TuttiBambiniUK



Follow us on Instagram  
TuttiBambiniUK



[www.tuttibambini.com](http://www.tuttibambini.com)