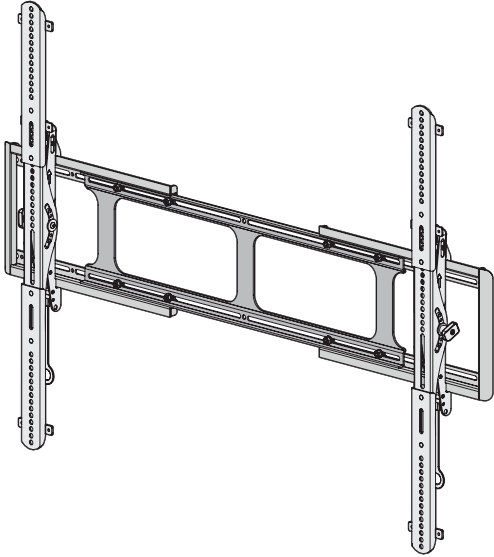


SANUS



VXT7-B2
INSTRUCTION MANUAL

**GET IT
RIGHT
THE FIRST TIME**

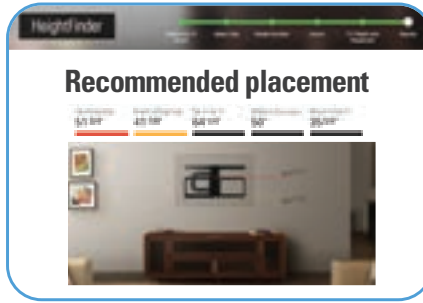
**Follow this step-by-step
instruction manual to
speed up your installation.**

WE'RE HERE TO HELP



Want to watch a video that shows how easy this DIY project will be?

Watch it now at:
[SANUS.com/2817](https://www.sanus.com/2817)



Get it right the first time. HeightFinder™ shows you where to drill.

Check it out at:
[SANUS.com/2567](https://www.sanus.com/2567)



Our install experts are standing by to help.

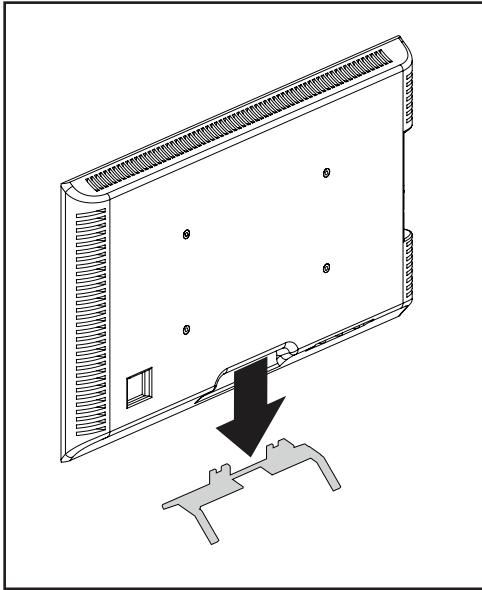


Call us at:
US: 800-359-5520
EMEA: +31 (0) 495 580 852
UK: 0800 056 2853
AUS: +61 (0) 7 3299 7000

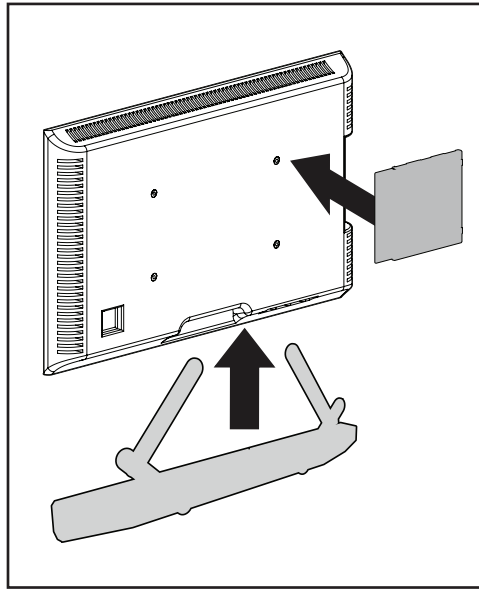
Milestone AV Technologies and its affiliated corporations and subsidiaries (collectively, "Milestone"), intend to make this manual accurate and complete. However, Milestone makes no claim that the information contained herein covers all details, conditions, or variations. Nor does it provide for every possible contingency in connection with the installation or use of this product. The information contained in this document is subject to change without notice or obligation of any kind. Milestone makes no representation of warranty, expressed or implied, regarding the information contained herein. Milestone assumes no responsibility for accuracy, completeness or sufficiency of the information contained in this document.

Before you begin

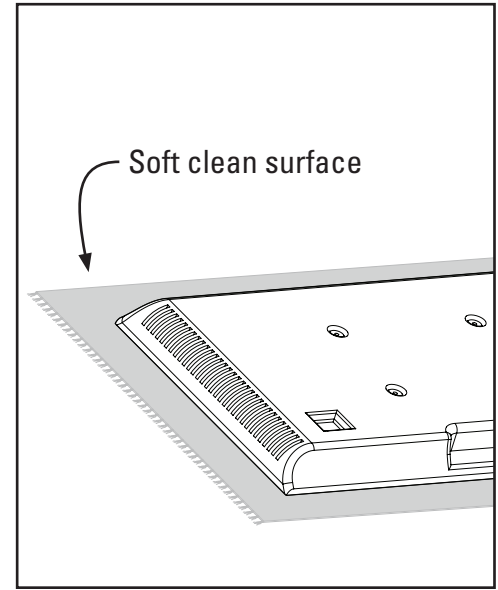
Remove the stand from your TV
— if attached.



Install any accessories
you may have purchased — if they
require the TV to be removed from the
wall for assembly. The TV is removable
for future accessory purchases.



Protect the face of your TV
when laying it down for installation.



IMPORTANT SAFETY INSTRUCTIONS – PLEASE READ MANUAL PRIOR TO USE – SAVE THESE INSTRUCTIONS

Please read through these instructions completely to be sure you're comfortable with this easy install process.

Check your TV owner's manual to see if there are any special requirements for mounting your TV.

If you do not understand these instructions or have doubts about the safety of the installation, assembly or use of this product, contact Customer Service: [US]: 800-359-5520 [EMEA]: +31 (0) 495 580 852 [UK]: 0800 056 2853 [AUS]: +61 (0) 7 3299 7000.

⚠ CAUTION: Avoid potential personal injuries and property damage!

- This product is designed ONLY to be installed into wood studs, solid concrete or concrete block.
— **DO NOT INSTALL INTO DRYWALL ALONE — DRYWALL ALONE WILL NOT HOLD THE WEIGHT OF YOUR TV.**
- This product is designed for **INDOOR USE ONLY**.
- The wall must be capable of supporting five times the weight of the TV and mount combined.
- Do not use this product for any purpose not explicitly specified by manufacturer.
- Manufacturer is not responsible for damage or injury caused by incorrect assembly or use.

TV Weight Limit
(including accessories)

DO NOT EXCEED



If your TV (including accessories) exceeds this weight, this mount is NOT compatible.

Visit SANUS.com or call customer service to find a compatible mount.

Wall Construction

ONLY install on these acceptable wall types.

?
Unsure

Call
Customer
Service

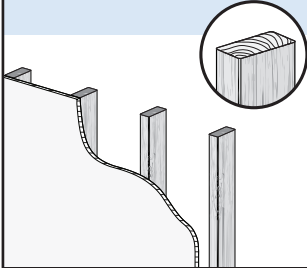
⚠ CAUTION:

DO NOT install in drywall alone

Drywall alone will NOT hold the weight of your TV.

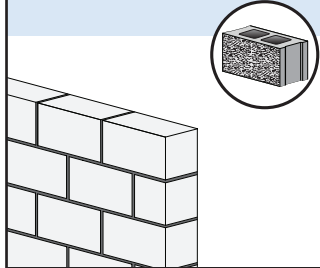


wood studs







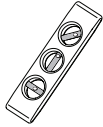
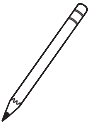

ACCEPTABLE

Solid concrete or concrete block






ACCEPTABLE

Tools Needed





Tape Measure Pencil Level Tape Screwdriver Electric Drill Socket Wrench (1/2 in. (13 mm))

Wood Stud Install



Stud Finder Awl 7/32 in. (5.5 mm) Wood Drill Bit

Concrete Install



3/8 in. (10 mm) Concrete Drill Bit Hammer

STEP 1

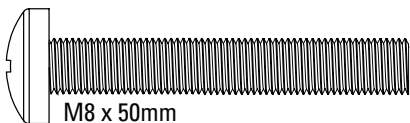
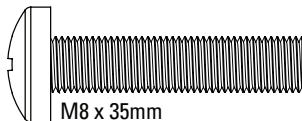
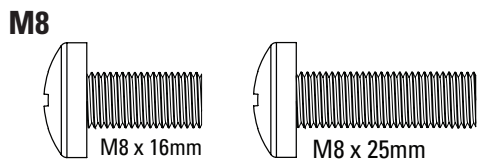
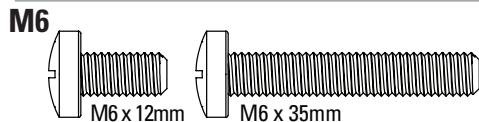
Attach TV Bracket to TV

⚠ WARNING: This product contains small items that could be a choking hazard if swallowed. Before starting assembly, verify all parts are included and undamaged. If any parts are missing or damaged, do not return the damaged item to your dealer; contact Customer Service. Never use damaged parts!

📄 NOTE: Not all hardware included will be used.

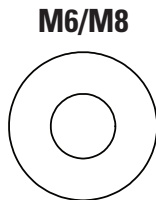
STEP 1 Parts and Hardware

01 **TV Screws** (qty. 4 each)
[Only one size fits your TV]



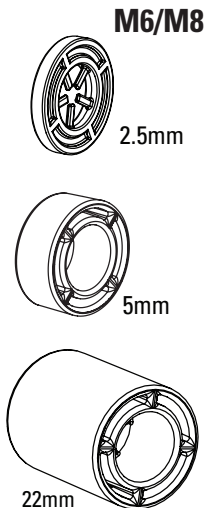
Washer
(qty. 4 each)

02

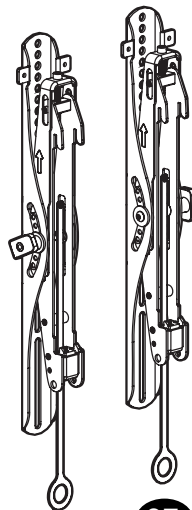


Spacers
[If necessary]
(qty. 4 each)

03



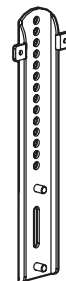
TV Brackets



04
(qty. 1)

05
(qty. 1)

TV Bracket Extension



06
(qty. 4)

Washer
07
(qty. 8)

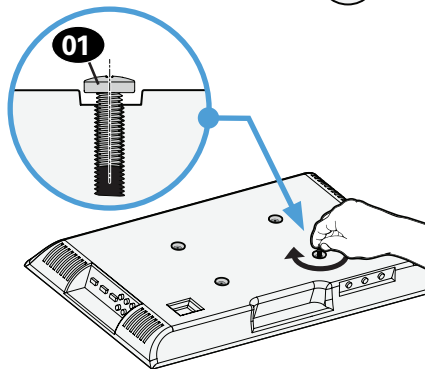
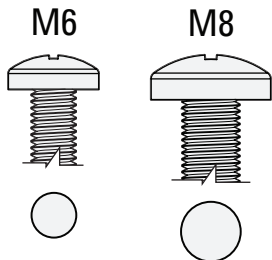



Nut
08
(qty. 8)

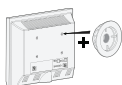


1.1 Select TV Screw Diameter

Only one screw size fits your TV.



 If your TV included inset spacers or wall mount adapters, see Troubleshooting on PAGE 22.

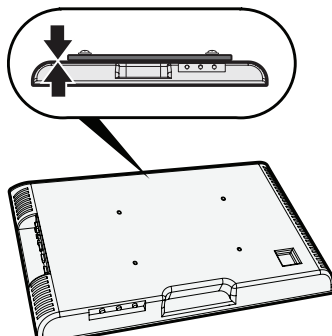


1.2 Select TV Screw Length and Spacers

A NO SPACER

- **Flat Back TV**
[TV brackets lay flat on your TV]

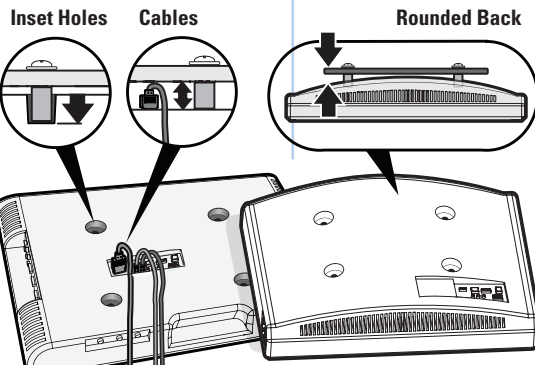
Use **short** TV screws **01**.
Spacers **03** not needed.



B SPACER NEEDED

- **Flat Back TV with Extra Space Needed**
[for deep inset holes or cable interference]
- **Rounded or Irregular Back TV**
[TV brackets NOT resting flat on your TV]

Use **long** TV screws **01** and spacers **03** to create extra space between the TV and TV bracket.



⚠ CAUTION: Verify adequate thread engagement with your screw **01**, washer **02**, spacer **03** combination AND TV bracket **04** / **05** / **06**.

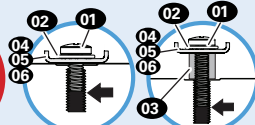
- Too short will not hold your TV.
- Too long will damage your TV.



Too Short



Too Long



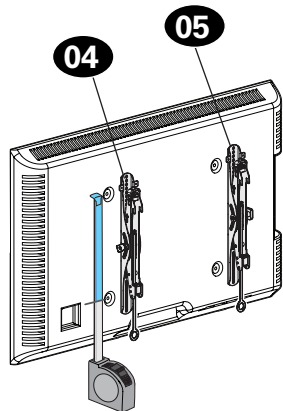
Correct

1.3 Determine Your TV Bracket Configuration

Measure the HEIGHT of your TV mounting hole pattern.

**For Height
400 mm or less**

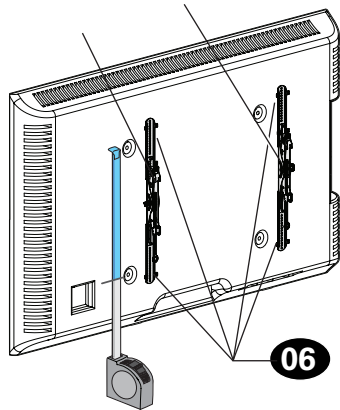
**Skip to STEP 1.4
on PAGE 9**



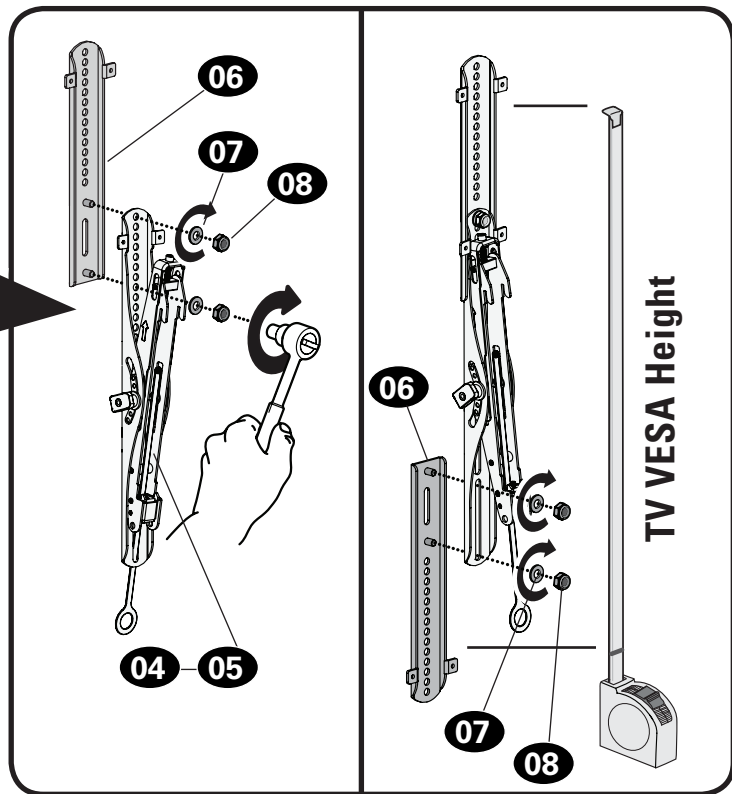
≤ 400 mm (15 3/4 in.)

**For height
greater than 400 mm**

Assemble TV bracket
extensions **06** to fit over
your TV VESA height.



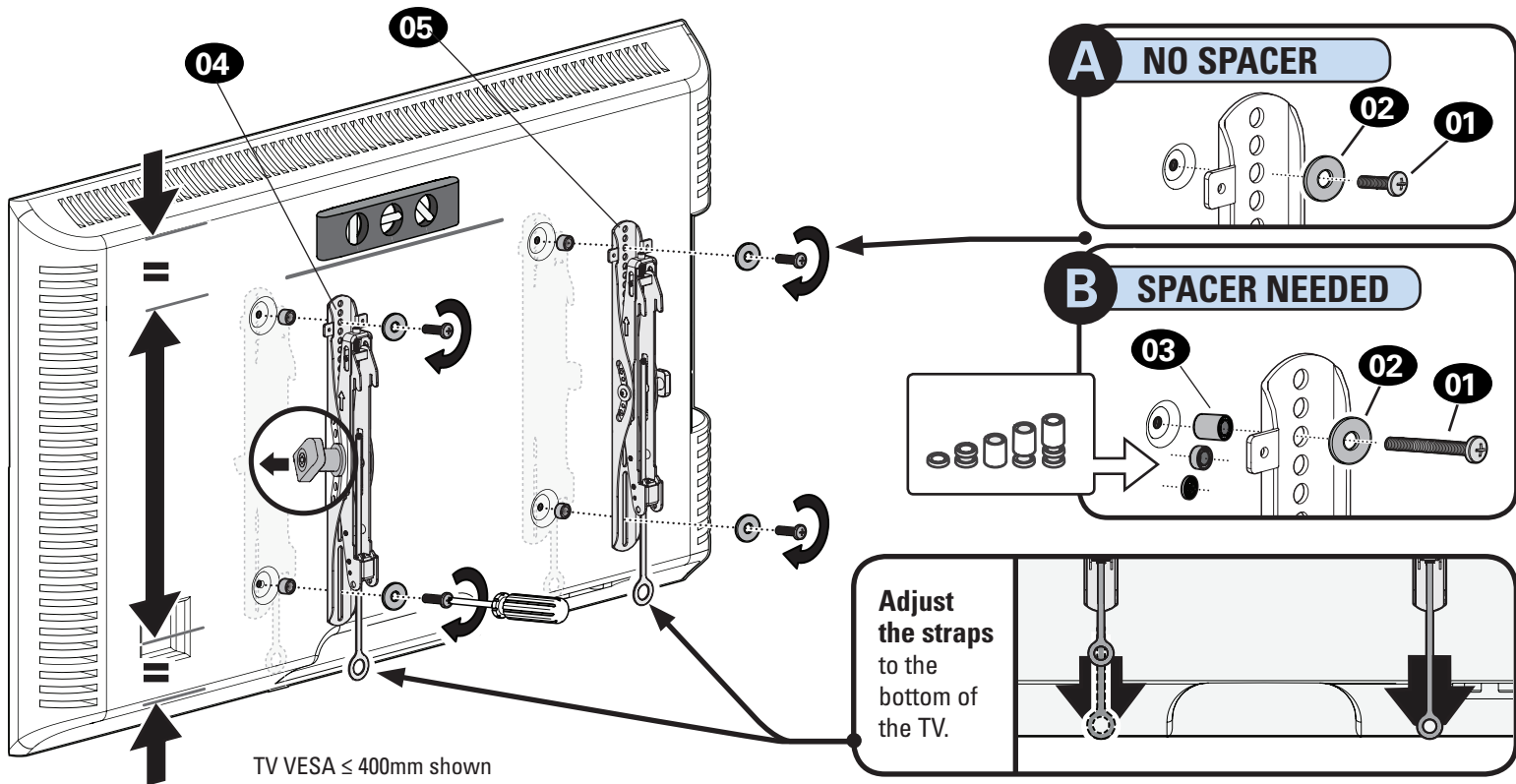
> 400 mm (15 3/4 in.)



TV VESA Height

1.4 Attach TV Brackets to Your TV

Center the TV brackets **04** and **05** on your TV hole pattern, and install using your screw/washer/spacer.



STEP 2

Attach Wall Plate to Wall

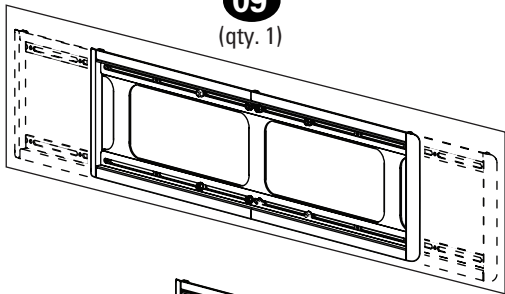
⚠ WARNING: This product contains small items that could be a choking hazard if swallowed. Before starting assembly, verify all parts are included and undamaged. If any parts are missing or damaged, do not return the damaged item to your dealer; contact Customer Service. Never use damaged parts!

📄 NOTE: Not all hardware included will be used.

Parts and Hardware for STEP 2

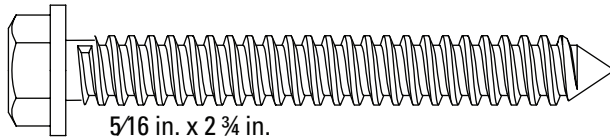
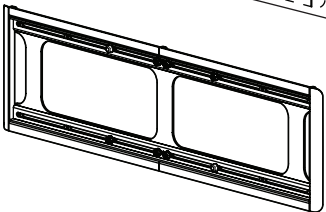
Wall Plate Template

09
(qty. 1)



Wall Plate

10
(qty. 1)



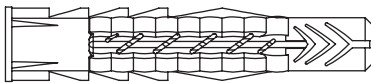
5/16 in. x 2 3/4 in.
Lag Bolt

11
(qty. 8)

For concrete installations ONLY

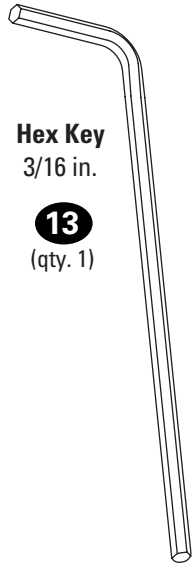
Concrete Anchor

12
(qty. 8)



UX10 x 60R

Tool for Adjustments



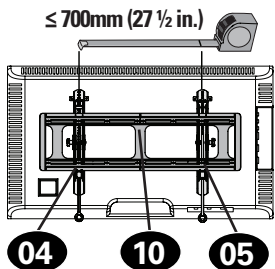
Hex Key
3/16 in.
13
(qty. 1)

Determine Your Wall Plate Configuration

Measure the distance between your TV brackets **04** / **05**.

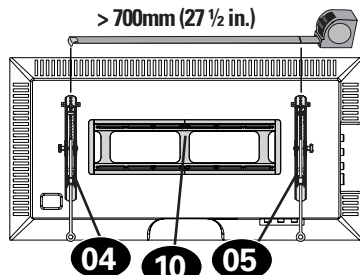
For TV brackets 700mm or less *

Skip to STEP:
2A (wood Stud) on PAGE 12
or **2B (concrete)** on PAGE 15



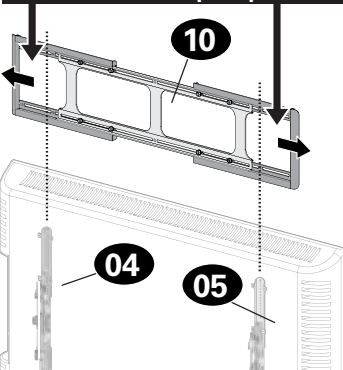
For TV brackets greater than 700mm

Extend the wall plate
to fit the TV brackets.

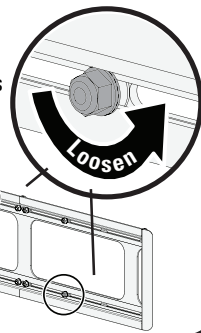


Extend your wall plate **10** beyond your TV brackets **04** / **05**, but not past your TV edges.

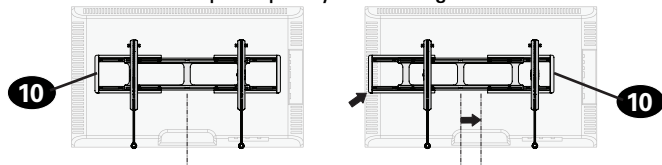
⚠ WARNING: Avoid potential personal injuries!
These areas could be pinch points when sliding back together.



NOTE:
If needed,
loosen the nuts
shown to help
slide open.



* **NOTE:** For Wood Stud Installations ONLY: You can extend the wall plate **10** to allow your TV to shift side-to-side. Be sure to not extend the wall plate past your TV edge.



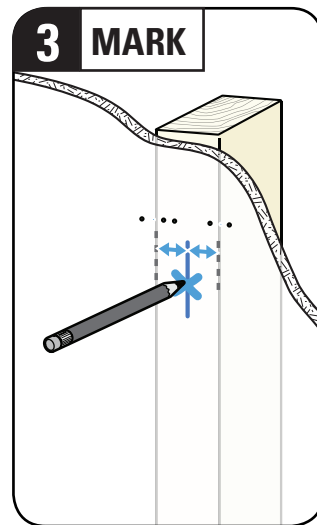
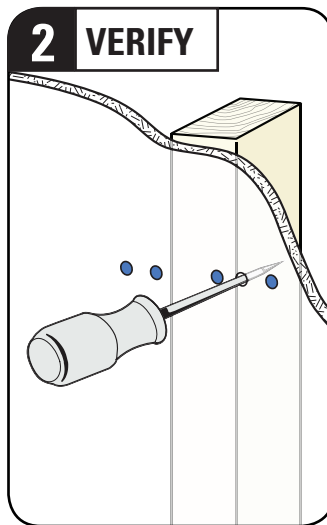
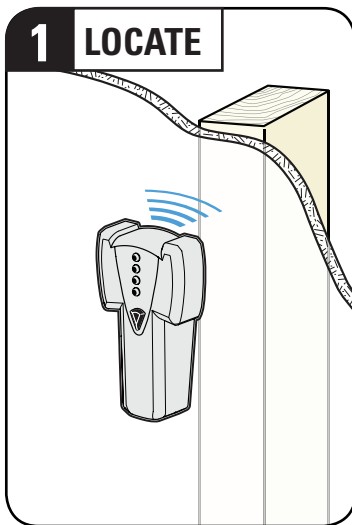
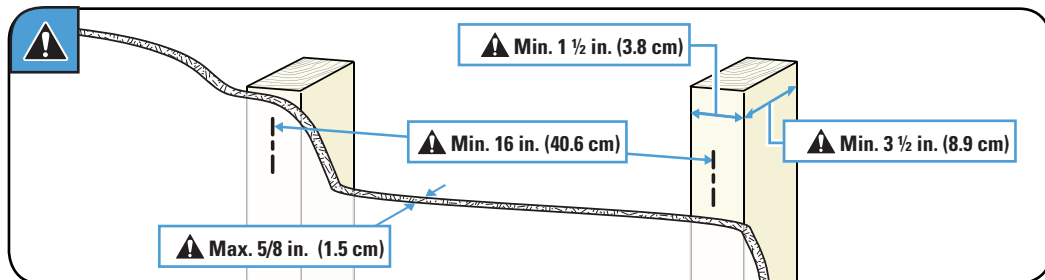
STEP 2A



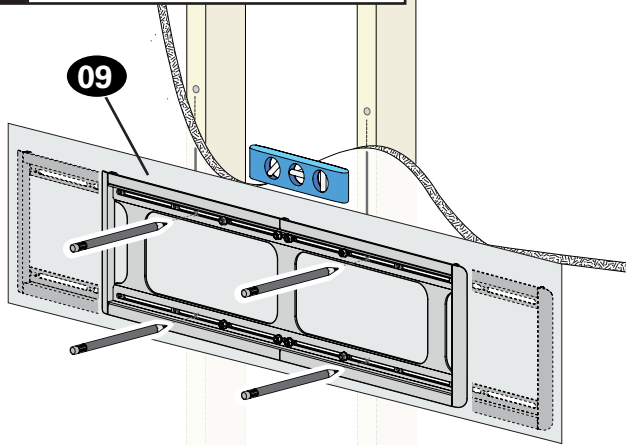
Wood Stud Installation

⚠ CAUTION: Avoid potential personal injury or property damage!

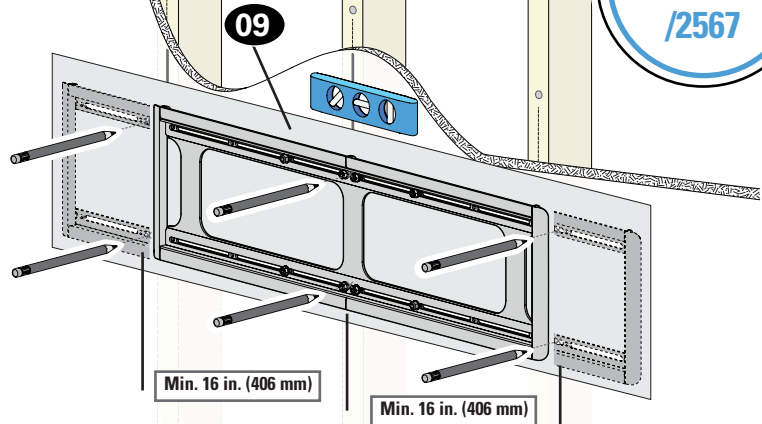
- Drywall covering the wall must not exceed 5/8 in. (1.5 cm)
- Minimum wood stud size: common 2 x 4 in. (5.1 x 10.2 cm) nominal 1 1/2 x 3 1/2 in. (3.8 x 8.9 cm)
- Minimum horizontal space between fasteners: 16 in. (40.6 cm)
- Stud centers must be verified



4 POSITION TEMPLATE



Extended Wall Plate



Visit
HeightFinder™
sanus.com/2567

⚠ CAUTION: Avoid potential personal injuries and property damage!

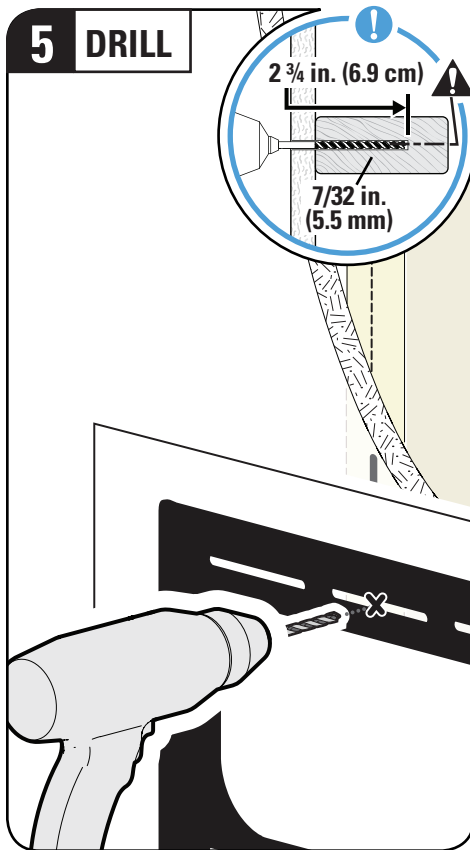
FOR EXTENDED WALL PLATES:

You MUST install 2 lag bolts **11** into the center (top and bottom) of wall plate **10**, then a minimum of 16 in. (406 mm) out from center, for a minimum of 6 lag bolts total.

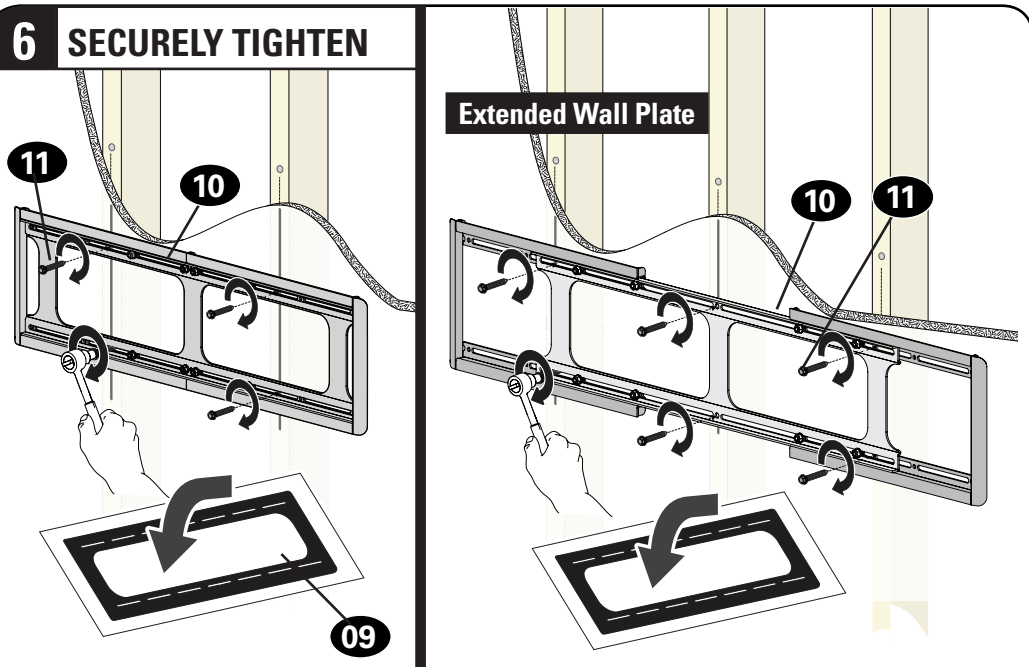


TIP: To calculate your precise wall plate **10** location, check out our HeightFinder at [sanus.com \[www.sanus.com/2567\]](http://sanus.com/2567).

5 DRILL



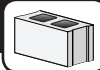
6 SECURELY TIGHTEN



⚠ CAUTION: Avoid potential personal injury or property damage!

All lag bolts **11** MUST BE firmly tightened to prevent unwanted movement of the wall plate **10**. Ensure the wall plate is securely fastened to the wall before continuing on to the next step.

Go to STEP 3 on PAGE 18.

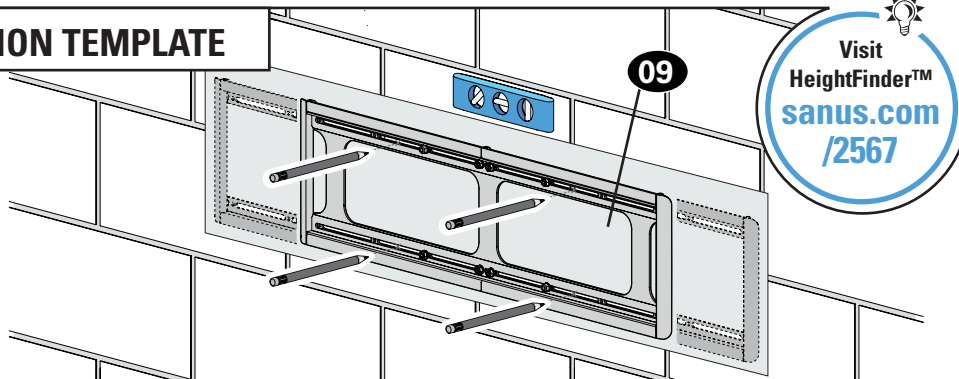


⚠ CAUTION:

Avoid potential personal injury or property damage!

- Mount the wall plate **10** directly onto the concrete surface (no surface covering)
- Minimum **solid concrete** thickness: 8 in. (20.3 cm)
- Minimum **concrete block** size: 8 x 8 x 16 in. (20.3 x 20.3 x 40.6 cm)
- Minimum horizontal space between fasteners: 16 in. (40.6 cm)
- **For concrete applications**, TV brackets **04** and **05** must remain centered in wall plate **10**. Keep this in mind when selecting the wall plate location

1 POSITION TEMPLATE

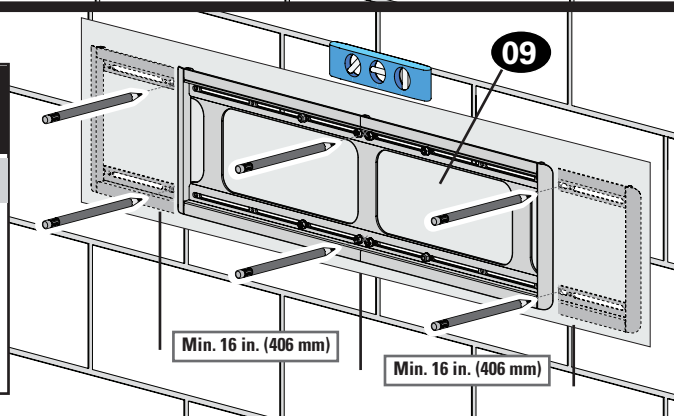


Visit
HeightFinder™
sanus.com/2567

⚠ CAUTION: Avoid potential personal injuries and property damage!

FOR EXTENDED WALL PLATES:

You **MUST** install 2 lag bolts **11** into the center (top and bottom) of wall plate **10**, then a minimum of 16 in. (406 mm) out from center, for a minimum of 6 lag bolts total.



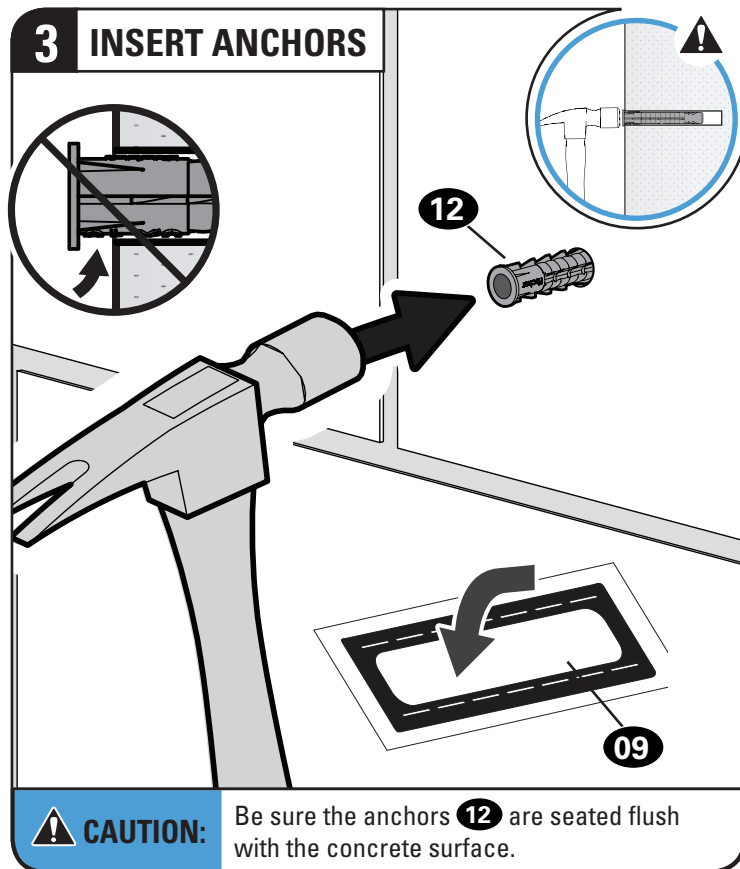
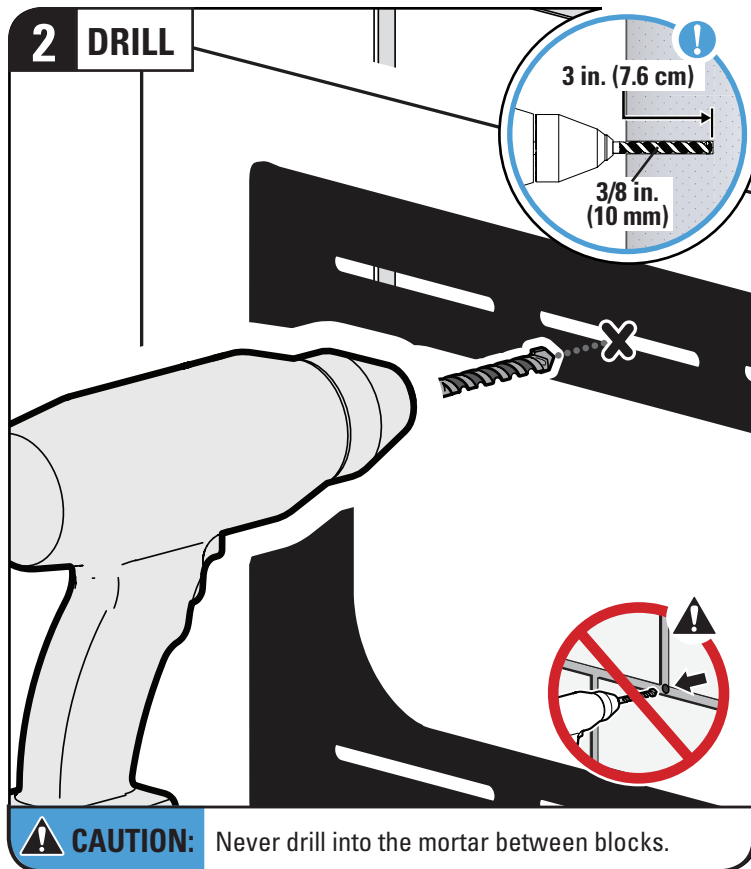
Min. 16 in. (406 mm)

Min. 16 in. (406 mm)

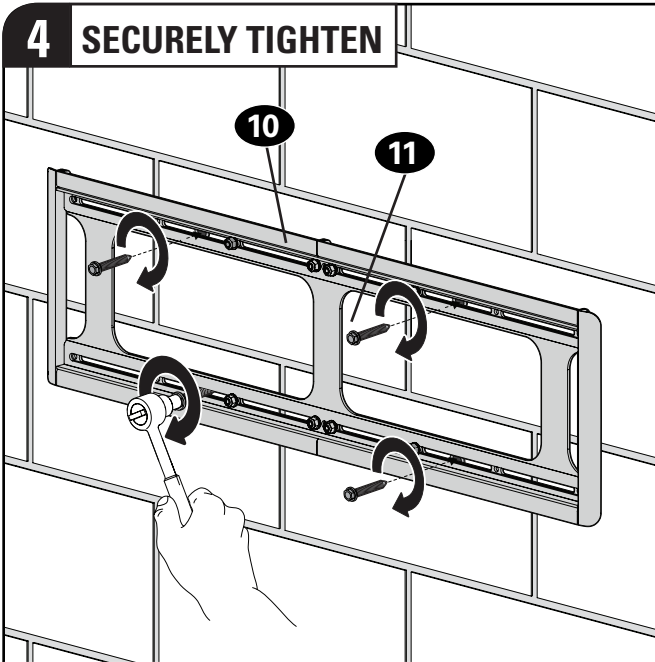


TIP:

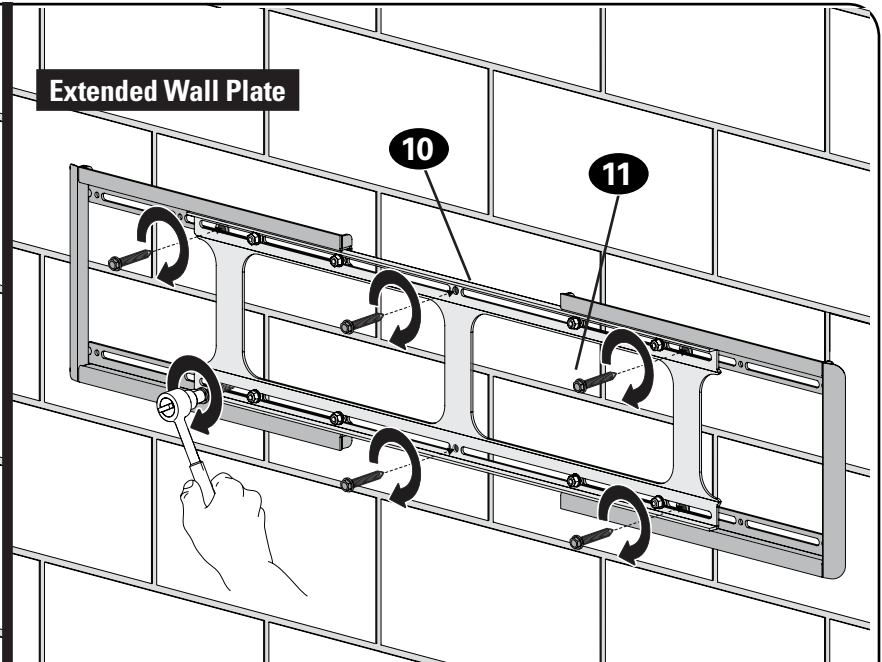
To calculate your precise wall plate **10** location, check out our HeightFinder at sanus.com [www.sanus.com/2567].



4 SECURELY TIGHTEN



Extended Wall Plate



⚠ CAUTION: Avoid potential personal injury or property damage!

All lag bolts **11** **MUST BE** firmly tightened to prevent unwanted movement of the wall plate **10**. Ensure the wall plate is securely fastened to the wall before continuing on to the next step.

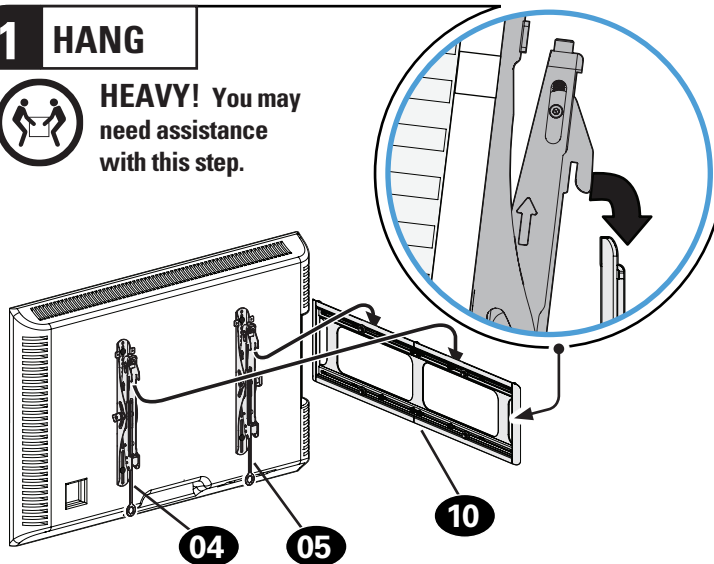
STEP 3

Attach TV to Wall Plate

1 HANG



HEAVY! You may need assistance with this step.



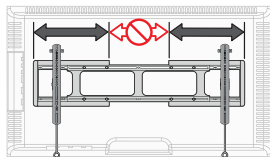
⚠ CAUTION: Avoid potential personal injury or property damage!

For **CONCRETE APPLICATIONS:**

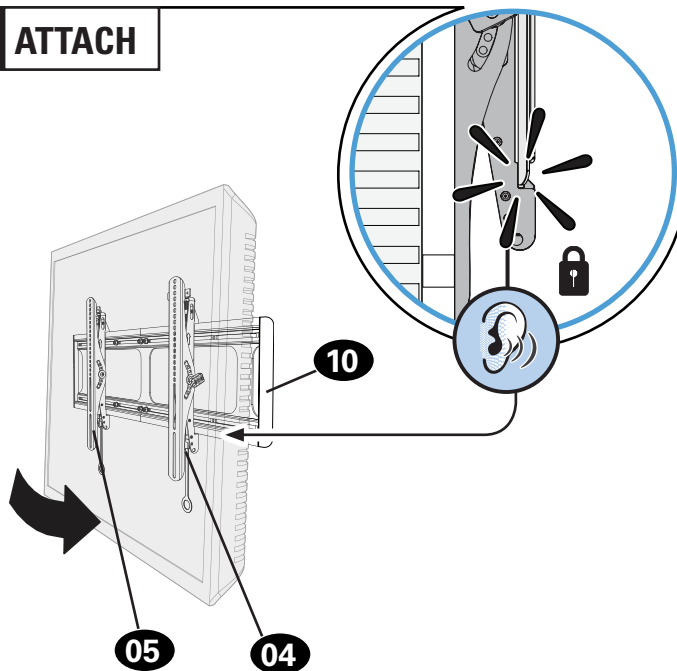
TV brackets **04** and **05** **MUST** remain centered in wall plate **10**.

For extended wall plates:

TV brackets **04** and **05** must only hang on the **OUTER** sections of wall plate **10**.



2 ATTACH



⚠ CAUTION: Avoid potential personal injury or property damage!

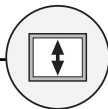
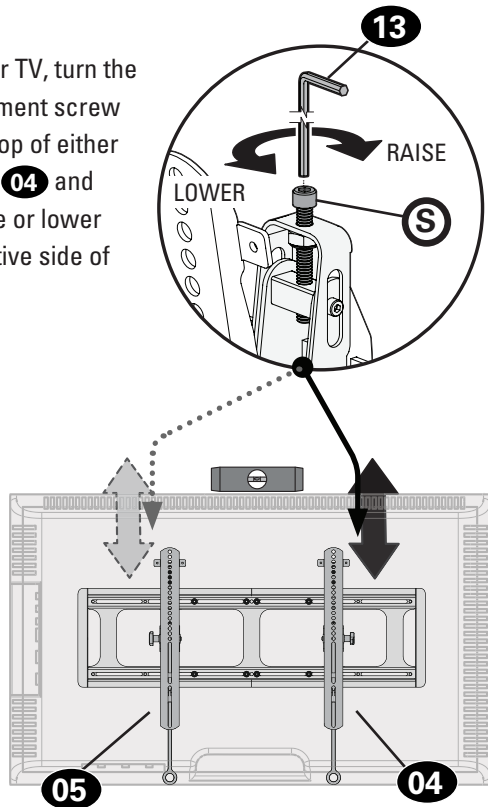
Always make sure TV brackets **04** and **05** are in the locked position so the TV is securely fastened to the wall plate **10**.

Adjustments



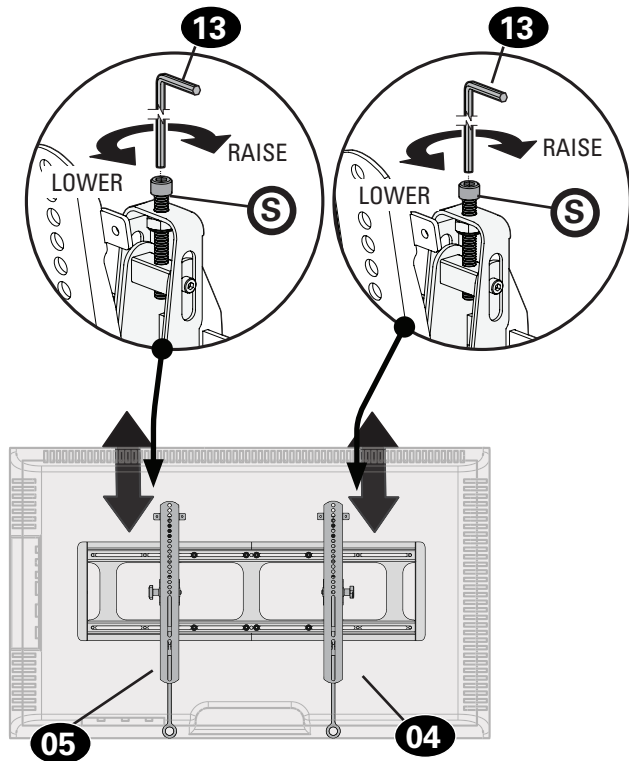
LEVEL

To level your TV, turn the level adjustment screw **(S)** on the top of either TV bracket **(04)** and **(05)** to raise or lower that respective side of the TV.



HEIGHT

Adjust the height by turning the level adjustment screw **(S)** on the top of both TV brackets **(04)** and **(05)**.



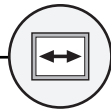
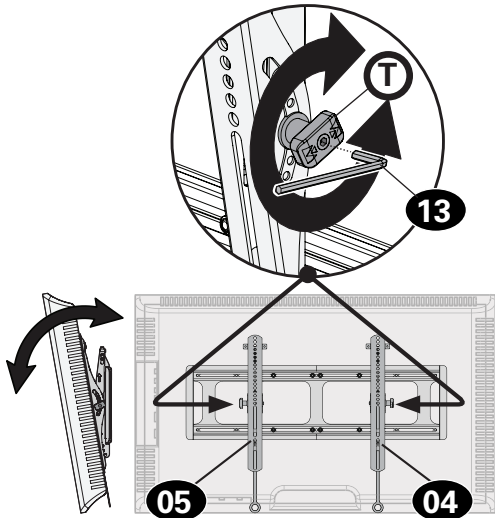


TILT

Your TV should adjust easily when moved, then stay in place.

Adjust the tilt tension knob **(T)** if your TV naturally tilts up or down.

NOTE: If you do not intend to adjust the tilt for different viewing locations, you can tighten the tilt tension knobs **(T)** to prevent unwanted movement.



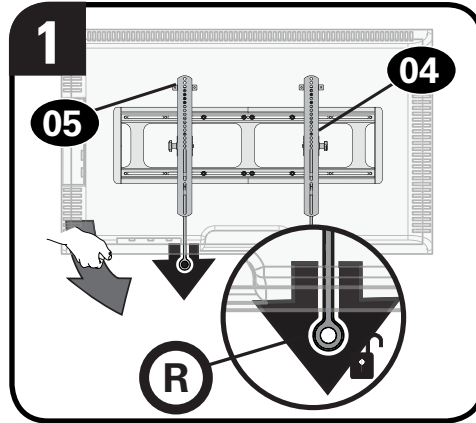
TV LATERAL SHIFT



CAUTION: Avoid potential personal injury or property damage!

For **CONCRETE APPLICATIONS:**

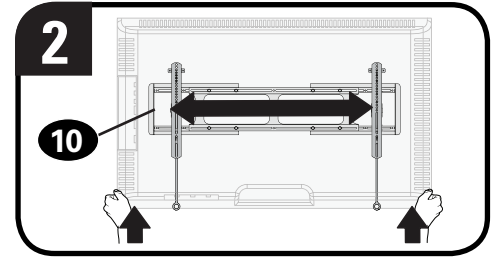
TV brackets **04** and **05** **MUST** remain centered in wall plate **10**.



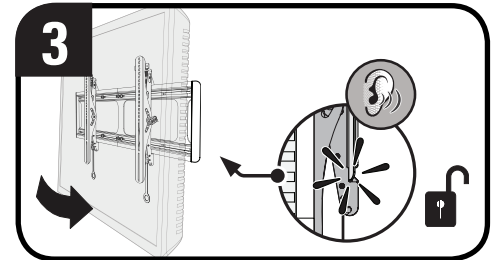
To unlock your TV: Pull down AND HOLD both release tabs **(R)** while gently pulling the bottom of the TV away from the wall.

CAUTION: Avoid potential personal injury or property damage!

To prevent breaking the locking latch: always pull and hold release tabs **(R)** down while pulling the TV away from the wall.



Lift your TV up then carefully reposition on the wall plate. The wall plate **10** has stops to limit lateral movement.



Press the bottom of your TV into the wall plate **10** until you hear the lock click, securing the TV in place.



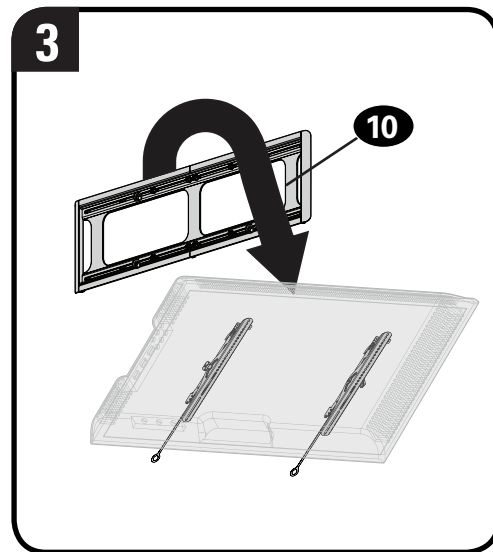
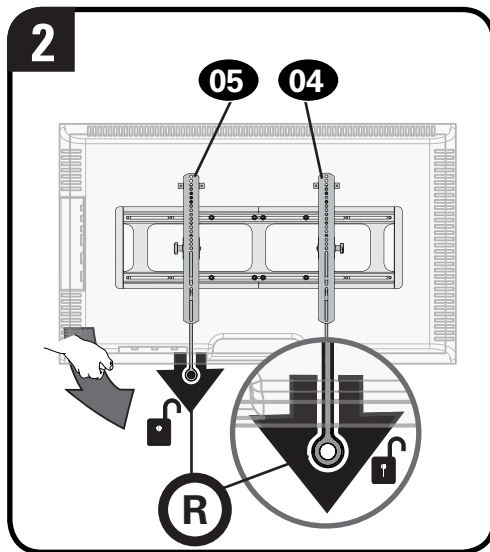
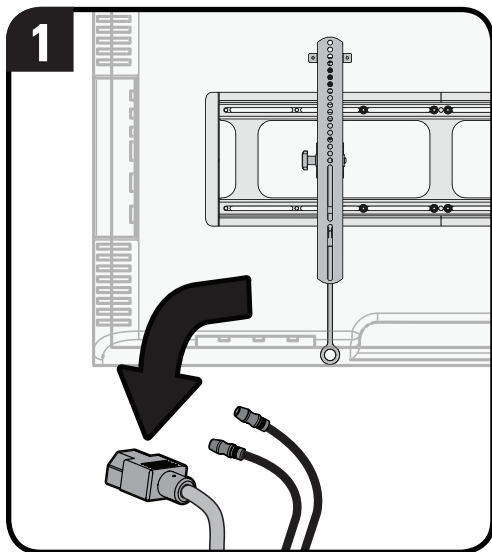
REMOVING THE TV



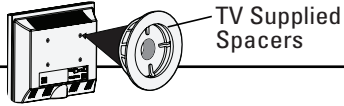
⚠ CAUTION: Avoid potential personal injury or property damage!

To prevent breaking the locking latch: always pull and hold release tabs **(R)** down while pulling the TV away from the wall.

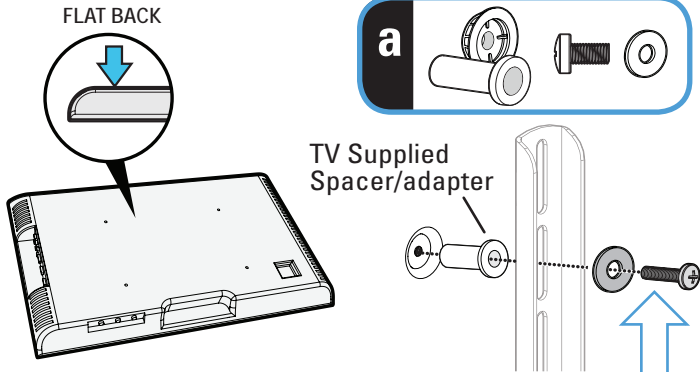
📄 NOTE: To rehang the TV, follow the procedures in STEP 3 on PAGE 18.



TV supplied spacers

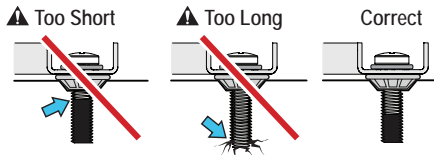


a: Use your TV supplied spacer/adaptor for flat back TVs (AND you want your TV closer to the wall).



CAUTION: Avoid potential injury or property damage! Use the correct screw length for adequate thread engagement.

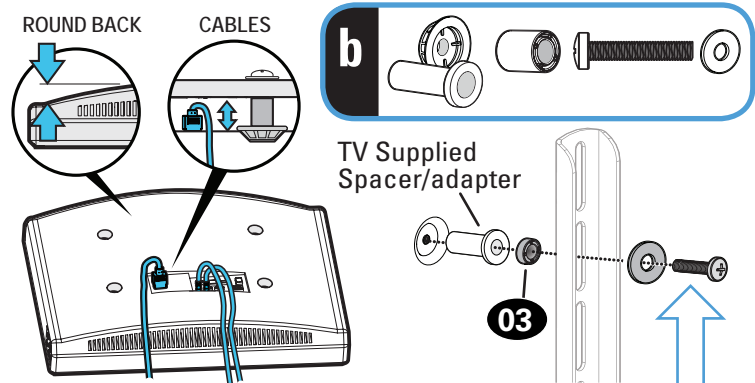
- Too short will not hold the TV.
- Too long will damage the TV.



If you are uncertain about your hardware selection, contact Customer Service.

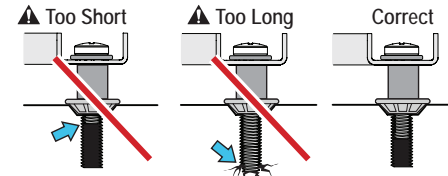
b: Use your TV supplied spacer/adaptor and spacer **03** for:

- Round (irregular) back TVs
- Extra space needed for cables



CAUTION: Avoid potential injury or property damage! Use the correct screw length for adequate thread engagement.

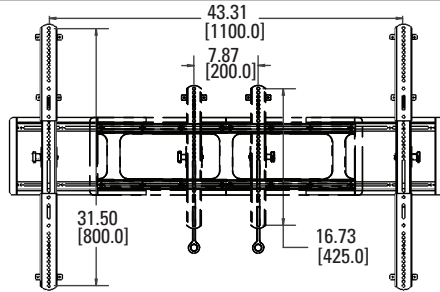
- Too short will not hold the TV.
- Too long will damage the TV.



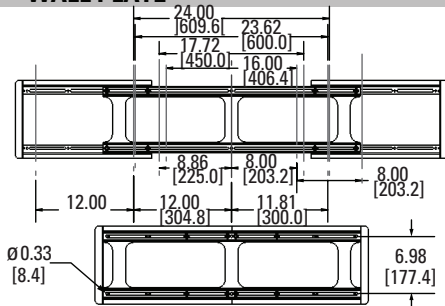
Dimensions

in. [mm]

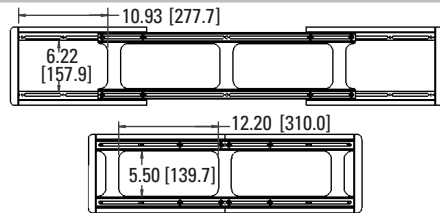
TV INTERFACE



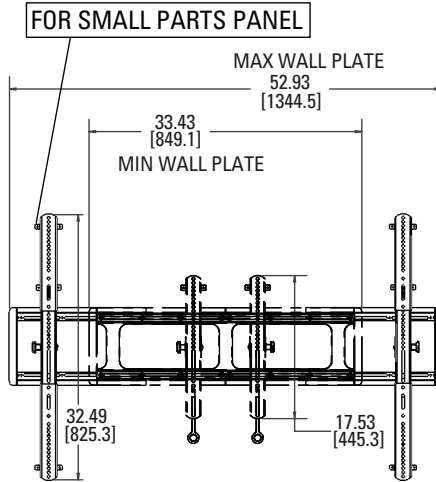
WALL PLATE



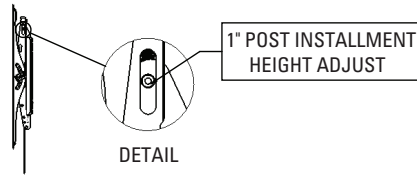
WALL PLATE OPENING



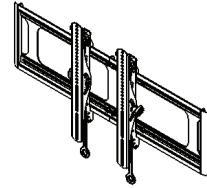
FRONT VIEW



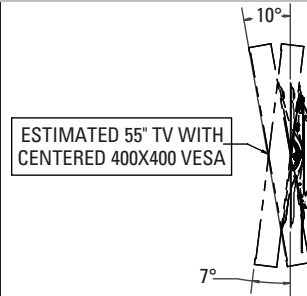
SIDE VIEW - HEIGHT ADJUSTMENT



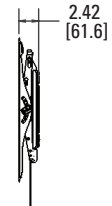
3-D



TILT RANGE



SIDE VIEW - DEPTH



IT'S TIME TO SHOW OFF



When you share your handiwork
with your friends, tag

#sanusspaces

for a chance to be featured in the
Inspiration Gallery on SANUS.com.



SANUS.com

WE MAKE IT EASY



SanusSystems

CHAT WITH US



pinterest.com/Sanus

BE INSPIRED



SanusSystems

WATCH AND LEARN

Legrand AV Inc.

6436 City West Parkway
Eden Prairie, MN 55344 USA
US: 800-359-5520 • SANUS.com

Legrand AV Netherlands B.V.

Franklinstraat 14, 6003 DK Weert, Netherlands
EMEA: +31 (0) 495 580 852
UK: 0800 056 2853

Legrand Australia

Unit 20 / 33 Meakin Road,
Meadowbrook QLD 4131, Australia
AUS: +61 (0) 7 3299 7000

©2019 Legrand AV Inc. All rights reserved. SANUS is a division of Legrand.

All other brand names or marks are used for identification purposes and are trademarks of their respective owners.

6901-602373 00