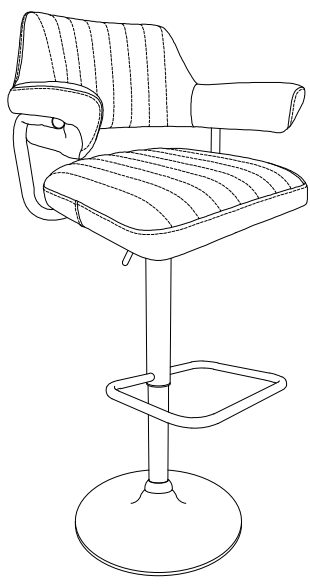
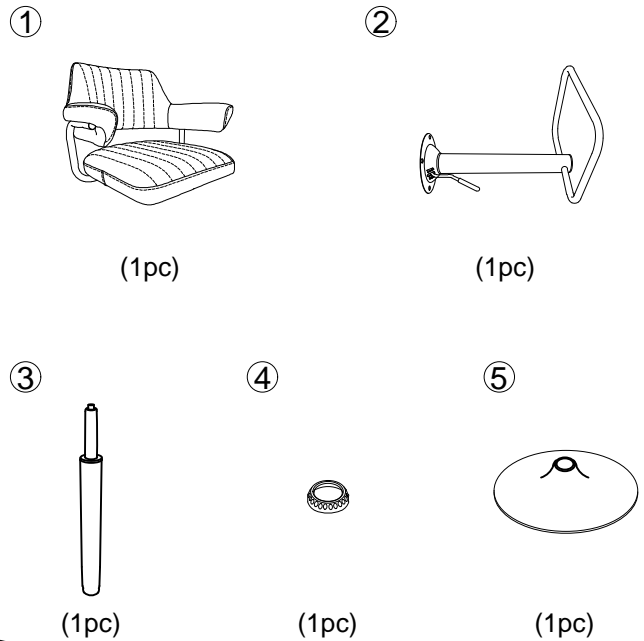


Assembly Instructions

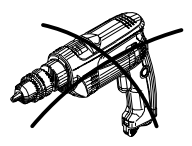
Item NO.:205-14-02-01-01
205-14-32-01-01
205-14-46-01-01



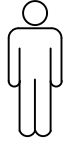
+ Parts Included



+ Do Not Use Power Tools



+ Suggested Adults



NOTE: For questions about parts or assembly please email support@shankar.uk.com

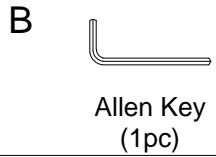
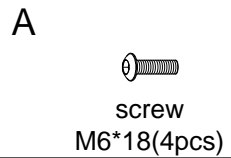
- 1. Read instructions cover to cover.
- 2. Save all packaging until assembly is completed.

IMPORTANT ASSEMBLY INFORMATION

Assembly Step:

- 1) Use Screws to connect Part to Part.
- 2) Please strictly follow the assembly steps to assemble

+ Hardware Included



+ Do not tighten until all hardware is locked

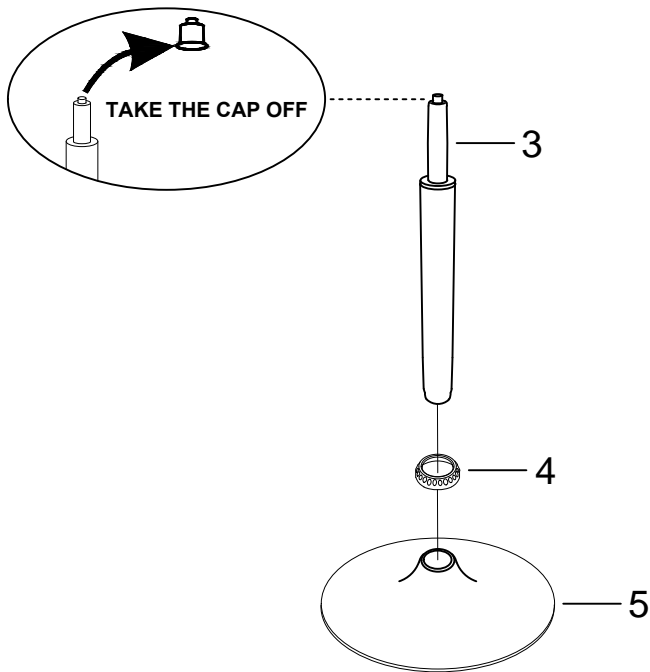
Assembly Instructions

Item NO.:205-14-02-01-01

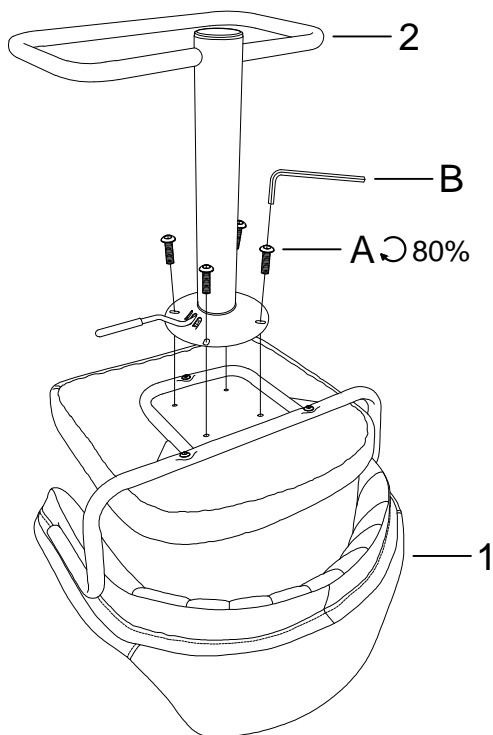
205-14-32-01-01

205-14-46-01-01

①



②



+ Do not tighten until all hardware is locked

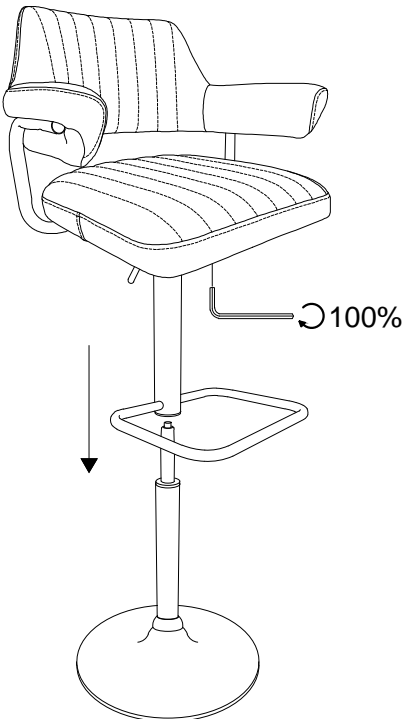
Assembly Instructions

Item NO.:205-14-02-01-01

205-14-32-01-01

205-14-46-01-01

③



④

