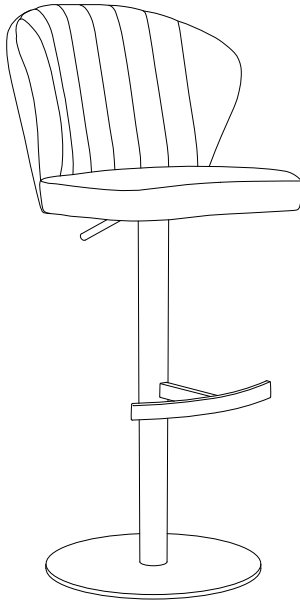


Assembly Instructions

Item NO.:207-09-41-01-01

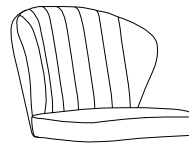
207-09-03-01-01

207-09-02-01-01



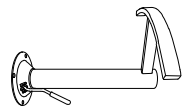
+ Parts Included

①



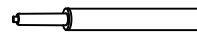
(1pc)

②



(1pc)

③



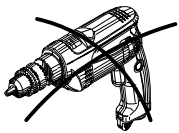
(1pc)

④



(1pc)

+ Do Not Use
Power Tools



+ Suggested
Adults



NOTE: For questions about parts or assembly please email support@shankar.uk.com

1. Read instructions cover to cover.
2. Save all packaging until assembly is completed.

IMPORTANT ASSEMBLY INFORMATION

Assembly Step:

- 1) Use Screws to connect Part to Part.
- 2) Please strictly follow the assembly steps to assemble

+ Hardware Included

A



screw
M8*40(3pcs)

B



screw
M6*18(4pcs)

C



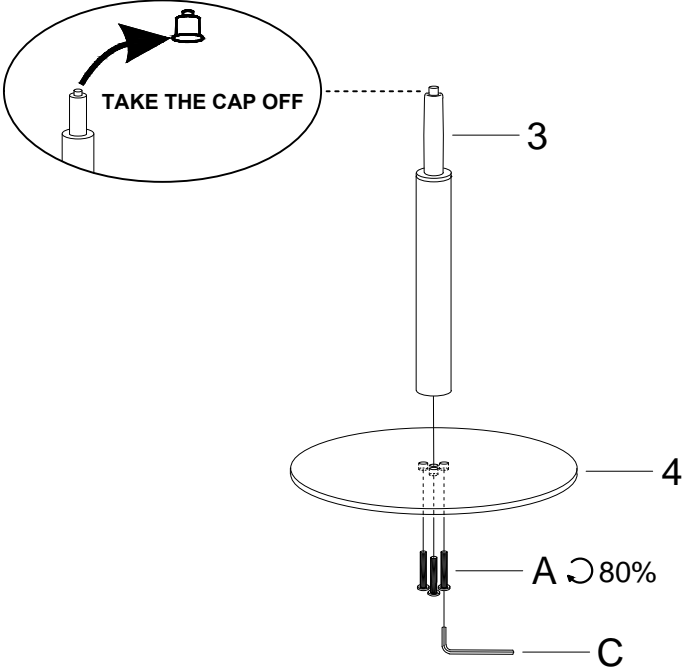
Allen Key
(1pc)

+ Do not tighten until all hardware is locked

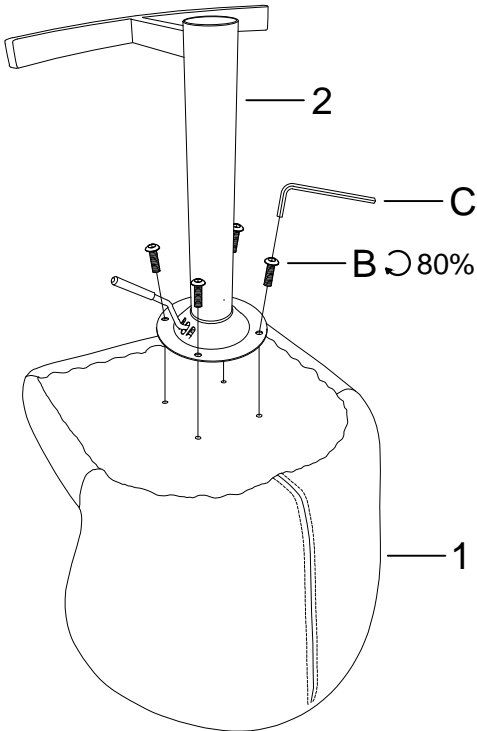
Assembly Instructions

Item NO.:207-09-41-01-01
207-09-03-01-01
207-09-02-01-01

①



②



+ Do not tighten until all hardware is locked

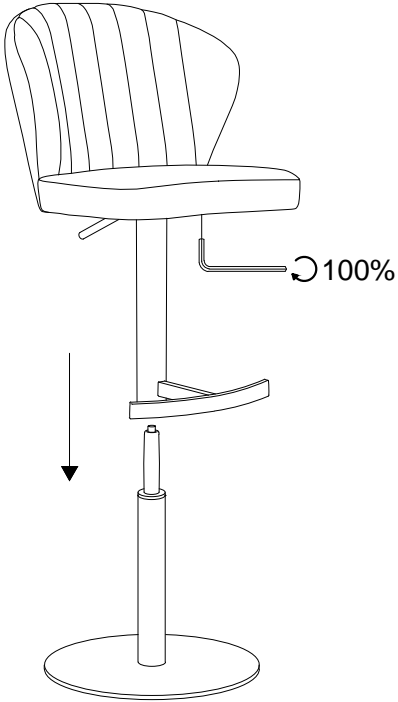
Assembly Instructions

Item NO.:207-09-41-01-01

207-09-03-01-01

207-09-02-01-01

③



④

