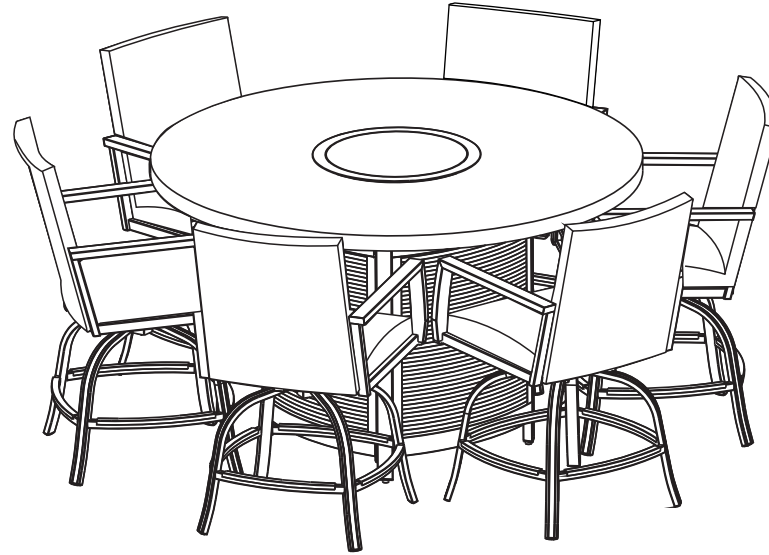


ITM. / ART. 514876
7 PIECE WOVEN HIGH DINING FIRE SET

**IMPORTANT, RETAIN FOR FUTURE REFERENCE: READ CAREFULLY
THE ITEM IS INTENDED FOR OUTDOOR DOMESTIC USE ONLY. NOT FOR COMMERCIAL USE.**



Missing parts or damaged parts ?

Please call our Customer Service Center, US & Canada : 1-888-383-1932,
Monday - Friday, 9:00AM - 5:00PM Eastern Time, English & French.
Email: customerservice@agio-usa.com

For additional support on care and maintenance of your Agio outdoor furniture please visit our website
at: www.agio-usa.com/service-center/maintenance/ or <http://www.agio-usa.com/service-center/costco-international>.

PREPARATION

Before beginning to assemble this product, make sure all parts are present. Compare parts with package contents list and hardware contents list. If any parts are missing or damaged, do not attempt to assemble this product. Stop and call our customer service center.

Manpower Suggested for Assembly : 2 Adults Recommended. Tools Required for Assembly: Wrench (included).

SAFETY INFORMATION

Please read and understand this entire manual before attempting to assemble or install the product. It should not be used as a toy or tool. Children should not engage in the operation, assembly, removal, or disassembly of the product.

Table Of Contents

Care And Maintenance.....	3
Safety Information.....	4-9
Troubleshooting.....	10
Swivel Chair Parts List	11
Swivel Chair Assembly	12-14
Fire Pit Parts List	15-16
Fire Pit Assembly	17-22
Furniture Cover.....	23
Distro Address.....	24

Care And Maintenance

FRAMES

Cleaning - Use mild soap and warm water. Do not use abrasive materials, cleaners, or bleach products. Rinse with clean water and dry thoroughly.

Maintenance - Periodically clean and dry thoroughly. Be sure to drain any water accumulated inside the frames. To thoroughly drain frames, remove foot caps and tilt the frames, if necessary, to remove all water. This is critical. Water allowed to accumulate inside the frames and then exposed to sub-freezing temperatures can cause damage to the frame tubing. Such damage is not covered under warranty. Always clean, drain, and dry thoroughly before storing for the winter. For best results, always store or cover your furniture when not in use.

** When cleaning or moving large or heavy items, always have two people work together. Never drag furniture.

COVERS

Furniture covers are a great way to protect your set from harsh elements of weather and UV light. However, it is important to ensure furniture and covers are free of moisture and debris before covering. It is also necessary to promptly uncover furniture after rain and during periods of high humidity to prevent moisture build up. Failure to do so can lead to permanent surface and finish damage.

SINTERED STONE TABLE TOP

The Sintered Stone top is made to be durable and stain resistant. Sintered stone is formed using a unique process which fuses minerals together to create a full-bodied slab with unmatched performance characteristics.

CARE AND MAINTENANCE

Unlike other stone materials, sintered stone doesn't have to be sealed. It is also extremely easy to clean, requiring no special formulas or treatments. See Cleaning Instructions for more information.

CLEANING

The Sintered Stone is virtually maintenance free. Just clean the table top with mild soap and water. Rinse with clean water. Wipe it dry with a clean, white cloth to eliminate streaks or residue. Never use steel wool, scouring creams, abrasive cleansers, acids, or petroleum-based product to clean it. Accidental spills should be immediately cleaned as described above.

RECOMMENDATIONS

Use coasters and placemats to protect your table top. Coasters will help absorb sweating by beverage containers and prevent hot containers from leaving rings. Use trivets or hot pads between dishes and the table top to minimize rapid heat transfer. The table top can rapidly draw heat from a hot dish and potentially crack the dish. Cover your dining set with an outdoor furniture cover when not in use.

For additional and more detailed information / sintered stone table top care, visit our website at www.agio-usa.com/service-center/maintenance/ or call our Customer Service Center in the US and Canada at 1-888-383-1932, 9:00AM - 5:00PM Eastern Time, Monday - Friday(English & French).

WARRANTY

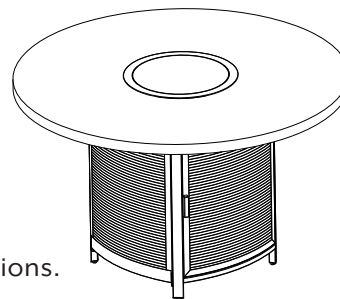
This product is covered under the manufacturer's warranty against defects in materials and workmanship. The warranty does not cover damage due to neglect, abuse, or weather related damage. To view our complete warranty, please visit our website at <https://agio-usa.com/service-center/warranty-registration/>.

Safety Information

Installer: Leave these instructions with consumer. Consumer: Keep these instructions for future reference.

WARNING: If the information in this manual is not followed exactly, a fire or explosion may result causing property damage, personal injury or loss of life.

- Do not store or use gasoline or other flammable vapors and liquids in the vicinity of this or any other appliance.
- **WHAT TO DO IF YOU SMELL GAS.**
- Do not try to light any appliance.
- Do not touch any electrical switch; do not use any phone in your building.
- Immediately call your gas supplier from a neighbor's phone. Follow the gas supplier's instructions.
- If you cannot reach your gas supplier, call the fire department.
- Installation and service must be performed by a qualified installer, service agency or the gas equipment supplier.



0063-24 0558-24

Model No.
ARR11400

WARNING:

It is UNSAFE to use this product for cooking!

WARNING:

Before placing the burner cover on, make sure the fire pit has been shut off and the burner has completely cooled down.

WARNING:

A parasol shall not be placed on it or shall be used with a separate base.

WARNING:

If the information in this manual is not followed exactly, a fire or explosion may result causing property damage, personal injury, or loss of life.

WARNING:

For Outdoor Use Only.

WARNING:

Do Not Burn Wood or any other materials in this fire pit.

WARNING:

Improper installation, adjustment alteration, service, or maintenance can cause injury or property damage. Read the installation, operating, and maintenance instructions thoroughly before installing or servicing this equipment. This appliance must be installed and the gas cylinder stored in accordance with the regulations in force.

WARNING:

USE FACTORY APPROVED REPLACEMENT PARTS AND ACCESSORIES ONLY. USE OF UNAPPROVED PARTS OR ACCESSORIES CAN VOID THE WARRANTY ON THIS PRODUCT AND RESULT IN A HAZARDOUS CONDITION. PLEASE CONTACT US FOR INFORMATION REGARDING REPLACEMENT HOSES, THERMOCOUPLES, ELECTRODES, IGNITION MODULES, LAVA ROCKS, LOGS, ETC.

FOR USE WITH 5KG PATIO GAS PROPANE CYLINDER (NOT SUPPLIED) WITH CLIP-ON CONNECTION OR USE WITH NATURAL GAS AFTER CONVERSION KIT (SUPPLIED) IS INSTALLED.

Questions, Problems, Missing Parts? Before returning to your retailer, call our customer service department in the US and Canada at 1-888-383-1932, Monday-Friday, 9 a.m. – 5 p.m Eastern Time. English and French, or you may Email customerservice@agio-usa.com International Regions: Please visit <http://www.agio-usa.com/service-center/costco-international>

Safety Information

The appliance area must be kept clear and free from combustible materials, gasoline, and other flammable vapors and liquids.

Do not use this appliance if any part has been under water. Immediately call a qualified service technician to inspect the appliance and to replace any part of the control system and any gas control which has been under water.

Children and adults should be alerted to the hazards of high surface temperatures and kept at a safe distance to avoid burns or clothing ignition.

Young children should be carefully supervised when they are anywhere near the appliance.

Clothing or other flammable material should not be hung from the appliance, or placed on or near the appliance.

Any screen or guard removed for servicing an appliance must be replaced prior to operating the appliance.

Installation and repair should be done by a qualified service person. The appliance should be inspected before use and at least annually by a professional service person. More frequent cleaning may be required as necessary. It is imperative that the control compartments, burners and circulating air passageways of the appliance be kept clean.

Do NOT burn solid fuels in this gas fireplace.

Do NOT ignite the burner before pouring all of the burner media (fire ice) into the burner pan. The media must be evenly distributed over the burner.

During initial firing of fire pit, please stay away from the fire pit for 20 minutes as fire media (fire ice) may pop and hit someone on the face or eyes.

Do NOT ignite or use the fire pit if the burner media (fire ice) are wet. Ensure the burner media are completely dry before igniting as intense heat could cause the media to crack and pop.

It is UNSAFE to use this product for cooking!

CAUTION: The propane gas pressure regulator provided with this appliance must be used. This regulator is set for an outlet pressure of 37 mbar.

This outdoor gas appliance is not intended to be installed in or on recreational vehicles and/or boats.

Before each use of this gas appliance, open the LP (Liquid Propane) Tank Drawer and inspect the LP Hose. If there is evidence of excessive abrasion or wear, or the hose is cut, it must be replaced prior to the gas appliance being put into operation. Use only the replacement hose assembly specified in this manual. Inspect the burner before each use of the appliance. The burner must be replaced prior to the appliance being put into operation if it is evident that the burner is damaged. Use only the burner listed in these instructions.

Keep the fuel supply hose away from any heated surfaces. Check the tubing or the flexible hose (at least once per month and each time the cylinder is changed). If it shows signs of cracking, splitting or other deterioration it shall be exchanged for new hose of the same length and of the equivalent quality; The tubing or the flexible hose must be changed within the prescribed intervals Shut off the valve at the gas cylinder or the regulator before moving the appliance. Be careful, accessible parts may be very hot. Keep away from young children.

Do NOT move the appliance during use.

Safety Information

IMPORTANT SAFETY INFORMATION ABOUT PROPANE (LP) GAS

- The cylinder supply system must be arranged for vapor withdrawal.
- This appliance shall be used only outdoors in a well-ventilated space and shall not be used in a building, garage, or any other enclosed space.
- When this appliance is not in use, the gas must be turned off at the supply cylinder.
- Storage of this appliance indoors is permissible only if the cylinder is disconnected and removed from the appliance.
- Cylinders must be stored outdoors in a well-ventilated area out of the reach of children. Disconnected cylinders must have threaded valve plugs tightly installed and must not be stored in a building, garage or any other enclosed areas.
- Change the gas cylinder in an amply ventilated area, away from any ignition source (candle, cigarettes, other flame producing appliances).
- Check that the regulator seal is correctly fitted and able to fulfill its function.
- Do not obstruct the ventilation holes of the cylinder housing.
- Use only the type of gas and the type of cylinder specified by the manufacturer.
- In case of violent wind particular attention must be taken against tilting of the appliance.

This appliance is for use only with a 5KG Patio Gas Cylinder unless converted for use with Natural Gas with the provided gas conversion kit. The cylinder must be equipped for a clip-on regulator. See Figure 1.

SPECIFICATIONS

Appliance Category I12H3P	Appliance Type A	Country GB
INPUT	High Fire	Low Fire
Propane(G31)	16 kW 1144 gr per hr.	4.0 kW 286 gr per hr.
Natural Gas (G20)	16 kW	2.5 kW
Propane Regulator Pressure	37 mbar	2.05 mm Injector, Marking: 2.05
Natural Gas Inlet Pressure	20 mbar	3.20 mm Injector, Marking: 3.20
Clearances to combustibile surfaces	1Sides 24 in / 60.96 cm	Top: 72 in / 182.88 cm

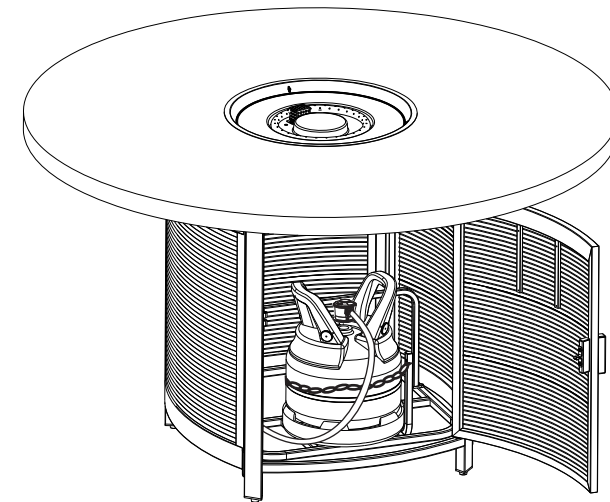
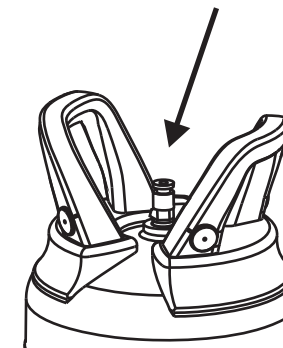


Figure 1



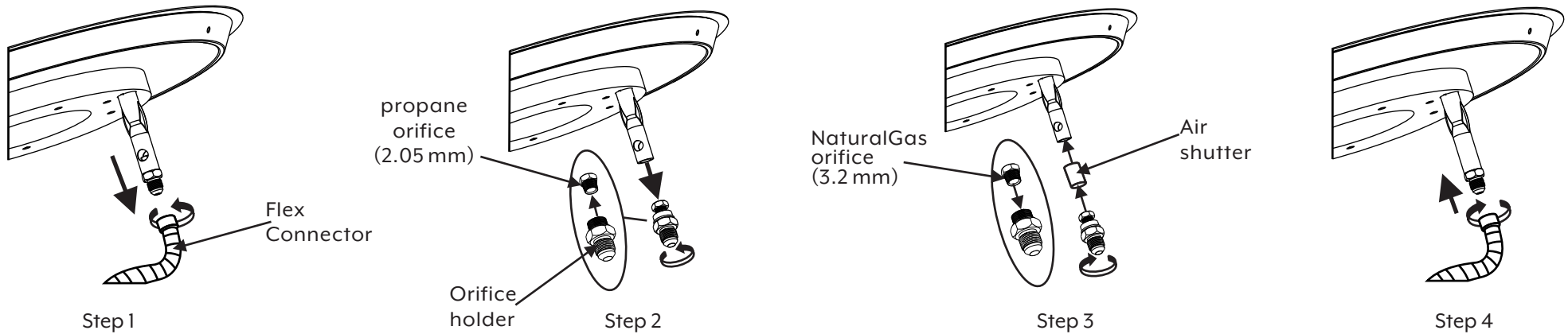
Safety Information

NATURAL GAS CONVERSION

Natural gas conversion must be performed only by your natural gas provider or service company.

1. SHUT OFF THE GAS SUPPLY TO THE UNIT AND ANY NEARBY ELECTRICAL SOURCE OR APPLIANCES.

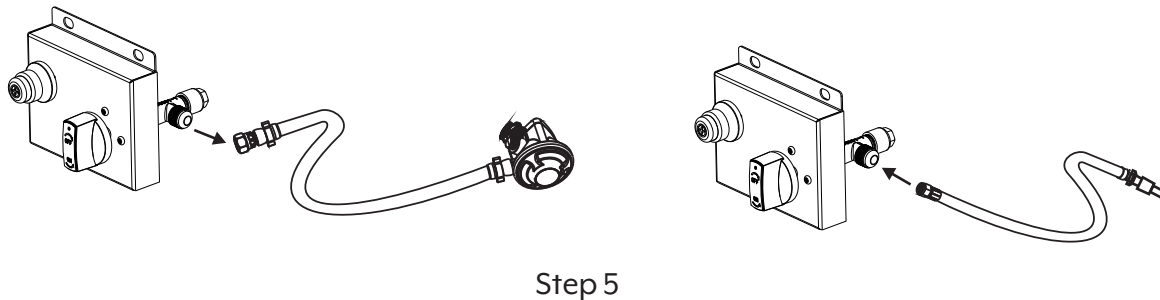
2. Below the burner, carefully disconnect flex connector attached to the orifice holder (see step 1).
3. Carefully unscrew the orifice holder from the burner pipe (see step 2).
4. Remove the propane orifice from the holder and replace with the natural gas orifice (see step 2).
5. Install the air shutter over the burner pipe to cover the air holes. Then reattach the orifice holder to the burner pipe (see step 3).
6. Reattach the flex connector to the orifice holder. (see step 4).



7. To convert the regulator from propane to natural gas, the appliance must be isolated from the gas supply piping system by closing its individual manual shut off valve. Ensure any pressure testing of the gas supply piping system is at test pressure equal to or less than 1/2 psi (3.5KPA)

8. Remove the propane rubber hose from valve and replace with 5/8 in natural gas pipe (see step 5, natural gas pipe package is not provided).

9. Restore your gas supply and check ALL of the connections for leaks using a solution of soapy water. If a leak is discovered and any bubbles are seen, close the main gas valve and re-tighten ALL the connections. **NEVER USE A FLAME TO CHECK FOR GAS LEAKS!**



Safety Information

Stick the conversion label on the rating plate as shown in Figure 2.

Metal Rating Plate

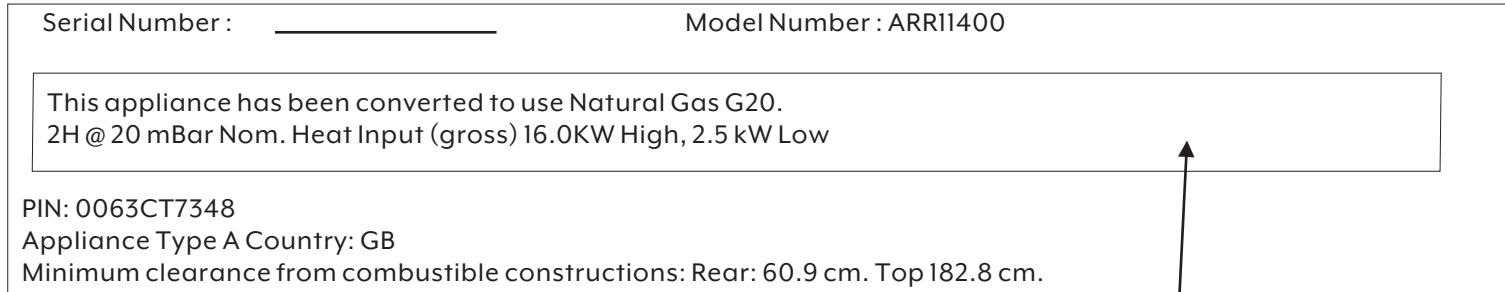


Figure 2

Conversion Label

BATTERIES

Make sure the control knob is in the "OFF" position. Unscrew the push button cap on the ignition module located on the control panel to access the battery compartment. The ignition module requires one Alkaline AA size battery (Included in the hardware pack). The negative (-) end goes in first. See Figure 3. Dispose of battery safely as it may explode or leak if charged or disposed of in a fire.

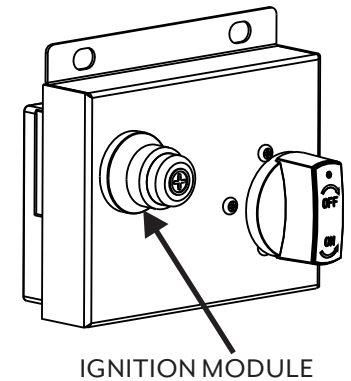


Figure 3

CAUTIONS: BATTERY INSTRUCTIONS

- Always purchase the correct size and grade of battery most suitable for the intended use.
- Always replace the whole set of batteries at one time, taking care not to mix old and new ones, or batteries of different types.
- Clean the battery contacts and also those of the device prior to battery installation.
- Ensure the batteries are installed correctly with regard to polarity (+ and -).
- Remove batteries from equipment which is not to be used for an extended period of time.
- Remove used batteries promptly.

For recycling and disposal of batteries to protect the environment, please check the internet or your local phone directory for local recycling centers and / or follow local government regulations.

Safety Information

MAINTENANCE

The flames should look like those in Figure 4. To clean the burner, use a soft brush after the burner has cooled completely. Never use a vacuum cleaner on the burner. It is recommended to store the fire pit indoors during winter if it will be subjected to freezing temperatures. The LP cylinder must be disconnected and removed from the appliance before the appliance can be stored indoors.



Figure 4

LIGHTING INSTRUCTIONS

Warning: If these instructions are not followed exactly, a fire or explosion may result causing property damage, personal injury, or loss of life.

1. Read instructions before lighting.
2. Push the control knob in and turn the knob to ON.
3. Press the ignitor button to light the burner. Release the control knob after 15 seconds. If the burner does not light, wait 5 minutes, repeat.
4. Adjust the flame to the desired amount by using the control knob. See Figure 5.

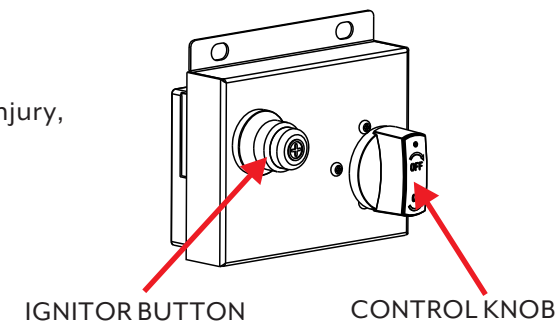


Figure 5

- 1) For use outdoors or in amply ventilated areas.
- 2) An amply ventilated area must have a minimum of 25% of the surface area open.
- 3) The surface area is the sum of the walls surface.

The hose should comply with the standard EN16436;

The regulator should comply with the standard EN16129;

Close the gas supply at the valve of the gas cylinder or the regulator after use;

Do not connect the gas cylinder directly to the appliance without the regulator;

The recommended cylinder size is-max diameter: 310mm, max height: 400mm.

Troubleshooting

	Symptom		Possible Causes	Corrective Actions
1.	Fire won't light	A.	No LP in tank, or NG main not turned on.	Check the LP (propane) tank. You may be out of gas. Or check Natural Gas valve at main.
		B.	Plugged burner orifice.	Check the burner orifice for stoppage. Remove stoppage.
		C.	Battery needs replacing.	Make sure there is a clicking sound when you press the igniter button. If no clicking sound, make sure you installed the battery correctly, with the negative side going into the battery compartment first. If the ignitor is still not working replace with a brand new AA 1.5 V battery. If unit still does not operate it may require cleaning or replacement, call our Customer Service Center at 1-888-383-1932 for assistance.
2.	Blue flames.	A.	This is a result of normal operation and flames will begin to yellow as unit is allowed to burn for 16-20 minutes.	Do nothing.
		B.	Improper air / fuel mixture related to air shutter position.	Close air shutoff. (for LP. Leave 1/4 in open, natural gas 1/16 in open)

	Symptom		Possible Causes	Corrective Actions
3.	Metallic noise	A.	Noise is caused by metal expanding and contracting as it heats up and cools down, similar to the sound produced by a furnace or heating duct. This noise does not affect the operation or longevity of the appliance.	Do nothing.
4.	Decorative beads cracking or splitting.	A.	Heat and /or abrupt temperature changes.	This is a property of glass and may happen occasionally. Do nothing. This is completely normal.

Assembly Instructions

Two Adults Recommended. Assembly Required


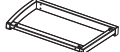


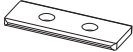


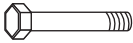








Hand tighten





Fully tighten

Swivel Chair Parts List

	PARTS LIST	DESCRIPTION	ORDER PART #	QTY
A		SEAT FRAME	AS0190	6
B		RIGHT ARM	AS0191	6
C		LEFT ARM	AS0192	6
D		SWIVEL BASE	AS0193	6
E		METAL PLATE	HW0847	12
F		NUT	HW0015	24
G		SPRING WASHER	HW0003	24
H		(43 MM) SCREW	HW0450	24
I		(40 MM) BOLT	HW0971	24
J		WASHER	HW0861	24
K		ALLEN WRENCH-1	HW0252	6
L		ALLEN WRENCH-2	HW0008	6
M		ALLEN WRENCH-3	HW0007	6
N		FURNITURE COVER	ZZR09012	1

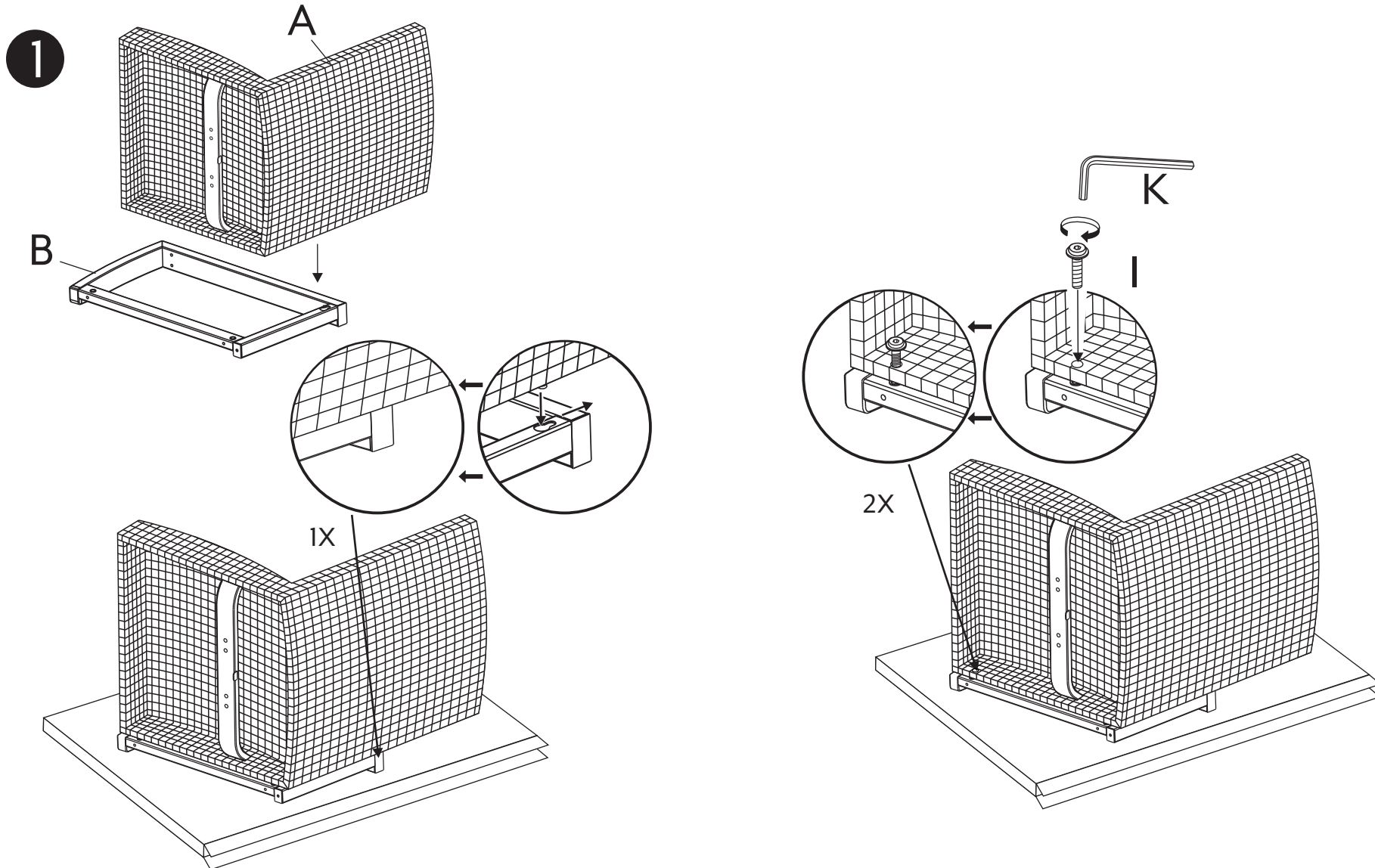
FACTORY ASSEMBLY

O		FOOTREST COVER	G0372	24
P		FOOT CAP	FC0957	24

Swivel Chair Assembly

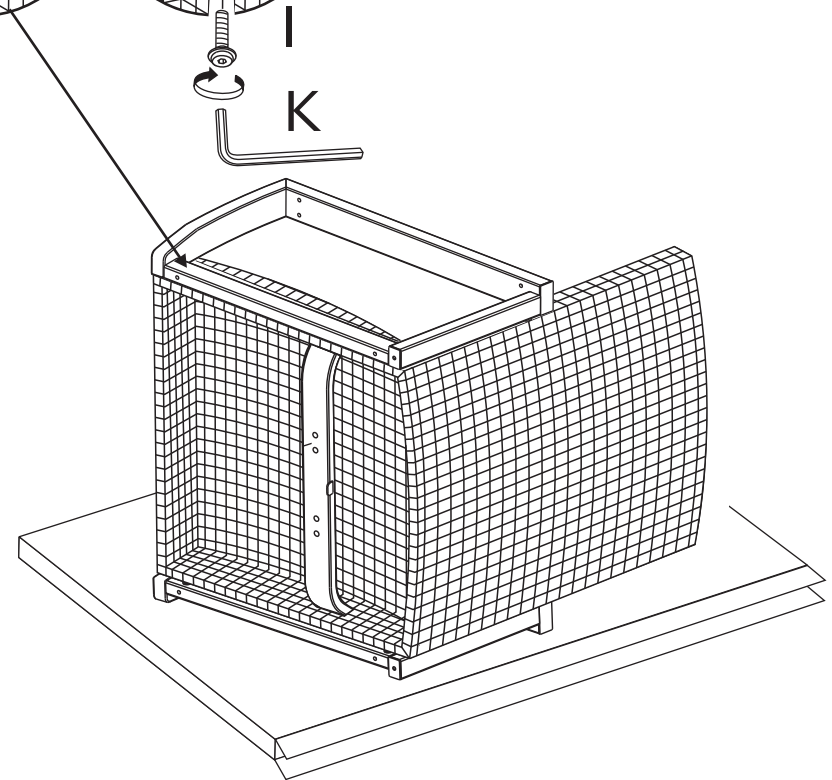
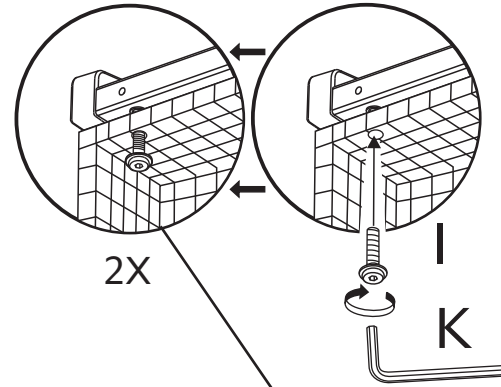
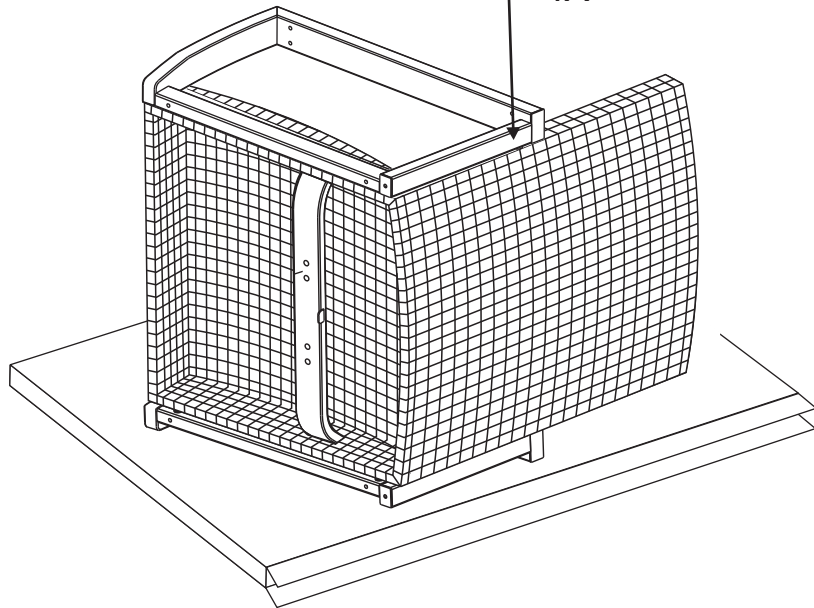
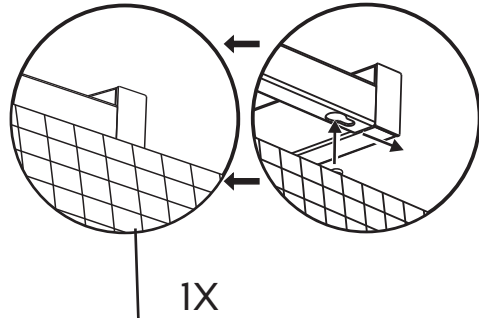
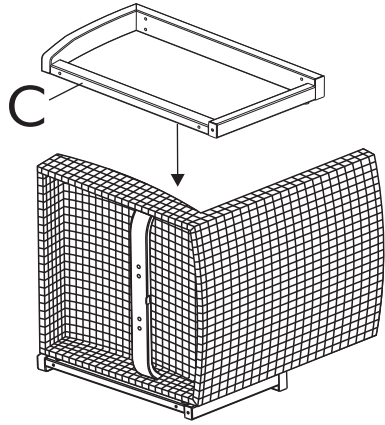
⚠ WARNING:

Perform all assembly steps on a flat, soft, non-abrasive surface to avoid scratching the finish. Do not attempt to assemble the chair if any parts are missing or damaged.



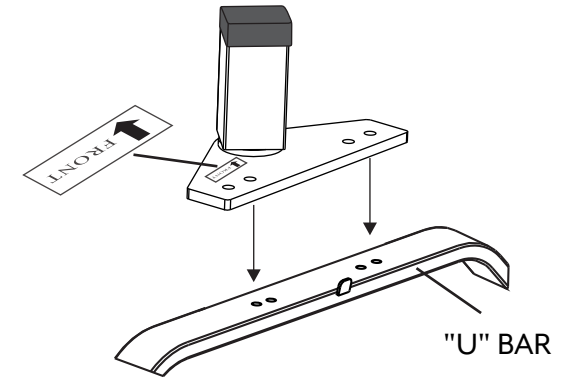
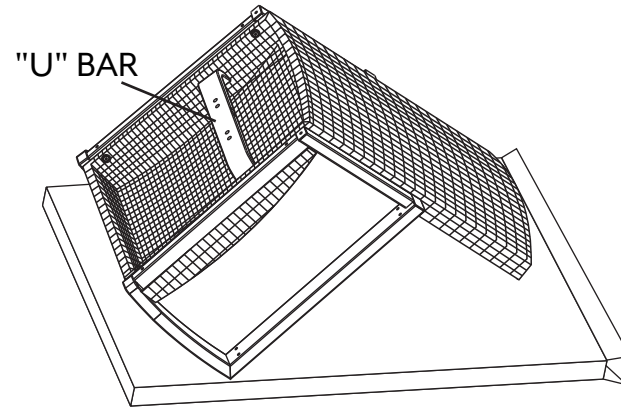
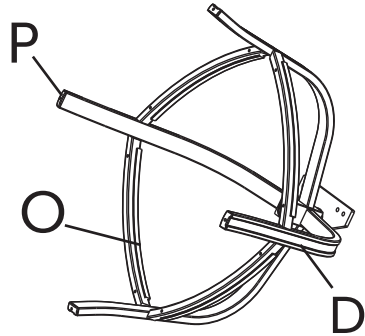
Swivel Chair Assembly

2



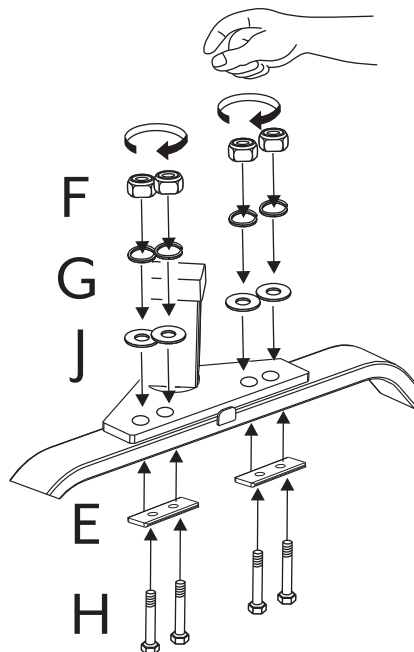
Swivel Chair Assembly

3

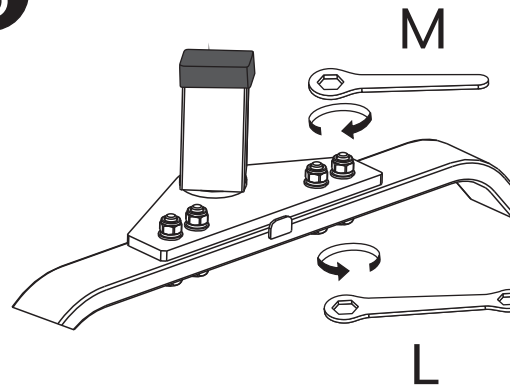


CAUTION : Failure to place metal plates (E) and above the "U" bar exactly as shown in the diagram will cause the bolt heads and nuts to damage the structure of the "U" bar. Damage due to over tightening of bolts or improper assembly could cause injury and may void your warranty.

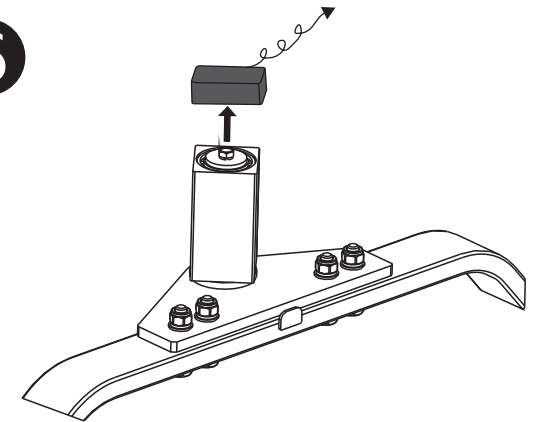
4



5


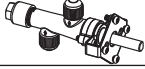











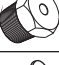
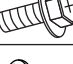




6


















Remove protective cap after assembly.

Fire Pit Parts List

	PARTS LIST	DESCRIPTION	ORDER PART #	QTY
A		CONTROL KNOB	FP2329	1
B		GAS VALVE	FP2330	1
C		THERMOCOUPLE	FP4591	1
D		FLEX CONNECTOR	FP4210	1
E		ELECTRODE	FP4461	1
F		IGNITION MODULE	FP4464	1
G		CHAIN	FP1736	1
H		PROPANE ORIFICE	FP2205	1
I		LP REGULATOR HOSE	FP4302	1
J		FOOT CAPS	FC0759	4
K		"AA" BATTERY	HW0905	1
L		NATURAL GAS AIR SHUTTER	FP1922	1
M		GLASS BEADS (TOTAL:4.5KG)	FP4459	1
N		NATURAL GAS ORIFICE	FP2511	1
O		M4 SCREW	HW0898	3
P		1/4" X 20 MM BOLT	HW0961	10
Q		1/4" X 20 MM BOLT WITH LARGE WASHER	HW0983	4

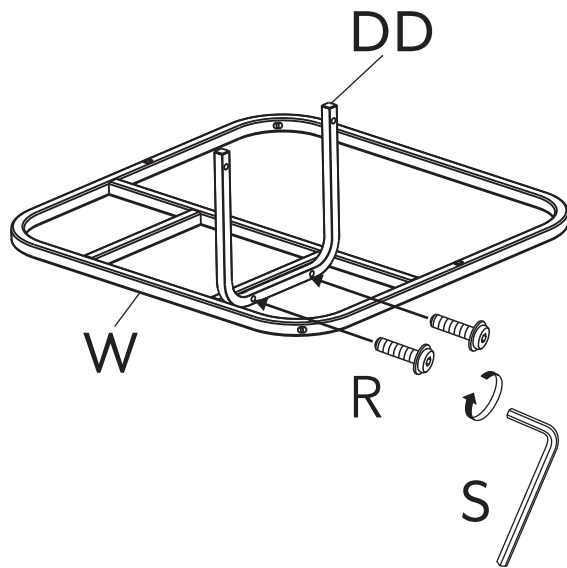
Fire Pit Parts List

	PARTS LIST	DESCRIPTION	ORDER PART #	QTY
R		1/4" X 30 MM BOLT	HW0958	10
S		HEX BOLT DRIVER	HW0252	1
T		CROSS POINT SCREWDRIVER	HW0900	1
U		BURNER PAN PROTECTIVE RING	FP4603	1
V		BURNER ASSEMBLY	FP4604	1
W		LP SUPPORT FRAME	FP4605	1
X		FIRE PIT TABLE TOP	FP4606	1
Y		BURNER COVER	FP4607	1
Z		SIDE PANEL	FP4608	2
AA		FRONT PANEL WITH DOOR	FP4609	1
BB		BACK PANEL	FP4610	1
CC		MIDDLE SUPPORT	FP4611	1
DD		LP SUPPORT BRACKET	FP4612	1
EE		ADDITIONAL TIP-OVER SWITCH	FP1970	1
FF		ORIFICE HOLDER	FP3573	1

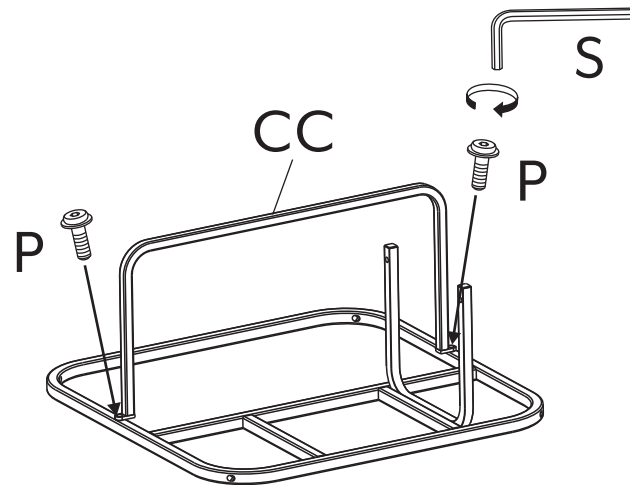
Fire Pit Assembly

⚠ WARNING:
Perform all assembly steps on a flat, soft, non-abrasive surface to avoid scratching the finish.

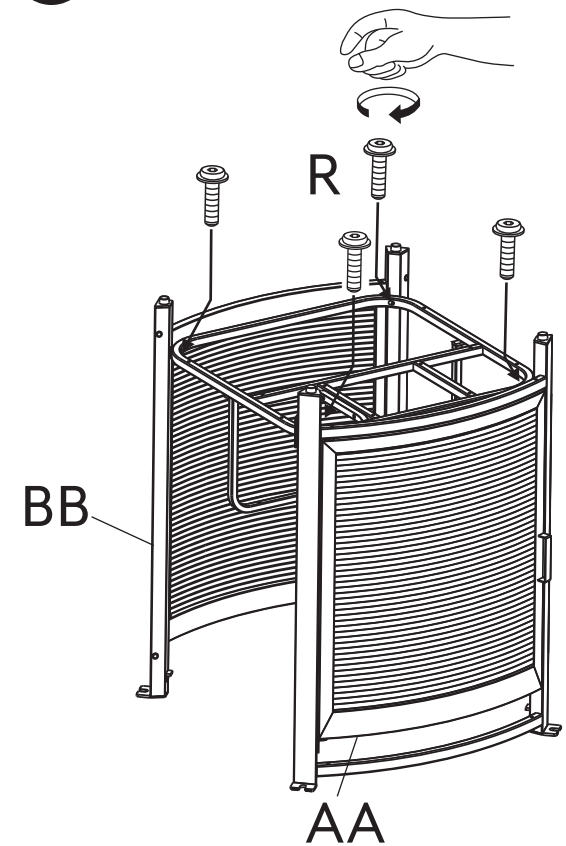
1



2

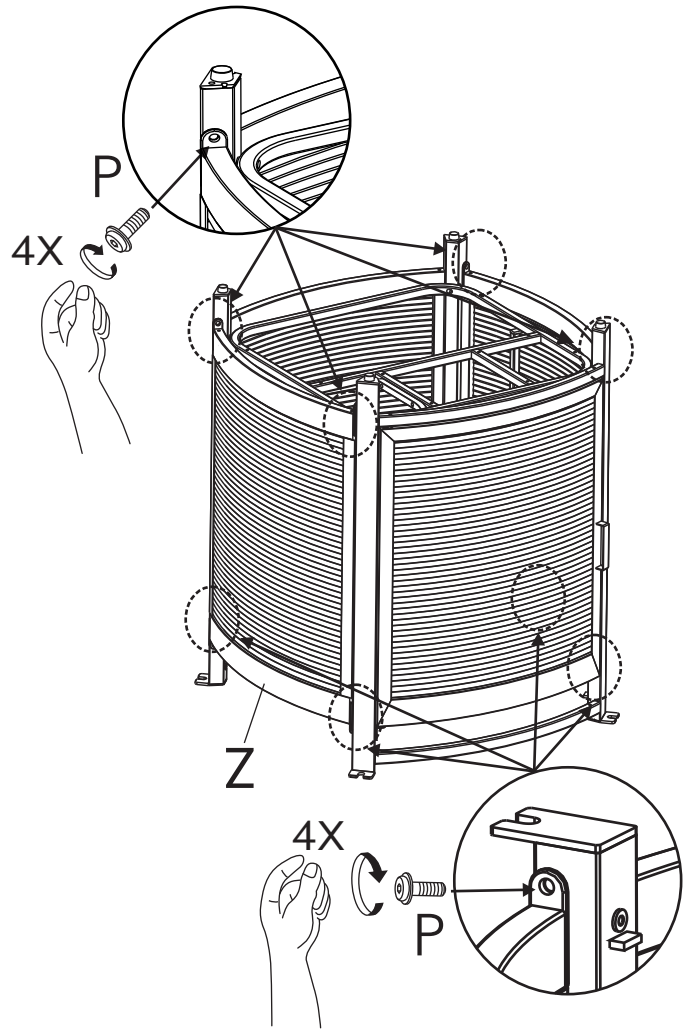


3

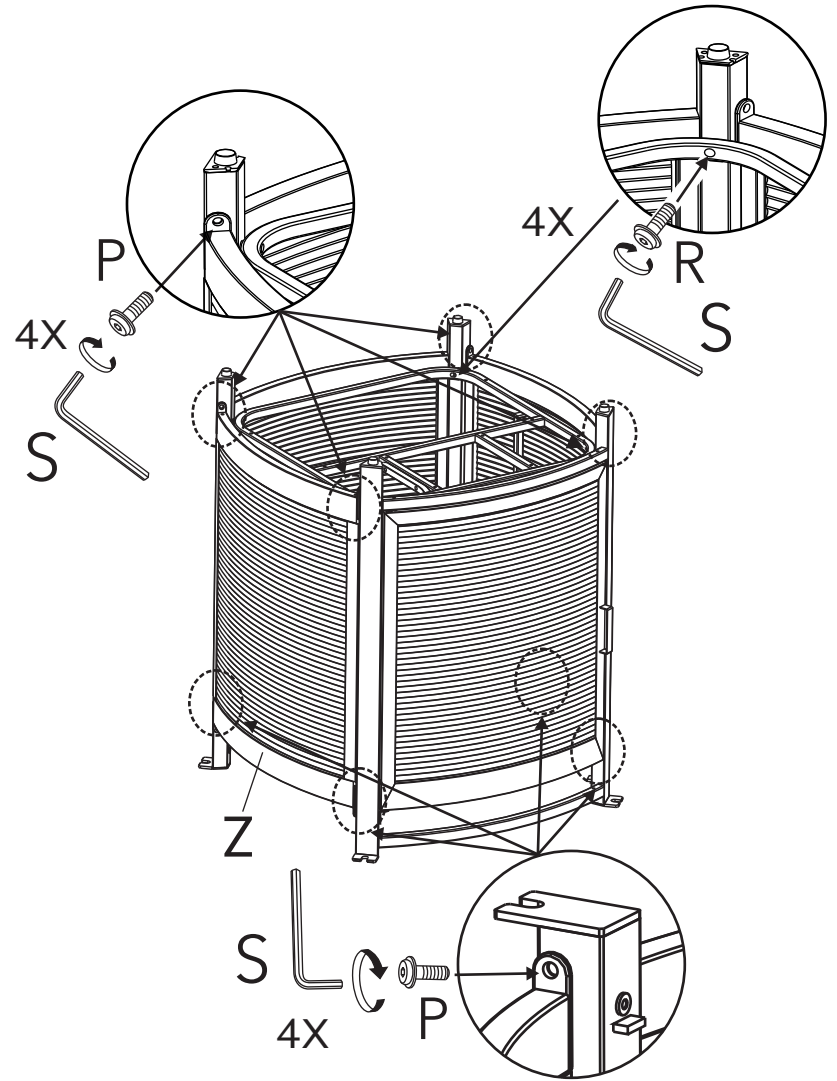


Fire Pit Assembly

4

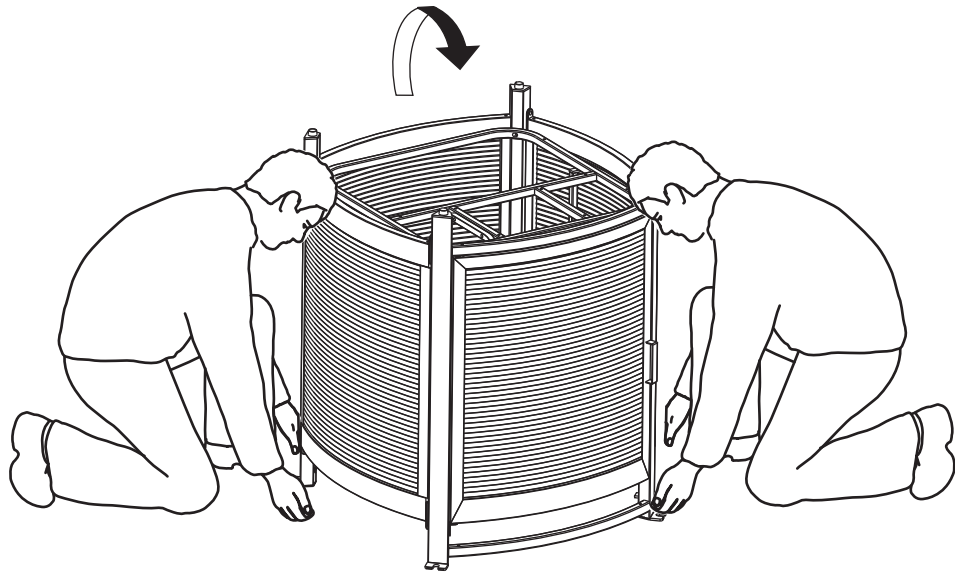


5

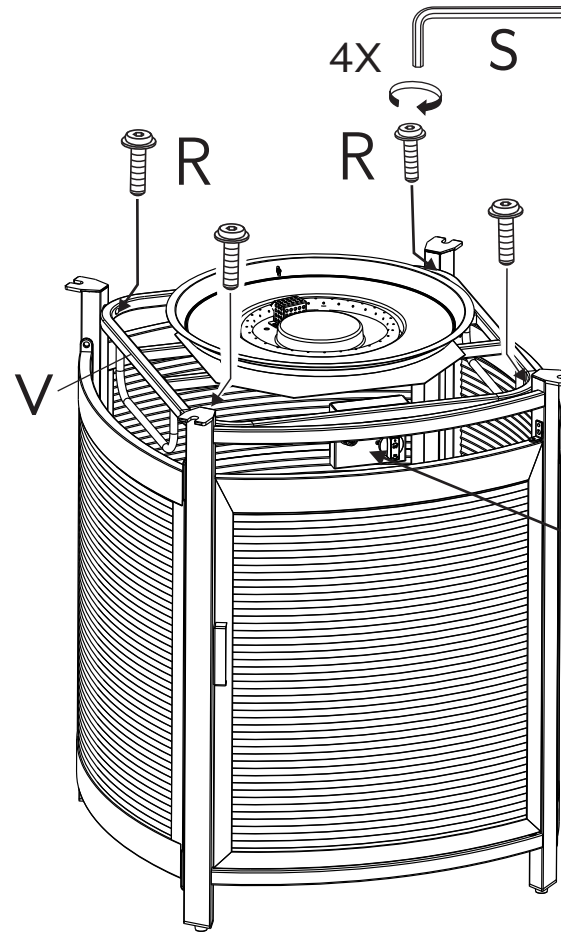


Fire Pit Assembly

6



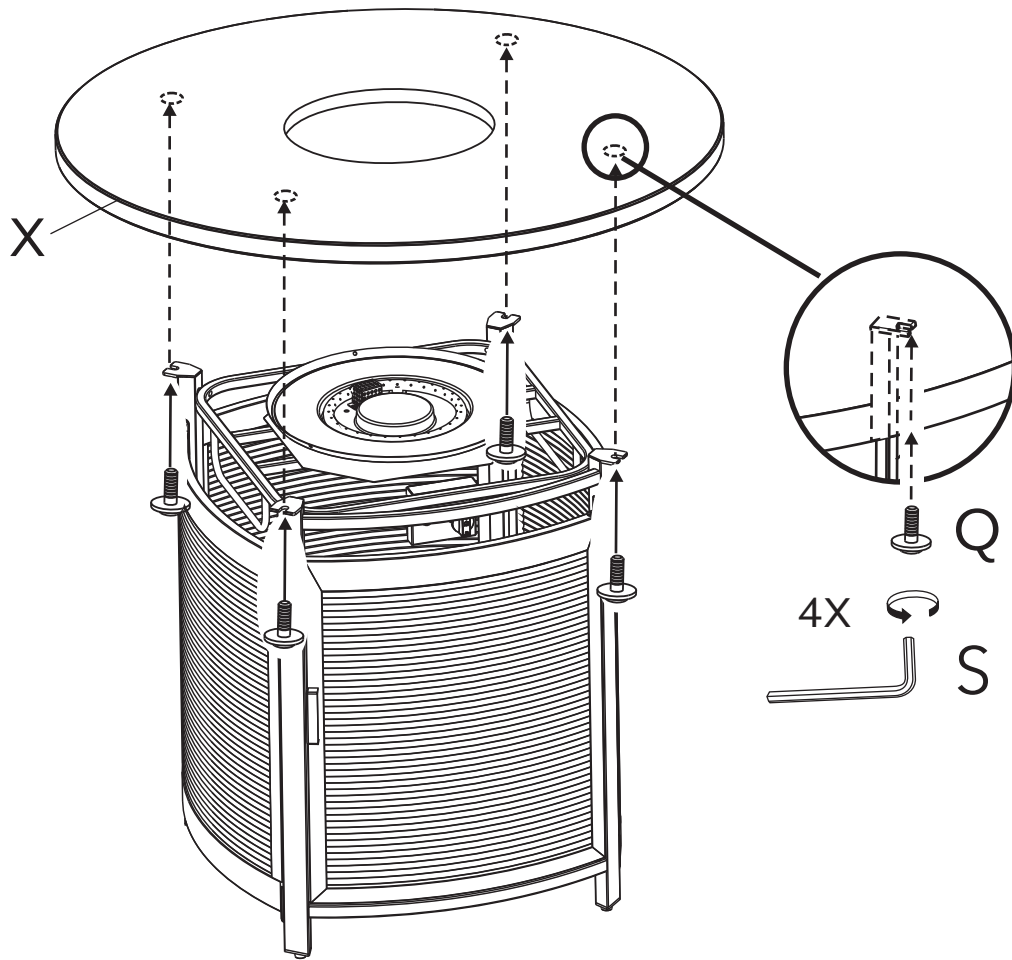
7



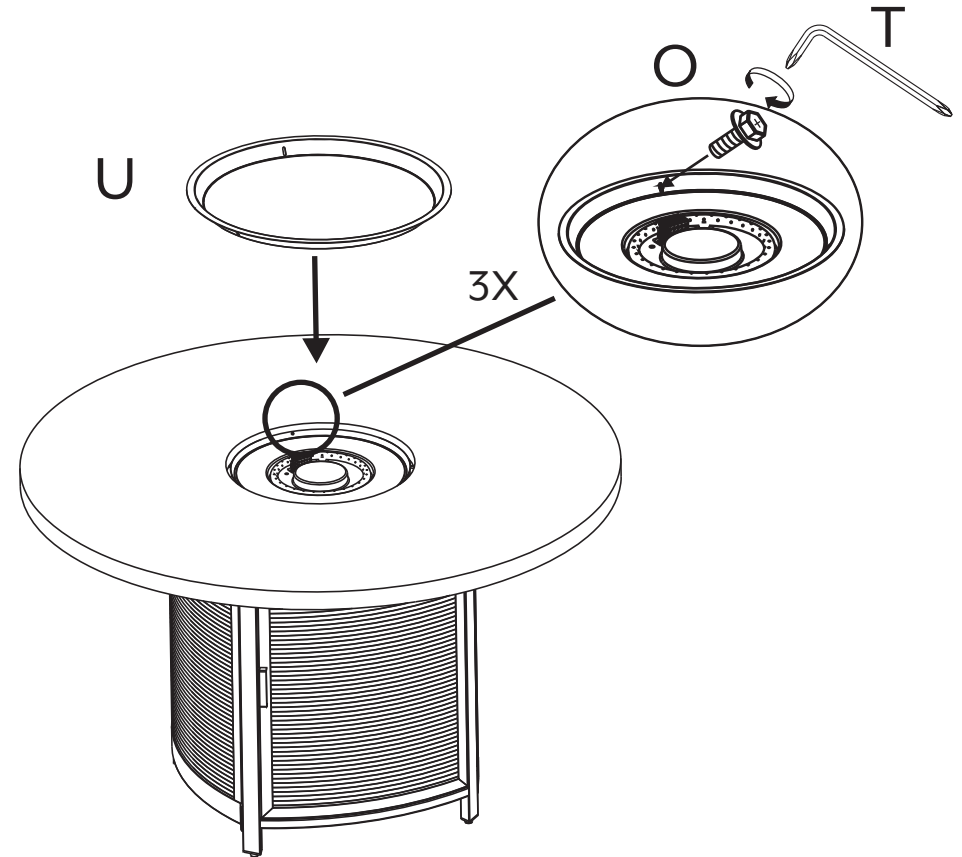
Make sure the ignition is right next to the front panel with door.

Fire Pit Assembly

8

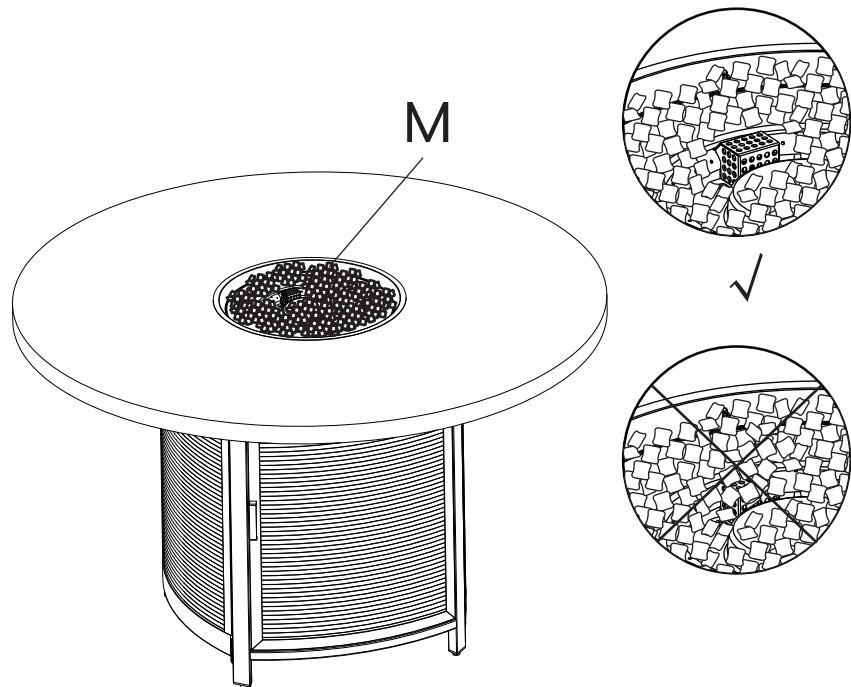


9

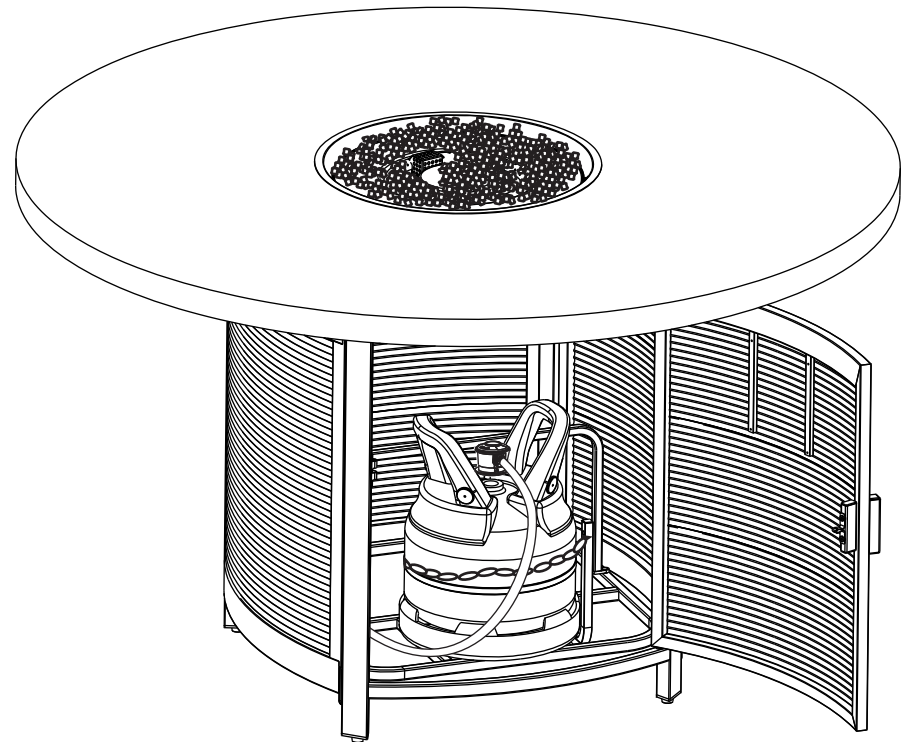


Fire Pit Assembly

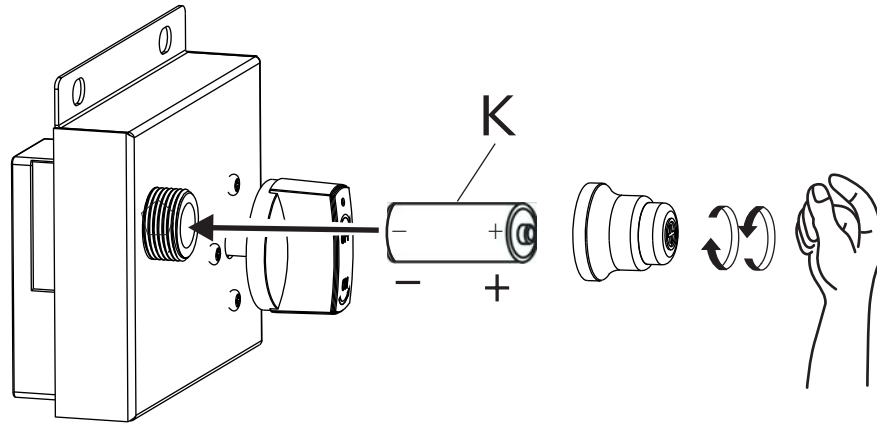
10



11

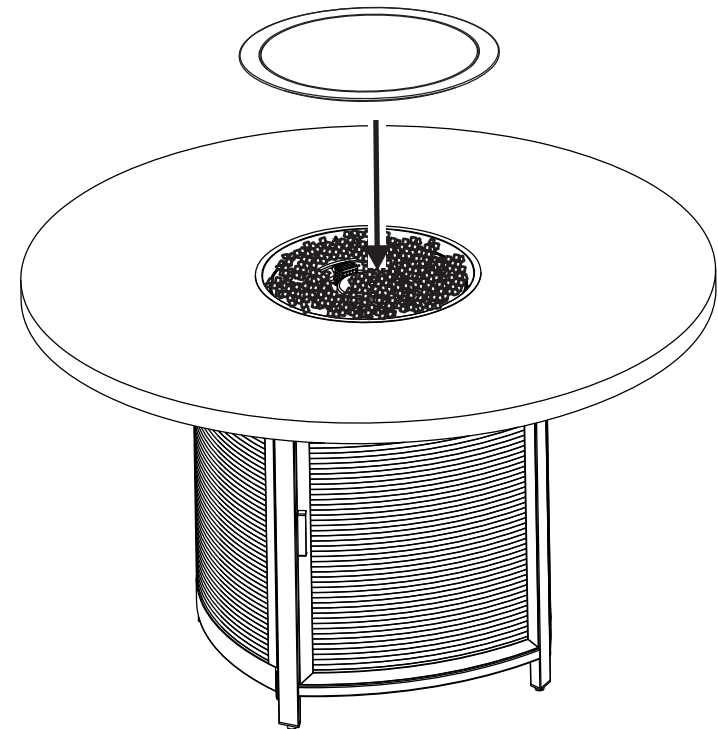


12



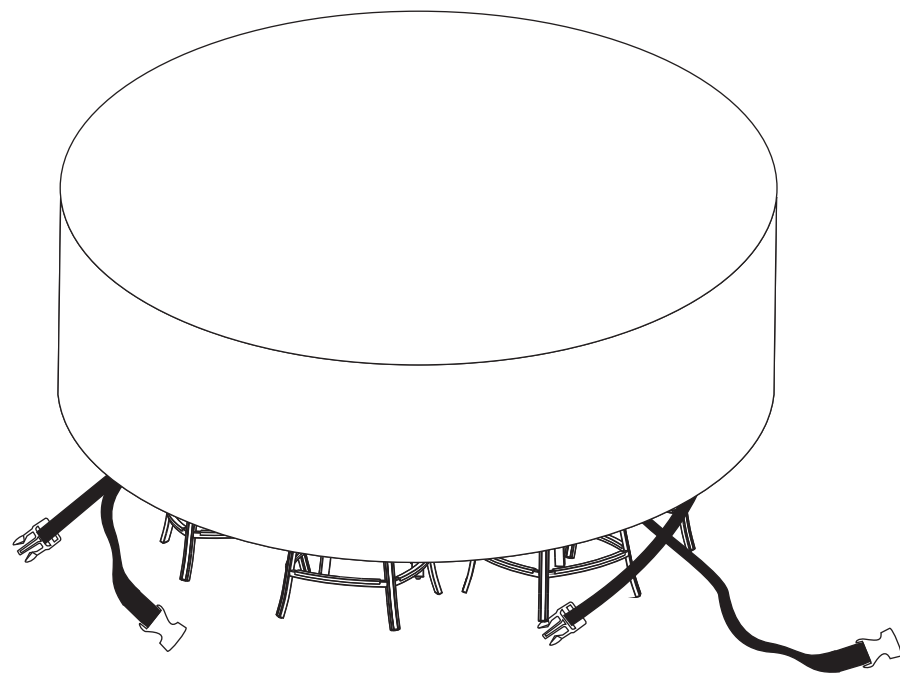
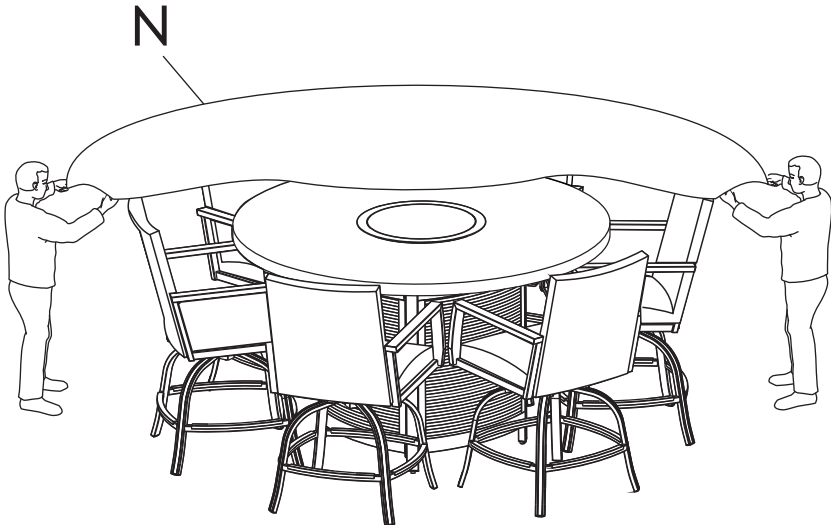
Make sure the battery and battery contacts are clean and dry prior to installation. Ensure the batteries are installed correctly with regard to polarity (+ and -). Remove batteries from furniture that is not to be used for an extended period of time.

13

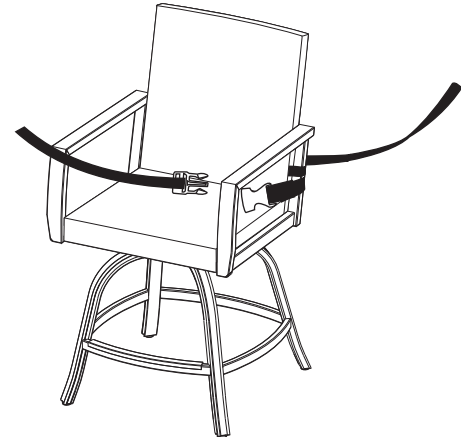


Furniture Cover

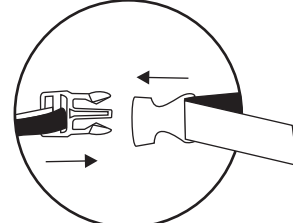
14



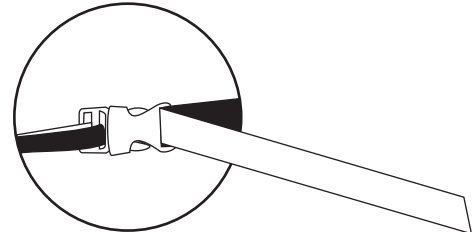
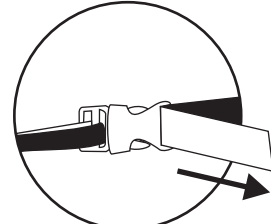
A



B



C



AGIO

Manufacturer:

Agio International Corporation
900 E Hamilton Ave, Suite 100, Campbell, CA 95008, USA

Importer :

Costco Wholesale UK Ltd /
Costco Online UK Ltd
Hartspring Lane
Watford, Herts
WD25 8JS
United Kingdom
01923 213113
www.costco.co.uk

MADE IN CHINA