



AWNING ELECTRICAL
REQUIREMENT GUIDE

Guide to ordering your Olympus awning

To attach the awning's electrical connection, as per the link highlighted within the illustration below, the following process is required:

3-core electrical cable (2.5mm)

The standard cable colour for the awning motor is black and 3,000mm long. An IP66 5-amp fused spur is required and is to be supplied by a third-party certified electrician. This can be pre- or post-awning installation and should be located within 3,000mm of the awning system. If dimmable LED lighting is chosen within the order, this cable can also be located within the same fused spur housing.

Survey

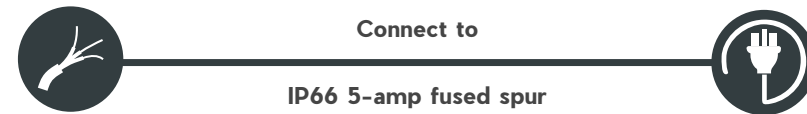
If further detail is required regarding how to measure the awning correctly, please refer to the Olympus survey guide, within the supporting Awning Order Guide.

The awning back height (installation height)—the desired position of the awning—will be advised/agreed upon based on the best possible fixing points, i.e., no obstructions (downpipes, ariels, header bricks, etc.), and wall strength.

The minimum installation height (from the finished floor level) is advised, as follows:

- 1,500mm projection: 2,830mm
- 2,000mm projection: 2,960mm
- 2,500mm projection: 3,090mm
- 3,000mm projection: 3,220mm
- 3,500mm projection: 3,350mm
- 4,000mm projection: 3,480mm

The above minimum installation height dimensions are based on the awning's maximum projection extension, and an inclination of 15 degrees, with a minimum front fascia height of 2,200mm. A valance (straight or scalloped edge) is an optional extra, which installs onto the awning's fascia.



The illustration shows a folding-arm awning in situ, highlighting the awning width, projection, and fused spur position. The awning motor can be positioned on either the left or right-hand side. This is highlighted as you are facing the awning/building.

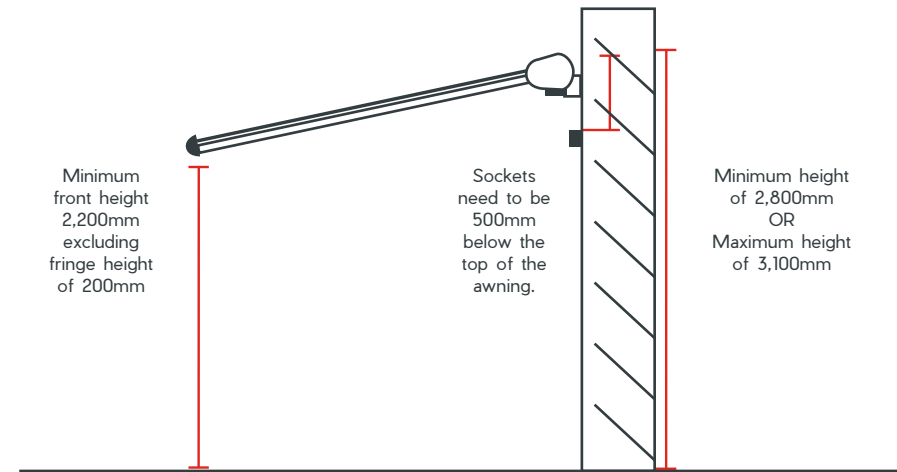
Awning Electrical Requirement Guide

1 x IP66 5-amp fused spur is required to connect the Somfy awning motor.

Individual projects will differ from the illustrative images shown. Please check with the Olympus team regarding your bespoke project.

> Additional Extras

If an infra-red heater is an option, a separate IP66 13-amp fused spur would be required.



IMPORTANT

- > The awning power supply is recommended to connect directly from the consumer unit, via the localised 5 amp fused spur, to be installed by a certified electrician.
- > All electrical outlets are legally required to be RCD protected and IP rated, for outdoor usage.

- > The Olympus team are not qualified electricians, and as such, cannot provide final connections. If the third-party electrician installs the 5-amp fused spur before the awning installation, the awning's motor will be connected to the spur and tested, with the in and out limits set. If the 5-amp fused spur is not installed by the third-party electrician before the awning installation, the awning's motor will be tested, with the in and out limits set, by the installers 'tester lead', with the motor tails hanging loose ready for the electrician to connect later.

Project Requirements

DISCLAIMER

If the processes and standards highlighted within this guide are not met, Olympus and our installation teams, reserve the right to delay or even refuse to install your awning project. Health and safety is our priority to both our team and the consumer. If these standards are not adhered to, the product warranty will be unfortunately void, if the motor fails. Olympus does not accept responsibility for providing the site electrical connections, resulting in any potential electrical faults being the responsibility of the end-user/customer. All images and information are provided for reference only.

Customer/end-user Reference Number	
Customer/end-user Name	
Site Address	
Customer/end-user Signature	
Date	



ROLLER BLINDS



VERTICAL BLINDS



SKYLIGHT BLINDS



BESPOKE BLINDS



AWNINGS



CANOPIES



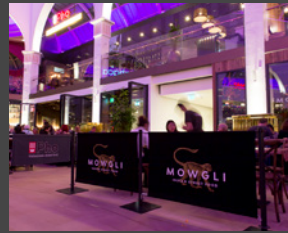
PARASOLS



GLASS PERGOLAS



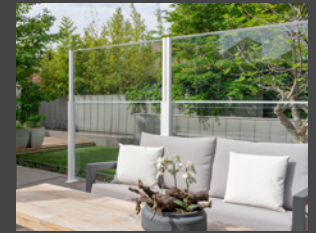
RETRACTABLE ROOFS



BARRIERS



PLANTERS



RETRACTABLE
PARAPET GLASS



Email: costco@theolympusgroup.co.uk | Telephone: 01204 868 640