

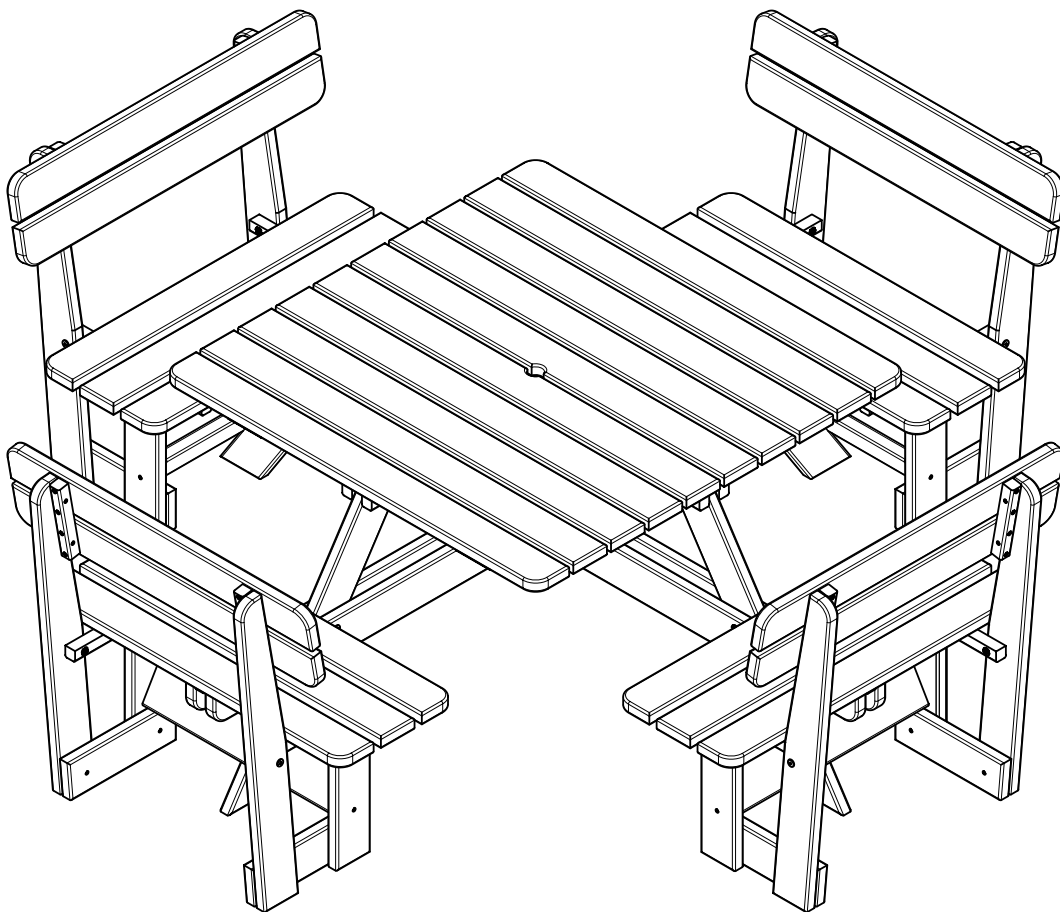


Assembly Instructions

Square Picnic Table

Code: 46359

V11124



(W x D x H) 2.54m x 2.54m x 0.89m



ONLINE ASSEMBLY VIDEO AVAILABLE
Please scan the QR code or visit zestoutdoorliving.co.uk/assembly-search



PLEASE KEEP THESE INSTRUCTIONS

Your new timber product is made to last.

Crafted from sustainable, PEFC-certified European redwood, this product is treated for durability in order to last for many years. The natural knots and variations in the wood give it unique character, and while small cracks may appear as the product settles into its environment, this is completely normal and doesn't affect its strength.

Caring for Your Product

- To preserve the quality of your product, apply a water-repellent preservative at the end of summer and then once a year. This protects against fungal damage and discoloration, ensuring your product stays in top condition.
- Use soapy water and a stiff brush to remove any build-up of dirt. Ensure the wood is completely dry before applying any timber treatments.
- For tougher stains or to refresh the surface, lightly sand the wood with medium-grit sandpaper, then reapply a protective treatment.

Your product is treated to resist rot and decay, but mould can still form in damp conditions. To minimise this:

- If possible, store in a dry, sheltered area during winter or extended periods of non-use to protect from moisture, frost, and extreme weather.
- Periodically inspect for signs of mould. You can use a mild soap and water solution to scrub the surface and clean off visible mould.
- Harsh chemicals should be avoided, as they may strip away the protective treatment on the wood.

Note: Always lift your furniture when moving it to protect the legs and supports from damage

Advisory Notices

- Roofs are weather resistant and not guaranteed to be watertight unless otherwise stated, and are not weight bearing.
- Items with enclosed storage or cupboard space are weather resistant and are not watertight unless otherwise stated.
- Be aware of trap hazards if a Zest product has moving parts.
- All products should be positioned on solid, level ground.
- Anchor down products where applicable using appropriate fixings.
- Sanitise all catering surfaces prior to use.

Ethically Sourced

Zest's slow grown European redwood is sourced from responsibly managed PEFC certified forests. This means forests are used in a way that maintains biodiversity, regeneration, and nature conservation. PEFC tracks certified timber from the forest to the final product giving complete confidence to the customer. www.pefc.co.uk

**Thank you for choosing Zest –
bringing you closer to nature**



Square Picnic Table Assembly Instructions

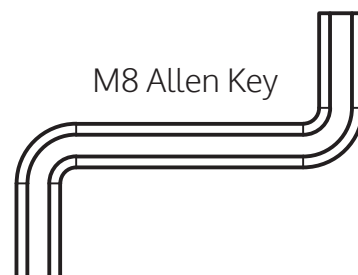
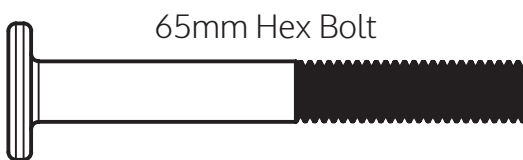
Requires 2 Person assembly

Tools required: Corded / Cordless Drill, Pozi-drive Bit / Screwdriver,
M8 Allen Key (Provided)

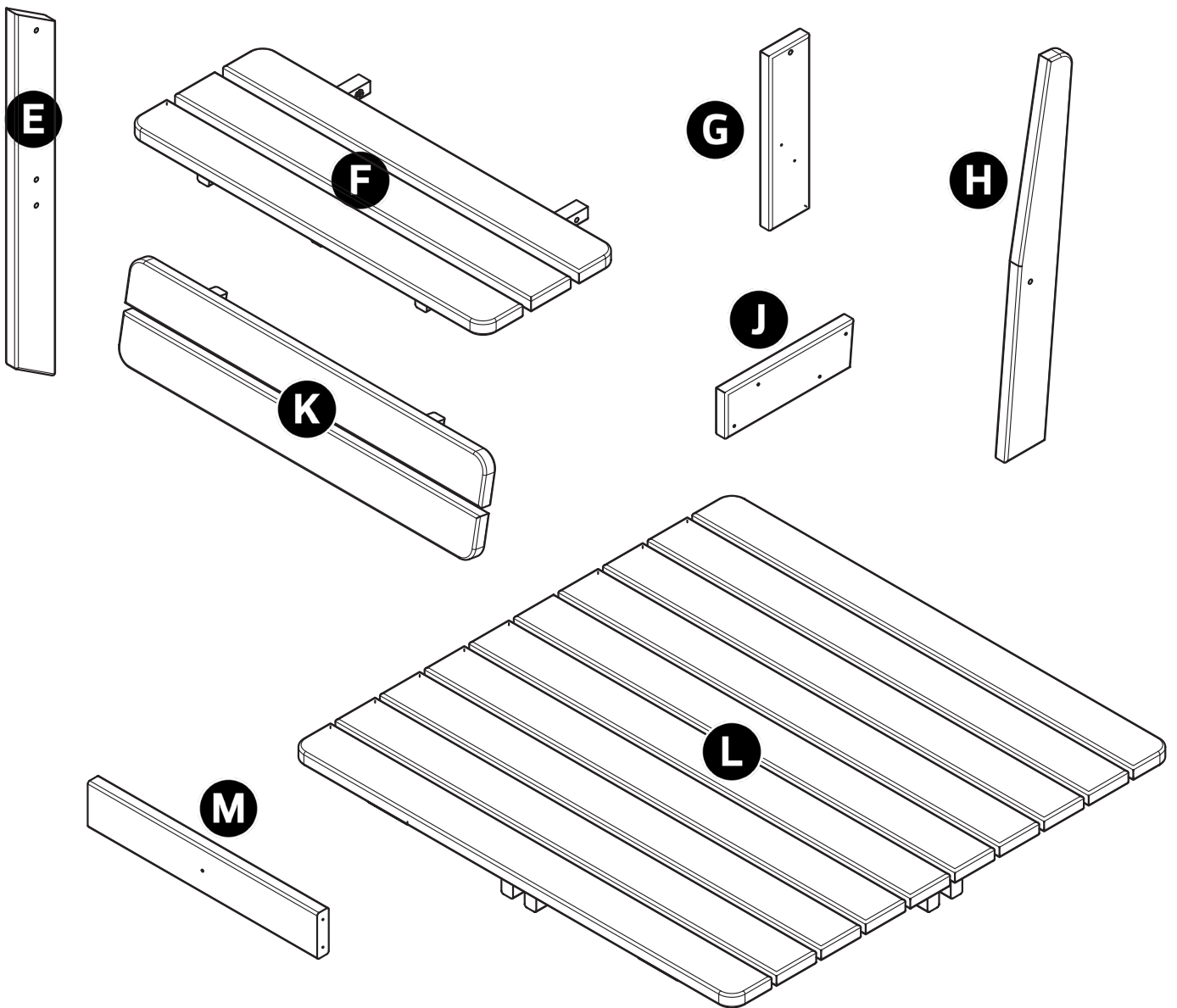
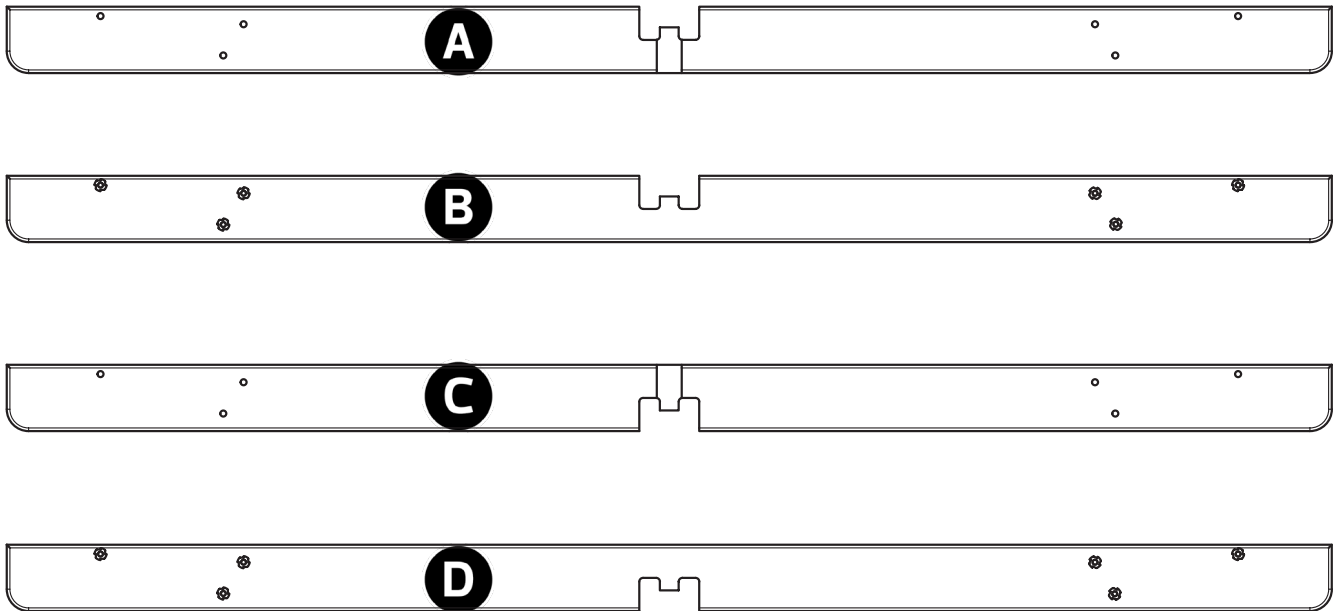
Please take a few moments to check all pack contents listed

Square Picnic Table Pack List			
Part Code	Item	Description	Quantity
46854	A	Seat Bar (Lower)	1
47111	B	Seat Bar with T Nuts (Lower)	1
46855	C	Seat Bar (Upper)	1
47112	D	Seat Bar with T Nuts (Upper)	1
46856	E	Table Leg	4
46852	F	Seat	4
46849	G	Seat Front Leg	8
46850	H	Seat Back Leg	8
46851	J	Seat Leg Feet	8
46853	K	Seat Back	4
46858	L	Table Top	1
46859	M	Seat Cross Brace	4

Code - 46859 Square Picnic Table Fixings List		
Item	Description	Quantity
1	M8 x 65mm Hex Bolt	16
2	M8 x 90mm Hex Bolt	16
3	M5 x 55mm Screw	68
4	M8 Allen Key	1

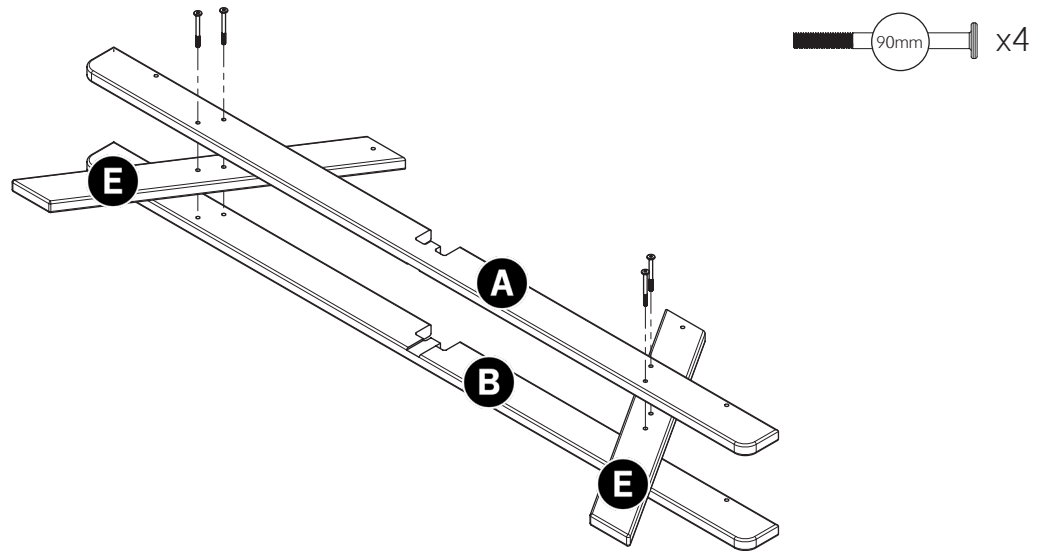


This product is made from pressure-treated timber. It should not be painted or coated with any other treatment until at least 6 months after purchase



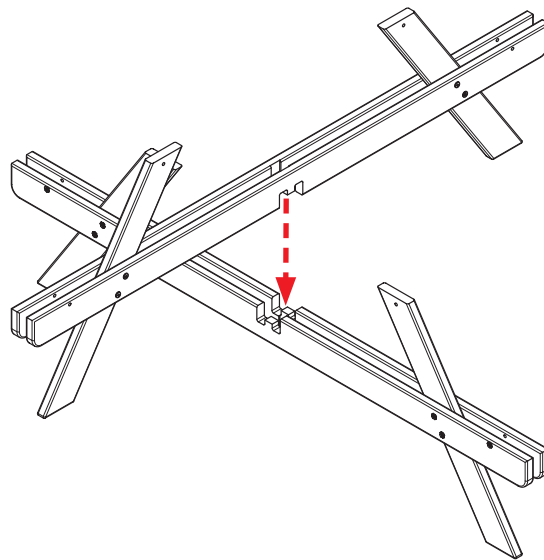
This product is made from pressure-treated timber. It should not be painted or coated with any other treatment until at least 6 months after purchase

1

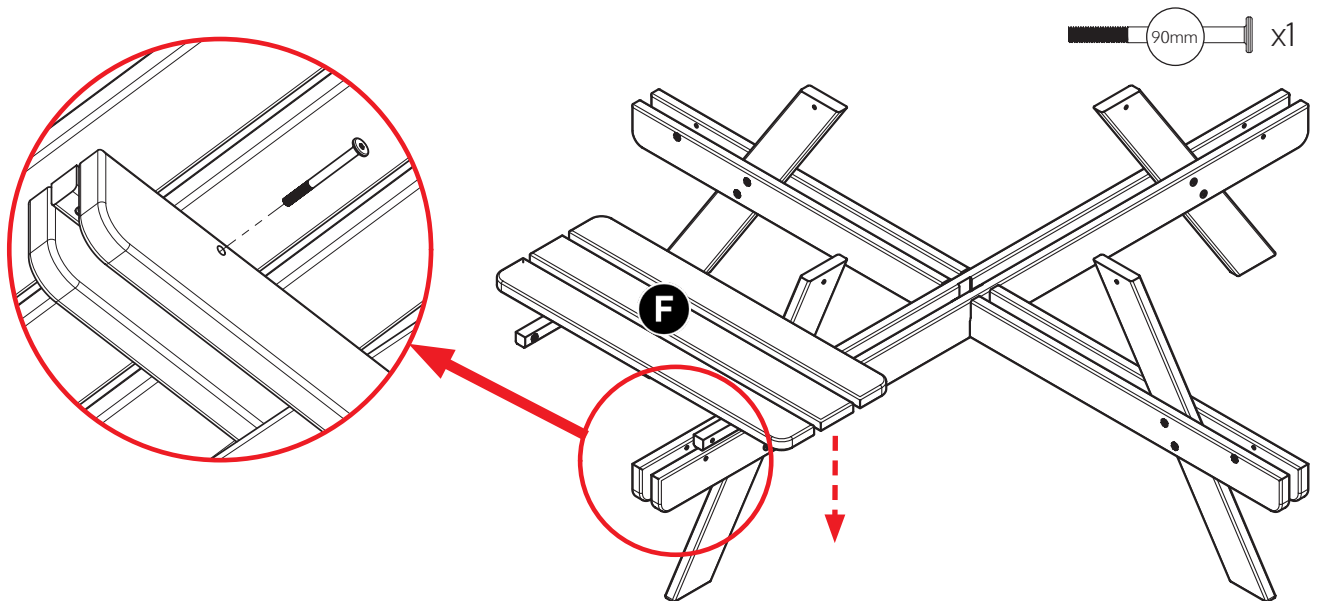


Repeat steps with Upper Seat Bar C and D

2

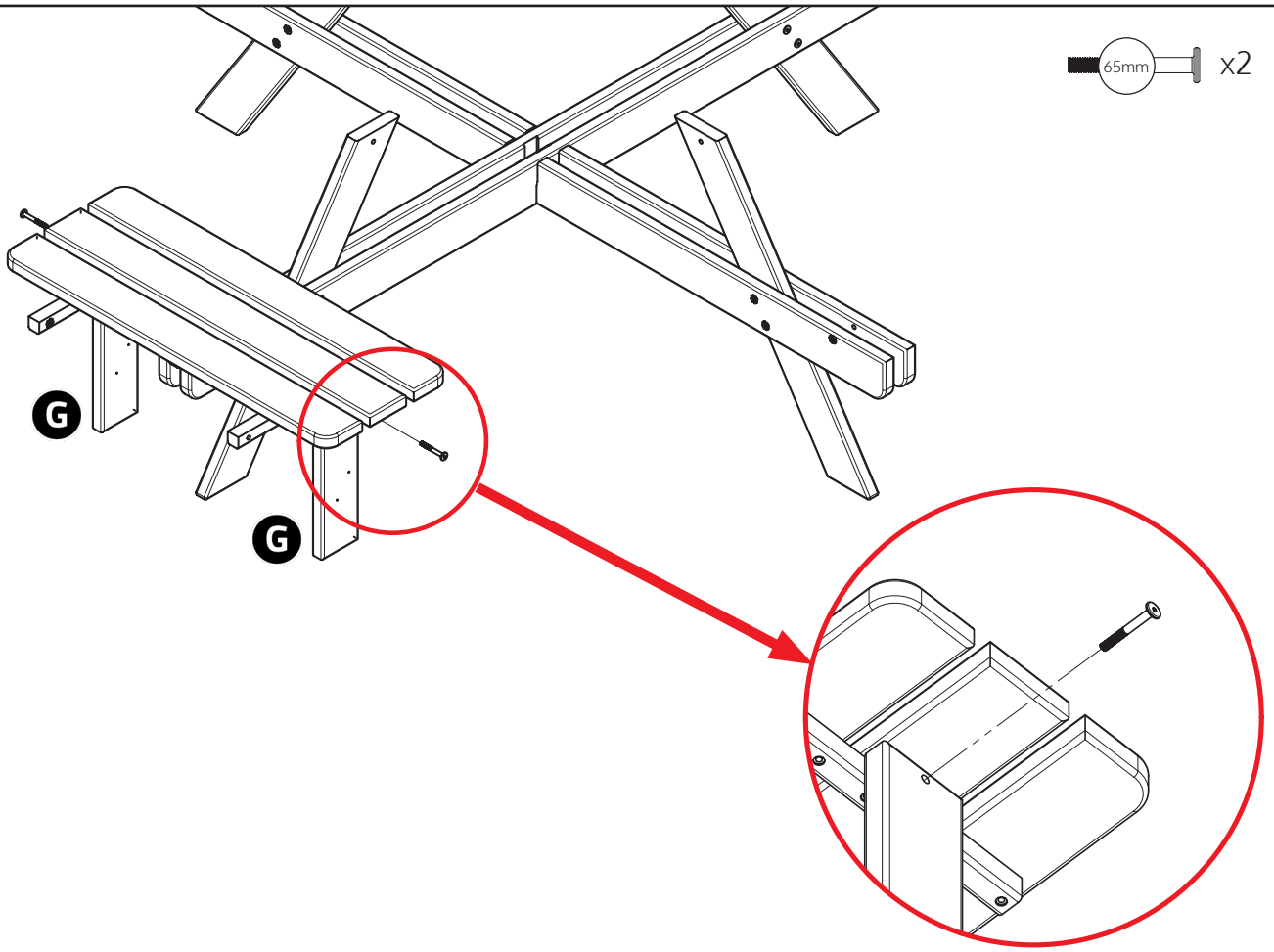


3



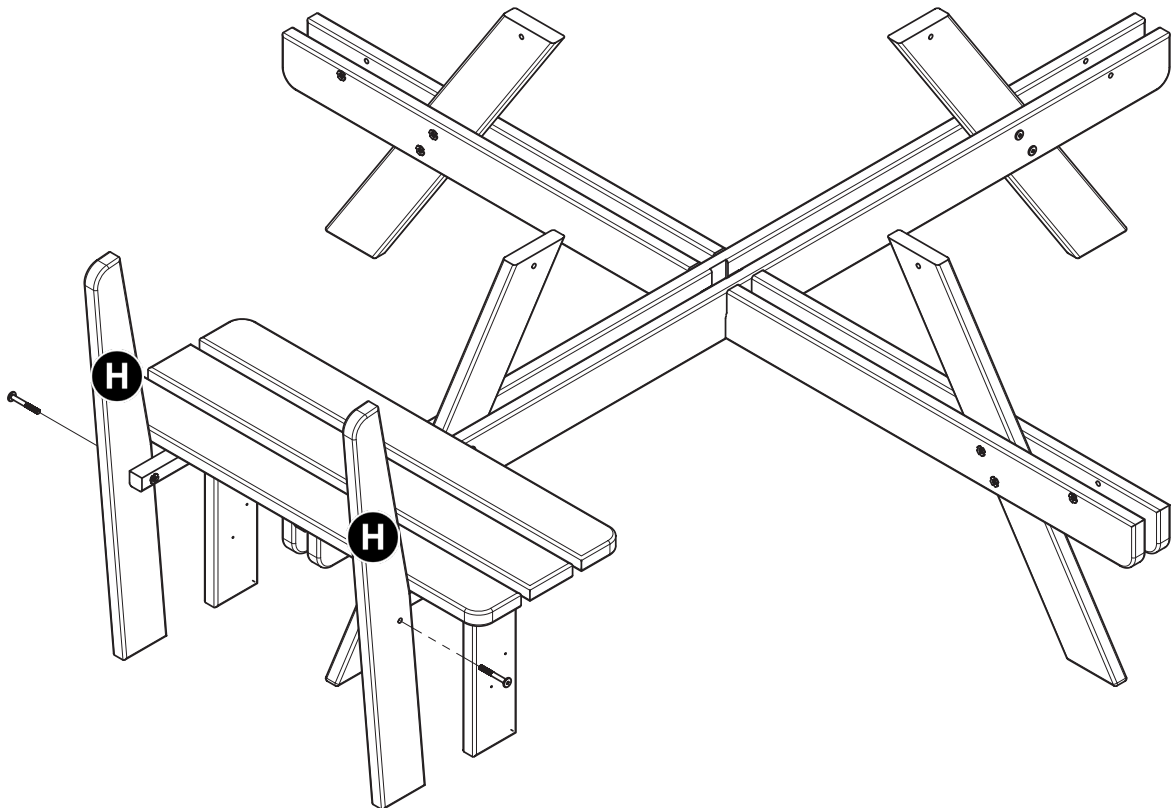
4

65mm x2



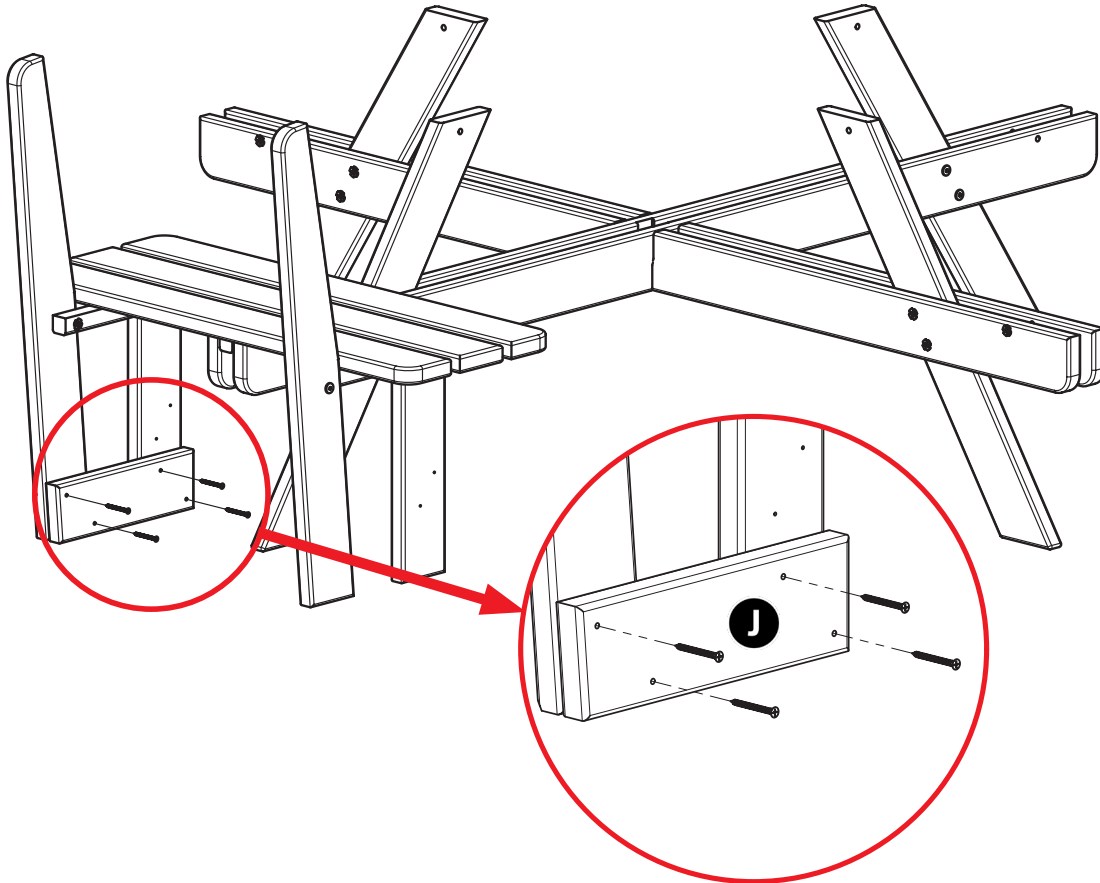
5

65mm x2



6

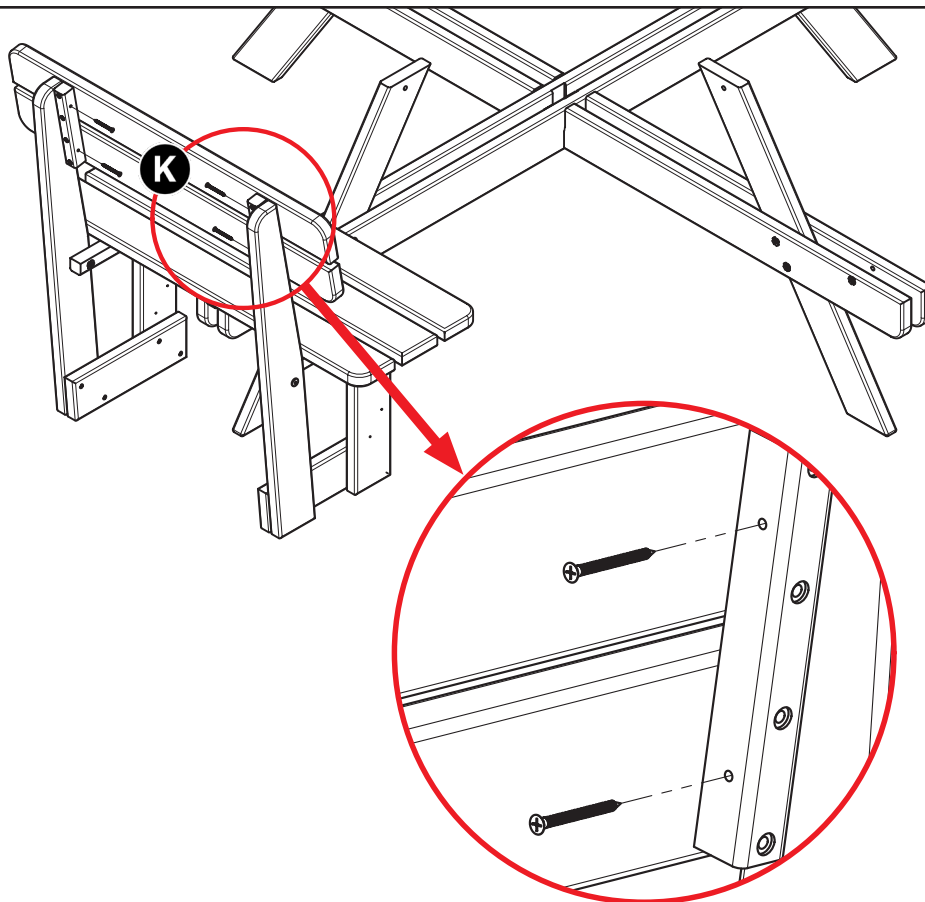
55mm x4



Repeat on oppsite side

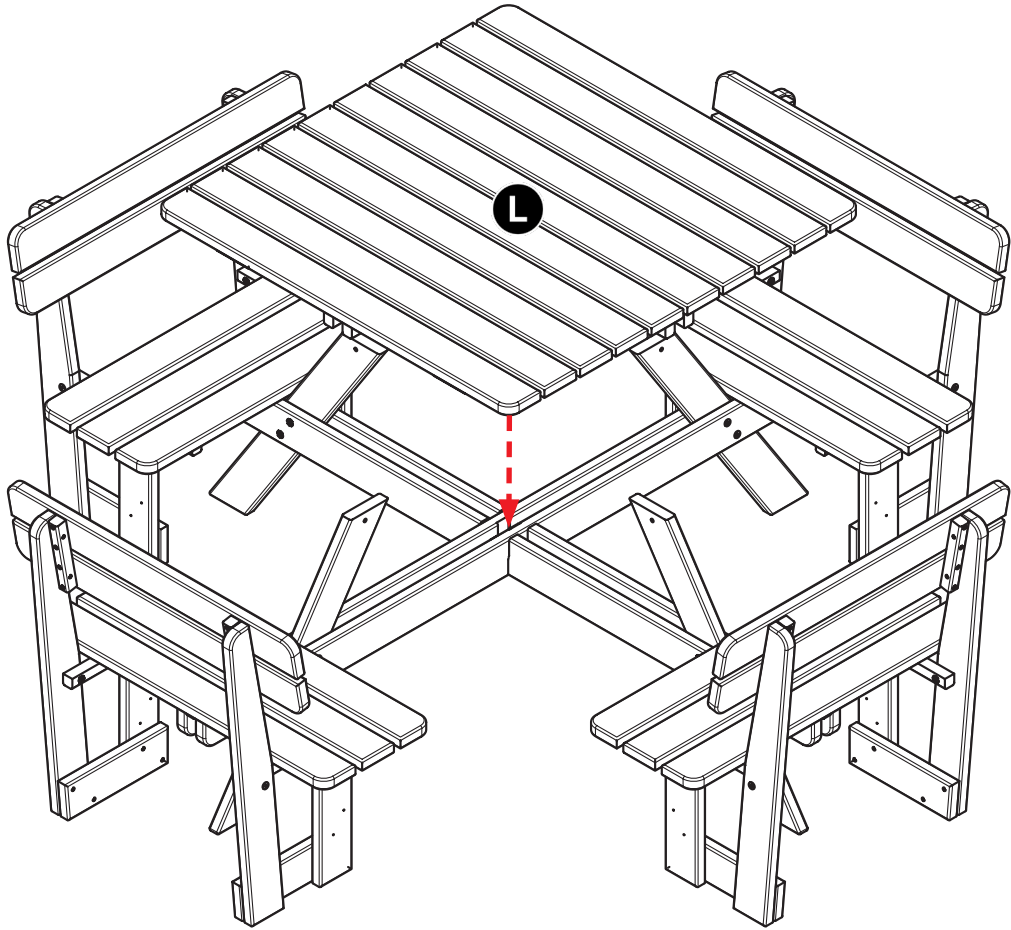
7

55mm x4

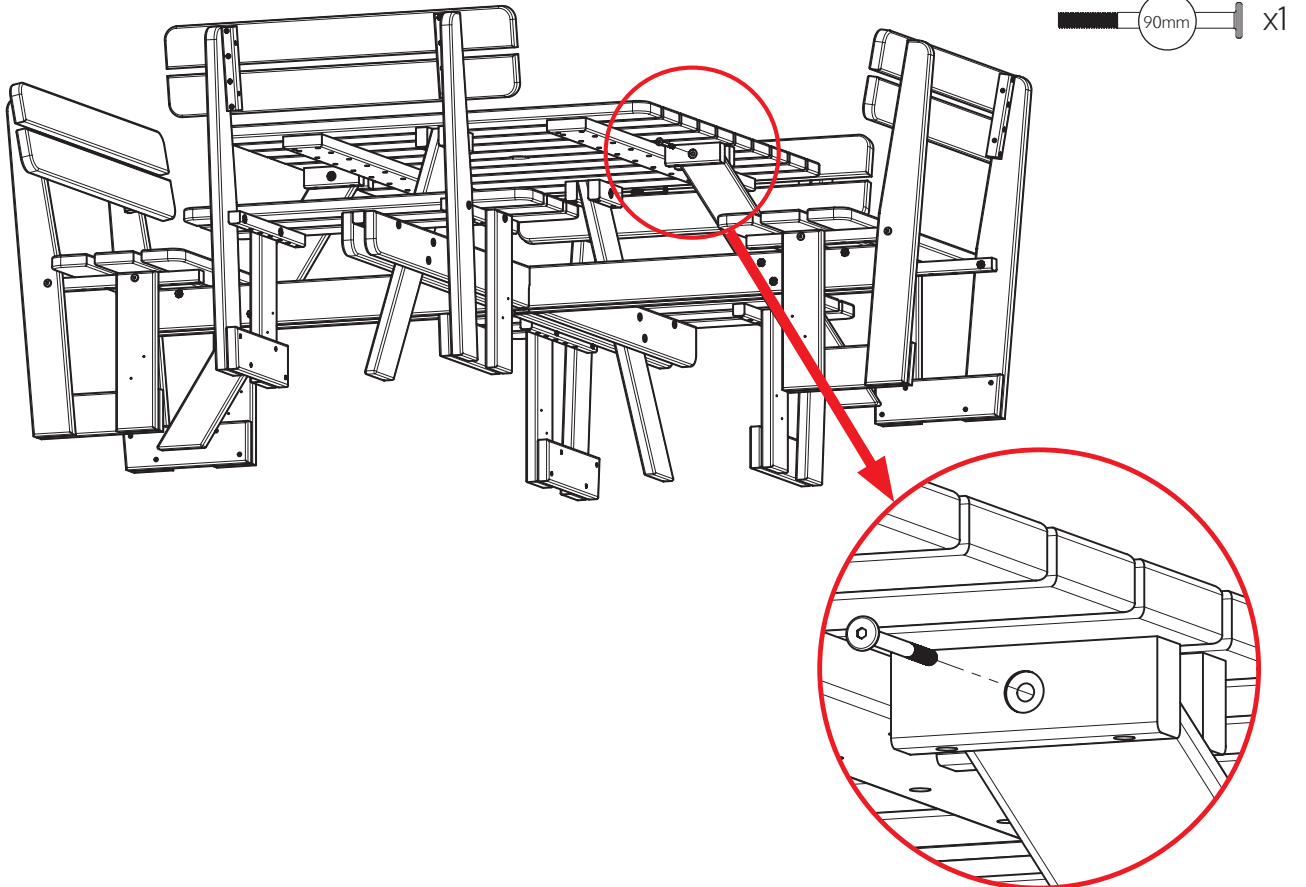


Repeat step 3 - 7 three more times on each end

8



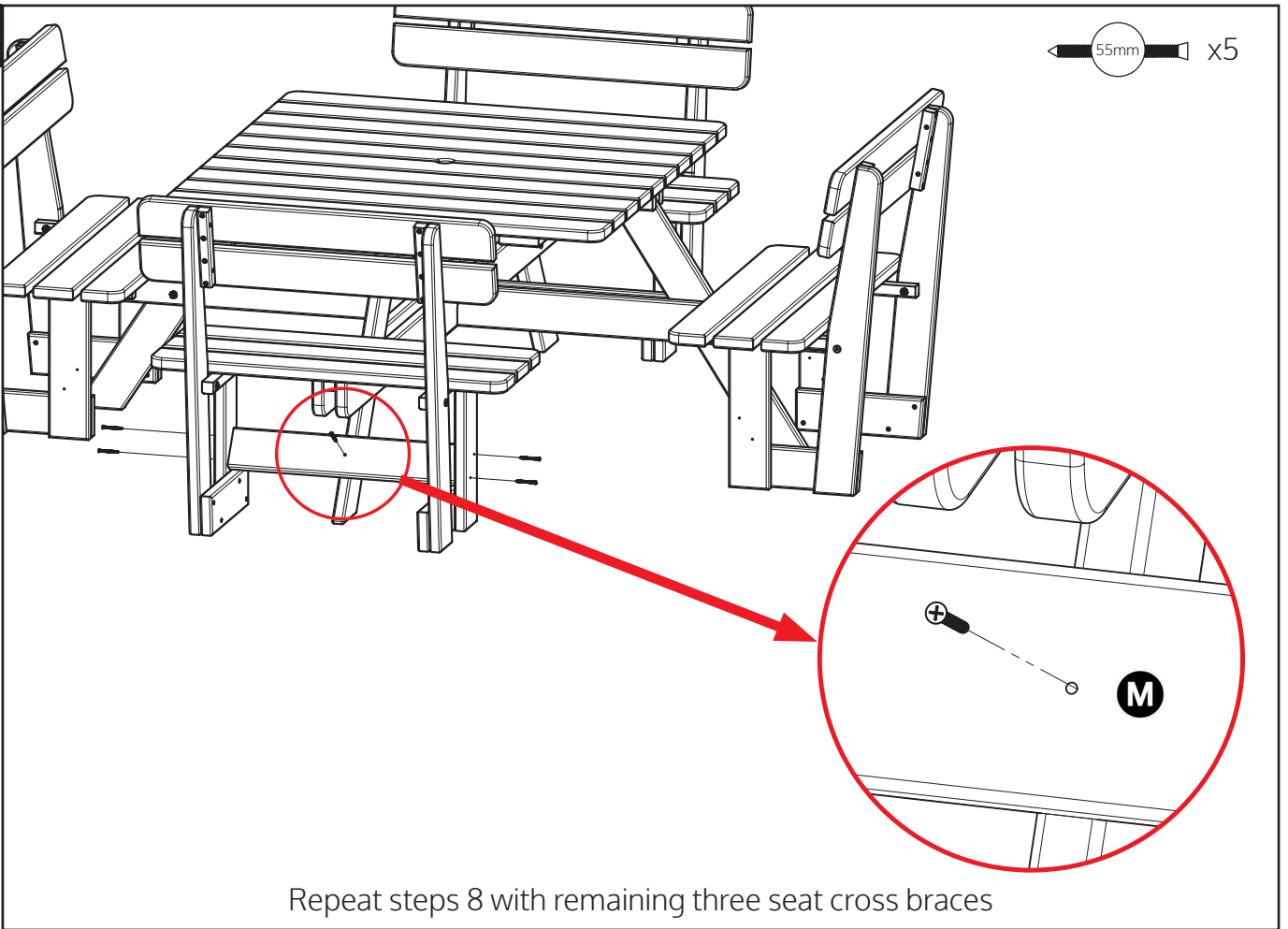
9



Repeat three more times for remaining bolt holes

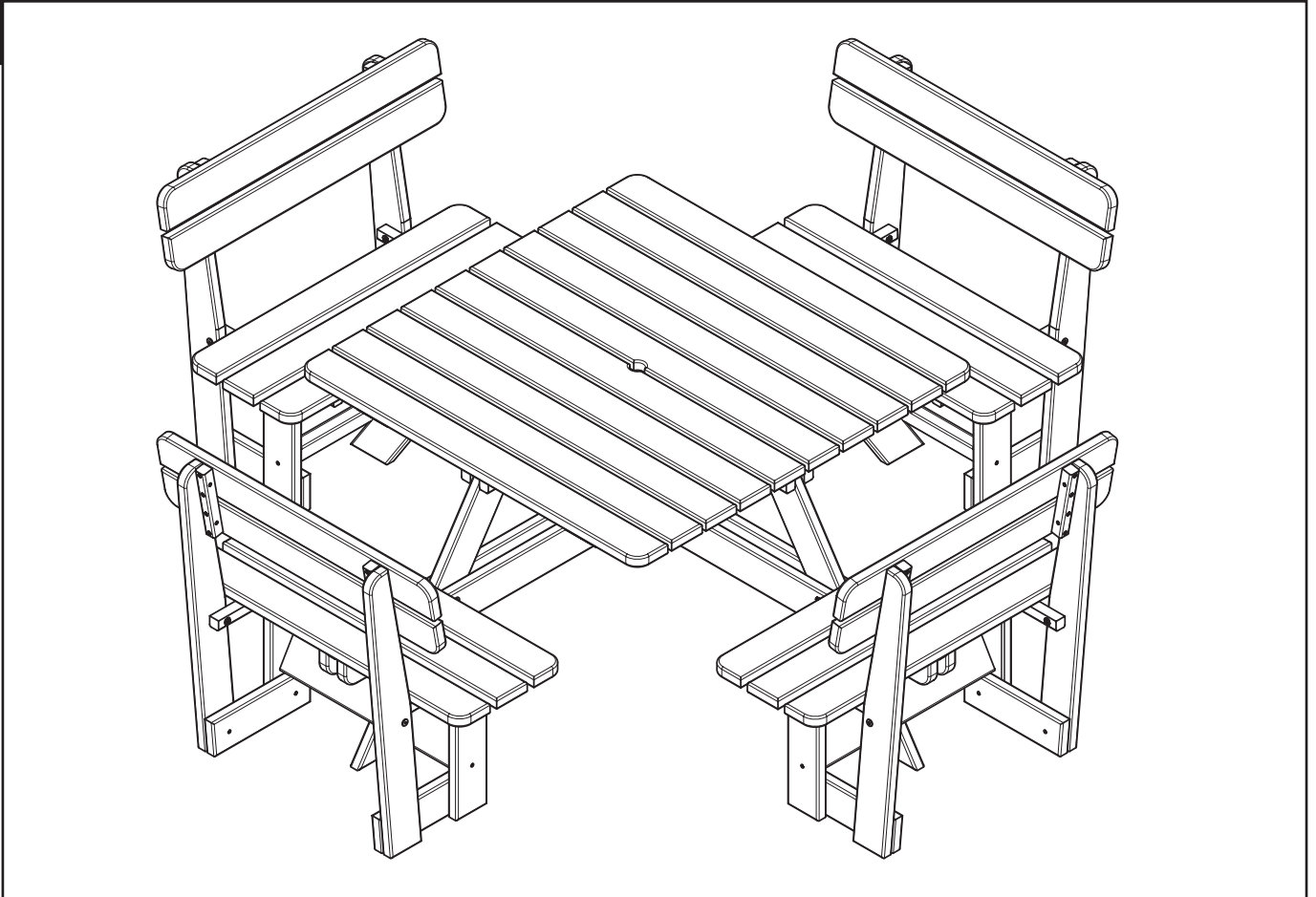
8

55mm x5



Repeat steps 8 with remaining three seat cross braces

9



Your Square Picnic Table is now complete.