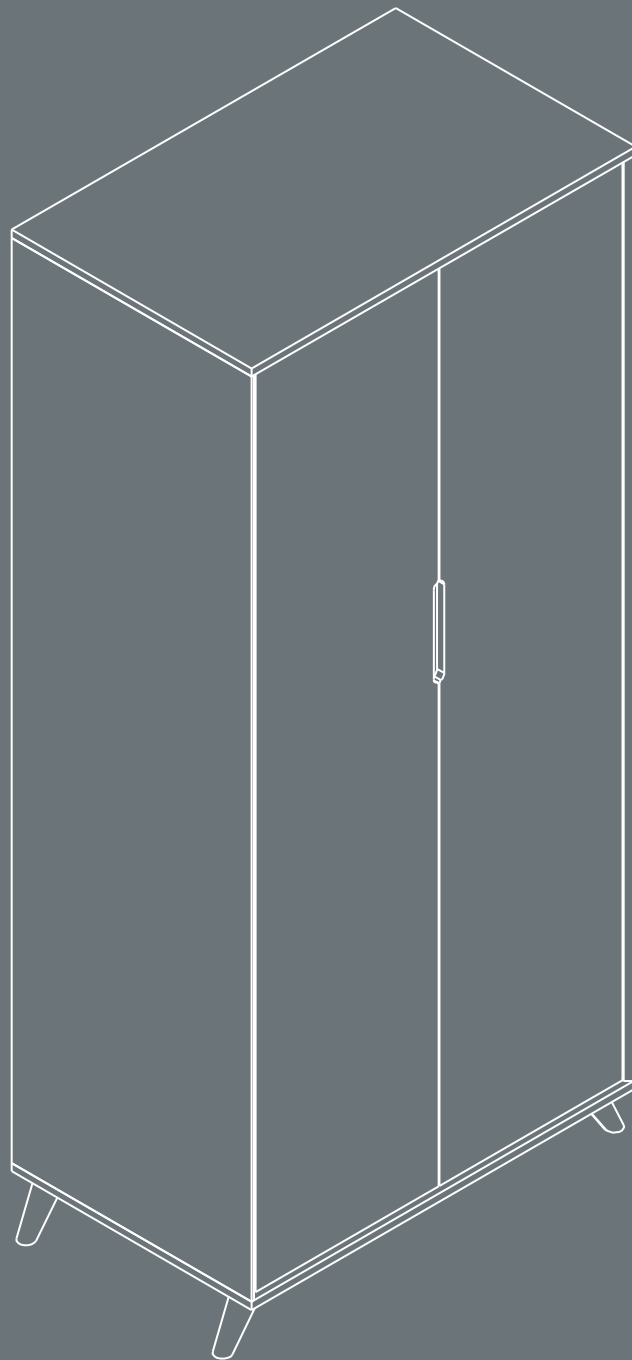


Fika

Wardrobe



IMPORTANT:RETAIN FOR FUTURE REFERENCE.

READ CAREFULLY

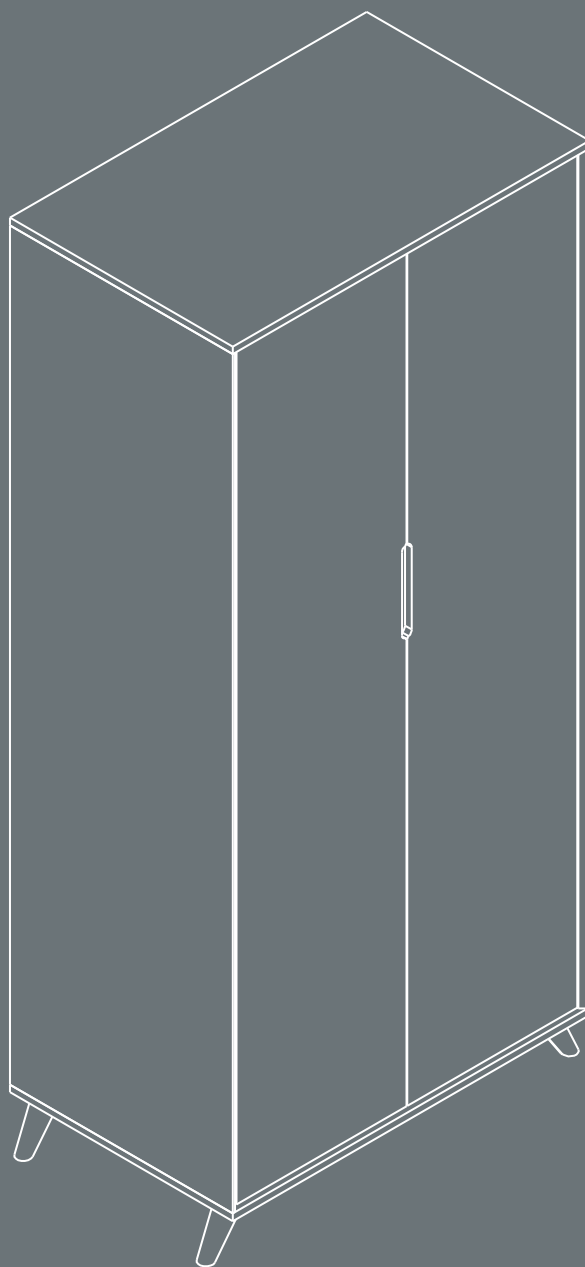
Assembly Instructions

Conforms to EN 14749:2016+A1:2021
Tutti Bambini. 1068 High Road, Whetstone, London, N20 0QP
t: +44(0)208 368 5800
e: support@tuttibambini.com
www.tuttibambini.com

Fika

Wardrobe

211348



IMPORTANT:RETAIN FOR FUTURE REFERENCE.
READ CAREFULLY

Hello,

PLEASE READ THIS LEAFLET BEFORE ASSEMBLY

Dear Customer,

Thank you for buying Tutti Bambini furniture. Follow the instructions carefully and check that you have all the elements including the fittings before attempting assembly. If there are any missing or damaged parts, please inform us before you start the assembly. **WARNING:** installation shall be carried out exactly according to the manufacturer's instructions otherwise a safety risk can occur if incorrectly installed. Please note that incorrect assembly of your furniture will not be a basis for a claim against the product being damaged.

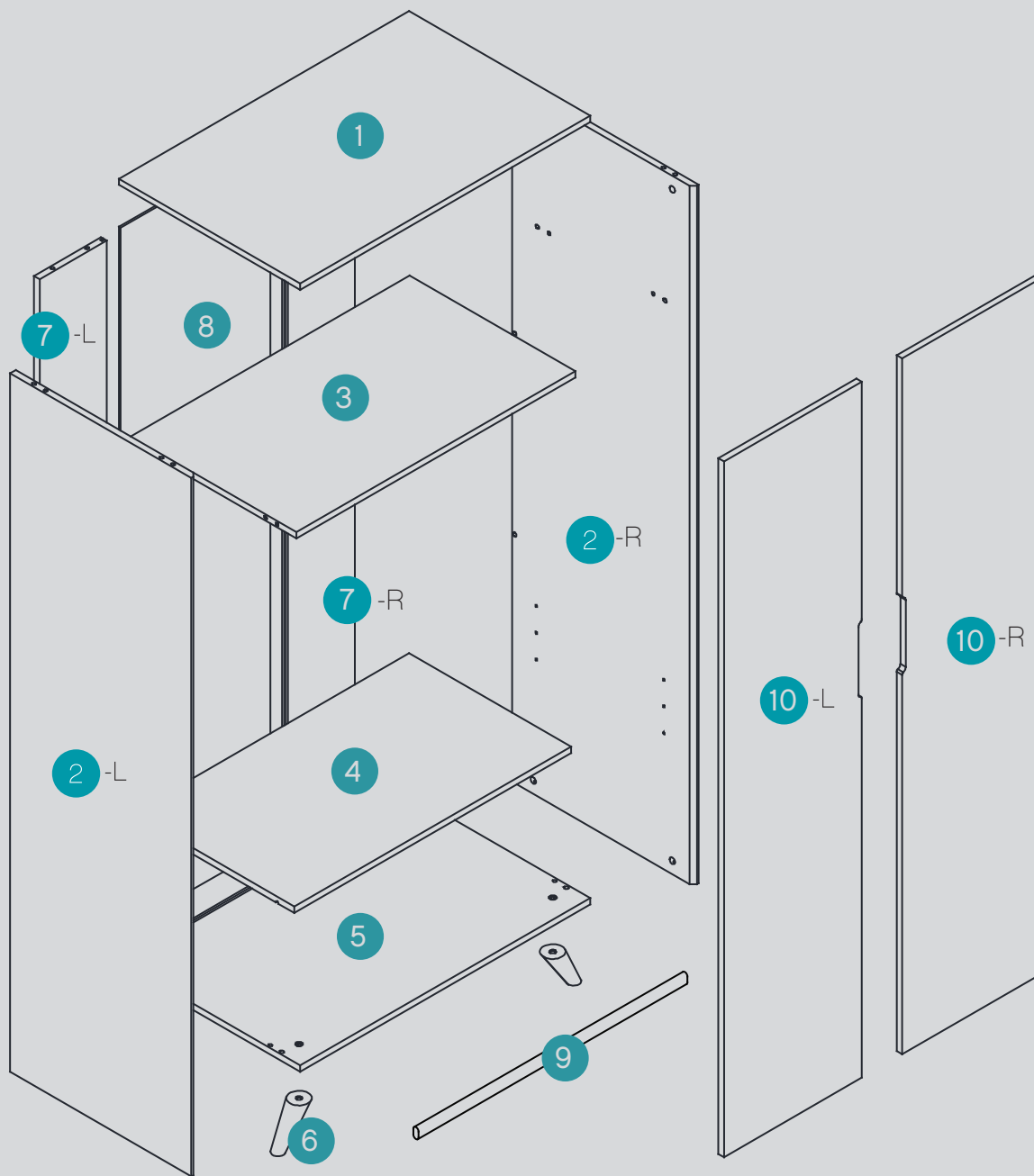
In the unlikely event that your furniture is found to be faulty, we ask that you send an email to: support@tuttibambini.com with the following information that can be found on the white label on the outside parcel.

- Name
- Postcode
- Contact telephone number
- Sales order number (found on white label)
 - Product name & colour
 - Damaged part number
- A photo or video of the damaged part

Tutti Bambini guarantee your product against faulty manufacture for a period of 12 months from date of receipt of purchase. This does not affect your statutory rights

Team Tutti

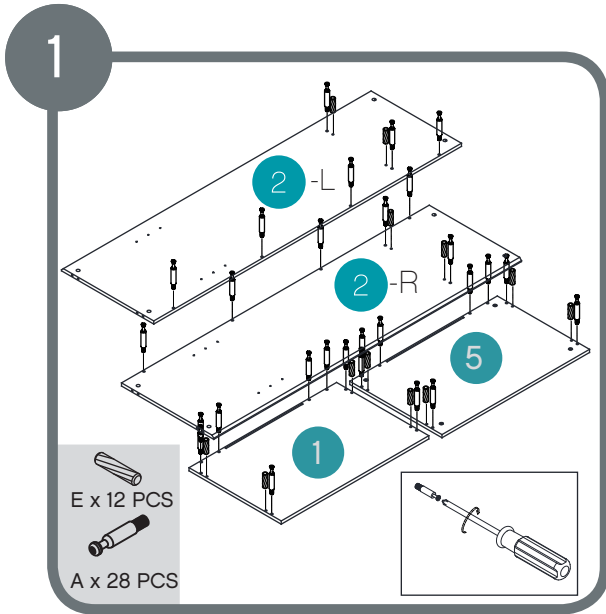
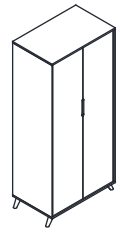
Parts List



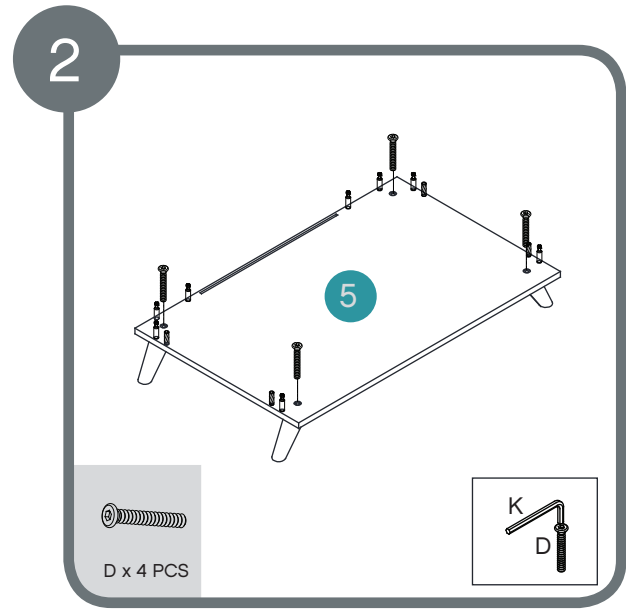
Hardware List

ID# A	 1pc for replacement 6.5x40mm	Qty 29 pc	ID# E	 8x40mm	Qty 12 pc	ID# J	 200x30mm	Qty 1 pc
ID# B	 2pc for replacement 15x11.5mm	Qty 30 pc	ID# F	 x6	Qty 8 pc	ID# K		Qty 1 pc
ID# C	 Ø4x12mm	Qty 8 pc	ID# G	 4x16mm	Qty 1 pc	ID# L	 x2 Ø3.5x14mm	Qty 2 pc
ID# D	 M6x30mm	Qty 4 pc	ID# H	 10/6mm	Qty 2 pc	ID# M	 Ø5x18mm	Qty 4 pc

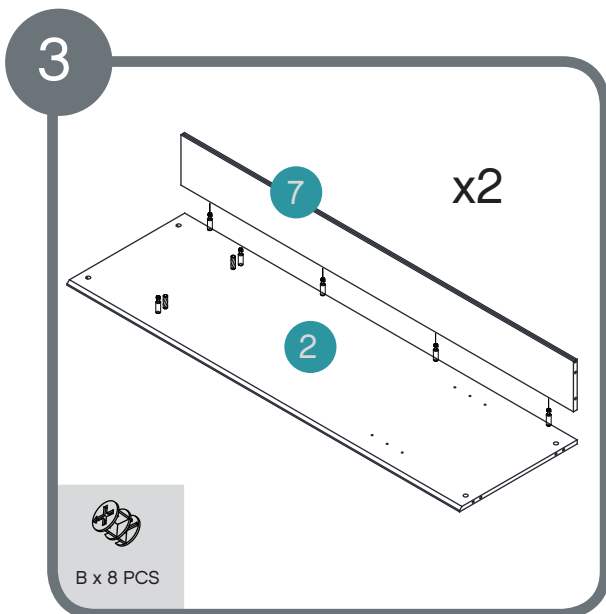
Assembling into wardrobe



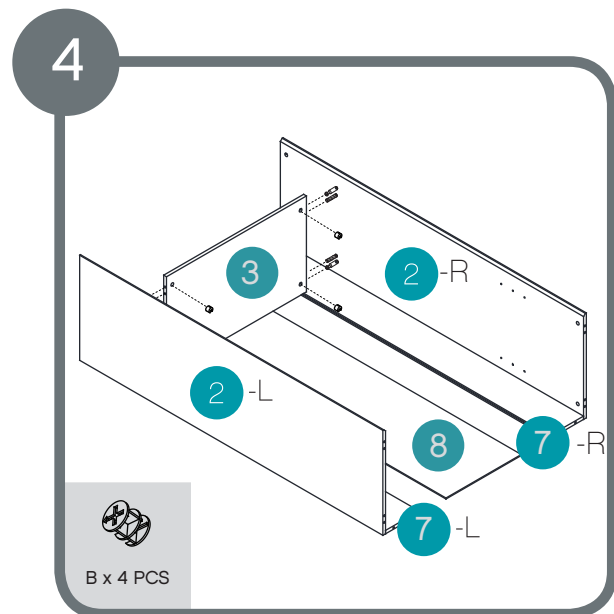
Assemble metal dowels A x 28.
Assemble wooden dowels E x 12.



Assemble foot using 4 x D bolts

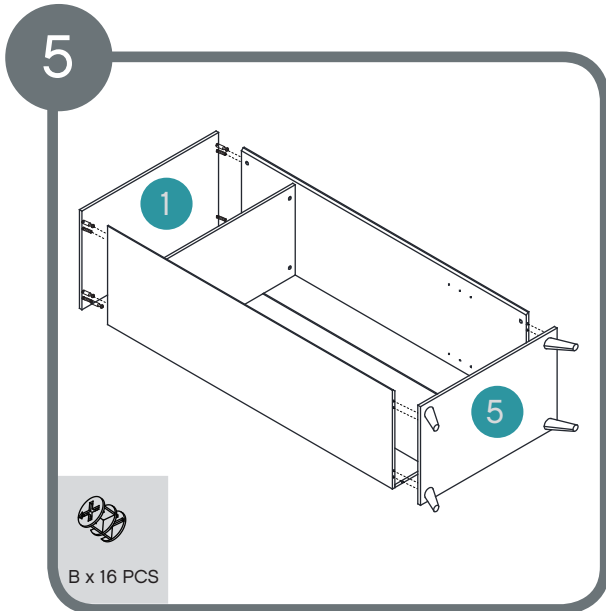
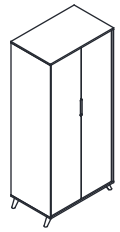


Assemble locking nuts 8 x B.

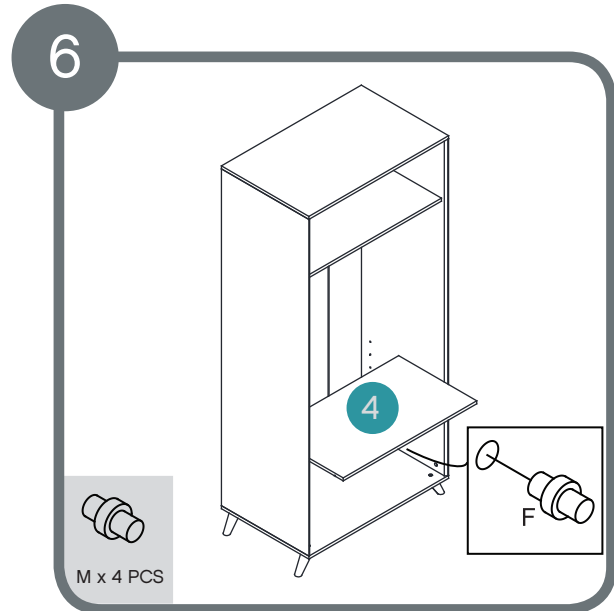


Assemble locking nuts 4 x B.

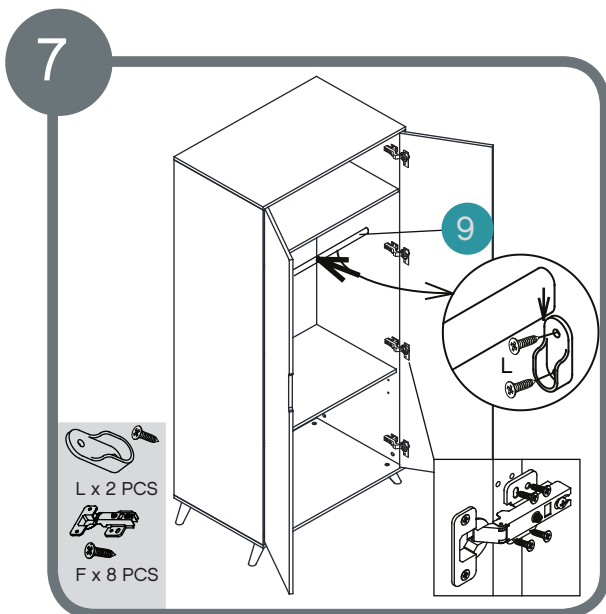
Assembling into wardrobe



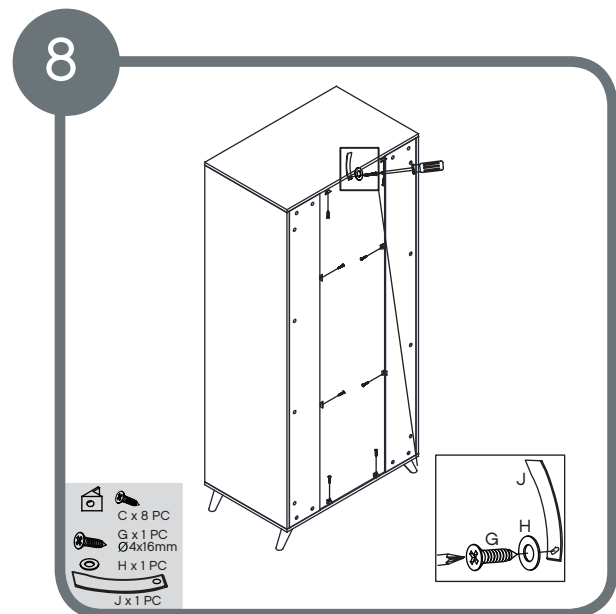
Assemble locking nuts 16 x B.
With two people, tilt wardrobe gently to upright position



Assemble shelf supports M to the side,
then put the shelf on the shelf support.

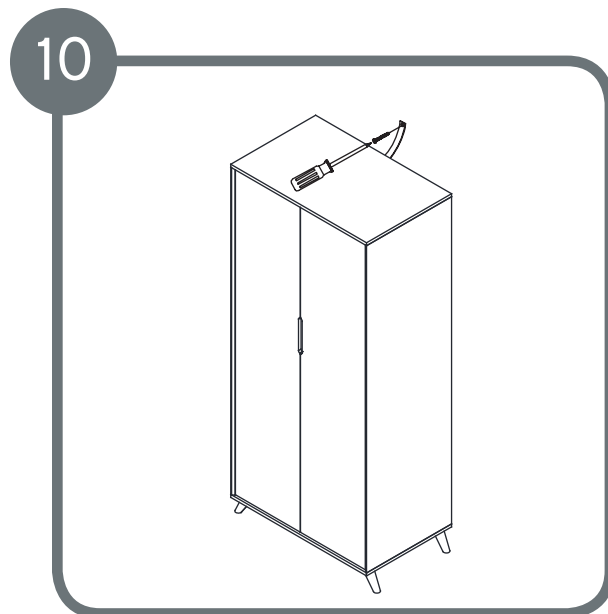
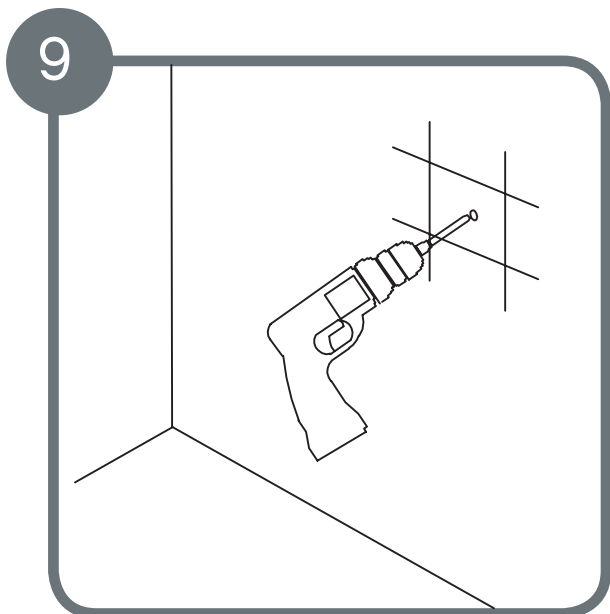
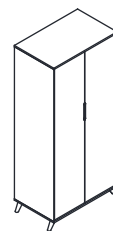


Assemble doors to side using door hinges 8 x F
Assemble hang rail to side using 2 x L



Assemble anti falling hardware G x 1, H x 1,
J x 1. Assemble back panel buckle C x 8

Assembling into wardrobe



Fittings to attach the strap to the wall are not provided and suitable fittings for the wall type should be used.

Safety advice and maintenance

IMPORTANT! KEEP FOR FUTURE REFERENCE: READ CAREFULLY

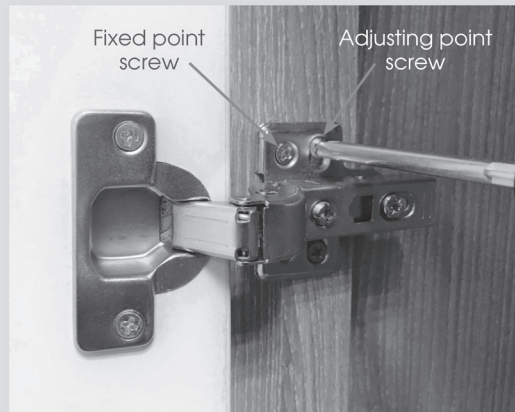
1. WARNING: Never leave your child unattended. The safety of your child is your responsibility.
2. WARNING: Do not allow children to climb on the chest changer..
3. WARNING: Never leave your child unattended on the chest changer.
4. WARNING: Do not use the chest changer if it is damaged or broken or there are parts missing.
Use only spare parts approved by Tutti Bambini.
5. WARNING: Do not place the chest changer near the vicinity of open fires or other surfaces of strong heat, such as gas or electric fires.
6. Always leave the chest changer clean and dry. Wipe away any spillage straight away. The chest changer may be cleaned with a damp cloth. Do not use aggressive cleaning agents such as bleach or strong detergents.
7. Check on a regular basis that all fittings and screws are correctly tightened and are not damaged. Loose screws can pinch parts of the body and clothing resulting in the risk of strangulation.
8. Do not twist or pivot the chest changer, if it is to be moved always lift with two people.
9. Maximum weight of the child 11kg or maximum age to 12 months.
10. A changing pad is not supplied with this chest. A changing pad no more than 475*770*20mm can be purchased from specialist baby stores and for the use of the unit as a babychanger. Changing pad within the barrier located at the top of the changer.
11. WARNING: In order to prevent overturning this product must be used with the wall attachment device provided.
12. Any additional or replacement parts are obtained from the Tutti Bambini or its distributor.

Product development dictates that components may occasionally differ from the ones shown in the diagrams of these instructions. The right to change the specifications and design of the furniture without prior notice remains with the manufacturer.

Guarantee

All our products are produced from the finest quality materials and are manufactured under the strictest quality controls. We guarantee all our products or parts thereof against faulty manufacture for a period of one year from date of purchase. This guarantee is not effective against accidental damage or damage caused by incorrect use or neglect. This does not affect your statutory rights.

HINGE ADJUSTMENT INSTRUCTIONS



MOVING DOOR UP OR DOWN

Loosen top and bottom adjusting point screw on all hinges, push hinge up or down depending on door alignment then tighten screws and add fixed point screws.



MOVE DOOR LEFT TO RIGHT

Turn adjusting screw clockwise to move door to the right. Turn screw anticlockwise to move door to the left.



MOVING DOOR IN OR OUT

Loosen screw on all hinges, move door to desired point, then tighten all screws.

www.tuttibambini.com

Follow us    

TUTTI
bambini 

Join Us



Follow us on Facebook
TuttiBambiniUK



Follow us on Twitter
TuttiBambiniUK



Follow us on Instagram
TuttiBambiniUK



www.tuttibambini.com