



Outdoor Patio Heater

ITM./ART. 924792

Model # LIP-10-TGG A2 LED
60951

**ASSEMBLY AND/OR CARE & USE INSTRUCTIONS
IMPORTANT, RETAIN FOR FUTURE REFERENCE: READ
CAREFULLY.**



DANGER

FOR YOUR SAFETY: If you smell gas:
1. Shut off gas to the appliance.
2. Extinguish any open flame.
3. If odor continues, keep away from the appliance and immediately call your gas supplier or fire department.

WARNING

Do not store or use gasoline or other flammable vapors and liquids in the vicinity of this or any other appliance. A gas cylinder not connected for use shall not be stored in the vicinity of this or any other appliance.

DANGER

DANGER indicates an imminently hazardous situation which, if not avoided, will result in death or serious injury.

WARNING

Improper installation, adjustment, alteration, service or maintenance can cause property damage, injury or death. Read the installation, operation and maintenance instructions thoroughly before installing or servicing this equipment.

DANGER

Failure to comply with the precautions and instructions provided with this heater can result in death, serious bodily injury and property loss or damage from hazards of fire, explosion, burn, asphyxiation, and/or carbon monoxide poisoning. Only persons who can understand and follow the instructions should use or service this heater.

WARNING

FOR OUTDOOR USE ONLY!

ATTENTION

If your patio heater model is equipped with a base weight/sand box, it is strongly recommended that you fill it with sand or fine gravel and attach it securely to the bottom of the heater. In windy conditions, store the heater in a protected area or otherwise secure it. Unsecured heaters can be blown over in moderate to high wind. Damage due to weather or acts of God is not covered under warranty.



ATTACH YOUR RECEIPT HERE

Keep a copy of your proof of purchase or order confirmation which will be needed if you need to contact us about warranty coverage.

Serial No. _____

Purchase Date _____

NOTE: A regulator to be used with Butane is included. Propane can be used with a regulator that can be purchased at an additional cost.



Questions, problems, missing parts?

Before returning to your retailer, our exceptional customer service is available. English & Spanish speaking.

Email cservice@welltraveled.net

Live Chat www.balkenehome.com 9 a.m. – 9 p.m., EST, Mon – Fri



TABLE OF CONTENTS

Before You Begin	Page 2
Safety Information	Page 3
Package Contents	Page 4
Hardware Contents	Page 4
Assembly	Page 5-9
Operating Instructions	Page 10-13
Care and Maintenance	Page 14
Troubleshooting	Page 15
Specifications/Table of Injector	Page 16
Replacement Parts List	Page 17
Warranty Information	Page 18



BEFORE YOU BEGIN

Please read and understand this entire manual before attempting to assemble, operate or install this appliance. If you have any questions regarding the product, please contact us:

Email cservice@welltraveled.net
 Live Chat www.balkenehome.com 9 a.m. – 9 p.m., EST, Mon – Fri
English & Spanish speaking.

This manual contains important information about the assembly, operation and maintenance of this patio heater. General safety information is presented in the first few pages and is also located throughout this manual. Keep this manual for future reference and to educate new users of this appliance. This manual should be read in conjunction with the labeling on the appliance. Safety precautions are essential when any mechanical or gas fuelled equipment is involved. These precautions are necessary when using, storing, and servicing. Using this appliance with the respect and caution demanded will reduce the possibilities of personal injury or property damage. The following symbols shown on page 3 are used extensively throughout this manual. Always heed these precautions, as they are essential when using any mechanical or gas fueled equipment.



DANGER

DANGER indicated an imminently hazardous situation which, if not avoided, will cause death or serious injury.

DANGER

EXPLOSION—FIRE HAZARD

- Keep solid combustibles, such as building materials, paper, or cardboard a safe distance away from the heater as recommended by the instructions.
- Provide adequate clearances around air openings into the combustion chamber.
- Never use the heater in spaces which do or may contain volatile or airborne combustibles, or products such as gasoline, solvents, paint thinner, dust particles, or unknown chemicals.
- During operation, this appliance can be a source of ignition. Keep heater area clear and free from combustible materials, gasoline, paint thinner, cleaning solvents and other flammable vapours and liquids. Do not use heater in areas with high dust content. Minimum heater clearances from combustible materials: 91.44 cm / 36 in from top and 60.96 cm / 24 in from sides.
- Never store gas near high heat, open flames, pilot lights, direct sunlight, other ignition sources or where temperatures exceed 120 degrees F (49 degrees C).
- Gas vapours are heavier than air and can accumulate in low places. If you smell gas, leave the area immediately.
- Never install or remove a gas cylinder while the heater is lighted, near flame, pilot lights, or other ignition sources or while heater is hot to the touch.
- This heater is red hot during use and can ignite flammables too close to the burner. Keep flammables at least 91.44 cm / 36 in from top and 60.96 cm / 24 in from sides. Keep gasoline and other flammable liquids and vapours well away from heater.
- Store the gas cylinder outdoors in a well ventilated space out of the reach of children. Never store the gas cylinder in an enclosed area (house, garage, etc.). If heater is to be stored indoors, disconnect the gas cylinder for outdoor storage.

DANGER

CARBON MONOXIDE HAZARD

- This heater is a combustion appliance. All combustion appliances produce carbon monoxide (CO) during the combustion process. This product is designed to produce extremely minute, non-hazardous amounts of CO if used and maintained in accordance with all warnings and instructions. Do not block the air flow into or out of the heater.
- Carbon Monoxide (CO) poisoning produces flu-like symptoms, water eyes, headaches, dizziness, fatigue, and possibly death. You can't see and you can't smell it. It is an invisible killer. If these symptoms are present during operation of this product, get fresh air immediately!
- For outdoor use only.
- Never use inside house or other unventilated or enclosed areas.
- This heater consumes air (oxygen). Do not use in unventilated or enclosed areas to avoid endangering your life.

WARNING

WARNING indicates an imminently hazardous situation which, if not avoided, will result in death or serious injury.

WARNING

BURN HAZARD

- Never leave heater unattended when hot or in use.
- Keep out of reach of children.

WARNING

Certain materials or items, when stored under the heater, will be subject to radiant heat and could be seriously damaged.

WARNING:

FOR OUTDOOR USE ONLY



CARBON MONOXIDE HAZARD

This appliance can produce carbon monoxide which has no odor. Using it in an enclosed space can kill you. Never use this appliance in an enclosed space such as a camper, tent or home.

WARNING

- This product is fueled by gas. Gas is invisible, odorless, and flammable. An odorant is normally added to help detect leaks and can be described as having a "rotten egg" smell. The odorant can fade over time so leaking gas is not always detectable by smell alone.
- Gas is heavier than air and leaking gas will sink to the lowest level possible. It can ignite by ignition sources including matches, lighters, sparks or open flames of any kind many feet away from the original leak. Use only gas set up for vapor withdrawal.
- Store to use gas in compliance with local ordinances and codes or with ANSI/NFPA 58. Turn off gas when not in use.
- Alert children and adults to the hazards of high surface temperatures. Stay away from these surfaces to avoid burning skin or igniting clothing.
- Carefully supervise young children when in the vicinity of the heater.
- Do not hang clothing or any other flammable materials from the heater, or place near the heater.
- Replace any guard or protective device removed for servicing the appliance prior to placing back in service.
- Installation and repair should be done by a qualified service person. The heater should be inspected before use and annually be a qualified service person. More frequent cleaning may be required as necessary. It is imperative that the control compartment, burners, and circulating air passageway of the appliance be kept clean.

CAUTION

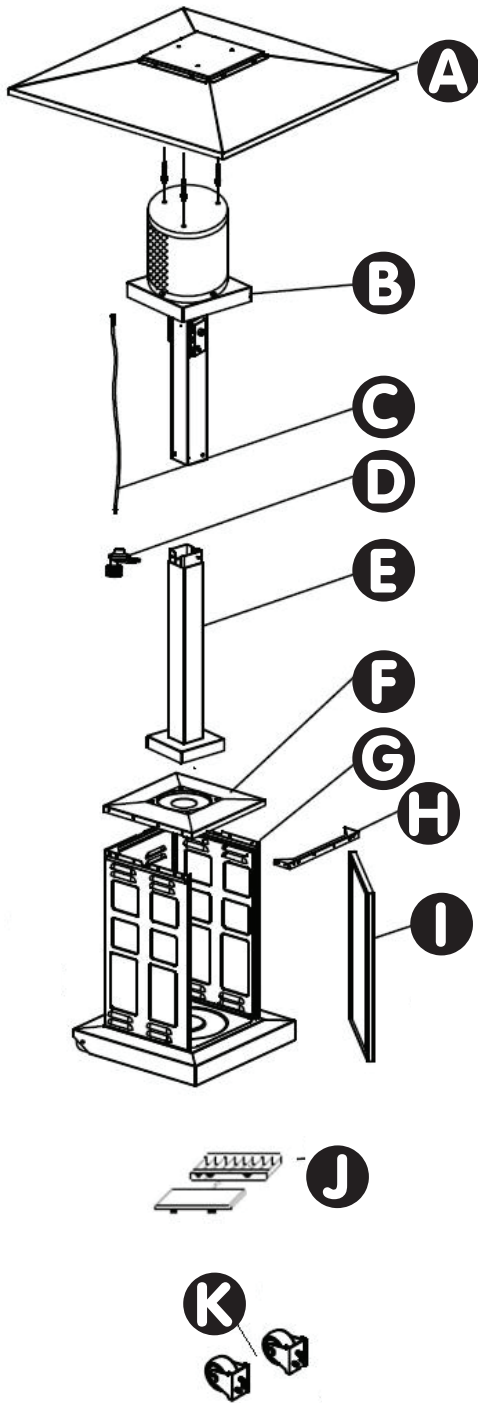
CAUTION indicates an imminently hazardous situation which, if not avoided, may result in minor or moderate personal injury, or property damage.

CAUTION

SERVICE SAFETY

- Keep all connections and fittings clean. Make sure gas cylinder valve outlet is clean.
- During set up, check all connections and fittings for leaks using soapy water, never use a flame to check for leaks.
- Use as a heating appliance only. Never alter in any way to use with any device.

PACKAGE CONTENTS



PART	DESCRIPTION	QUANTITY
A	Reflector Panel and Center Cap	5pcs packed in 2 inner cartons
B	Head and Upper Post Assembly	1
C	Gas Hose	1 attached to Head Assembly
D	Regulator (for use with BUTANE)	1 SEE NOTE BELOW
E	Lower Post	1
F	Post Support Plate	1 packed under Tank Housing Assembly
G*	Tank Housing Assembly*	1
H	Tank Housing Support Bar	1 contains 2-M4x10 countersunk screws
I	Tank Housing Door	1
J	LED Control Box	Pre-assembled on Tank Housing Door
K	Wheel Assembly	2

*Tank Housing Assembly comes with sand box pre-assembled under Base. See page 5 for use information.

NOTE: A regulator to be used with Butane is included. Propane can be used with a regulator that can be purchased at an additional cost.



HARDWARE CONTENTS



Bolt M8x16
Qty: 4
(Step 2)



Stud Bolt, M8x66
Qty: 3
Nut, M8
Qty: 6 (2 on each bolt)
(Step 8)



Bolt M4x10
Qty: 12
(Step 3)



Wing Nut
Qty: 3
(Step 8)



Bolt, M6x12
Lock Washer M6
Qty: 4
(Step 6)



Washer, M8
Qty: 7
(Step 2 and 8)



Countersunk Head Screws
Qty: 2
(Pre-Assembled in Tank Housing Support Bar)



Bolt/Lock Washer/Nut M6
Qty: 6
(Step 1: Pre-assembled in Wheels)



PREPARATION

Before beginning assembly of this appliance, make sure all parts are present. Compare all parts with package contents list and hardware contents as listed on page 4 of this manual. If any part is missing or damaged, do not attempt to assemble this product. Contact Customer Service for replacement parts.

ESTIMATED ASSEMBLY TIME: 60 minutes

Tools Required for Assembly (NOT included):

- Phillips screwdriver w/medium blade
- Leak test solution (see page 11)
- Adjustable wrench (2) (**NOTE:** 10mm wrench or socket should fit M6 bolt; 13mm wrench or socket should fit M8 bolt)

NOTE: This heater has an Electronic Ignition and will require the installation of 1-AAA battery. The battery should be installed by unscrewing the **RED IGNITER BUTTON**. The LED control box also requires the use of 8-AA batteries.

BATTERIES ARE NOT INCLUDED.

1 Locate **Tank Housing Assembly** **G** and **Tank Housing Support Bar** **H**. Attach **Tank Housing Support Bar** to the top front edge of the **Tank Housing Assembly** with 2x **M4x10 Countersunk Head Screws** (screws come pre-assembled in the Tank Housing Support Bar.)



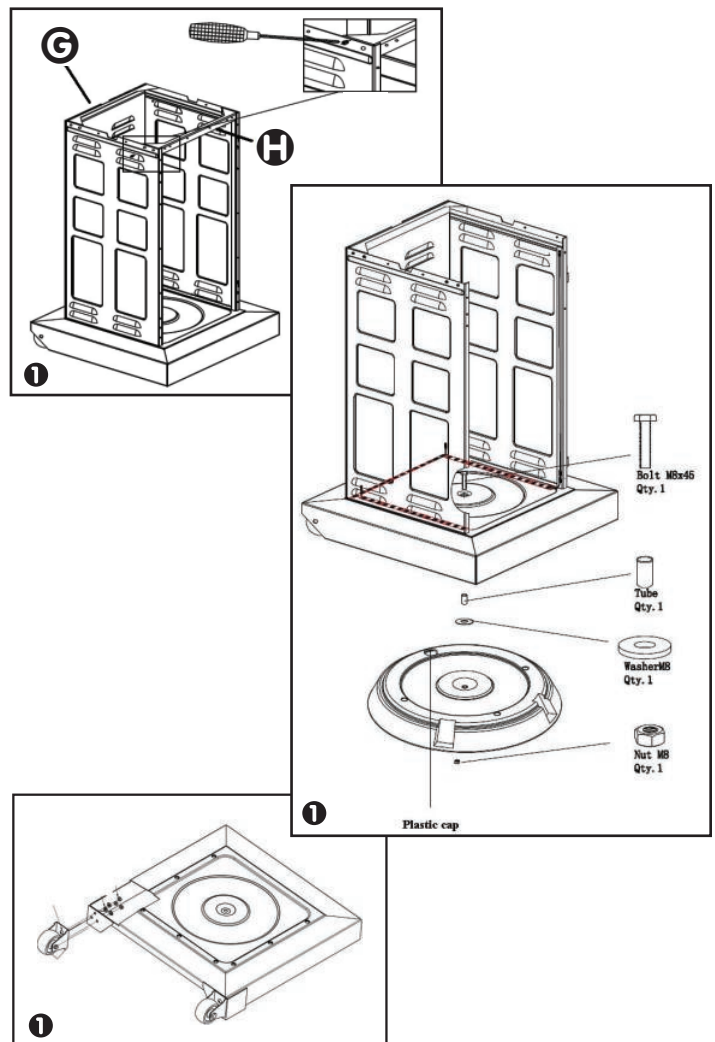
Hardware Used: 2x Countersunk Head Screw M4x10

Sand box assembly: The sand box will come pre-assembled under the base of the heater. To fill the sand box, loosen the hardware and remove the sand box. Then remove the plastic cap and fill with sand or fine gravel. Replace plastic cap. Slide Base down over sand box and insert M8X45 Bolt through hole in Base and into Tube and M8 Washer. Secure beneath sand box by tightening M8 Nut onto end of Bolt.

Attach Wheels to Base: Remove M6 Bolt/Lock Washer/Nut from each Wheel assembly. Align holes in Wheel Assembly with holes in Base. Insert M6 Bolt through holes and slide on Lock Washer. Secure with Nut. Hand tighten and then tighten with Wrench when both Wheels have been secured to base.



Hardware Used: 6 x Bolt/Lock Washer/Nut M6





2 Attach the **Lower Post E** to the **Post Support Plate F** using 4 **M8x16 Bolts** and 4 **M8 Washers**. (Note: Turn the post and support plate upside down to secure the bolts.) Align the **Post Support Plate** with the holes in the **Lower Post**, and insert 1 **M8x16 Bolt** through 1 **M8 Washer** and through the aligned holes. Tighten with a wrench.



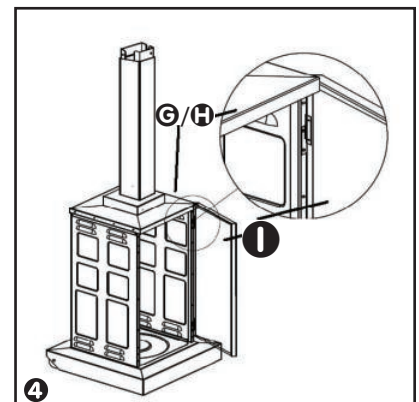
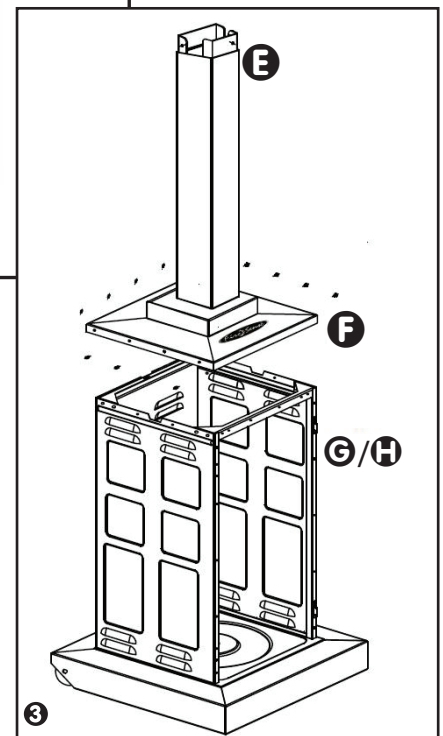
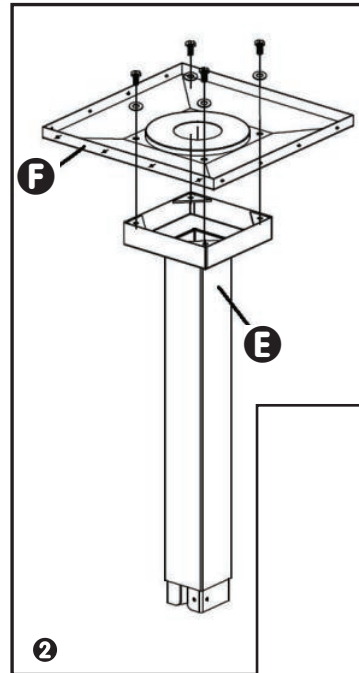
Hardware Used: 4x Bolt M8x16
4x Washer M8

3 Attach the **Post Support Plate F/Lower Post E** to the **Tank Housing Assembly G/H**. (NOTE: Make sure FireSense® logo is facing forward directly over the Tank Housing Support Bar.) Align the holes in the **Post Support Plate** with the holes in the top of the **Tank Housing Assembly** and insert a total of 12 **M4x10 Bolts** into the holes and loosely tighten. Once all bolts have been inserted, tighten with a wrench.



Hardware Used: 12x Bolt M4x10

4 Attach **Tank Housing Door I** to the **Tank Housing Assembly G** by sliding the pins on the side of the door into the hinges located on the right side of the **Tank Housing Assembly**. (NOTE: Make sure you hold door to the **SIDE** of the Tank Housing Assembly before trying to align pins. If you hold door to the **FRONT** of the Tank Housing Assembly, you will NOT be able to align pins correctly.)





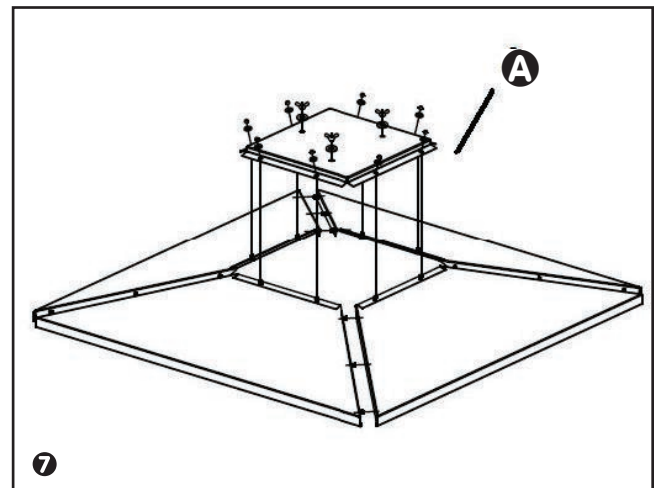
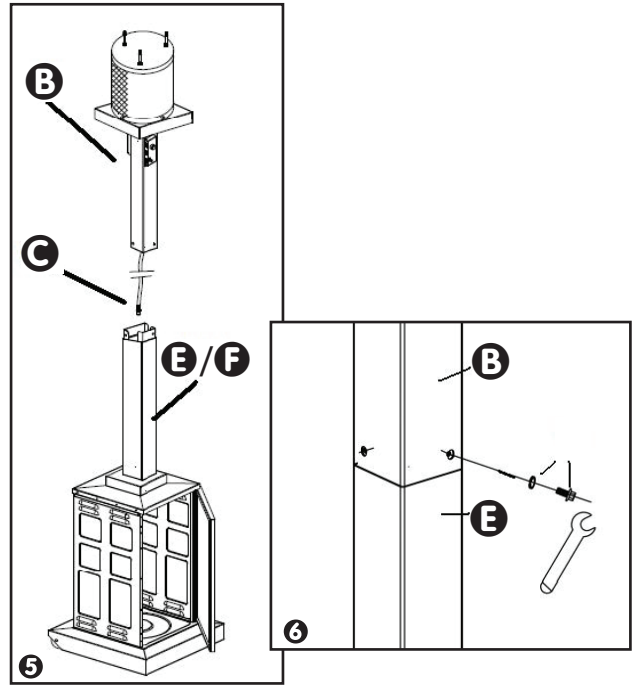
5 Carefully route the **Gas Hose C** that comes attached to **Head and Upper Post Assembly B** completely through the **Lower Post/Post Support Plate Assembly E/F**. (*Hint: Control knob on Head Assembly should be located over the Tank Housing Door.*)

6 Attach **Head Assembly and Upper Post Assembly B** to the **Lower Post E** by aligning the 4 small holes located on the Upper Post with the 4 small holes located on the **Lower Post**. Insert 4 **M6x12 Bolts** through 4 **M6 Lock Washers** and into holes and tighten with a wrench.



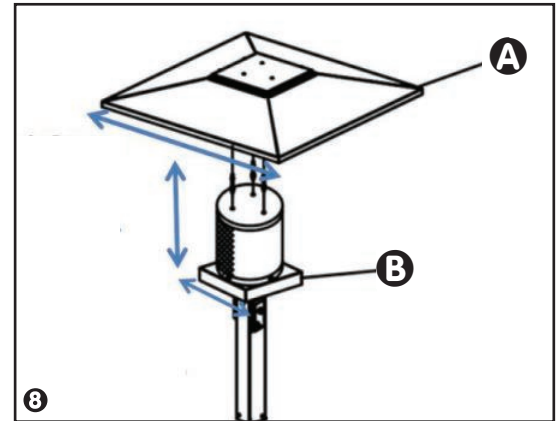
Hardware Used: 4x M6x12 Bolt and M6 Lock Washer

7 Assemble **Reflector Panels and Center Cap A**. **Reflector Panels and Center Cap** come packaged in two brown boxes with two panels in each box. Hardware for assembly is already affixed to each panel. Place two panels side by side and remove the two cap nuts and washers that are affixed to one panel. Insert the affixed bolts into the open holes on the adjacent panel. Place the washer over the bolt and screw on cap nut. Repeat these steps until all four panels are assembled. Then locate the Center Cap. You will need to remove the cap nuts and washers located at the top of each Reflector Panel to allow assembly of the Center Cap on each panel. Align the holes in the Center Cap with the bolts on each panel and affix washer and cap nut to complete assembly. (*Note: It is easiest to assemble reflector panels if you turn panels upside down and assemble on a soft surface. Once 4 panels are assembled, turn reflector right side up and then attach the cap.*)



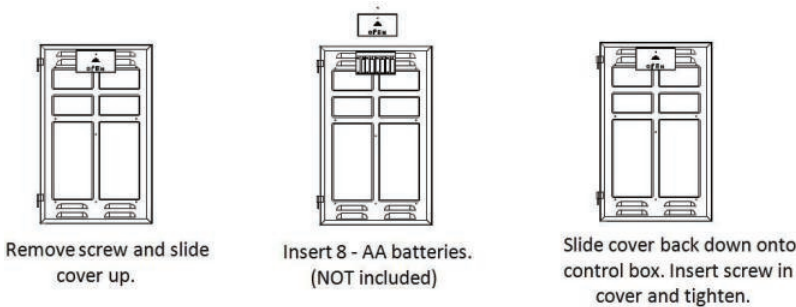
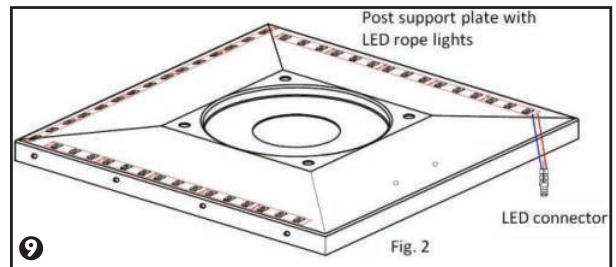
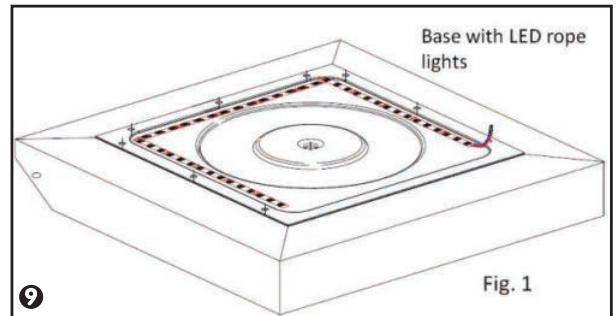


8 While supporting heater, tilt the **Head and Upper Post Assembly B** and screw in the 3 **M8x66 Stud Bolts** into the holes on top of the **Head Assembly**. Slide the assembled **Reflector A** over the 3 **Stud Bolts** that now extend from the **Head Assembly**. Use the 3 **M8 Wing Nuts** and 3 **M8 Washers** to secure the assembled **Reflector** to the **Head Assembly** of the heater. Once you have tightened the **Wing Nuts**, return the heater to an upright position. Make sure side of reflector is square with side of base of head assembly and also that holes in the center cap reflector align with Stud Bolts.

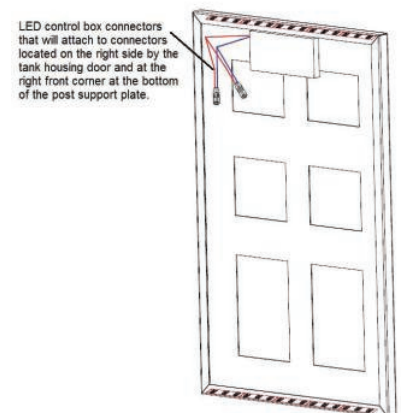


Hardware Used: 3x M8x66 Stud Bolts
6x Large Flat Washer | 3x Wing Nut

9 **Connecting the LED feature:** This heater comes equipped with LED rope lights preassembled in the base and **Post Support Plate F** (See Fig.1 and 2).



[NOTE: Before attaching the LED connectors to the LED control box, you must insert 8 - AA batteries (NOT included) by sliding the top of the LED control box off to release the top. Once the top is removed, insert the batteries and then replace the top by sliding it back down on the box.] Connect both sets of connectors and control LED feature with On/Off switch located on LED control box.



10 Connect the hose and regulator to the gas cylinder and place the tank into the tank housing. Gas cylinder is sold separately.

Warning: check the compatibility with the connections of equipment's fitted upstream (i.e. cylinder valve) and downstream (i.e. flexible hose) of the regulator.

1. Ensure the regulator is sealed and in its good condition of installation, safety and soundness conditions.

NO ATTEMPT SHOULD BE MADE TO ADJUST THIS SETTING.

If you have any problems connecting the regulator to your cylinder, contact your local gas supplier at once. Device shall be positioned or protected against direct penetration by any trickling water, rain, snow, etc.

In normal conditions of use, in order to ensure the correct operation of the installation, it is recommended that this regulator is changed within 10 years of the date of manufacture.

Do not move the cylinder during operation.

This regulator is not for use in caravans and motor caravans.

2. Fitting the Hose

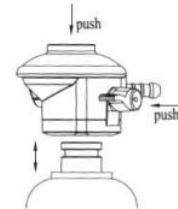
Before connecting the regulator onto the cylinder valve, take care to fix the supplied flexible gas hose to the barbed stem (the latter should be lubricated with some water or liquid soap to facilitate insertion.) To guarantee a sound connection, use a jubilee hose clip, which is usually together with the hose and the clips are standardized.

3. Mounting the Regulator onto the Gas Cylinder

Ensure all taps on the gas appliances are closed.

Ensure the connecting hose is correctly fitted.

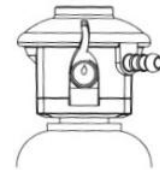
Make sure the regulator is in the closed position with the tap pointing leftwards:



When installing, please press down the regulator into the cylinder valve until the black knob pops up.

When exchanging, please press the black knob and pull up the regulator.

When using, please turn the knob 90° clockwise to place regulator in the gas-flow state:



Once the regulator is correctly mounted on the cylinder valve, gas should flow through the regulator to the outlet hose.

4. Replacing the Gas Cylinder

Turning off the "Clip-on" will disconnect the regulator from the cylinder valve.



Technical Data

Gas Type: Butane or Propane (note: the regulator provided is for BUTANE)

Maximum Inlet Pressure: 16bar

Nominal Outlet Pressure (Butane/Propane): 28-30/37mbar

Capacity: 1.5kg/h

Temperature Limitation: -20°C to 50°C

Inlet connection: Quick connection G59

Outlet connection: Non thread hose connection

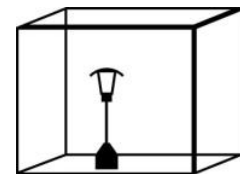
Reference standard: EN 12864

The pressure regulator and hose assembly supplied with the appliance must be used.

- The installation must conform to local codes, or in the absence of local codes, with the standard for the storage and handling of liquid petroleum gases.
- A dented, rusted or damaged tank may be hazardous and should be checked by your tank supplier. Never use a tank with a damaged valve connection.
- The tank must be arranged to provide for vapor withdrawal from the operating cylinder.
- Never connect an unregulated tank to the heater.
- The tank must have a connection device compatible with the connection for the appliance.

- **For use outdoors or in amply ventilated areas.**
- **An amply ventilated area must have a minimum of 25 % of the surface area open.**
- **The surface area is the sum of the walls surface. (See figure)**

- Do not store a spare gas cylinder under or near this appliance.
- Never fill the cylinder beyond 80 percent full.
- Place the dust cap on the cylinder valve outlet whenever the cylinder is not in use. Only install the type of dust cap on the cylinder valve that is provided with the cylinder valve. Other types of caps or plugs may result in leakage of gas.





LEAK TEST

1. Make 2-3 oz. of leak test solution (one part liquid dish washing detergent and three parts water).
2. Apply several drops of solution where hose attaches to regulator.
3. Apply several drops of solution where regulator connects to cylinder.
4. Make sure all patio heater valves are OFF.
5. Turn cylinder valve ON.

WARNING

- Perform all leak tests outdoors.
- Extinguish all open flames.
- NEVER leak test when smoking
- Do not use heater until all connections have been leak tested and show no signs of leakage.

IF BUBBLES APPEAR AT ANY CONNECTION, THERE IS A LEAK.

1. Turn cylinder valve OFF.
2. If leak is detected at hose/regulator connection, tighten connection and perform another leak test. If bubbles continue to appear, contact customer service: cservice@welltraveled.net.
3. If leak is detected at regulator/cylinder valve connection, disconnect, reconnect, and perform another leak test. If you continue to see bubbles after several attempts, cylinder valve is defective. Contact customer service: cservice@welltraveled.net.

IF NO BUBBLES APPEAR AT ANY CONNECTION, THE CONNECTIONS ARE SECURE.

Note: Whenever gas connections are loosened or removed, you must perform a complete leak test.

WARNING: **FOR OUTDOOR USE ONLY**

CARBON MONOXIDE HAZARD

This appliance can produce carbon monoxide which has no odor. Using it in an enclosed space can kill you. Never use this appliance in an enclosed space such as a camper, tent or home.

Caution: Do not attempt to operate this appliance until you have read and understand all Safety Information in this manual and all assembly is complete and leak tests have been performed.

BEFORE TURNING GAS SUPPLY ON:

1. Your heater was designed and approved for **OUTDOOR use only**. Do NOT use it inside a building, garage, or any other enclosed area.
2. Make sure surrounding areas are free of combustible materials, gasoline, and other flammable vapors or liquids.
3. Ensure that there is no obstruction to air ventilation. Be sure all gas connections are tight and there are no leaks.
4. Be sure the cylinder cover is clear of debris. Be sure any component removed during assembly or servicing is replaced and fastened prior to starting.

BEFORE LIGHTING:

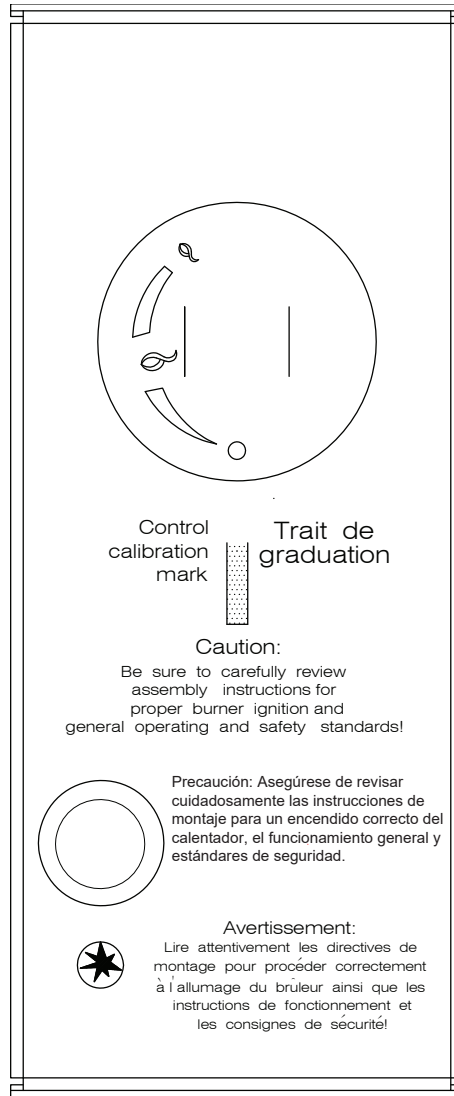
1. Heater should be thoroughly inspected before each use, and by a qualified service person at least annually. If re-lighting a hot heater, always wait at least 5 minutes.
2. Inspect the hose assembly for evidence of excessive abrasion, cuts, or wear. Suspected areas should be leak tested. If the hose leaks, it must be replaced prior to operation. Only use the replacement hose assembly specified by the manufacturer.



LIGHTING

NOTE: For initial start or after any cylinder change, hold the control knob in for 2 minutes to purge air from all gas lines before proceeding. **NOTE:** This heater has an Electronic Ignition and will require installation of 1 - AAA battery. The battery should be installed by unscrewing the RED IGNITER BUTTON.

1. Turn the control knob to the "OFF" position.
2. Fully open the LPG cylinder valve.
3. Turn the control knob counterclockwise to small flame symbol (MIN).
4. Push control knob in and then push the RED igniter button to ignite the main burner. Repeat until the burner ignites. Keep the control knob fully pushed in for an additional 10-20 seconds after the burner ignites, then release the control knob.
5. To increase the flame, turn the control knob clockwise toward the large flame symbol (MAX). To decrease the flame, turn the control knob counter clockwise towards the small flame symbol (MIN).
6. To turn the appliance OFF, turn the control knob clockwise to the OFF position.
7. Wait at least 5 minutes before attempting to re-light the heater.
8. Turn the gas cylinder valve to OFF or closed.



WARNING

FOR YOUR SAFETY
Be careful when attempting to manually ignite this heater. Holding in the control knob for more than 10 seconds before igniting the gas will cause a ball of flame upon ignition.

WHEN HEATER IS ON:

Emitter screen will become bright red due to intense heat. The color is more visible at night. Burner will display tongues of blue and yellow flames. These flames should not produce thick black smoke, indicating an obstruction of airflow through the burners. The flame should be blue with straight yellow tops. If excessive flame is detected, turn off heater and consult the "Troubleshooting" page.

RE-LIGHTING:

Note: For your safety, the control knob cannot be turned OFF without first depressing the control knob and then rotating to OFF.

1. Turn control knob to OFF.
2. Wait at least 5 minutes to allow gas to dissipate before re-lighting.
3. Repeat the "Lighting" steps listed above.

If you experience any ignition problems, please consult the "Troubleshooting" section of this manual.

Caution: Avoid inhaling fumes emitted from the heater's first use. Smoke and odor from the burning of oils used in the manufacturing will appear. Both smoke and odor will dissipate after approximately 30 minutes. The heater should NOT produce thick black smoke.



OPERATION CHECKLIST:

For a safe and pleasant heating experience, perform this check before each use:

BEFORE OPERATING:

- I am familiar with entire owner's manual and understand all precautions noted.
- All components are properly assembled, intact and operable.
- No alterations have been made.
- All gas connections are secure and do not leak.
- Wind velocity is below 10 mph.
- Unit will operate at reduced efficiency below 4.44° C / 40° F.
- Heater is for use outdoors (outside any enclosure).
- There is adequate fresh air ventilation.
- Heater is away from gasoline or other flammable liquids or vapors.
- Heater is away from windows, air intake openings, sprinklers and other water sources.
- Heater is at least 91.44 cm / 36 in on top and at least 60.96 cm / 24 in on sides from combustible materials.
- Heater is on a hard and level surface.
- There are no signs of spider or insect nests in heater orifices.
- All burner passages are clear.
- All air circulation passages are clear.
- Children and adults should be alerted to the hazards of high surface temperatures and should stay away to avoid burns or clothing ignition.
- Young children should be carefully supervised when they are in the area of the heater.
- Clothing or other protective material should not be hung from the heater, or placed on or near the heater.
- Any guard or other protective device removed for servicing the heater must be replaced prior to operating the heater.
- Installation and repair should be done by a qualified service person. The heater should be inspected before each use and at least annually by a qualified service person.
- More frequent cleaning may be required as necessary. It is imperative that control compartment burner and circulating air passageways of the heater be kept clean and free of debris and/or spider or insect nests.

OPERATION INFORMATION AND SAFETY:

- Unit will operate at reduced efficiency below 40° F.
- Children and adults should be alerted to the hazards of high surface temperatures and should stay away to avoid burns or clothing ignition.
- Young children should be carefully supervised when they are in the area of the heater.
- More frequent cleaning may be required as necessary. It is imperative that control compartment burner and circulating air passageways of the heater be kept clean and free of debris and/or spider or insect nests.

WARNING

FOR YOUR SAFETY
Heater will be hot after use. Handle with extreme care.



SHUT DOWN:

1. Turn control knob clockwise to OFF while depressing the knob. (Normally, burner will make a slight popping noise when extinguished).
2. Turn cylinder valve clockwise to OFF and disconnect regulator when heater is not in use.

NOTE: After use, some discoloration of the emitter screen is normal.



AFTER OPERATION:

1. Gas control knob is in OFF position.
2. Gas tank valve is OFF.
3. Disconnect gas line.
4. Heater is stored upright in a secure location.



To enjoy years of outstanding performance from your heater, make sure you perform the following maintenance activities on a regular basis:

KEEP EXTERIOR SURFACES CLEAN.

1. Use soapy water for cleaning. Never use flammable or corrosive cleaning agents.
2. While cleaning your unit, be sure to keep the area around the burner and control compartment dry at all times. Do not submerge the control valve assembly. If the gas control is submerged in water, do NOT use it. It must be replaced.
3. Air flow must be unobstructed. Keep controls, burner, and circulating air passageways clean. Signs of possible blockage include:
 - Gas odor with extreme yellow tipping of flame.
 - Heater does NOT reach the desired temperature.
 - Heater glow is excessively uneven.
 - Heater makes popping noise.
 - Spiders and insects can nest in burner or orifices. This dangerous condition can damage heater and render it unsafe for use. Clean burner holes by using a heavy-duty pipe cleaner. Compressed air may help clear away smaller particles.
 - Carbon deposits may create a fire hazard. Clean dome and burner screen with warm soapy water if any carbon deposits develop.

Note: *In a salt-air environment (such as near an ocean), corrosion occurs more quickly than normal. Frequently check for corroded areas and repair them promptly.*

WARNING

FOR YOUR SAFETY

- Do NOT touch or move heater for at least 45 minutes after use.
- Reflector is hot to the touch.
- Allow reflector to cool before touching.

STORAGE:

Between uses:

- Turn control knob OFF.
- Disconnect gas source.
- Store heater upright in an area sheltered from direct contact with inclement weather (such as rain, sleet, hail, snow, dust and debris).
- If desired, cover heater to protect exterior surfaces and to help prevent build-up in air passages. Never leave gas tank exposed to direct sunlight or excessive heat.

Note: Wait until heater is cool before covering.

SERVICE:

Only a qualified service person should repair gas passages and associated components.

Caution: *Always allow heater to cool before attempting service.*



PROBLEM	POSSIBLE CAUSE	CORRECTIVE ACTION
Main burner will not light	Gas valve may be off	Turn gas valve ON
	Fuel tank may be empty	Refill gas tank
	Orifice blocked	Clean or replace orifice
	Air in supply system	Purge air from lines. Open gas lines and depress control knob for 2-3 minutes.
	Loose connection	Check all fittings
	Igniter fails	Use stick lighter to manually light
	Gas pressure low with valve open full	Replace cylinder or regulator
	New cylinder or 1st ignition	Purge air from lines
	Cylinder valve on, no gas flow	Replace hose/regulator assembly
	AAA Battery behind igniter button is dead	Replace with a new AAA Battery
Low burner flame	Pressure is low	Replace gas tank
	Tank is low on fuel	Fill gas tank
	Gas hose is kinked	Check and straighten or replace
	Control knob at max	Check for obstruction at passageways and orifices
Burner unit	Carbon on reflector and emitter screen	Clean components as needed
	Thick black smoke	Blockage in burner assembly—thoroughly clean burner
LED Lights will not come on	Dead battery	Replace the AA batteries located in the LED control box



Questions, problems, missing parts?

Before returning to your retailer, our exceptional customer service is available. *English & Spanish speaking.*

Email cservice@welltraveled.net

Live Chat www.balkenehome.com 9 a.m. – 9 p.m., EST, Mon – Fri



Specifications

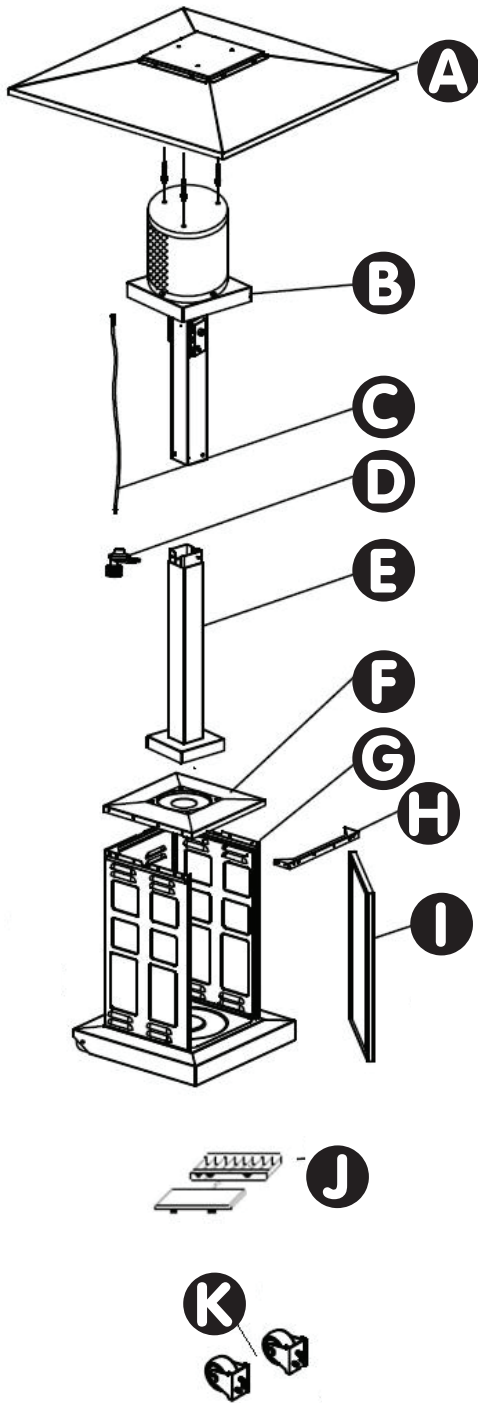
• Dimensions (H x W x D): 220.2 x 80 x 80cm

Model	Gas Categories	Pressure (mbar)	Country of Destination	Qn(Hs)		Maximum Consumption (g/h)
				Nominal Heat Input	Reduced Heat Input	
LIP-10-TGG	I3+	G30: 28-30 mbar G31: 37 mbar	BE, CH, CY CZ, ES, FR GB, GR, IT, IT LT, LU, LV, PT SK, SI	12.5 kW	5.05 kW	982 g/h
	I3B/P (50)	G30/G31: 50 mbar	AT, CH, DE, SK	12.5 kW	5.05 kW	982 g/h
	I3B/P (30)	G30/G31: 30 mbar	BE, CY, DK EE, FI, FR, HU IT, LT, NL, NO SE, SI, SK, RO HR, TR, BG, IS LU, MT	12.5 kW	5.05 kW	982 g/h
	I3B/P (37)	G30/G31: 37 mbar	PL	125 kW	5.05 kW	982 g/h

Table of Injector

Gas Categories	Usable Gases	Gas Adjustment	Injector
I3+	G30/G31	28 - 30/37 mbar	1.90 mm
I3B/P (50)	G30/G31	50 mbar	1.65 mm
I3B/P (30)	G30/G31	30 mbar	1.90 mm
I3B/P (37)	G30/G31	37 mbar	1.80 mm

PACKAGE CONTENTS



PART	DESCRIPTION	QUANTITY
A	Reflector Panel and Center Cap	5pcs packed in 2 inner cartons
B	Head and Upper Post Assembly	1
C	Gas Hose	1 attached to Head Assembly
D	Regulator (for use with BUTANE)	1 SEE NOTE BELOW
E	Lower Post	1
F	Post Support Plate	1 packed under Tank Housing Assembly
G*	Tank Housing Assembly*	1
H	Tank Housing Support Bar	1 contains 2-M4x10 countersunk screws
I	Tank Housing Door	1
J	LED Control Box	Pre-assembled on Tank Housing Door
K	Wheel Assembly	2

*Tank Housing Assembly comes with sand box pre-assembled under Base. See page 5 for use information.

NOTE: A regulator to be used with Butane is included. Propane can be used with a regulator that can be purchased at an additional cost.



HARDWARE CONTENTS



Bolt M8x16
Qty: 4
(Step 2)



Stud Bolt, M8x66
Qty: 3
Nut, M8
Qty: 6 (2 on each bolt)
(Step 8)



Bolt M4x10
Qty: 12
(Step 3)



Wing Nut
Qty: 3
(Step 8)



Bolt, M6x12
Lock Washer M6
Qty: 4
(Step 6)



Washer, M8
Qty: 7
(Step 2 and 8)



Countersunk Head Screws
Qty: 2
(Pre-Assembled in Tank Housing Support Bar)



Bolt/Lock Washer/Nut M6
Qty: 6
(Step 1: Pre-assembled in Wheels)



1 YEAR LIMITED WARRANTY

Customers in the Contiguous US

All components are warranted for a period of 1 year after date of purchase by the original owner against defects in materials and workmanship under normal use. This warranty does NOT cover normal wear and weathering, assembly and/or maintenance. At Well Traveled Living's sole discretion, products under warranty will be repaired and/or replaced at no charge to the customer. Any returns sent back to Well Traveled Living must be sent via prepaid freight and in the original retail packaging.

For warranty service contact Well Traveled Living at the address, phone numbers or internet site and email listed in this owner's manual. Be sure to have your sales receipt, date of purchase and catalogue/model numbers available when calling. All warranty service will be coordinated by the Well Traveled Living's, Amelia Island, Florida service center.

This warranty is extended only to the original purchaser. Proof of purchase will be required before warranty service is rendered. The sales receipt is the only valid proof of purchase. This warranty only covers failures due to defects in materials or workmanship which occur during normal use. Failures and/or damage which result from accident, negligence, misuse, abuse, neglect, mishandling, alteration or modification, failure to maintain, improper assembly or maintenance, service by unauthorized agency or use of unauthorized components or damage that is attributable to acts of God are NOT covered.

This limited warranty gives you specific legal rights and you may also have other rights which vary from jurisdiction to jurisdiction. The provisions of the United Nations Convention on Contracts for the Sales of Goods shall not apply to this limited warranty or the sale of products covered by this limited warranty.

- THERE ARE NO EXPRESS WARRANTIES EXCEPT AS LISTED ABOVE
- PURCHASER ASSUMES ALL RISKS IN THE ASSEMBLY AND OPERATION OF THIS UNIT
- FAILURE TO FOLLOW WARNINGS AND OPERATIONAL INSTRUCTIONS CONTAINED IN THIS MANUAL CAN RESULT IN SEVERE PROPERTY DAMAGE AND/OR PERSONAL INJURY
- IN NO EVENT WILL WELL TRAVELED LIVING, OR ITS DIRECTORS, OFFICERS OR AGENTS BE LIABLE TO THE PURCHASER OR ANY THIRD PARTY, WHETHER IN CONTRACT, IN TORT, OR ON ANY OTHER BASIS, FOR ANY INDIRECT, SPECIAL, PUNITIVE, EXEMPLARY, CONSEQUENTIAL, OR INCIDENTAL LOSS, COST, OR DAMAGE ARISING OUT OF OR IN CONNECTION WITH THE SALE, MAINTENANCE, USE, OR INABILITY TO USE THE PRODUCT, EVEN IF WELL TRAVELED LIVING OR ITS DIRECTORS, OFFICERS OR AGENTS HAVE BEEN ADVISED OF THE POSSIBILITY OF SUCH LOSSES, COSTS OR DAMAGES, OR IF SUCH LOSSES, COSTS, OR DAMAGES ARE FORESEEABLE. IN NO EVENT WILL WELL TRAVELED LIVING, OR ITS OFFICERS, DIRECTORS, OR AGENTS BE LIABLE FOR ANY DIRECT LOSSES, COSTS OR DAMAGES THAT EXCEED THE PURCHASE PRICE OF THE PRODUCT.
- SOME JURISDICTIONS DO NOT ALLOW THE EXCLUSION OR LIMITATION OF INCIDENTAL OR CONSEQUENTIAL DAMAGES, SO THE ABOVE LIMITATION OR EXCLUSION MAY NOT APPLY TO THE PURCHASER.



Questions, problems, missing parts?

Before returning to your retailer, our exceptional customer service is available. *English & Spanish speaking.*

Email **cservice@welltraveled.net**
 Live chat **www.balkenehome.com** 9 a.m. – 6 p.m., EST, Monday - Friday

Distributed by:
 Costco Wholesale UK Ltd /
 Costco Online UK Ltd
 Hartspring Lane
 Watford, Herts
 WD25 8JS
 United Kingdom
 01923 213113
www.costco.co.uk

MADE IN CHINA
 FABRIQUÉ EN CHINE
 HECHO EN CHINA