



AWNING ORDERING GUIDE



Guide to ordering your Olympus awning



Upon specifying your folding-arm awning system, please refer to the measurement guide on Page 3 to ensure that the correct dimensions are placed for your awning order, to your property. Please note, that this is only applicable to a delivery-only option.



Once you have decided on the dimension requirements, choose the service required – delivery-only or fully installed. Please confirm your order at www.costco.co.uk



It is the customer's / end user's responsibility to research if planning approval is required before installation. Most applications do not require planning approval for folding-arm awning installation. However, this is not the Olympus Group's responsibility to determine.



When you place your order, you'll get to choose the perfect textile colour to suit your style. And as an added bonus, your purchase already includes sleek aluminium powder coating. Take a moment to ensure you've picked the exact colours you want before finalising your order.



Stay in the loop with your Olympus team, as updates and progress will be made at every stage of the process, from the manufacture of your awning to delivery and installation..



Pre-delivery or installation of the awning system ordered it is advised that the Awning Order Guide is reviewed. This will ensure that all requirements have been met, and everything is in place for a smooth and successful installation. Attention to detail will guarantee a hassle-free experience, resulting in the best possible outcome for your project.



When your order is placed, please email site images to costco@theolympusgroup.co.uk so the Olympus customer service team can review the site. We will be on hand to offer advice, no matter the question!



Congratulations on selecting installation! Your awning will be expertly installed on the date provided. Get ready to enjoy your new awning hassle-free! At Olympus, we stand behind our products, offering a solid five-year warranty from the date of delivery and installation. Our products are designed to meet all specifications, free from defects in design, material, and workmanship, and are guaranteed to be of exceptional quality and fit for the intended purpose. We kindly ask our customers to use the products correctly and responsibly. It's important to note that our warranty does not cover on-site labour beyond twelve months or textiles after twelve months for hardware and colour fastness. We are committed to providing top-notch products and exceptional service to our valued customers. Your awning will be delivered on the date as previously agreed.



Your awning will be supplied and delivered on the previously agreed date. Olympus stands behind its products, guaranteeing that they will meet their description and any applicable specifications for a full five years, parts only, from the date of delivery. Our products are designed to be free from defects in design, material, and workmanship, ensuring that they are of the highest quality and suitable for the purpose indicated by the supplier. To ensure the longevity of your purchase, it's essential to use the product correctly and with care. Please note that while our products are built to last, they are not indestructible. We cannot be held liable for damage resulting from fair wear and tear, intentional harm, negligence, or improper handling during unpacking. It's also important to mention that our textiles are covered for twelve months for both structure and colour fastness, with some exclusions from parts warranty.

Maximise your enjoyment of the great outdoors with your stylish awning and create unforgettable memories in your outdoor space.

Survey Guide

The awning back height (installation height)—the desired position of the awning—will be advised/agreed upon based on the best possible fixing points, i.e., no obstructions (downpipes, ariels, header bricks, etc.), and wall strength.

The minimum installation height (from the finished floor level) is advised, as follows:

- 1,500mm projection: 2,830mm
- 2,000mm projection: 2,960mm
- 2,500mm projection: 3,090mm
- 3,000mm projection: 3,220mm
- 3,500mm projection: 3,350mm
- 4,000mm projection: 3,480mm

The above minimum installation height dimensions are based on the awning’s maximum projection extension, and an inclination of 15 degrees, with a minimum front fascia height of 2,200mm. A valance (straight or scalloped edge) is an optional extra, which installs onto the awning’s fascia.

200mm Valance Style

If artwork is required on the valance, there will be an additional cost. Please consult with the team or review the costs published.

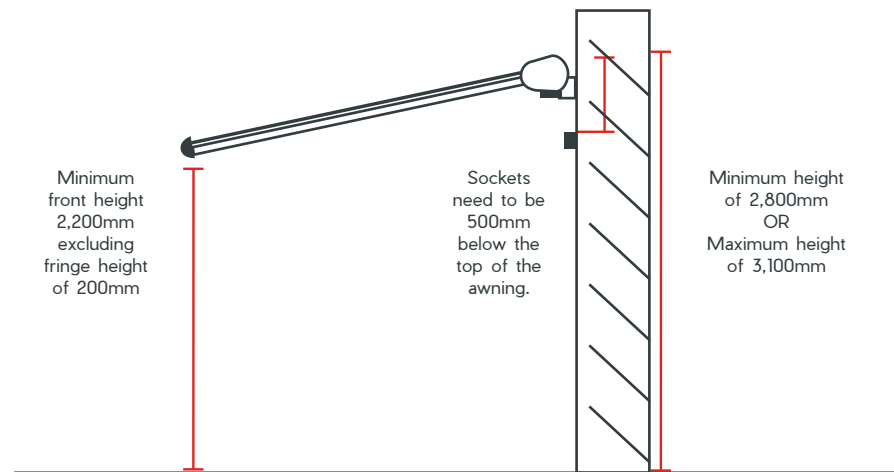
Straight Edge



Scalloped



The illustration shows a folding-arm awning in situ, highlighting the awning width, projection, and fused spur position. The awning motor can be positioned on either the left or right-hand side. This is highlighted as you are facing the awning/building.



Step-by-Step Survey Guide

- Review the wall where the awning is to be installed and allow approximately 300mm to accommodate the awning dimension. Measure the width of the building where the awning is to be installed and allow a minimum of 300mm past any window to achieve efficient shading within the room of the building. Also, note the desired projection of the awning.
- If the building is a single-story elevation, spreader plates will be required to achieve the back height requirement. This is to spread the load of the fixings into the wall structure and not to fix into the header brick, where the wall has limited structural strength. Please also assess if any obstructions, within the desired location such as drainpipes, cables, hanging baskets, etc.

If you feel that any of the above points highlighted do not meet your requirements, please communicate with one of your Olympus team. We can design and fabricate bespoke brackets, such as spreader plates or bungalow brackets, and z-brackets, for your application.

Please liaise with your Olympus team by either emailing costco@theolympusgroup.co.uk or telephone 01204 868 640.

IMPORTANT

- > Your awning will arrive with standard brackets for the installation. If you require bespoke brackets, as highlighted above, in addition to the standard brackets provided, these are available at an additional charge.
- > If heater options are ordered, it is important to install the heater approximately 400mm from the underside of the awning system.

Site Preparation Guide

Before the installation process begins, please review this document for a seamless and secure awning set-up. Understanding these processes is important to keeping safe and having no damage to either the awning or the building.

Please clear the area around where the awning is to be installed. The route from the delivery vehicle to the installation area must be clear, with no obstructions or trip hazards. If there is restricted access to the site, sharp inclinations, or uneven paths, please let your Olympus team know. Our team and/or delivery driver will require unrestricted space to deliver the awning system. Each site is different! Please also include images of the site to enable our team visibility of the site before arrival.

Upon survey, our engineers will review the site. They will communicate if any requirements are needed regarding the access, obstructions, or bespoke brackets. We will also discuss all processes required, including the power needs for motorised awning options. We will politely and respectfully request your support in helping to create a safe and comfortable working area for our team. If you require any further information, please refer to our Site Inspection Guide.

Regarding the electrical requirements for the site and project, please refer to our Awning Electrical Requirement Guide. After installation of the awning system, we will set the limits of the awning (in and out), and test the sensors, lights, and heater (if applicable). If the 5-amp fused spur is not yet installed by the electrician, we will leave the motor tails hanging loose ready for the electrician to connect later.



ROLLER BLINDS



VERTICAL BLINDS



SKYLIGHT BLINDS



BESPOKE BLINDS



AWNINGS



CANOPIES



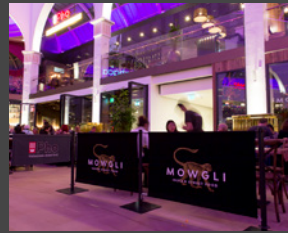
PARASOLS



GLASS PERGOLAS



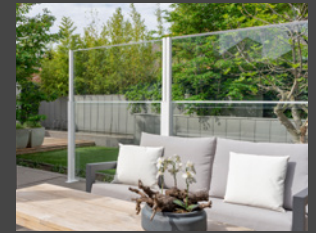
RETRACTABLE ROOFS



BARRIERS



PLANTERS



RETRACTABLE PARAPET GLASS



Email: costco@theolympusgroup.co.uk | Telephone: 01204 868 640