

**Series 6, washing machine,
frontloader fullsize, 9 kg, 1400 rpm
WGG244ZCGB**



Optional accessories

WMZ2200 : Floor securing component
WMZ2381 : Extension for cold water inlet /AquaStop
WMZMPF10 : Microplastic Filter

**Perfect results at the minimum energy and
water consumption, thanks to energy Class
A and ActiveWater Plus.**

- **Iron Assist:** reduce wrinkles up to 50%
- **Iron Assist:** reduce wrinkles up to 50%
- .
- **Best energy class A:** save energy with the most efficient class A.
- **Active Water Plus:** For highly efficient use of water even with smaller loads thanks to automatic load detection.
- **Speed Perfect:** perfectly clean in up to 65% less time
- **Speed Perfect:** perfectly clean in up to 65% less time
- .
- **Anti Stain:** reliably removes four common stains.

Technical Data

Built-in / Free-standing: Free-standing
Door hinge: Left
Length electrical supply cord: 210.0 cm
Height of the appliance: 845 mm
Dimensions of the product: 845x598x590 mm
Wheels: No
Net weight: 72.6 kg
Drum volume: 65 l
Door Frame: Silver-black grey
Connection Rating: 2300 W
Fuse protection: 10 A
Voltage: 220-240 V
Frequency: 50 Hz
ENERGY STAR® certified: No
Cord included: Yes
Plug type: GB plug
Length of supply hose (in): 59.05 "
Dimensions of the packed product: 34.27 x 25.70 x 27.23
Net weight: 160.000 lbs
Gross weight: 162.000 lbs
Length of drain hose: 150.00 cm
Length of supply hose: 150.00 cm
Dimensions of the packed product (HxWxD): 870 x 653 x 691 mm
Gross weight: 73.5 kg
Connection Rating: 2300 W
Fuse protection: 10 A
Voltage: 220-240 V
Frequency: 50 Hz
Water protection system: Multiple water protection
Maximum spin speed: 1400 rpm
Spin speed options: Variable
Digital countdown indicator: Yes
Progress indicator: LED, LED-display
Energy Efficiency Class (Regulation (EU) 2017/1369): A
Weighted energy consumption in kWh per 100 washing cycles of eco 40-60 programme: 49 kWh
Maximum capacity in kg: 9.0 kg
The water consumption of the eco programme in liters per cycle: 50 l
Duration of eco 40-60 programme in hours and mins at rated capacity: 3:48 h
Spin-drying efficiency class of eco 40-60 programme: B
Airborne acoustical noise emission class: A
Airborne acoustical noise emissions : 71 dB(A) re 1pW



**Series 6, washing machine, frontloader
fullsize, 9 kg, 1400 rpm
WGG244ZCGB**

**Perfect results at the minimum energy and
water consumption, thanks to energy Class
A and ActiveWater Plus.**

Engine Power and Consumption

- Energy Efficiency Class¹: A
- Energy² / Water³: 49 kWh / 50 litres
- Load capacity: 9 kg
- Programme duration⁴: 3:48 h:min
- Spin drying efficiency class: B
- Spin power / spin speed^{**}: 0 - 1400 U/min
- Noise level: 71 dB (A) re 1 pW
- Noise efficiency class: A

Programmes

- standard programmes: cottons, easy care, delicate/silk, wool / hand wash
- Iron Assist: Steam programme that reduces wrinkles on dry clothes
- Special programmes: Drum Clean (with reminder), ironAssist, Hygiene, Jeans, Spin / Drain, Family Mix, sportswear, single rinse, Quick 15'/30'

Options

- SpeedPerfect: perfectly clean in up to 65% less time. ***
- Stain automatic – 4 stain removal options at the touch of a button
- TouchControl buttons: Easy Iron, end time delay, stain selection, start/pause with reload function, Temperature, SpeedPerfect, Prewash, Spin speed selection, Water & Rinse Plus/Rinse hold

comfort and safety

- Reload function: Be flexible in adding laundry items even after start of the wash cycle.
- Large LED-Display for programme status indication, max. spin speed, remaining time, 24 h end time delay and load recommendation
- Hygiene / Hygiene Plus: clean laundry and killing germs effectively
- Drum volume: 65 l
- Usage meter: counts completed programmes
- interior drum light: LED
- VarioDrum: gentle and efficient washing
- DrumClean with reminder function
- 32 cm porthole, silver-black grey with 165° opening door
- pause / reload function
- EcoSilence Drive: quiet motor with long lifetime
- 10 years guaranty on EcoSilence Drive
- ActiveWater Plus: for highly efficient use of water even with smaller loads thanks to automatic load detection.
- AntiVibration Design: more stability and quietness
- Aqua Protection
- soft dial
- Foam detection system to remove excessive foam
- Unbalanced load detection
- Child-proof lock
- Buzzer at the end of the programme
- Easy Cleaning Drawer
- Divider for Liquid Detergent

Technical Information

- Slide-under height of 85cm
- Dimensions (H x W): 84.5 cm x 59.8 cm
- Appliance depth: 59.0 cm
- Appliance depth incl. door: 63.6 cm
- Appliance depth with open door: 107.3 cm

¹ Scale of Energy Efficiency Classes from A to G

² Energy consumption in kWh per 100 cycles (in programme Eco 40-60)

³ Weighted water consumption in litres per cycle (in programme Eco 40-60)

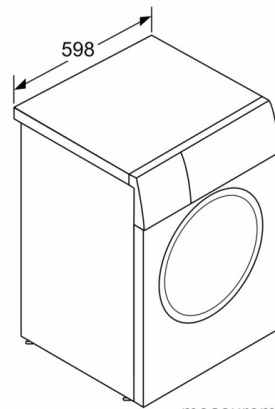
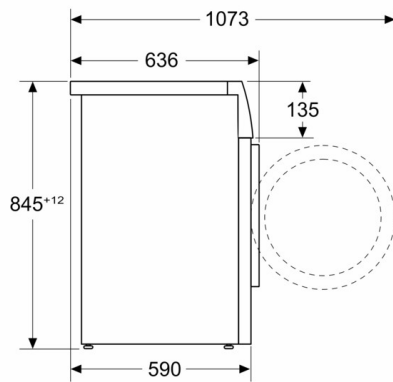
⁴ Duration of programme Eco 40-60

** Values are rounded.

*** Comparison between the program duration of Easy-care 40°C and the program duration of Easy-care 40°C + activated Speed option

**Series 6, washing machine, frontloader
fullsize, 9 kg, 1400 rpm
WGG244ZCGB**

Measurements in mm



measurements in mm